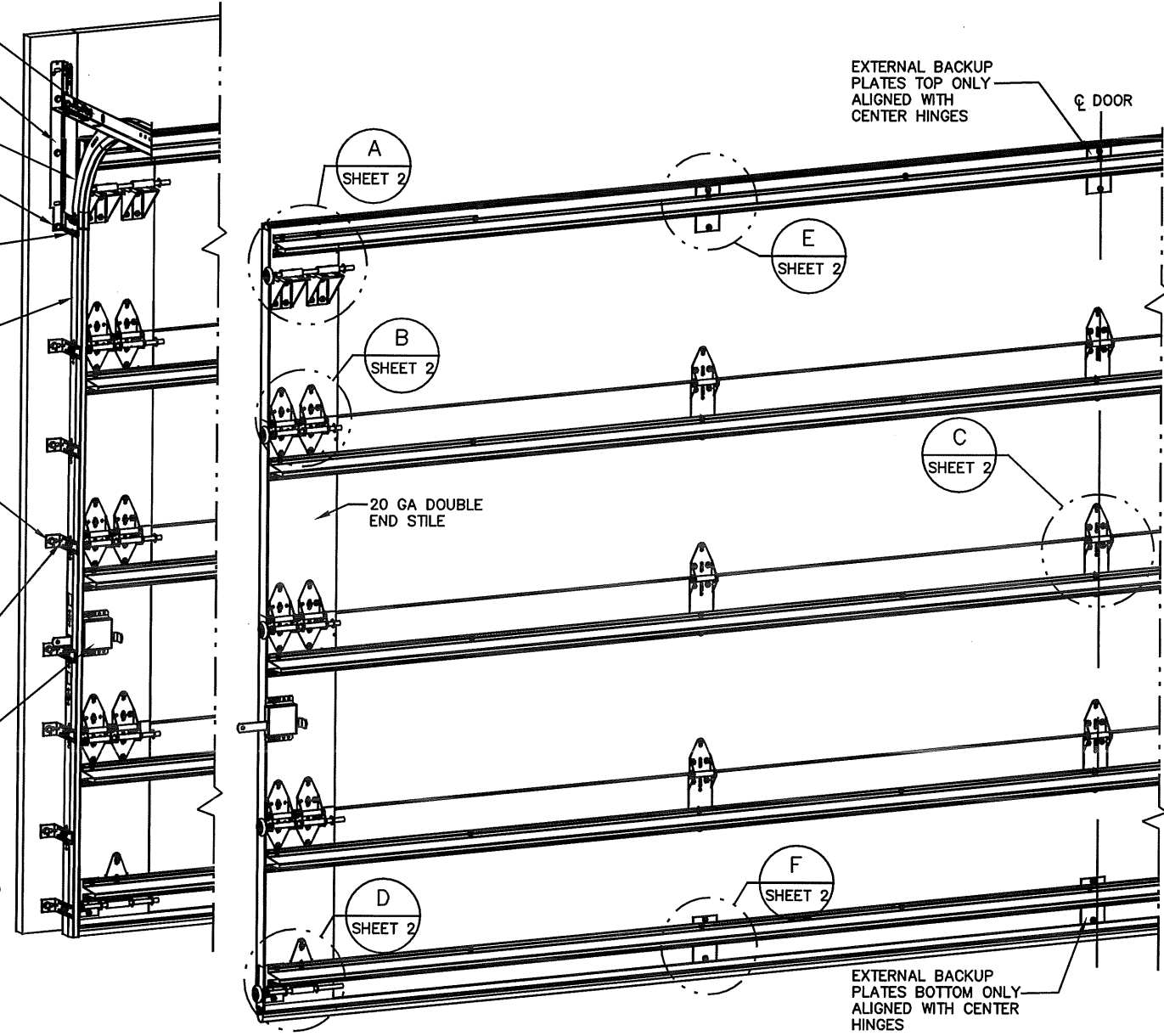


NOTES:

1. IMPACT RESISTANT GLAZING OPTION (SEE PAGE 3) - 1/4" IMPACT RESISTANT POLYCARBONATE IN ALUMINUM FRAMES SCREWED TOGETHER WITH DIMENSIONS SHOWN IN TABLE, INSTALLED IN TOP OR INTERMEDIATE SECTION (WITH OR WITHOUT DECORATIVE INSERT) MEETS UNIFORM STATIC WIND PRESSURES SHOWN ON THIS DRAWING. GLAZING IS IMPACT RESISTANT AND MEETS THE REQUIREMENTS FOR WIND-BORNE DEBRIS REGIONS.
2. NON-IMPACT RESISTANT GLAZING OPTION (SEE PAGE 3) - .090" MINIMUM SSB ANNEALED GLAZING IN MOLDED FRAMES SCREWED TOGETHER WITH DIMENSIONS SHOWN IN TABLE, INSTALLED IN TOP OR INTERMEDIATE SECTION (WITH OR WITHOUT DECORATIVE INSERTS) MEETS UNIFORM STATIC WIND PRESSURES SHOWN ON THIS DRAWING. GLAZING IS NOT IMPACT RESISTANT AND DOES NOT MEET THE REQUIREMENTS FOR WIND-BORNE DEBRIS REGIONS.
3. VINYL OR WOOD DOOR STOP NAILED A MAXIMUM OF 6" O.C. MUST OVERLAP TOP AND BOTH ENDS OF PANELS MINIMUM 7/16" TO MEET NEGATIVE PRESSURES.
4. KEY LOCK, SLIDE LOCK, OR OPERATOR REQUIRED.
5. FACER STEEL TO HAVE A MINIMUM 29 GA THICKNESS AND BACKER STEEL TO HAVE A MINIMUM 29 GA THICKNESS.
6. EACH SECTION HAS AN INTERNAL 1"WIDE X 20 GA CONTINUOUS STEEL STRIP AT THE TOP AND BOTTOM OF THE SECTION.
7. THE DESIGN OF THE SUPPORTING STRUCTURAL ELEMENTS SHALL BE THE RESPONSIBILITY OF THE PROFESSIONAL OF RECORD FOR THE BUILDING OR STRUCTURE AND IN ACCORDANCE WITH CURRENT BUILDING CODES FOR THE LOADS LISTED ON THIS DRAWING.
8. DOOR JAMB TO BE MINIMUM 2x6 STRUCTURAL GRADE LUMBER. REFER TO JAMB CONNECTION SUPPLEMENT FOR ATTACHMENT TO SUPPORTING STRUCTURE.
9. FOR LOW HEAD ROOM LIFT CONDITIONS, TOP BRACKET SHALL BE A 13 GA LHR 7/4 TOP BRACKET WITH A MINIMUM OF (3) 1/4-20x3/4" SELF DRILLING CRIMP TITE SCREWS IN LIEU OF THE BRACKET SHOWN ON THIS DRAWING. U-BAR ON TOP SECTION SHALL BE INSTALLED ON TOP OF LHR TOP BRACKETS.

- 13 GA HORIZ ANGLE
- 13 GA FLAG ANGLE
- 16 GA MIN HORIZ TRACK
- 5/16x1-5/8" LAG SCREW (MIN 3 AS SHOWN)
- (4) 1/4-20x9/16" LARGE HEAD TRACK BOLTS OR 1/4-20 STUDS WITH 1/4-20 HEX NUTS
- 15 GA MIN VERT TRACK
- 1/4-20x9/16" TRACK BOLT AND 1/4-20 HEX NUT AT EACH JB-US JAMB BRACKET LOCATION
- 5/16x1-5/8" LAG SCREW AT EACH JAMB BRACKET
- 15 GA STIFFENED JAMB BRACKETS SEE SCHEDULE FOR QUANTITY, LOCATION, AND TYPE
- KEY LOCK OR SLIDE LOCK EACH END (NOT REQUIRED WITH OPERATOR - SEE NOTE 4). SLIDE LOCK SHOWN FOR CLARITY

NOTE: (4) SECTION SOLID DOOR SHOWN. SEE NOTES 1 & 2 THIS SHEET FOR GLAZING OPTIONS.



REVISIONS

P1 REVISED MODELS PER WLOOB SW 9/14/2020
REV A - UPDATED DRAWING TO SHOW GLAZING CROSS-SECTION TLC 4/5/21
REV B - UPDATED PER PCR 32769 SW 2/16/22

SUPERIMPOSED DESIGN PRESSURE LOADS ON SUPPORTING STRUCTURE

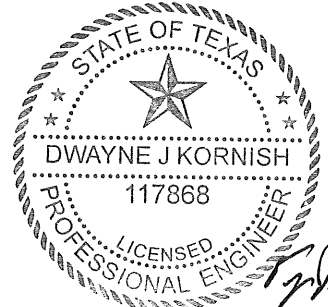
DOOR WIDTH	DOOR HEIGHT	UNIFORM LOAD EACH JAMB (PLF)
17'-2"	ALL	+197.4/-214.6
18'-2"	ALL	+208.9/-227.1

JAMB BRACKET SCHEDULE

DOOR HEIGHT	NO. OF SECTIONS	NO. OF JAMB BRACKETS (EACH JAMB)	LOCATION OF CENTERLINE OF JAMB BRACKETS MEASURED FROM BOTTOM OF TRACK (ALL DIMENSIONS ± 2")
6'-6"	4	7	2" (JB-US), 10" (JB-US), 21-3/4" (JB-US), 29-3/4" (JB-US), 39" (JB-US), 48" (JB-US), 57-1/4" (JB-US)
7'-0"	4	7	2" (JB-US), 10" (JB-US), 21-3/4" (JB-US), 29-3/4" (JB-US), 42" (JB-US), 52-1/2" (JB-US), 63-1/4" (JB-US)
7'-6"	4 OR 5	8	2" (JB-US), 10" (JB-US), 18-3/4" (JB-US), 26-3/4" (JB-US), 36" (JB-US), 45" (JB-US), 54-1/4" (JB-US), 74-1/2" (JB-US)
8'-0"	4 OR 5	8	2" (JB-US), 10" (JB-US), 21-3/4" (JB-US), 29-3/4" (JB-US), 39" (JB-US), 48" (JB-US), 57-1/2" (JB-US), 75-1/2" (JB-US)
> 8'-0"			SEE NOTE BELOW

NOTE: (JB-US) FOLLOWING DIMENSION DENOTES SLOTTED JAMB BRACKET ATTACHED TO TRACK WITH 1/4-20x9/16" TRACK BOLT AND NUT AS SHOWN ABOVE. ALL DOORS GREATER THAN 8' IN HEIGHT REQUIRE USE OF CONTINUOUS WALL ANGLE. SEE SUPPLEMENT TRACK CHART FOR DETAILS.

COMPLIES WITH THE REQUIREMENTS OF IBC/IRC 2018.



DWAYNE J. KORNISH, PE
4576 COUNTY ROAD 160
MOUNT HOPE, OHIO
FL PE 77945
TX PE 117868

PROFESSIONAL ENGINEER'S SEAL PROVIDED ONLY FOR VERIFICATION OF WINDLOAD CONSTRUCTION DETAILS.

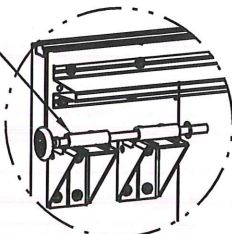
The Genuine. The Original.

A DIVISION OF OVERHEAD DOOR CORP
3395 ADDISON DRIVE
PENSACOLA, FLORIDA 32514
(850) 474-9890

STATIC PRESSURE RATINGS	APPROVED SIZES	SCALE: N.T.S.	SIZE: A
DESIGN (PSF): +23.00/-25.00	MAX WIDTH: 18'-2"	DATE	NAME
TEST (PSF): +34.50/-37.50	MAX HEIGHT: 24'-0"	DRAWN	SW
IMPACT/CYCLIC RATED (YES/NO): YES	MAX SECTION HEIGHT: 24"	CHECKED	TLC
MODELS 190/490/160/593/594/591/592/596/599/5740/5760/7560	SHEET 1 OF 3		
WINDLOAD SPECIFICATION OPTION CODE 2251	DRAWING PART NO.	REV.	
	411720	B	

REVISIONS

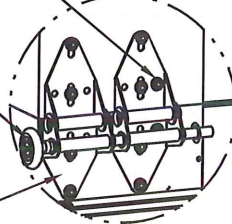
(2) 12 GA COMMERCIAL TOP FRAME BRACKETS WITH 13 GA ROLLER CARRIERS EACH ATTACHED WITH (4) 1/4-20x3/4" SELF DRILLING SCREWS



DETAIL A

ADD (2) 1/4-20x3/4" SELF DRILLING SCREWS (INSIDE OF EACH INSIDE END HINGE)

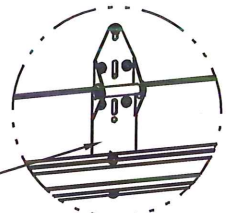
2" STEEL ROLLER WITH 9" GRADE 1144 OR EQUIVALENT STEM AND 7/16" PUSH NUT AT EACH ROLLER LOCATION. 1/4" MAX BETWEEN PUSH NUT AND OUTER HINGE. (OPTIONAL: BALL BEARING NYLON ROLLER).



DETAIL B

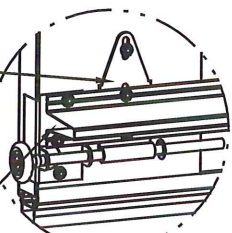
(2) 13 GA WIDE BODY END HINGES EACH ATTACHED WITH (4) 1/4-20x3/4" SELF DRILLING SCREWS.

14 GA WIDE BODY EXTENDED HINGE ATTACHED WITH (7) 1/4-20x3/4" SELF DRILLING SCREWS. (2 THROUGH STRUT AND HINGE)



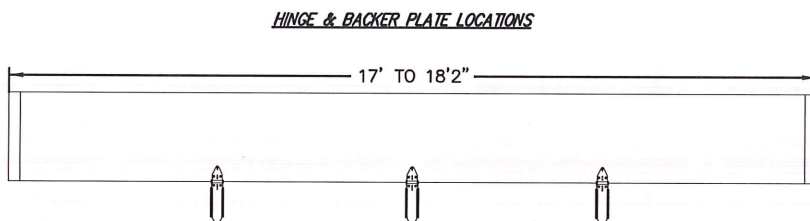
DETAIL C

12 GA EXTENSION BRACKET ATTACHED WITH (3) 1/4-20x3/4" SELF DRILLING SCREWS (2 THROUGH STRUT AND BRACKET)



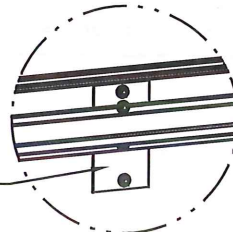
DETAIL D

14 GA BOTTOM BRACKET ATTACHED WITH (3) 1/4-20x3/4" SELF DRILLING SCREWS (2 THROUGH STRUT AND BRACKET)



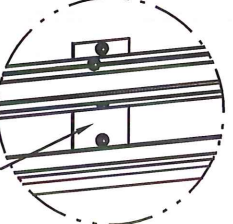
HINGE & BACKER PLATE LOCATIONS

20 GA BACK PLATE ATTACHED WITH DOUBLE SIDED TAPE AND (2) 1/4-20x3/4" SELF DRILLING SCREWS AT TAPE LOCATION. UBAR ATTACHED WITH (2) 1/4-20x3/4" THROUGH STRUT AND PLATE.

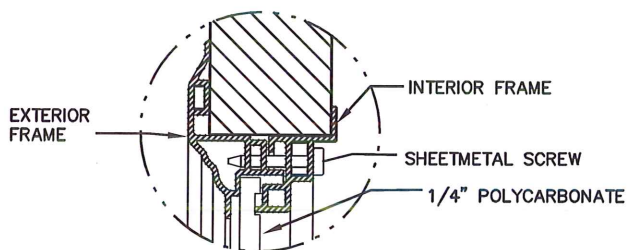


DETAIL E

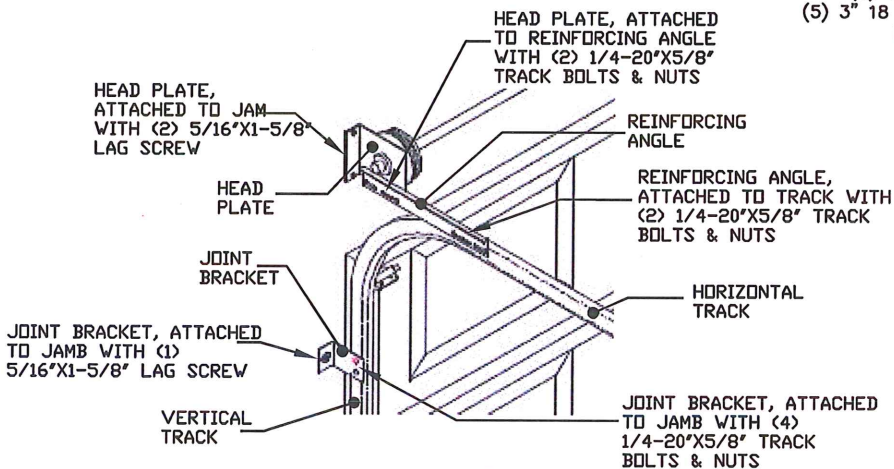
20 GA BACK PLATE ATTACHED WITH DOUBLE SIDED TAPE AND (2) 1/4-20x3/4" SELF DRILLING SCREWS AT TAPE LOCATION. UBAR ATTACHED WITH (2) 1/4-20x3/4" THROUGH STRUT AND PLATE.



DETAIL F

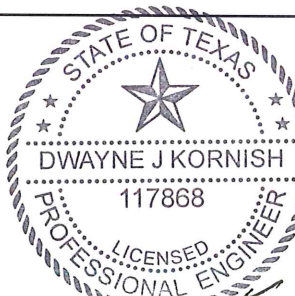
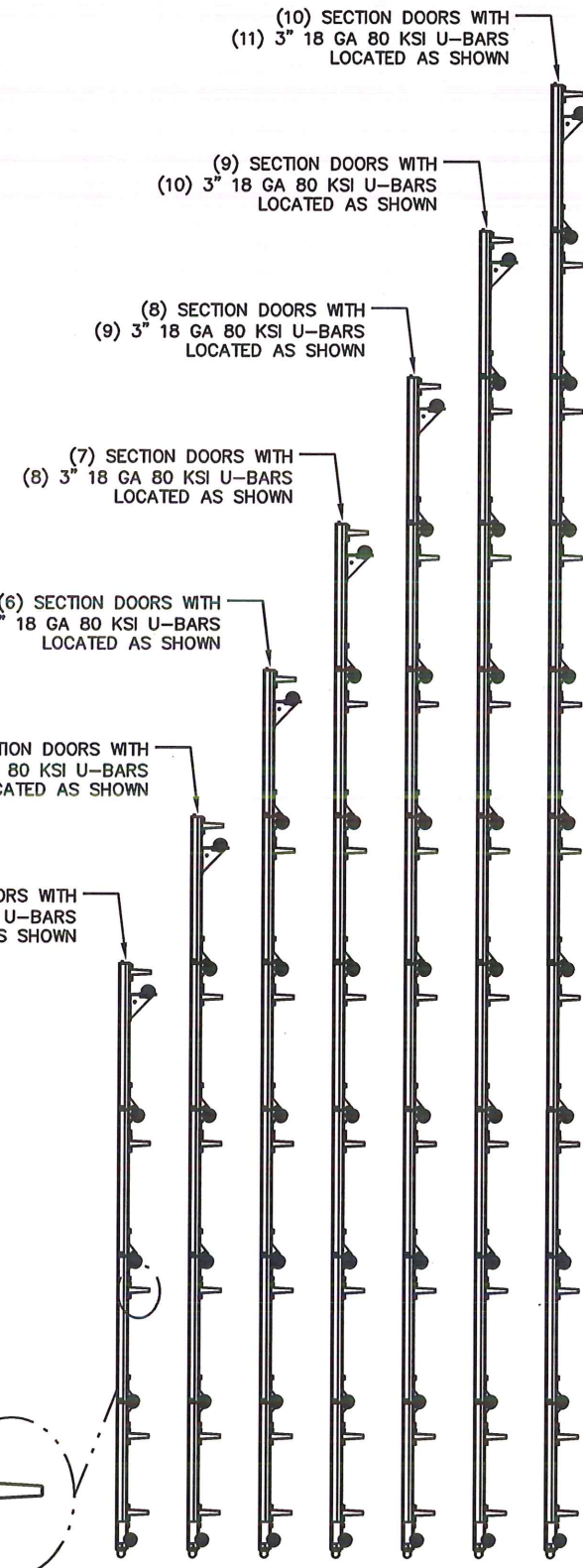


DETAIL G



OPTIONAL 2-PIECE TRACK DETAIL

ALL U-BARS SHALL BE ATTACHED WITH (2) 1/4-20x3/4" SELF DRILLING SCREWS AT EACH HINGE LOCATION AND HALF WAY BETWEEN ALL HINGES. A MINIMUM OF (18) FASTENERS ARE TO BE USED.



DWAYNE J. KORNISH, PE
4576 COUNTY ROAD 160
MOUNT HOPE, OHIO
FL PE 77845
TX PE 117868

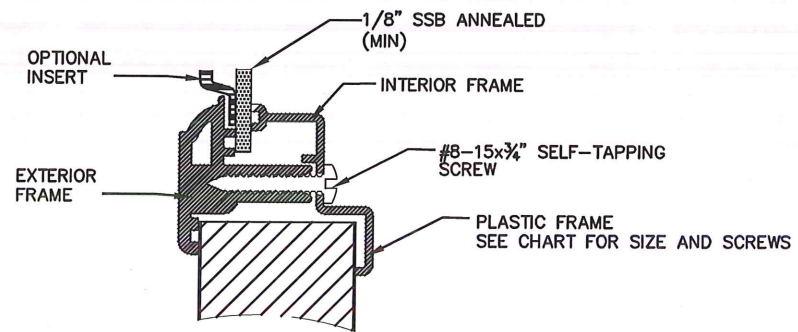
PROFESSIONAL ENGINEER'S SEAL PROVIDED ONLY FOR VERIFICATION OF WINDLOAD CONSTRUCTION DETAILS.

The Genuine. The Original.

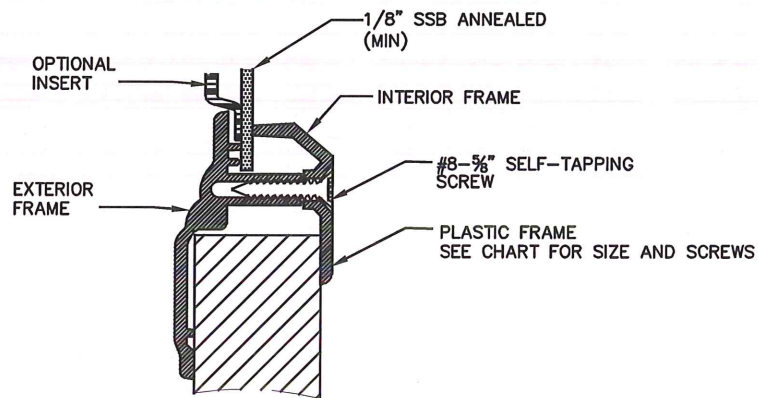


A DIVISION OF OVERHEAD DOOR CORP
3395 ADDISON DRIVE
PENSACOLA, FLORIDA 32514
(850) 474-9890

STATIC PRESSURE RATINGS	APPROVED SIZES	SCALE: N.T.S.	SIZE: A
DESIGN (PSF): +23.00/-25.00	MAX WIDTH: 18'-2"	DATE	NAME
TEST (PSF): +34.50/-37.50	MAX HEIGHT: 24'-0"	DRAWN	SW
IMPACT/CYCLIC RATED (YES/NO): YES	MAX SECTION HEIGHT: 24"	CHECKED	TLC
MODELS 190/490/160/593/594/591/592/596/599/5740/5760/7560	SHEET 2 OF 3		
WINDLOAD SPECIFICATION OPTION CODE 2251		DRAWING PART NO.	REV.
		411720	B

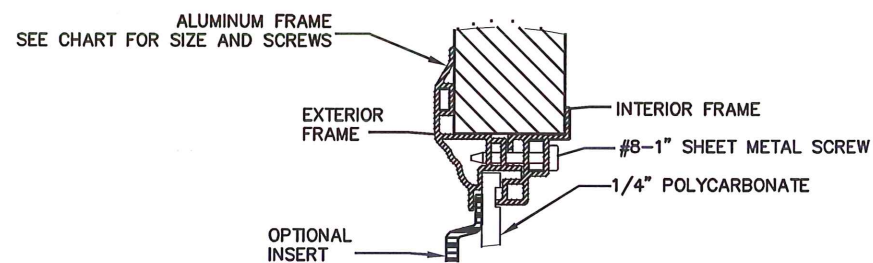


DETAIL I
NON-IMPACT GLAZING

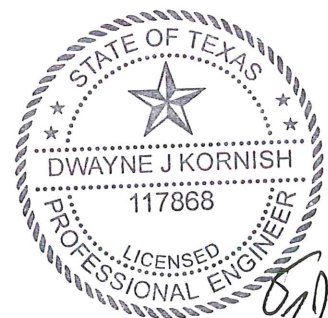


DETAIL J
NON-IMPACT GLAZING

OUTSIDE FRAME SIZE	DAYLIGHT OPENING (DLO)	SCREW QTY EA HORIZ LEG	SCREW QTY EA VERT LEGS	SCREW QTY TOTAL	DETAIL
17"X51"	14X48	5	3	16	I
15.1X44"	11.5"X40.5"	8	3	22	J
14.9X20.8"	11"X17"	3	3	12	J
7"X40.8	4"X37.8"	5	2	14	J
15.3"X44.1"	11.3"X40.1"	6	3	18	K
14.6"X20.8"	10.6"X16.8"	3	2	10	K
13"X38"	9"X34"	5	2	14	K



DETAIL K
IMPACT GLAZING



DWAYNE J. KORNISH, PE
4576 COUNTY ROAD 160
MOUNT HOPE, OHIO
FL PE 77945
TX PE 117868

PROFESSIONAL ENGINEER'S SEAL PROVIDED ONLY FOR VERIFICATION OF WINDLOAD CONSTRUCTION DETAILS.

The Genuine. The Original.



A DIVISION OF OVERHEAD DOOR CORP
3395 ADDISON DRIVE
PENSACOLA, FLORIDA 32514
(850) 474-9890

STATIC PRESSURE RATINGS	APPROVED SIZES	SCALE: N.T.S.	SIZE: A
DESIGN (PSF): +23.00/-25.00	MAX WIDTH: 18'-2"	DATE	NAME
TEST (PSF): +34.50/-37.50	MAX HEIGHT: 24'-0"	DRAWN	SW
IMPACT/CYCLIC RATED (YES/NO): YES	MAX SECTION HEIGHT: 24"	CHECKED	TLC
MODELS 190/490/160/593/594/591/592/596/599/5740/5760/7560		SHEET 3 OF 3	
WINDLOAD SPECIFICATION OPTION CODE 2251		DRAWING PART NO.	REV.
		411720	B