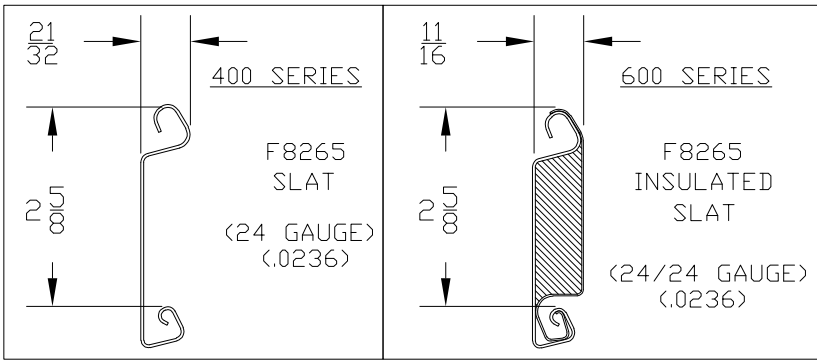
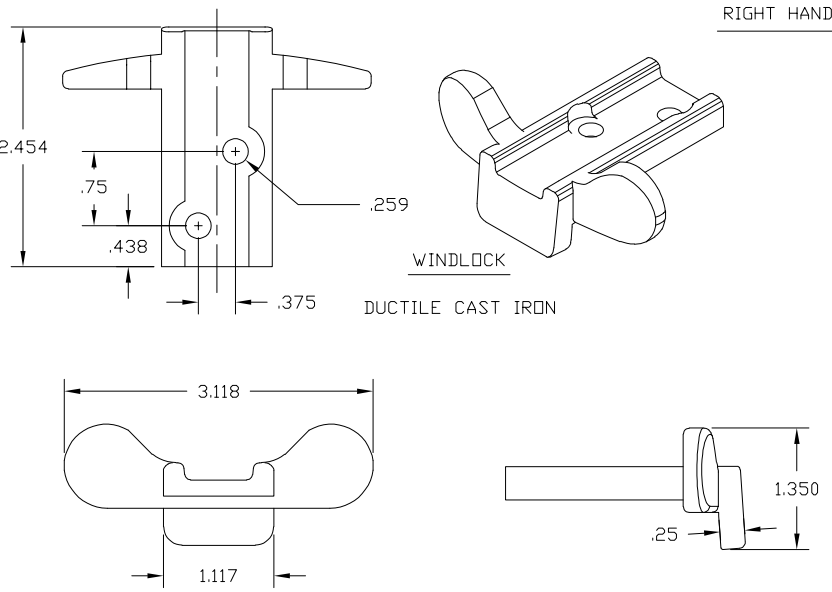
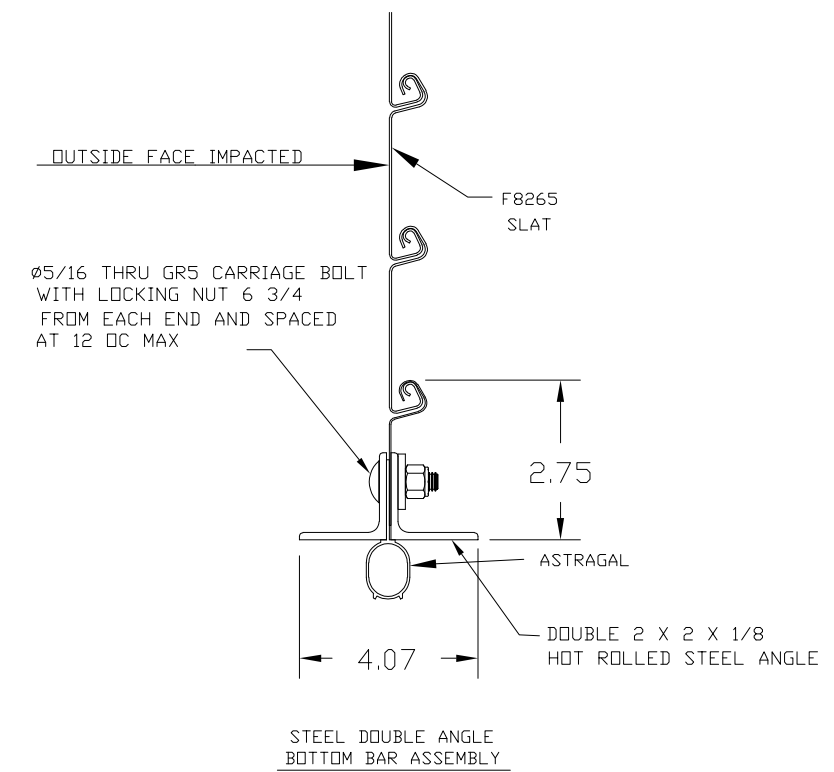


**ALLOWABLE TRANSVERSE DESIGN WIND LOADS  
NON-IMPACT & IMPACT RATED SERIES 400/600 DOORS  
(PSF)**

MAX OPENING WIDTH	MAX OPENING HEIGHT	DESIGN LOAD NON-IMPACT RATED (PSF)	DESIGN LOAD IMPACT RATED (PSF)
9'-0"	30'-0"	+97.7/-106.6	+55.0/-60.0
10'-0"	30'-0"	+88.0/-96.0	+55.0/-60.0
11'-0"	30'-0"	+80.0/-87.3	+55.0/-60.0
12'-0"	30'-0"	+73.3/-80.0	+55.0/-60.0
13'-0"	30'-0"	+67.6/-73.8	+55.0/-60.0
14'-0"	30'-0"	+62.8/-68.6	+55.0/-60.0
15'-0"	30'-0"	+58.6/-64.0	+55.0/-60.0
16'-0"	30'-0"	+55.0/-60.0	+55.0/-60.0
17'-0"	30'-0"	+49.0/-53.5	+28.8/-31.5
18'-0"	30'-0"	+45.0/-49.1	+28.8/-31.5
19'-0"	30'-0"	+41.2/-45.0	+28.8/-31.5
20'-0"	30'-0"	+37.7/-41.2	+28.8/-31.5
21'-0"	30'-0"	+35.0/-38.2	+28.8/-31.5
22'-0"	30'-0"	+32.0/-35.0	+28.8/-31.5
23'-0"	30'-0"	+30.2/-33.0	+28.8/-31.5
24'-0"	30'-0"	+28.8/-31.5	+28.8/-31.5
25'-0"	30'-0"	+27.0/-29.6	N/A
26'-0"	30'-0"	+25.4/-27.8	N/A
27'-0"	30'-0"	+24.0/-26.3	N/A
28'-0"	30'-0"	+22.7/-24.8	N/A
29'-0"	30'-0"	+21.5/-23.5	N/A
30'-0"	30'-0"	+20.4/-22.3	N/A
31'-0"	30'-0"	+19.4/-21.2	N/A
32'-0"	30'-0"	+18.4/-20.2	N/A

REVISIONS			
REV	DESCRIPTION	DATE	APPROVAL
—	DRAWING RELEASE	8-2-19	SR
A	ADDED CONCRETE JAMBS	10-14-19	SR
B	ADD'L PRESSURES & CMU JAMBS	12-14-19	SR
C	REVISE PRESSURE TABLE	6-1-20	SR
D	ADDED NOTE #15	11-18-20	SR



ASTM A653 GR 40 ZINC COATED STEEL  
PRE-PAINTED WITH FULL COAT OF PRIMER AND BAKED SILICONIZED POLYESTER FINISH COAT  
INSULATION FOAM IN PLACE  
POLYURETHANE

John E. Scates, P.E.  
2560 King Arthur Blvd, Ste 124-54  
Lewisville, TX 75056  
FL PE 51737  
TX PE 56308 / F2203

Professional Engineer's seal provided only for verification of windload construction details.

SEE SHEET 2 FOR NOTES

**CERTIFIED WIND LOAD AND IMPACT RATED  
400/600 SERIES ANGLE GUIDES ROLL-UP DOOR  
ASSEMBLY F8265 SLAT**

UNLESS OTHERWISE SPECIFIED, DIMENSIONS ARE IN INCHES AND TOLERANCES ARE: <b>ANGLES</b> ± 0° 30' <b>DECIMAL</b> .XX ±.03 .XXX ±.005 <b>FRACTIONS</b> ± 1/16 <b>HOLE DIAMETERS</b> UNDER .251 +.004 -.003 .251 TO .500 +.006 -.003 OVER .500 +.008 -.003	APPROVALS DRAWN <b>LAMAR TOWE</b> CHECKED <b>SCOTT ROBILLARD</b>	DATE <b>8-2-19</b> <b>8-15-19</b>	APPROVALS APPROVED <b>SCOTT ROBILLARD</b>	DATE <b>8-15-19</b>	PART NUMBER <b>NA</b>	DRAWING NUMBER <b>400-IM-WL-C</b>
	THESE CONFIDENTIAL DOCUMENTS SUBMITTED BY JANUS CONTAIN INFORMATION OF A PROPRIETARY NATURE AND MAY NOT BE REPRODUCED OR USED TO MANUFACTURE ANYTHING IN PART OR IN WHOLE FOR ANY PURPOSE OTHER THAN THAT WHICH IS NECESSARY FOR PREPARATION OF BIDS OR ENGINEERING WITHOUT THE EXPRESS PERMISSION OF JANUS WHICH MAY RECALL DOCUMENTS AT ANY TIME.					MATERIAL <b>NA</b>
		UNIT OF MEASURE	SIZE	SCALE	SHEET OF	REV
		NA	<b>B</b>	NONE	1 2	D



ASTA Door Corporation  
638 Cassville White Rd NW  
Cartersville, GA 30121  
(770) 562-2850 Fax: (770) 562-1991  
Web Site: www.astadoor.com

