

NOTE: Track configuration above the door opening does not affect the wind load rating of the door.

Door Height 8' - 0" Shown
See chart below for other door heights

Door Width 10' - 2" Shown
See chart below for other door widths

This product has been evaluated per ANSI/DASMA 108 for static air pressure.

Door Widths Up To	Design Pressures		End Backers	Model Number					
	+ psf	- psf		HT_80 & 2_80 SERIES		HT_70 & 2_70 SERIES		HT_33 & 2_33 SERIES	
				Minimum Center Stiles	Minimum Center Hinges	Minimum Center Stiles	Minimum Center Hinges	Minimum Center Stiles	Minimum Center Hinges
8'-2"	26.5	-30.0	Single	1	1	1	1	1	1
9'-2"	23.6	-26.7	Single	1	1	1	1	1	1
10'-2"	21.3	-24.1	Single	2	2	1	1	2	2

This product is designed and sold by PSF. The AHJ or Engineer of Record is responsible for determining the PSF required for any given site.

Jamb bracket quantities shown are for use with grade 2 or better southern pine jambs.
Supporting structural elements are to be designed by a registered professional engineer for specific wind loads.

Door Height	Total No. of Sections	Total # of Struts (When lite section is the top section. If not see the notice at the right)	Jamb Brkts/ Side
6'-0"	3	3	2
6'-0"	4	4	2
6'-3"	4	4	2
6'-6"	4	4	3
6'-9"	4	4	3
7'-0"	4	4	3
7'-3"	4	4	3
7'-6"	4	4	3
7'-6"	5	5	3
7'-9"	4	4	3
7'-9"	5	5	3
8'-0"	4	4	3
8'-0"	5	5	3

NOTICE: These drawings are a supplement to the installation instructions for a standard door and only covers those procedures that vary from standard door installation. If these specific procedures are not followed, the door may not perform as designed.

NOTICE: The only lite configurations available per section are shown on sheet 3 of 4. These configurations can be placed at different locations in the section. The lite sections of this door may be replaced with a solid section. In all cases the strut and stile configuration should remain the same.

John E. Scates, P.E.
2560 King Arthur Blvd. Ste 124-54
Lewisville, Texas 75056
Texas P.E. 56308/F2203

COMPLIES WITH IBC/IRC 2018 Professional Engineer seal provided only for verification of wind load construction details.

Maximum section height is 24 in.
Maximum door height is 20 ft.

All doors, even those above the tested height, are available with jamb brackets or commercial full angle. The maximum spacing of the jamb brackets/track clips should be maintained.

DESCRIPTION:
10' 2" HT 600, 700, 2000 & 800 SERIES W/LITES
WIND LOAD SECTIONAL DOOR
DESIGN PRESSURE +21.3/-24.1 PSF

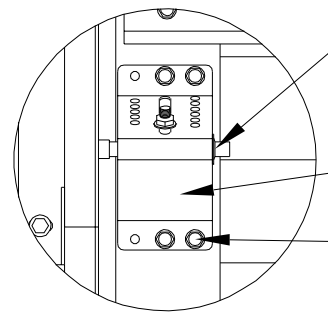
DRAWING NO.: WLT-0600-0122-08-21-24L1 **REV.:** A

DRAWN BY: MVS **DATE DRAWN:** 10/24/18 **REV. DATE:** 3/3/22

MODEL(S): See Sheet 3 **SHEET: 1 OF 4**

A

A

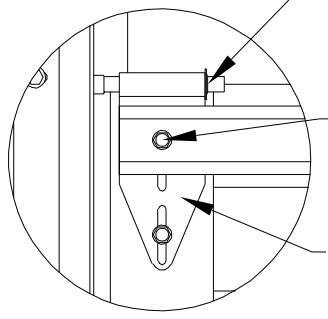


PUSH NUT
7/16"
See DETAIL K for push nut placement.

ADJUSTABLE TOP FIXTURE
12 Ga

TEK SCREW
1/4" X 3/4" Hex Washer Head Self Drilling (4 per Bracket)

DETAIL A

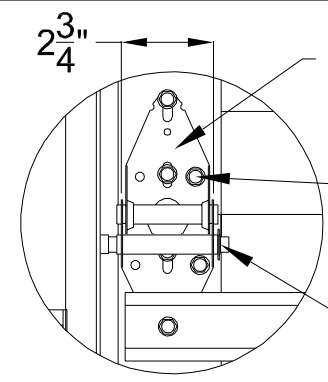


PUSH NUT
7/16"
See DETAIL K for push nut placement.

TEK SCREW
1/4" X 3/4" Hex Washer Head Self Drilling (2 per Bracket)

LOW HEADROOM TOP BRACKET - 12 Ga

LOW HEADROOM TOP BRACKET

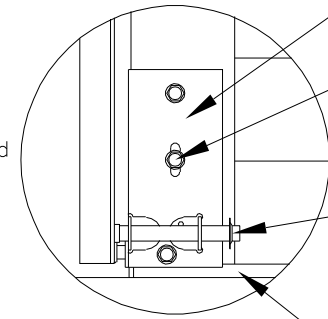


END HINGE
14 Ga Galvanized Steel Minimum

TEK SCREW
1/4" X 3/4" Hex Washer Head Self Drilling (6 per Hinge)

PUSH NUT
7/16"
See DETAIL K for push nut placement.

DETAIL B



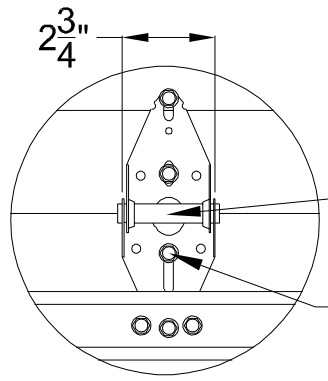
BOTTOM BRACKET
13 Ga Galvanized Steel

TEK SCREW
1/4" X 3/4" Hex Washer Head Self Drilling (3 per Bottom Bracket)

PUSH NUT
7/16"
See DETAIL K for push nut placement.

BOTTOM SEAL

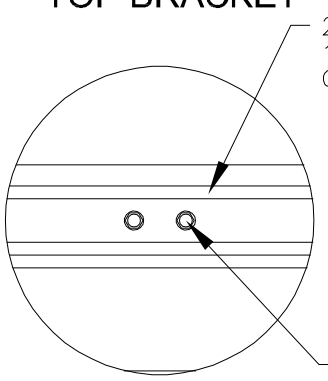
DETAIL C



INTERMEDIATE HINGE
18 or 14 Ga Galvanized Steel

TEK SCREW
1/4" X 3/4" Hex Washer Head Self Drilling (4 per Hinge)

DETAIL D

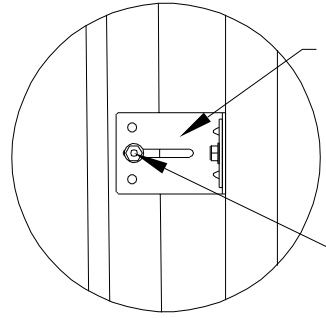


2 1/4" x 2 3/4" E STRUT
18 Ga 70 KSI Minimum Galvanized Steel

TEK SCREW
1/4" x 3/4" Hex Washer Head Self Drilling (1 per End Stile & 2 per Intermediate Stile)

NOTE: 3 Screws Required at Intermediate Hinge Location

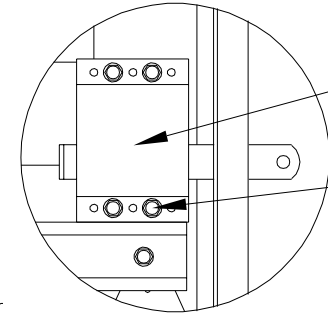
DETAIL E



JAMB BRACKET
12 Ga Galvanized Steel

BOLT & NUT
1/4-20 X 5/8" Carriage Bolt & 1/4-20 Hex Washer Nut (1 per Jamb Bracket)

DETAIL F

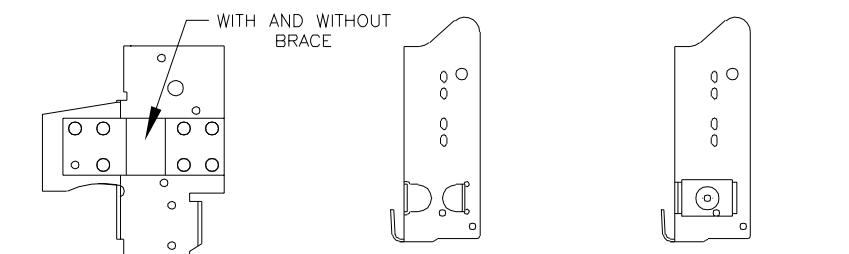


SLIDE LOCK or LOCK BARS
(not required with operator)

TEK SCREW
1/4" X 3/4" Hex Washer Head Self Drilling (4 per Slide Lock)

DETAIL G

NOTE: Details on some views omitted for clarity. Double end stiles and end hardware may be provided on wider or heavier doors.



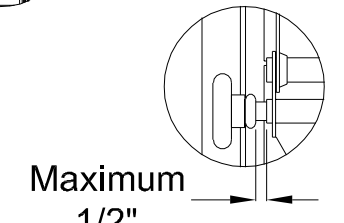
RESIDENTIAL & LIGHT COMMERCIAL
For Low Headroom With 2" Track and Single End Stiles

COMMERCIAL
For Standard, High & Vertical Lift With 2" Track and Single End Stiles

COMMERCIAL
For Standard, High & Vertical Lift With 3" Track and Single End Stiles

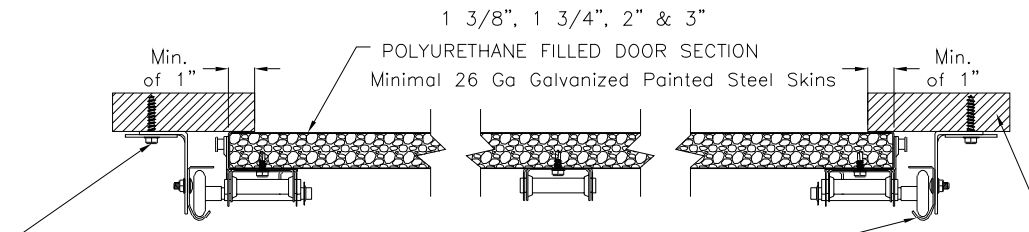
ALTERNATE BOTTOM BRACKETS

NOTE: The bottom bracket tested (shown in DETAIL C) is the lightest bracket available.



DETAIL K

Maximum 1/2"
There should be a space of maximum 1/2" between the roller hub and the outside edge of the roller holder which is set by the push nut.



1 3/8", 1 3/4", 2" & 3"

Min. of 1"

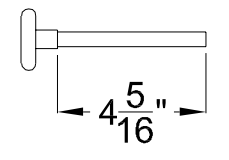
POLYURETHANE FILLED DOOR SECTION
Minimal 26 Ga Galvanized Painted Steel Skins

Min. of 1"

BOLT & WASHER
5/16" X 1 5/8" Lag Bolt & 2" O.D. x 7/16" I.D. Flat Washer
NOTE: Jamb bracket must be in direct contact with the 2x6 (No drywall allowed).
NOTE: The flat washer is not required for angle mount.

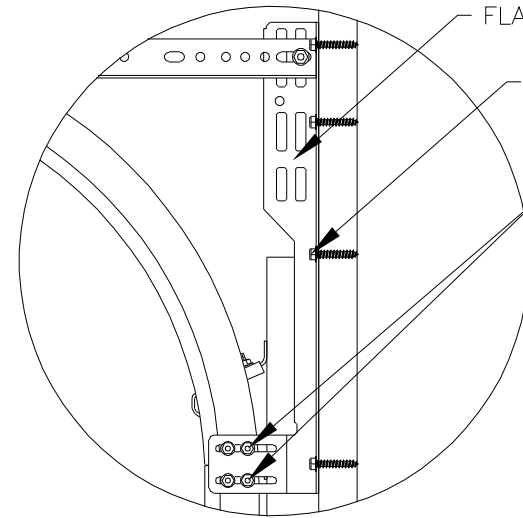
VERTICAL TRACK - 2" Nominal
13 Ga Galvanized Steel tested. 3" Nominal 13 Ga is also approved as an alternate.

WOOD JAMB
The vertical wood jamb fasteners may be counter sunk to provide a flat mounting surface. See jamb attachment details on sheet 3 for attaching jambs to the structure.



ROLLER

2" Diameter Nominal Eleven Ball Nylon or Ten Ball Steel with a Minimum Workable Shaft Length Shown.



FLAG BRACKET

BOLT
5/16 X 1 5/8" Lag Bolt (4 per Flag Bracket).

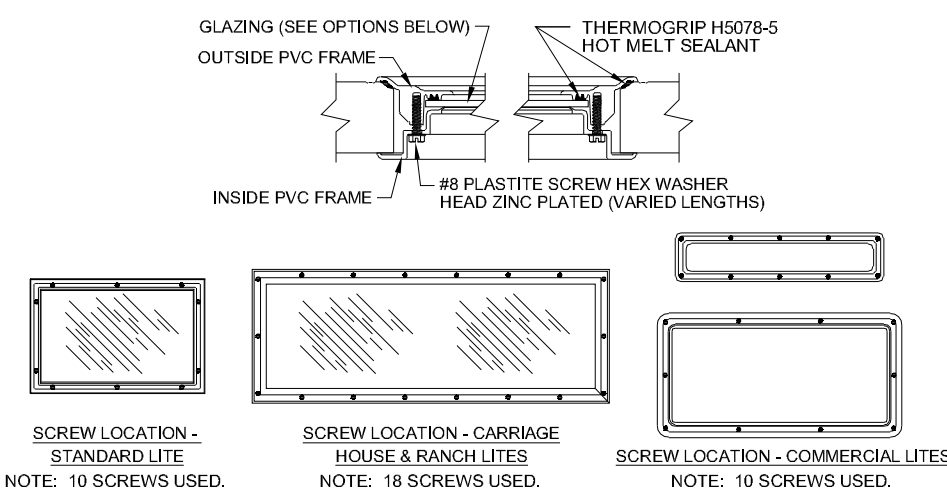
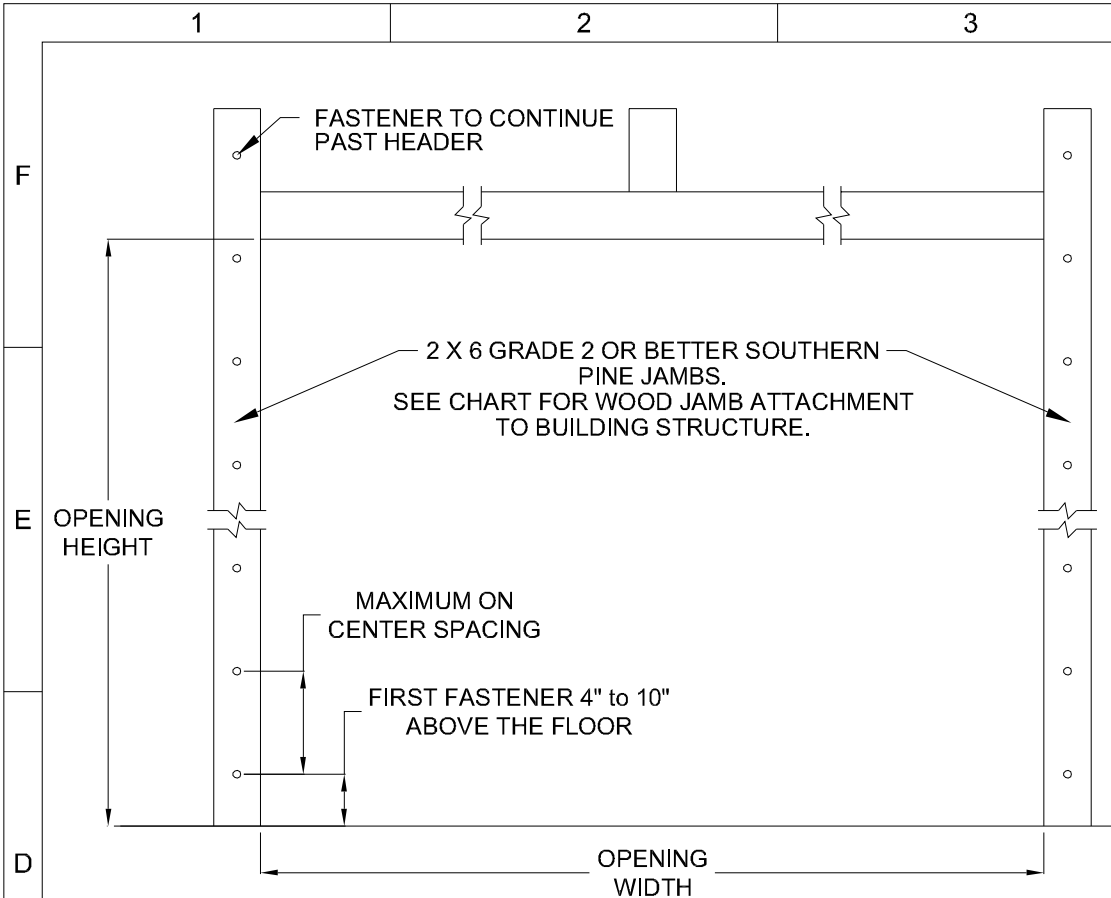
BOLT & NUT
1/4-20 X 5/8" Track Bolt & 1/4-20 Hex Washer Nut (2 for Horizontal & 2 for Vertical Track)

DETAIL H

John E. Scates, P.E.
2560 King Arthur Blvd. Ste 124-54
Lewisville, Texas 75056
Texas P.E. 56308/F2203

Professional Engineer seal provided only for verification of wind load construction details.

<p>320 Sycamore Wauseon, Ohio 43567 © Copyright 2014</p>	<p>DESCRIPTION: 10' 2" HT 600, 700, 2000 & 800 SERIES W/LITES WIND LOAD SECTIONAL DOOR DESIGN PRESSURE +21.3/-24.1 PSF</p>	
	<p>DRAWING NO.: WLT-0600-0122-08-21-24L1</p>	<p>REV. A</p>
	<p>DRAWN BY: MVS</p>	<p>DATE DRAWN: 10/24/18</p>
	<p>MODEL(S): See Sheet 3</p>	<p>REV. DATE: 3/3/22</p>
		<p>SHEET: 2 OF 4</p>



GLAZING DETAIL

NOTE: GLAZING IS AVAILABLE IN $\frac{1}{8}$ " ANNEALED GLASS, $\frac{1}{8}$ " THICK TEMPERED GLASS, $\frac{1}{2}$ " INSULATED GLASS UNITS CONSISTING OF TWO PIECES OF $\frac{1}{8}$ " THICK TEMPERED GLASS AND A $\frac{1}{4}$ " SPACER, $\frac{1}{8}$ " ACRYLIC (SABIC INNOVATIVE PLASTICS) AND $\frac{1}{8}$ " POLYCARBONATE (LEXAN OR MAKROLON/TUFFAK). THE DAY LIGHT OPENING (DLO) OF EACH LITE OPTION IS LISTED IN THE MODEL NUMBERS AND LITE OPTIONS CHART ON SHEET 3 OF 4.

MODEL NUMBERS AND LITE OPTIONS

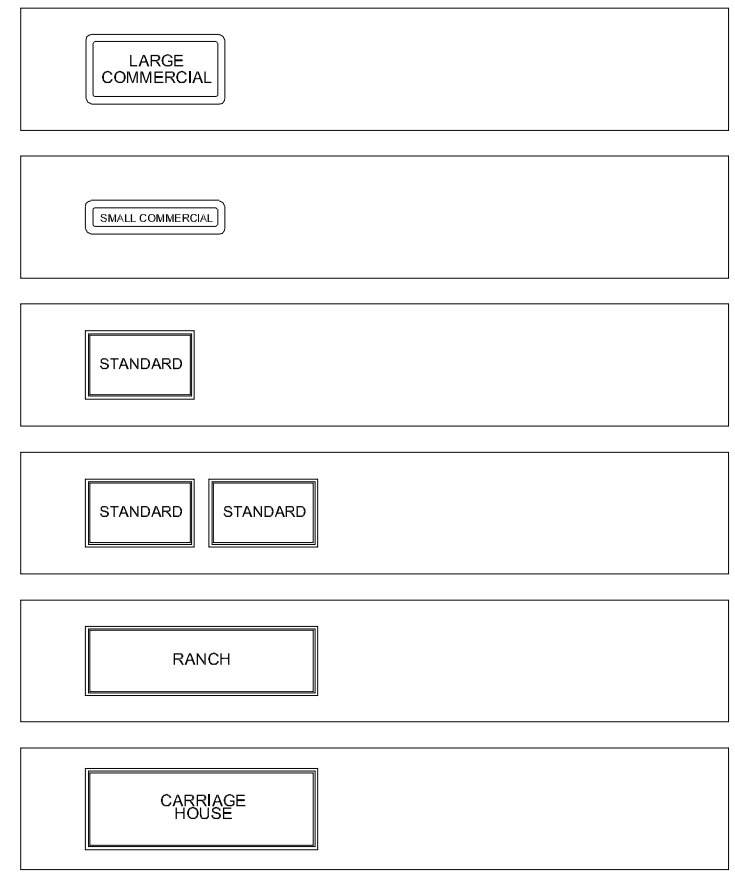
MODEL NUMBERS AVAILABLE	LITE OPTIONS AVAILABLE				
	CARRIAGE HOUSE	RANCH	STANDARD	LARGE COMMERCIAL 24 x 12	SMALL COMMERCIAL 24 x 6
HT _14 & 2_14 SERIES				X	X
HT _16 & 2_16 SERIES				X	X
HT _32 & 2_32 SERIES				X	X
HT _33 & 2_33 SERIES				X	X
HT _10 & 2_10SERIES	X			X	X
HT _12 & 2_12 SERIES				X	X
HT _70 & 2_70 SERIES		X			
HT _80 & 2_80 SERIES			X		
HT _90 & 2_90 SERIES			X		
	38 1/2" x 12 5/8"	38 1/2" x 10 1/2"	17 1/4" x 10 1/4"	21 1/2" x 9 1/2"	21 1/2" x 3 1/4"
DAY LIGHT OPENING (DLO) - WIDE x TALL					

WOOD JAMB ATTACHMENT						
Building Structure	Fastener Type	Minimum Embedment	Minimum Edge Distance	Minimum on Center Spacing	Maximum on Center Spacing	Allowable Tension Load
Min. 2500 PSI to 4000 PSI Concrete	Tapcon + (PLUS) 1/4" w/ 1" OD washer	2"	2.50"	5.00"	24"	551
Southern Pine	3/8" Lag w/ 1 1/8" OD washer	1.50"	1.50"	1.50"	24"	620
Spruce Pine Fir	3/8" Lag w/ 1 1/8" OD washer	1.50"	1.50"	1.50"	24"	482

NOTE: 2X6 mounted to the wall must be Southern Pine Grade 2 or better.

AVAILABLE LITE CONFIGURATIONS

NOTE: THE LITE LOCATIONS BELOW ARE STANDARD FOR EACH LITE SIZE. THE LITES MAY BE LOCATED IN OTHER POSITIONS IN THE SECTIONS BUT THE NUMBER PER SECTION CANNOT BE MORE THAN SHOWN.



John E. Scates, P.E.
2560 King Arthur Blvd. Ste 124-54
Lewisville, Texas 75056
Texas P.E. 56308/F2203

Professional Engineer seal provided only for verification of wind load construction details.

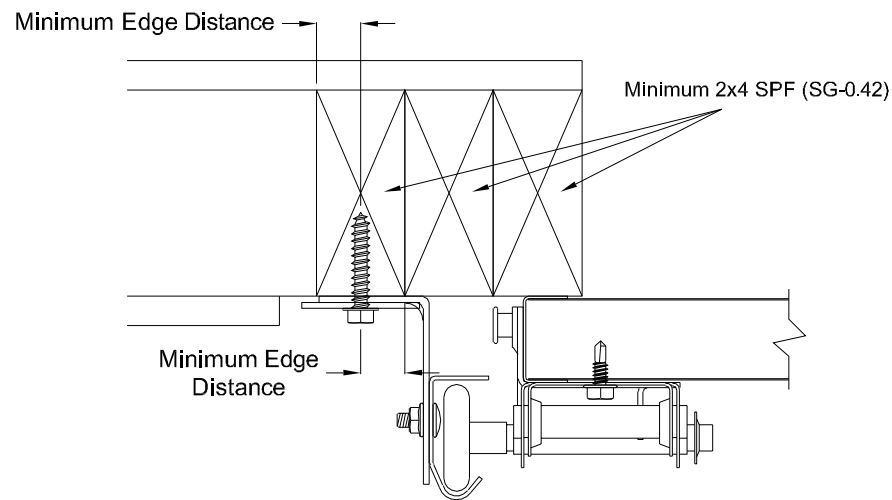
DESCRIPTION:
10' 2" HT 600, 700, 2000 & 800 SERIES W/LITES
WIND LOAD SECTIONAL DOOR
DESIGN PRESSURE +21.3/-24.1 PSF

DRAWING NO.: WLT-0600-0122-08-21-24L1 **REV.** A

DRAWN BY: MVS **DATE DRAWN:** 10/24/18 **REV. DATE:** 3/3/22

MODEL(S): See Sheet 3 **SHEET: 3 OF 4**

320 Sycamore
Wauseon, Ohio 43567
© Copyright 2014



Direct Wood Mounting Detail

Bracket Mount Shown, Reverse and Continuous Angle Mount Also Approved As Alternate.

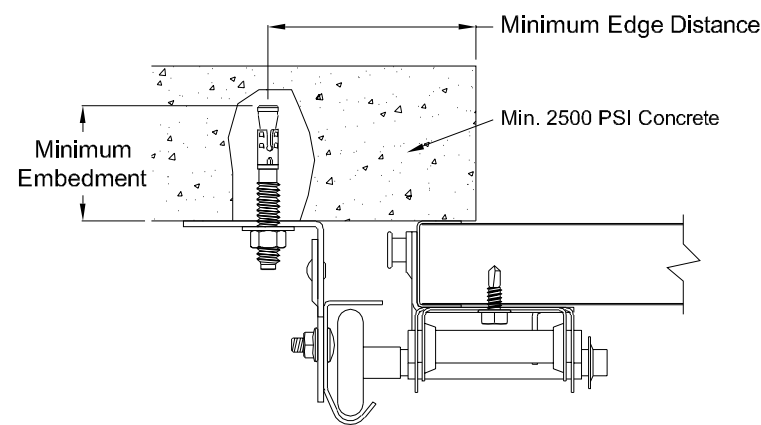
439 lbs. per anchor allowable load

5/16" Dia. Lag Screw w/1-1/8" O.D. Flat Washer (shall conform to ANSI/ASME standard B18.2.1)

Minimum Screw Length: Spruce-Pine-Fur (SPF) - 2-1/2"
Southern Pine - 1-5/8"

Minimum Edge Distance: 1/2"

Maximum on Center Spacing: 24"



Direct Concrete Mounting Detail

Continuous Angle Clip Mount Shown, Bracket and Reverse Continuous Angle Mount Also Approved As Alternate.

831 lbs. per anchor allowable load

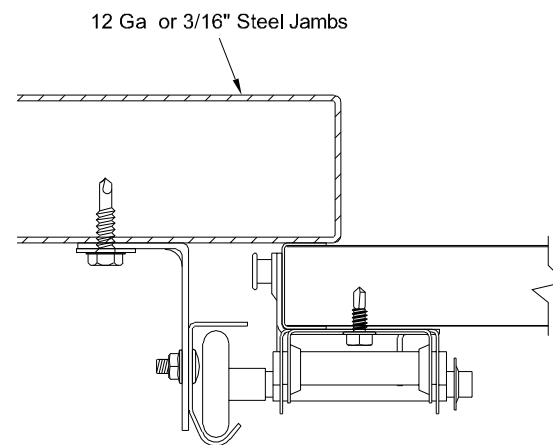
3/8" Dia. Ankr-Tite CCAT w/1-1/8" O.D. Flat Washer (by Wej-It Fastening Systems)

Minimum Embedment: 2-5/8"

Minimum Edge Distance: 2-1/2"

Minimum on Center Spacing: 6"

Maximum on Center Spacing: 24"



Direct Steel Mounting Detail

Bracket Mount Shown, Reverse and Continuous Angle Mount Also Approved As Alternate.

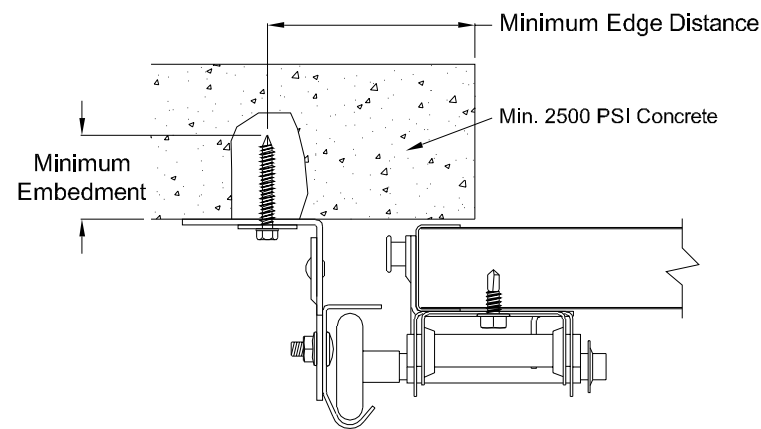
232 lbs. per anchor allowable load - 12 Ga Ste569el

lbs. per anchor allowable load - 3/16" Ga Steel

5/16"-12 Tek Self-Drilling Screw w/9/16" O.D. Flat Washer

12 Ga Maximum on Center Spacing: 24"

3/16" Maximum on Center Spacing: 24"



Direct Concrete Mounting Detail

Continuous Angle Clip Mount Shown, Bracket and Reverse Continuous Angle Mount Also Approved As Alternate.

562 lbs. per anchor allowable load

1/4" Dia. Concrete Self-Tapping & Wedge Anchor w/1" O.D. Flat Washer (Includes Tapcon+ (by ITW), Wedge-Bolt+ (by Powers Fasteners) & Red Head

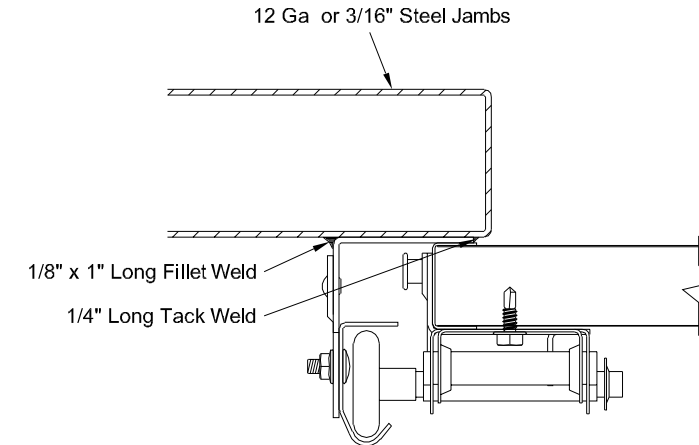
TruBolt wedge anchor (by ITW))

Minimum Embedment: 2"

Minimum Edge Distance: 2-1/2"

Minimum on Center Spacing: 5"

Maximum on Center Spacing: 24"



Direct Steel Mounting Detail

Reverse Continuous Angle Clip Mount Shown, Continuous Angle Mount Also Approved As Alternate.

1272 lbs. per anchor allowable load

1/8" Nom. x 1" Long Fillet and 1/4" Long Tack Weld (E60xx Electrodes Min.)

Welds performed by a certified welder or inspected by a certified welding inspector to verify integrity of the welds.

Maximum on Center Spacing: Apply welds at each roller location not to exceed 24"

John E. Scates, P.E.
2560 King Arthur Blvd. Ste 124-54
Lewisville, Texas 75056
Texas P.E. 56308/F2203

Professional Engineer seal provided only for verification of wind load construction details.



DESCRIPTION:
10' 2" HT 600, 700, 2000 & 800 SERIES W/LITES
WIND LOAD SECTIONAL DOOR
DESIGN PRESSURE +21.3/-24.1 PSF

DRAWING NO.: WLT-0600-0122-08-21-24L1 **REV.:** A

DRAWN BY: MVS **DATE DRAWN:** 10/24/18 **REV. DATE:** 3/3/22

MODEL(S): See Sheet 3 **SHEET: 4 OF 4**

320 Sycamore
Wauseon, Ohio 43567
© Copyright 2014