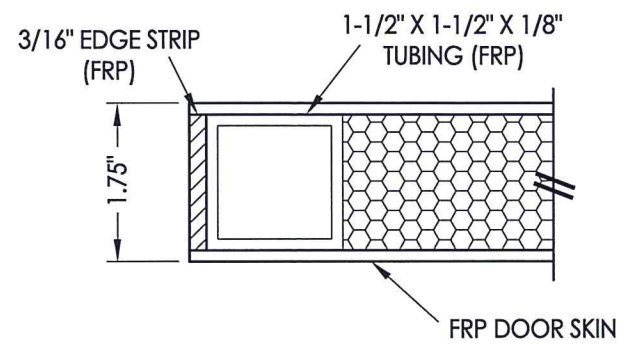
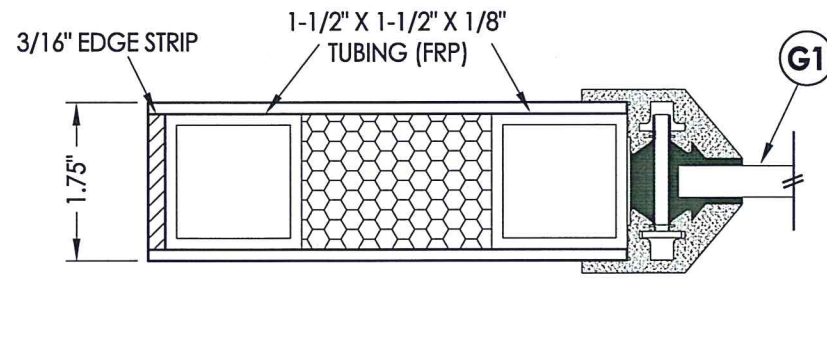


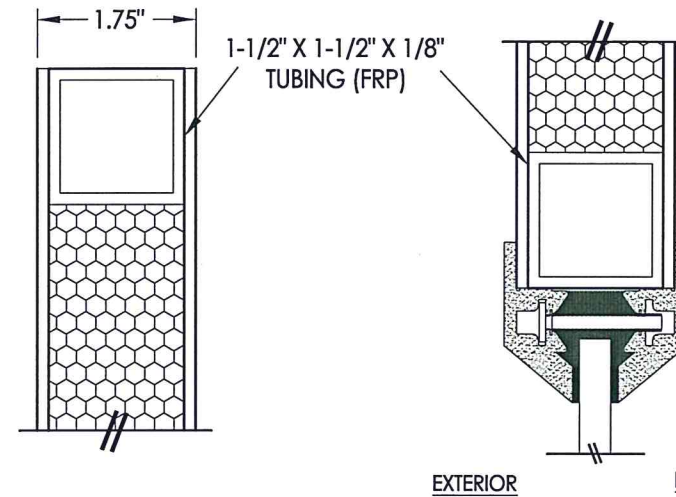
Z:\Clients\Senneca\B - Texas Dept of Ins\Tiger Door\DR 982 Tiger Fiberglass Door - Non-Impact\Drawings\TX-4844.45.46 REV.dwg



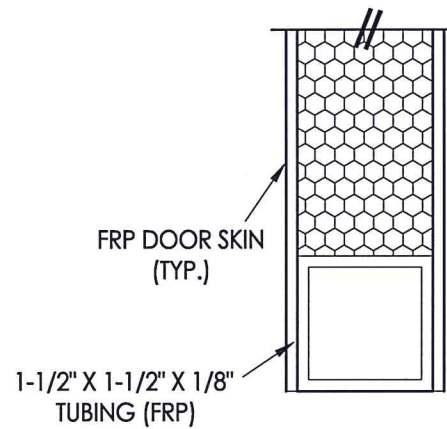
1 HORIZONTAL CROSS SECTION



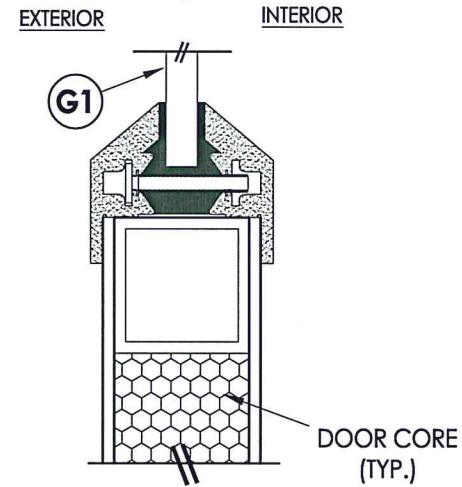
2 HORIZONTAL CROSS SECTION



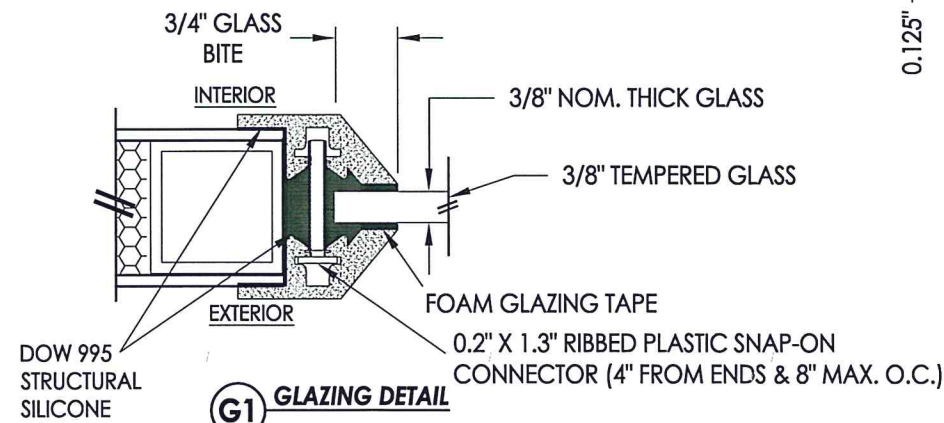
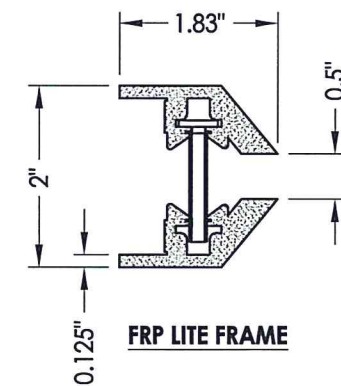
3 VERTICAL CROSS SECTION



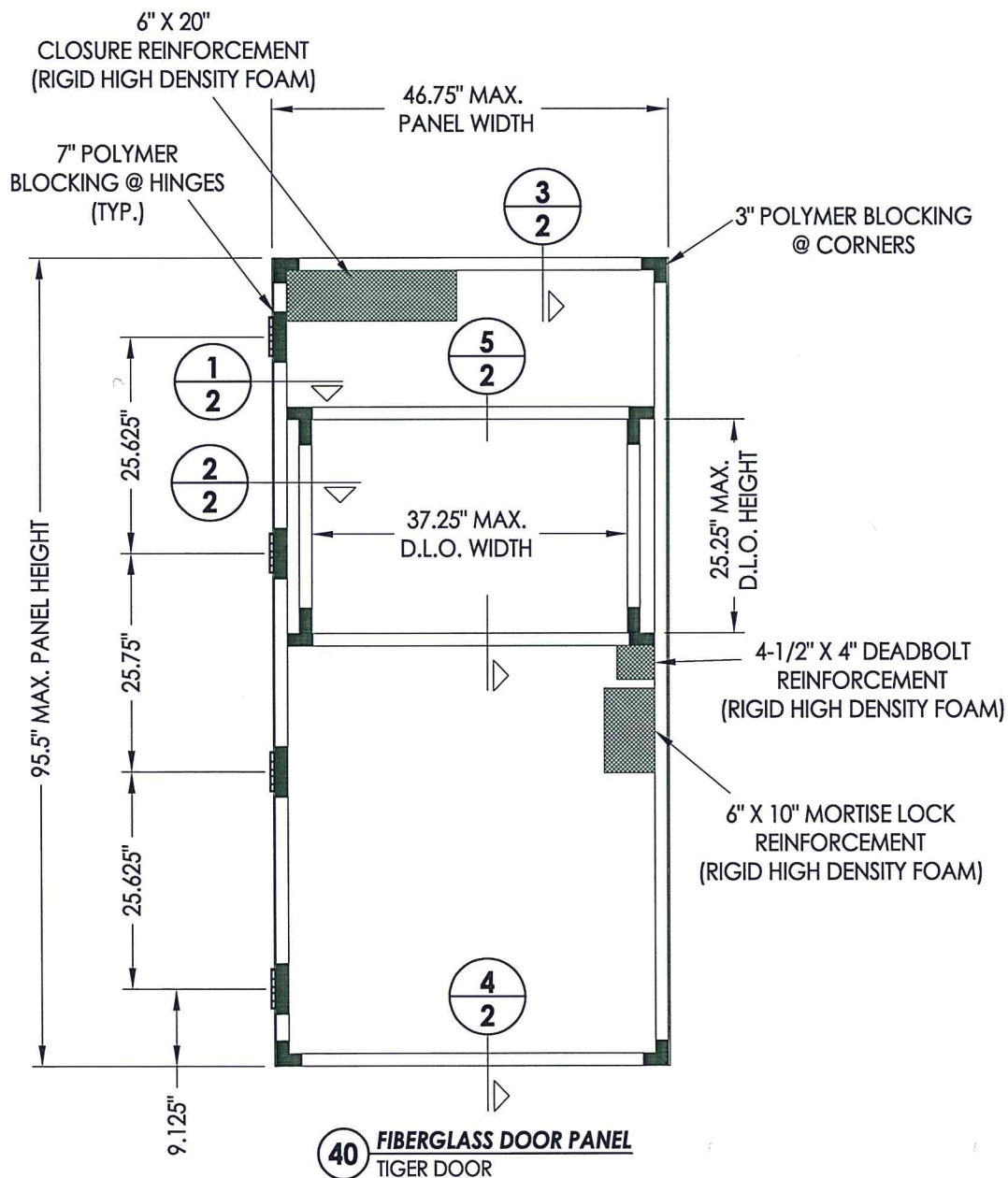
4 VERTICAL CROSS SECTION



5 VERTICAL CROSS SECTION

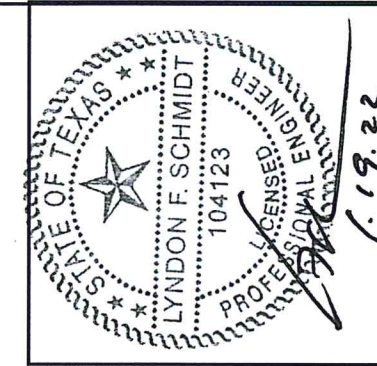


G1 GLAZING DETAIL



40 FIBERGLASS DOOR PANEL TIGER DOOR

DOOR SKIN: 0.125" MIN. THICKNESS
DOOR CORE: POLYPROPYLENE HONEYCOMB



Documents Prepared By: Lyndon F. Schmidt, P.E.
TEXAS P.E. #104123

RW BUILDING CONSULTANTS, INC.
P.O. Box 230 Valrico FL 33595
Phone No.: 813.659.9197

CERTIFICATE OF REGISTRATION # F-11852

PRODUCT:	FIBERGLASS DOOR
PART OR ASSEMBLY:	DOOR PANEL DETAILS
DATE:	5/14/18
SCALE:	N.T.S.
DWG. BY:	JK
CHK. BY:	LFS
DRAWING NO.:	TX-4844
SHEET	2 OF 6

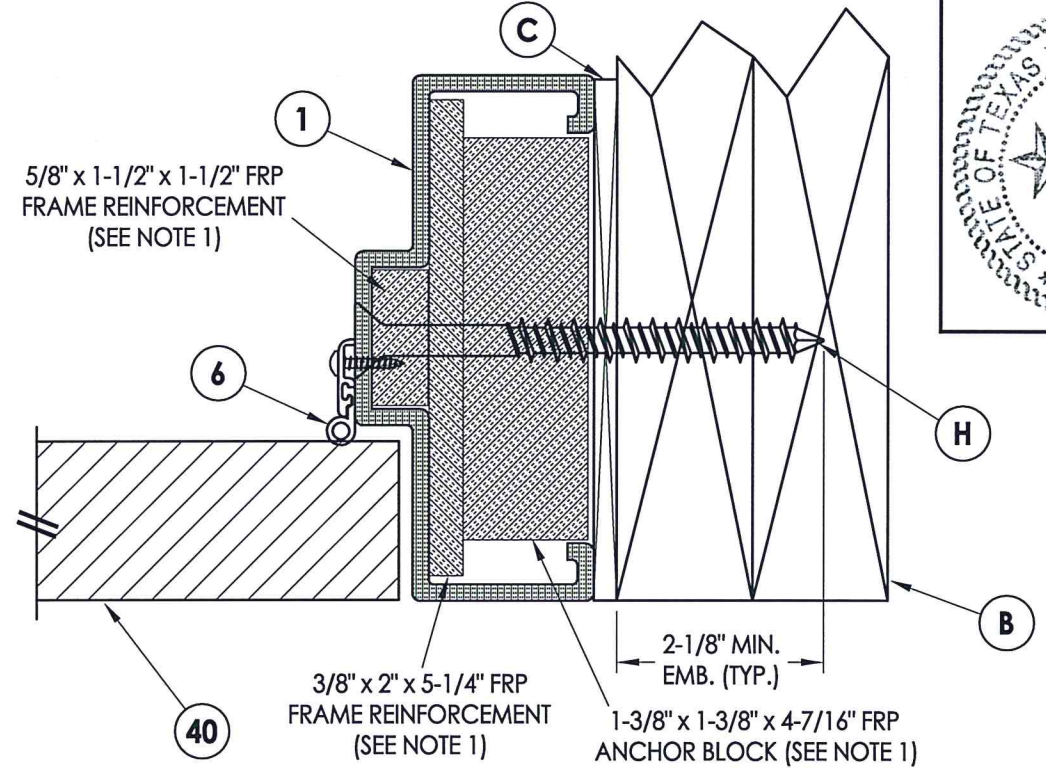
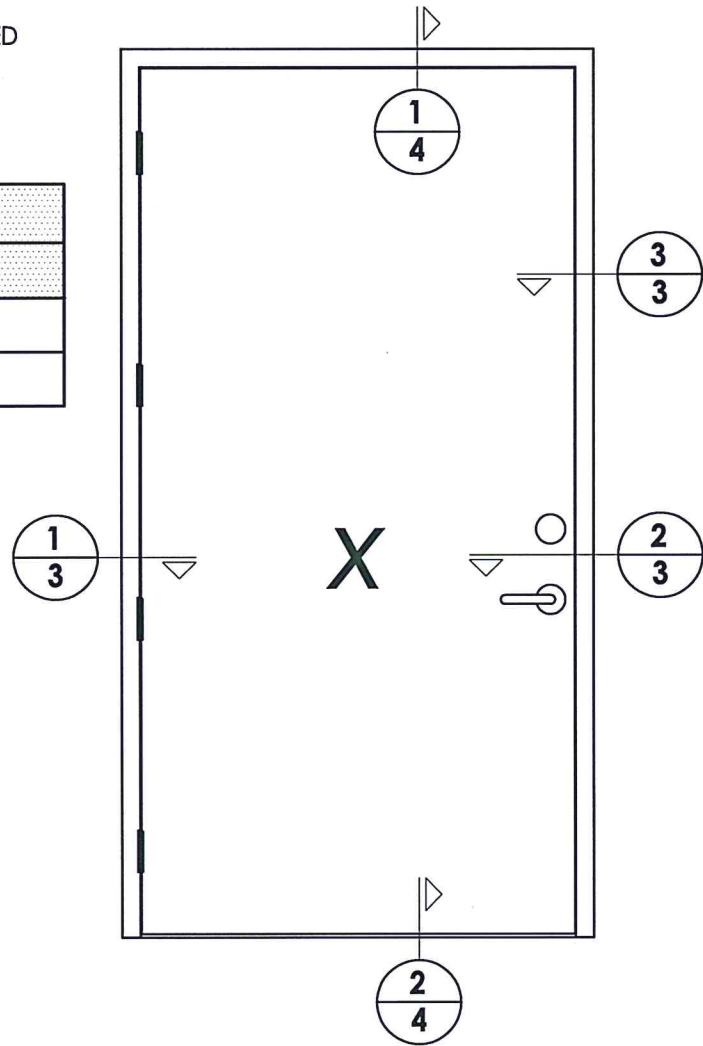
NO.	DATE	REVISIONS
1	1/19/22	UPDATE TO 2018 IBC/IRC
LFS	BY	

Z:\Clients\Senneca\B - Texas Dept of Ins\Tiger Door\DR 982 Tiger Fiberglass Door - Non-Impact\Drawings\TX-4844.45.46 REV.dwg

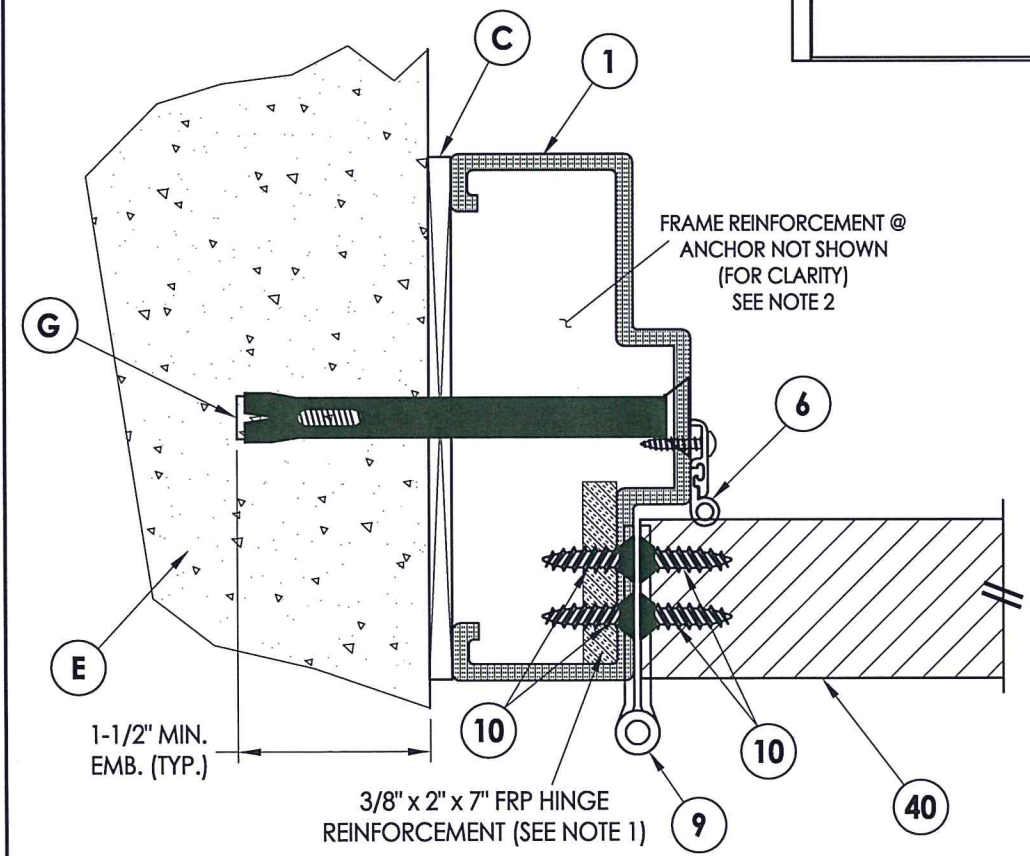
NOTES:

1. ALL FRP REINFORCEMENTS/ANCHOR BLOCKS ARE SECURED TO THE FRAME WITH LORD 7542A/B URETHANE ADHESIVE.
2. FRAME REINFORCEMENTS SHOWN IN SECTION 3/3 ARE REQUIRED AT EACH ANCHOR LOCATION.

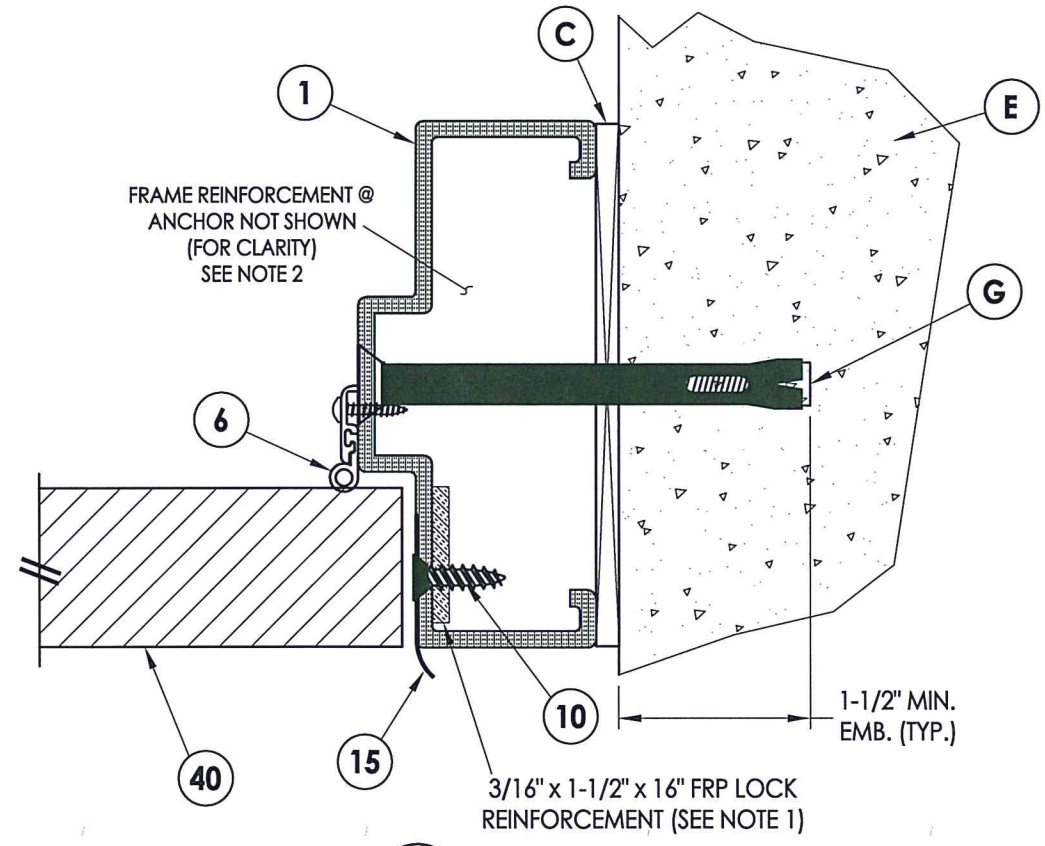
HARDWARE CHART		
MANUFACTURER	MODEL	
SCHLAGE	MORTISE LOCK:	L 9000 SERIES
SARGENT	DEADBOLT:	480 SERIES



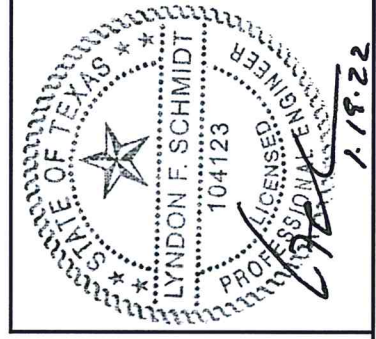
3 HORIZONTAL CROSS SECTION
Outswing configuration



1 HORIZONTAL CROSS SECTION
Outswing configuration



2 HORIZONTAL CROSS SECTION
Outswing configuration

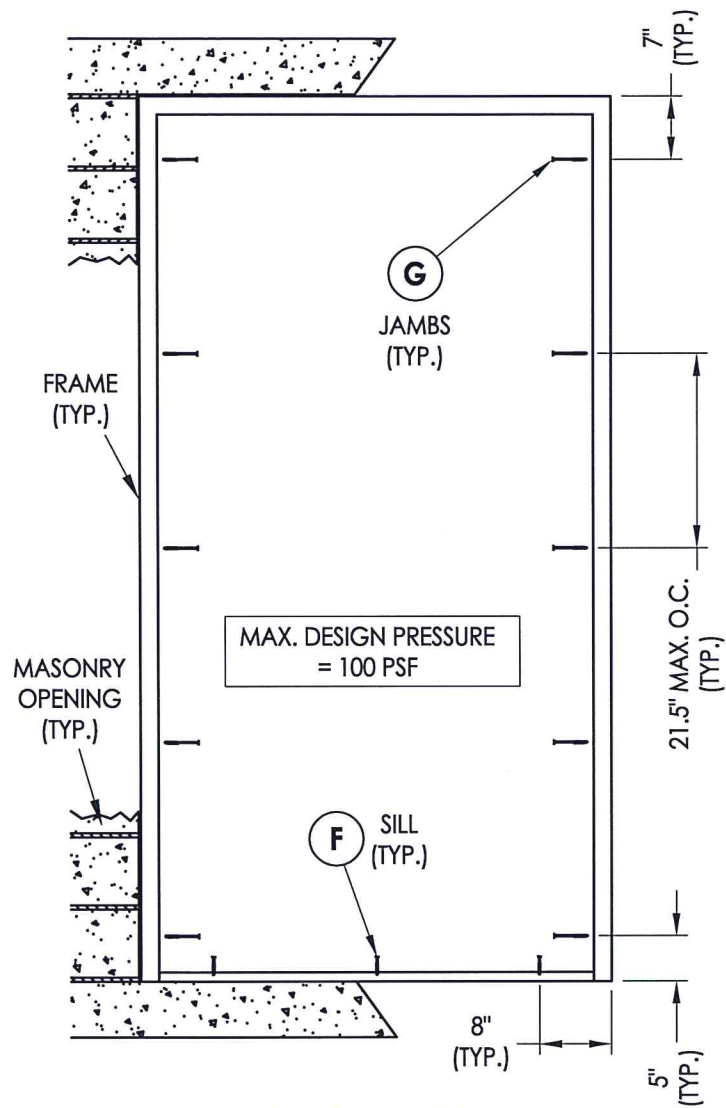


Documents Prepared By: Lyndon F. Schmidt, P.E.
TEXAS P.E. #104123
RW BUILDING CONSULTANTS, INC.
P.O. Box 230 Valrico FL, 33595
Phone No.: 813.659.9197
CERTIFICATE OF REGISTRATION # F-11852

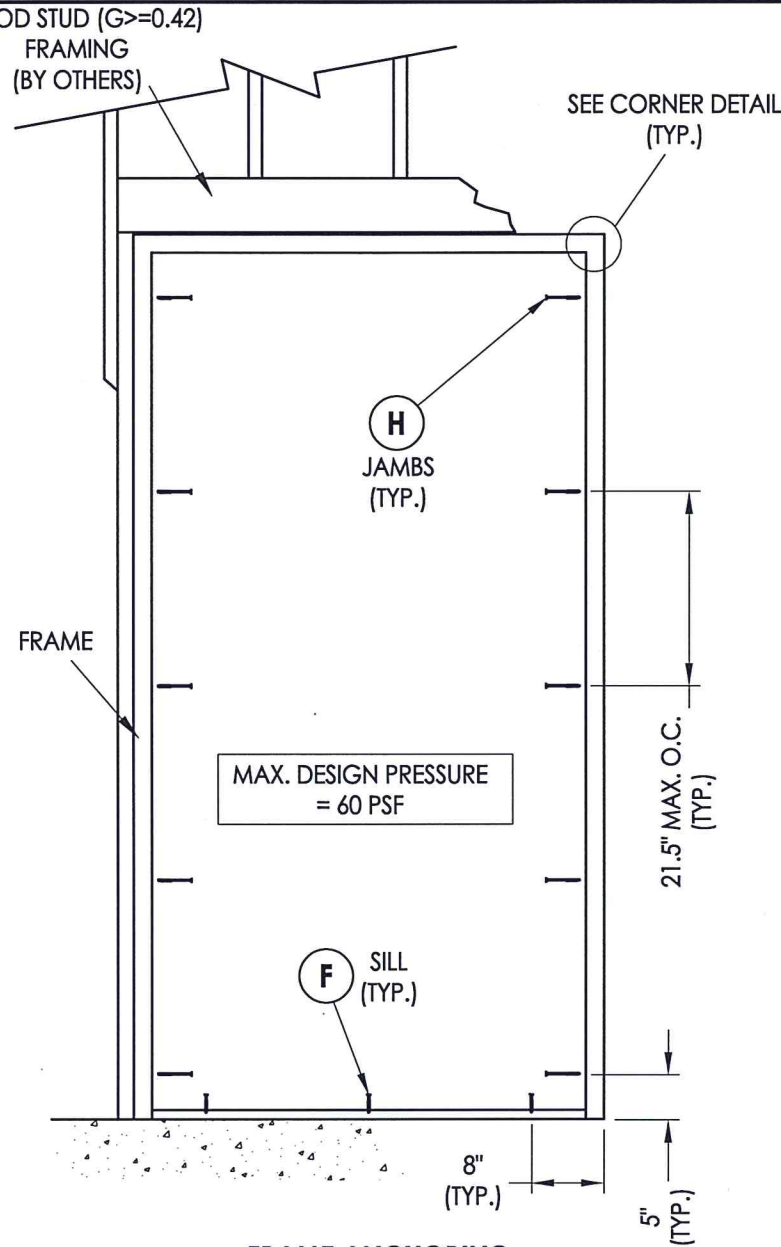
PRODUCT:	FIBERGLASS DOOR
PART OR ASSEMBLY:	HORIZONTAL CROSS SECTIONS

NO.	DATE	BY	REVISIONS
1	1/19/22	LFS	UPDATE TO 2018 IBC/IRC

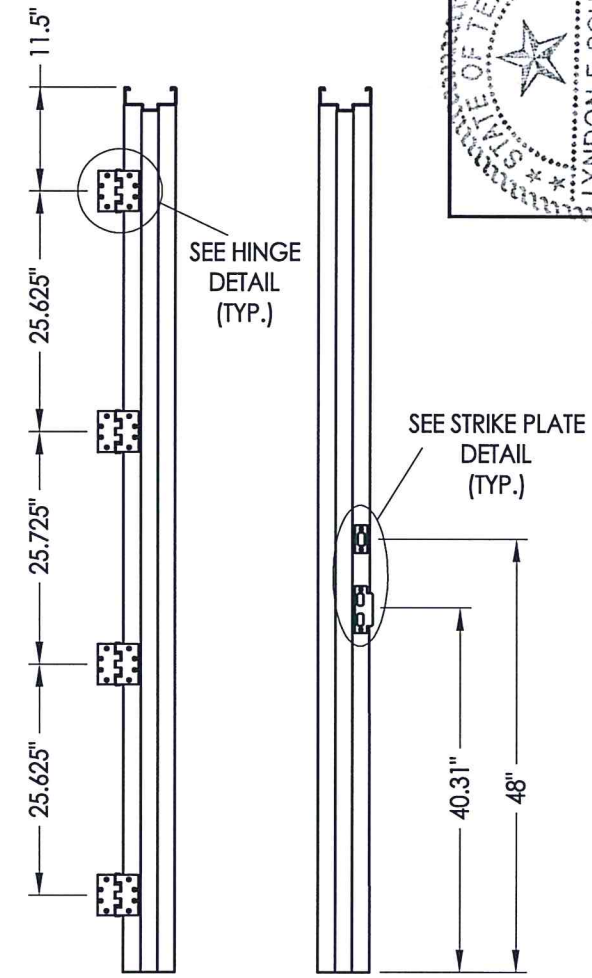
DATE:	5/14/18
SCALE:	N.T.S.
DWG. BY:	JK
CHK. BY:	LFS
DRAWING NO.:	TX-4844
SHEET	3 OF 6



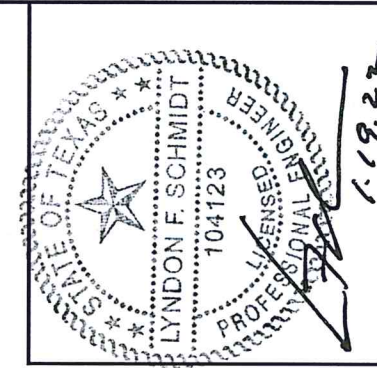
FRAME ANCHORING
Masonry Construction



FRAME ANCHORING
Wood Stud



HINGE JAMB **STRIKE JAMB**



Documents Prepared By: Lyndon F. Schmidt, P.E.
TEXAS P.E. #104123

RW BUILDING CONSULTANTS, INC.
P.O. Box 230 Valrico FL 33595
Phone No.: 813.659.9197

CERTIFICATE OF REGISTRATION # F-11852

PRODUCT: FIBERGLASS DOOR
PART OR ASSEMBLY: FRAME ANCHORING & HARDWARE DETAILS

NO.	DATE	REVISIONS
1	1/19/22	UPDATE TO 2018 IBC/IRC
		LFS
		BY

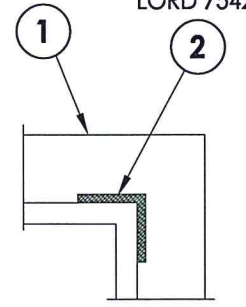
DATE: 5/14/18
SCALE: N.T.S.
DWG. BY: JK
CHK. BY: LFS
DRAWING NO.: TX-4844
SHEET 5 OF 6

CONCRETE ANCHOR NOTES:

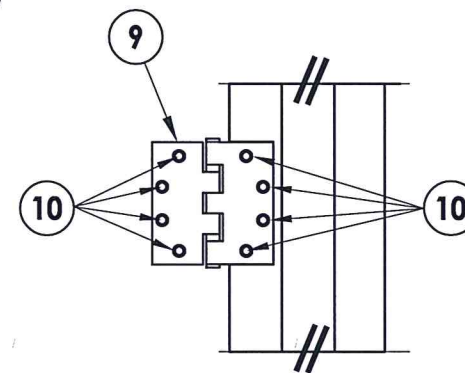
- Concrete screw locations at the corners may be adjusted to maintain a minimum 1" edge distance to mortar joints. If concrete screw locations noted as "MAX. O.C." must be adjusted to maintain the minimum edge distance to mortar joints, additional concrete screws may be required to ensure the maximum on center dimension is not exceeded.
- Concrete anchor table:

ANCHOR TYPE	ANCHOR LOCATION	ANCHOR SIZE	MANUFACTURER	MIN. EDGE DISTANCE	MIN. EMBEDMENT
CONCRETE ANCHOR SCREW	SILL	1/4"	TAPCON® (ITW BULDEX) ULTRACON+® (DeWALT)	2-1/2"	1-3/4"
CONCRETE SLEEVE ANCHOR	JAMBS	3/8"	DYNABOLT SLEEVE ANCHOR® (ITW REDHEAD)	2-1/4"	1-1/2"

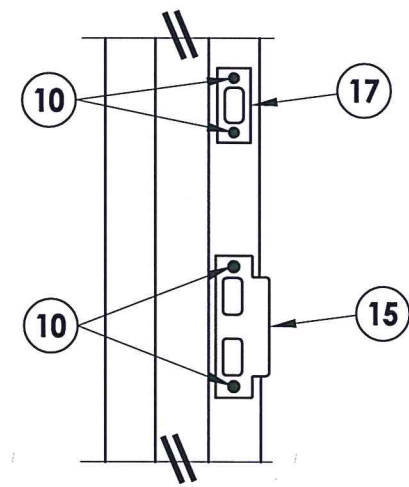
SECURED TO THE FRAME w/
LORD 7542A/B ADHESIVE



CORNER DETAIL



HINGE DETAIL



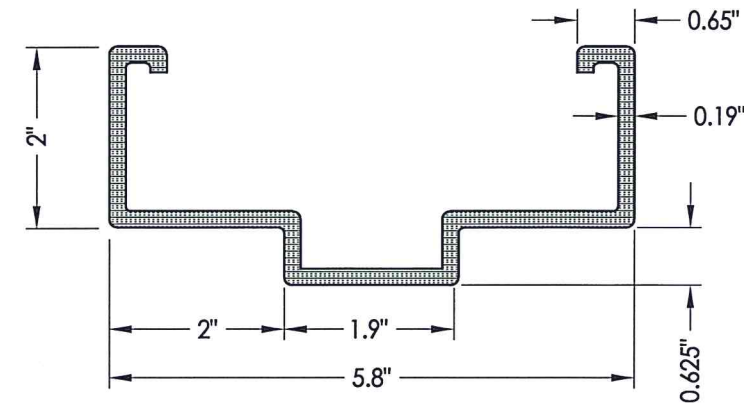
STRIKE PLATE DETAIL

Z:\Clients\Senneca\B - Texas Dept of Ins\Tiger Door\DR 982 Tiger Fiberglass Door - Non-Impact\Drawings\TX-4844.45.46 REV.dwg

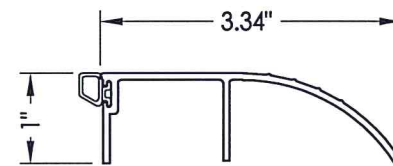
BILL OF MATERIALS

ITEM #	DESCRIPTION	MATERIAL
C	1/4" MAX. SHIM SPACE	-
E	MASONRY - 3,000 PSI MIN. CONCRETE CONFORMING TO ACI 301 OR HOLLOW BLOCK (GROUT FILLED) CONFORMING TO ASTM C90	CONCRETE
F	1/4" x 2-3/4" PFH DeWALT OR ITW CONCRETE SCREW	STEEL
G	3/8"Ø DYNABOLT SLEEVE ANCHOR	STEEL
H	3/8"Ø x 5" LAG SCREW	STEEL
1	DOOR FRAME (FRP)	FIBERGLASS
2	FRAME CORNER REINFORCEMENT (FRP)	FIBERGLASS
6	WEATHERSTRIP	NEOPRENE
7	DOOR SWEEP	VINYL
9	4-1/2" X 4-1/2" BUTT HINGE	SS
10	#12 X 1" PFH SMS	SS
15	MORTISE LATCH & DEADBOLT STRIKE PLATE	SS
16	LATCH STRIKE PLATE	SS
17	DEADBOLT STRIKE PLATE	STEEL
30	OUTSWING THRESHOLD	ALUM
40	DOOR PANEL - SEE DOOR PANEL DETAIL SHEET FOR CONSTRUCTION DETAILS	-

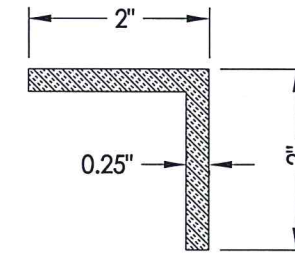
FIBER REINFORCED PLASTIC (FRP)



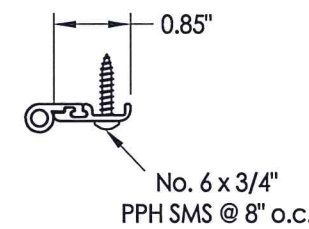
1 DOOR FRAME (FRP)



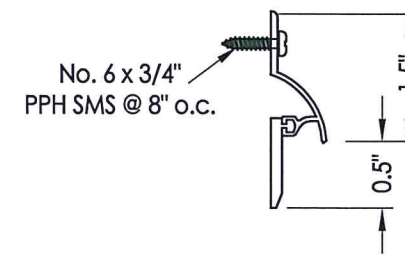
30 OUTSWING THRESHOLD
Pemko 2051-T



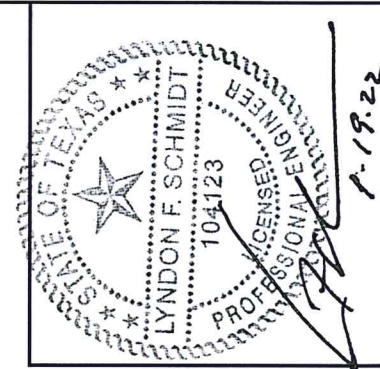
2 FRAME CORNER REINFORCEMENT
5" LONG



6 WEATHERSTRIP
NGP 137N



7 DOOR SWEEP
NGP 101 VA



Documents Prepared By: Lyndon F. Schmidt, P.E.
TEXAS P.E. #104123

RW BUILDING CONSULTANTS, INC.
P.O. Box 230 Valrico FL 33595
Phone No.: 813.659.9197

CERTIFICATE OF REGISTRATION # F-11852

PRODUCT:	FIBERGLASS DOOR
PART OR ASSEMBLY:	BILL OF MATERIALS & COMPONENTS

NO.	DATE	REVISIONS	LFS	BY
1	1/19/22	UPDATE TO 2018 IBC/IRC		

DATE:	05/14/18
SCALE:	N.T.S.
DWG. BY:	JK
CHK. BY:	LFS
DRAWING NO.:	TX-4844
SHEET	6 OF 6