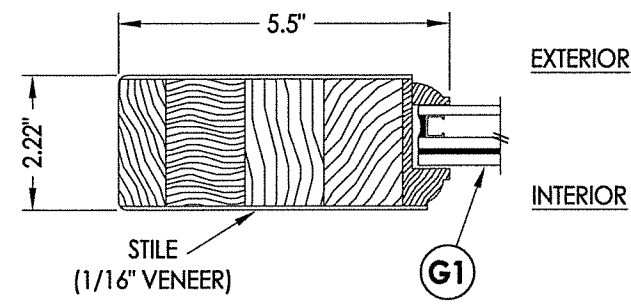
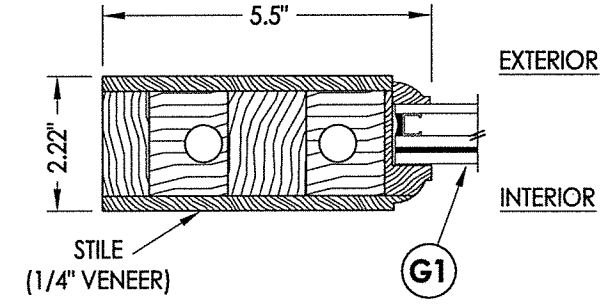


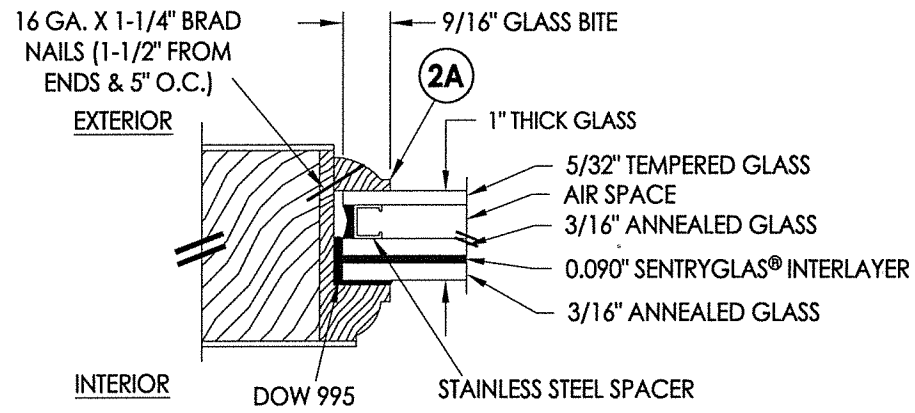
R:\Clients\Rogue Valley Doors PERMANENT\B - Texas Dept of Ins\TDI - DR-XXX (Sub ID 6970)\C - Drawings\TX-4714-15.dwg, 2.2



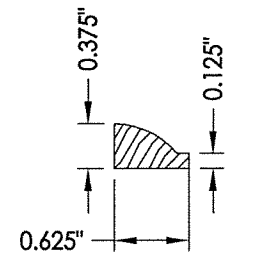
1
2 HORIZONTAL CROSS SECTION



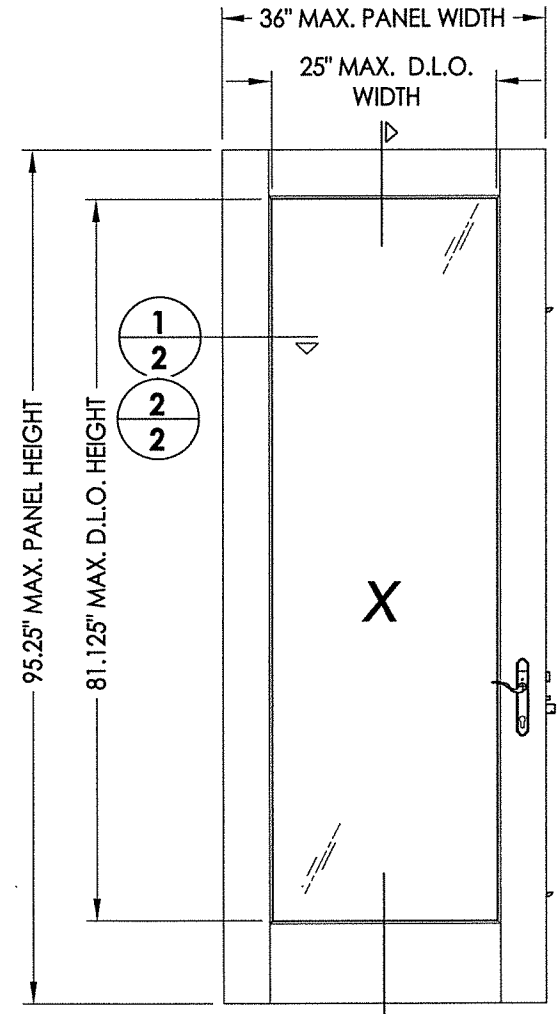
2
2 HORIZONTAL CROSS SECTION



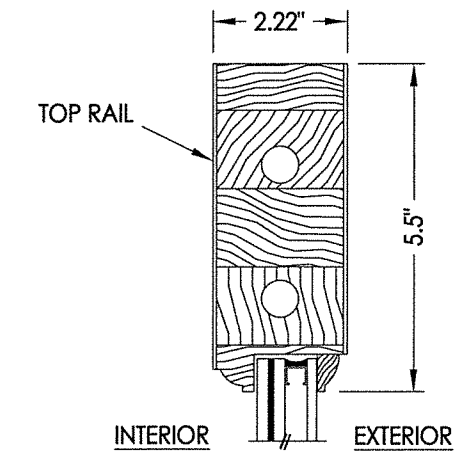
G1 GLAZING DETAIL



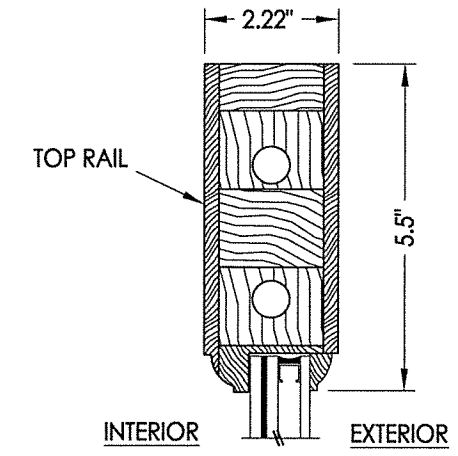
2A GLAZING BEAD



40 WOOD DOOR PANEL
Rogue Valley



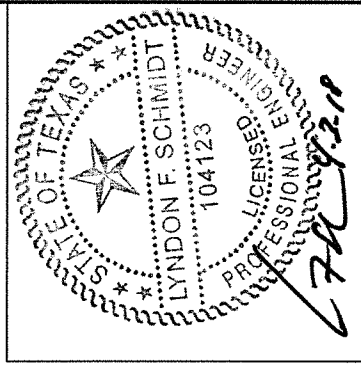
3
2 VERTICAL CROSS SECTION



4
2 VERTICAL CROSS SECTION

WOOD DOOR COMPONENTS:
VENEER/EDGES: DOUGLAS FIR (G = 0.51)
ENGINEERED STAVE CORE: POPLAR (G = 0.42)

BIRCH DOWELS:
5/8" Ø X 5" @
2-1/4" O.C. (TYP.)



Documents Prepared By: Lyndon F. Schmidt, P.E.
TEXAS P.E. #104123

RW BUILDING CONSULTANTS, INC.
P.O. Box 230 Valrico FL, 33595
Phone No.: 813.659.9197

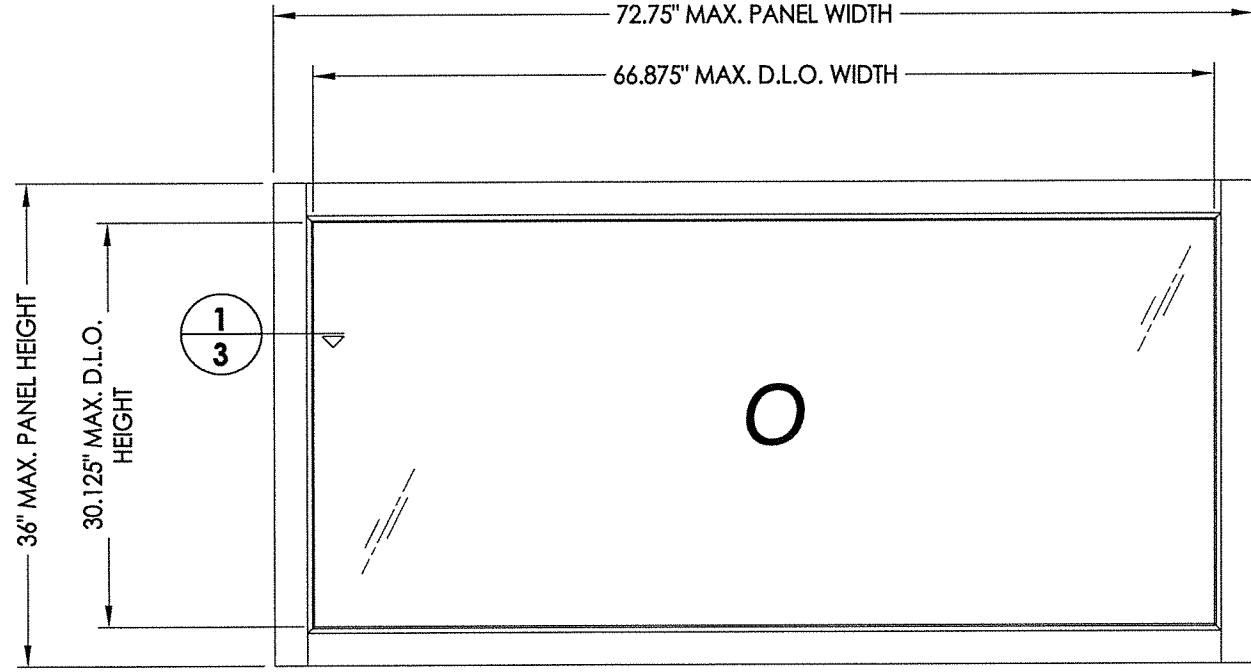
TEXAS BOARD OF PROFESSIONAL ENGINEERS
CERTIFICATE OF REGISTRATION # F-11852

PRODUCT: ROGUE VALLEY WOOD DOOR

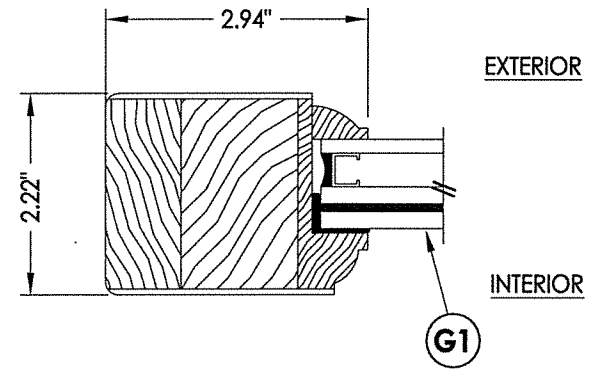
PART OR ASSEMBLY: DOOR PANEL DETAILS

NO.	DATE	BY	REVISIONS

DATE: 3/29/18
SCALE: N.T.S.
DWG. BY: JK
CHK. BY: LFS
DRAWING NO.: TX-4715
SHEET 2 OF 10

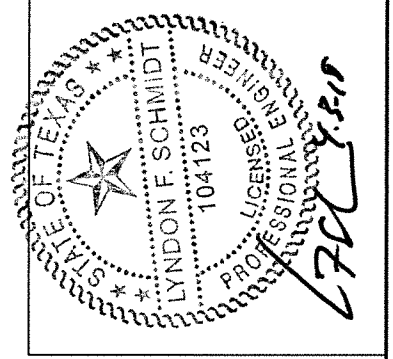


70 WOOD TRANSOM PANEL
Rogue Valley



1/3 HORIZONTAL CROSS SECTION

WOOD TRANSOM COMPONENTS:
 VENEER/EDGES: DOUGLAS FIR (G = 0.51)
 ENGINEERED STAVE CORE: POPLAR (G = 0.42)

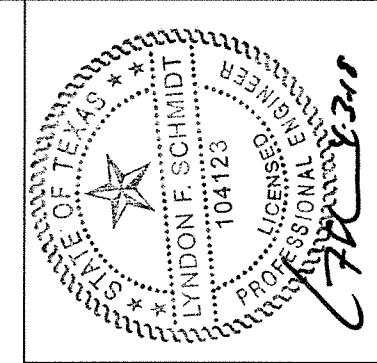
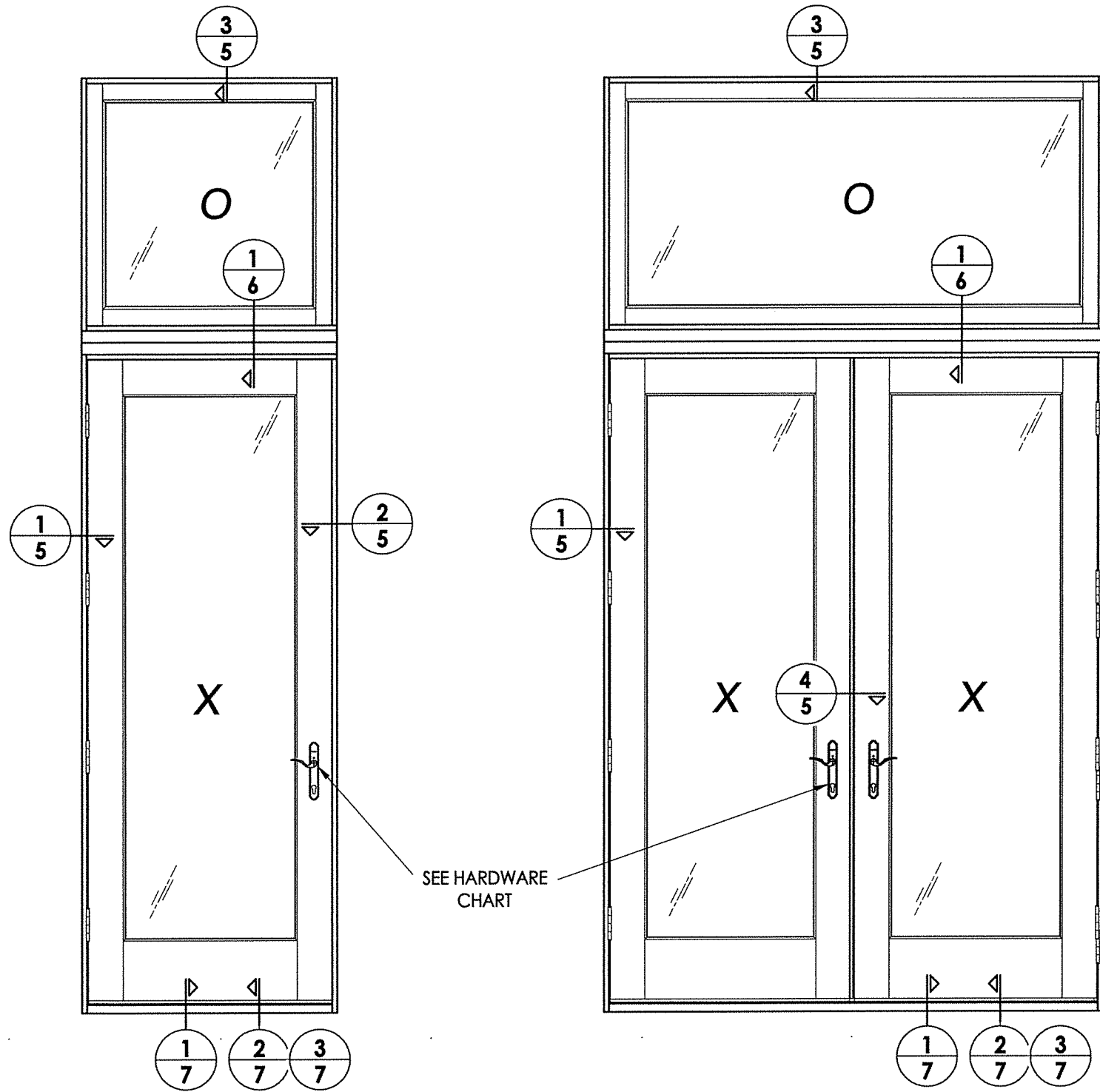


Documents Prepared By: Lyndon F. Schmidt, P.E.
TEXAS P.E. #104123

RW BUILDING CONSULTANTS, INC.
 P.O. Box 230 Valrico FL 33595
 Phone No.: 813.659.9197

TEXAS BOARD OF PROFESSIONAL ENGINEERS
 CERTIFICATE OF REGISTRATION # F-11852

PRODUCT: ROGUE VALLEY WOOD DOOR	
PART OR ASSEMBLY: TRANSOM PANEL DETAILS	
NO.	DATE
BY	REVISIONS
DATE: 3/29/18	
SCALE: N.T.S.	
DWG. BY: JK	
CHK. BY: LFS	
DRAWING NO.: TX-4715	
SHEET 3 OF 10	



Documents Prepared By: Lyndon F. Schmidt, P.E.
TEXAS P.E. #104123

RW BUILDING CONSULTANTS, INC.
P.O. Box 230 Valrico FL, 33595
Phone No.: 813.659.9197

TEXAS BOARD OF PROFESSIONAL ENGINEERS
CERTIFICATE OF REGISTRATION # F-11852

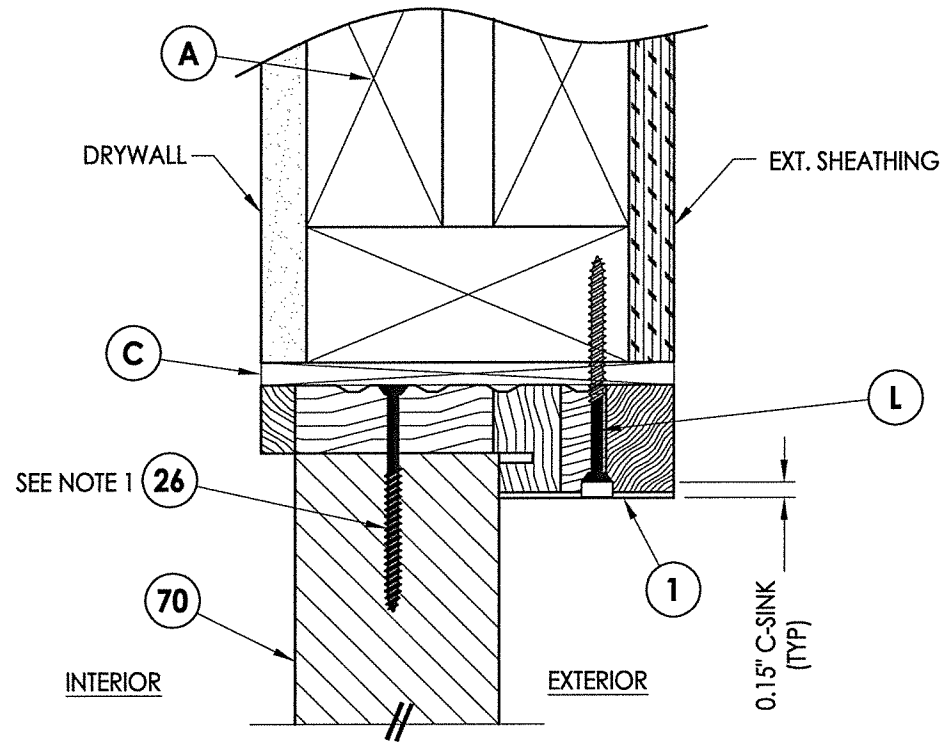
PRODUCT: ROGUE VALLEY WOOD DOOR
PART OR ASSEMBLY: ELEVATIONS

NO.	DATE	BY

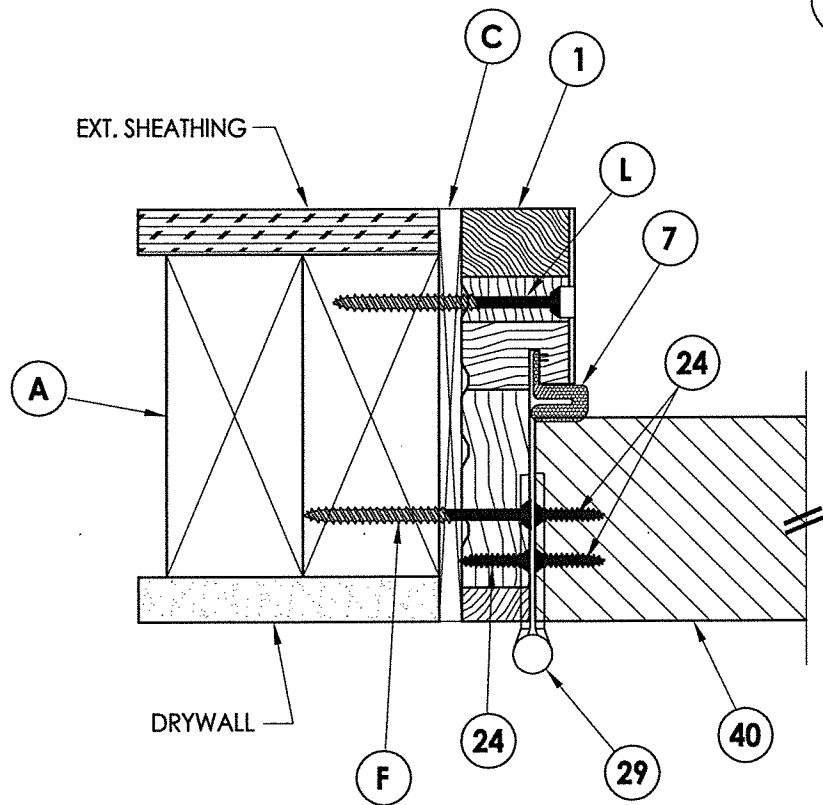
DATE: 3/29/18
SCALE: N.T.S.
DWG. BY: JK
CHK. BY: LFS
DRAWING NO.: TX-4715
SHEET 4 of 10

HARDWARE TABLE			
MANUFACTURER	MODEL	MAX. DESIGN PRESSURE (PSF)	
		INSWING	OUTSWING
SCHLAGE (SINGLE DOOR)	KNOB: F51 DEADBOLT: B60N	+55/-60	+60/-60
ENDURA (SINGLE DOOR)	TRILENNIUM 3000 MULTIPOINT LOCK (3-PT.)	+60/-60	+60/-60
ENDURA (DOUBLE DOOR)	ACTIVE: TRILENNIUM 3500 MULTIPOINT LOCK (5-PT.) INACTIVE: TRILENNIUM 3020 MULTIPOINT LOCK (2-PT.)	+60/-60	+60/-60
HOPPE (DOUBLE DOOR)	HLS 9000 SERIES MULTIPONT HARDWARE: ACTIVE: TONGUE/SHOOTBOLT (5-PT.) INACTIVE: SHOOTBOLT (2-PT.)	+60/-60	+60/-60

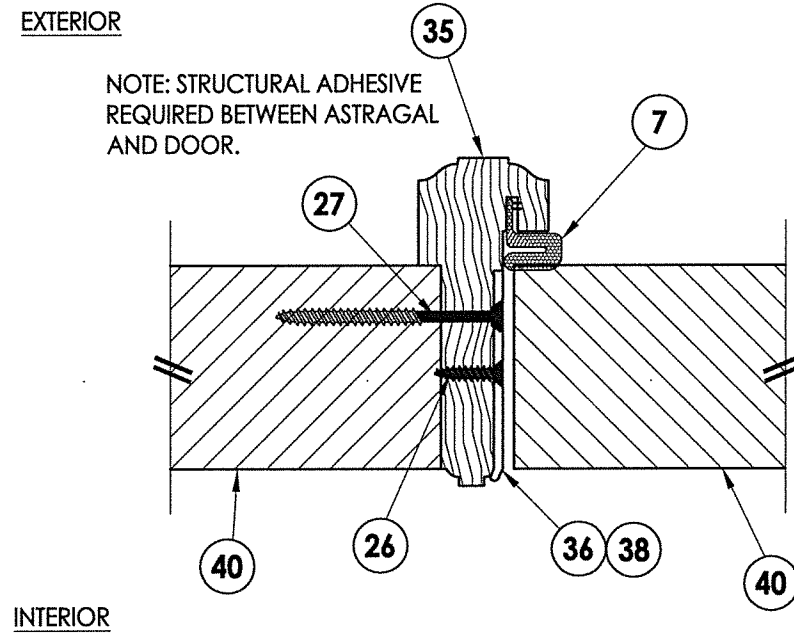
NOTE:
1. Item #26 located 4" from each end then 5 more equally spaced (7 total).



3 VERTICAL CROSS SECTION
5 Shown w/ 2X Buck
Inswing shown (Outswing similar)

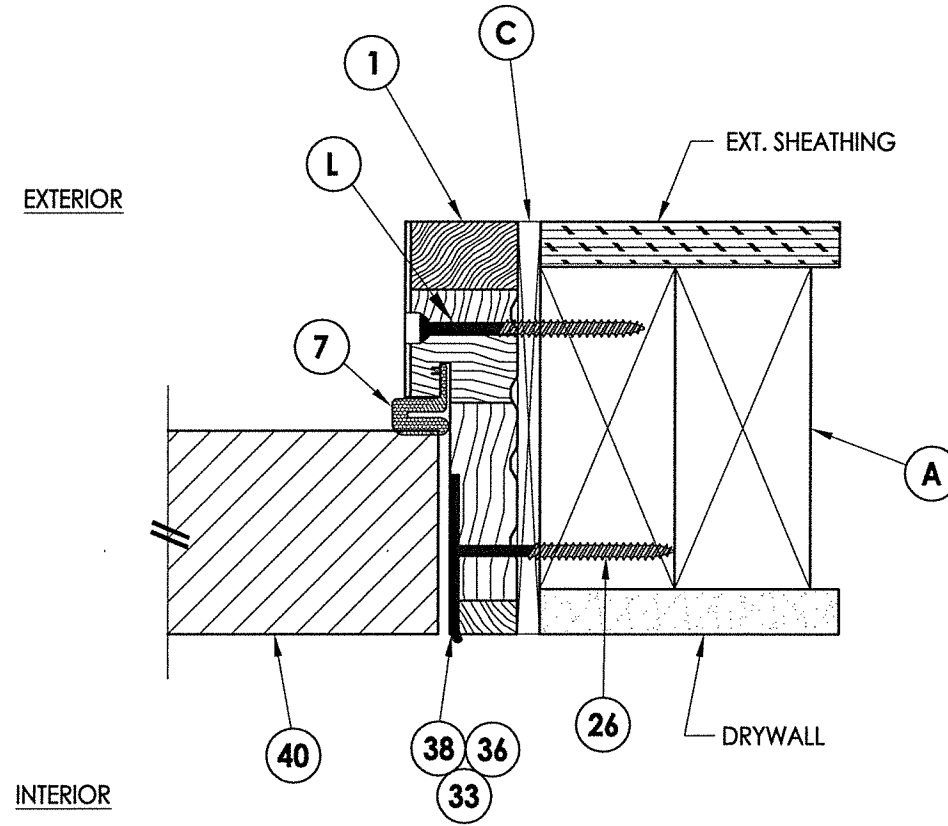


1 HORIZONTAL CROSS SECTION
5 Inswing shown (Outswing similar)

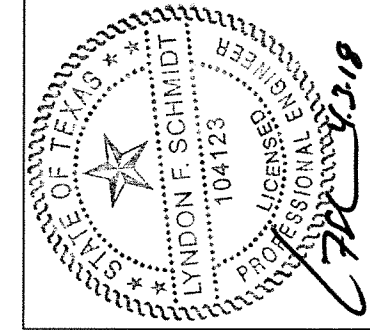


4 HORIZONTAL CROSS SECTION
5 Inswing shown (Outswing similar)

NOTE: STRUCTURAL ADHESIVE
REQUIRED BETWEEN ASTRAGAL
AND DOOR.



2 HORIZONTAL CROSS SECTION
5 Inswing shown (Outswing similar)



Documents Prepared By: Lyndon F. Schmidt, P.E.
TEXAS P.E. #104123

RW BUILDING CONSULTANTS, INC.
P.O. Box 230 Valrico FL 33595
Phone No.: 813.659.9197

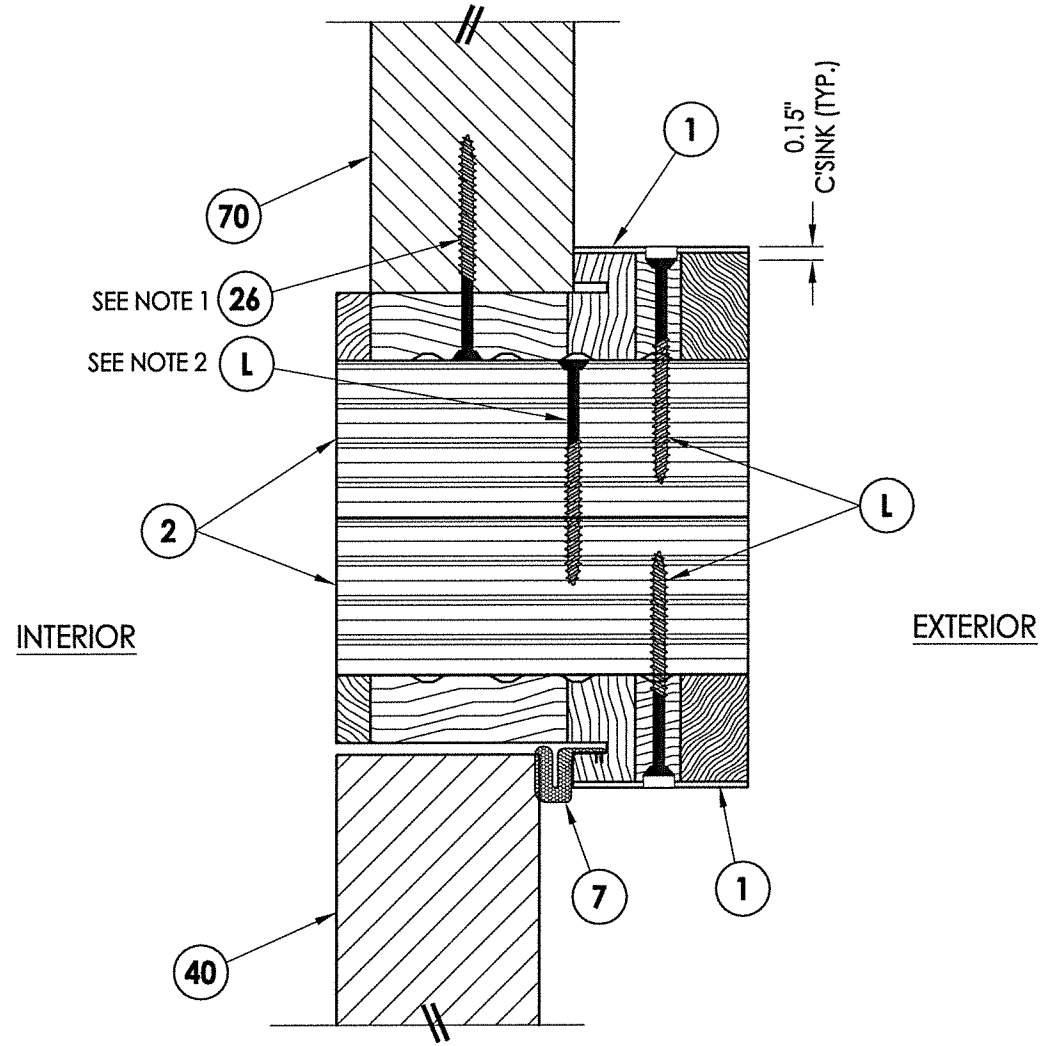
TEXAS BOARD OF PROFESSIONAL ENGINEERS
CERTIFICATE OF REGISTRATION # F-11852

PRODUCT: ROGUE VALLEY WOOD DOOR
PART OR ASSEMBLY: HORIZONTAL & VERTICAL CROSS SECTIONS

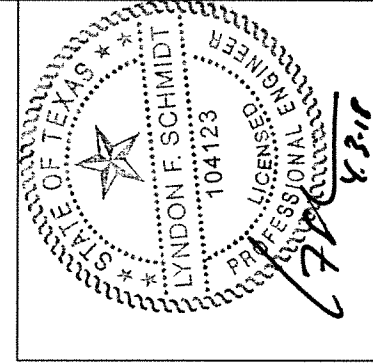
NO.	DATE	BY	REVISIONS

DATE: 3/29/18
SCALE: N.T.S.
DWG. BY: JK
CHK. BY: LFS
DRAWING NO.: TX-4715
SHEET 5 OF 10

NOTE:
 1. Item #26 located 4" from each end then 5 more equally space (7 total).
 2. Item #L located 12" from each end then one in the center (3 total).



1 **HORIZONTAL CROSS SECTION**
6 Inswing shown (Outswing similar)



Documents Prepared By: Lyndon F. Schmidt, P.E.
 TEXAS P.E. #104123

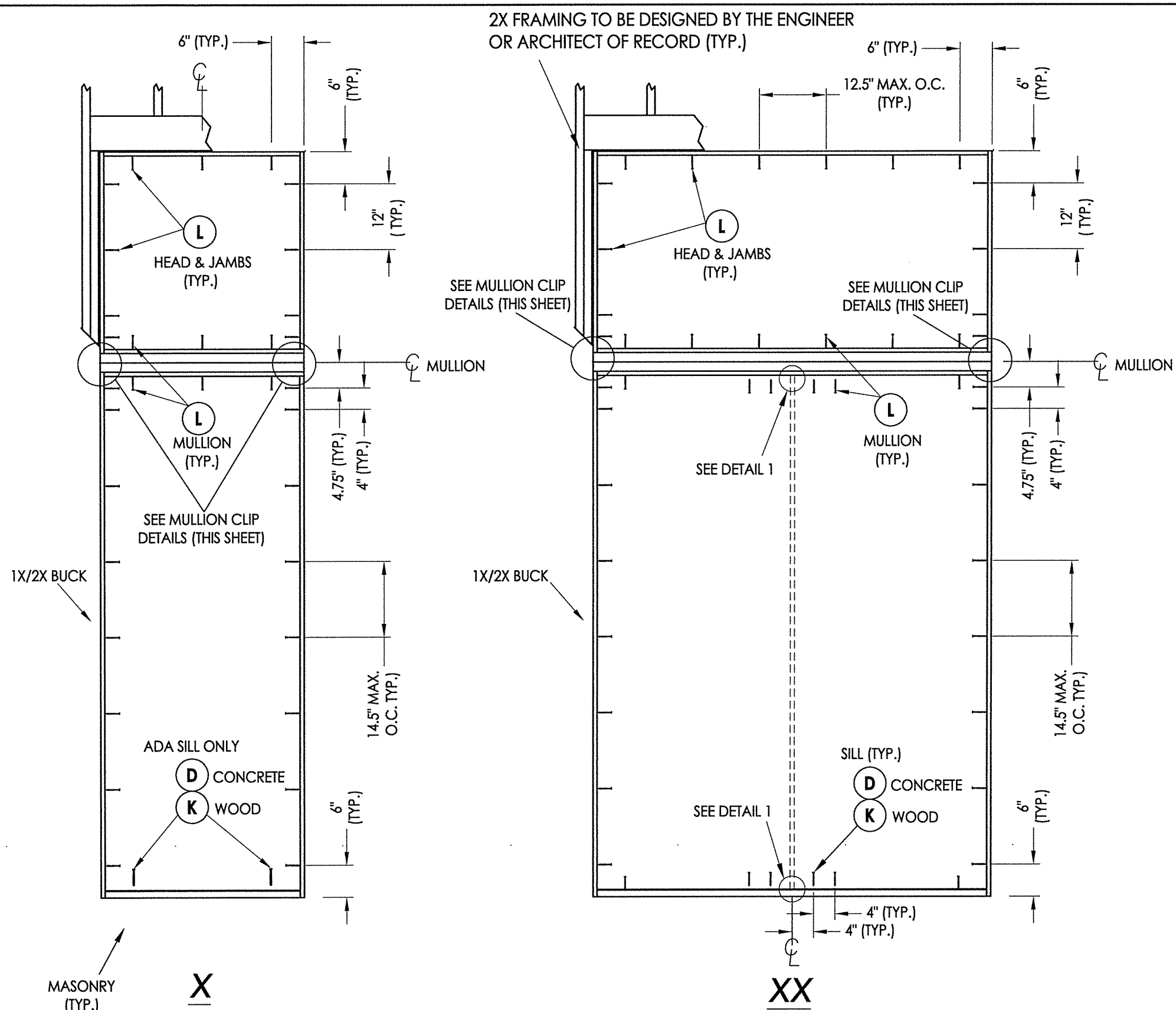
RW BUILDING CONSULTANTS, INC.
 P.O. Box 230 Valrico FL, 33595
 Phone No.: 813.659.9197

TEXAS BOARD OF PROFESSIONAL ENGINEERS
 CERTIFICATE OF REGISTRATION # F-11852

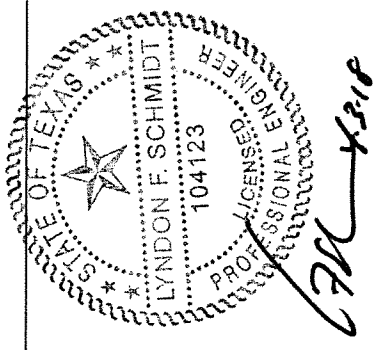
PRODUCT: ROGUE VALLEY WOOD DOOR
 PART OR ASSEMBLY: VERTICAL CROSS SECTION

NO.	DATE	BY

DATE: 3/29/18
 SCALE: N.T.S.
 DWG. BY: JK
 CHK. BY: LFS
 DRAWING NO.: TX-4715
 SHEET 6 OF 10



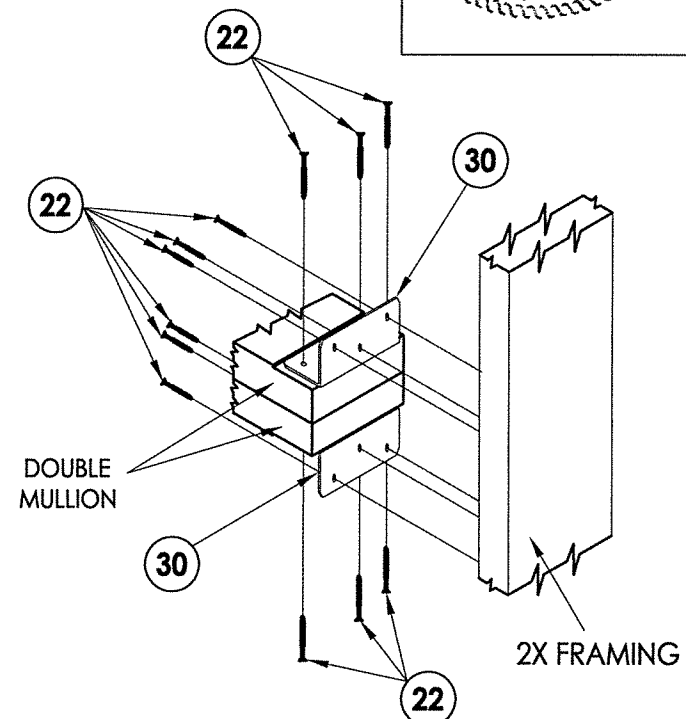
2X FRAMING TO BE DESIGNED BY THE ENGINEER OR ARCHITECT OF RECORD (TYP.)



Documents Prepared By: Lyndon F. Schmidt, P.E.
TEXAS P.E. #104123

RW BUILDING CONSULTANTS, INC.
P.O. Box 230 Valrico FL 33595
Phone No.: 813.659.9197

TEXAS BOARD OF PROFESSIONAL ENGINEERS
CERTIFICATE OF REGISTRATION # F-11852

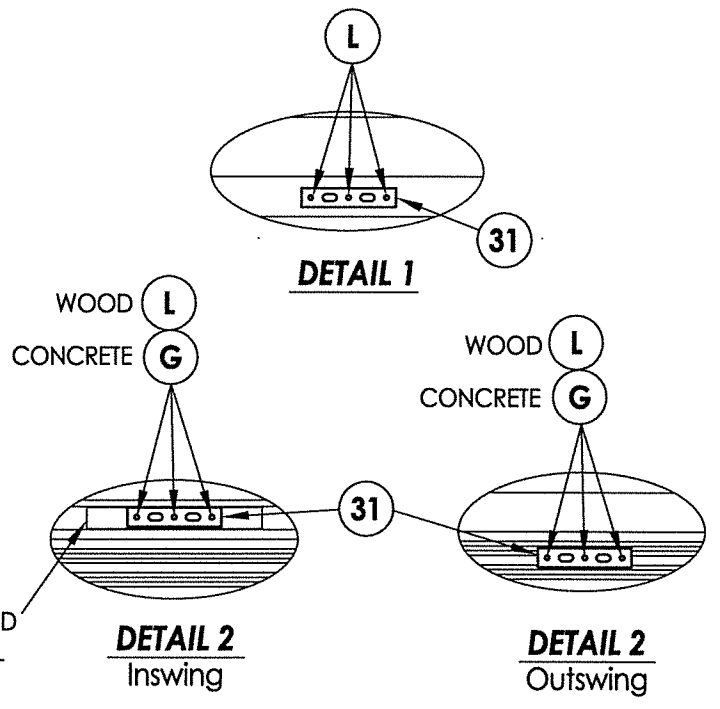


DOUBLE MULLION CLIP DETAIL

NOTE:
1. ALL FRAME CORNERS SECURED WITH (3) #8 X 2-1/2" FH DEEP THREAD WOOD SCREWS.

FRAME ANCHORING

NOTE: 8" WOOD BLOCK ADDED TO INTERIOR OF INSWING SILL UNDER STRIKE PLATE

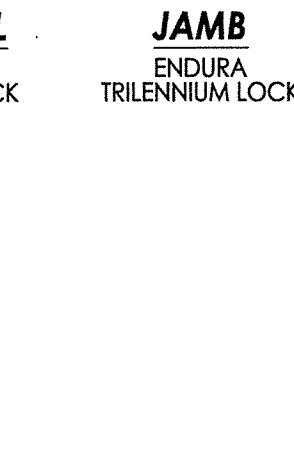
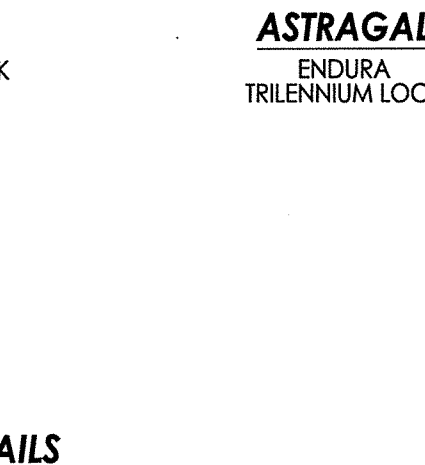
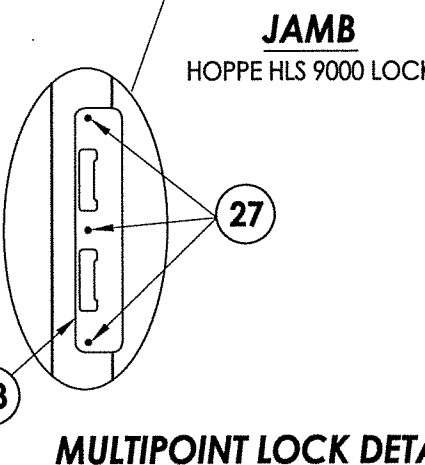
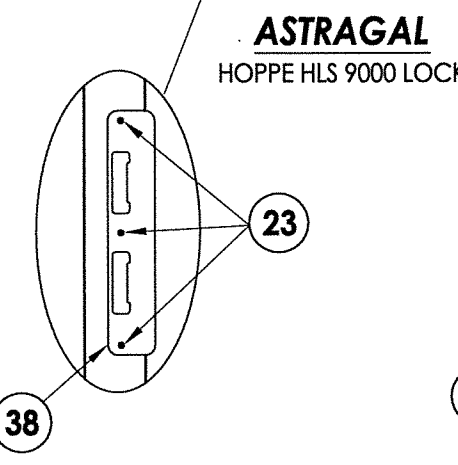
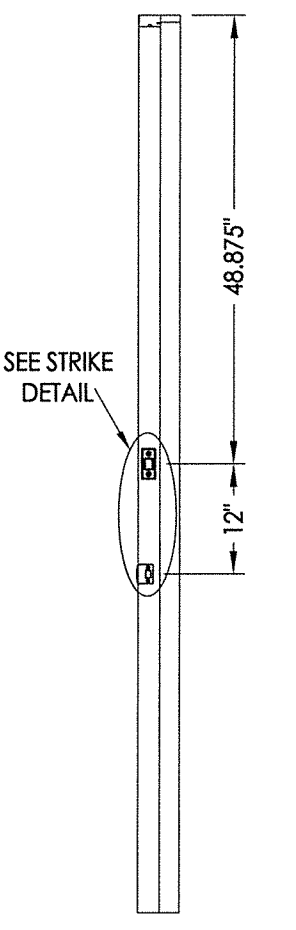
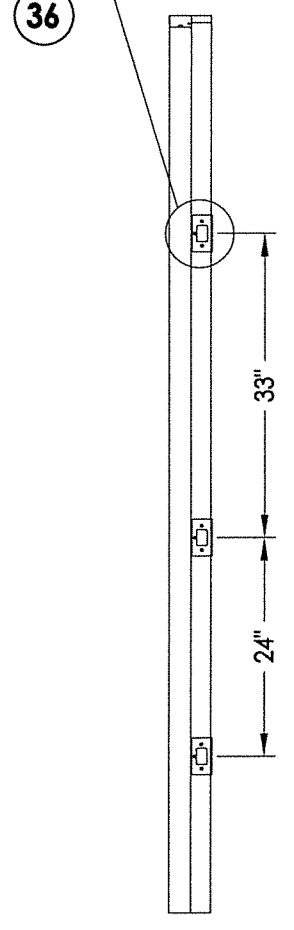
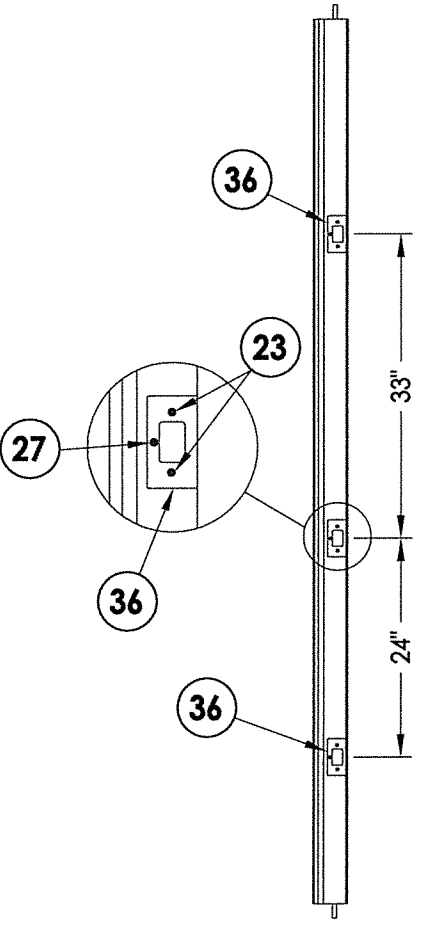
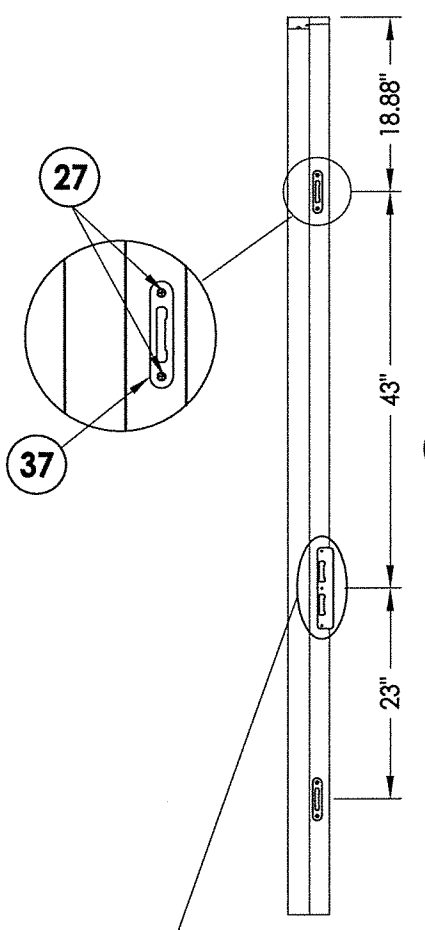
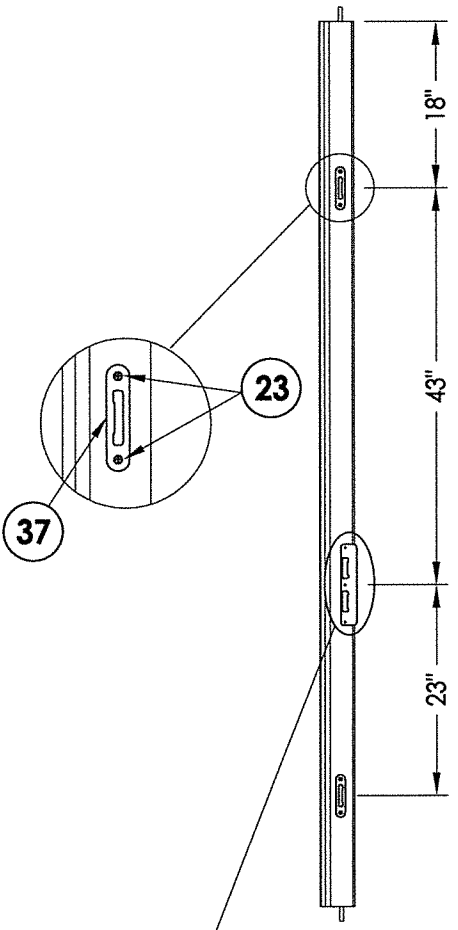
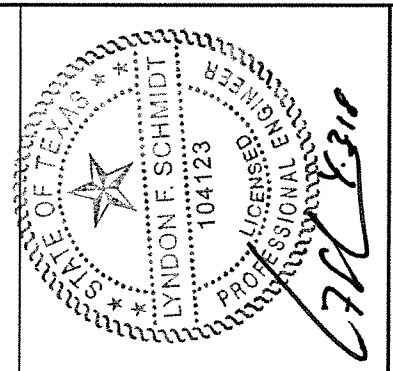
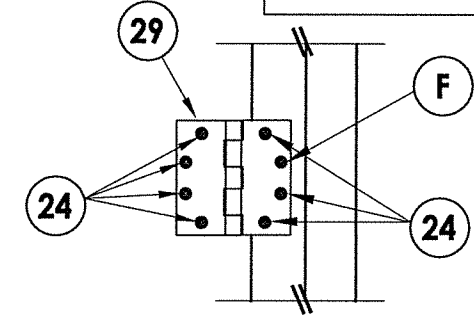
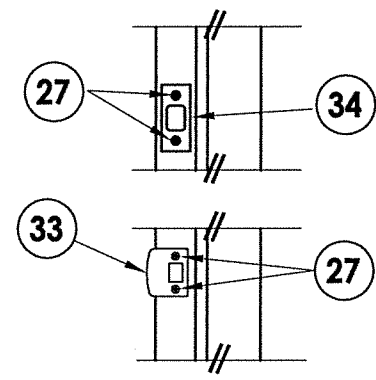
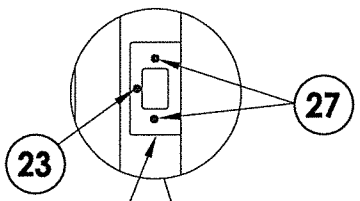
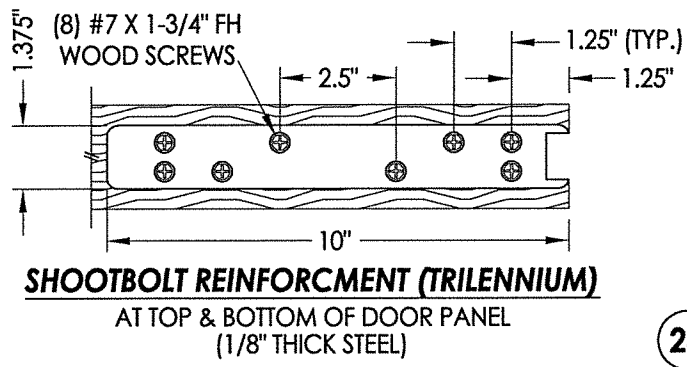
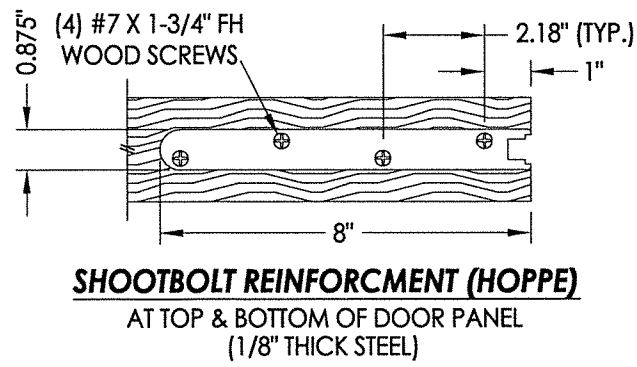


PRODUCT: ROGUE VALLEY WOOD DOOR

PART OR ASSEMBLY: FRAME ANCHORING

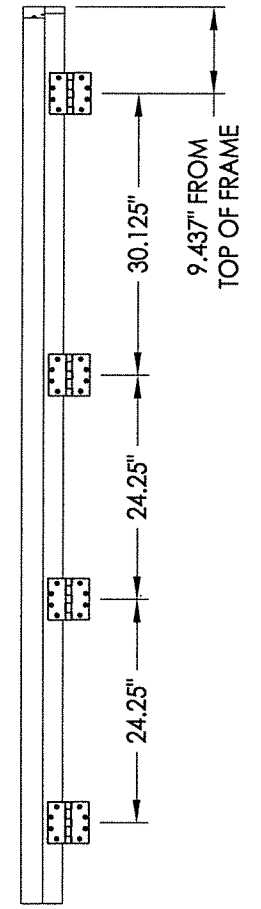
NO.	DATE	BY	REVISIONS

DATE: 3/29/18
SCALE: N.T.S.
DWG. BY: JK
CHK. BY: LFS
DRAWING NO.: TX-4715
SHEET 8 OF 10



MULTIPOINT LOCK DETAILS

HINGE JAMB



Documents Prepared By: Lyndon F. Schmidt, P.E.
TEXAS P.E. #104123

RW BUILDING CONSULTANTS, INC.
P.O. Box 230 Valrico FL, 33595
Phone No.: 813.659.9197

TEXAS BOARD OF PROFESSIONAL ENGINEERS
CERTIFICATE OF REGISTRATION # F-11852

PRODUCT: ROGUE VALLEY WOOD DOOR
PART OR ASSEMBLY: HARDWARE DETAILS

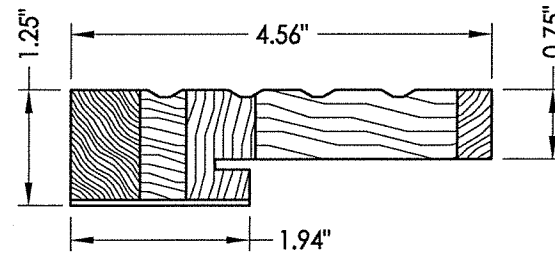
NO.	DATE	BY	REVISIONS

DATE: 3/29/18
SCALE: N.T.S.
DWG. BY: JK
CHK. BY: LFS
DRAWING NO.: TX-4715
SHEET 9 OF 10

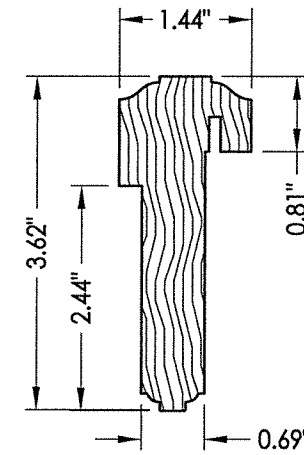
R:\Clients\Rogue Valley Doors PERMANENT\B - Texas Dept of Ins\TDI - DR-XXX (Sub ID) - 8'0 Doors\C - Drawings\TX-4714-15.dwg, 10.2

BILL OF MATERIALS		
ITEM #	DESCRIPTION	MATERIAL
A	2X FRAMING (G >= 0.42)	WOOD
C	1/4" MAX. SHIM SPACE	-
D	1/4" PFH IELCO OR ITW CONCRETE SCREW (1-3/4" MIN. EMB.)	STEEL
F	#12 X 2-1/2" PFH WOOD SCREW	STEEL
G	3/16" PFH ITW CONCRETE SCREW (1-1/4" MIN. EMB.)	STEEL
K	#10 PFH WOOD SCREW (1-3/4" MIN. EMB.)	STEEL
L	#10 X 2-1/2" PFH WOOD SCREW (1.15" MIN. EMBEDMENT)	STEEL
1	JAMB	WOOD
2	MULLION	LVL
7	WEATHERSTRIP	FOAM
8	SWEEP	VINYL
14	INSWING THRESHOLD	ALUM/COMP
15	OUTSWING THRESHOLD	ALUM/COMP
16	ADA THRESHOLD	ALUM
22	#10 X 1-1/2" PFH WOOD SCREW	STEEL
23	#8 X 3/4" PFH WOOD SCREW	STEEL
24	#12 x 1" PFH WOOD SCREW	STEEL
25	#8 x 1-3/4" PFH WOOD SCREW	STEEL
26	#8 x 2-1/2" FH DEEP THREAD WOOD SCREW	STEEL
27	#9 x 2-1/2" PFH WOOD SCREW	STEEL
29	4.5" X 4.5" HINGE	STEEL
30	MULLION ANGLE CLIP (USP ML24-TZ)	STEEL
31	ASTRAGAL STRIKE	STEEL
33	LATCH STRIKE PLATE	STEEL
34	DEADBOLT STRIKE PLATE	STEEL
35	ASTRAGAL	WOOD
36	MULTIPOINT STRIKE PLATE (ENDURA TRILENNIUM)	STEEL
37	MULTIPOINT TONGUE STRIKE (HOPPE HLS 9000)	STEEL
38	MULTIPOINT STRIKE PLATE (HOPPE HLS 9000)	STEEL
40	DOOR PANEL	WOOD
70	TRANSOM PANEL	WOOD

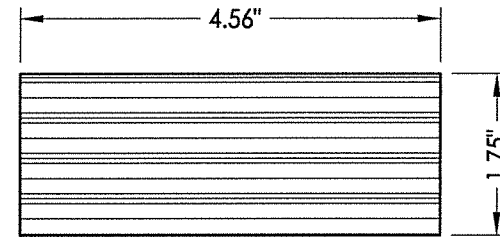
WOOD FRAME COMPONENTS: POPLAR (G = 0.42)



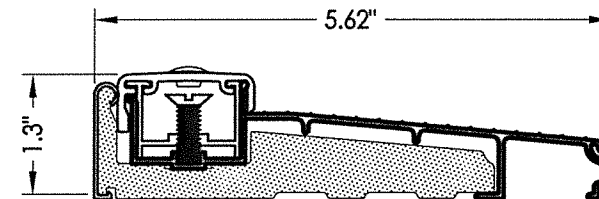
1 WOOD JAMB



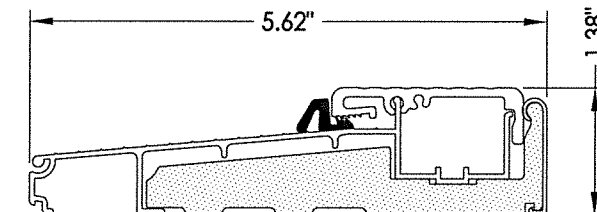
35 ASTRAGAL Wood



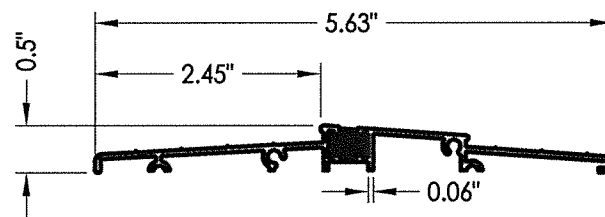
2 MULLION
VERSA-LAM® 2400 Fb-1.7E



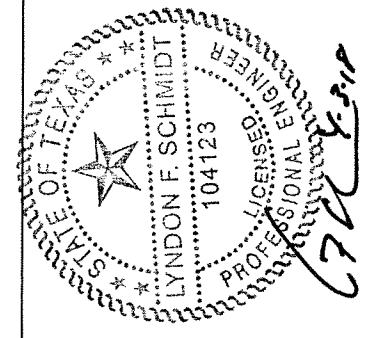
14 INSWING THRESHOLD
COLUMBIA



15 OUTSWING THRESHOLD
COLUMBIA



16 ADA THRESHOLD
ENDURA



Documents Prepared By: Lyndon F. Schmidt, P.E.
TEXAS P.E. #104123

RW BUILDING CONSULTANTS, INC.
P.O. Box 230 Vairico FL 33595
Phone No.: 813.659.9197

TEXAS BOARD OF PROFESSIONAL ENGINEERS
CERTIFICATE OF REGISTRATION # F-11852

PRODUCT: ROGUE VALLEY WOOD DOOR
PART OR ASSEMBLY: BILL OF MATERIALS & COMPONENTS

NO.	DATE	REVISIONS

DATE: 3/29/18
SCALE: N.T.S.
DWG. BY: JK
CHK. BY: LFS
DRAWING NO.: TX-4715
SHEET 10 OF 10

CONCRETE ANCHOR NOTES:

- Concrete anchor locations at the corners may be adjusted to maintain the min. edge distance to mortar joints.
- Concrete anchor locations noted as "MAX. ON CENTER" must be adjusted to maintain the min. edge distance to mortar joints, additional concrete anchors may be required to ensure the "MAX. ON CENTER" dimension are not exceeded.
- Concrete anchor table:

ANCHOR TYPE	ANCHOR SIZE	MIN. EMBEDMENT	MIN. CLEARANCE TO MASONRY EDGE	MIN. CLEARANCE TO ADJACENT ANCHOR
ITW TAPCON®	1/4"	1-3/4"	2"	4"
ELCO ULTRACON®	1/4"	1-3/4"	1"	4"
ITW TAPCON®	3/16"	1-1/4"	3"	1-1/2"

WOOD SCREW INSTALLATION NOTES:

- Maintain a minimum 5/8" edge distance, 1" end distance, & 1" o.c. spacing of wood screws to prevent the splitting of wood.