

## COMPOSITE EDGE GLAZED FIBERGLASS SINGLE DOOR IN swing / OUT swing "COASTAL - IMPACT"

**EVALUATED FOR USE IN THE STATE OF TEXAS**

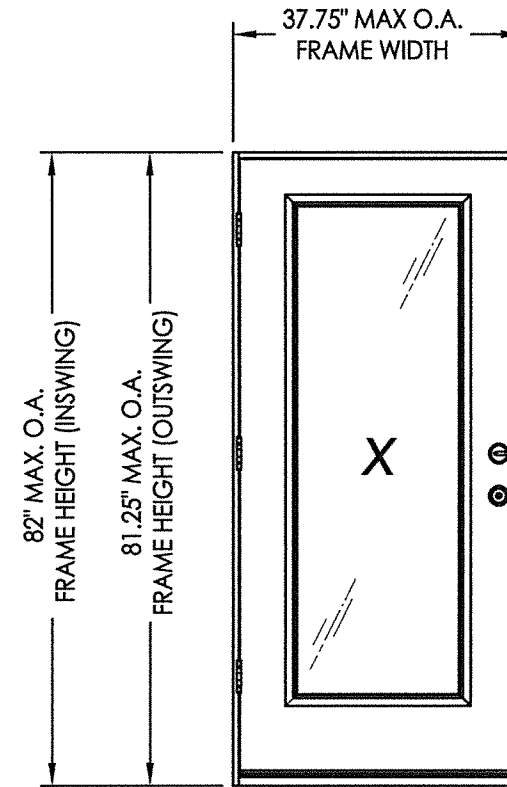
**TDI DR-952**

The Fiberglass Door system described herein complies with the 2018 International Residential Code (IRC), Sections R301 & R609 and the 2018 International Building Code (IBC), Sections 1404.13, 1609, 1709.5, 2403 and 2404 subject to the following conditions:

1. Anchors shall be as listed and spaced as shown in the details. Anchor embedment to base material shall be beyond wall dressing or stucco.
2. This system has been tested and evaluated as a large missile impact protective system for installation in areas that require wind borne debris protection. This product meets missile level "D" as defined in ASTM E 1996.
3. Allowable design pressure requirements must be equal to or less than the design pressure rating shown in the design pressure chart, sheet 1 of this drawing.
4. Conditions not covered by this drawing are subject to further engineering analysis.
5. Fiber-Classic and Smooth-Star Door & Sidelite panels require the use of "J" part numbers. These door panels must be stained or painted within six months of installation.

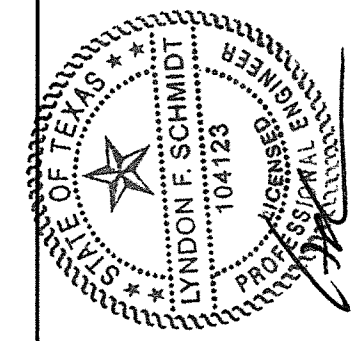
**TABLE OF CONTENTS**

SHEET #	DESCRIPTION
1	Typical Elevations, Design Pressures & General Notes
2	Door Panel Details
3	Elevations
4	Horizontal & Vertical Cross Sections
5	Vertical Cross Sections (Thresholds)
6	Frame Anchoring & Hardware Details
7	Glazing Details
8	Components
9	Bill of Materials



CONFIGURATION	LOCK HARDWARE	DESIGN PRESSURE (PSF) IN SWING		DESIGN PRESSURE (PSF) OUT SWING	
		POSITIVE	NEGATIVE	POSITIVE	NEGATIVE
X	Latch & Deadbolt	+55.0	-55.0	+55.0	-55.0
X	Multipoint	+55.0	-60.0	+55.0	-55.0

See Sheet 3 for Hardware Specifications



Documents Prepared By: Lyndon F. Schmidt, P.E.  
TEXAS P.E. #104123

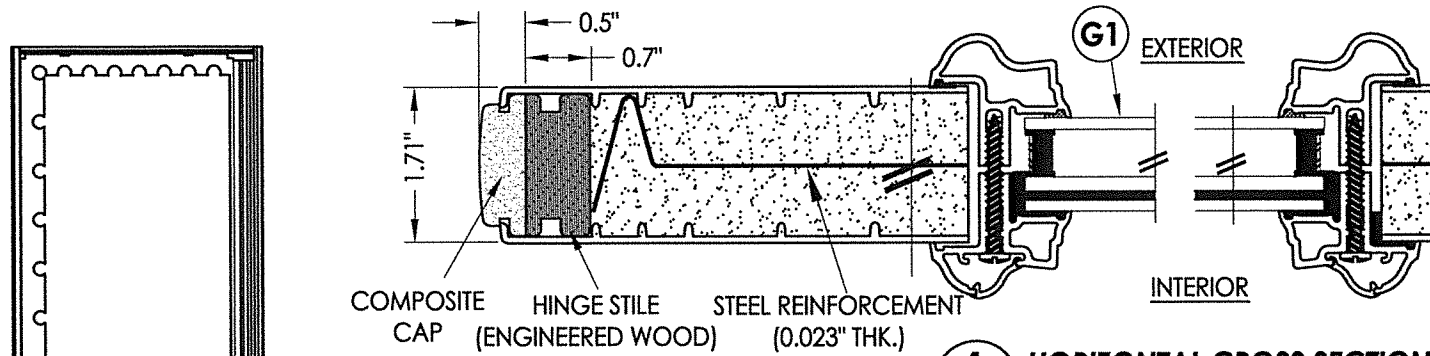
*RW* BUILDING CONSULTANTS, INC.  
P.O. Box 230 Valrico FL 33595  
Phone No.: 813.659.9197

CERTIFICATE OF REGISTRATION # F-11852

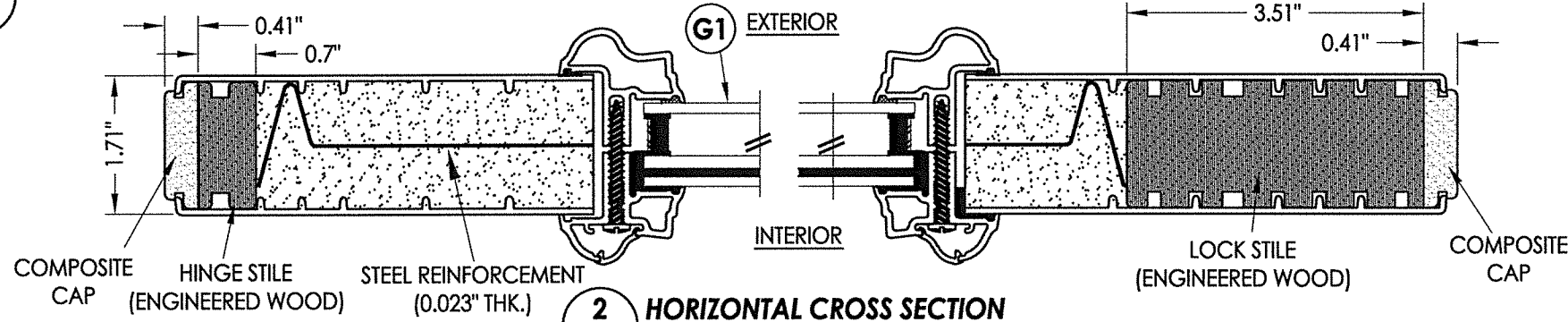
PRODUCT:	THERMA-TRU FIBERGLASS DOOR
PART OR ASSEMBLY:	TYPICAL ELEVATION, DESIGN PRESSURES & GENERAL NOTES
DATE	10/24/17
NO.	1
BY	LFS
REVISIONS	9/27/21 UPDATE TO 2018 IBC/IRC CODE

DATE: 10/24/17  
SCALE: N.T.S.  
DWG. BY: JK  
CHK. BY: LFS  
DRAWING NO.: TX-4745  
SHEET 1 OF 9

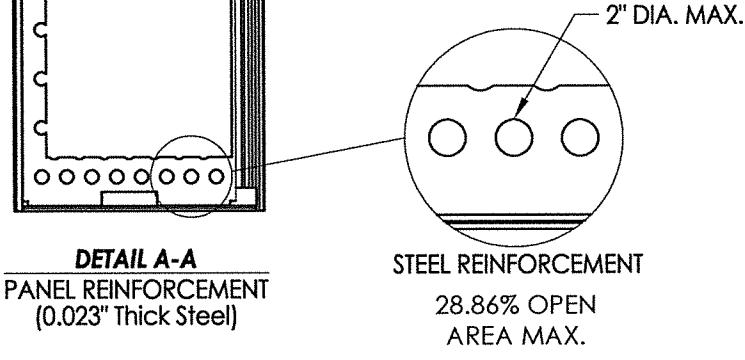
Z:\Clients\Therma Tru PERMANENT\B - Texas Dept of Ins\TDI - DR 952 - 6'8 & 8'0 Glazed Comp Edge Coastal Impact (TX 4745 - 4750)\C - Drawings\TX-4745-47.dwg



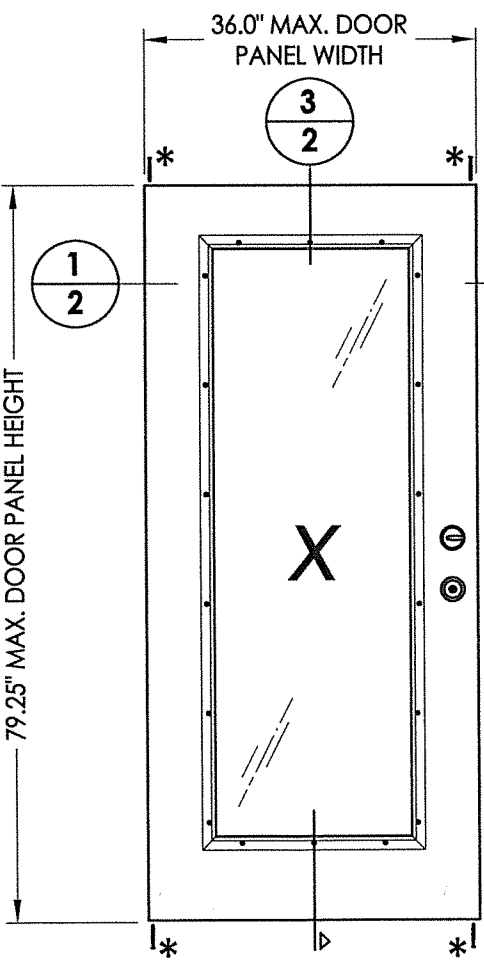
1  
2 **HORIZONTAL CROSS SECTION**



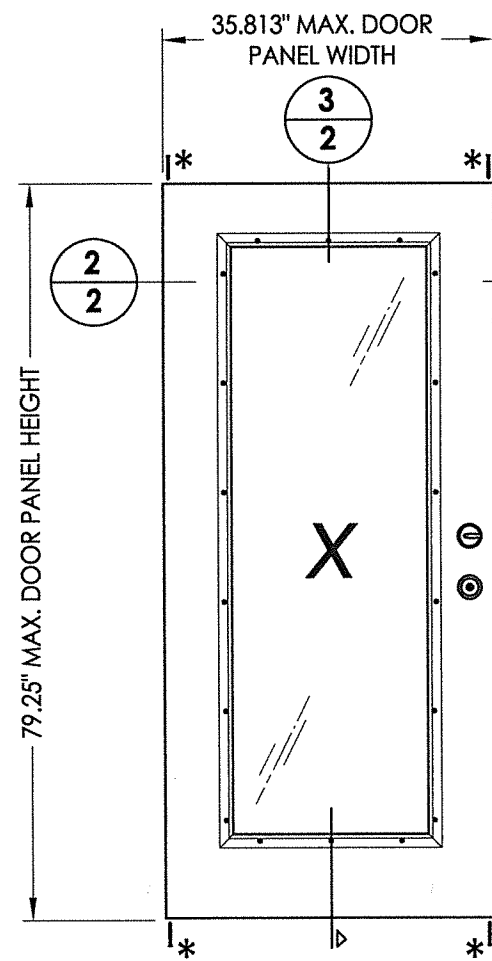
2  
2 **HORIZONTAL CROSS SECTION**



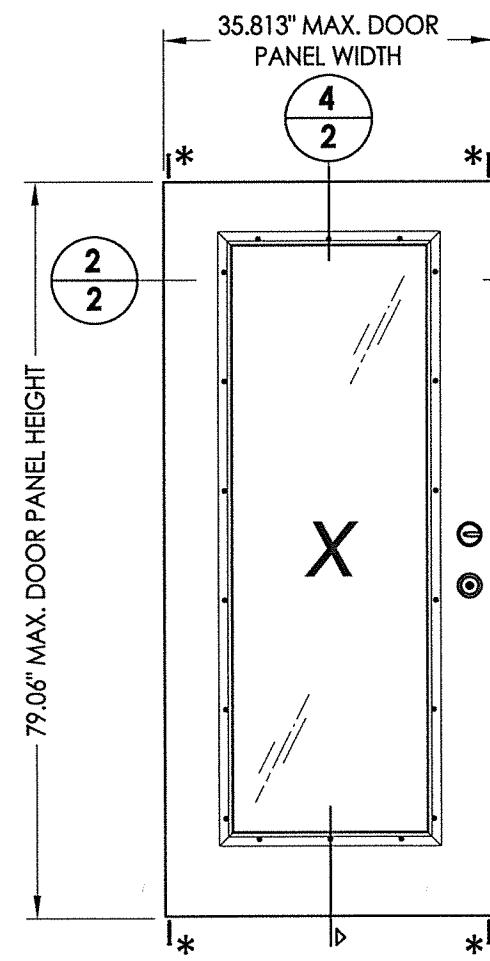
\*#8 X 2.5" PFH WS (TYP. @ EACH DOOR CORNER)



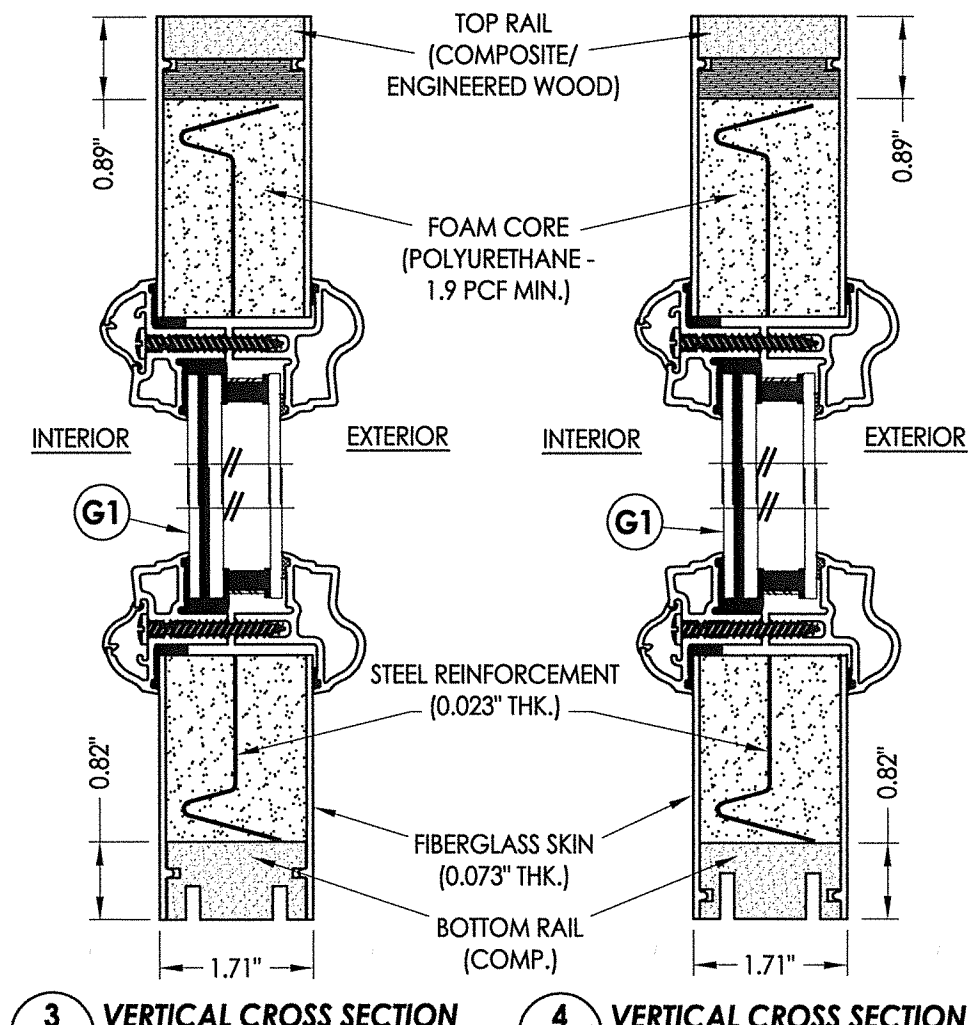
40 **DOOR PANEL**  
BOOK



41 **DOOR PANEL**  
Hybrid Door

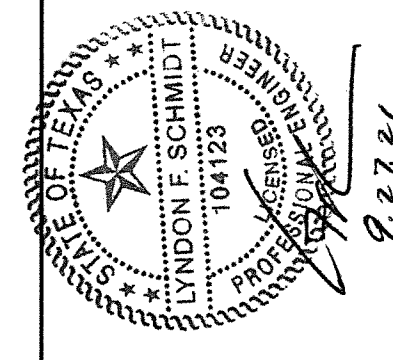


42 **DOOR PANEL**  
UI Door



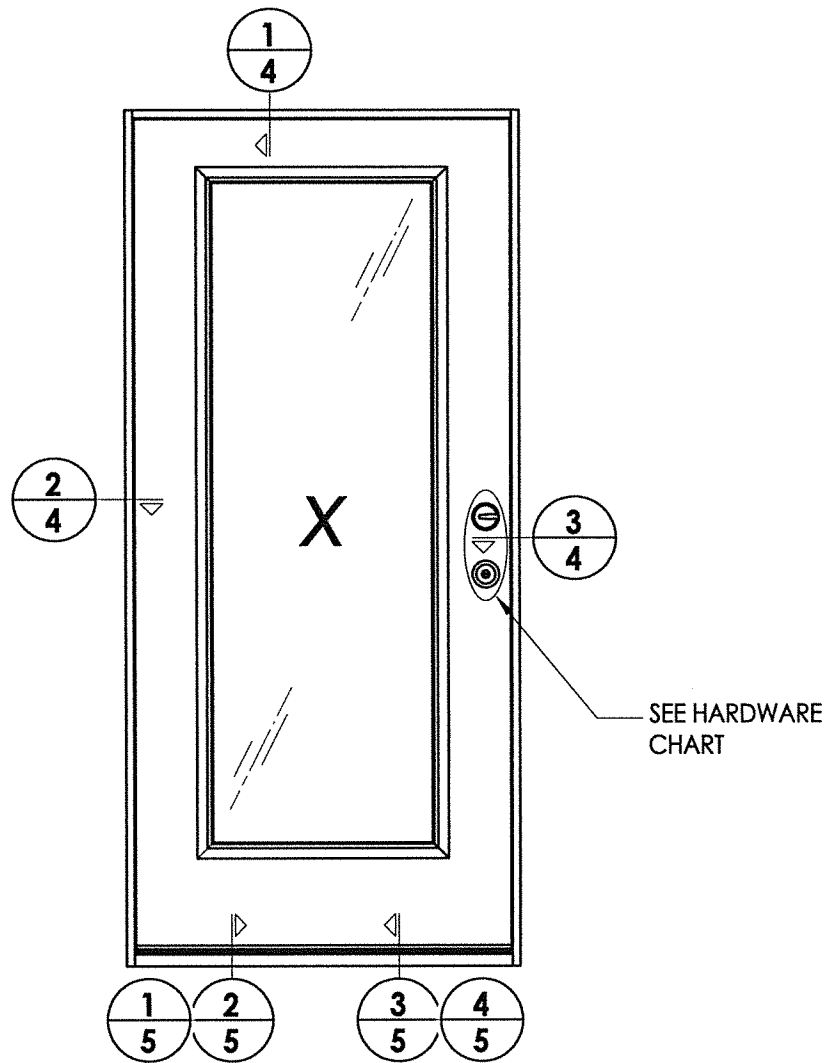
3  
2 **VERTICAL CROSS SECTION**

4  
2 **VERTICAL CROSS SECTION**

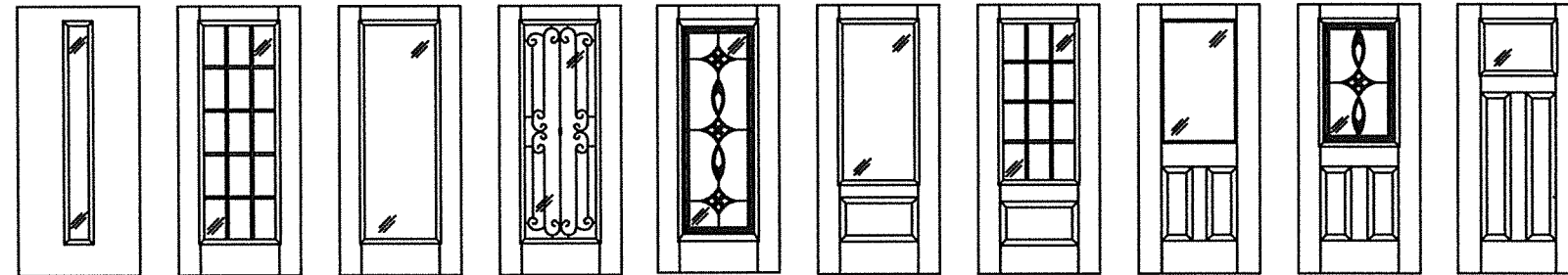


Documents Prepared By: Lyndon F. Schmidt, P.E.  
TEXAS P.E. #104123  
RW BUILDING CONSULTANTS, INC.  
P.O. Box 230 Valrico FL 33595  
Phone No.: 813.659.9197  
CERTIFICATE OF REGISTRATION # F-11852

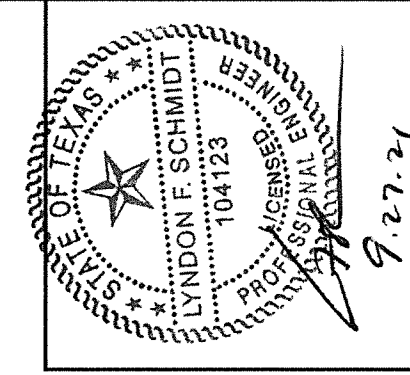
PRODUCT:	THERMA-TRU FIBERGLASS DOOR	
PART OR ASSEMBLY:	DOOR PANEL DETAILS	
NO.	DATE	BY
1	9/27/21	LFS
UPDATE TO 2018 IBC/IRC CODE		
REVISIONS		
DATE:	10/24/17	
SCALE:	N.T.S.	
DWG. BY:	JK	
CHK. BY:	LFS	
DRAWING NO.:	TX-4745	
SHEET	2	OF 9



HARDWARE TABLE	
MANUFACTURER	MODEL
SCHLAGE	KNOB: F51 DEADBOLT: B60
KWIKSET	KNOB: SIGNATURE SERIES DEADBOLT: SIGNATURE SERIES (980)
HOPPE (THERMA-TRU)	MULTIPOINT : MPDGART (3 pt. Manual Tongue)



**Fiber-Classic/Smooth-Star Door Panel Options**  
 Panel options shown are for illustration and are representative only  
 (similar glazed panel configurations are allowed)



Documents Prepared By: Lyndon F. Schmidt, P.E.  
 TEXAS P.E. #104123

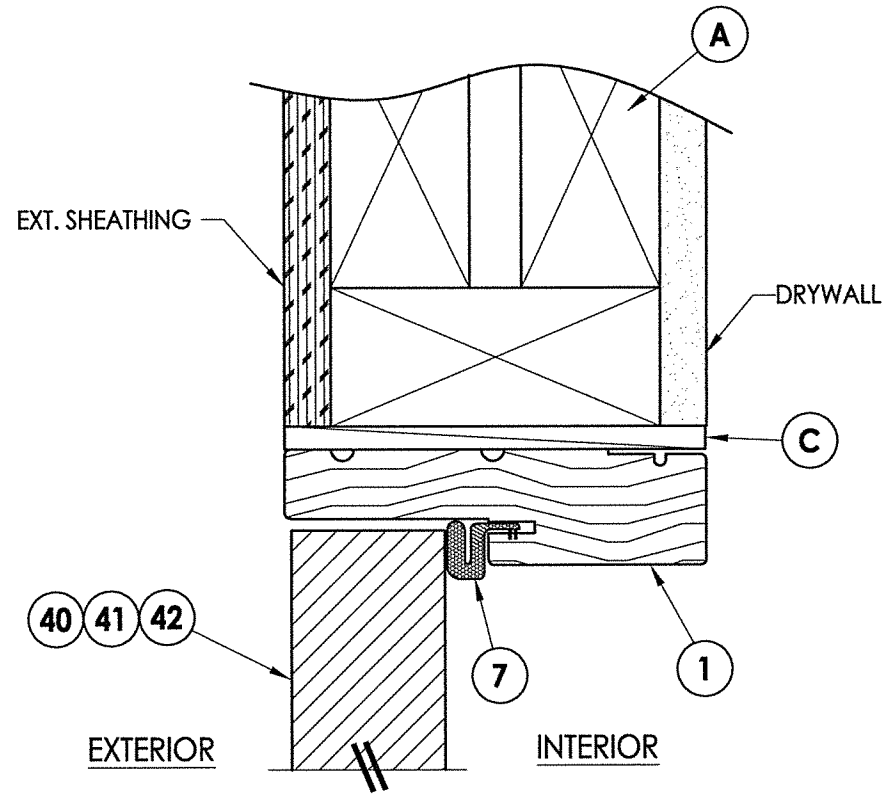
**RW** BUILDING CONSULTANTS, INC.  
 P.O. Box 230 Valrico FL 33595  
 Phone No.: 813.659.9197

CERTIFICATE OF REGISTRATION # F-11852

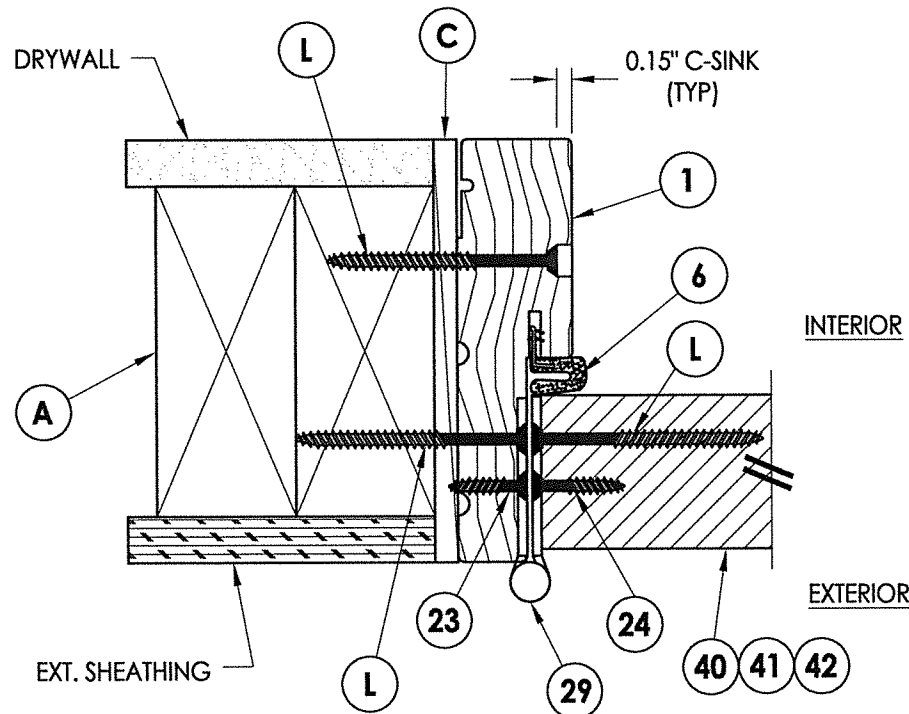
PRODUCT: THERMA-TRU  
 FIBERGLASS DOOR  
 PART OR ASSEMBLY:  
 ELEVATIONS

REVISIONS	
NO.	DATE
1	9/27/21
	UPDATE TO 2018 IBC/IRC CODE
	LFS
	BY

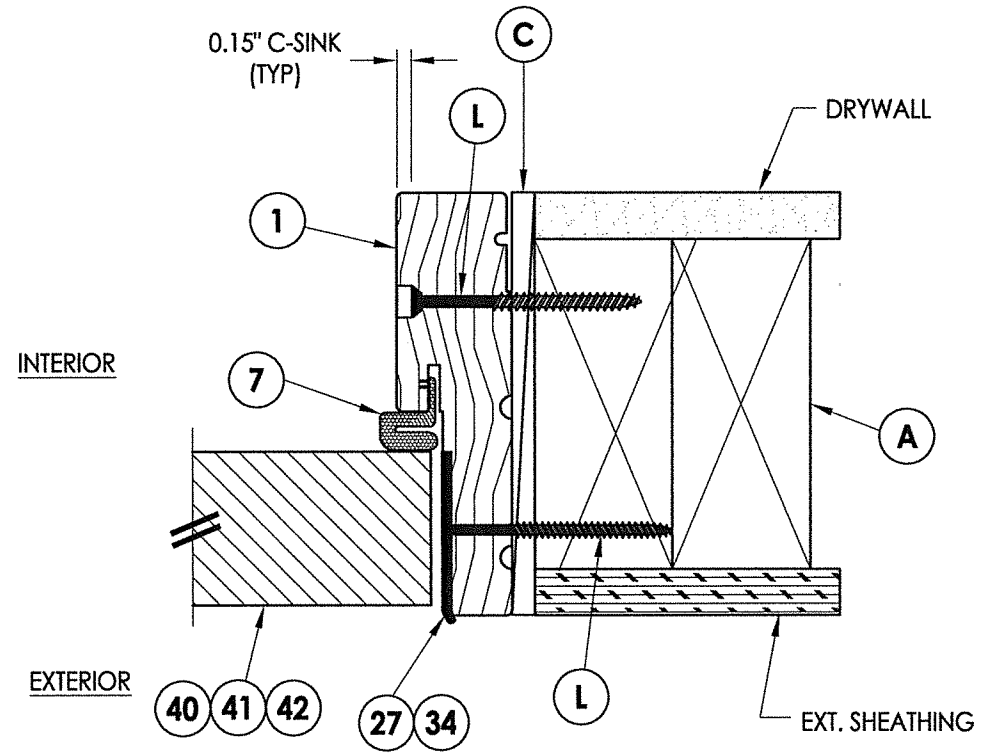
DATE: 10/24/17  
 SCALE: N.T.S.  
 DWG. BY: JK  
 CHK. BY: LFS  
 DRAWING NO.: TX-4745  
 SHEET 3 OF 9



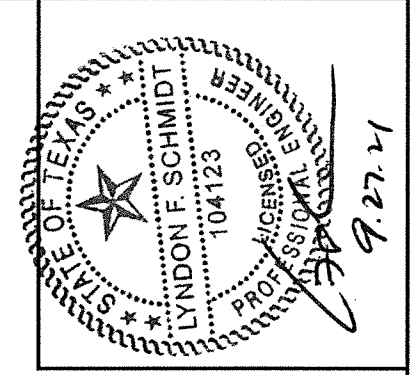
**1 VERTICAL CROSS SECTION**  
**4** Outswing shown (Inswing similar)



**2 HORIZONTAL CROSS SECTION**  
**4** Outswing shown (Inswing similar)



**3 HORIZONTAL CROSS SECTION**  
**4** Outswing shown (Inswing similar)



Documents Prepared By: Lyndon F. Schmidt, P.E.  
 TEXAS P.E. #104123

**RW** BUILDING CONSULTANTS, INC.  
 P.O. Box 230 Vairico FL 33595  
 Phone No.: 813.659.9197

CERTIFICATE OF REGISTRATION # F-11852

PRODUCT: THERMA-TRU FIBERGLASS DOOR  
 PART OR ASSEMBLY: HORIZONTAL & VERTICAL CROSS SECTIONS

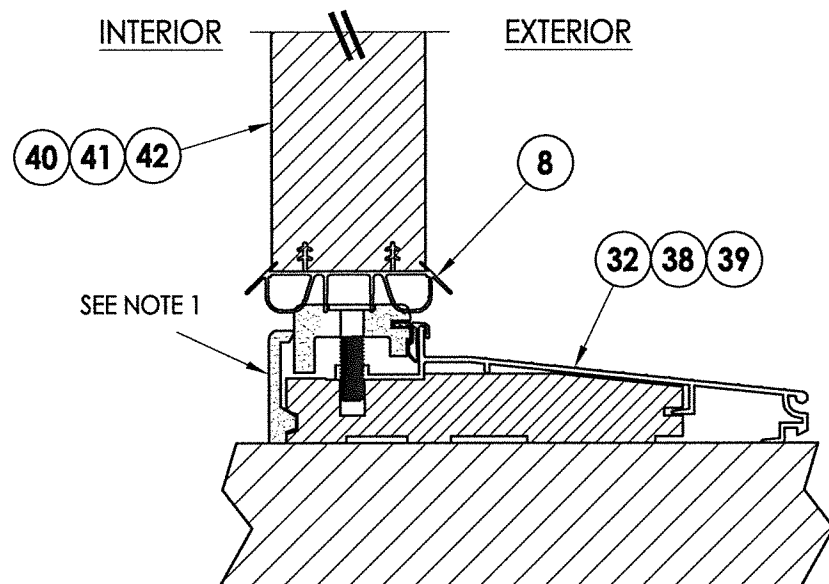
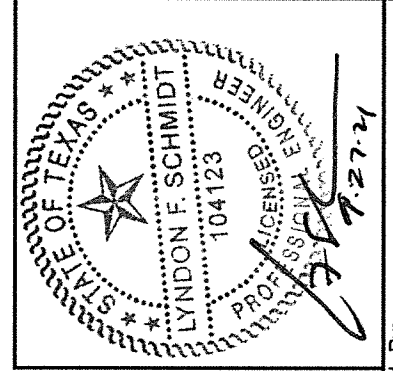
NO.	DATE	REVISIONS
1	9/27/21	UPDATE TO 2018 IBC/IRC CODE
		LFS
		BY

DATE: 10/24/17  
 SCALE: N.T.S.  
 DWG. BY: JK  
 CHK. BY: LFS  
 DRAWING NO.: TX-4745  
 SHEET 4 OF 9

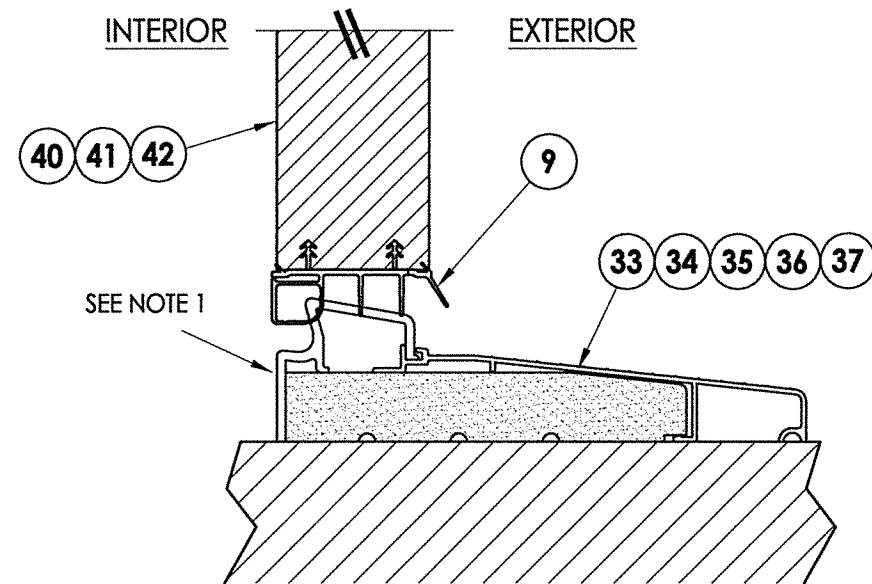
Z:\Clients\Therma Tru PERMANENT\B - Texas Dept of Ins\TDI - DR 952 - 6'8 & 8'0 Glazed Comp Edge Coastal Impact (TX 4745 - 4750)\C - Drawings\TX-4745-47.dwg

Notes:

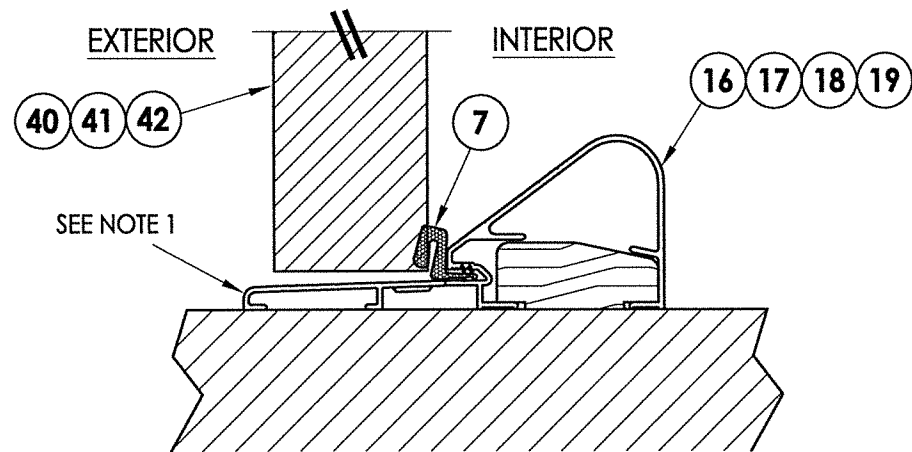
- 1. Sill Item #'s 16, 32, 33, 34, 35, 36, 37, 38 & 39 are attached to jambs w/ (3) #8 X 2-1/2" pph screws at each end.
- Sill Item #'s 17, 18 & 19 are attached to jambs w/ (2) #8 X 2-1/2" pph screws at each end.
- Sill Item #15 is attached to jambs utilizing (2) #10 X 1-1/2" pph screws at each end.



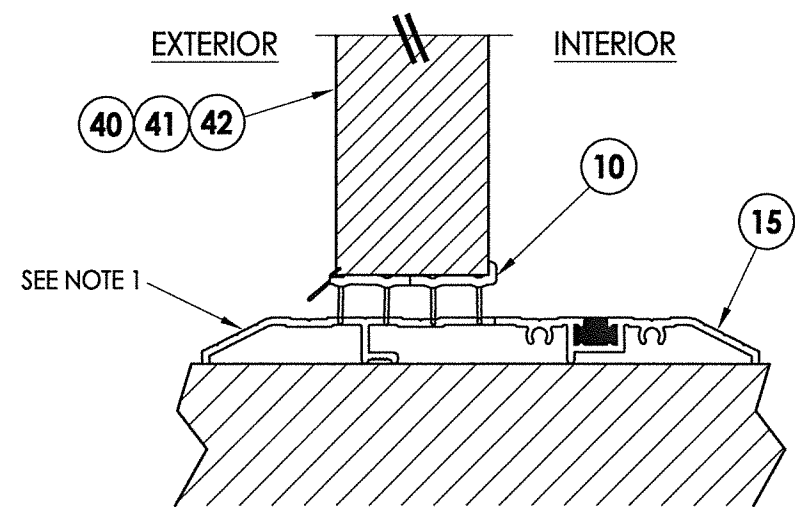
**1** VERTICAL CROSS SECTION  
**5** Inswing Sill



**2** VERTICAL CROSS SECTION  
**5** Inswing Sill



**3** VERTICAL CROSS SECTION  
**5** Outswing Sill (Coastal Sill Shown)



**4** VERTICAL CROSS SECTION  
**5** Public Access Sill

Documents Prepared By: Lyndon F. Schmidt, P.E.  
TEXAS P.E. #104123

**RW** BUILDING CONSULTANTS, INC.  
P.O. Box 230 Valrico FL 33595  
Phone No.: 813.659.9197

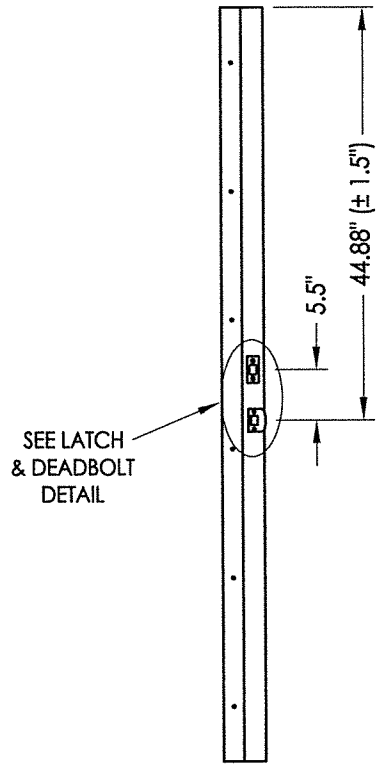
CERTIFICATE OF REGISTRATION # F-11852

PRODUCT: THERMA-TRU  
FIBERGLASS DOOR

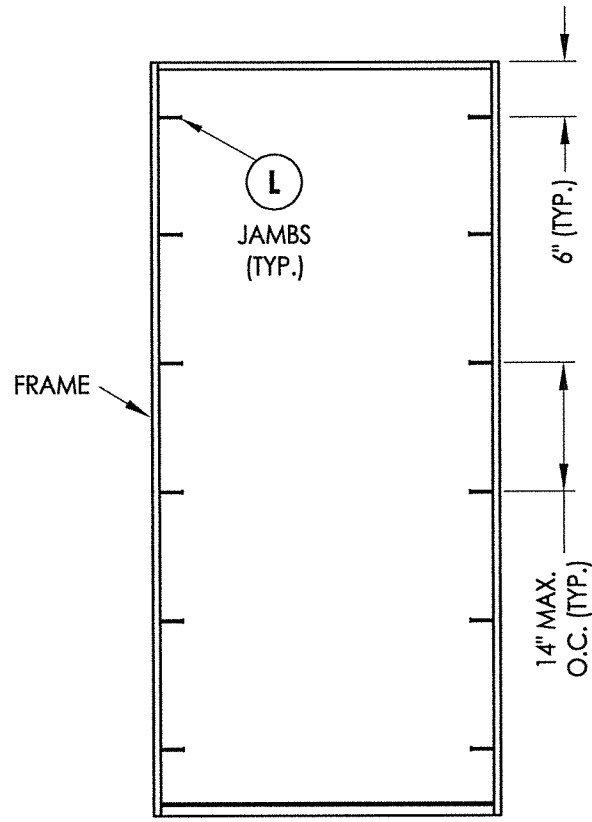
PART OR ASSEMBLY:  
VERTICAL CROSS  
SECTIONS (THRESHOLDS)

NO.	DATE	DESCRIPTION	BY
1	9/27/21	UPDATE TO 2018 IBC/IRC CODE	LFS

DATE: 10/24/17  
SCALE: N.T.S.  
DWG. BY: JK  
CHK. BY: LFS  
DRAWING NO.: TX-4745  
SHEET 5 OF 9

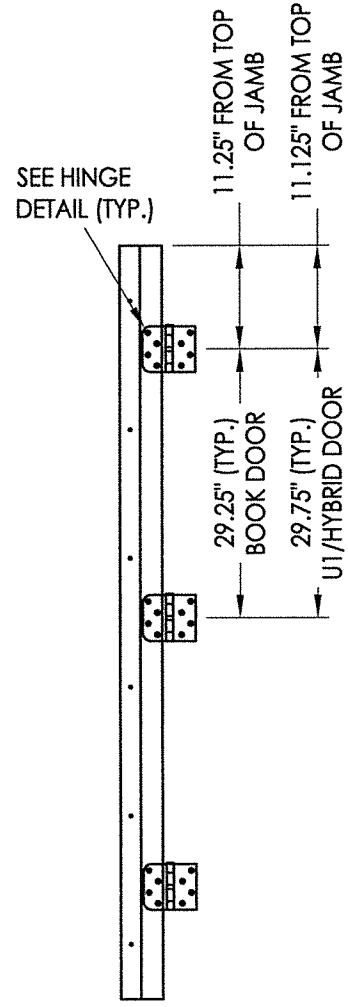


**STRIKE JAMB**  
Latch and Deadbolt

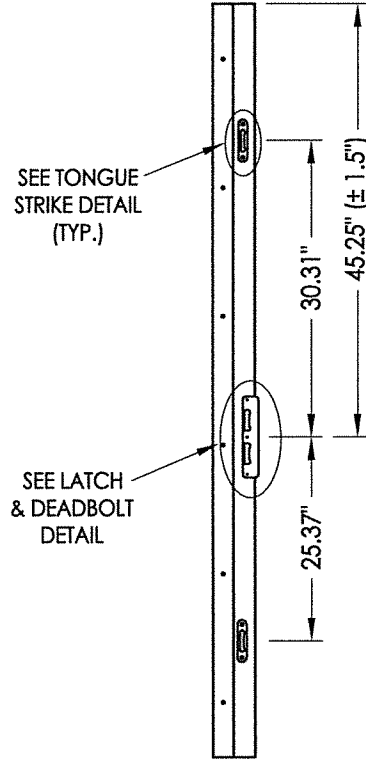


X

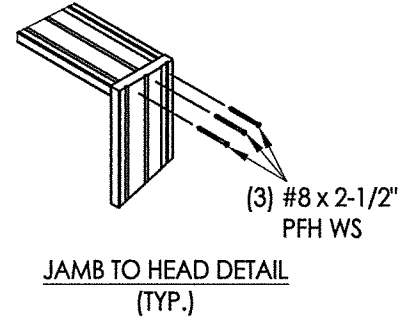
**FRAME ANCHORING**



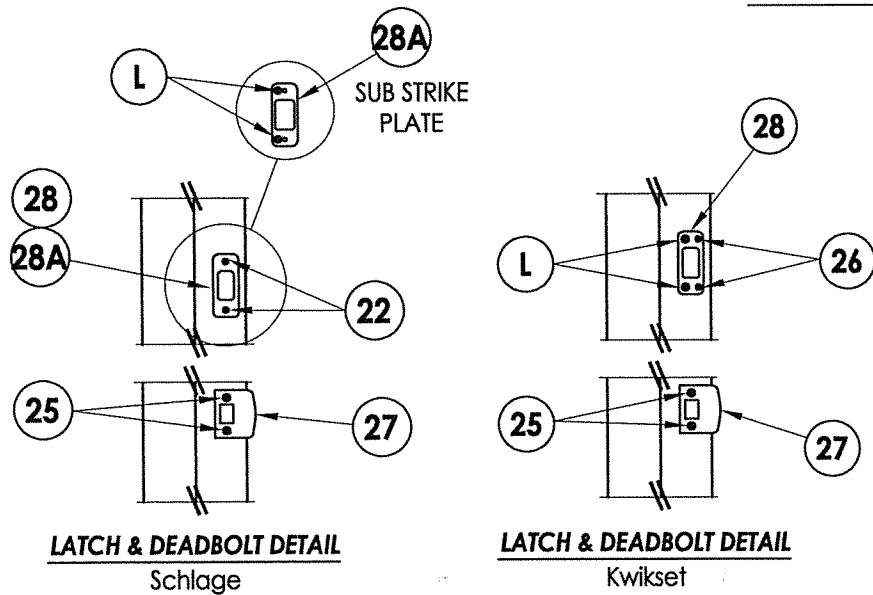
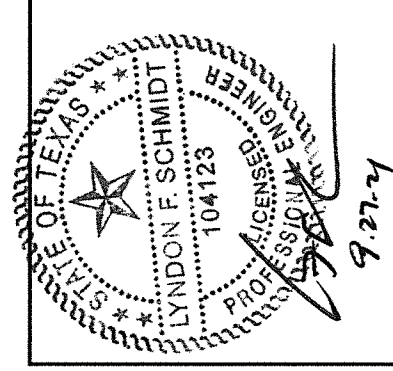
**HINGE JAMB**



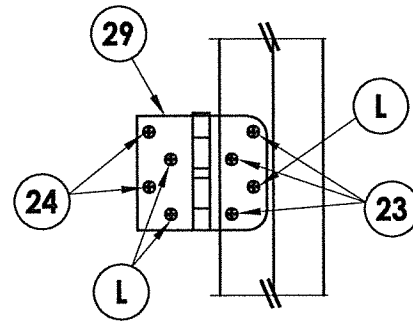
**STRIKE JAMB**  
Multipoint Lock



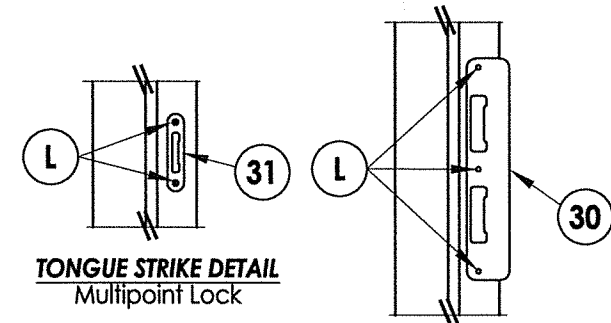
**JAMB TO HEAD DETAIL**  
(TYP.)



**LATCH & DEADBOLT STRIKE DETAILS**  
(Standard Deadbolt Strike Plate)



**HINGE DETAIL**



**TONGUE STRIKE DETAIL**  
Multipoint Lock

**LATCH & DEADBOLT DETAIL**  
Multipoint Lock

**MULTIPOINT LOCK STRIKE DETAILS**

PRODUCT:	Therma-TRU FIBERGLASS DOOR
PART OR ASSEMBLY:	FRAME ANCHORING & HARDWARE DETAILS

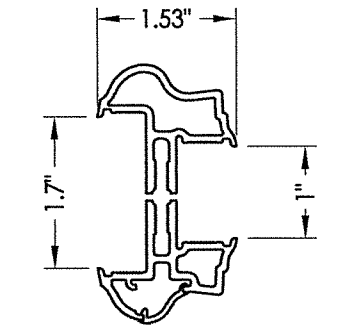
NO.	DATE	REVISIONS
1	9/27/21	UPDATE TO 2018 IBC/IRC CODE
		LFS
		BY

DATE:	10/24/17
SCALE:	N.T.S.
DWG. BY:	JK
CHK. BY:	LFS
DRAWING NO.:	TX-4745
SHEET	6 OF 9

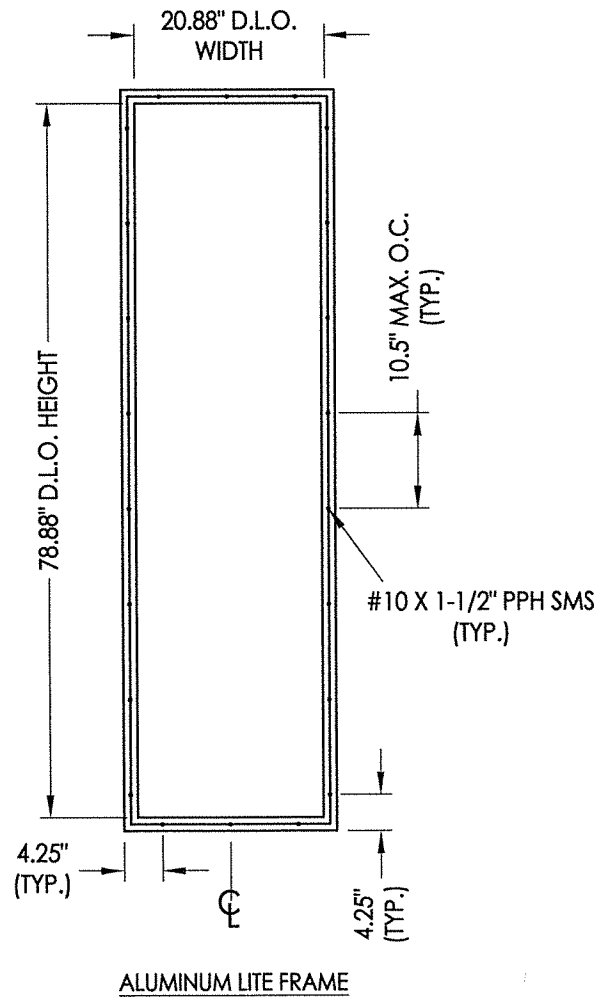
Documents Prepared By: Lyndon F. Schmidt, P.E.  
TEXAS P.E. #104123

**RW** BUILDING CONSULTANTS, INC.  
P.O. Box 230 Valrico FL 33595  
Phone No.: 813.659.9197

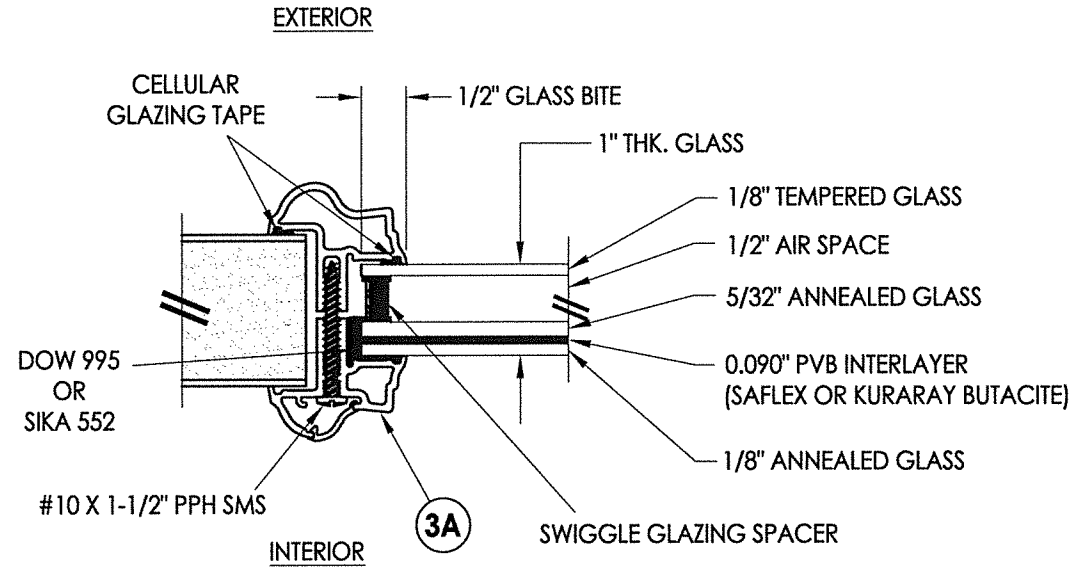
CERTIFICATE OF REGISTRATION # F-11852



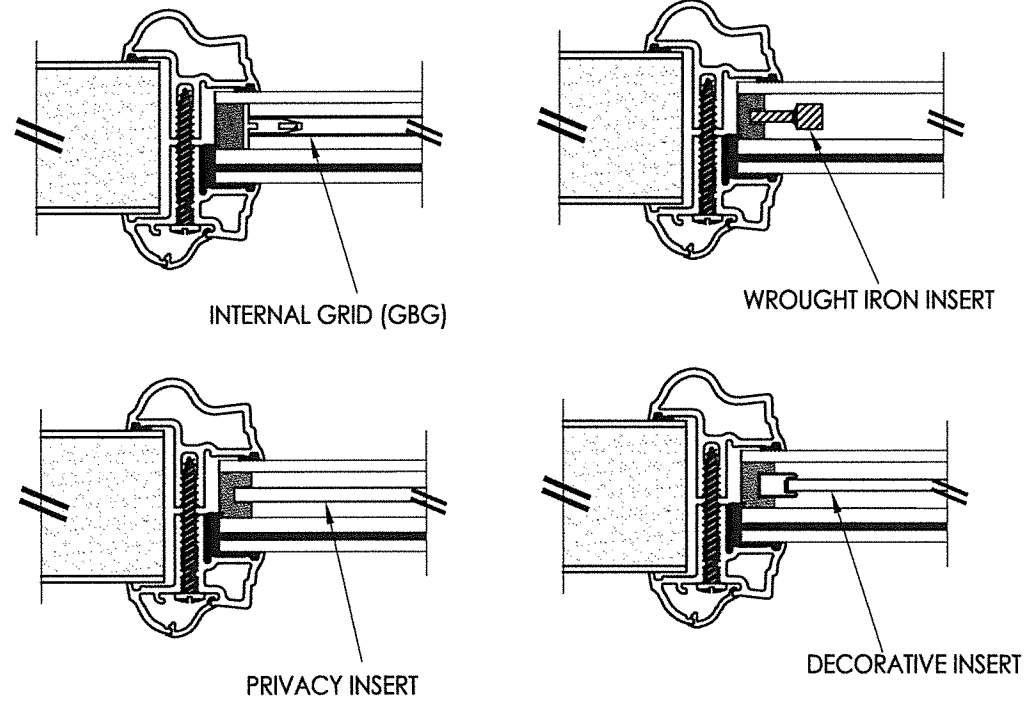
**3A ALUMINUM FRAME**  
Aluminum Impact Lite Frame  
Door Panels & Sidelites



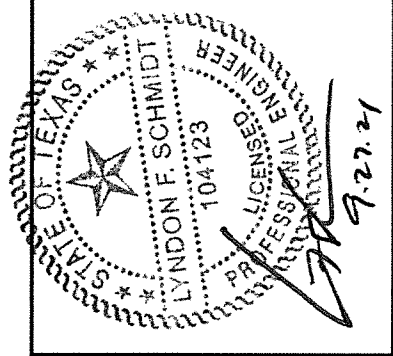
ALUMINUM LITE FRAME



**G1 GLAZING DETAIL**  
Aluminum Impact Lite Frame  
Door Panels & Sidelites



1" LAMINATED INSULATED IMPACT GLASS INSERT OPTIONS



Documents Prepared By: Lyndon F. Schmidt, P.E.  
TEXAS P.E. #104123

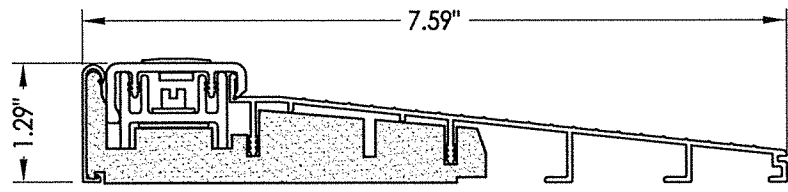
**RW** BUILDING CONSULTANTS, INC.  
P.O. Box 230 Vairico FL 33595  
Phone No.: 813.658.9187

CERTIFICATE OF REGISTRATION # F-11852

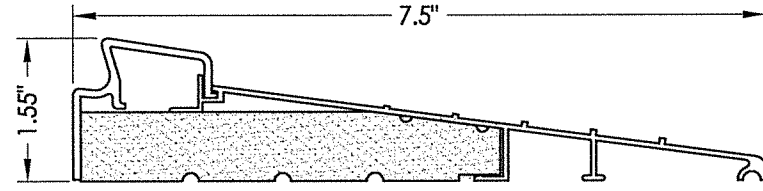
PRODUCT: THERMA-TRU FIBERGLASS DOOR	
PART OR ASSEMBLY: GLAZING DETAILS	
NO.	DATE
1	9/27/21
UPDATE TO 2018 IBC/IRC CODE	
LFS	BY
REVISIONS	
DATE: 10/24/17	
SCALE: N.T.S.	
DWG. BY: JK	
CHK. BY: LFS	
DRAWING NO.: TX-4745	
SHEET 7 OF 9	



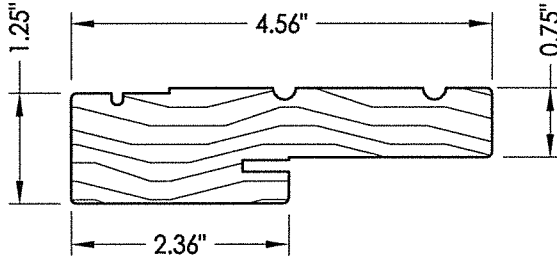
Z:\Clients\Therma Tru PERMANENT\B - Texas Dept of Ins\TDI - DR 952 - 68 & 8'0 Glazed Comp Edge Coastal Impact (TX 4745 - 4750)\C - Drawings\TX-4745-47.dwg



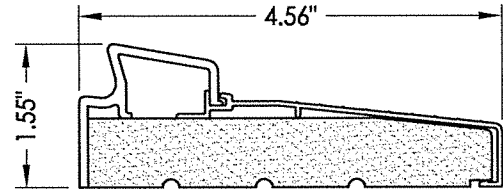
**32 INSWING THRESHOLD**  
Inswing Basic Composite Adjustable Sill 7-1/2"



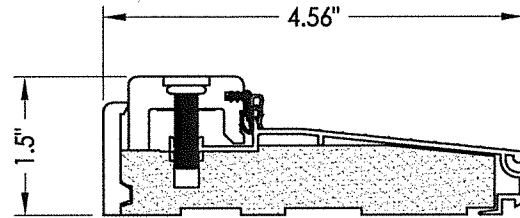
**37 INSWING THRESHOLD**  
Inswing Basic Fixed 7-1/2" Sill



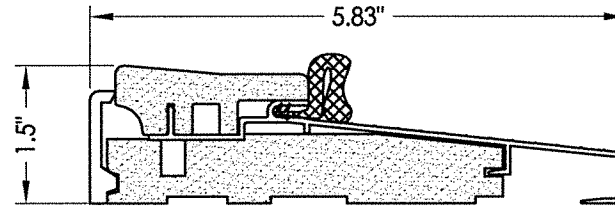
**1 WOOD JAMB**



**33 INSWING THRESHOLD**  
Inswing Basic Fixed Sill

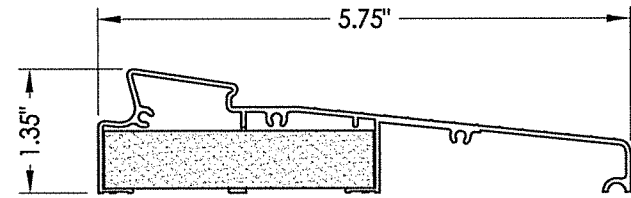


**38 INSWING THRESHOLD**  
Inswing Composite Adjustable Sill

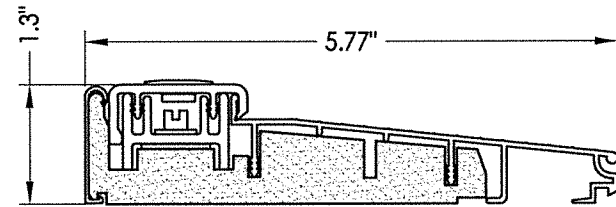


**16 OUTSWING THRESHOLD**  
Composite Sill

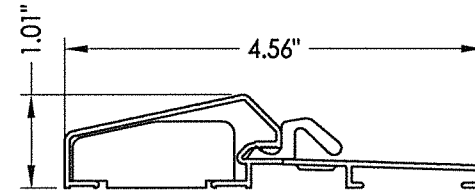
MAX. +55 PSF  
(where water infiltration is required)



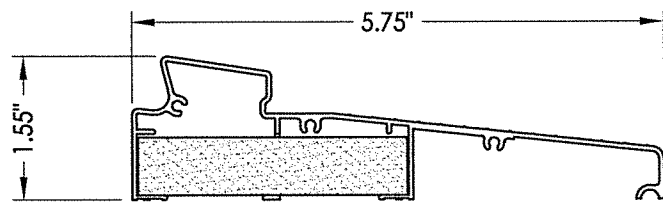
**34 INSWING THRESHOLD**  
Inswing Moderate Climate Sill 1-3/8"



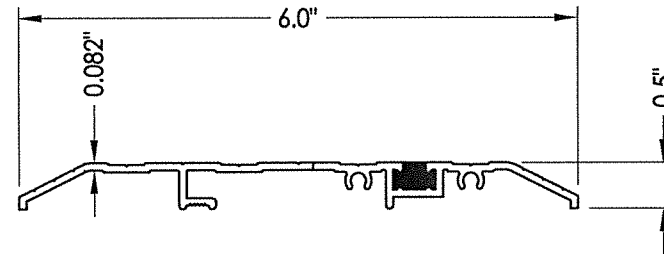
**39 INSWING THRESHOLD**  
Inswing Basic Composite Adjustable Sill



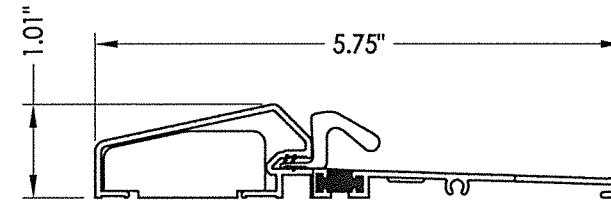
**17 OUTSWING THRESHOLD**  
Composite / Aluminum Sill



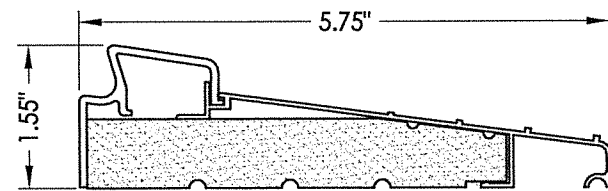
**35 INSWING THRESHOLD**  
Inswing Moderate Climate Sill



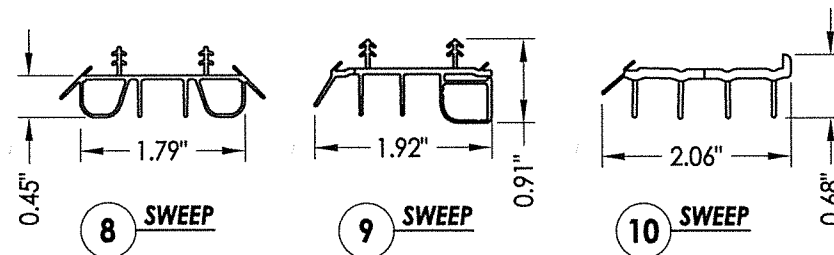
**15 PUBLIC ACCESS THRESHOLD**



**18 OUTSWING THRESHOLD**  
Composite / Aluminum Sill  
(Thermal Break)



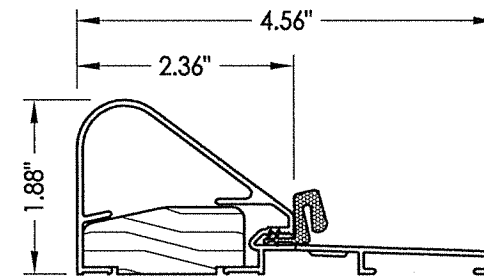
**36 INSWING THRESHOLD**  
Inswing Basic Fixed 5-3/4" Sill



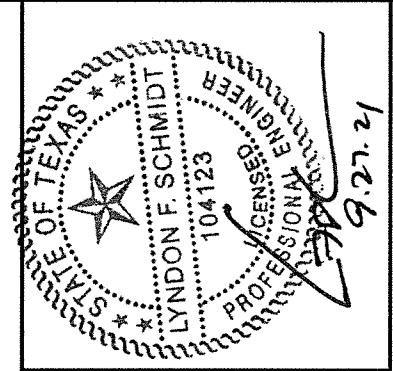
**8 SWEEP**

**9 SWEEP**

**10 SWEEP**



**19 COASTAL OUTSWING THRESHOLD**  
Wood / Aluminum Sill



Documents Prepared By: Lyndon F. Schmidt, P.E.  
TEXAS P.E. #104123

RW BUILDING CONSULTANTS, INC.  
P.O. Box 230 Valrico FL 33595  
Phone No.: 813.659.9197

CERTIFICATE OF REGISTRATION # F-11852

PRODUCT: THERMA-TRU FIBERGLASS DOOR  
PART OR ASSEMBLY: COMPONENTS

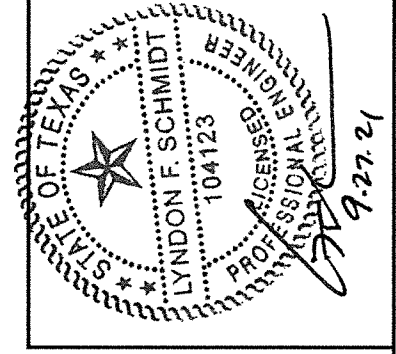
NO.	DATE	REVISIONS	BY
1	9/27/21	UPDATE TO 2018 IBC/IRC CODE	LFS

DATE: 10/24/17  
SCALE: N.T.S.  
DWG. BY: JK  
CHK. BY: LFS  
DRAWING NO.: TX-4745  
SHEET 8 OF 9



**BILL OF MATERIALS**

ITEM #	DESCRIPTION	MATERIAL
A	2X FRAMING (SG >= 0.42)	WOOD
C	1/4" MAX. SHIM SPACE	-
L	#10 X 2-1/2" PFH WOOD SCREW (1.15" MIN. EMBEDMENT)	STEEL
1	JAMB (FINGER JOINT PINE)	WOOD
6	WEATHERSTRIP (MEDIUM REACH)	FOAM
7	WEATHERSTRIP (LONG REACH)	FOAM
8	SWEEP	VINYL
9	SWEEP (USE w/ MODERATE CLIMATE THRESHOLD)	VINYL
10	SWEEP (USE w/ PUBLIC ACCESS THRESHOLD)	VINYL
15	PUBLIC ACCESS THRESHOLD	ALUM
16	OUTSWING THRESHOLD	ALUM/COMP
17	OUTSWING THRESHOLD	ALUM/COMP
18	OUTSWING THRESHOLD	ALUM/COMP
19	COASTAL OUTSWING THRESHOLD	ALUM/WOOD
22	#8 x 3/4" PFH WOOD SCREW	STEEL
23	#10 x 3/4" PFH WOOD SCREW	STEEL
24	#10 x 1" PFH WOOD SCREW	STEEL
25	#8 x 2-1/2" PFH WOOD SCREW	STEEL
26	#8 x 5/8" PFH WOOD SCREW	STEEL
27	LATCH STRIKE PLATE	STEEL
28	DEADBOLT SUB STRIKE PLATE	STEEL
28A	DEADBOLT SUB STRIKE PLATE	STEEL
29	4" X 4" HINGE	STEEL
30	LATCH & DEADBOLT STRIKE PLATE (TONGUE SYSTEM)	ALUM/COMP
31	MULTIPOINT STRIKE PLATE (TONGUE SYSTEM)	ALUM/COMP
32	INSWING THRESHOLD	ALUM/COMP
33	INSWING THRESHOLD	ALUM/COMP
34	INSWING THRESHOLD	ALUM/COMP
35	INSWING THRESHOLD	ALUM/COMP
36	INSWING THRESHOLD	ALUM/COMP
37	INSWING THRESHOLD	ALUM/COMP
38	INSWING THRESHOLD	ALUM/COMP
39	INSWING THRESHOLD	ALUM/COMP
40	DOOR PANEL (BOOK)	-
41	DOOR PANEL (HYBRID)	-
42	DOOR PANEL (U1)	-



Documents Prepared By: Lyndon F. Schmidt, P.E.  
TEXAS P.E. #104123

**RW** BUILDING CONSULTANTS, INC.  
P.O. Box 230 Valrico FL 33595  
Phone No.: 813.659.9197

CERTIFICATE OF REGISTRATION # F-11852

PRODUCT:		THERMA-TRU FIBERGLASS DOOR	
PART OR ASSEMBLY:		BILL OF MATERIALS	
NO.	DATE	DESCRIPTION	BY
1	9/27/21	UPDATE TO 2018 IBC/IRC CODE	LFS
REVISIONS			
DATE: 10/24/17			
SCALE: N.T.S.			
DWG. BY: JK			
CHK. BY: LFS			
DRAWING NO.: TX-4745			
SHEET 9 OF 9			