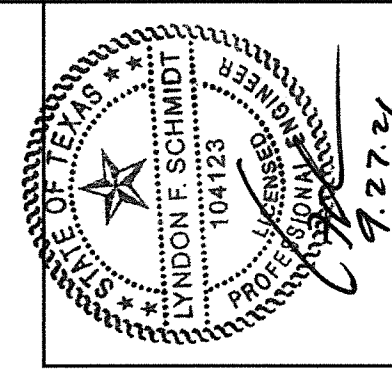
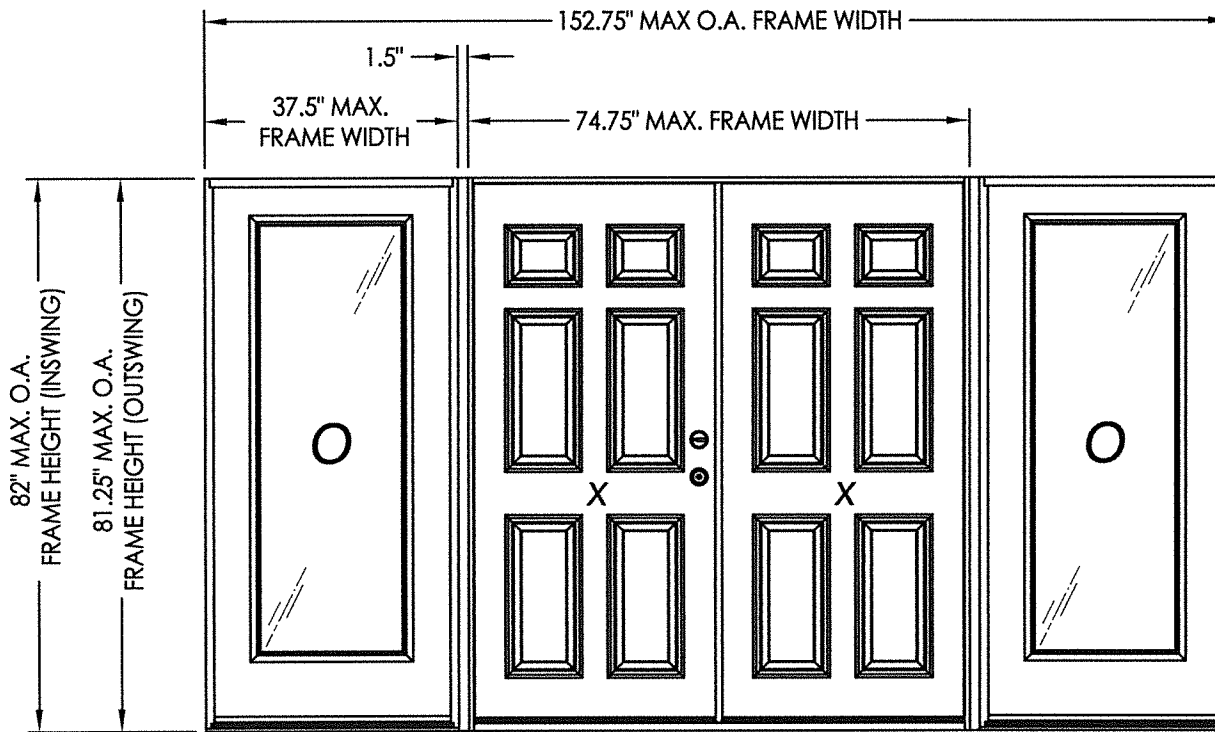
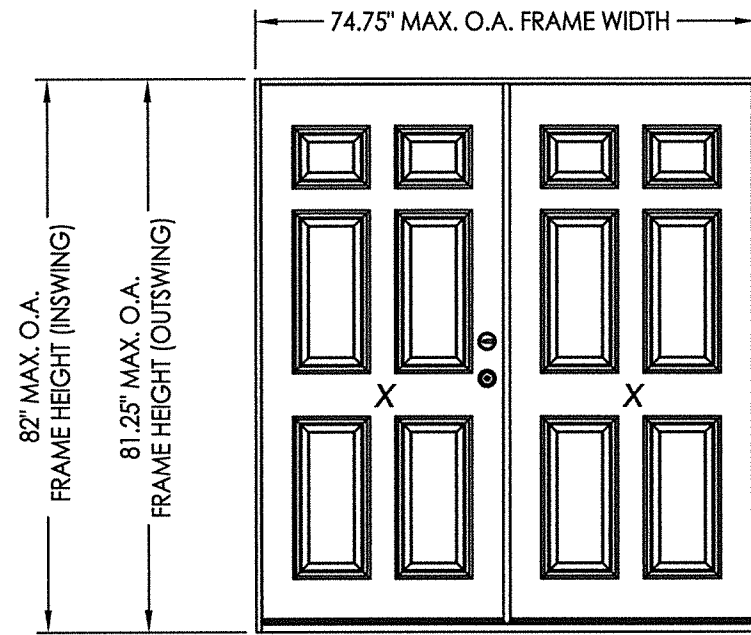


Z:\Clients\Therma Tru PERMANENT\B - Texas Dept of Ins\TDI - DR 950 - 6'8 & 8'0 Opaque Comp Edge Coastal Impact (TX 4735 - 4740)\C - Drawings\TX-4735-37.dwg

THERMA TRU® DOORS

Fiber-Classic® & Smooth-Star®

COMPOSITE EDGE OPAQUE FIBERGLASS DOUBLE DOOR w/ or w/out SIDELITES IN SWING/OUT SWING "COASTAL - IMPACT"



Documents Prepared By: Lyndon F. Schmidt, P.E.
TEXAS P.E. #104123

RW BUILDING CONSULTANTS, INC.
P.O. Box 230 Vairico FL, 33595
Phone No.: 813.659.9197

CERTIFICATE OF REGISTRATION # F-11852

EVALUATED FOR USE IN THE STATE OF TEXAS

TDI DR-950

The Fiberglass Door system described herein complies with the 2018 International Residential Code (IRC), Sections R301 & R609 and the 2018 International Building Code (IBC), Sections 1404.13, 1609, 1709.5, 2403 and 2404 subject to the following conditions:

1. Anchors shall be as listed and spaced as shown in the details. Anchor embedment to base material shall be beyond wall dressing or stucco.
2. This system has been tested and evaluated as a large missile impact protective system for installation in areas that require wind borne debris protection. This product meets missile level "D" as defined in ASTM E 1996.
3. Allowable design pressure requirements must be equal to or less than the design pressure rating shown in the design pressure chart, sheet 1 of this drawing.
4. Conditions not covered by this drawing are subject to further engineering analysis.
5. Fiber-Classic and Smooth-Star Door & Sidelite panels require the use of "J" part numbers. These door panels must be stained or painted within six months of installation.

TABLE OF CONTENTS

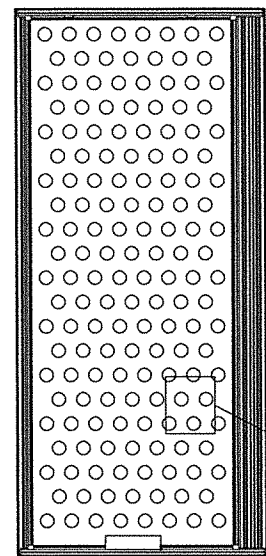
SHEET #	DESCRIPTION
1	Typical Elevations, Design Pressures & General Notes
2	Door Panel Details
3	Sidelite Panel Details
4	Elevations
5	Horizontal & Vertical Cross Sections
6	Vertical Cross Sections (Thresholds)
7	Frame Anchoring
8	Hardware Details
9	Glazing Details
10	Components
11	Bill of Materials

CONFIGURATION	LOCK HARDWARE	DESIGN PRESSURE (PSF) INSWING		DESIGN PRESSURE (PSF) OUTSWING	
		POSITIVE	NEGATIVE	POSITIVE	NEGATIVE
XX	Latch & Deadbolt	+60.0	-60.0	+60.0	-60.0
OXXO	Latch & Deadbolt	+55.0	-55.0	+55.0	-55.0
XX, OXXO	Multipoint	+55.0	-55.0	+55.0	-55.0

See Sheet 4 for Hardware Specifications

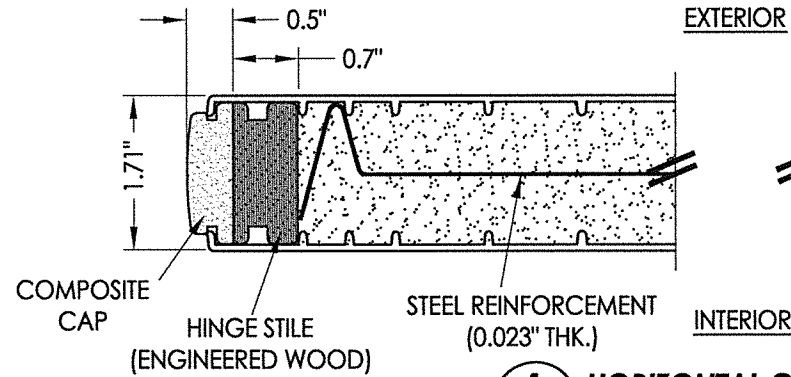
PRODUCT:		THERMA-TRU FIBERGLASS DOOR	
PART OR ASSEMBLY:		TYPICAL ELEVATION, DESIGN PRESSURES & GENERAL NOTES	
NO.	DATE	BY	REVISIONS
1	9/27/21	LFS	UPDATE TO 2018 IBC/IRC CODE
DATE: 10/24/17		SCALE: N.T.S.	
DWG. BY: JK		CHK. BY: LFS	
DRAWING NO.: TX-4737		SHEET 1 OF 11	

Z:\Clients\Therma Tru PERMANENT\B - Texas Dept of Ins\TDI - DR 950 - 6'8 & 8'0 Opaque Comp Edge Coastal Impact (TX 4735 - 4740)\C - Drawings\TX-4735-37.dwg

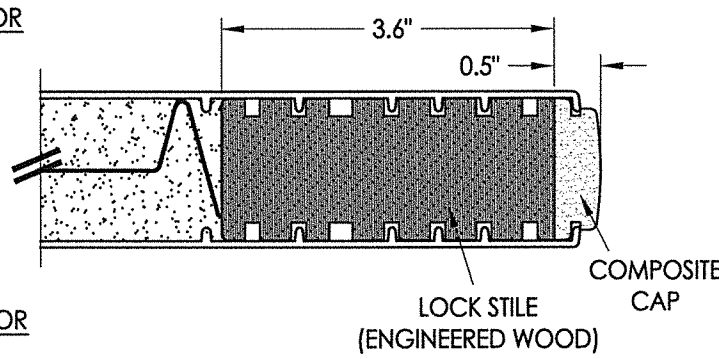


DETAIL A-A
 PANEL REINFORCEMENT
 (0.023" Thick Steel)
 STEEL REINFORCEMENT
 28.86% OPEN
 AREA MAX.
 2" DIA. MAX.

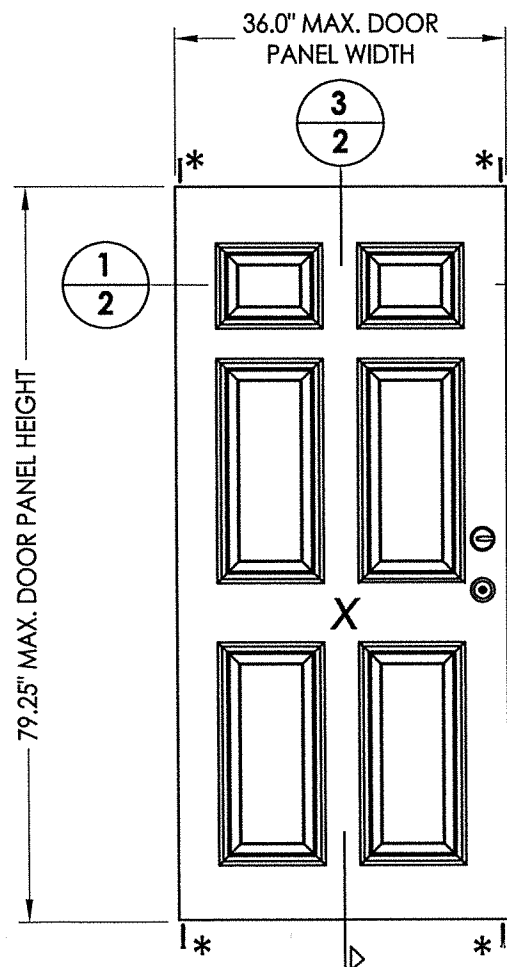
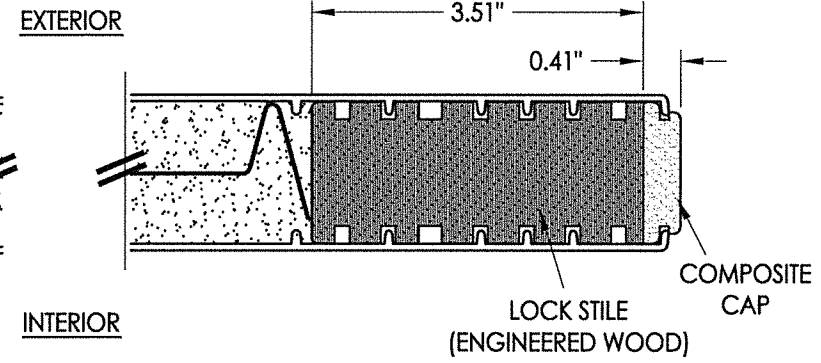
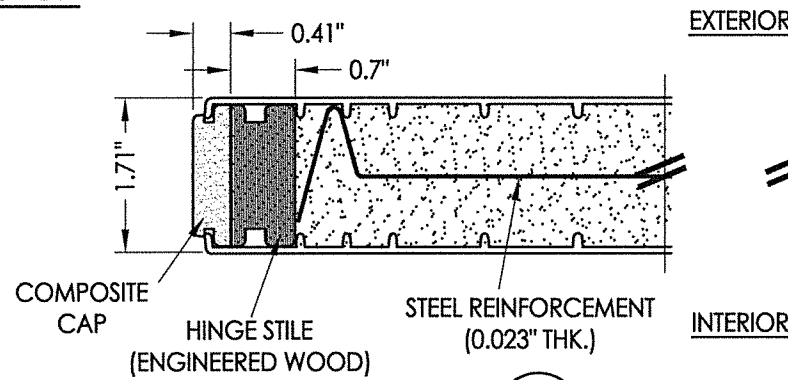
* #8 X 2.5" PFH WS (TYP. @ EACH DOOR CORNER)



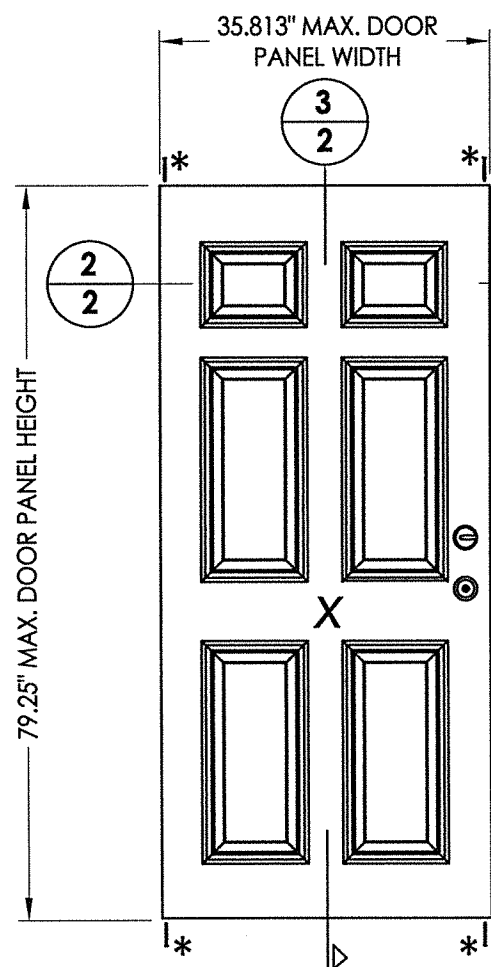
1
2
HORIZONTAL CROSS SECTION



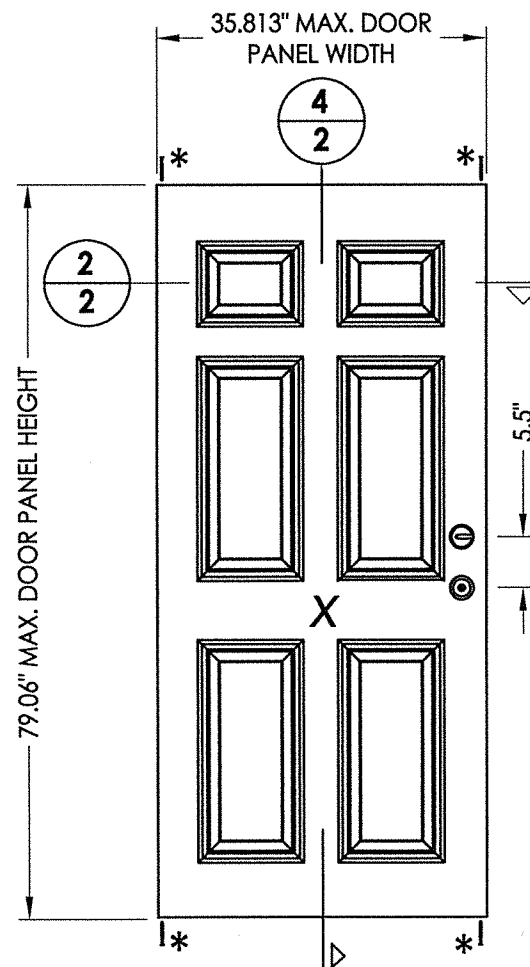
2
2
HORIZONTAL CROSS SECTION



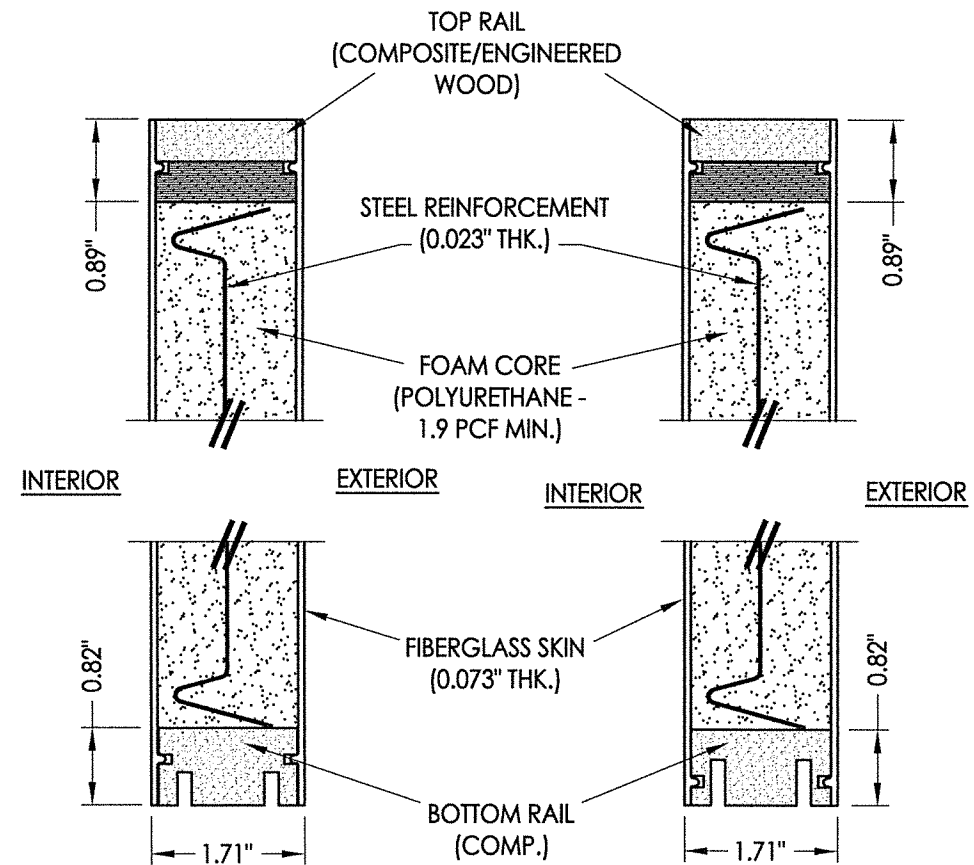
40
DOOR PANEL
 BOOK



41
DOOR PANEL
 Hybrid Door

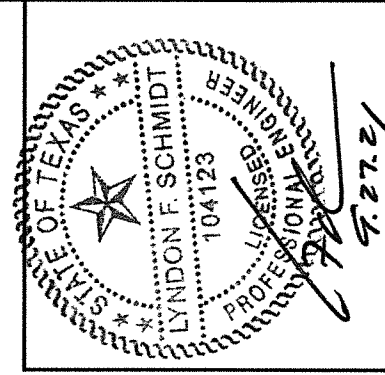


42
DOOR PANEL
 U1 Door



3
2
VERTICAL CROSS SECTION

4
2
VERTICAL CROSS SECTION



Documents Prepared By: Lyndon F. Schmidt, P.E.
 TEXAS P.E. #104123

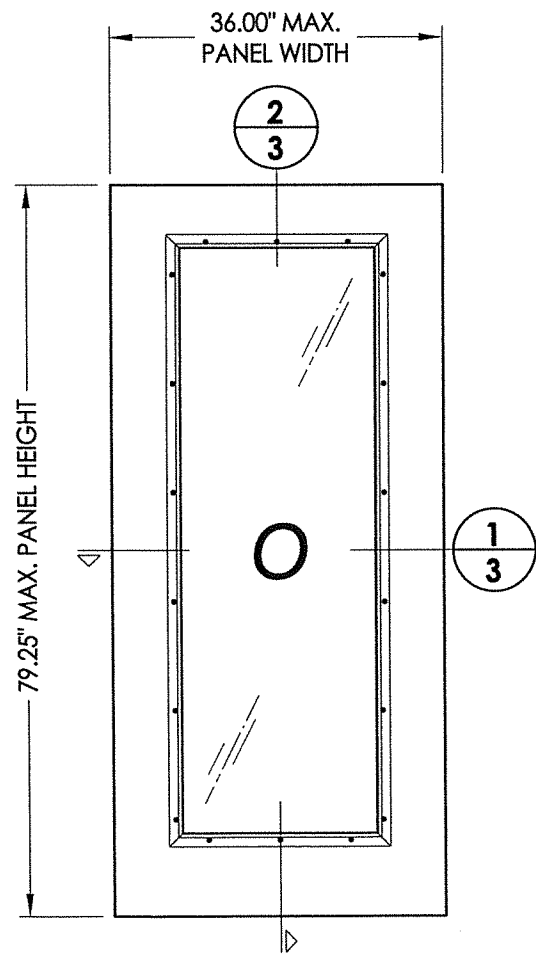
RW BUILDING CONSULTANTS, INC.
 P.O. Box 230 Varico FL 33595
 Phone No.: 813.659.9197

CERTIFICATE OF REGISTRATION # F-11852

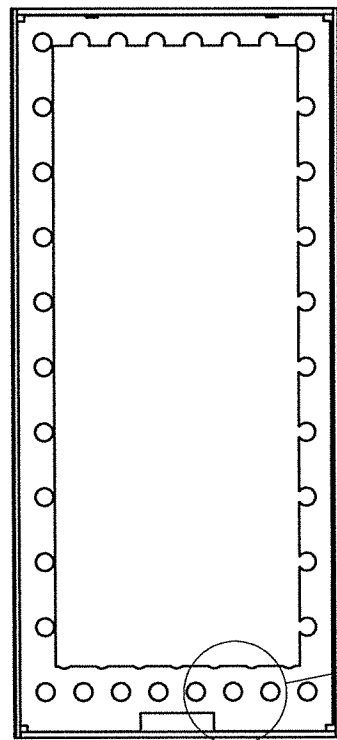
PRODUCT: THERMA-TRU
 FIBERGLASS DOOR
 PART OR ASSEMBLY:
 DOOR PANEL DETAILS

NO.	DATE	REVISIONS
1	9/27/21	UPDATE TO 2018 IBC/IRC CODE
		LFS
		BY

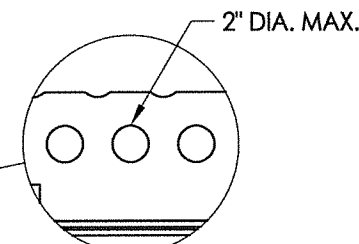
DATE: 10/24/17
 SCALE: N.T.S.
 DWG. BY: JK
 CHK. BY: LFS
 DRAWING NO.: TX-4737
 SHEET 2 OF 11



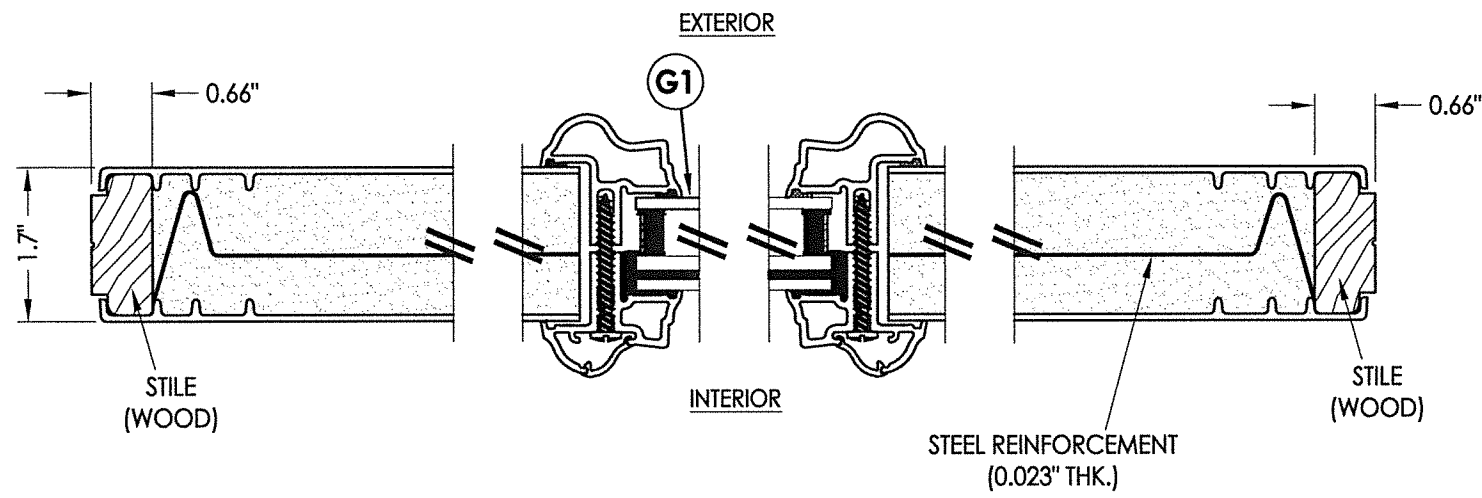
50 SIDELITE PANEL



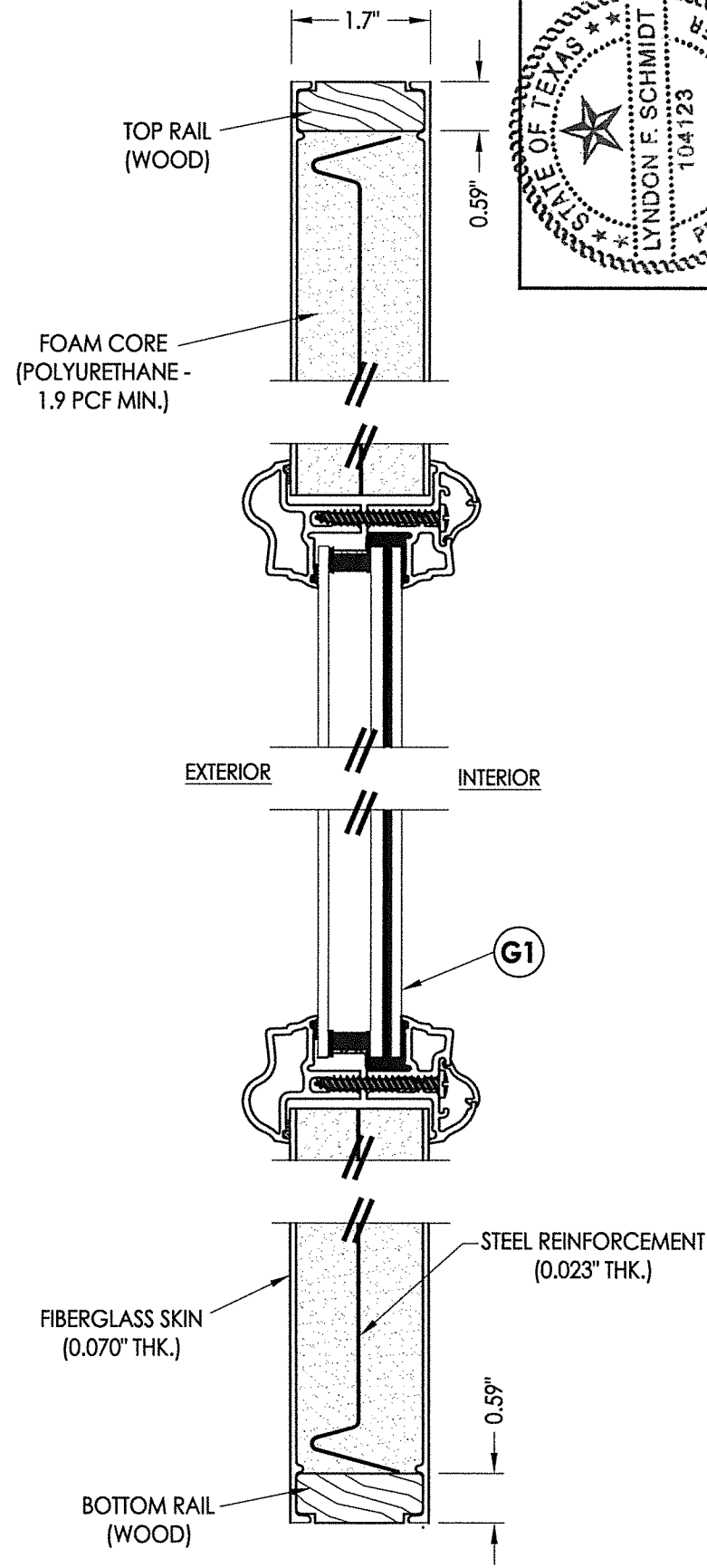
DETAIL A-A
PANEL REINFORCEMENT
(0.023" Thick Steel)



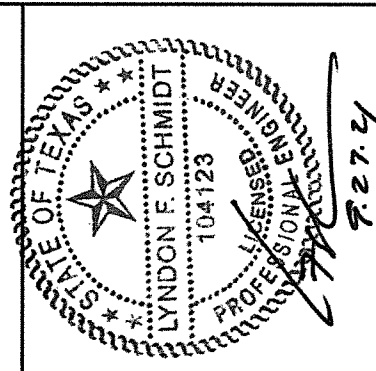
STEEL REINFORCEMENT
28.86% OPEN
AREA MAX.



1 HORIZONTAL CROSS SECTION



2 VERTICAL CROSS SECTION



Documents Prepared By: Lyndon F. Schmidt, P.E.
TEXAS P.E. #104123

RW BUILDING CONSULTANTS, INC.
P.O. Box 230 Valrico FL 33595
Phone No.: 813.659.9197

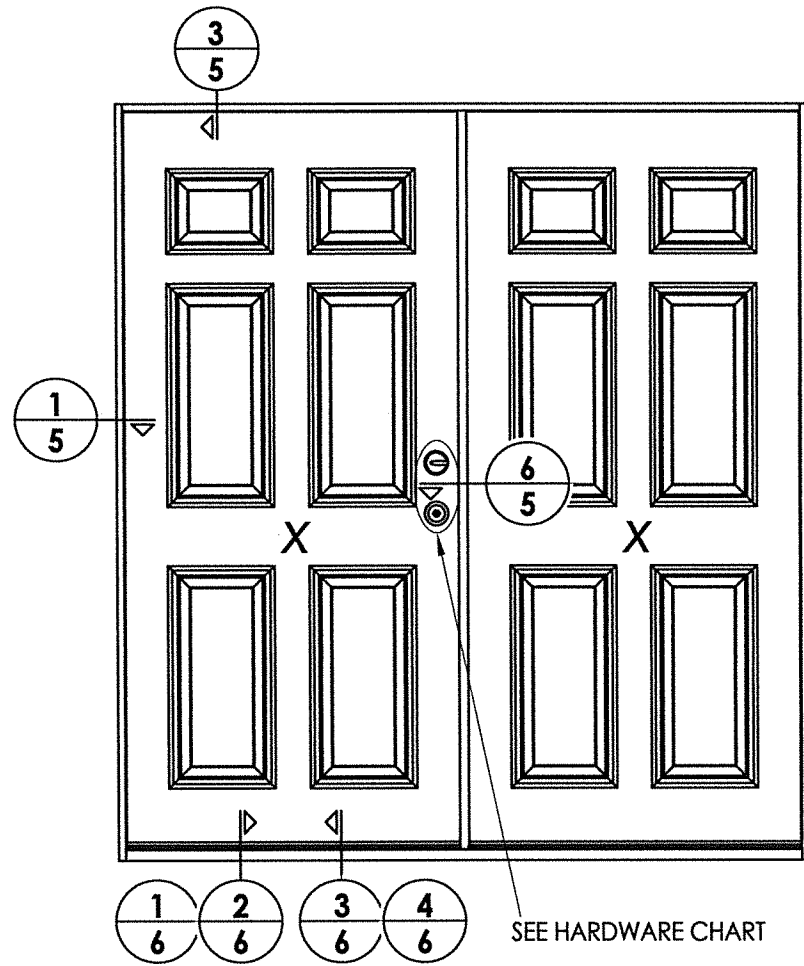
CERTIFICATE OF REGISTRATION # F-11852

PRODUCT: THERMA-TRU
FIBERGLASS DOOR

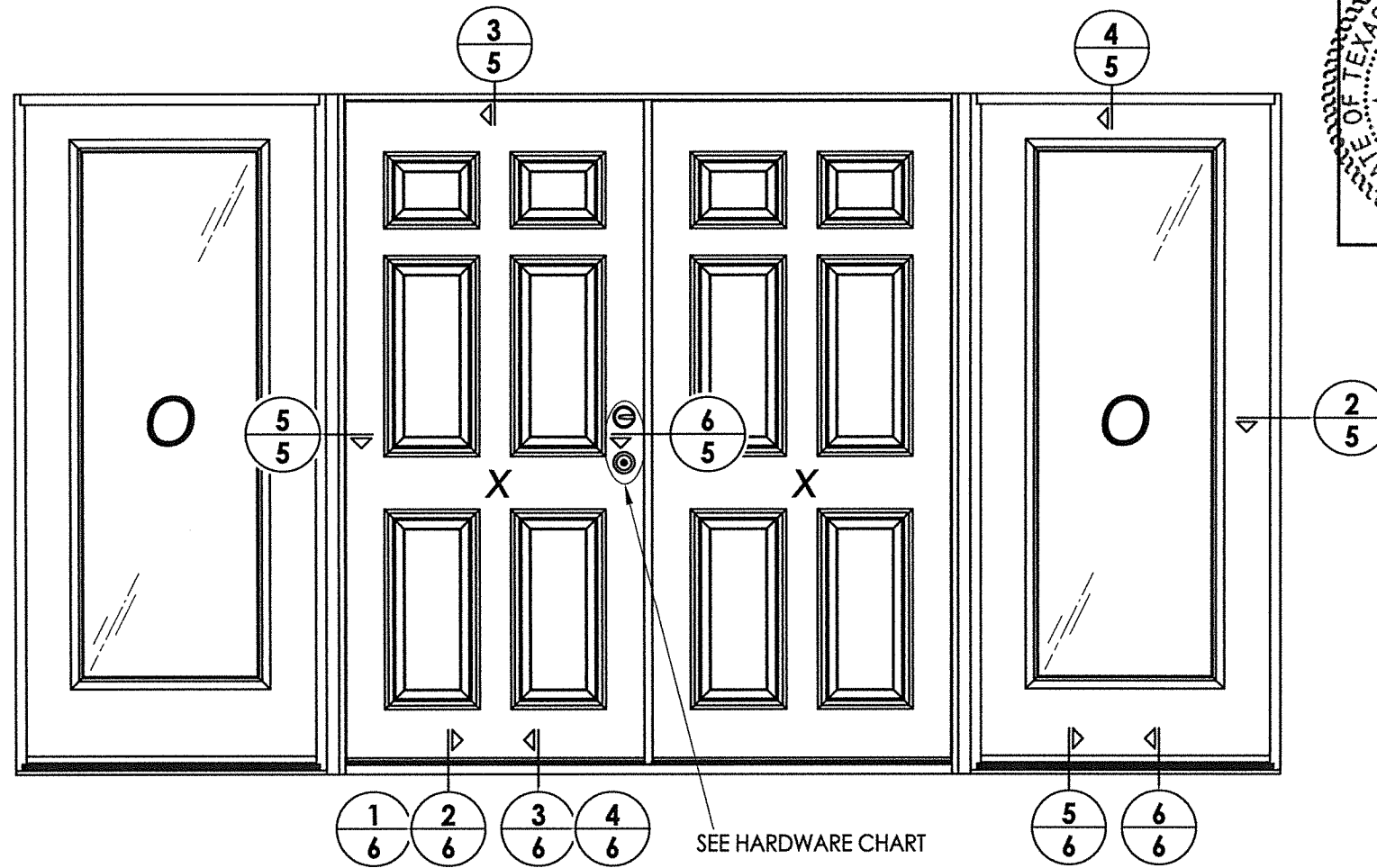
PART OR ASSEMBLY:
SIDELITE PANEL DETAILS

NO.	DATE	DESCRIPTION	BY
1	9/27/21	UPDATE TO 2018 IBC/IRC CODE	LFS

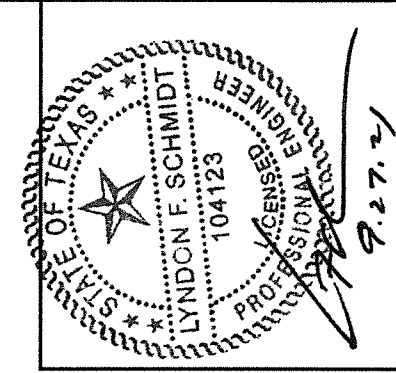
DATE: 10/24/17
SCALE: N.T.S.
DWG. BY: JK
CHK. BY: LFS
DRAWING NO.: TX-4737
SHEET 3 OF 11



ELEVATION
XX



ELEVATION
OXXO



Documents Prepared By: Lyndon F. Schmidt, P.E.
TEXAS P.E. #104123

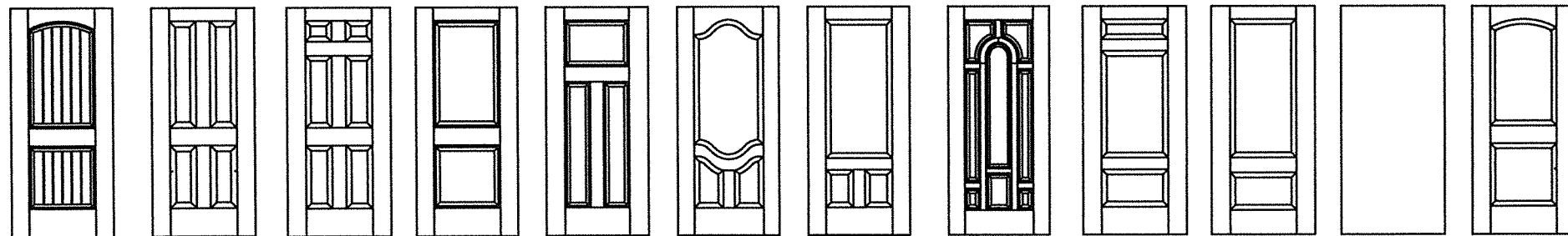
RW BUILDING CONSULTANTS, INC.
P.O. Box 230 Vairico FL 33595
Phone No.: 813.659.9197

CERTIFICATE OF REGISTRATION # F-11852

PRODUCT: THERMA-TRU FIBERGLASS DOOR
PART OR ASSEMBLY: ELEVATIONS

NO.	DATE	REVISIONS
1	9/27/21	UPDATE TO 2018 IBC/IRC CODE
		LFS
		BY

DATE: 10/24/17
SCALE: N.T.S.
DWG. BY: JK
CHK. BY: LFS
DRAWING NO.: TX-4737
SHEET 4 OF 11

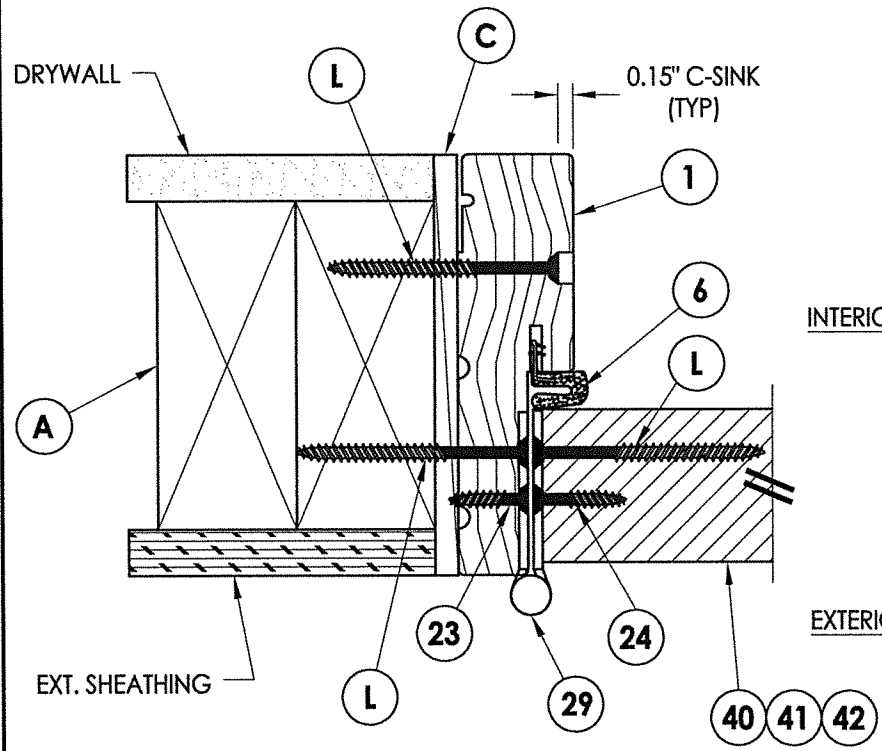


Fiber-Classic/Smooth-Star Door Panel Options

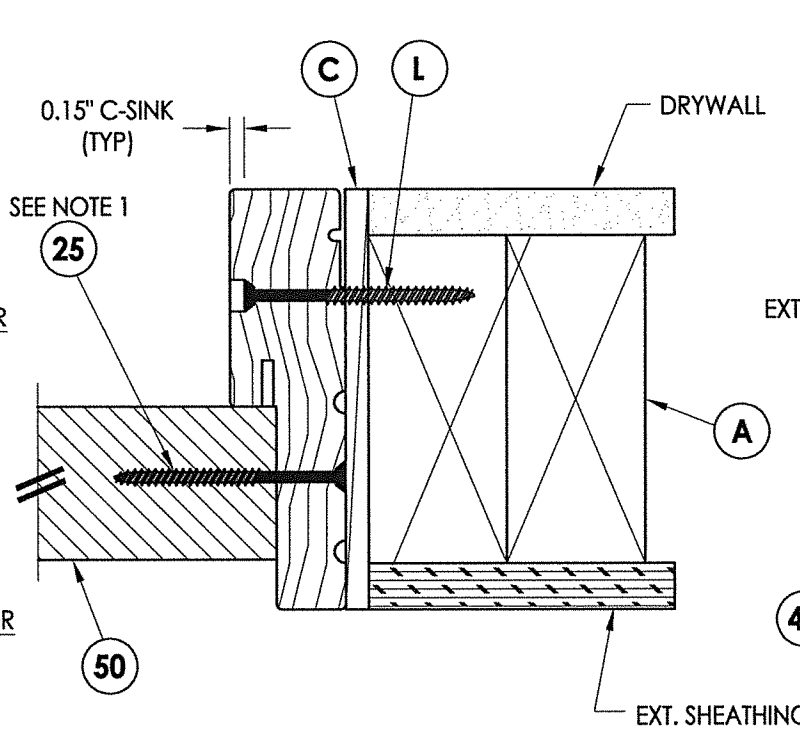
Panel options shown are for illustration and are representative only
(similar opaque panel configurations are allowed)

HARDWARE TABLE	
MANUFACTURER	MODEL
SCHLAGE	KNOB: F51 DEADBOLT: B60
KWIKSET	KNOB: SIGNATURE SERIES DEADBOLT: SIGNATURE SERIES (980)
HOPPE (THERMA-TRU)	MULTIPOINT : MPDGSB (3 pt. Manual Shootbolt)

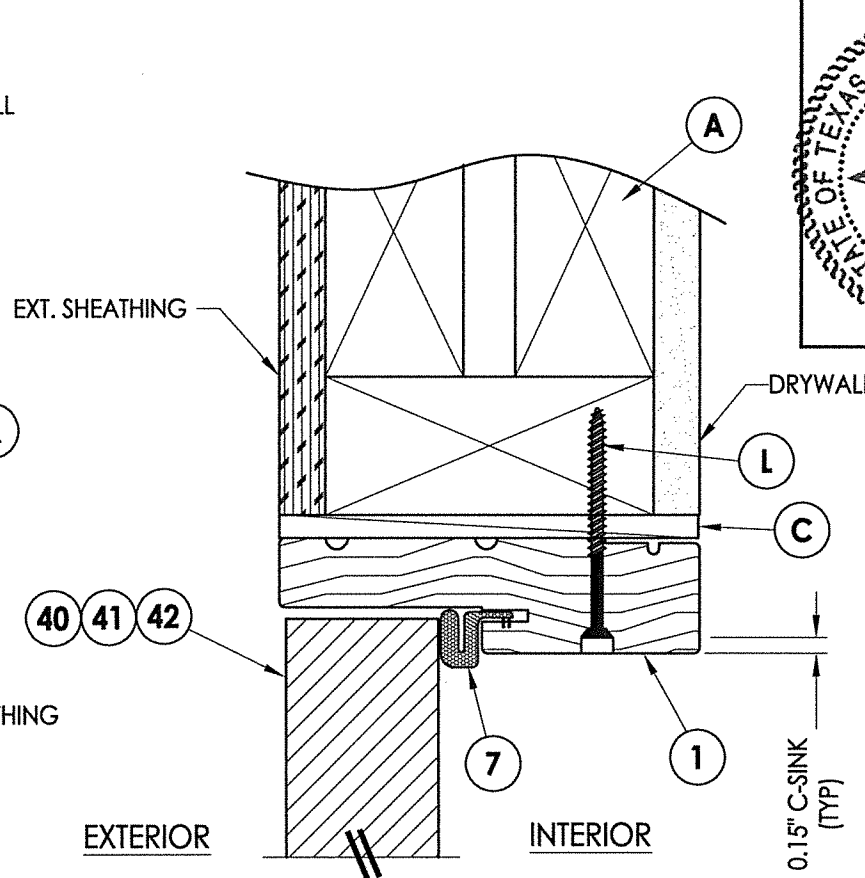
Z:\Clients\Therma Tru PERMANENT\B - Texas Dept of Ins\TDI - DR 950 - 6'8 & 8'0 Opaque Comp Edge Coastal Impact (TX 4735 - 4740)\C - Drawings\TX-4735-37.dwg



1 HORIZONTAL CROSS SECTION
5 Shown w/ 2X Buck
 Outswing shown (Inswing similar)

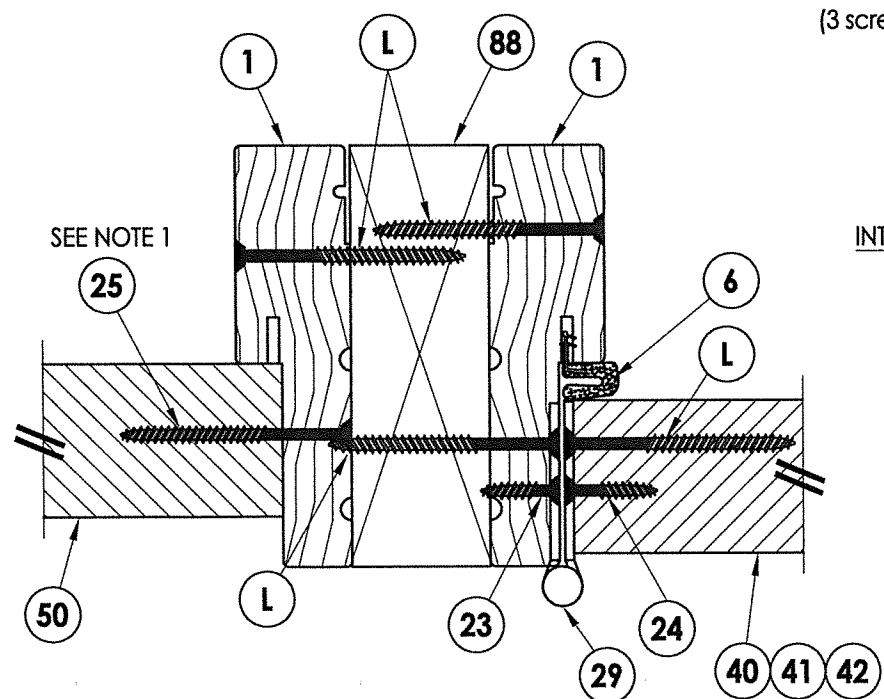


2 HORIZONTAL CROSS SECTION
5 Shown w/ 2X Buck
 Outswing shown (Inswing similar)

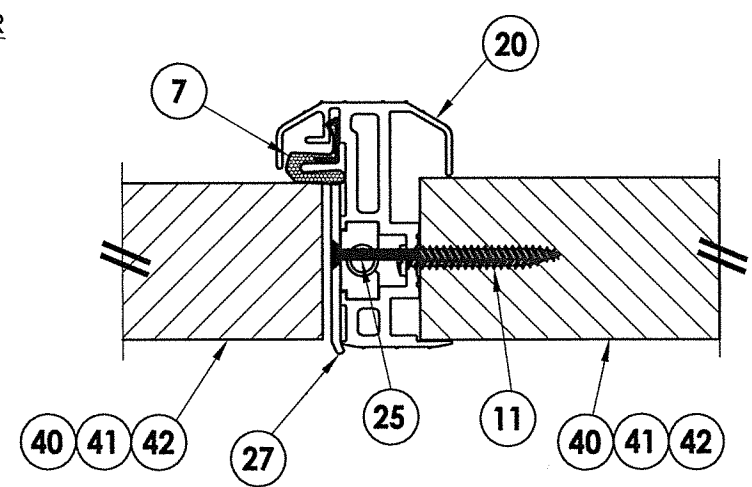


3 VERTICAL CROSS SECTION
5 Shown w/ 2X Buck
 Outswing shown (Inswing similar)

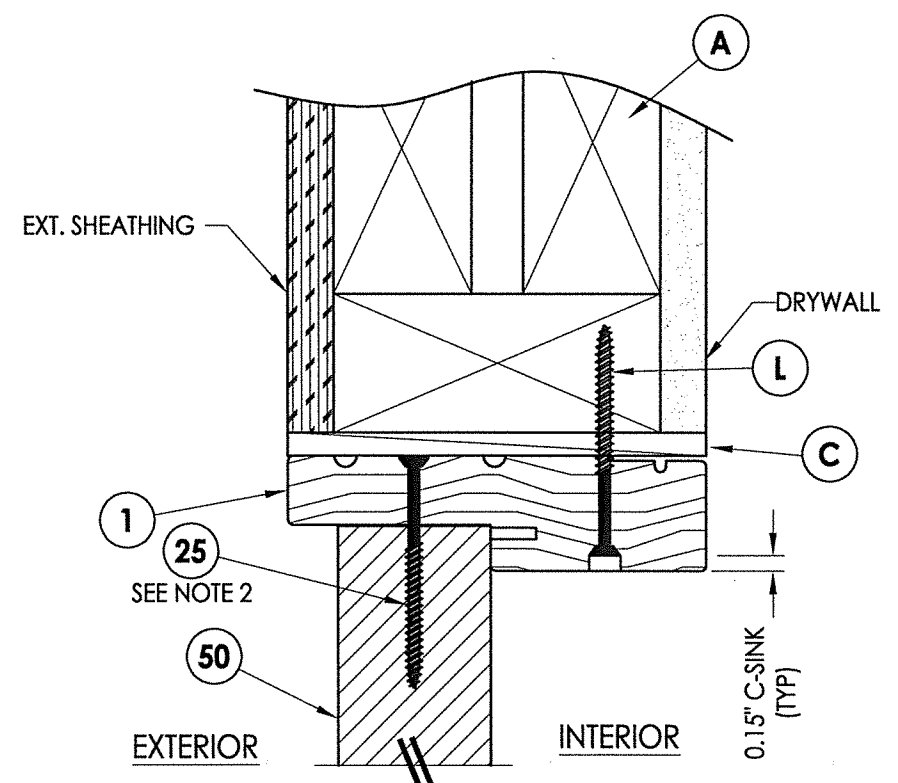
Notes:
 1. Sidelite assembly screws located 6" from each end and 5 more screws equally spaced between (7 screws total per side jamb).
 2. Sidelite assembly screws located 3" from each end & at centerline (3 screws along head jamb).



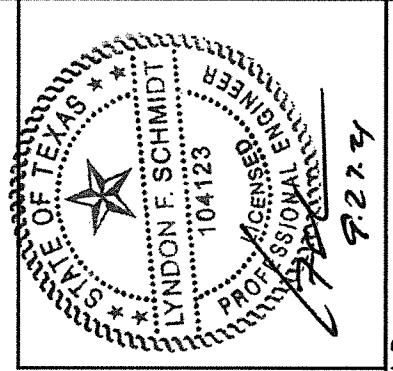
5 HORIZONTAL CROSS SECTION
5 Outswing shown (Inswing similar)



6 HORIZONTAL CROSS SECTION
5 Outswing shown (Inswing similar)



4 VERTICAL CROSS SECTION
5 Shown w/ 2X Buck
 Outswing shown (Inswing similar)



Documents Prepared By: Lyndon F. Schmidt, P.E.
 TEXAS P.E. #104123

RW BUILDING CONSULTANTS, INC.
 P.O. Box 230 Valrico FL 33595
 Phone No.: 813.659.9197

CERTIFICATE OF REGISTRATION # F-11852

PRODUCT:	Therma-TRU FIBERGLASS DOOR
PART OR ASSEMBLY:	HORIZONTAL & VERTICAL CROSS SECTIONS

NO.	DATE	BY
1	9/27/21	LFS
UPDATE TO 2018 IBC/IRC CODE		

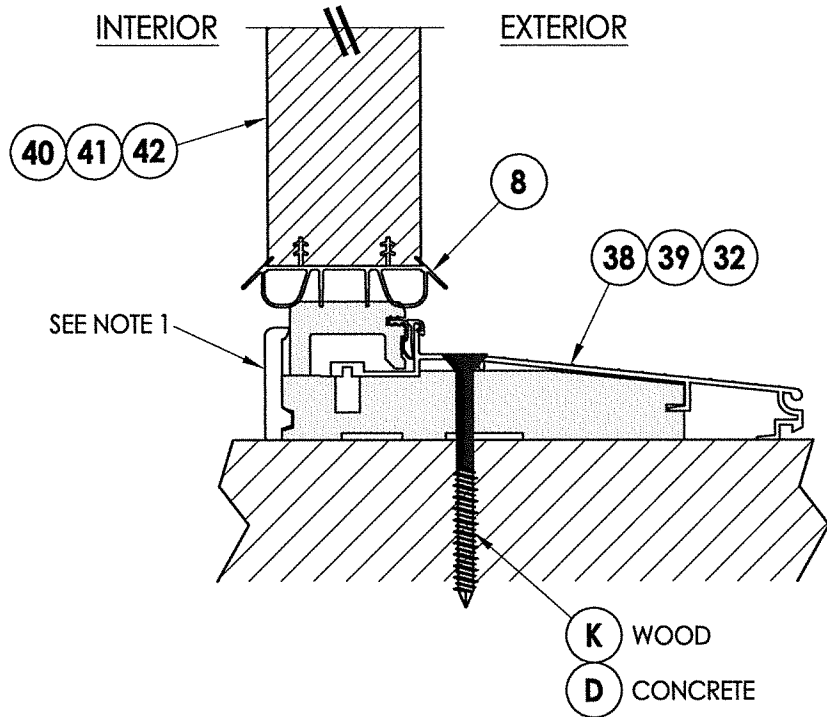
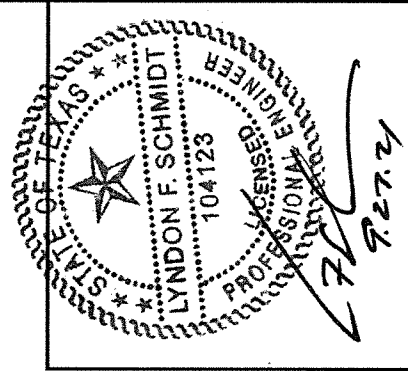
DATE:	10/24/17
SCALE:	N.T.S.
DWG. BY:	JK
CHK. BY:	LFS
DRAWING NO.:	TX-4737
SHEET	5 OF 11

© 2017 R.W. BUILDING CONSULTANTS INC.

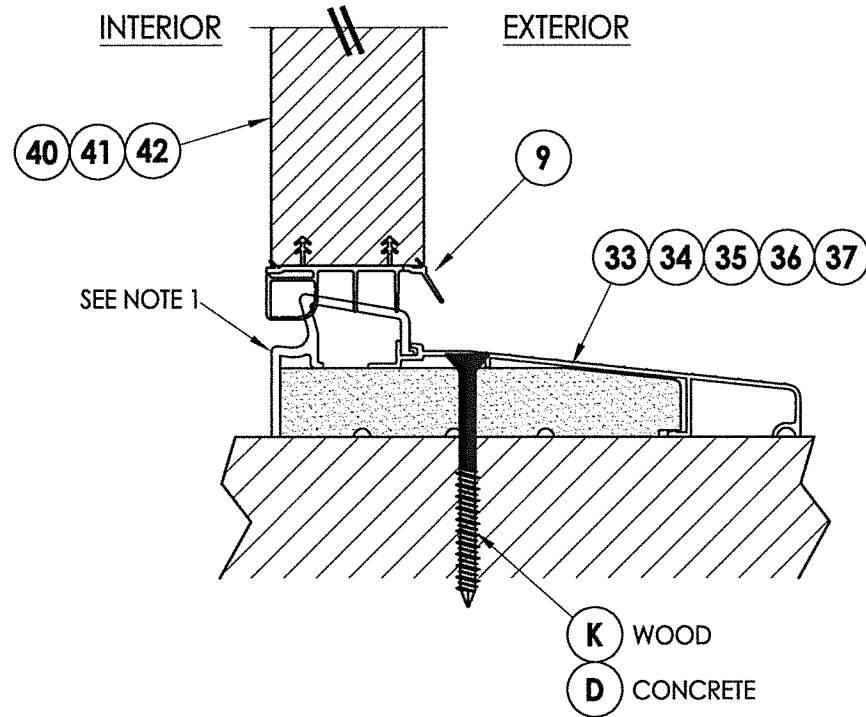
Z:\Clients\Therma Tru PERMANENT\B - Texas Dept of Ins\TDI - DR 950 - 6'8 & 8'0 Opaque Comp Edge Coastal Impact (TX 4735 - 4740)\C - Drawings\TX-4735-37.dwg

Notes:

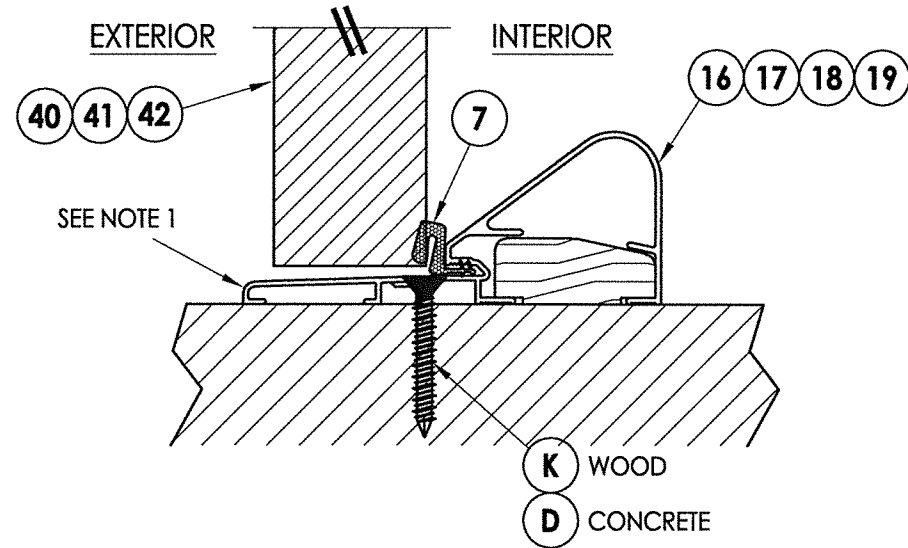
- Sill Item #'s 16, 32, 33, 34, 35, 36, 37, 38 & 39 are attached to jambs w/ (3) #8 X 2-1/2" pfh screws at each end.
Sill Item #'s 17, 18 & 19 are attached to jambs w/ (2) #8 X 2-1/2" pfh screws at each end.
Sill Item #15 is attached to jambs utilizing (2) #10 X 1-1/2" pph screws at each end.
- Sidelite assembly screws located 3" from each end & at centerline (3 screws along sill).



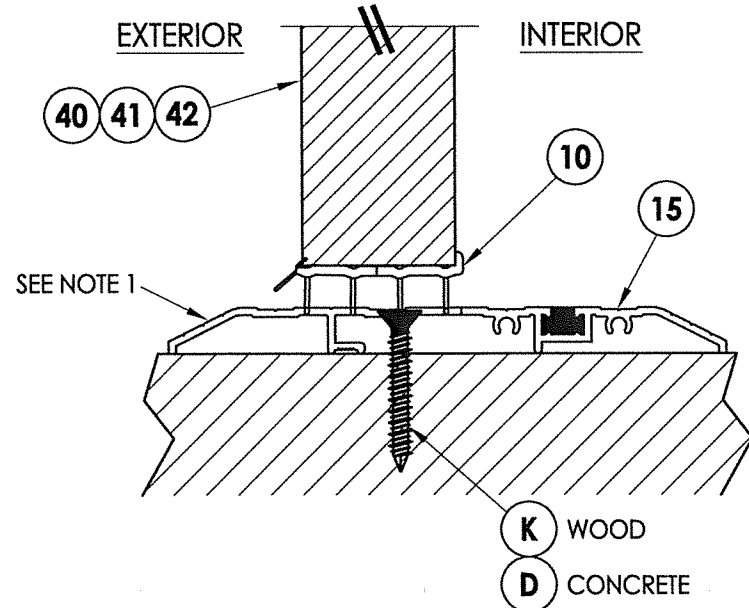
1 VERTICAL CROSS SECTION
6 Inswing Sill



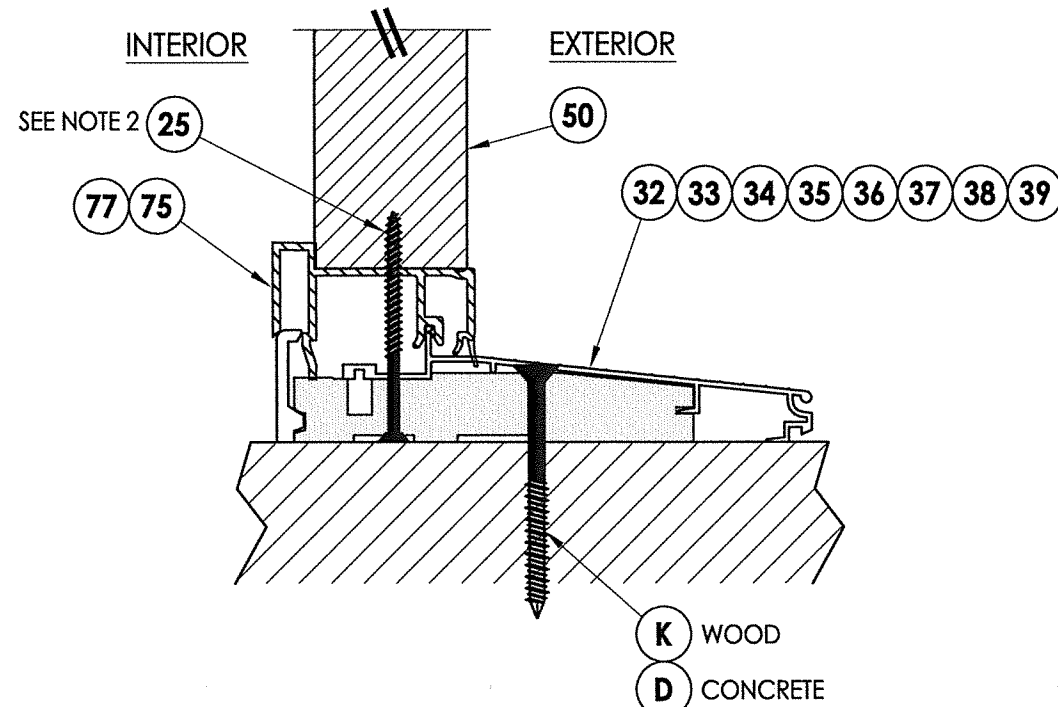
2 VERTICAL CROSS SECTION
6 Inswing Sill



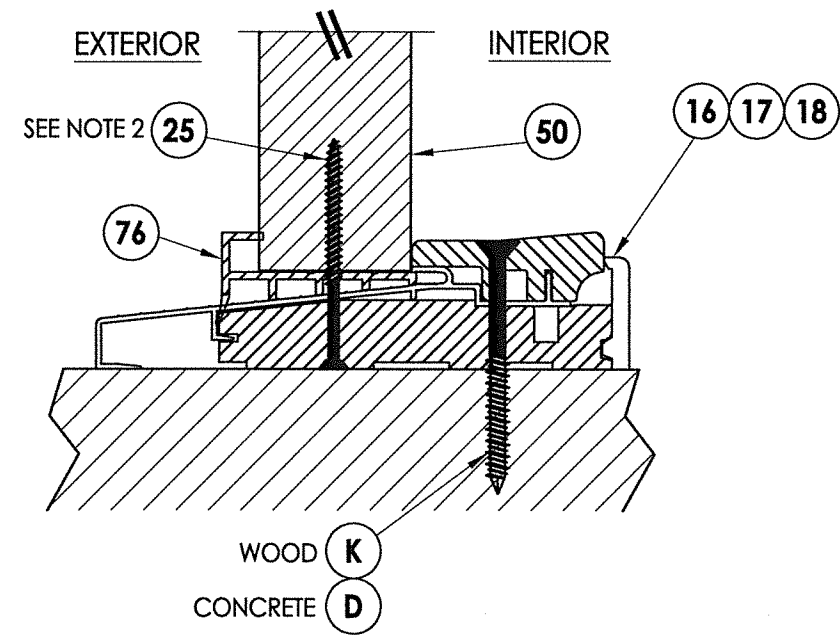
3 VERTICAL CROSS SECTION
6 Outswing Sill



4 VERTICAL CROSS SECTION
6 Public Access Sill



5 VERTICAL CROSS SECTION
6 Inswing Sill



6 VERTICAL CROSS SECTION
6 Outswing Sill

Documents Prepared By: Lyndon F. Schmidt, P.E.
TEXAS P.E. #104123

RW BUILDING CONSULTANTS, INC.
P.O. Box 230 Vairico FL 33595
Phone No.: 813.659.9197

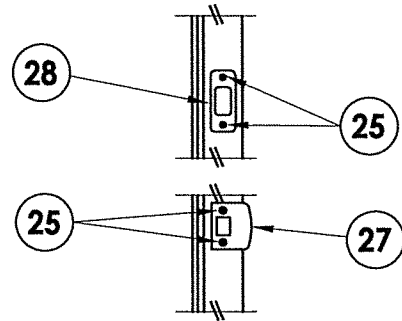
CERTIFICATE OF REGISTRATION # F-11852

PRODUCT:	THERMA-TRU FIBERGLASS DOOR
PART OR ASSEMBLY:	VERTICAL CROSS SECTIONS (THRESHOLDS)

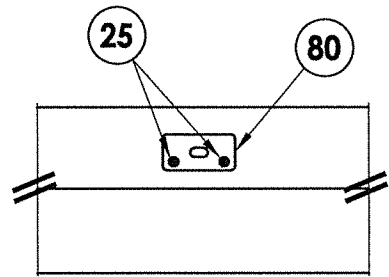
NO.	DATE	DESCRIPTION	LFS	BY
1	9/27/21	UPDATE TO 2018 IBC/IRC CODE		

DATE:	10/24/17
SCALE:	N.T.S.
DWG. BY:	JK
CHK. BY:	LFS
DRAWING NO.:	TX-4737
SHEET	6 OF 11

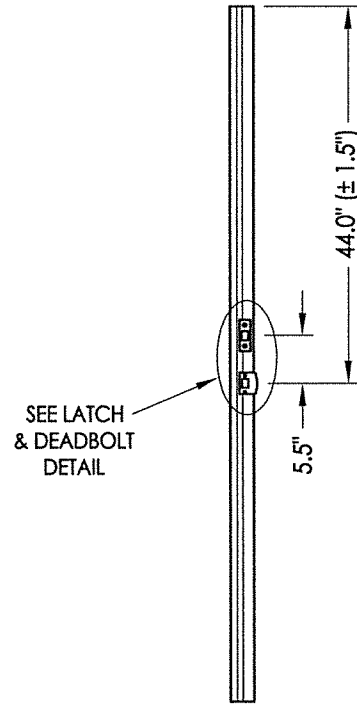
© 2017 R.W. BUILDING CONSULTANTS INC.



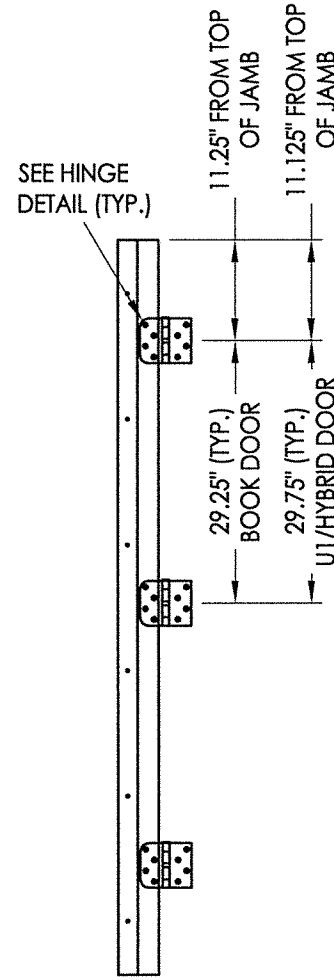
LATCH & DEADBOLT DETAIL
Schlage / Kwikset



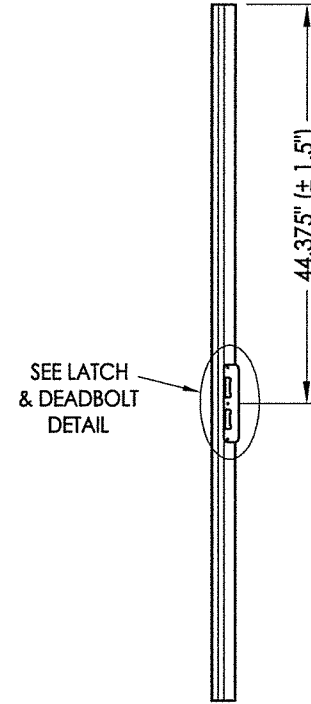
DETAIL 1
Coastal Astragal Strike Plate @ Head



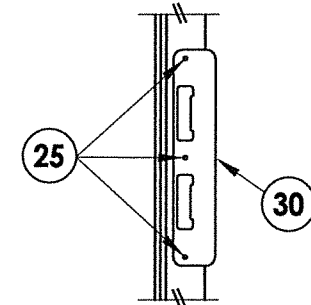
ASTRAGAL
Latch and Deadbolt



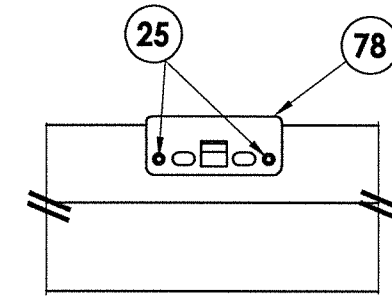
HINGE JAMB



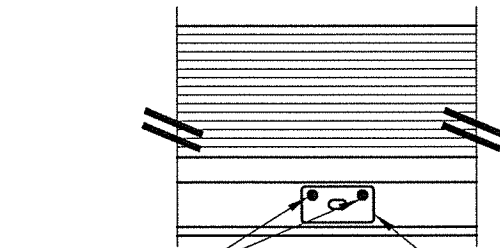
ASTRAGAL
Multipoint Lock



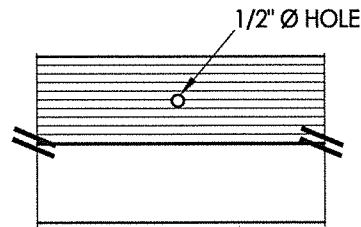
LATCH & DEADBOLT DETAIL
Multipoint Lock



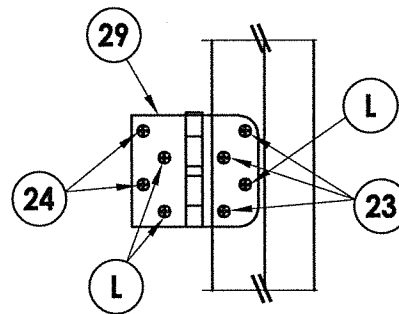
DETAIL 1
Multipoint Lock Strike Plate @ Head



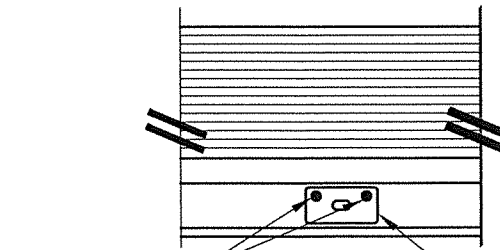
DETAIL 2
Inswing
Coastal Astragal Strike Plate @ Sill



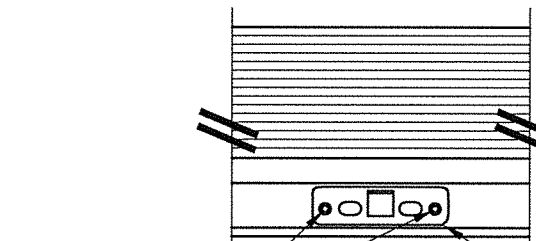
DETAIL 2
Outswing
Astragal Bolt Hole @ Sill



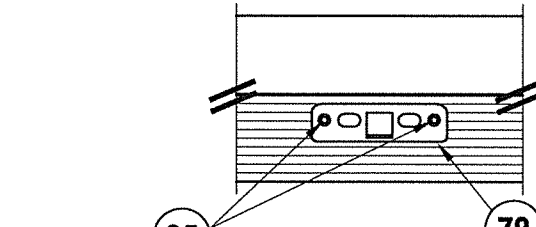
HINGE DETAIL



DETAIL 2
Inswing
Coastal Astragal Strike Plate @ Sill

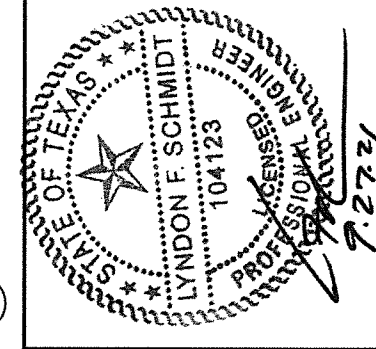


DETAIL 2
Inswing
Multipoint Lock Strike Plate @ Sill



DETAIL 2
Outswing
Multipoint Lock Strike Plate @ Sill

MULTIPOINT LOCK STRIKE DETAILS



Documents Prepared By: Lyndon F. Schmidt, P.E.
TEXAS P.E. #104123

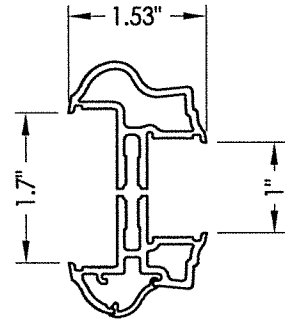
RW BUILDING CONSULTANTS, INC.
P.O. Box 230 Valrico FL 33595
Phone No.: 813.659.9197

CERTIFICATE OF REGISTRATION # F-11852

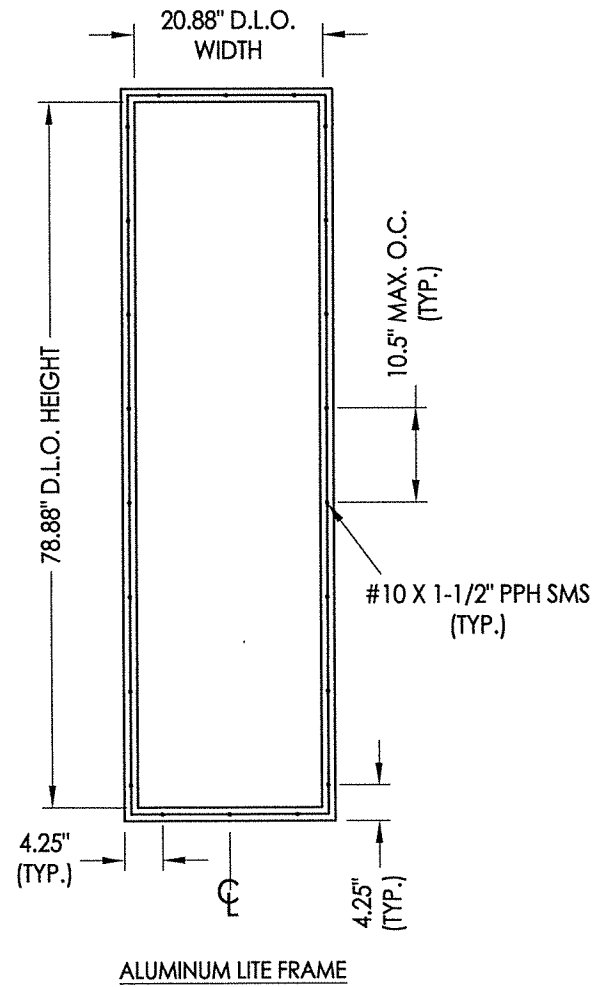
PRODUCT:	THERMA-TRU FIBERGLASS DOOR
PART OR ASSEMBLY:	HARDWARE DETAILS

NO.	DATE	DESCRIPTION	BY
1	9/27/21	UPDATE TO 2018 IBC/IRC CODE	LFS

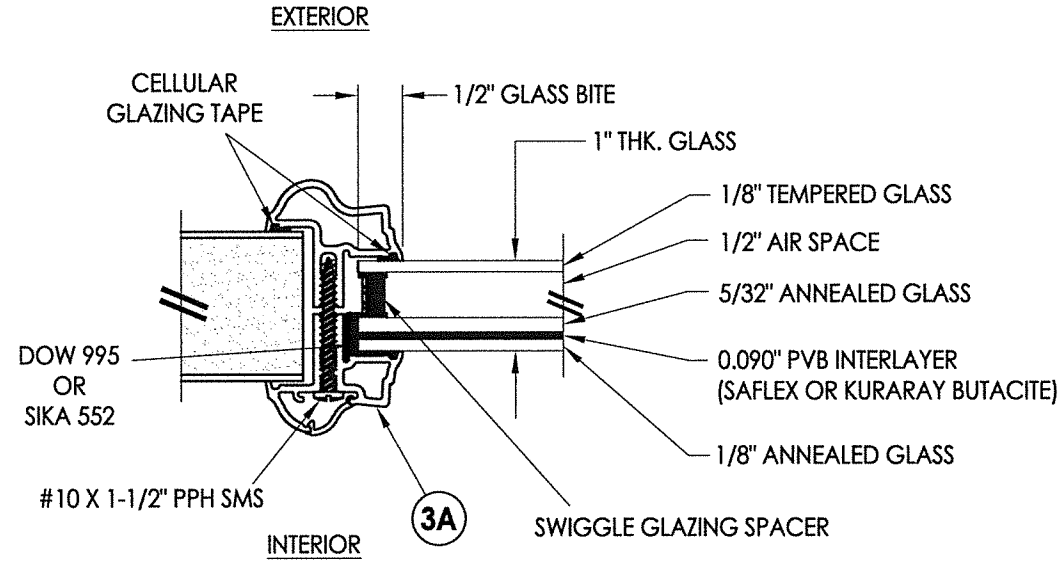
DATE:	10/24/17
SCALE:	N.T.S.
DWG. BY:	JK
CHK. BY:	LFS
DRAWING NO.:	TX-4737
SHEET	8 OF 11



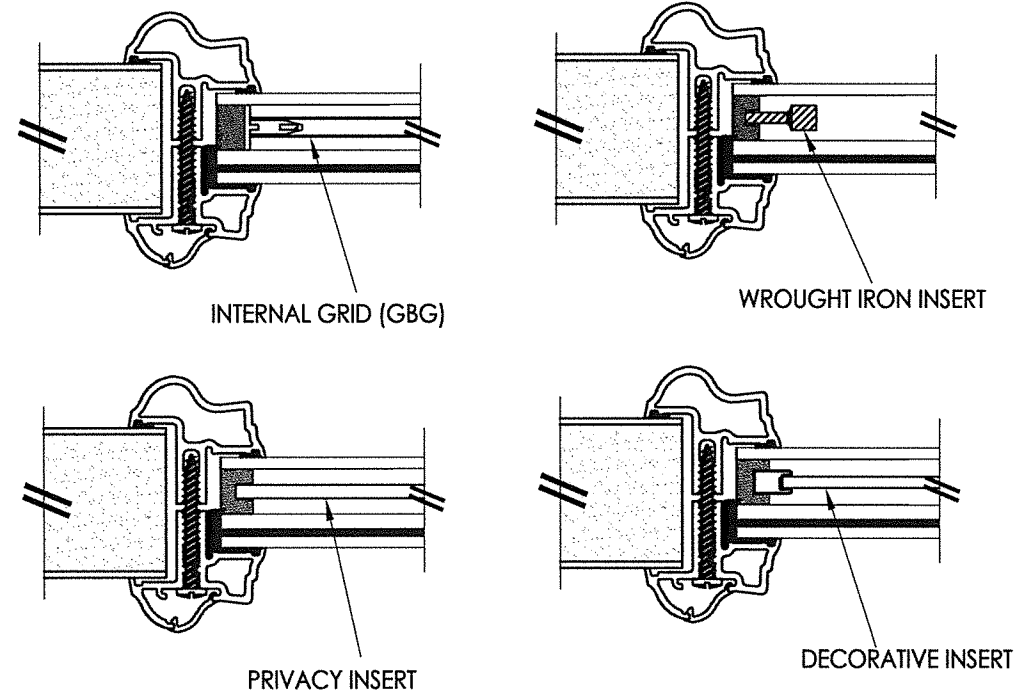
3A ALUMINUM FRAME
Aluminum Impact Lite Frame
Door Panels & Sidelites



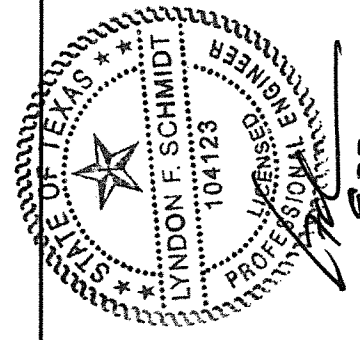
ALUMINUM LITE FRAME



G1 GLAZING DETAIL
Aluminum Impact Lite Frame
Door Panels & Sidelites



1" LAMINATED INSULATED IMPACT GLASS INSERT OPTIONS



Documents Prepared By: Lyndon F. Schmidt, P.E.
TEXAS P.E. #104123

RW BUILDING CONSULTANTS, INC.
P.O. Box 230 Valrico FL, 33595
Phone No.: 813.659.9197

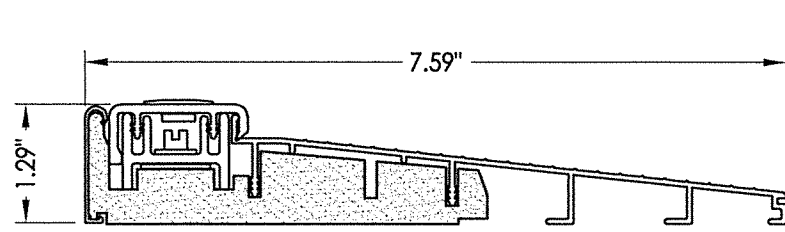
CERTIFICATE OF REGISTRATION # F-11852

PRODUCT:	Therma-TRU FIBERGLASS DOOR
PART OR ASSEMBLY:	GLAZING DETAILS

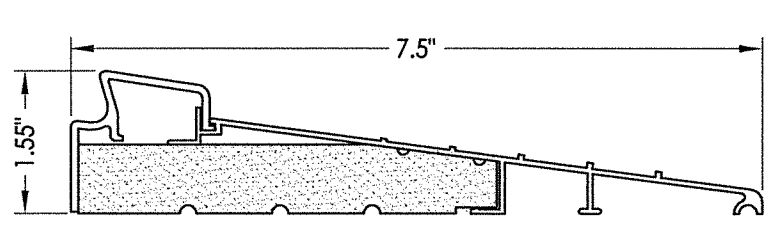
REVISIONS	
NO.	DATE
1	9/27/21
	UPDATE TO 2018 IBC/IRC CODE
	LFS
	BY

DATE:	10/24/17
SCALE:	N.T.S.
DWG. BY:	JK
CHK. BY:	LFS
DRAWING NO.:	TX-4737
SHEET	9 OF 11

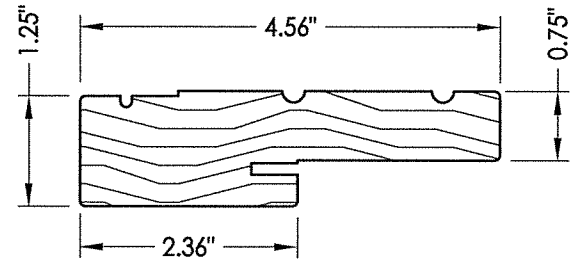
Z:\Clients\Therma Tru PERMANENTB - Texas Dept of Ins\TDI - DR 950 - 6'8 & 8'0 Opaque Comp Edge Coastal Impact (TX 4735 - 4740)\C - Drawings\TX-4735-37.dwg



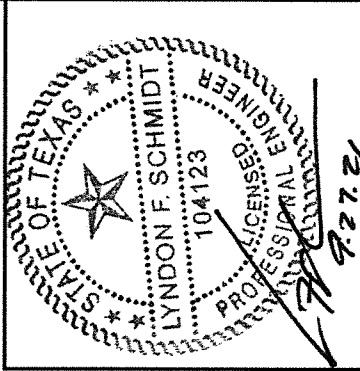
32 INSWING THRESHOLD
Inswing Basic Composite Adjustable Sill 7-1/2"



37 INSWING THRESHOLD
Inswing Basic Fixed 7-1/2" Sill



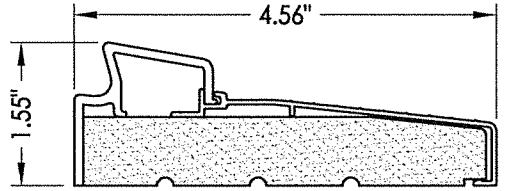
1 WOOD JAMB



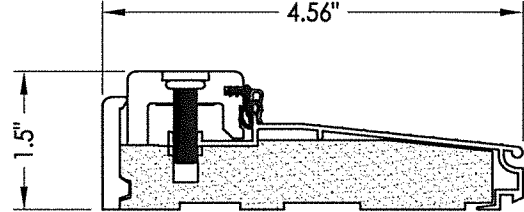
Documents Prepared By: Lyndon F. Schmidt, P.E.
TEXAS P.E. #104123

RW BUILDING CONSULTANTS, INC.
P.O. Box 230 Valrico FL 33595
Phone No.: 813.659.9197

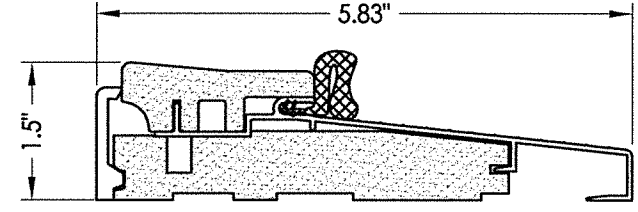
CERTIFICATE OF REGISTRATION # F-11852



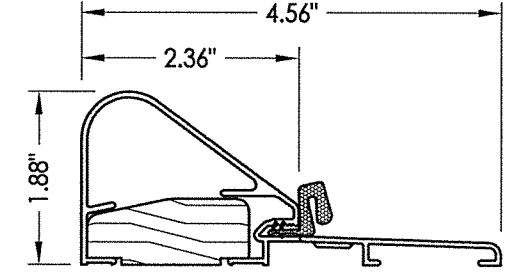
33 INSWING THRESHOLD
Inswing Basic Fixed Sill



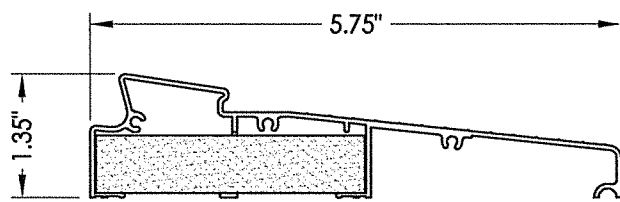
38 INSWING THRESHOLD
Inswing Composite Adjustable Sill



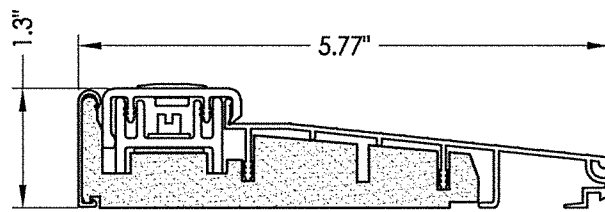
16 OUTSWING THRESHOLD
Composite Sill



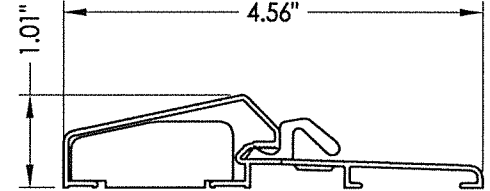
19 COASTAL OUTSWING THRESHOLD
Wood / Aluminum Sill



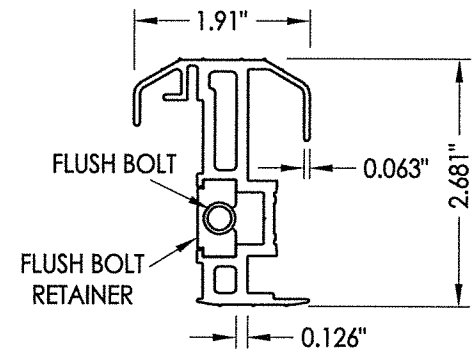
34 INSWING THRESHOLD
Inswing Moderate Climate Sill 1-3/8"



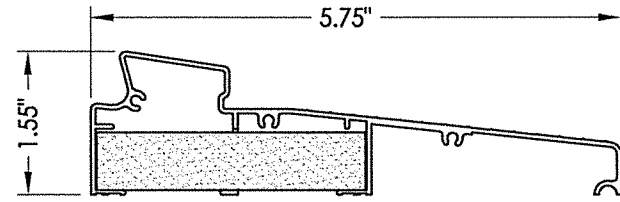
39 INSWING THRESHOLD
Inswing Basic Composite Adjustable Sill



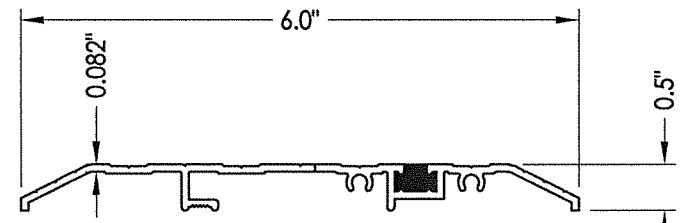
17 OUTSWING THRESHOLD
Composite / Aluminum Sill



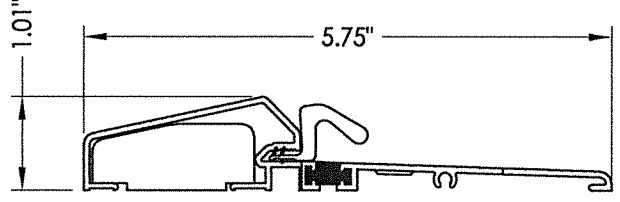
20 COASTAL ALUMINUM ASTRAGAL



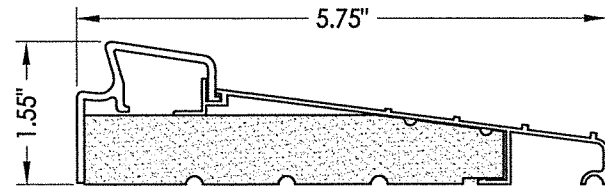
35 INSWING THRESHOLD
Inswing Moderate Climate Sill



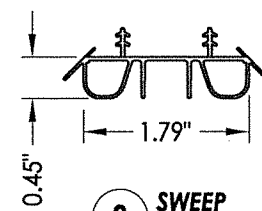
15 PUBLIC ACCESS THRESHOLD



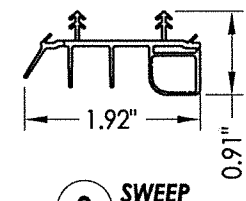
18 OUTSWING THRESHOLD
Composite / Aluminum Sill (Thermal Break)



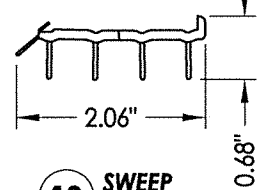
36 INSWING THRESHOLD
Inswing Basic Fixed 5-3/4" Sill



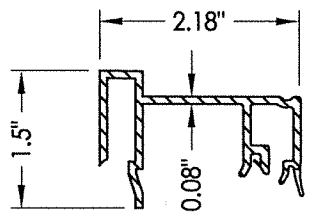
8 SWEEP



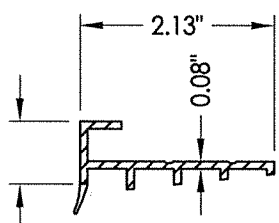
9 SWEEP



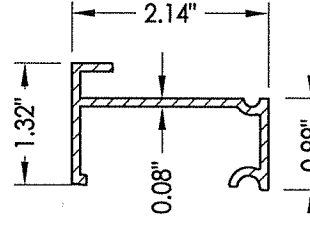
10 SWEEP



75 SIDELITE SPACER
Inswing



76 SIDELITE SPACER
Outswing



77 SIDELITE SPACER
Inswing Moderate Climate Threshold

PRODUCT: THERMA-TRU FIBERGLASS DOOR

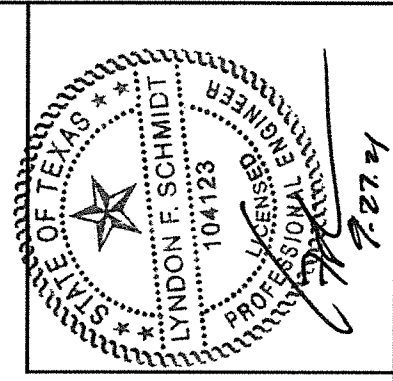
PART OR ASSEMBLY: COMPONENTS

NO.	DATE	REVISIONS	LFS	BY
1	9/27/21	UPDATE TO 2018 IBC/IRC CODE	LFS	

DATE: 10/24/17
SCALE: N.T.S.
DWG. BY: JK
CHK. BY: LFS
DRAWING NO.: TX-4737
SHEET 10 OF 11

BILL OF MATERIALS

ITEM #	DESCRIPTION	MATERIAL
A	2X FRAMING (SG >= 0.42)	WOOD
C	1/4" MAX. SHIM SPACE	-
D	1/4" PFH DeWALT OR ITW CONCRETE SCREW (1-3/4" MIN. EMBEDMENT)	STEEL
G	3/16" PFH DeWALT OR ITW CONCRETE SCREW (1-3/4" MIN. EMBEDMENT)	STEEL
K	#12 PFH WOOD SCREW (1-1/2" MIN. EMBEDMENT)	STEEL
L	#10 X 2-1/2" PFH WOOD SCREW (1.15" MIN. EMBEDMENT)	STEEL
1	JAMB (FINGER JOINT PINE)	WOOD
6	WEATHERSTRIP (MEDIUM REACH)	FOAM
7	WEATHERSTRIP (LONG REACH)	FOAM
8	SWEEP	VINYL
9	SWEEP (USE w/ MODERATE CLIMATE THRESHOLD)	VINYL
10	SWEEP (USE w/ PUBLIC ACCESS THRESHOLD)	VINYL
11	#10 X 1-1/2" PPH SMS	STEEL
15	PUBLIC ACCESS THRESHOLD	ALUM
16	OUTSWING THRESHOLD	ALUM/COMP
17	OUTSWING THRESHOLD	ALUM/COMP
18	OUTSWING THRESHOLD	ALUM/COMP
19	COASTAL OUTSWING THRESHOLD	ALUM/WOOD
20	COASTAL ALUMINUM ASTRAGAL	ALUM
23	#10 x 3/4" PFH WOOD SCREW	STEEL
24	#10 x 1" PFH WOOD SCREW	STEEL
25	#8 x 2-1/2" PFH WOOD SCREW	STEEL
26	#8 x 5/8" PFH WOOD SCREW	STEEL
27	LATCH STRIKE PLATE	STEEL
28	DEADBOLT SUB STRIKE PLATE	STEEL
29	4" X 4" HINGE	STEEL
30	LATCH & DEADBOLT STRIKE PLATE (TONGUE SYSTEM)	ALUM/COMP
31	MULTIPOINT STRIKE PLATE (TONGUE SYSTEM)	ALUM/COMP
32	INSWING THRESHOLD	ALUM/COMP
33	INSWING THRESHOLD	ALUM/COMP
34	INSWING THRESHOLD	ALUM/COMP
35	INSWING THRESHOLD	ALUM/COMP
36	INSWING THRESHOLD	ALUM/COMP
37	INSWING THRESHOLD	ALUM/COMP
38	INSWING THRESHOLD	ALUM/COMP
39	INSWING THRESHOLD	ALUM/COMP
40	DOOR PANEL (BOOK)	-
41	DOOR PANEL (HYBRID)	-
42	DOOR PANEL (U1)	-
50	SIDELITE	-
75	SIDELITE SPACER (INSWING)	PVC
76	SIDELITE SPACER (OUTSWING)	PVC
77	SIDELITE SPACER (INSWING) - MODERATE CLIMATE SILL	PVC
78	MULTIPOINT LOCK STRIKE PLATE @ HEAD	STEEL
79	MULTIPOINT LOCK STRIKE PLATE @ SILL	STEEL
80	ASTRAGAL STRIKE PLATE	STEEL
88	2X MULLION (SG >= 0.55)	WOOD



Documents Prepared By: Lyndon F. Schmidt, P.E.
TEXAS P.E. #104123

RW BUILDING CONSULTANTS, INC.
P.O. Box 230 Valrico FL, 33595
Phone No.: 813.659.9197

CERTIFICATE OF REGISTRATION # F-11852

PRODUCT: THERMA-TRU FIBERGLASS DOOR

PART OR ASSEMBLY: BILL OF MATERIALS

NO.	DATE	DESCRIPTION	BY
1	9/27/21	UPDATE TO 2018 IBC/IRC CODE	LFS

DATE: 10/24/17
SCALE: N.T.S.
DWG. BY: JK
CHK. BY: LFS
DRAWING NO.: TX-4737
SHEET 11 OF 11

CONCRETE ANCHOR NOTES:

- Concrete anchor locations at the corners may be adjusted to maintain the min. edge distance to mortar joints.
- Concrete anchor locations noted as "MAX. ON CENTER" must be adjusted to maintain the min. edge distance to mortar joints, additional concrete anchors may be required to ensure the "MAX. ON CENTER" dimension are not exceeded.
- Concrete anchor table:

ANCHOR TYPE	ANCHOR SIZE	MIN. EMBEDMENT	MIN. CLEARANCE TO MASONRY EDGE	MIN. CLEARANCE TO ADJACENT ANCHOR
ITW TAPCON®	1/4"	1-3/4"	2"	4"
DeWALT ULTRACON®	1/4"	1-3/4"	1"	4"
ITW TAPCON®	3/16"	1-3/4"	3"	1-1/2"

WOOD SCREW INSTALLATION NOTES:

- Maintain a minimum 5/8" edge distance, 1" end distance, & 1" o.c. spacing of wood screws to prevent the splitting of wood.