

# THERMA-TRU<sup>®</sup> DOORS

Fiber-Classic<sup>®</sup> & Smooth-Star<sup>®</sup>

## COMPOSITE EDGE GLAZED FIBERGLASS SINGLE DOOR INSWING/OUTSWING "NON-IMPACT"

EVALUATED FOR USE IN THE STATE OF TEXAS

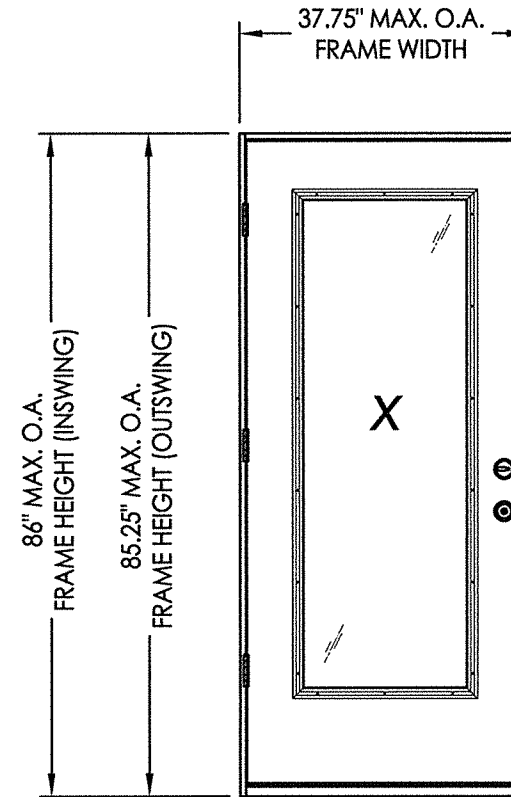
**TDI DR-946**

The Fiberglass Door system described herein complies with the 2018 International Residential Code (IRC), Sections R301 & R609 and the 2018 International Building Code (IBC), Sections 1404.13, 1609, 1709.5, 2403 and 2404 subject to the following conditions:

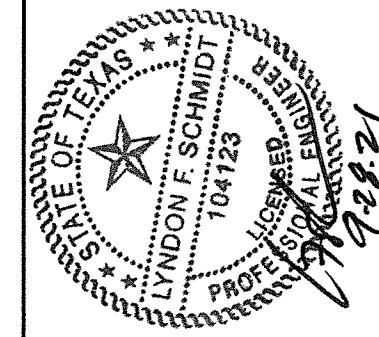
1. Anchors shall be as listed and spaced as shown in the details. Anchor embedment to base material shall be beyond wall dressing or stucco.
2. When used in areas requiring wind-borne debris protection this product is required to be protected with an impact resistant covering that complies with Section R301.2.1.2 of the IRC and Section 1609.1.2 of the IBC.
3. Allowable design pressure requirements must be equal to or less than the design pressure rating shown in the design pressure chart, sheet 1 of this drawing.
4. Conditions not covered by this drawing are subject to further engineering analysis.
5. Fiber-Classic and Smooth-Star Door and Sidelite panels require the use of "J" part numbers. These door and sidelite panels must be stained or painted within six months of installation.

### TABLE OF CONTENTS

SHEET #	DESCRIPTION
1	Typical Elevations, Design Pressures & General Notes
2	Door Panel Details
3	Elevations
4	Horizontal & Vertical Cross Sections
5	Vertical Cross Sections (Thresholds)
6	Frame Anchoring & Hardware Details
7	Glazing Details
8	Components
9	Bill of Materials



CONFIGURATION	DESIGN PRESSURE (PSF) INSWING		DESIGN PRESSURE (PSF) OUTSWING	
	POSITIVE	NEGATIVE	POSITIVE	NEGATIVE
X	+40.0	-50.0	+40.0	-40.0



Documents Prepared By: Lyndon F. Schmidt, P.E.  
TEXAS P.E. #104123

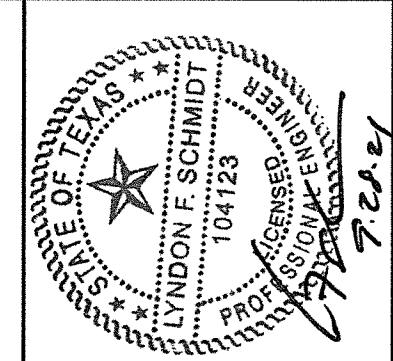
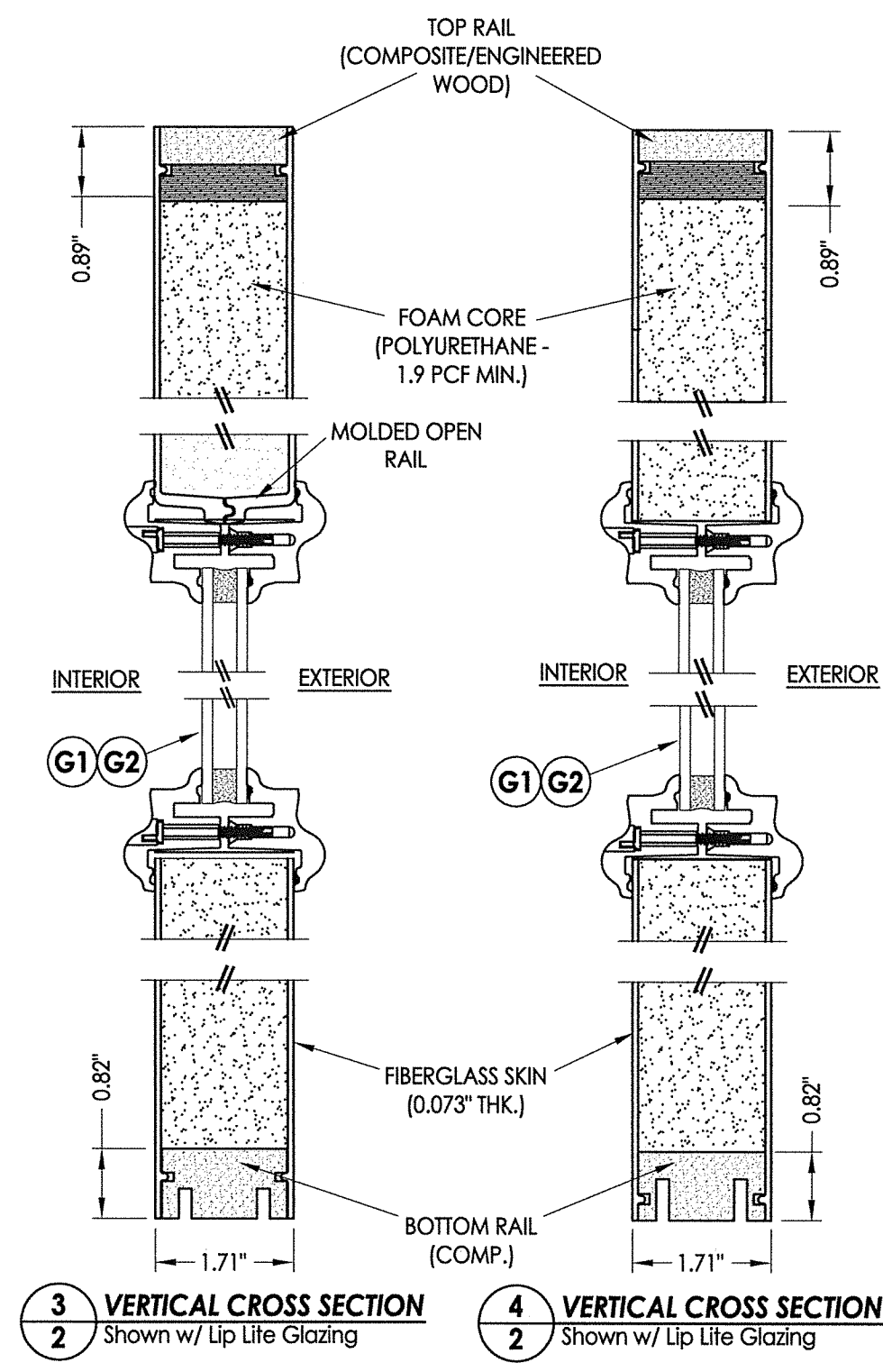
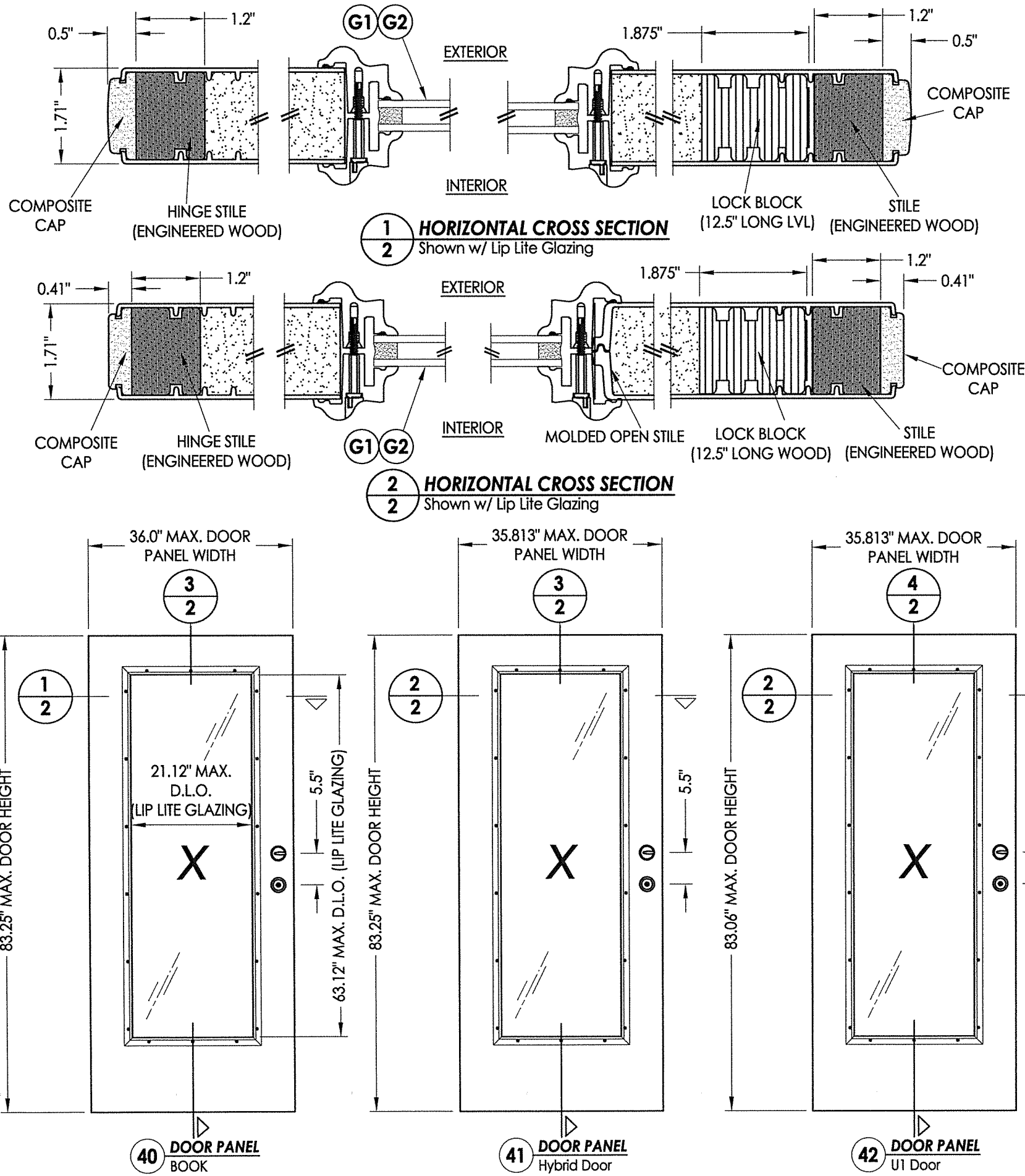
R.W. BUILDING CONSULTANTS, INC.  
P.O. Box 230 Valrico FL 33595  
Phone No.: 813.659.9197

CERTIFICATE OF REGISTRATION # F-11852

PRODUCT: THERMA-TRU  
FIBERGLASS DOOR  
PART OR ASSEMBLY:  
TYPICAL ELEVATION, DESIGN  
PRESSURES & GENERAL NOTES

NO.	DATE	BY	REVISIONS
1	9/27/21	LFS	UPDATE TO 2018 IBC/IRC CODE

DATE: 11/27/17  
SCALE: N.T.S.  
DWG. BY: JK  
CHK. BY: LFS  
DRAWING NO.: TX-4764  
SHEET 1 OF 9

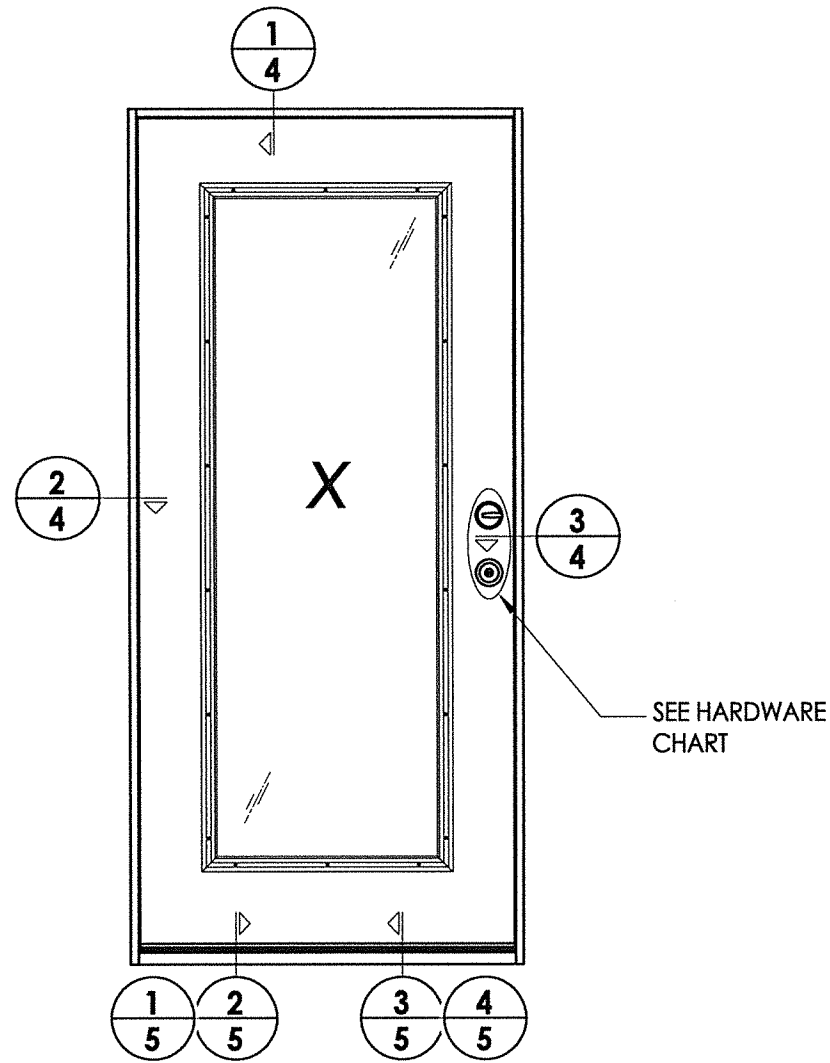


Documents Prepared By: Lyndon F. Schmidt, P.E.  
 TEXAS P.E. #104123

*RW* BUILDING CONSULTANTS, INC.  
 P.O. Box 230 Valrico FL, 33595  
 Phone No.: 813.659.9197

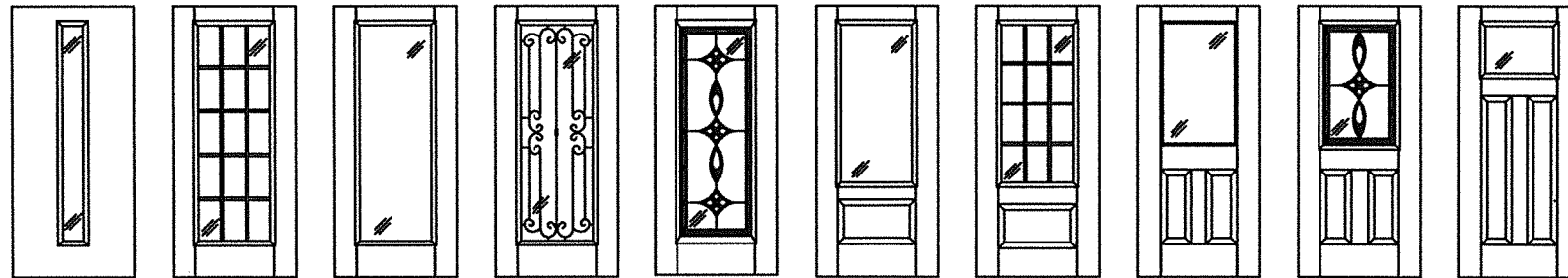
CERTIFICATE OF REGISTRATION # F-11852

PRODUCT: THERMA-TRU FIBERGLASS DOOR	
PART OR ASSEMBLY: DOOR PANEL DETAILS	
NO.	DATE
1	9/27/21
UPDATE TO 2018 IBC/IRC CODE	
LFS	BY
REVISIONS	
DATE: 11/27/17	
SCALE: N.T.S.	
DWG. BY: JK	
CHK. BY: LFS	
DRAWING NO.: TX-4764	
SHEET 2 OF 9	

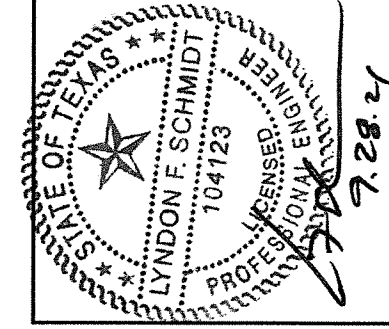


SEE HARDWARE CHART

HARDWARE TABLE	
MANUFACTURER	MODEL
SCHLAGE	KNOB: F51
	DEADBOLT: B60
KWIKSET	KNOB: SIGNATURE SERIES
	DEADBOLT: SIGNATURE SERIES (980)



**Fiber-Classic/Smooth-Star Door Panel Options**  
 Panel options shown are for illustration and are representative only  
 (similar glazed panel configurations are allowed)



Documents Prepared By: Lyndon F. Schmidt, P.E.  
 TEXAS P.E. #104123

**RW** BUILDING CONSULTANTS, INC.  
 P.O. Box 230 Valrico FL, 33595  
 Phone No.: 813.659.9197

CERTIFICATE OF REGISTRATION # F-11852

PRODUCT:	THERMA-TRU FIBERGLASS DOOR
PART OR ASSEMBLY:	ELEVATIONS
NO.	1
DATE	9/27/21
UPDATE TO 2018 IBC/IRC CODE	LFS
BY	BY

DATE: 11/27/17

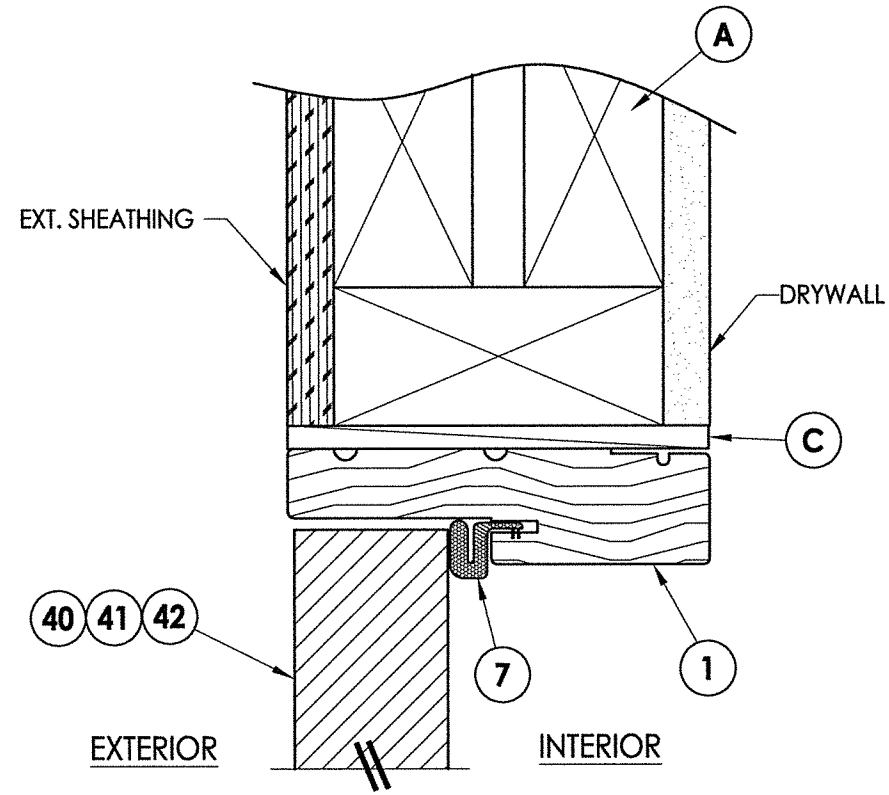
SCALE: N.T.S.

DWG. BY: JK

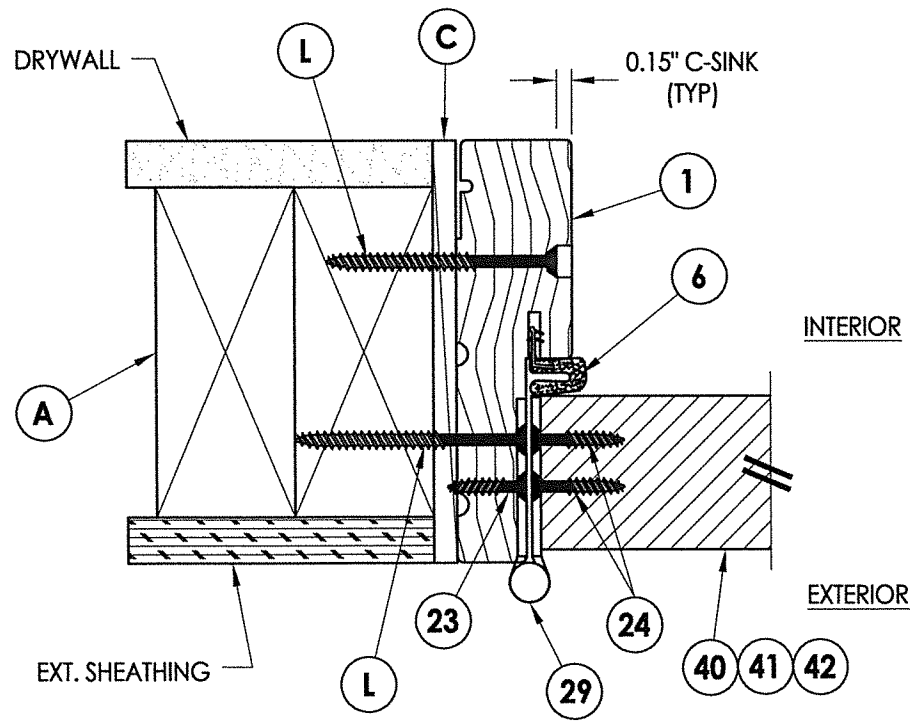
CHK. BY: LFS

DRAWING NO.:  
TX-4764

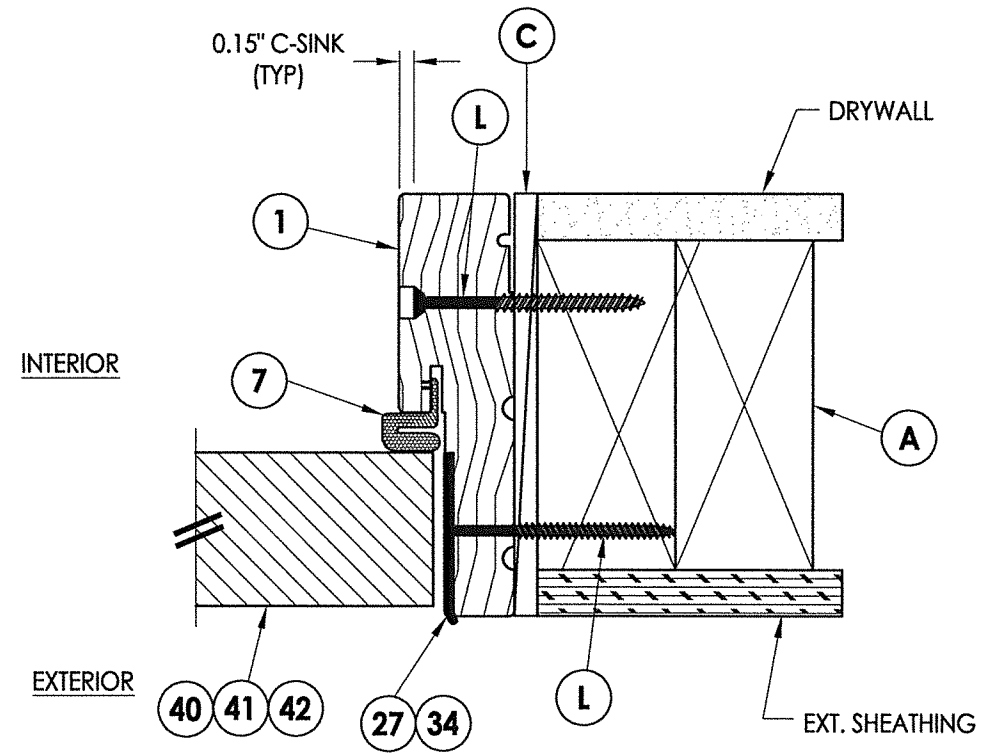
SHEET 3 OF 9



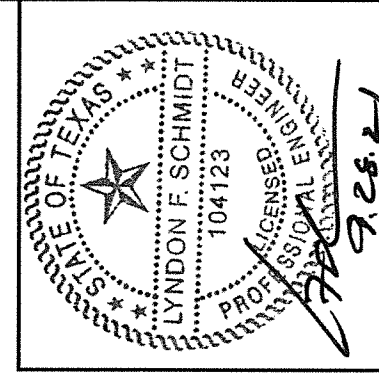
**1** VERTICAL CROSS SECTION  
**4** Outswing shown (Inswing similar)



**2** HORIZONTAL CROSS SECTION  
**4** Outswing shown (Inswing similar)



**3** HORIZONTAL CROSS SECTION  
**4** Outswing shown (Inswing similar)



Documents Prepared By: Lyndon F. Schmidt, P.E.  
 TEXAS P.E. #104123

**RW** BUILDING CONSULTANTS, INC.  
 P.O. Box 230 Valrico FL 33595  
 Phone No.: 813.659.9197

CERTIFICATE OF REGISTRATION # F-11852

PRODUCT:	THERMA-TRU FIBERGLASS DOOR
PART OR ASSEMBLY:	HORIZONTAL & VERTICAL CROSS SECTIONS

NO.	DATE	DESCRIPTION	BY
1	9/27/21	UPDATE TO 2018 IBC/IRC CODE	LFS

DATE: 11/27/17

SCALE: N.T.S.

DWG. BY: JK

CHK. BY: LFS

DRAWING NO.:

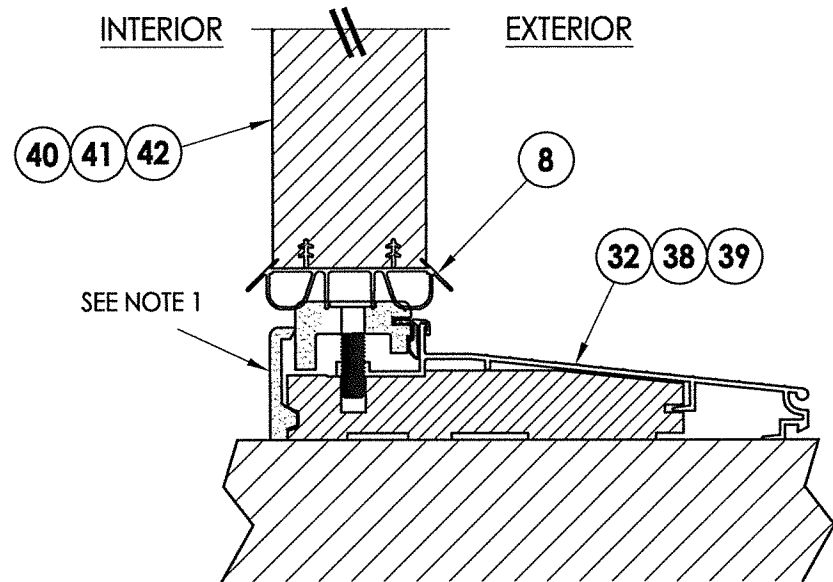
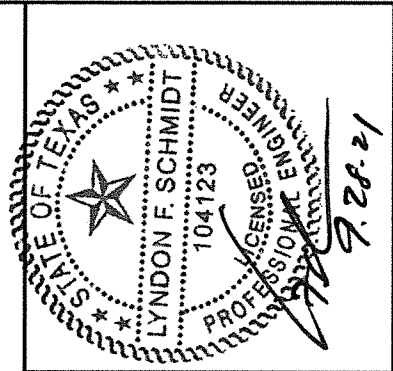
TX-4764

SHEET 4 OF 9

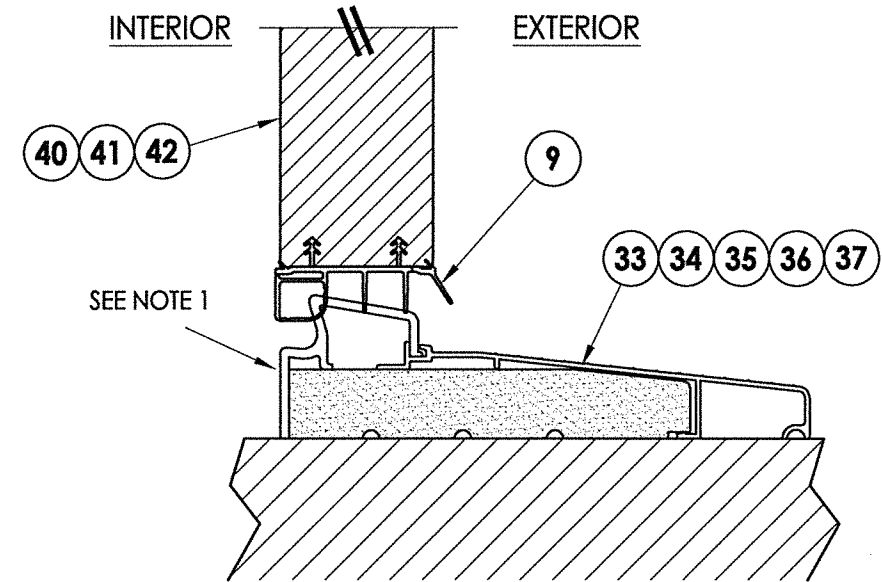
Z:\Clients\Therma Tru PERMANENT\B - Texas Dept of Ins\TDI - DR 946 - 6'8 & 8'0 Glazed Comp Edge Non-Impact (TX 4761 - 4770)\C - Drawings\TX-4764-65.dwg

**Notes:**

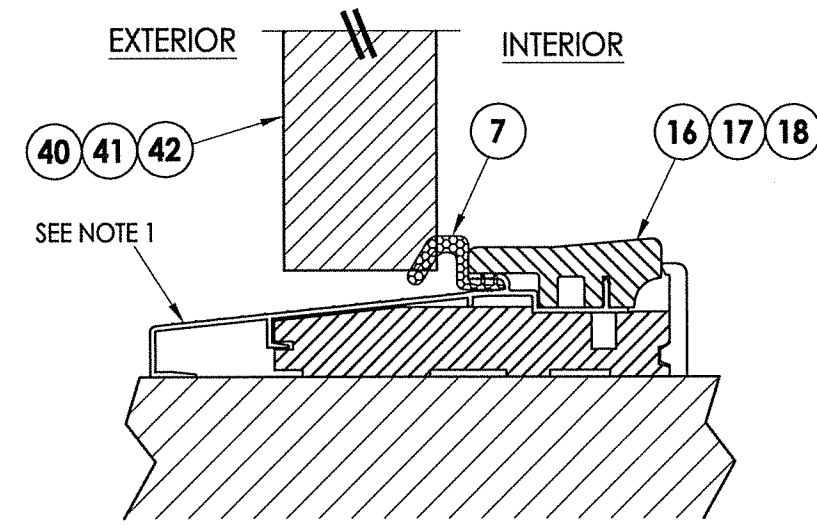
- 1. Sill Item #'s 16, 32, 33, 34, 35, 36, 37, 38 & 39 are attached to jambs w/ (3) #8 X 2-1/2" pfh screws at each end.
- Sill Item #'s 17 & 18 are attached to jambs w/ (2) #8 X 2-1/2" pfh screws at each end.
- Sill Item #15 is attached to jambs utilizing (2) #10 X 1-1/2" pph screws at each end.



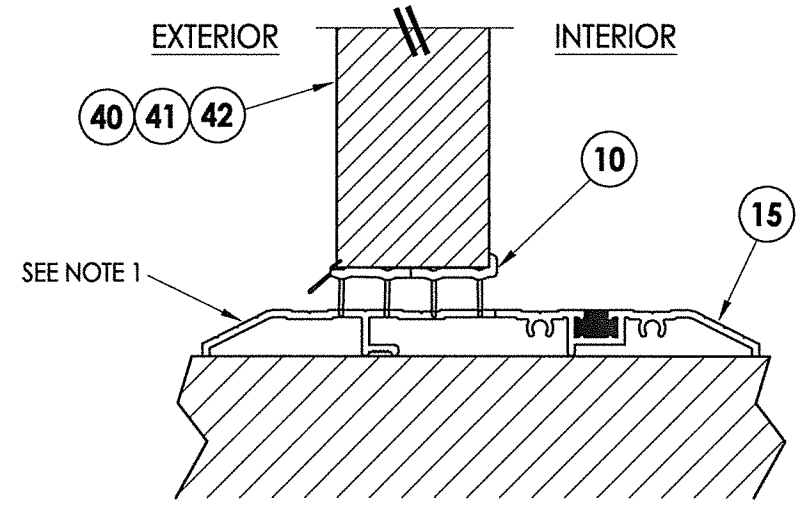
**1** VERTICAL CROSS SECTION  
**5** Inswing Sill



**2** VERTICAL CROSS SECTION  
**5** Inswing Sill

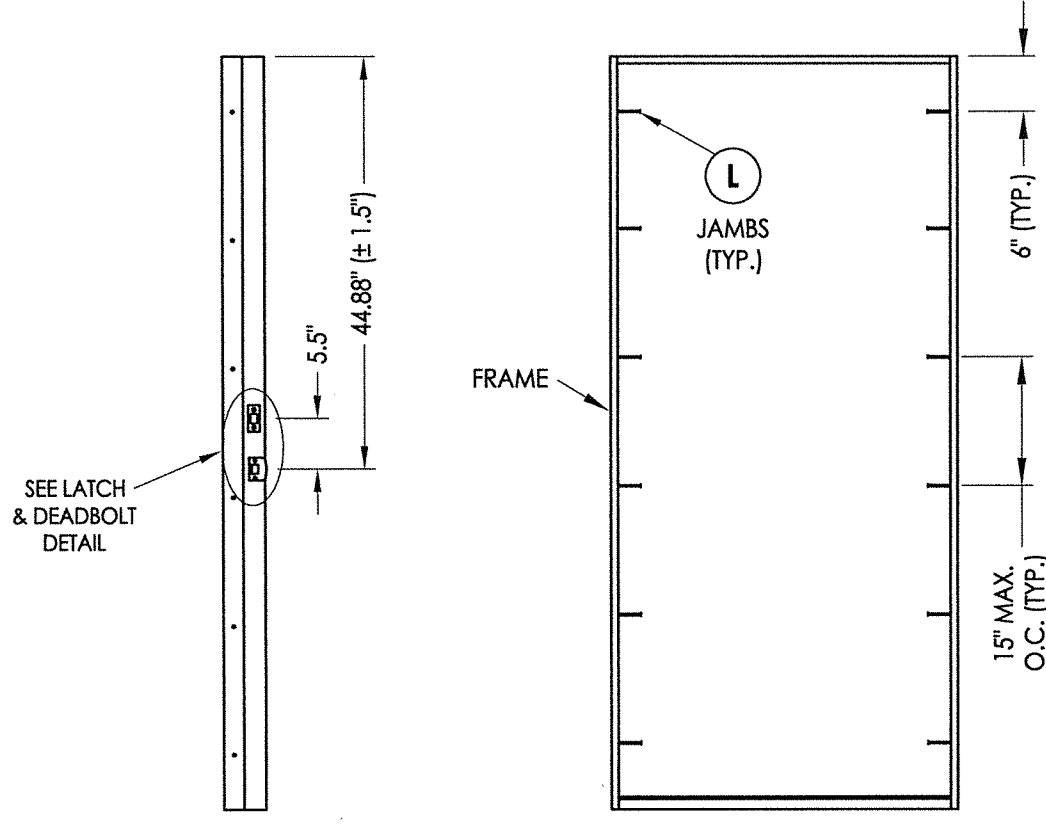


**3** VERTICAL CROSS SECTION  
**5** Outswing Sill (Coastal Sill Shown)



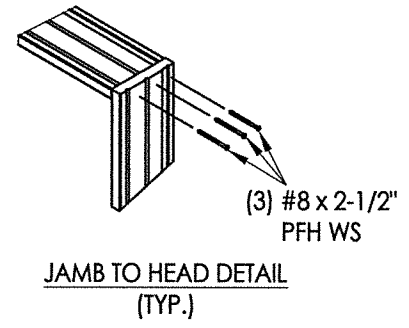
**4** VERTICAL CROSS SECTION  
**5** Public Access Sill

Documents Prepared By: Lyndon F. Schmidt, P.E. TEXAS P.E. #104123		<b>RW</b> BUILDING CONSULTANTS, INC. P.O. Box 230 Valrico FL 33595 Phone No.: 813.659.9197		CERTIFICATE OF REGISTRATION # F-11852	
PRODUCT: THERMA-TRU FIBERGLASS DOOR		PART OR ASSEMBLY: VERTICAL CROSS SECTIONS (THRESHOLDS)			
				NO. 1	DATE 9/27/21
				LFS	BY
				REVISIONS	
DATE: 11/27/17					
SCALE: N.T.S.					
DWG. BY: JK					
CHK. BY: LFS					
DRAWING NO.: TX-4764					
SHEET 5 OF 9					



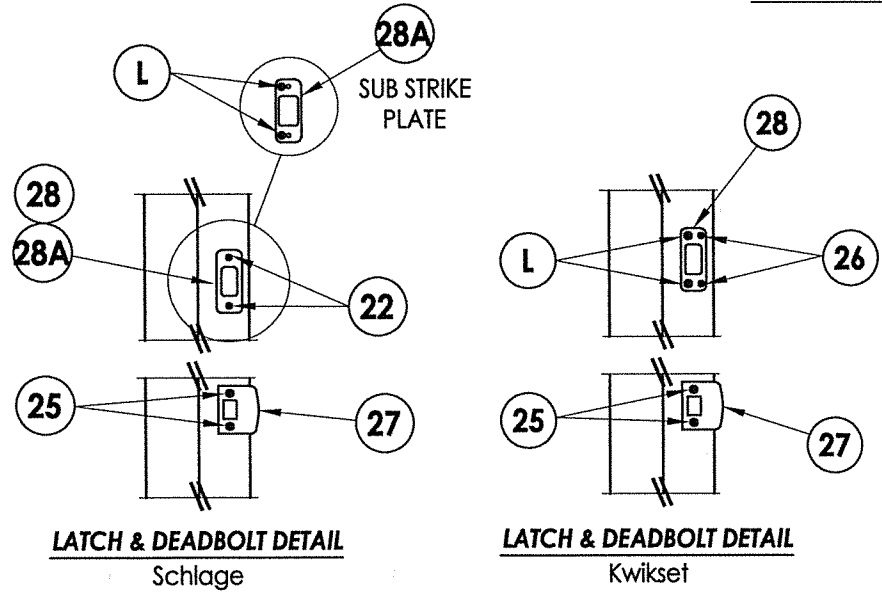
**STRIKE JAMB**  
Latch and Deadbolt

**HINGE JAMB**



**JAMB TO HEAD DETAIL**  
(TYP.)

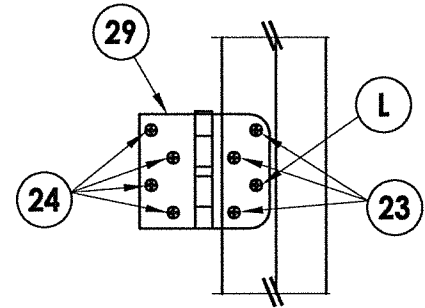
**FRAME ANCHORING**



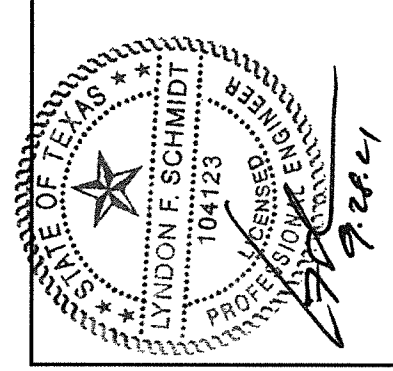
**LATCH & DEADBOLT DETAIL**  
Schlage

**LATCH & DEADBOLT DETAIL**  
Kwikset

**LATCH & DEADBOLT STRIKE DETAILS**  
(Standard Deadbolt Strike Plate)



**HINGE DETAIL**



Documents Prepared By: Lyndon F. Schmidt, P.E.  
TEXAS P.E. #104123

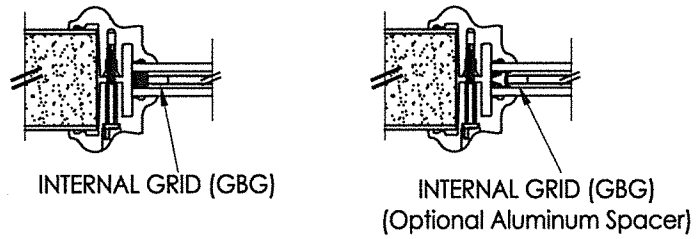
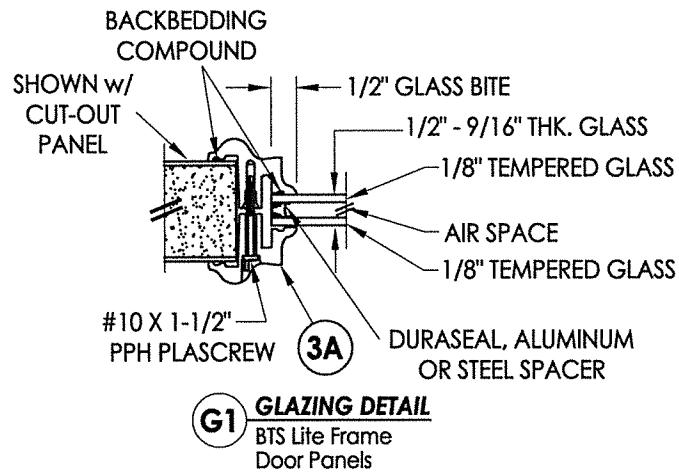
**RW** BUILDING CONSULTANTS, INC.  
P.O. Box 230 Valrico FL 33595  
Phone No.: 813.659.9197

CERTIFICATE OF REGISTRATION # F-11852

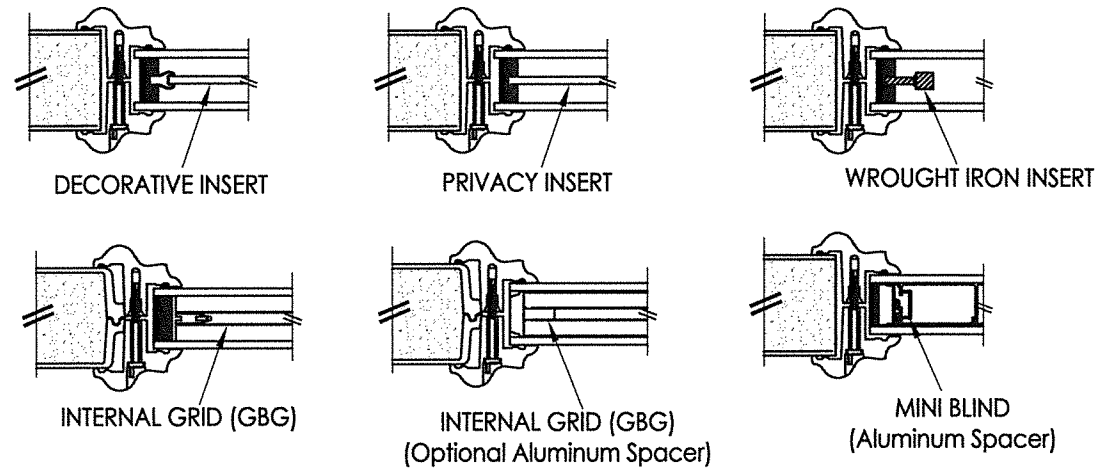
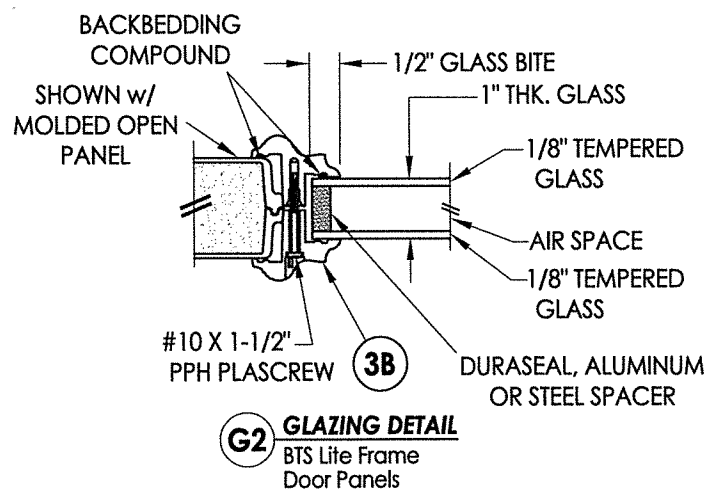
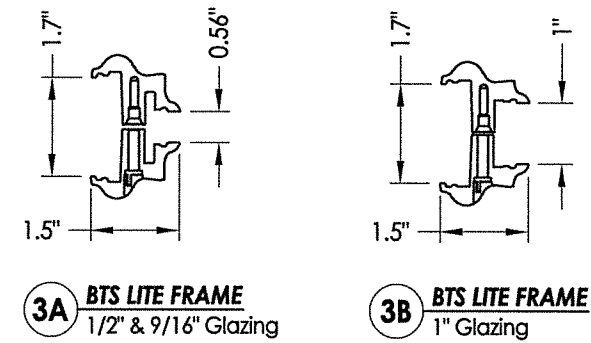
PRODUCT:	THERMA-TRU FIBERGLASS DOOR
PART OR ASSEMBLY:	FRAME ANCHORING & HARDWARE DETAILS

NO.	DATE	DESCRIPTION	BY
1	9/27/21	UPDATE TO 2018 IBC/IRC CODE	LFS

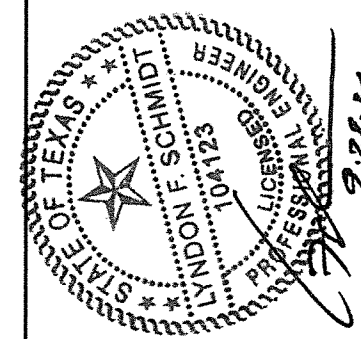
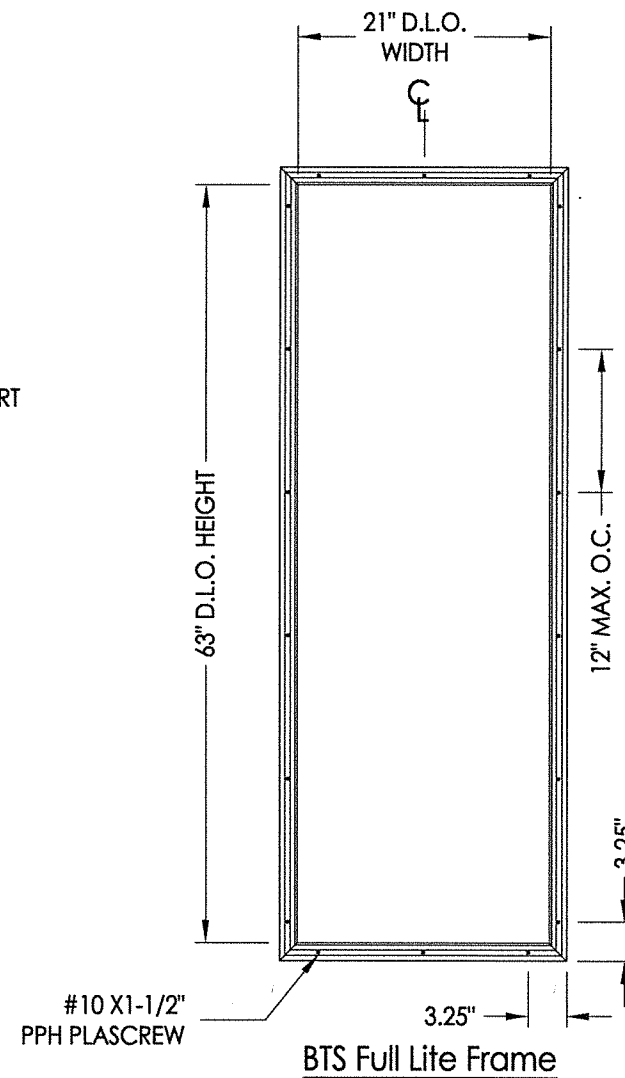
DATE:	11/27/17
SCALE:	N.T.S.
DWG. BY:	JK
CHK. BY:	LFS
DRAWING NO.:	TX-4764
SHEET	6 OF 9



9/16" INSULATED GLASS INSERT OPTIONS



1" INSULATED GLASS INSERT OPTIONS



Documents Prepared By: Lyndon F. Schmidt, P.E.  
TEXAS P.E. #104123

**RW** BUILDING CONSULTANTS, INC.  
P.O. Box 230 Valrico FL 33595  
Phone No.: 813.659.9197

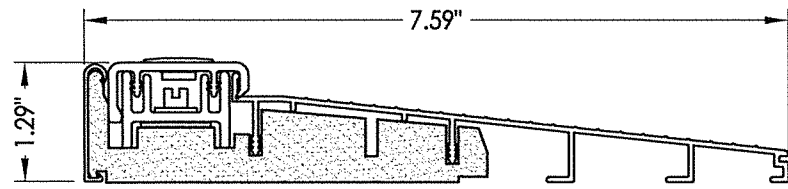
CERTIFICATE OF REGISTRATION # F-11852

PRODUCT: THERMA-TRU FIBERGLASS DOOR  
PART OR ASSEMBLY: GLAZING DETAILS

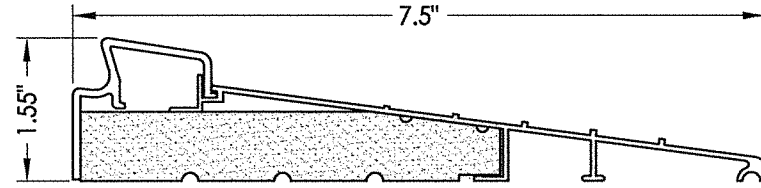
NO.	DATE	DESCRIPTION	BY
1	9/27/21	UPDATE TO 2018 IBC/IRC CODE	LFS

DATE: 11/27/17  
SCALE: N.T.S.  
DWG. BY: JK  
CHK. BY: LFS  
DRAWING NO.: TX-4764  
SHEET 7 OF 9

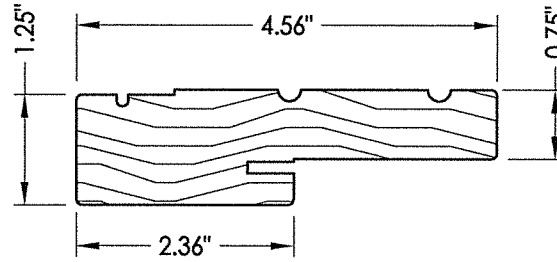




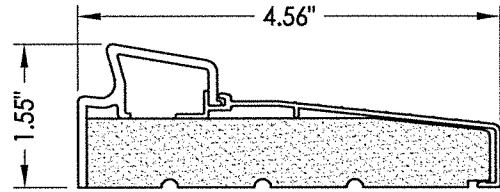
**32 INSWING THRESHOLD**  
Inswing Basic Composite Adjustable Sill 7-1/2"



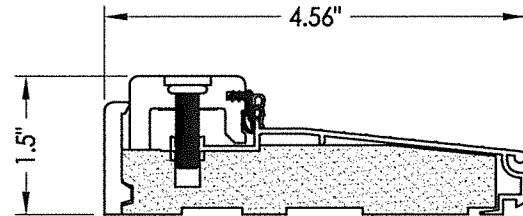
**37 INSWING THRESHOLD**  
Inswing Basic Fixed 7-1/2" Sill



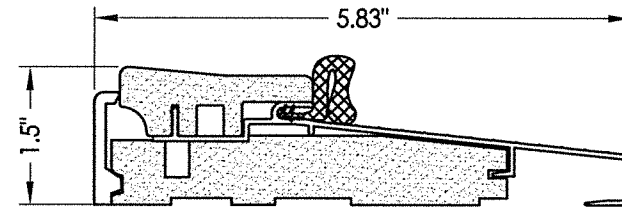
**1 WOOD JAMB**



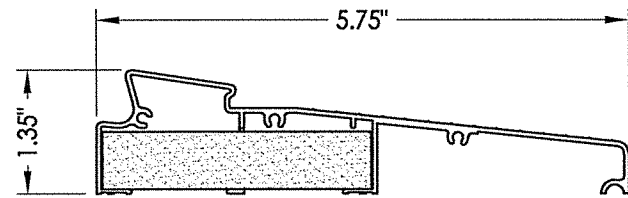
**33 INSWING THRESHOLD**  
Inswing Basic Fixed Sill



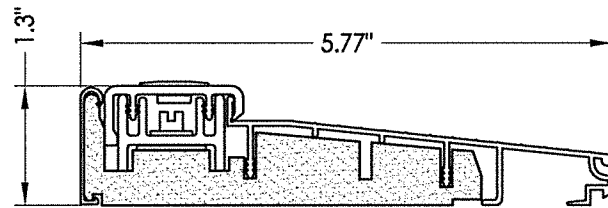
**38 INSWING THRESHOLD**  
Inswing Composite Adjustable Sill



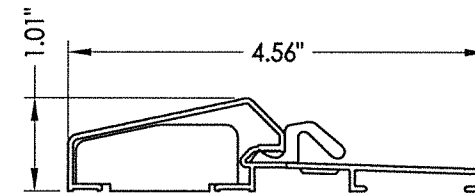
**16 OUTSWING THRESHOLD**  
Composite Sill



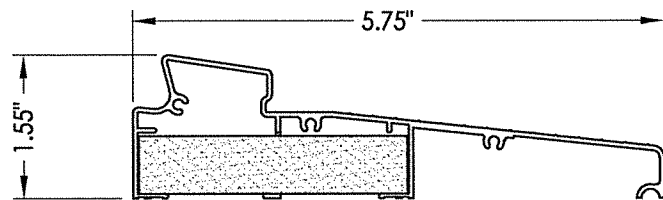
**34 INSWING THRESHOLD**  
Inswing Moderate Climate Sill 1-3/8"



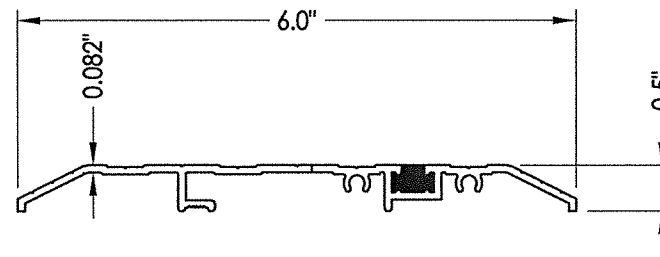
**39 INSWING THRESHOLD**  
Inswing Basic Composite Adjustable Sill



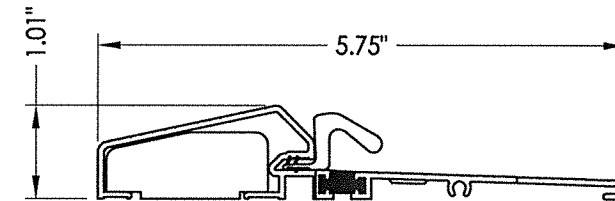
**17 OUTSWING THRESHOLD**  
Composite / Aluminum Sill



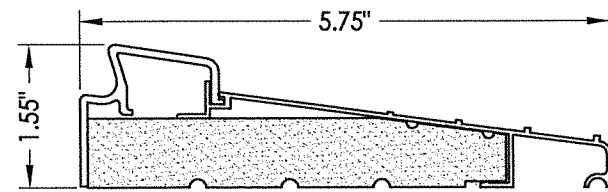
**35 INSWING THRESHOLD**  
Inswing Moderate Climate Sill



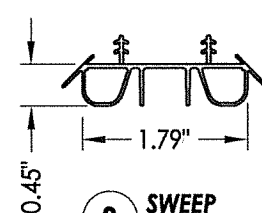
**15 PUBLIC ACCESS THRESHOLD**



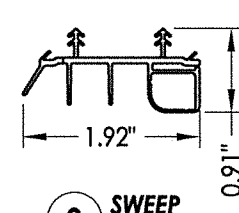
**18 OUTSWING THRESHOLD**  
Composite / Aluminum Sill  
(Thermal Break)



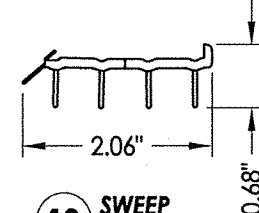
**36 INSWING THRESHOLD**  
Inswing Basic Fixed 5-3/4" Sill



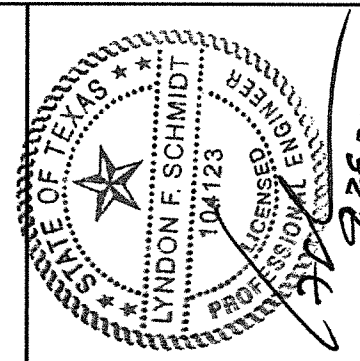
**8 SWEEP**



**9 SWEEP**



**10 SWEEP**



Documents Prepared By: Lyndon F. Schmidt, P.E.  
TEXAS P.E. #104123

**RW** BUILDING CONSULTANTS, INC.  
P.O. Box 230 Valrico FL 33595  
Phone No.: 813.659.9197

CERTIFICATE OF REGISTRATION # F-11852

PRODUCT: THERMA-TRU FIBERGLASS DOOR

PART OR ASSEMBLY: COMPONENTS

NO.	DATE	REVISIONS	BY
1	9/27/21	UPDATE TO 2018 IBC/IRC CODE	LFS

DATE: 11/27/17

SCALE: N.T.S.

DWG. BY: JK

CHK. BY: LFS

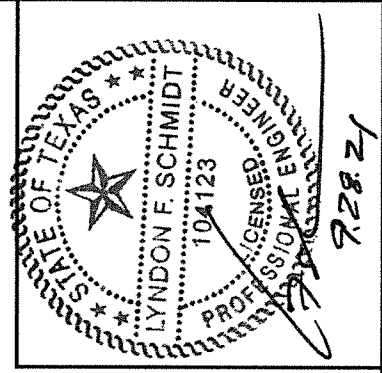
DRAWING NO.: TX-4764

SHEET 8 OF 9



**BILL OF MATERIALS**

ITEM #	DESCRIPTION	MATERIAL
A	2X FRAMING (SG >= 0.42)	WOOD
C	1/4" MAX. SHIM SPACE	-
L	#10 X 2-1/2" PFH WOOD SCREW (1.15" MIN. EMBEDMENT)	STEEL
1	JAMB (FINGER JOINT PINE)	WOOD
6	WEATHERSTRIP (MEDIUM REACH)	FOAM
7	WEATHERSTRIP (LONG REACH)	FOAM
8	SWEEP	VINYL
9	SWEEP (USE w/ MODERATE CLIMATE THRESHOLD)	VINYL
10	SWEEP (USE w/ PUBLIC ACCESS THRESHOLD)	VINYL
15	PUBLIC ACCESS THRESHOLD	ALUM
16	OUTSWING THRESHOLD	ALUM/COMP
17	OUTSWING THRESHOLD	ALUM/COMP
18	OUTSWING THRESHOLD	ALUM/COMP
22	#8 x 3/4" PFH WOOD SCREW	STEEL
23	#10 x 3/4" PFH WOOD SCREW	STEEL
24	#10 x 1" PFH WOOD SCREW	STEEL
25	#8 x 2-1/2" PFH WOOD SCREW	STEEL
26	#8 x 5/8" PFH WOOD SCREW	STEEL
27	LATCH STRIKE PLATE	STEEL
28	DEADBOLT SUB STRIKE PLATE	STEEL
28A	DEADBOLT SUB STRIKE PLATE	STEEL
29	4" X 4" HINGE	STEEL
32	INSWING THRESHOLD	ALUM/COMP
33	INSWING THRESHOLD	ALUM/COMP
34	INSWING THRESHOLD	ALUM/COMP
35	INSWING THRESHOLD	ALUM/COMP
36	INSWING THRESHOLD	ALUM/COMP
37	INSWING THRESHOLD	ALUM/COMP
38	INSWING THRESHOLD	ALUM/COMP
39	INSWING THRESHOLD	ALUM/COMP
40	DOOR PANEL (BOOK)	-
41	DOOR PANEL (HYBRID)	-
42	DOOR PANEL (U1)	-



Documents Prepared By: Lyndon F. Schmidt, P.E.  
TEXAS P.E. #104123

**RW** BUILDING CONSULTANTS, INC.  
P.O. Box 230 Valrico FL 33595  
Phone No.: 813.659.9197

CERTIFICATE OF REGISTRATION # F-11852

PRODUCT: THERMA-TRU FIBERGLASS DOOR  
PART OR ASSEMBLY: BILL OF MATERIALS

NO.	DATE	DESCRIPTION	LFS	BY
1	9/27/21	UPDATE TO 2018 IBC/IRC CODE		

DATE: 11/27/17  
SCALE: N.T.S.  
DWG. BY: JK  
CHK. BY: LFS  
DRAWING NO.: TX-4764  
SHEET 9 OF 9