

# THERMA-TRU<sup>®</sup> DOORS

Fiber-Classic<sup>®</sup> & Smooth-Star<sup>®</sup>

## COMPOSITE EDGE GLAZED FIBERGLASS SINGLE DOOR IN SWING/OUT SWING "IMPACT"

EVALUATED FOR USE IN THE STATE OF TEXAS

The Fiberglass Door described herein complies with the 2006 International Residential Code (IRC), Sections R301 & R613 and the 2006 International Building Code (IBC), Sections 1405.12, 1609, 1714.5, 2403 and 2404 (including Texas revisions) subject to the following conditions:

1. Anchors shall be as listed and spaced as shown in the details. Anchor embedment to base material shall be beyond wall dressing or stucco.
2. This product has been tested and evaluated as a large missile impact protective system for installation in the Seaward, Inland I and Inland II areas. The glazed door meets missile level "D" as defined in ASTM E 1996.
3. Allowable design pressure requirements must be equal to or less than the design pressure rating shown in the design pressure chart, sheet 1 of this drawing.
4. Conditions not covered by this drawing are subject to further engineering analysis.
5. Fiber-Classic and Smooth-Star Door panels require the use of "J" part numbers. These door and sidelite panels must be stained or painted within six months of installation.

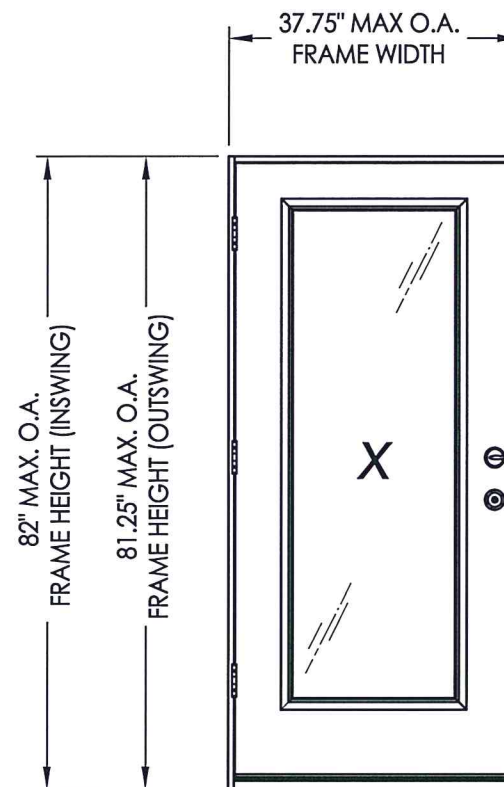


TABLE OF CONTENTS	
SHEET #	DESCRIPTION
1	Typical Elevations, Design Pressures & General Notes
2	Door Panel Details
3	Elevations
4	Horizontal & Vertical Cross Sections
5	Vertical Cross Sections (Thresholds)
6	Frame Anchoring & Hardware Details
7	Glazing Details
8	Components
9	Bill of Materials

CONFIGURATION	LOCK HARDWARE	DESIGN PRESSURE (PSF) IN SWING		DESIGN PRESSURE (PSF) OUT SWING	
		POSITIVE	NEGATIVE	POSITIVE	NEGATIVE
X	Latch & Deadbolt	+47.0	-53.0	+50.0	-50.0
X	Multipoint	+50.0	-50.0	+50.0	-50.0

See Sheet 3 for Hardware Specifications

STATE OF TEXAS  
LYNDON F. SCHMIDT  
104123  
PROFESSIONAL ENGINEER

Documents Prepared By: Lyndon F. Schmidt, P.E.  
TEXAS P.E. #104123

**RW** BUILDING CONSULTANTS, INC.  
P.O. Box 230 Valrico FL 33595  
Phone No.: 813.659.9197

CERTIFICATE OF REGISTRATION # F-11852

PRODUCT: THERMA-TRU FIBERGLASS DOOR

PART OR ASSEMBLY: TYPICAL ELEVATION, DESIGN PRESSURES & GENERAL NOTES

NO.	DATE	BY	REVISIONS

DATE: 10/24/17

SCALE: N.T.S.

DWG. BY: JK

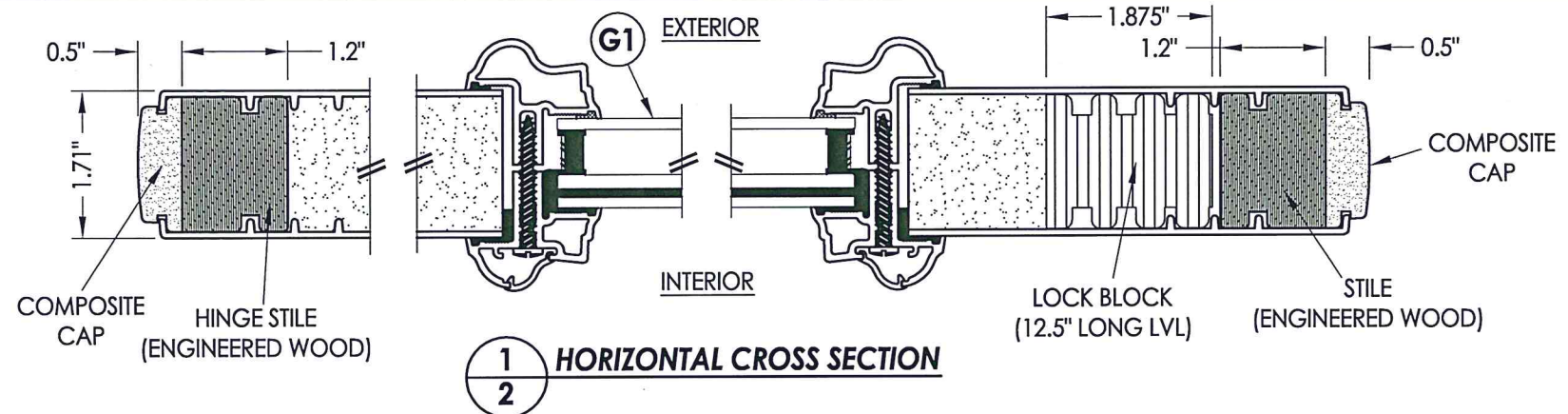
CHK. BY: LFS

DRAWING NO.: TX-4729

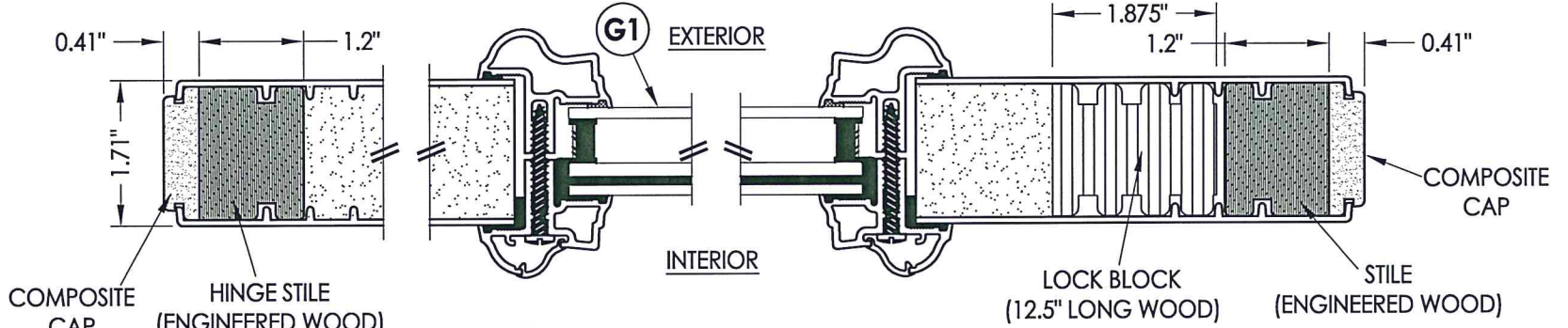
SHEET 1 OF 9



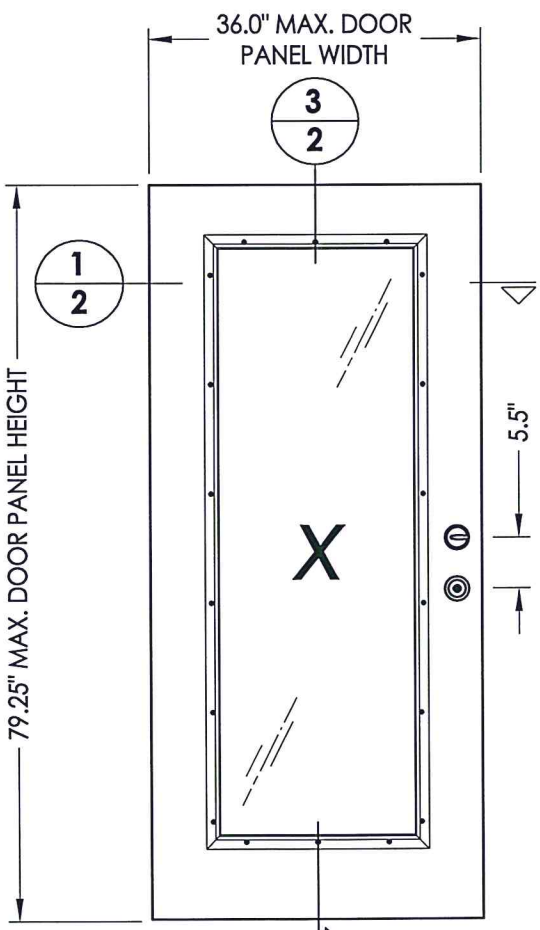
R:\Clients\Therma Tru PERMANENT\B - Texas Dept of Ins\TDI - DR-XXX - 6'8 & 8'0 Glazed Comp Edge Impact\C - Drawings\TX-4729-31.dwg, 2.1



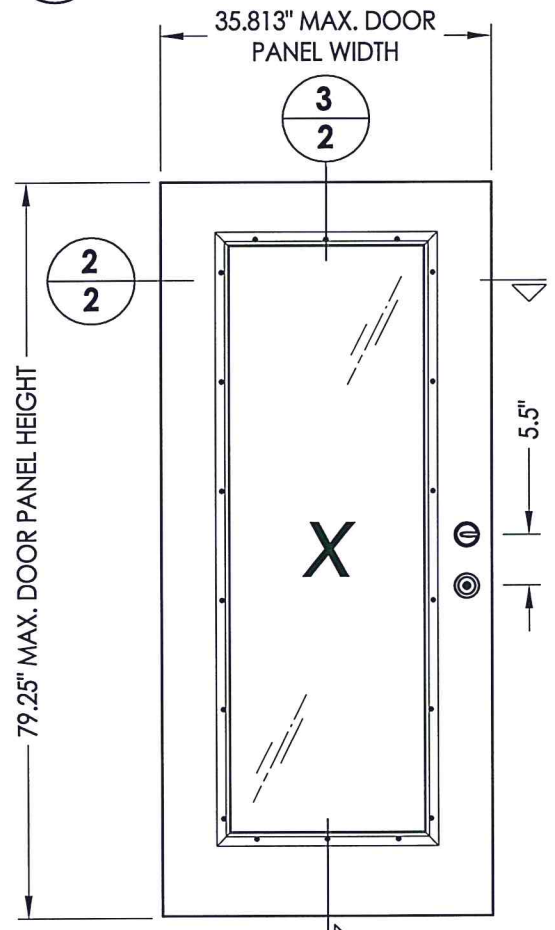
**1**  
**2** HORIZONTAL CROSS SECTION



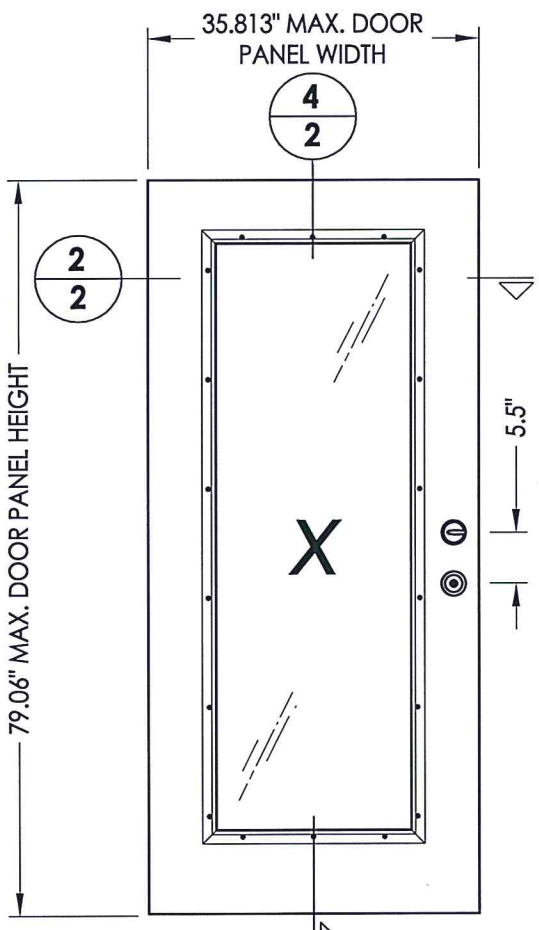
**2**  
**2** HORIZONTAL CROSS SECTION



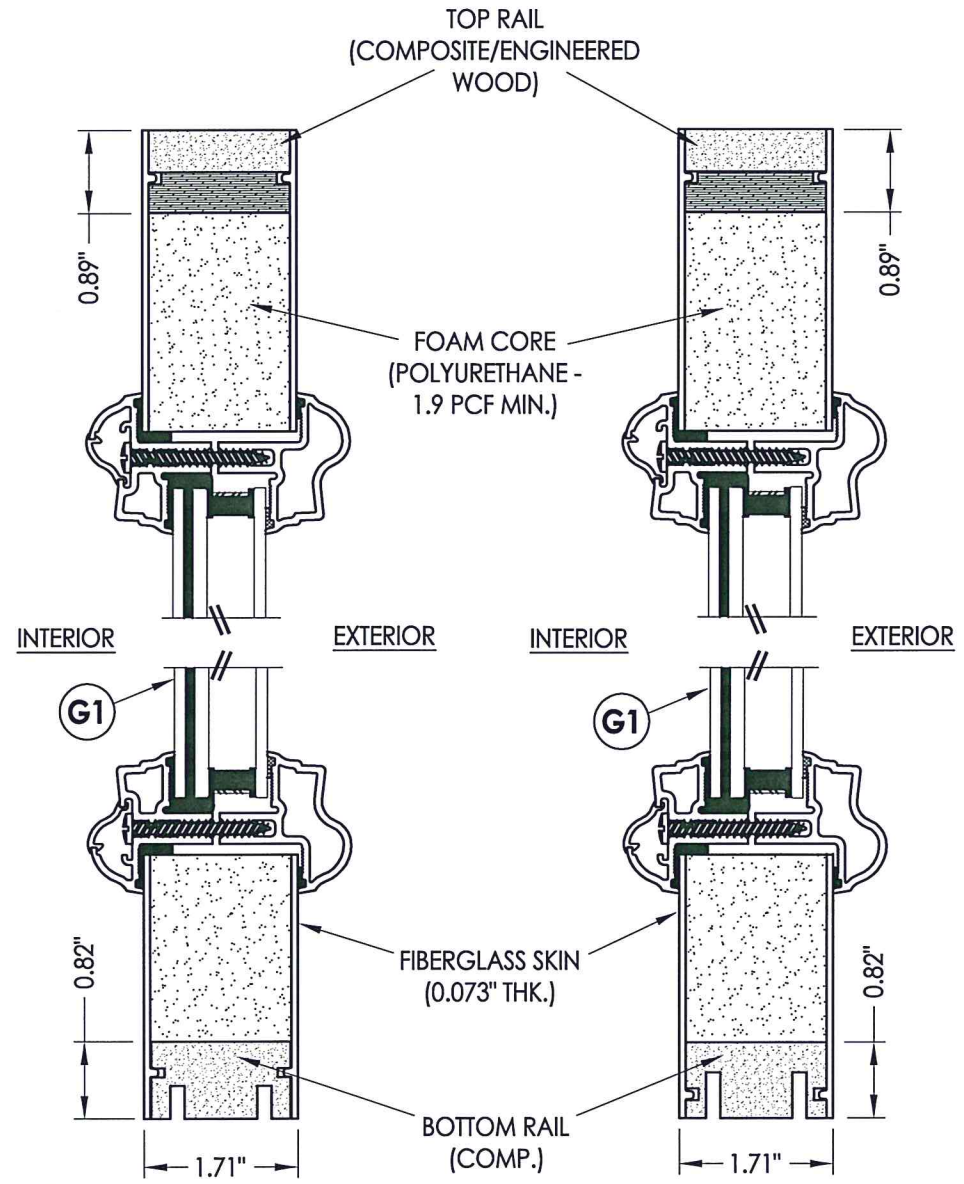
**40** DOOR PANEL BOOK



**41** DOOR PANEL Hybrid Door

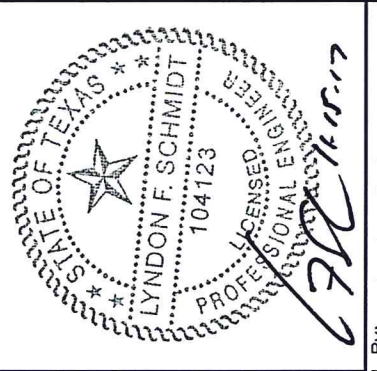


**42** DOOR PANEL U1 Door



**3**  
**2** VERTICAL CROSS SECTION

**4**  
**2** VERTICAL CROSS SECTION



Documents Prepared By: Lyndon F. Schmidt, P.E.  
TEXAS P.E. #104123

**RW** BUILDING CONSULTANTS, INC.  
P.O. Box 230 Valrico FL 33595  
Phone No.: 813.659.9197

CERTIFICATE OF REGISTRATION # F-11852

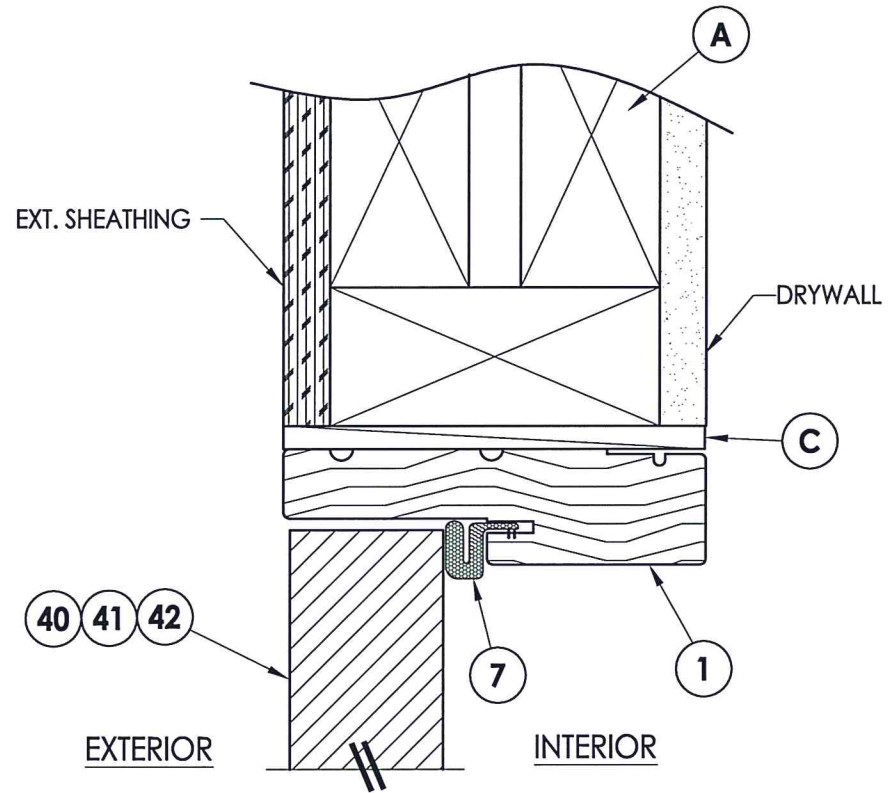
PRODUCT:	Therma-TRU FIBERGLASS DOOR
PART OR ASSEMBLY:	DOOR PANEL DETAILS

NO.	DATE	BY	REVISIONS

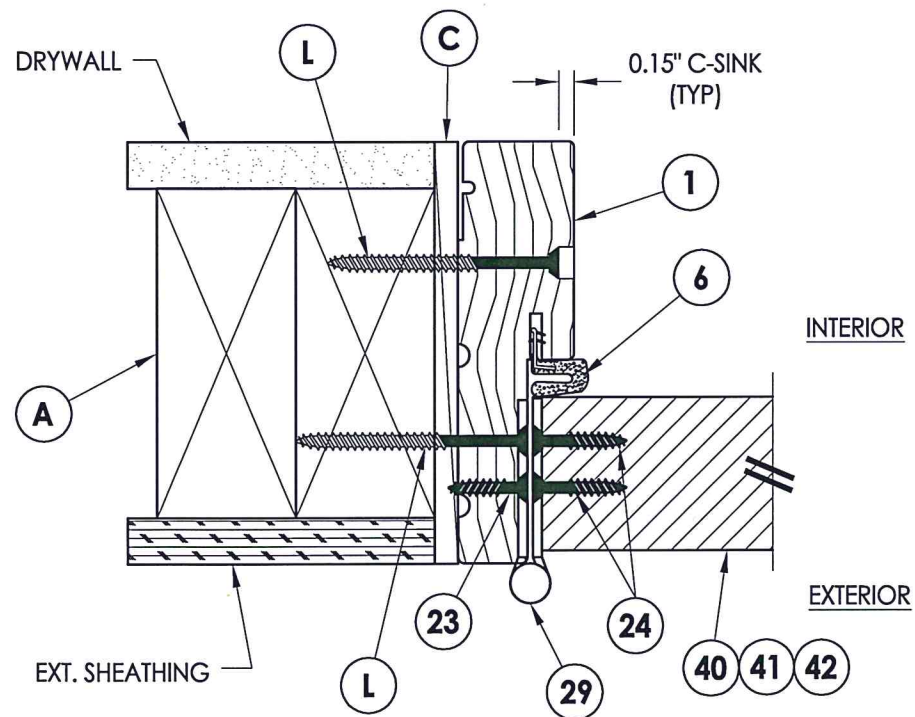
DATE: 10/24/17  
SCALE: N.T.S.  
DWG. BY: JK  
CHK. BY: LFS  
DRAWING NO.: TX-4729  
SHEET 2 of 9



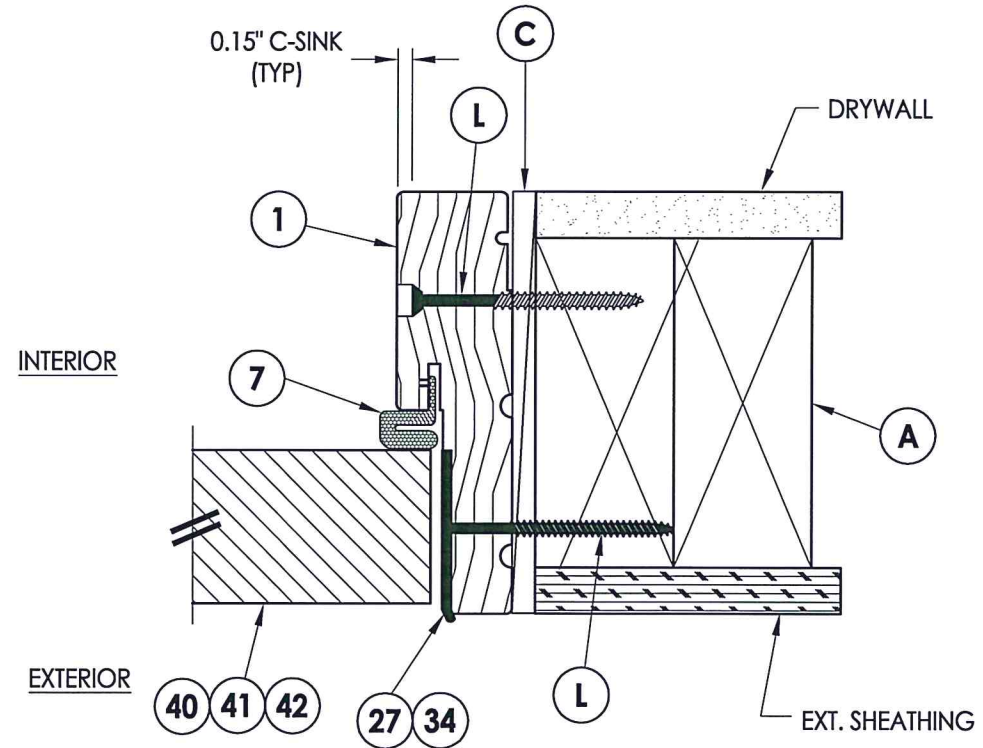




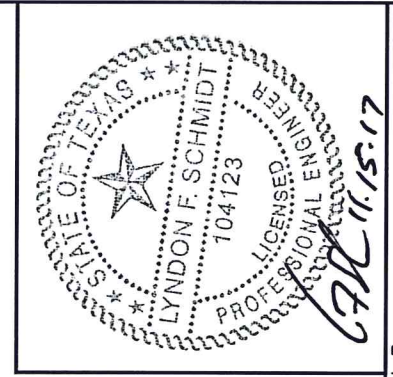
**1** VERTICAL CROSS SECTION  
**4** Outswing shown (Inswing similar)



**2** HORIZONTAL CROSS SECTION  
**4** Outswing shown (Inswing similar)



**3** HORIZONTAL CROSS SECTION  
**4** Outswing shown (Inswing similar)



Documents Prepared By: Lyndon F. Schmidt, P.E.  
 TEXAS P.E. #104123

**RW** BUILDING CONSULTANTS, INC.  
 P.O. Box 230 Valrico FL 33595  
 Phone No.: 813.659.9197

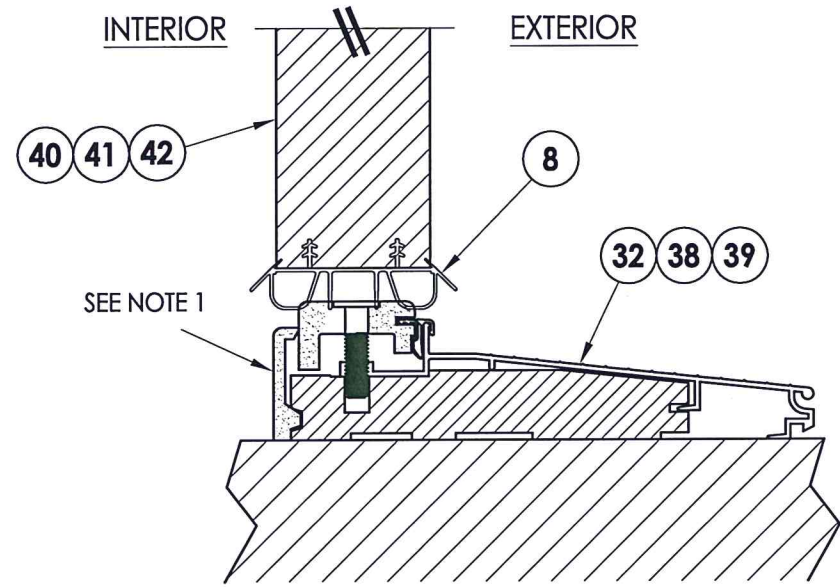
CERTIFICATE OF REGISTRATION # F-11852

PRODUCT: THERMA-TRU FIBERGLASS DOOR	
PART OR ASSEMBLY: HORIZONTAL & VERTICAL CROSS SECTIONS	
NO.	DATE
BY	REVISIONS
DATE: 10/24/17	
SCALE: N.T.S.	
DWG. BY: JK	
CHK. BY: LFS	
DRAWING NO.: TX-4729	
SHEET 4 OF 9	

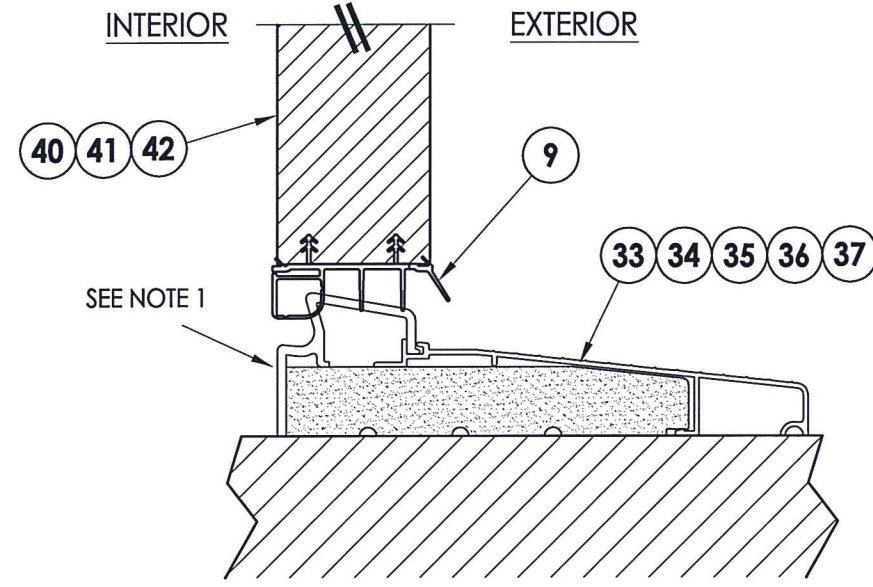


R:\Clients\Therma Tru PERMANENT\B - Texas Dept of Ins\TDI - DR-XXX - 6'8 & 8'0 Glazed Comp Edge Impact\C - Drawings\TX-4729-31.dwg, 5.1

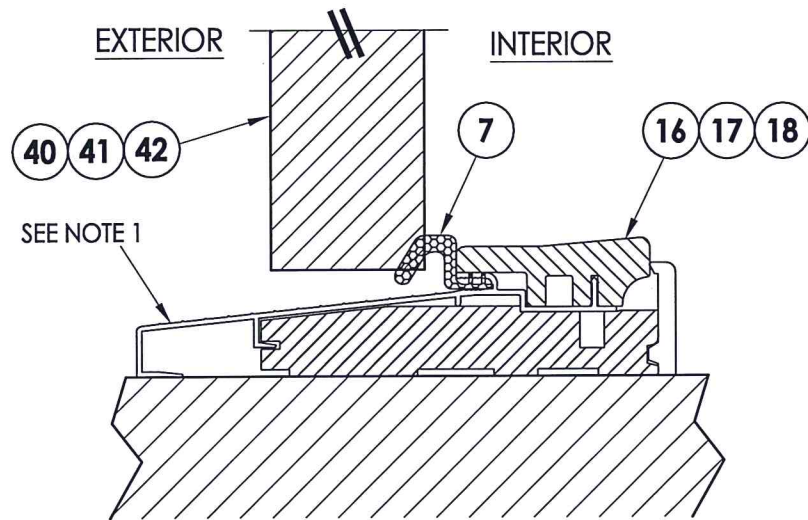
Notes:  
 1. Sill Item #'s 16, 32, 33, 34, 35, 36, 37, 38 & 39 are attached to jambs w/ (3) #8 X 2-1/2" pph screws at each end.  
 Sill Item #'s 17 & 18 are attached to jambs w/ (2) #8 X 2-1/2" pph screws at each end.  
 Sill Item #15 is attached to jambs utilizing (2) #10 X 1-1/2" pph screws at each end.



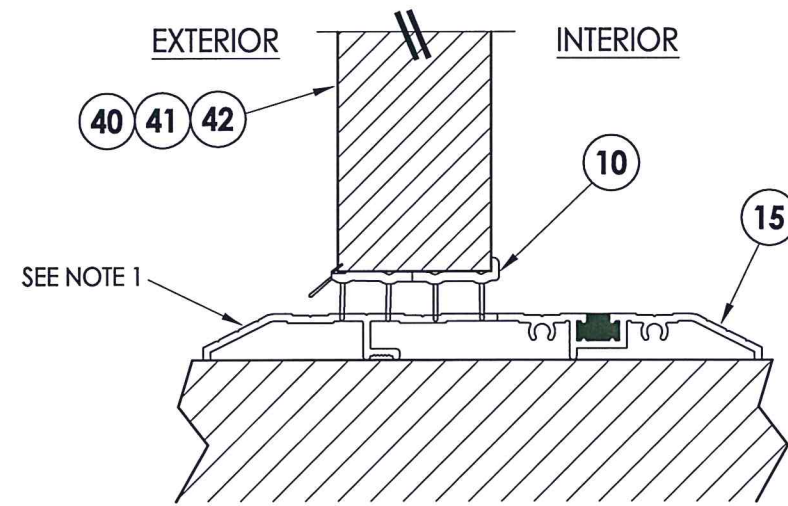
**1** VERTICAL CROSS SECTION  
**5** Inswing Sill



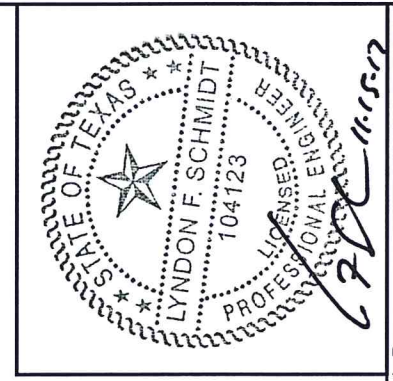
**2** VERTICAL CROSS SECTION  
**5** Inswing Sill



**3** VERTICAL CROSS SECTION  
**5** Outswing Sill (Coastal Sill Shown)



**4** VERTICAL CROSS SECTION  
**5** Public Access Sill



Documents Prepared By: Lyndon F. Schmidt, P.E.  
 TEXAS P.E. #104123

**RW** BUILDING CONSULTANTS, INC.  
 P.O. Box 230 Valrico FL, 33595  
 Phone No.: 813.659.9197

CERTIFICATE OF REGISTRATION # F-11852

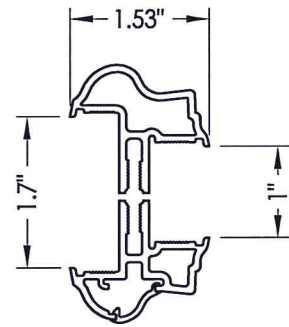
PRODUCT: THERMA-TRU FIBERGLASS DOOR  
 PART OR ASSEMBLY: VERTICAL CROSS SECTIONS (THRESHOLDS)

NO.	DATE	BY	REVISIONS

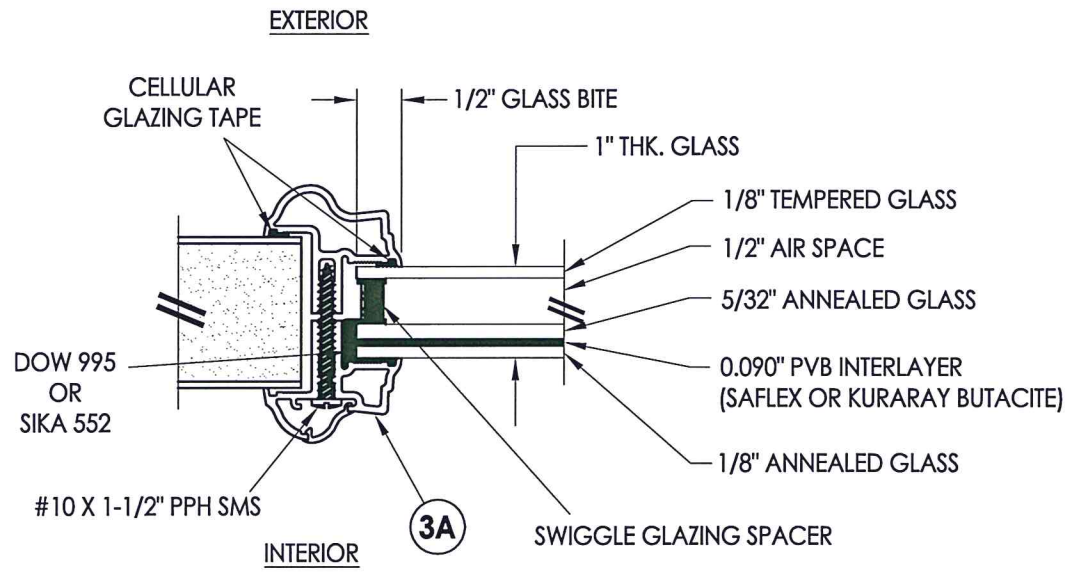
DATE: 10/24/17  
 SCALE: N.T.S.  
 DWG. BY: JK  
 CHK. BY: LFS  
 DRAWING NO.: TX-4729  
 SHEET 5 OF 9



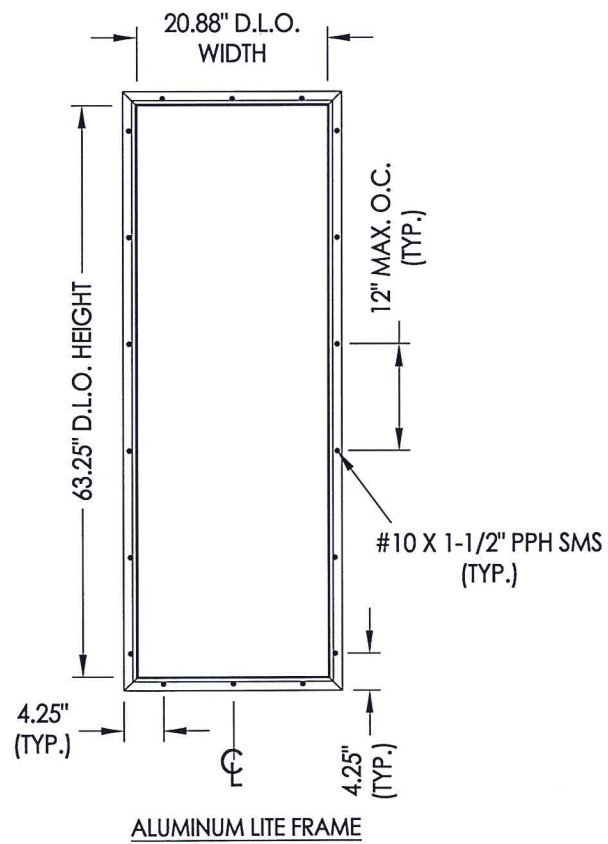




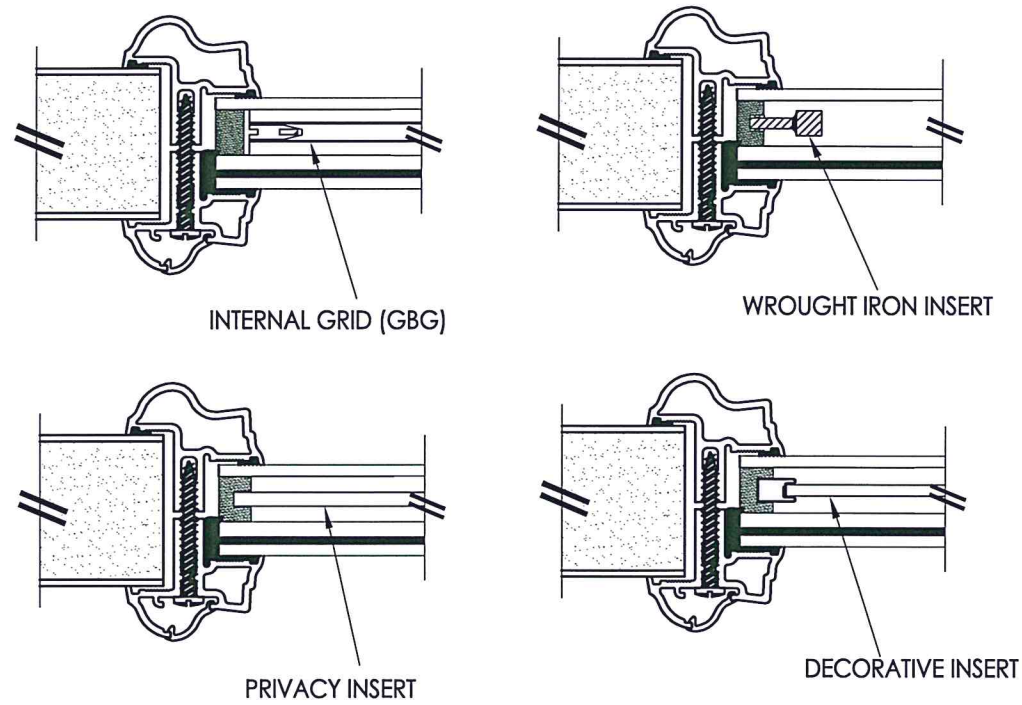
**3A ALUMINUM FRAME**  
Aluminum Impact Lite Frame  
Door Panels & Sidelites



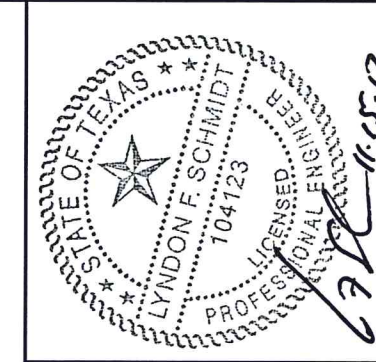
**G1 GLAZING DETAIL**  
Aluminum Impact Lite Frame  
Door Panels & Sidelites



ALUMINUM LITE FRAME



1" LAMINATED INSULATED IMPACT GLASS INSERT OPTIONS



Documents Prepared By: Lyndon F. Schmidt, P.E.  
TEXAS P.E. #104123

**RW** BUILDING CONSULTANTS, INC.  
P.O. Box 230 Valrico FL, 33595  
Phone No.: 813.659.9197

CERTIFICATE OF REGISTRATION # F-11852

PRODUCT: THERMA-TRU FIBERGLASS DOOR	
PART OR ASSEMBLY: GLAZING DETAILS	
NO.	DATE
BY	REVISIONS
DATE: 10/24/17	
SCALE: N.T.S.	
DWG. BY: JK	
CHK. BY: LFS	
DRAWING NO.: TX-4729	
SHEET 7 of 9	





