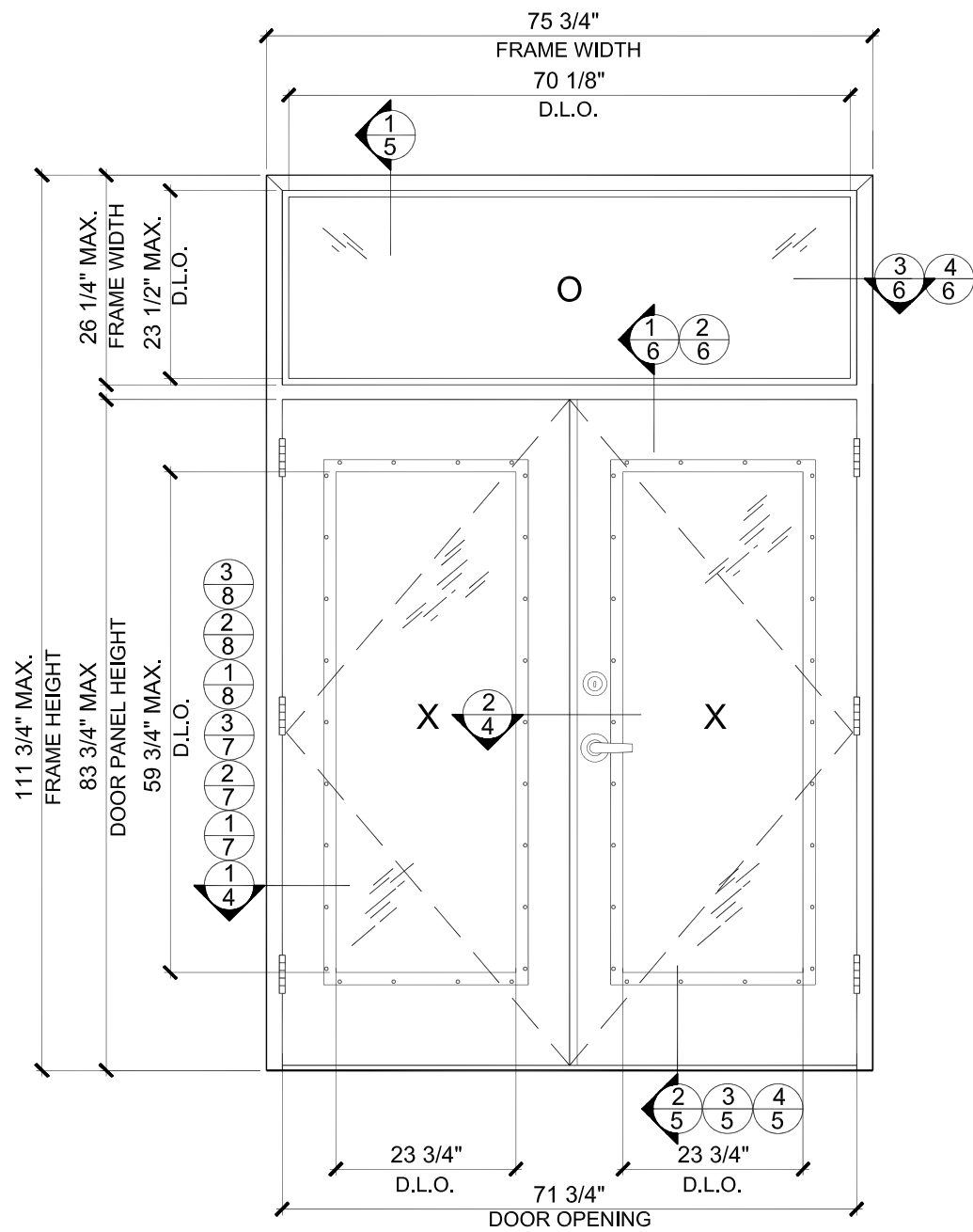


5/24/2022 4:52 PM

s:\projects\dormakaba\tdi-22-0310 - tdi submittal - re-evaluation - dr901 & dr902.dwg\mdio10.dwg



**DOUBLE DOOR TYP. ELEVATION**

DOOR PANEL: MIN. 18 GA. (0.042" THK.) STEEL MIN. Fy = 42 KSI MIN.  
 DOOR FRAME: MIN. 14 GA. (0.067" THK.) STEEL MIN. Fy = 42 KSI MIN.

OVERALL FRAME SIZE		DOOR D.L.O		TRANSOM D.L.O		DESIGN PRESSURE (PSF)	
WIDTH	HEIGHT	WIDTH	HEIGHT	WIDTH	HEIGHT	POSITIVE	NEGATIVE
75.75"	111.75"	23.75"	59.75"	70.125"	23.50"	+65.0	-65.0

SEE SHEET 12 FOR ADDITIONAL DESIGN PRESSURE REQUIREMENTS DUE TO HARDWARE COMPONENT SELECTION

**"N" SERIES COMMERCIAL OUTSWING STEEL DOOR (LMI)**

1. THE PRODUCT SHOWN HEREIN IS DESIGNED AND MANUFACTURED TO COMPLY WITH THE 2018 INTERNATIONAL BUILDING CODE (IBC) AND INTERNATIONAL RESIDENTIAL CODE (IRC)
2. DOORS RATED FOR LARGE MISSILE IMPACT AND DO NOT REQUIRE SHUTTERS.
3. ANCHORS SHALL BE AS LISTED, SPACED AS SHOWN ON ELEVATIONS / DETAILS. ANCHOR EMBEDMENT TO BASE MATERIAL SHALL BE BEYOND WALL DRESSING OR STUCCO.
4. ANCHORING OR LOADING CONDITIONS NOT SHOWN IN THESE DETAILS ARE NOT PART OF THIS APPROVAL.
5. MATERIALS INCLUDING BUT NOT LIMITED TO STEEL/METAL SCREWS THAT COME INTO CONTACT WITH OTHER DISSIMILAR MATERIALS SHALL MEET THE REQUIREMENTS.
6. METAL STRUCTURES NOT BY MESKER INC. MUST SUPPORT LOADS IMPOSED BY DOOR SYSTEM AND TRANSFER THEM TO THE BUILDING STRUCTURE.
7. SEE SHEET 5 FOR WATER INFILTRATION RATING DETAILS. WATER TEST PRESSURE = 0.15 x POSITIVE DESIGN PRESSURE
8. DOORS THAT DO NOT MEET THE WATER INFILTRATION REQUIREMENTS SHALL BE INSTALLED ONLY IN NON-HABITABLE AREAS OR HABITABLE LOCATIONS PROTECTED BY AN OVERHANG OR CANOPY SUCH THAT THE ANGLE BETWEEN THE EDGE OF CANOPY OR OVERHANG TO SILL IS LESS THAN 45 DEGREES.
9. OTHER DOOR PANEL CONFIGURATIONS AVAILABLE PER REQUEST TO MANUFACTURE

**NOTES:**  
 EGRESS REQUIREMENTS TO BE REVIEWED BY BUILDING OFFICIAL.

TABLE OF CONTENTS	
SHEET	SHEET DESCRIPTION
1	TYPICAL ELEVATIONS, DESIGN PRESSURES, & GENERAL NOTES
2	TYPICAL ELEVATIONS & DESIGN PRESSURES
3	DOOR PANEL DETAILS
4	VERTICAL & HORIZONTAL CROSS SECTIONS
5	VERTICAL CROSS SECTIONS & GLAZING DETAILS
6	VERTICAL & HORIZONTAL CROSS SECTION
7	HORIZONTAL CROSS SECTIONS
8	HORIZONTAL CROSS SECTIONS
9	ANCHORING DETAILS
10	ANCHORING DETAILS
11	ANCHORING DETAILS
12	HARDWARE / LOCK OPTIONS
13	COMPONENTS
14	BILL OF MATERIALS & COMPONENTS



MESKER DOOR, a division of  
 Dormakaba USA, Inc.  
 3440 Standwood Blvd.  
 Huntsville, AL 35811  
 PH: (256) 851-6670

TITLE: "N" SERIES COMMERCIAL  
 OUTSWING STEEL DOOR

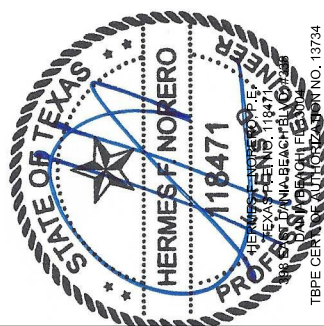
INSTALLATION & GENERAL NOTES

PREPARED BY:

**BD BUILDING DROPS, INC.**  
 398 E. DANIA BEACH BLVD. #338  
 DANIA BEACH, FL 33004  
 PH: (954) 399-8478 FX: (954) 744-4738

**REVISIONS**

DESCRIPTION	BY	DATE
2018 CODE REVISION	LL	5/24/22



DATE: 02.06.17  
 DWN BY: LS  
 CHK BY: HFN  
 SCALE: NTS

DWG #: **MDI010**

SHEET: **1 OF 14**

TITLE: "N" SERIES COMMERCIAL  
OUTSWING STEEL DOOR

INSTALLATION & GENERAL NOTES

PREPARED BY:

**BD BUILDING DROPS, INC.**  
398 E. DANIA BEACH BLVD. #338  
DANIA BEACH, FL 33004  
PH: (954) 399-8478 FX: (954) 744-4738

### REVISIONS

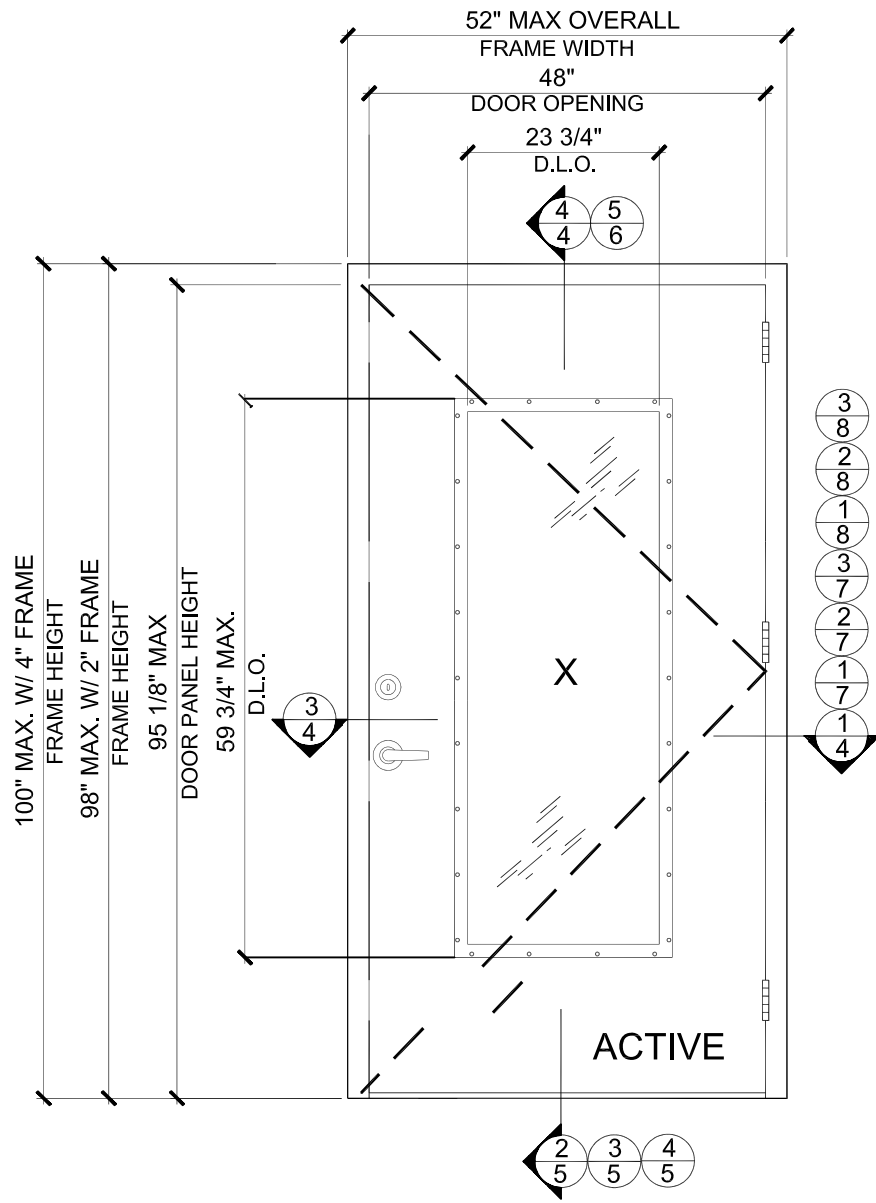
DESCRIPTION	BY	DATE
2018 CODE REVISION	LL	5/24/22



DATE:	02.06.17
DWN BY:	LS
CHK BY:	HFN
SCALE:	NTS

DWG #: **MDI010**

SHEET: **2 OF 14**

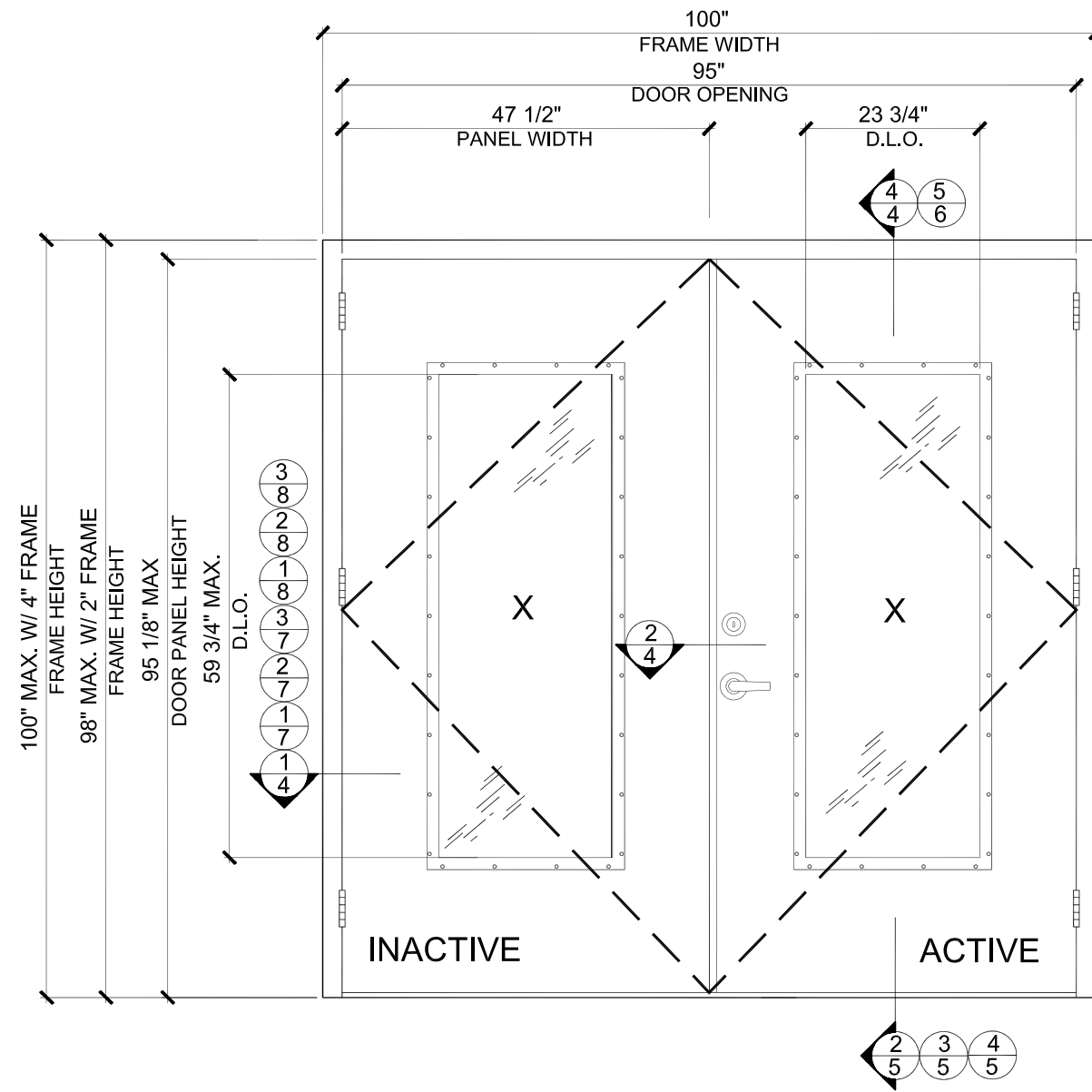


**SINGLE DOOR TYP. ELEVATION**

DOOR PANEL: MIN. 18 GA. (0.042" THK.) STEEL MIN. Fy = 42 KSI MIN.  
DOOR FRAME: MIN. 16 GA. (0.053" THK.) STEEL MIN. Fy = 42 KSI MIN.

OVERALL FRAME SIZE		DOOR D.L.O		DESIGN PRESSURE (PSF)	
WIDTH	HEIGHT	WIDTH	HEIGHT	POSITIVE	NEGATIVE
52.00"	100"	23.75"	59.75"	+65.0	-65.0

SEE SHEET 12 FOR ADDITIONAL DESIGN PRESSURE REQUIREMENTS DUE TO HARDWARE COMPONENT SELECTION



**DOUBLE DOOR TYP. ELEVATION**

DOOR PANEL: MIN. 18 GA. (0.042" THK.) STEEL MIN. Fy = 42 KSI MIN.  
DOOR FRAME: MIN. 16 GA. (0.053" THK.) STEEL MIN. Fy = 42 KSI MIN.

OVERALL FRAME SIZE		DOOR D.L.O		DESIGN PRESSURE (PSF)	
WIDTH	HEIGHT	WIDTH	HEIGHT	POSITIVE	NEGATIVE
100"	100"	23.75"	59.75"	+65.0	-65.0

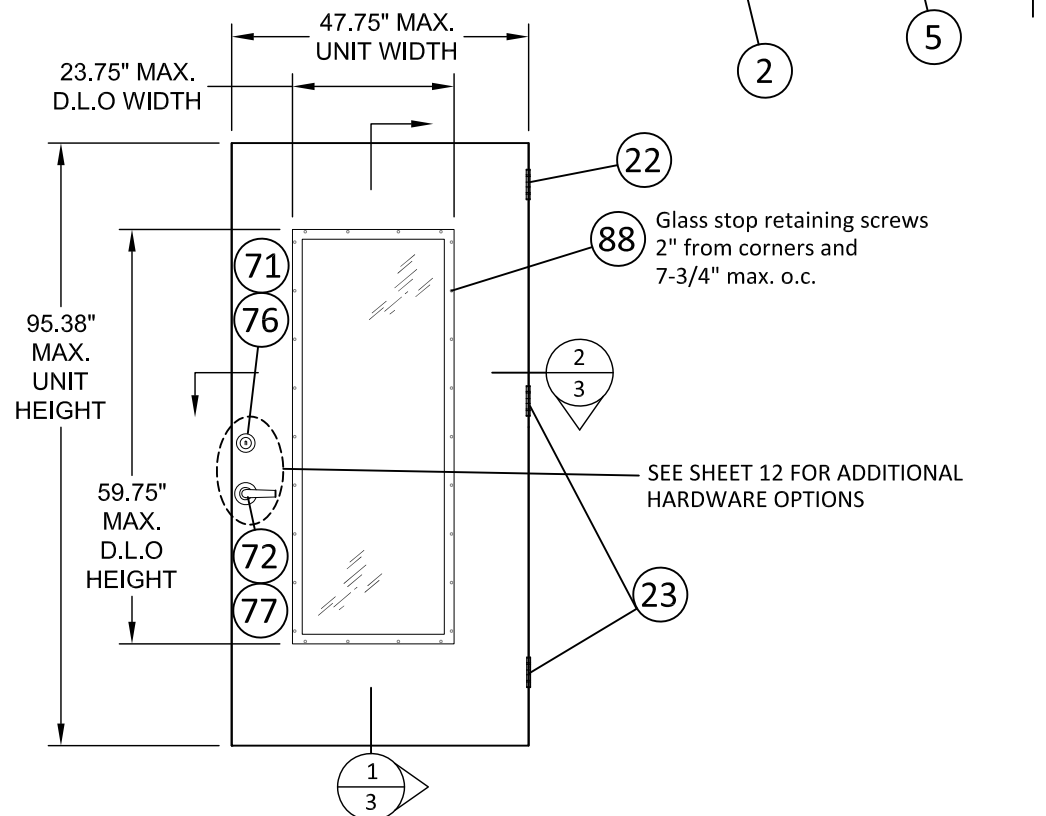
SEE SHEET 12 FOR ADDITIONAL DESIGN PRESSURE REQUIREMENTS DUE TO HARDWARE COMPONENT SELECTION

TITLE: "N" SERIES COMMERCIAL  
OUTSWING STEEL DOOR

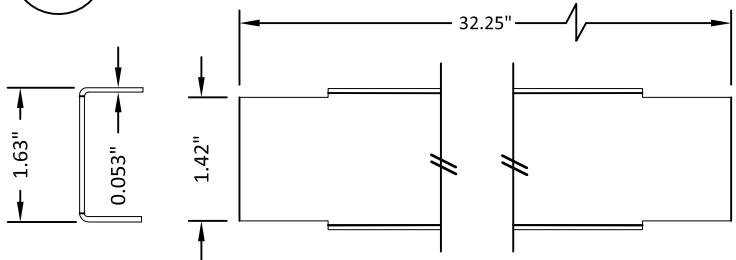
DOOR PANEL DETAILS

PREPARED BY:  
**BD BUILDING DROPS, INC.**  
398 E. DANIA BEACH BLVD. #338  
DANIA BEACH, FL 33004

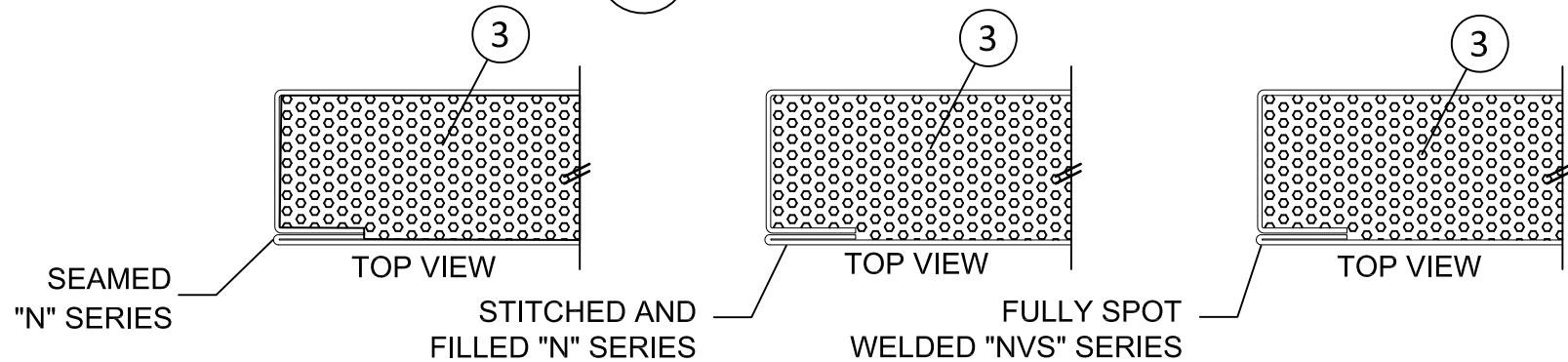
PH: (954) 399-8478 FX: (954) 744-4738



**1 "N" STEEL DOOR PANEL**

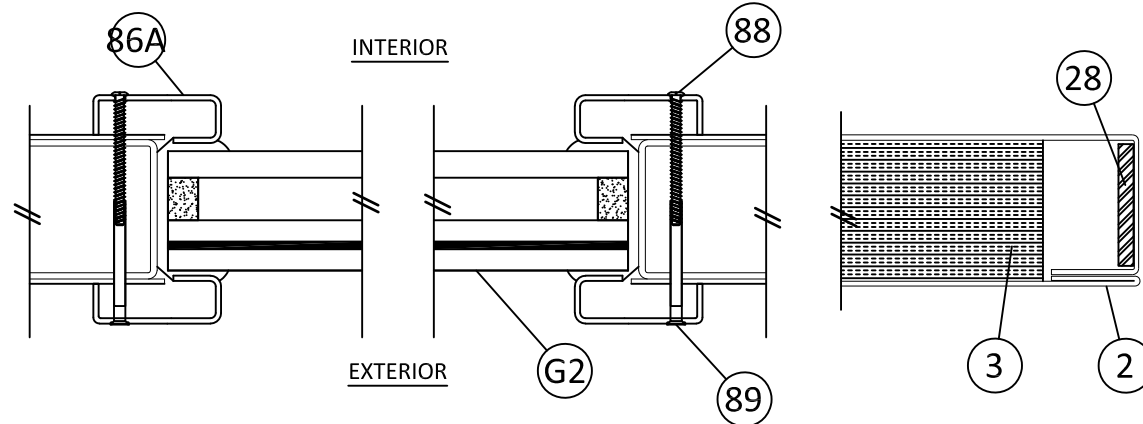


**4 DOOR TOP & BOTTOM CLOSER**

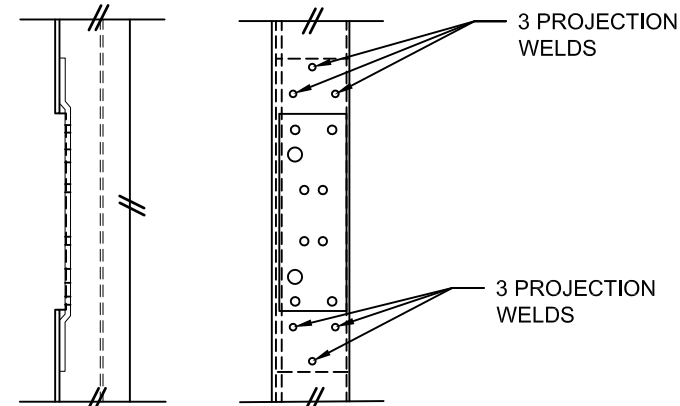


**DOOR EDGE SEAM OPTIONS**

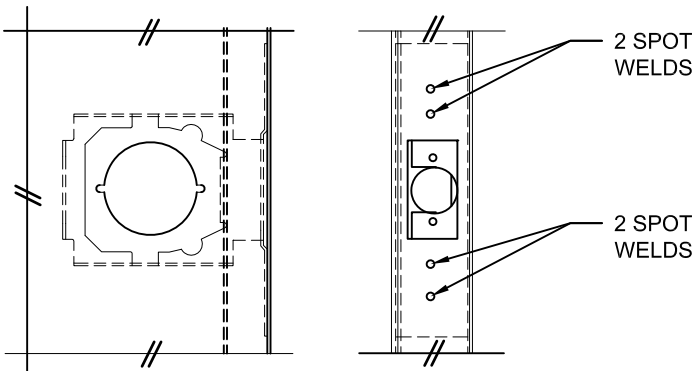
**2 HORIZONTAL CROSS SECTION**  
**3 DOOR PANEL**



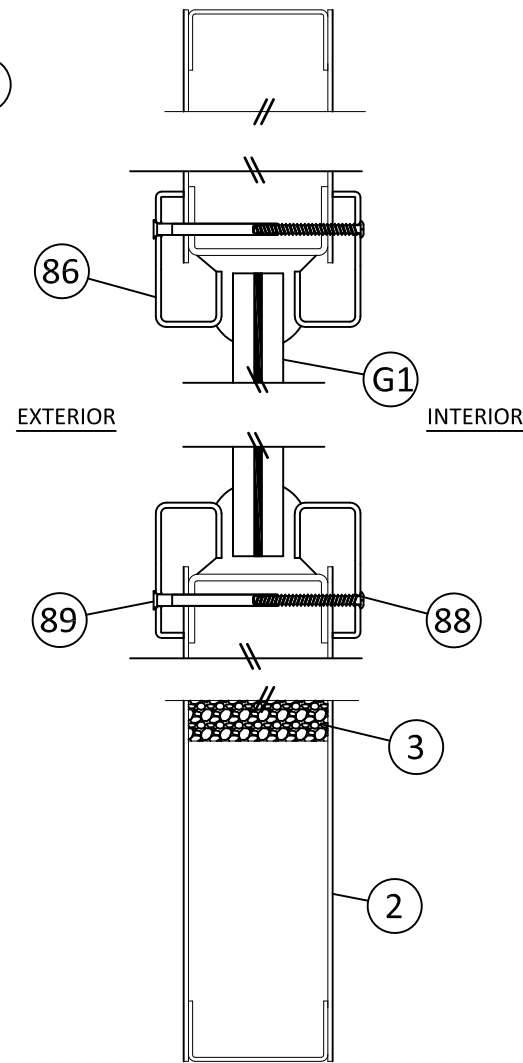
**23 DOOR HINGE REINFORCEMENT**



**5 LOCK BOX REINFORCEMENT**



**1 VERTICAL CROSS SECTION**  
**3 DOOR PANEL**



**REVISIONS**

DESCRIPTION	BY	DATE
2018 CODE REVISION	LL	5/24/22



DATE:	02.06.17
DWN BY:	LS
CHK BY:	HFN
SCALE:	NTS

DWG #: **MDI010**

SHEET: **3 OF 14**

5/24/2022 4:52 PM

s:\projects\dormakaba\tdi-22\_0310 - tdi submittal - re-evaluation - dr901 & dr902.dwg\mdf010.dwg



**TYPICAL ANCHORS @ HEAD/JAMB: (REFER TO ELEVATION FOR SPACING)**

**TYPE A** 3/8" DIA. DYNABOLT SLEEVE ANCHOR BY "ITW"  
 DIRECTLY INTO  $f_c=3000$  PSI CONCRETE, 1-1/2" MIN. EMBED  
 DIRECTLY INTO GROUT FILLED CONCRETE BLOCK, 1-1/2" MIN. EMBED  
 MIN. EDGE DIST 2-1/2"  
 MIN. SPACING 4-1/2"

**TYPE B** 3/8" POWER-BOLT BY "POWERS"  
 DIRECTLY INTO  $f_c=3000$  PSI CONCRETE, 2" MIN. EMBED  
 DIRECTLY INTO GROUT FILLED/HOLLOW CONCRETE BLOCK, 1-1/4" MIN. EMBED  
 MIN. EDGE DIST 3-3/4"  
 MIN. SPACING 4-1/2"

**TYPE C** 5/16" DIA. SMS OR MACHINE BOLTS (MIN. GRADE 5 CRS) OR ST/ST  
 STEEL :  $F_y = 36$  KSI MIN.  
 INTO METAL STRUCTURES (STEEL OR ALUMINUM 1/8" MIN. THICK.)  
 ALUMINUM : 6063-T6 MIN.  
 (STEEL IN CONTACT WITH ALUMINUM TO BE PLATED OR PAINTED)

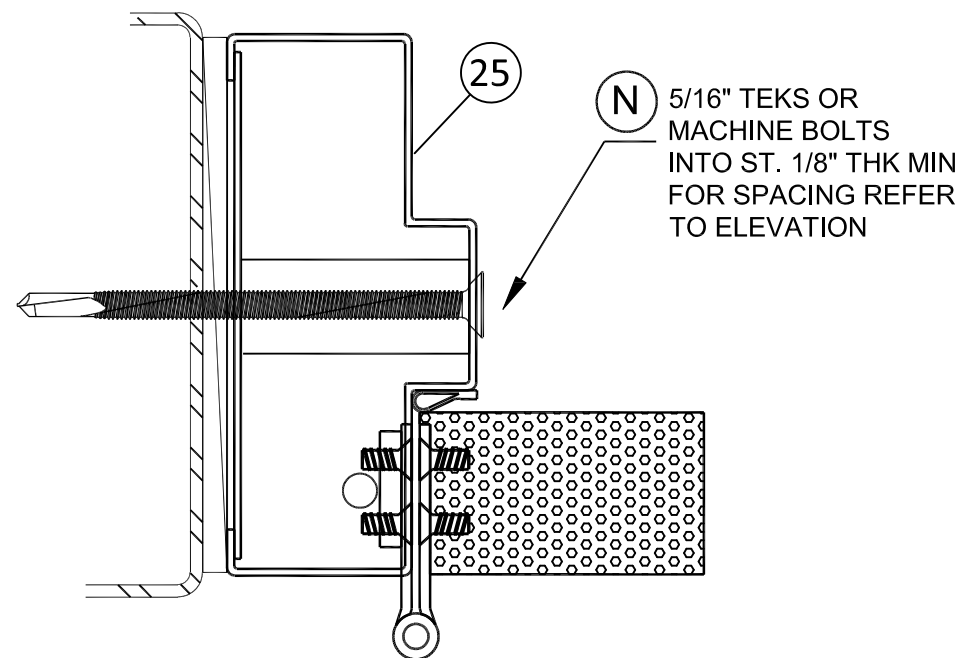
**TYPICAL ANCHORS @ THRESHOLD: (REFER TO ELEVATION FOR SPACING)**

**TYPE D** 1/4" TAPCON BY "ITW" DIRECTLY INTO  $f_c=3000$  PSI CONCRETE  
 1-1/4" MIN. EMBED  
 MIN. EDGE DIST 2-1/2"  
 MIN. SPACING 3"

**TYPE E** 5/16" DIA. ULTRACONS BY "ELCO" DIRECTLY INTO  $f_c=3000$  PSI CONCRETE  
 1-3/4" MIN. EMBED  
 MIN. EDGE DIST 2-3/16"  
 MIN. SPACING 3"

**SEALANT:**

ALL FRAME JOINTS AND CORNERS TO BE SEALED WITH SILICONE AT PERIMETER



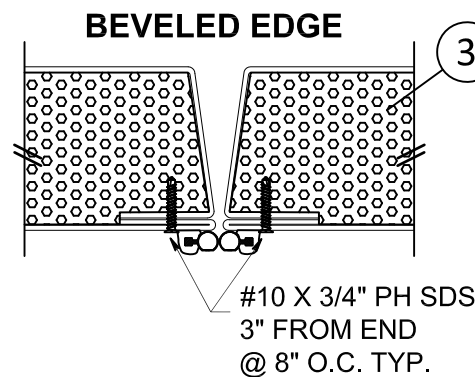
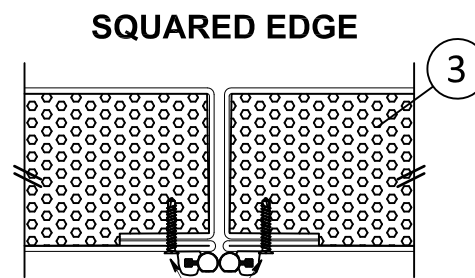
**1 ANCHOR OPTION**  
**4**

**TYPE F** 3/8" DIA. HLC SLEEVE ANCHOR BY "HILTI"  
 DIRECTLY INTO  $f_c=3000$  PSI CONCRETE  
 MIN. EMBED. 1-3/8"  
 MIN. EDGE DIST 3-1/4"  
 MIN. SPACING 4-1/2"

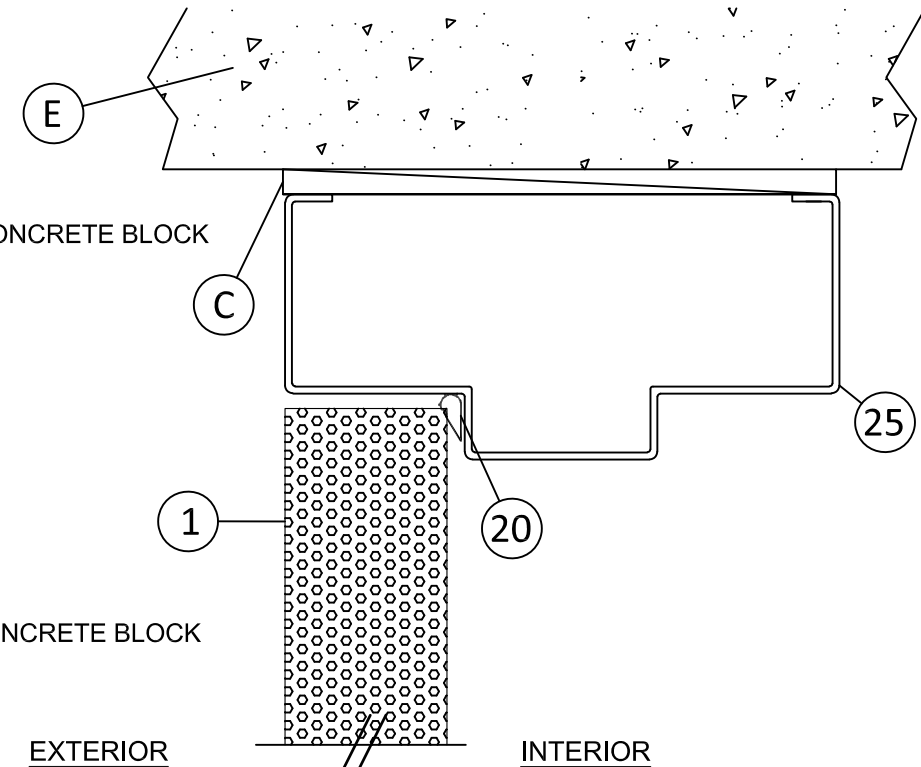
**TYPE F1** 3/8" DIA. HLC SLEEVE ANCHOR BY "HILTI"  
 DIRECTLY INTO GROUT FILLED/HOLLOW CONCRETE BLOCK  
 MIN. EMBED. 1-3/8"  
 MIN. EDGE DIST 3-1/2"  
 MIN. SPACING 4-1/2"

**TYPE G** 3/8" DIA. LOK BOLT BY "POWERS"  
 DIRECTLY INTO  $f_c=3000$  PSI CONCRETE  
 MIN. EMBED. 1-5/8"  
 MIN. EDGE DIST 3-3/4"  
 MIN. SPACING 4-1/2"

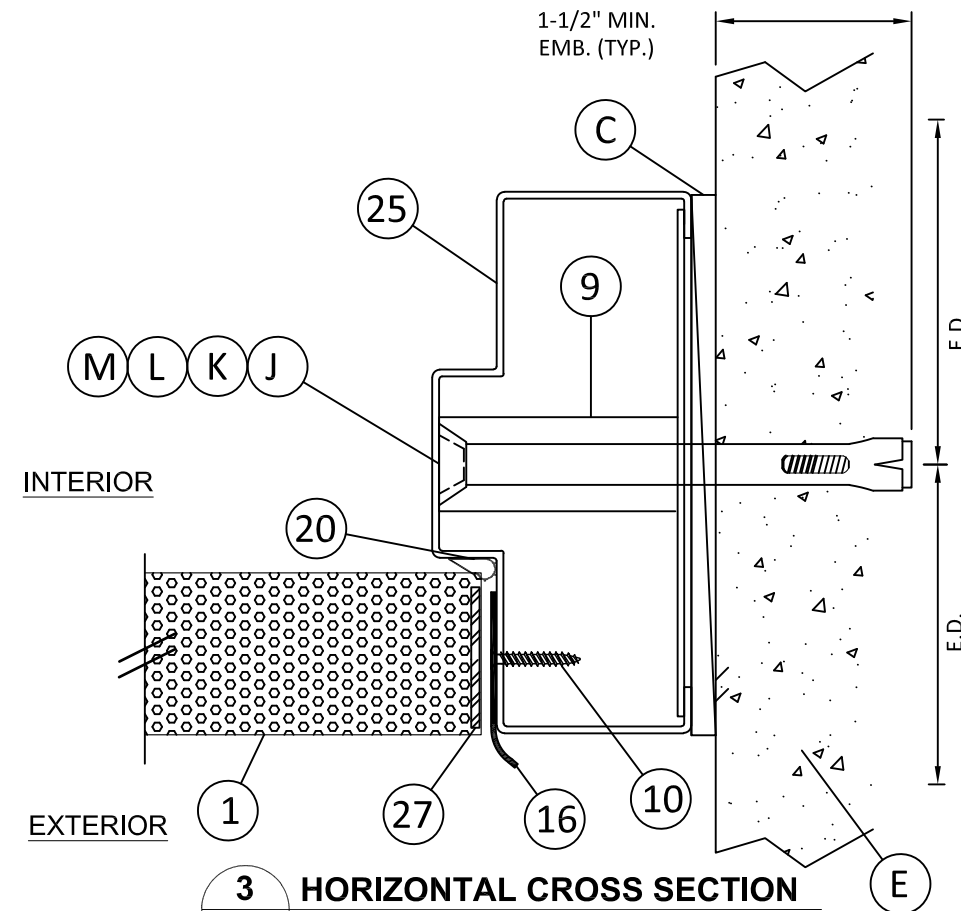
**TYPE G1** 3/8" DIA. LOK BOLT BY "POWERS"  
 DIRECTLY INTO GROUT FILLED/HOLLOW CONCRETE BLOCK  
 MIN. EMBED. 1-1/2"  
 MIN. EDGE DIST 3-3/4"  
 MIN. SPACING 4-1/2"



**2 HORIZONTAL CROSS SECTION**  
**4 DOOR EDGE OPTIONS**



**4 VERTICAL CROSS SECTION**  
**4 W/ 2" FRAME**



**3 HORIZONTAL CROSS SECTION**  
**4**



MESKER DOOR, a division of  
 Dormakaba USA, Inc.  
 3440 Standwood Blvd.  
 Huntsville, AL 35811  
 PH: (256) 851-6670

TITLE: "N" SERIES COMMERCIAL  
 OUTSWING STEEL DOOR  
 VERTICAL & HORIZONTAL  
 SECTIONS  
 PREPARED BY:  
 BD BUILDING DROPS, INC.  
 398 E. DANIA BEACH BLVD. #338  
 DANIA BEACH, FL 33004  
 PH: (954) 399-8478 FX: (954) 744-4738

**REVISIONS**

DESCRIPTION	DATE	BY
2018 CODE REVISION	5/24/22	LL

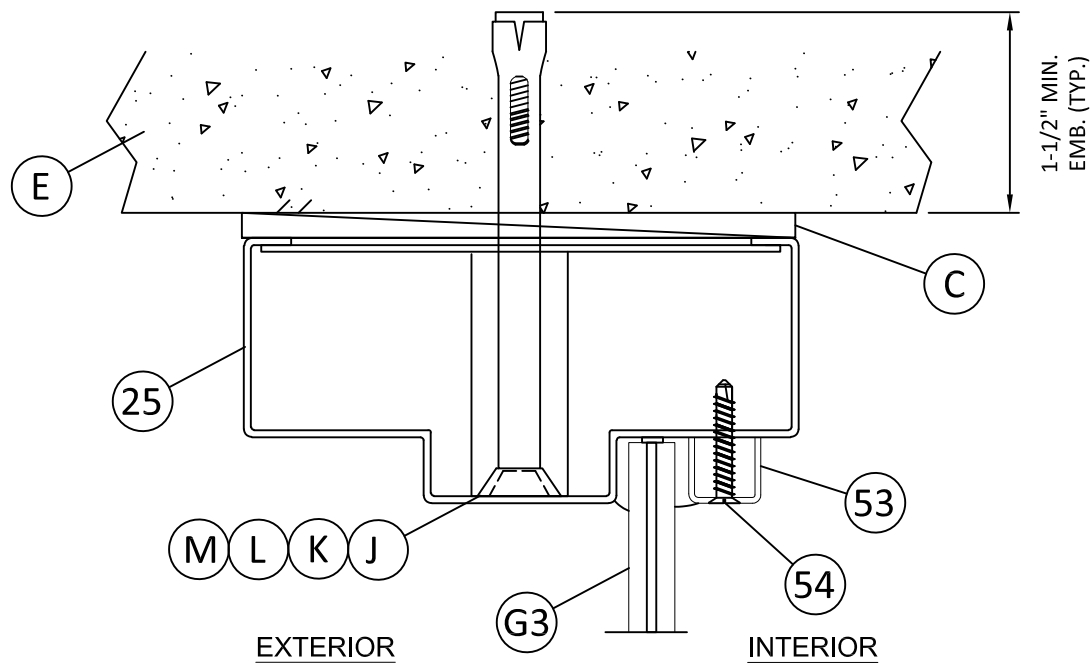


DATE: 02.06.17  
 DWN BY: LS  
 CHK BY: HFN  
 SCALE: NTS

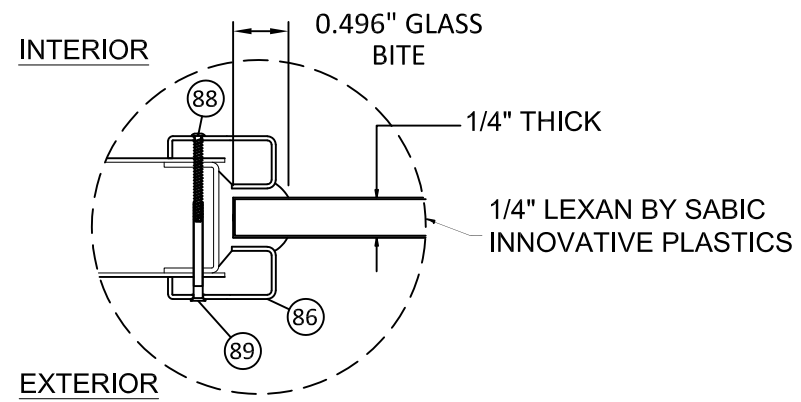
DWG #: MDI010  
 SHEET: 4 OF 14

5/24/2022 4:52 PM

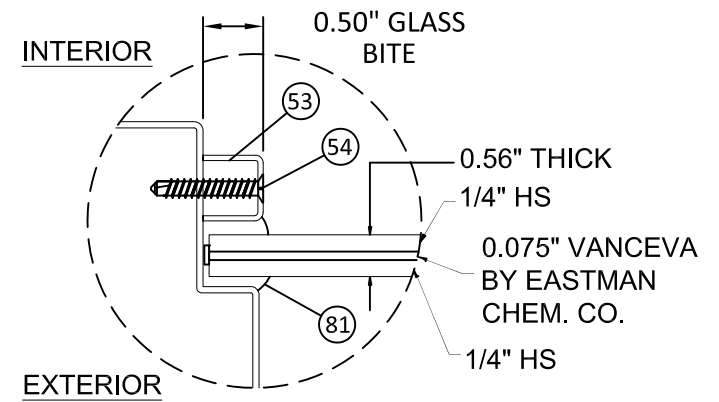
s:\projects\dormakaba\tdi-22\_0310 - tdi submittal - re-evaluation - dr901 & dr902.dwg\mdf010.dwg



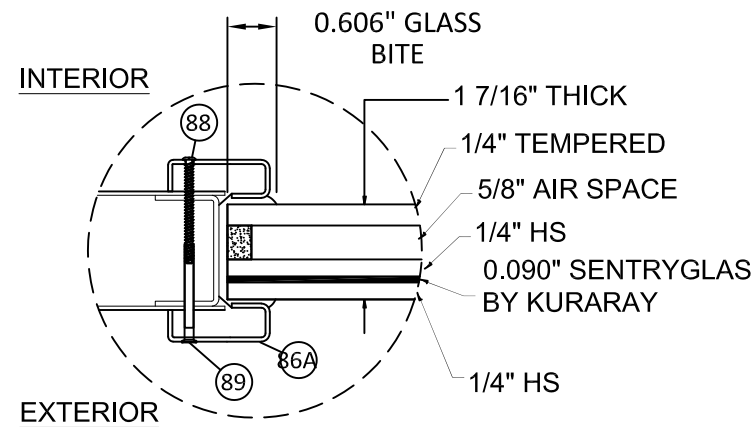
**1** VERTICAL CROSS SECTION  
**5** W/ 2" FRAME



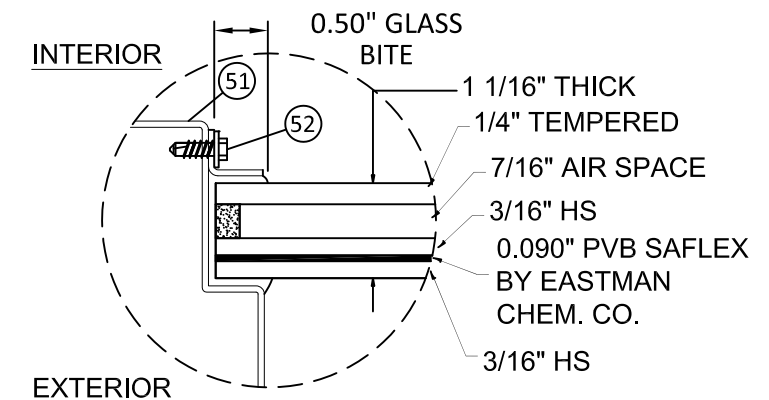
**G1** GLAZING DETAIL  
DOOR LITE KIT



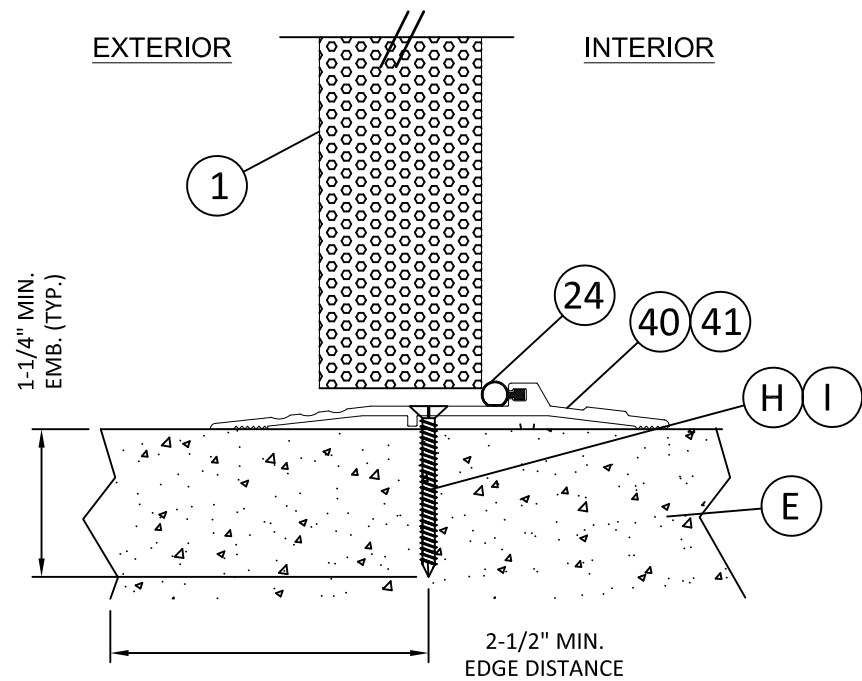
**G3** GLAZING DETAIL  
TRANSOM



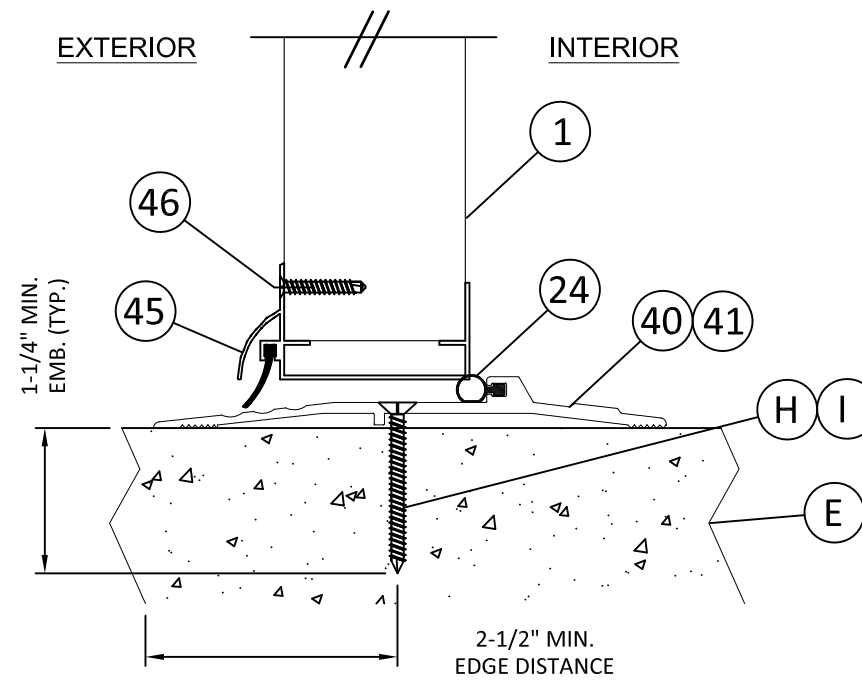
**G2** GLAZING DETAIL  
DOOR LITE KIT



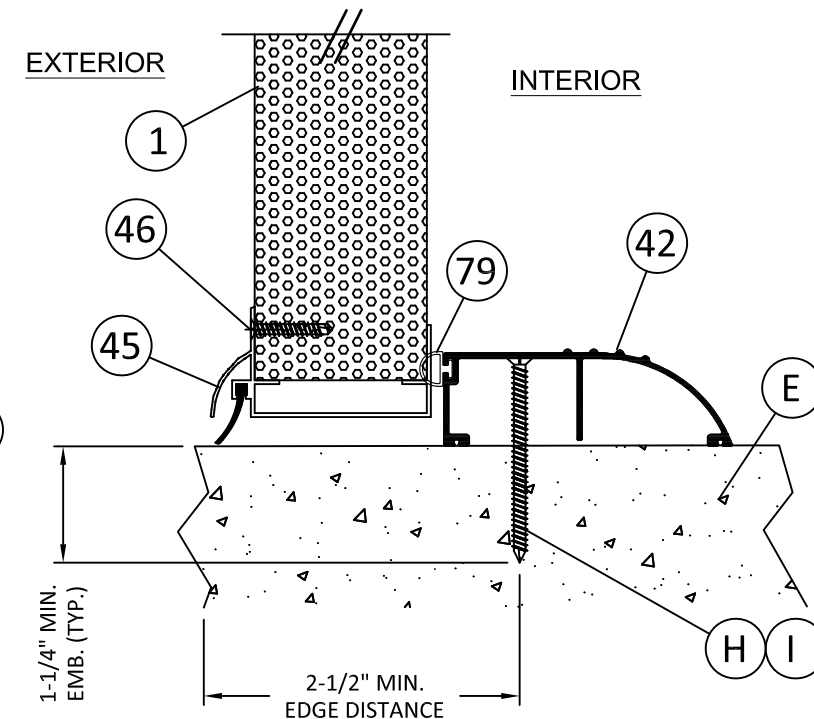
**G4** GLAZING DETAIL  
TRANSOM



**2** VERTICAL CROSS SECTION  
**5**



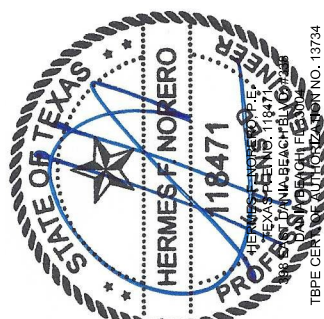
**3** VERTICAL CROSS SECTION  
**5** WATER RATED THRESHOLD



**4** VERTICAL CROSS SECTION  
**5** WATER RATED THRESHOLD

**REVISIONS**

DESCRIPTION	BY	DATE
2018 CODE REVISION	LL	5/24/22



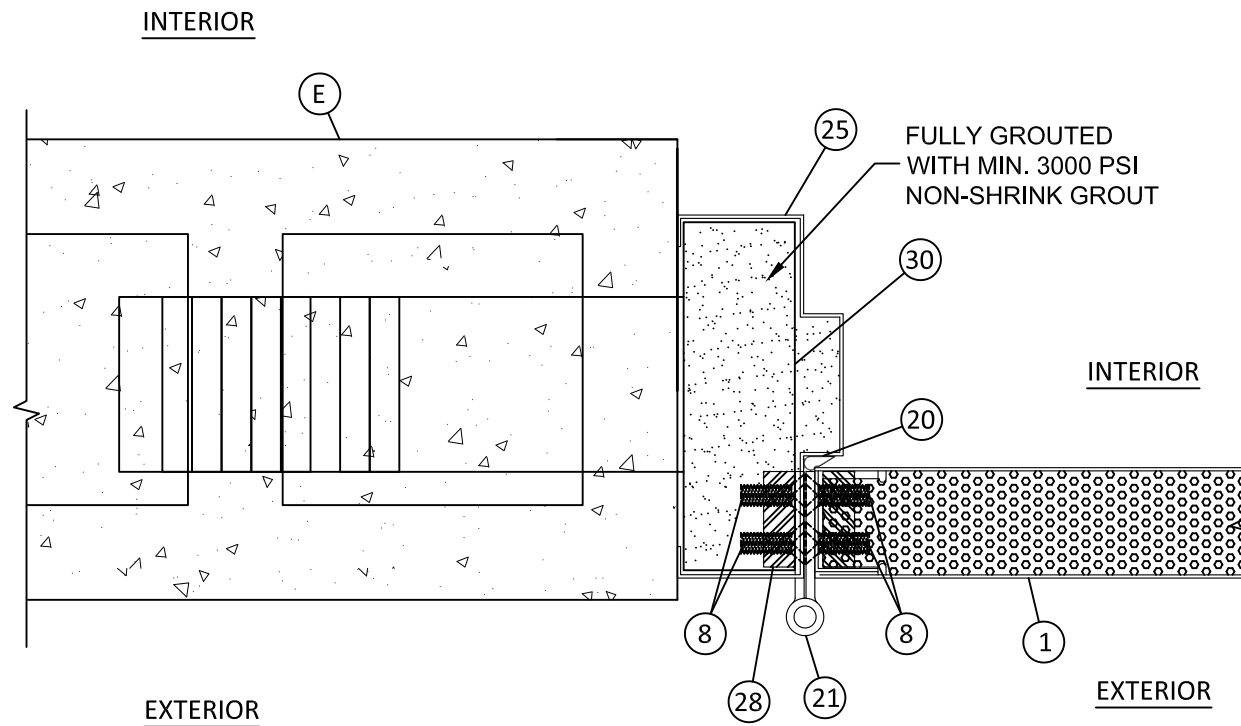
DATE:	02.06.17
DWN BY:	LS
CHK BY:	HFN
SCALE:	NTS

5/24/2022 4:52 PM

s:\projects\dormakaba\tdi-22-0310 - tdi submittal - re-evaluation - dr901 & dr902.dwg\mdi010.dwg

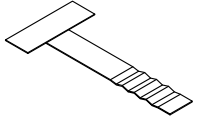


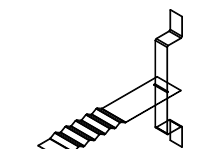


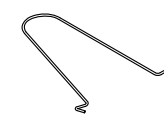


**2 HORIZONTAL CROSS SECTION**  
**7 STRAP ANCHOR (PF-2)**

**TYPICAL ANCHORS @ JAMB: (REFER TO ELEVATION FOR SPACING)**

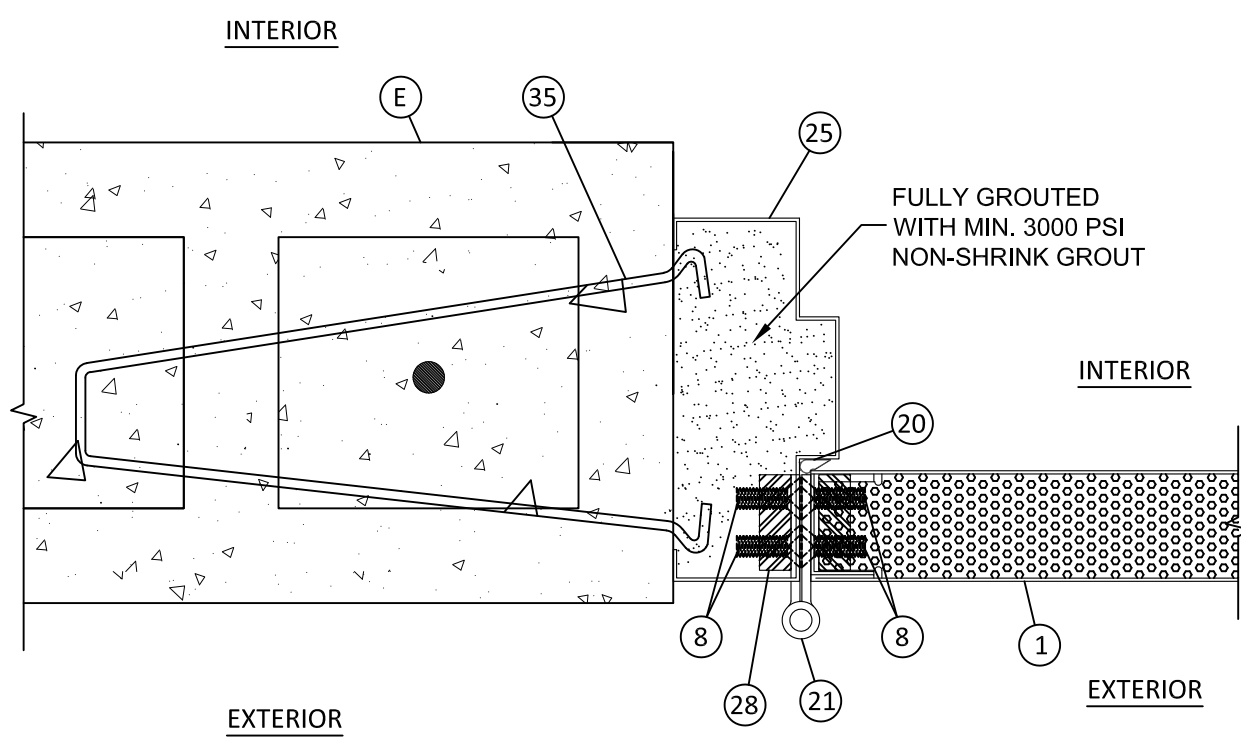
- 

**TYPE I** STRAP ANCHOR (PF-2) (Fy=60 KSI) MIN.  
DIRECTLY INTO fc'=3000 PSI GROUT FILLED CONCRETE BLOCK
- 

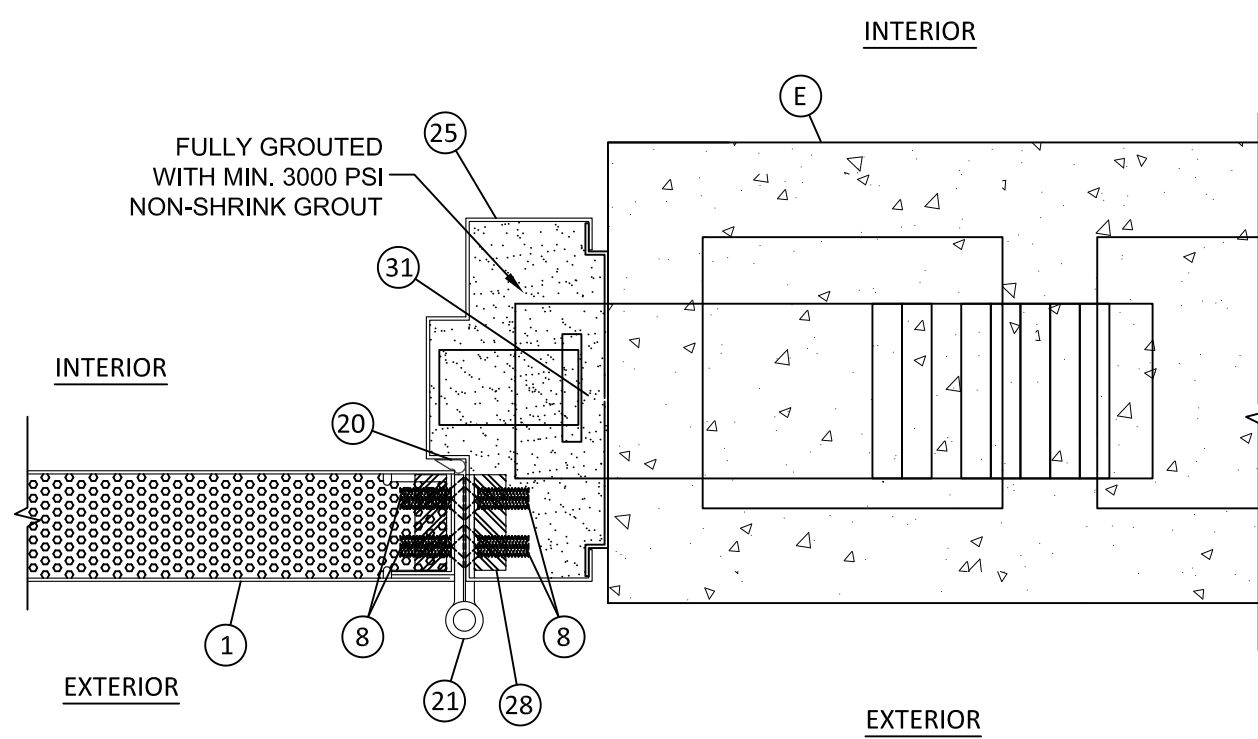
**TYPE J** STRAP ANCHOR (PS-241) (Fy=60 KSI) MIN.  
DIRECTLY INTO fc'=3000 PSI GROUT FILLED CONCRETE BLOCK
- 

**TYPE K** WIRE ANCHOR (PF-2) (Fy=60KSI) MIN.  
DIRECTLY INTO fc'=3000 PSI CONCRETE, 1-1/2" MIN. EMBED  
DIRECTLY INTO GROUT FILLED/HOLLOW CONCRETE BLOCK, 1-1/4" MIN. EMBED

NOTE:  
HEAD & JAMBS TO BE FULLY GOUTED WITH MIN. 3000 PSI NON-SHRINK GROUT



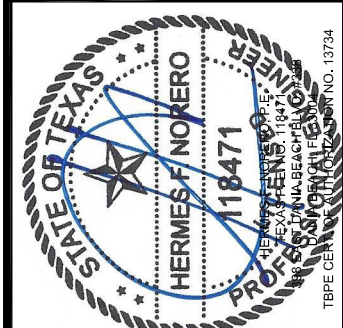
**1 HORIZONTAL CROSS SECTION**  
**7 WIRE ANCHOR**



**3 HORIZONTAL CROSS SECTION**  
**7 STRAP ANCHOR (PS-241)**

TITLE: "N" SERIES COMMERCIAL OUTSWING STEEL DOOR	HORIZONTAL SECTIONS
PREPARED BY: BD BUILDING DROPS, INC. 398 E. DANIA BEACH BLVD. #338 DANIA BEACH, FL 33004	PH: (954) 399-6478 FX: (954) 744-4738

REVISIONS	DESCRIPTION	BY	DATE
		LL	5/24/22



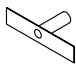

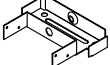
DATE: 02.06.17	DWN BY: LS	CHK BY: HFN	SCALE: NTS
-------------------	---------------	----------------	---------------

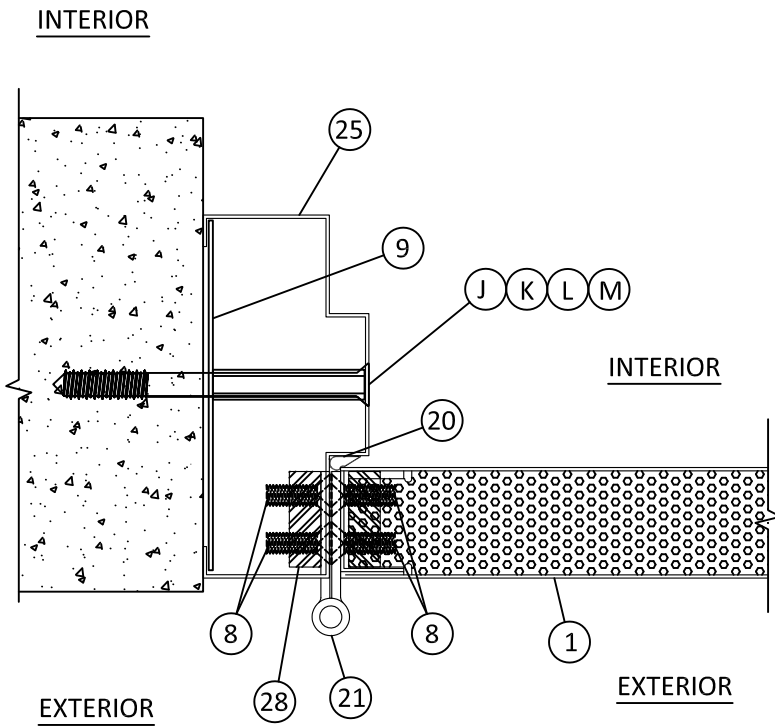
DWG #: <b>MDI010</b>
SHEET: <b>7 OF 14</b>

5/24/2022 4:52 PM

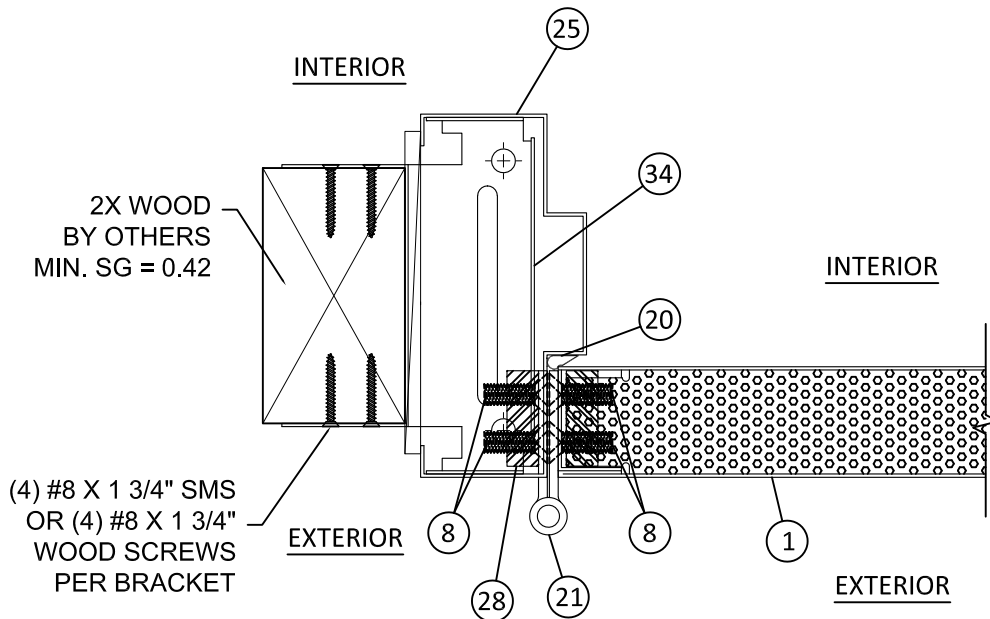
s:\projects\dormakaba\tdi-22\_0310 - tdi submittal - re-evaluation - dr901 & dr902.dwg\mdio10.dwg

**TYPICAL ANCHORS @ JAMB: (REFER TO ELEVATION FOR SPACING)**

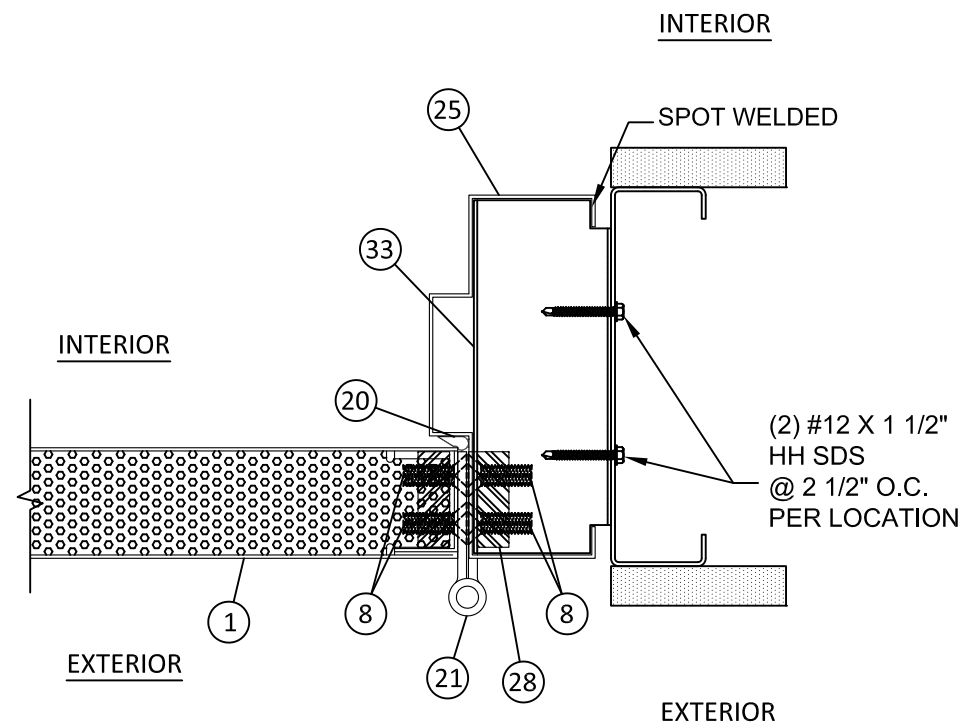
- 
**TYPE L** TUBE ANCHOR (PF-10)  
**9** SEE ELEVATIONS FOR ANCHOR BRACKET LAYOUT
- 
**TYPE M** Z ANCHOR (PF-9)  
**33** SEE ELEVATIONS FOR ANCHOR BRACKET LAYOUT
- 
**TYPE N** WOOD STUD ANCHOR (F-24)  
**34** SEE ELEVATIONS FOR ANCHOR BRACKET LAYOUT



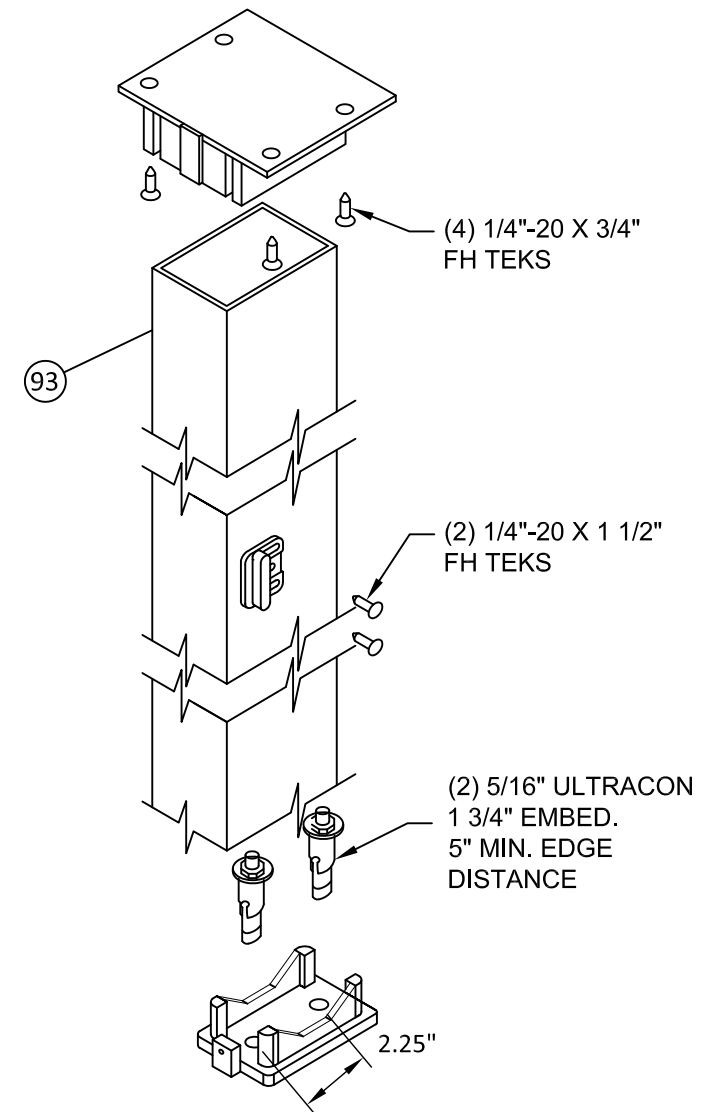
**2 HORIZONTAL CROSS SECTION**  
**8 TUBE ANCHOR**



**1 HORIZONTAL CROSS SECTION**  
**8 WOOD STUD ANCHOR**



**3 HORIZONTAL CROSS SECTION**  
**8 Z ANCHOR**



**DESIGN HARDWARE SERIES  
KRM REMOVABLE MULLION**

Fy = 36 KSI MIN.  
1/8" THK. STEEL

TITLE: "N" SERIES COMMERCIAL  
OUTSWING STEEL DOOR

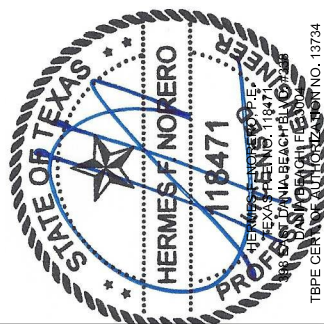
HORIZONTAL SECTIONS

PREPARED BY:

**BD BUILDING DROPS, INC.**  
398 E. DANIA BEACH BLVD. #338  
DANIA BEACH, FL 33004  
PH: (954) 399-8478 FX: (954) 744-4738

**REVISIONS**

DESCRIPTION	BY	DATE
2018 CODE REVISION	LL	5/24/22

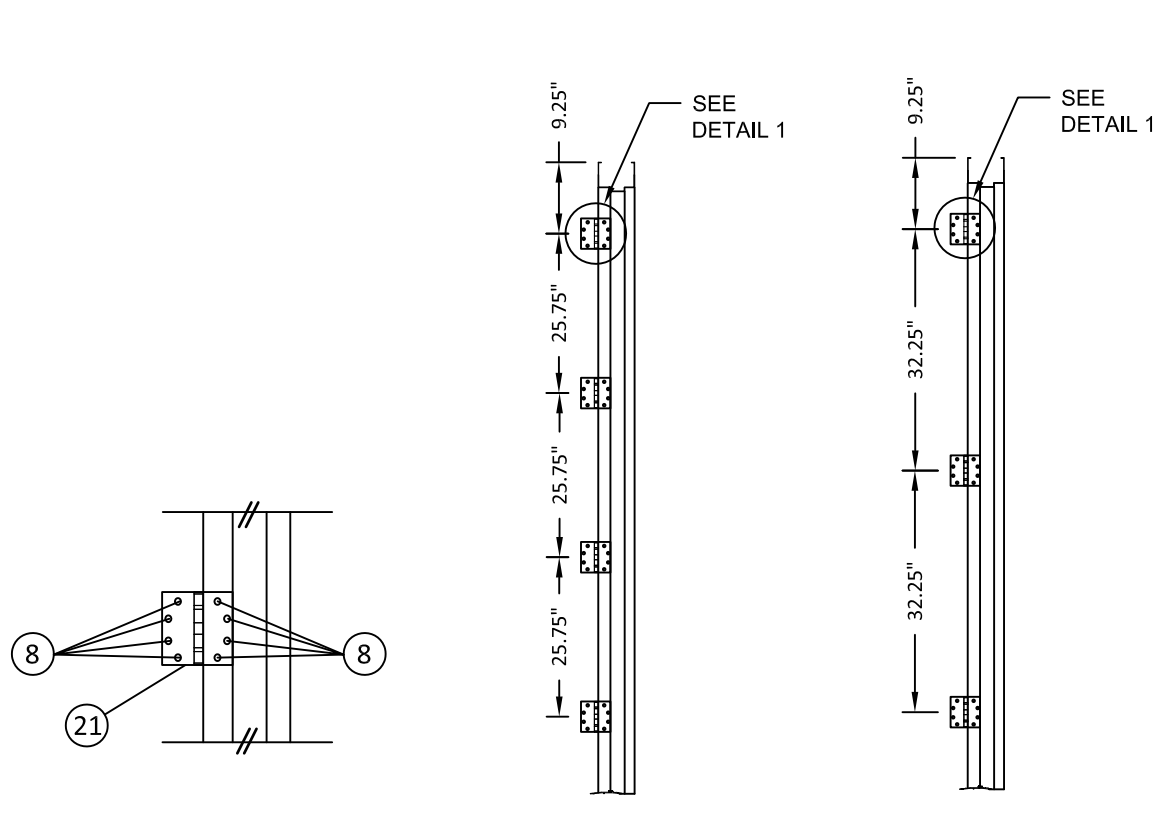


DATE:	02.06.17
DWN BY:	LS
CHK BY:	HFN
SCALE:	NTS

DWG #: **MDI010**

SHEET: **8 OF 14**

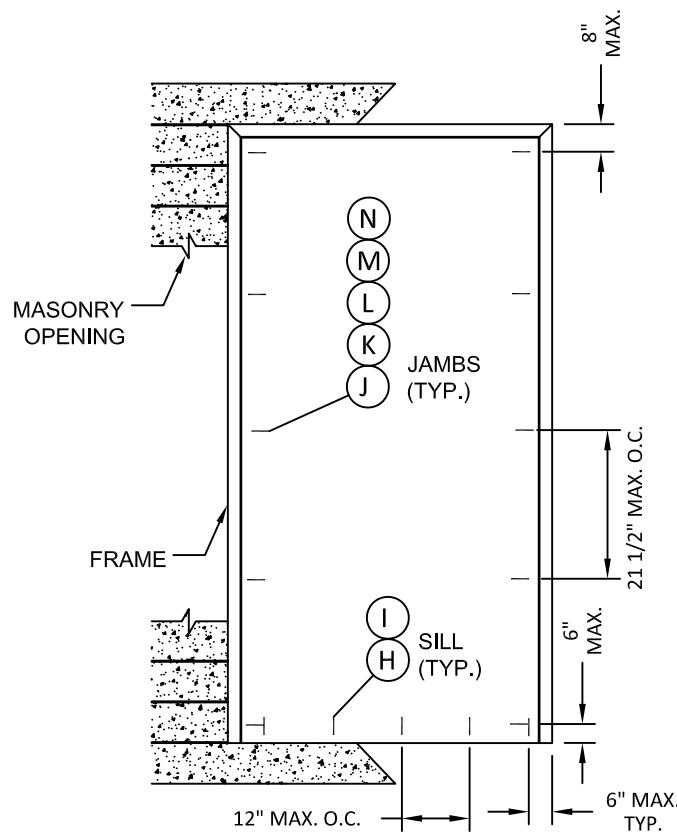




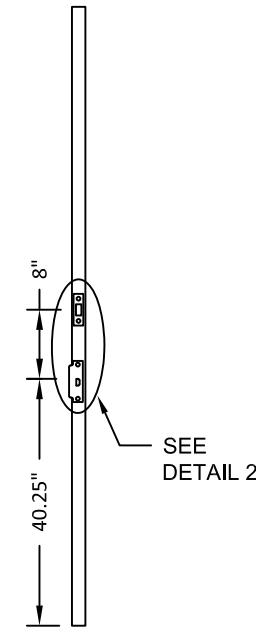
**DETAIL 1**

**HINGE JAMB**  
4 HINGE OPTION  
100" MAX. FRAME HEIGHT

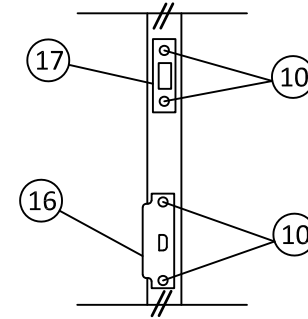
**HINGE JAMB**  
3 HINGE OPTION  
90" MAX. FRAME HEIGHT



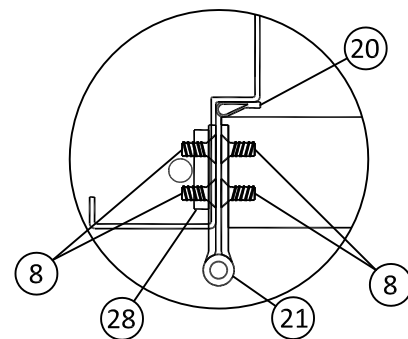
**FRAME ANCHORING**  
CONCRETE/MASONRY



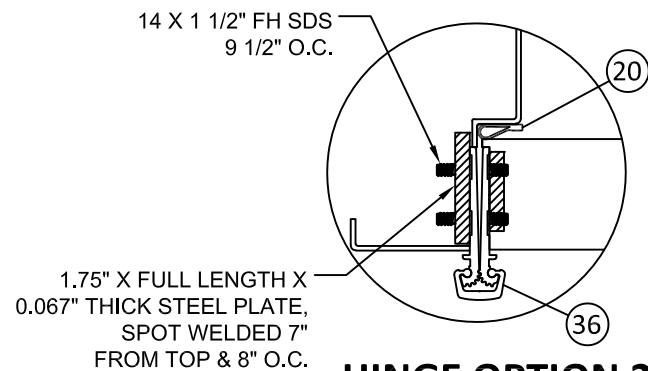
**STRIKE JAMB**



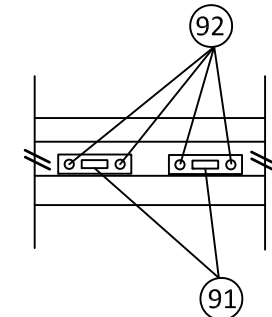
**DETAIL 2**



**HINGE OPTION 1**  
BB5 BALL BEARING HINGE



**HINGE OPTION 2**  
CONTINUOUS GEARED HINGE



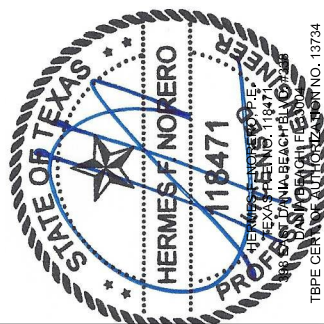
**DETAIL 3**

**ANCHOR NOTES:**

1. Substitution of equal concrete screws from a different supplier may have different edge distance and center distance requirements. Min. edge distances shown in details are for Dynalbolt Sleeve Anchors. Adjust min. clearances for Tapper concrete screws as necessary.
2. Concrete screw locations at the centers may be adjusted to maintain the minimum edge distance to mortar joints. If concrete screw locations noted as "MAX. ON CENTER" must be adjusted to maintain minimum edge distance to mortar joints, additional concrete screws may be required to ensure the maximum on center dimension is not exceeded.

**REVISIONS**

DESCRIPTION	BY	DATE
2018 CODE REVISION	LL	5/24/22



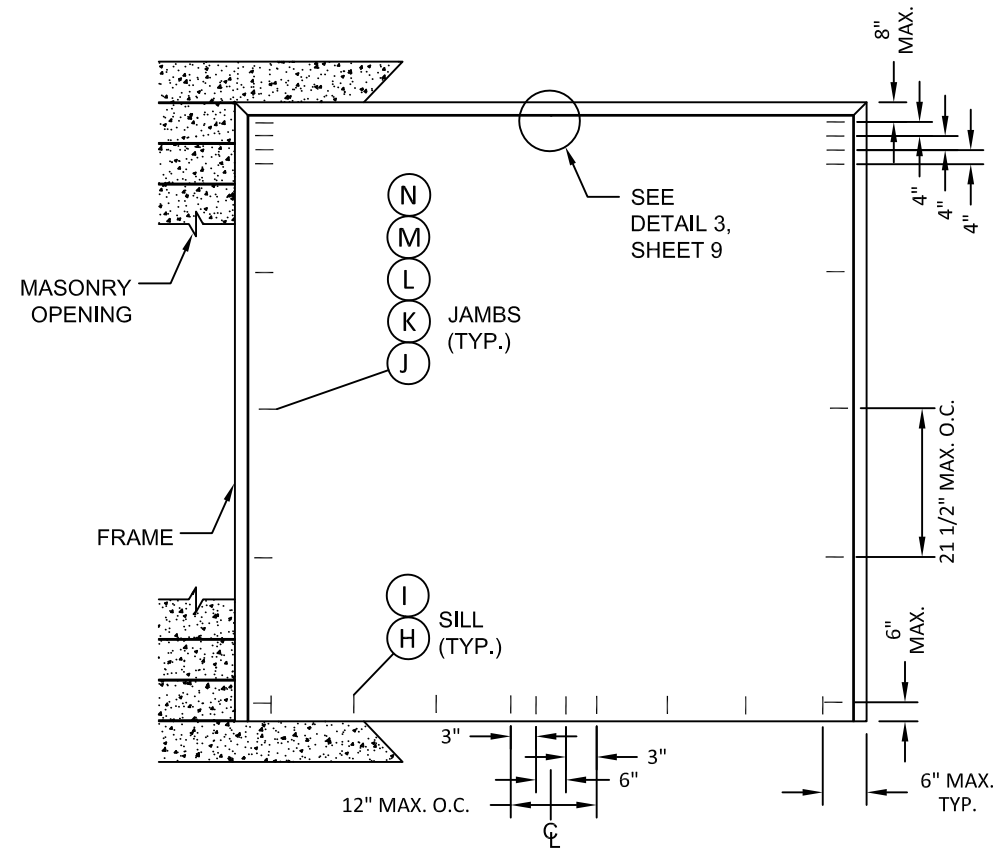
DATE:	02.06.17
DWN BY:	LS
CHK BY:	HFN
SCALE:	NTS

DWG #:	<b>MDI010</b>
SHEET:	<b>9 OF 14</b>

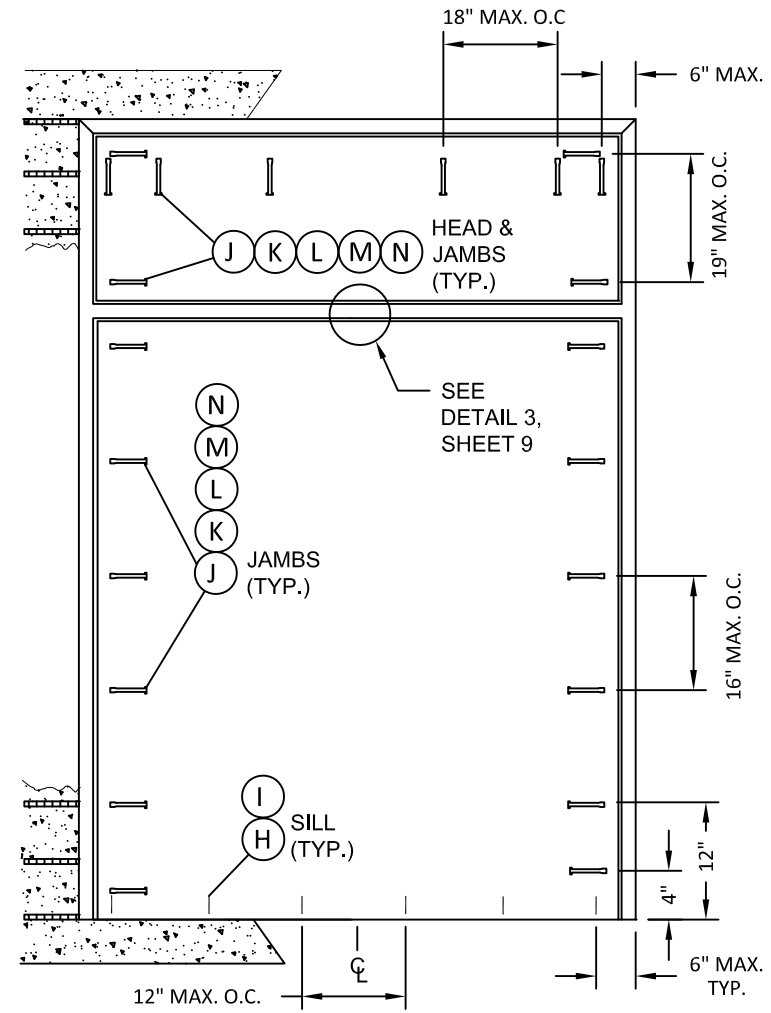
TITLE: "N" SERIES COMMERCIAL  
OUTSWING STEEL DOOR

ANCHORING DETAILS

PREPARED BY:  
**BD BUILDING DROPS, INC.**  
398 E. DANIA BEACH BLVD. #338  
DANIA BEACH, FL 33004  
PH: (954) 399-8478 FX: (954) 744-4738



**FRAME ANCHORING**  
CONCRETE/MASONRY



**FRAME ANCHORING**  
CONCRETE/MASONRY

**NOTE:**  
1. SEE SHEET 9 FOR HINGE AND JAMB DETAILS

**REVISIONS**

DESCRIPTION	BY	DATE
2018 CODE REVISION	LL	5/24/22



DATE: 02.06.17  
DWN BY: LS  
CHK BY: HFN  
SCALE: NTS

DWG #: **MDI010**

SHEET: **10 OF 14**

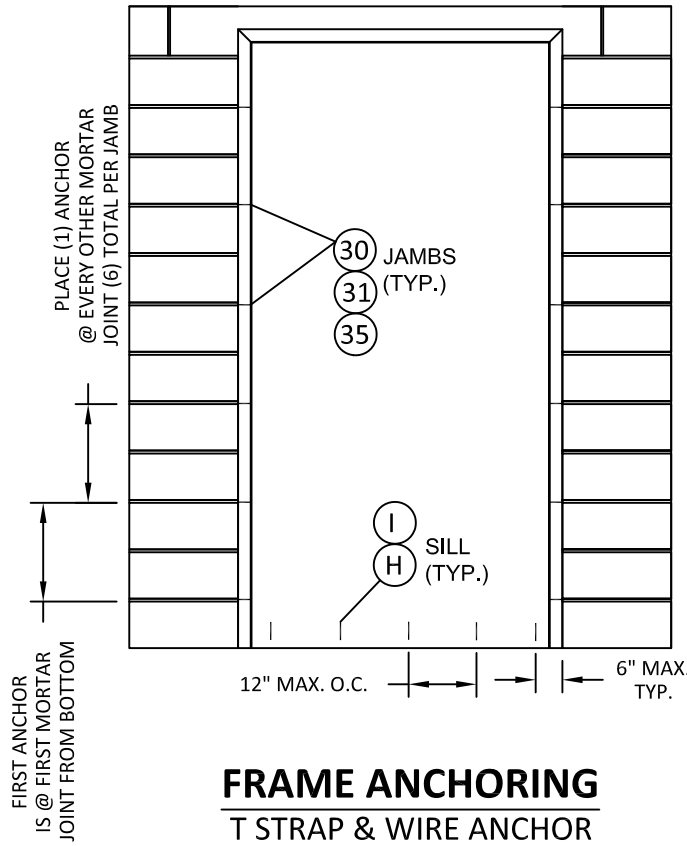


MESKER DOOR, a division of  
Dormakaba USA, Inc.  
3440 Standwood Blvd.  
Huntsville, AL 35811  
PH: (256) 851-6670

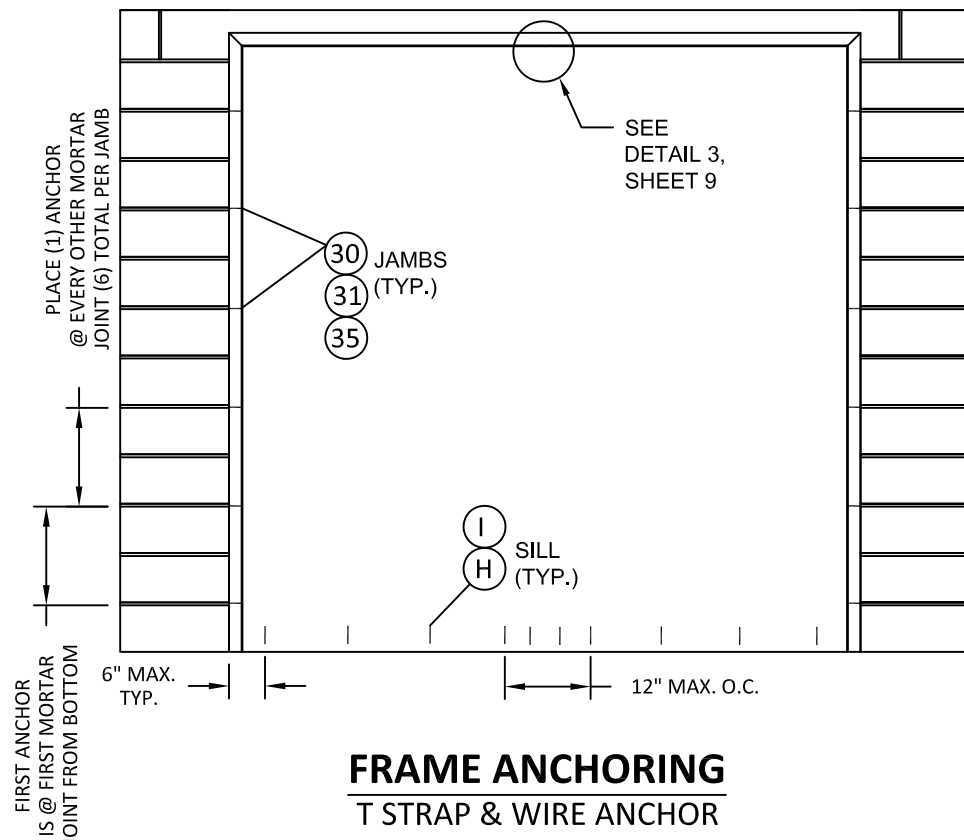
TITLE: "N" SERIES COMMERCIAL  
OUTSWINGING STEEL DOOR

ANCHORING DETAILS

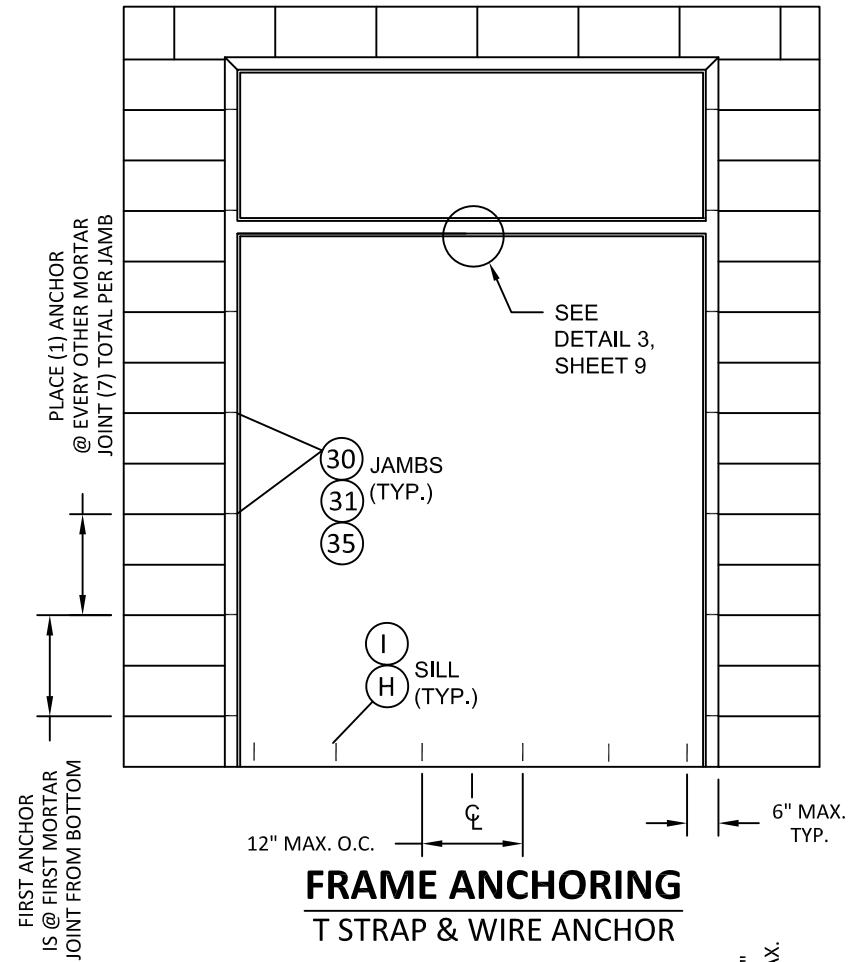
PREPARED BY:  
BD BUILDING DROPS, INC.  
398 E. DANIA BEACH BLVD. #338  
DANIA BEACH, FL 33004  
PH: (954) 399-8478 FX: (954) 744-4738



**FRAME ANCHORING**  
T STRAP & WIRE ANCHOR

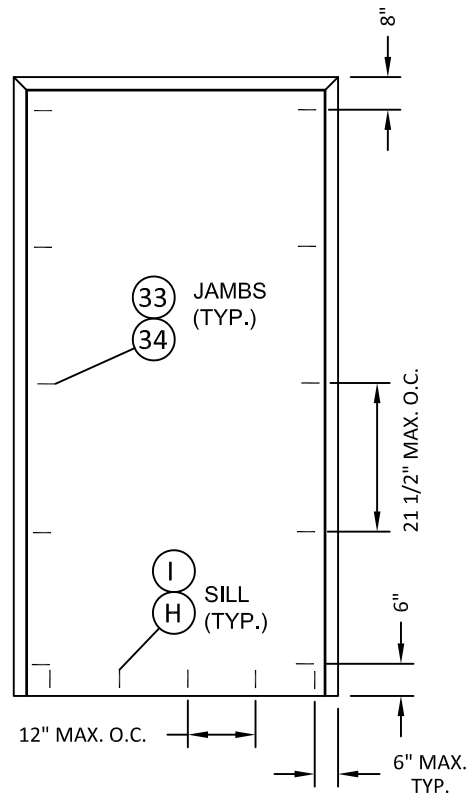


**FRAME ANCHORING**  
T STRAP & WIRE ANCHOR

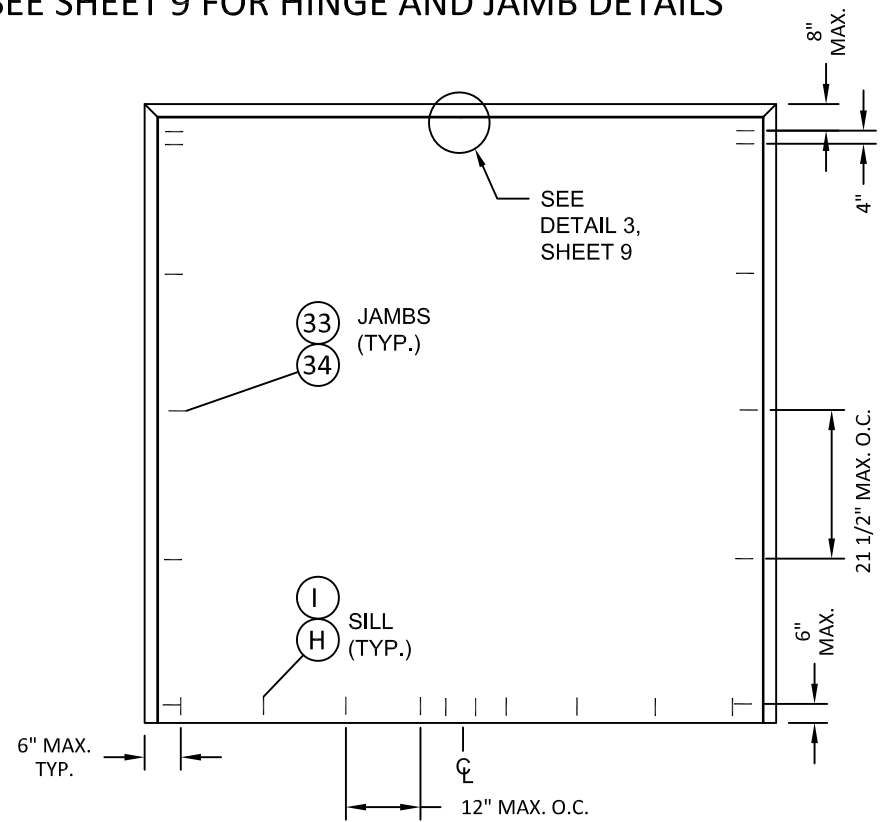


**FRAME ANCHORING**  
T STRAP & WIRE ANCHOR

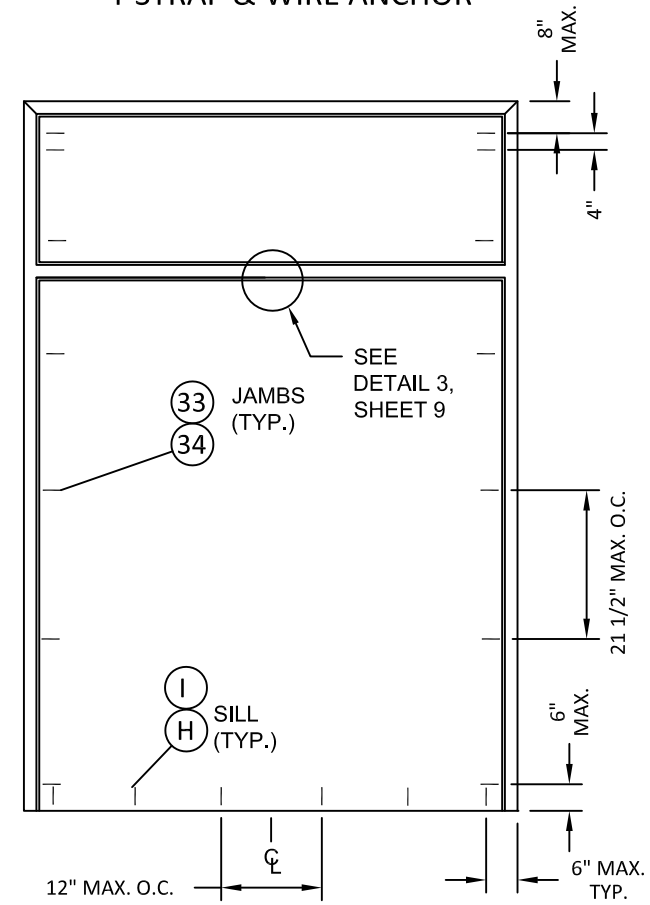
NOTE:  
1. SEE SHEET 9 FOR HINGE AND JAMB DETAILS



**FRAME ANCHORING**  
Z ANCHOR & WOOD STUD ANCHOR



**FRAME ANCHORING**  
Z ANCHOR & WOOD STUD ANCHOR



**FRAME ANCHORING**  
Z ANCHOR & WOOD STUD ANCHOR

**REVISIONS**

DESCRIPTION	BY	DATE
2018 CODE REVISION	LL	5/24/22



DATE:	02.06.17
DWN BY:	LS
CHK BY:	HFN
SCALE:	NTS

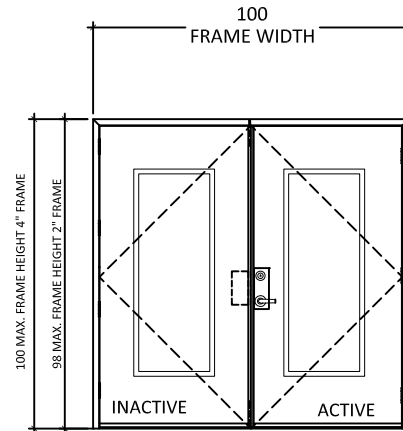
DWG #: **MDI010**  
SHEET: **11 OF 14**



# HARDWARE/LOCK OPTIONS

ACTIVE DOOR HARDWARE CAN APPLY TO SINGLE DOORS  
(EXTERIOR ELEVATIONS - OUTSWING DOORS)

## OPTION 1



### OPTION 1.A (+/- 65 PSF, 100" X 100")

#### ACTIVE LEAF:

DESIGN HARDWARE M SERIES EXTRA HEAVY DUTY (GRADE 1) MORTISE LOCK WITH (2) 8-32 X 1 1/8" FH MS, LATCH = SS 3/4" THROW, DEADBOLT = SS 1" THROW

#### INACTIVE LEAF:

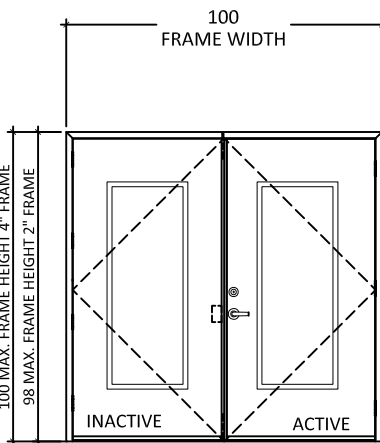
DESIGN HARDWARE UL-MFB-M FLUSH BOLTS WITH (4) 8 X 3/4" FH MULTI THREAD SCREWS, TOP AND BOTTOM, FLUSH MOUNT METALLIC FLUSH BOLT GUIDE WITH (2) #8 X 3/4" FH THREAD SCREWS, FLUSH MOUNT METALLIC STRIKE PLATE, WITH (2) 1/4" X 3/8" FH MS

### OPTION 1.B (+/- 60 PSF, 40" X 88")

#### ACTIVE LEAF:

ONITY 86E SERIES EXTRA HEAVY DUTY (GRADE 1) MORTISE LOCK WITH (2) #12-24 X 1" COMBINATION MS, LATCH = SS 3/4" THROW, DEADBOLT = SS 1" THROW

## OPTION 2



### OPTION 2.A (+/- 65 PSF, 100" X 100")

#### ACTIVE LEAF:

DESIGN HARDWARE X OR Z SERIES (GRADE 1) CYLINDRICAL LOCK, WITH (2) #8 X 3/4" FH THREAD SCREWS AND (2) #10 X 1 9/16" FH MS. LATCH = SS 1/2" THROW

#### INACTIVE LEAF:

DESIGN HARDWARE UL-MFB-M FLUSH BOLTS, FLUSH MOUNT METALLIC FLUSH BOLT GUIDE, SURFACE MOUNT METALLIC STRIKE PLATE, WITH (4) 8 X 3/4" FH MULTI THREAD SCREWS, TOP AND BOTTOM

### OPTION 2.B (+/- 65 PSF, 52" X 100")

#### ACTIVE LEAF:

DESIGN HARDWARE X OR Z SERIES (GRADE 1) CYLINDRICAL LOCK, WITH (2) #8 X 3/4" FH THREAD SCREWS AND (2) #10 X 1 9/16" FH MS. LATCH = SS 1/2" THROW, WITH DEADBOLT D-1S OR D2-S.

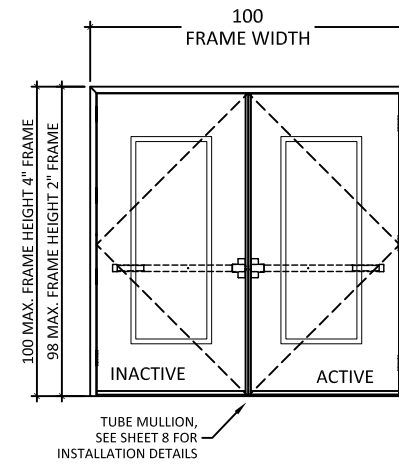
### OPTION 2.C (+/- 55 PSF, 40" X 88")

#### ACTIVE LEAF:

SCHLAGE 161 (GRADE 1) CYLINDRICAL LOCK, WITH (2) #8 X 3/4" FH THREAD SCREWS AND (2) #10 X 1 9/16" FH MS. LATCH = SS 1/2" THROW

#### NOTE:

CONTINUOUS HINGE OR BB5 HINGE ACCEPTABLE ON ALL OPTIONS. FOR PANEL HINGE OPTIONS, SEE SHEET 9.



## OPTION 3

### OPTION 3.A (+/- 65 PSF, 100" X 100")

#### ACTIVE LEAF/INACTIVE LEAF:

DESIGN HARDWARE 2000 SERIES STANDARD DUTY SURFACE MOUNT METALLIC RIM PANIC DEVICE WITH (6) 14 X 1 1/2" FH SDS, RIM PANIC LATCH AT LOCKS = 5/8" THROW. ROLLER STRIKE WITH 5/8" PROJECTION & 1/8" SHIM.

WITH 2" X 3" X 1/8" THICK STEEL VERTICAL TUBE MULLION, FY = 36 KSI MIN.

### OPTION 3.B (+/- 65 PSF, 100" X 100")

#### ACTIVE LEAF/INACTIVE LEAF:

DESIGN HARDWARE 1000 SERIES HEAVY DUTY SURFACE MOUNT METALLIC PANIC DEVICE WITH (5) 14 X 1 1/2" FH SDS, ROLLER STRIKE WITH 5/8" PROJECTION & 1/8" SHIM.

WITH 2" X 3" X 1/8" THICK STEEL VERTICAL TUBE MULLION, FY = 36 KSI MIN.

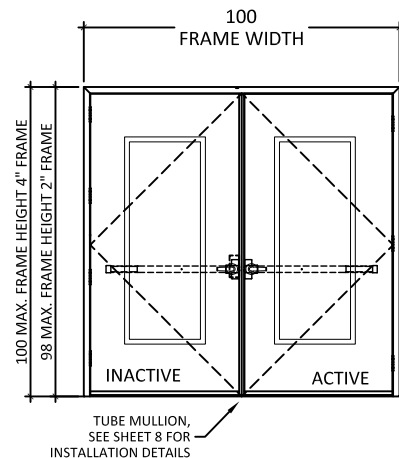
### OPTION 3.C (+/- 55 PSF, 52" X 88")

#### ACTIVE LEAF:

VON DUPRIN 99 SERIES STANDARD DUTY SURFACE MOUNT METALLIC RIM PANIC DEVICE WITH (6) 14 X 1 1/2" FH SDS, RIM PANIC LATCH AT LOCKS = 5/8" THROW.

ROLLER STRIKE WITH 5/8" PROJECTION & 1/8" SHIM.

WITH 2" X 3" X 1/8" THICK STEEL VERTICAL TUBE MULLION, FY = 36 KSI MIN.



## OPTION 4

### OPTION 4.A (+/- 65 PSF, 100" X 100")

#### ACTIVE LEAF/INACTIVE LEAF:

DESIGN HARDWARE 2000 SERIES STANDARD DUTY SURFACE MOUNT METALLIC PANIC DEVICE WITH DESIGN KIL TRIM, WITH (4) 14 X 1 1/2" FH SDS, HANDLE WITH (2) #8-36 X 1 1/2" PH MS.

WITH 2" X 3" X 1/8" THICK STEEL VERTICAL TUBE MULLION, FY = 36 KSI MIN.

### OPTION 4.B (+/- 65 PSF, 100" X 100")

#### ACTIVE LEAF/INACTIVE LEAF:

DESIGN HARDWARE 1000 SERIES HEAVY DUTY SURFACE MOUNT METALLIC PANIC DEVICE WITH DESIGN KIL TRIM WITH (5) 14 X 1 1/2" FH SDS, HANDLE WITH (2) #8-36 X 1 1/2" PH MS.

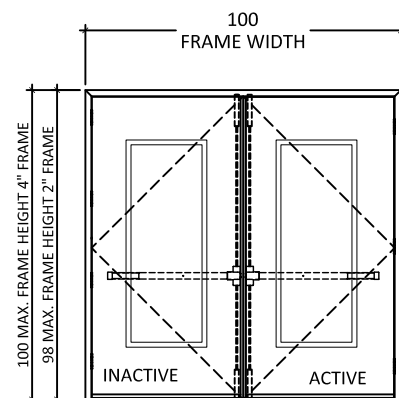
WITH 2" X 3" X 1/8" THICK STEEL VERTICAL TUBE MULLION, FY = 36 KSI MIN.

### OPTION 4.C (+/- 55 PSF, 52" X 88")

#### ACTIVE LEAF

VON DUPRIN 99 SERIES STANDARD DUTY SURFACE MOUNT METALLIC RIM PANIC DEVICE WITH DESIGN KIL TRIM, WITH (4) 14 X 1 1/2" FH SDS, HANDLE WITH (2) #8-36 X 1 1/2" PH MS. WITH

2" X 3" X 1/8" THICK STEEL VERTICAL TUBE MULLION, FY = 36 KSI MIN.



## OPTION 5

### OPTION 5.A (+/- 65 PSF, 100" X 100")

#### ACTIVE LEAF/INACTIVE LEAF:

DESIGN HARDWARE 2000 SERIES STANDARD DUTY (GRADE 1) SVR SURFACE MOUNT METALLIC 2 POINT LOCK SYSTEM WITH PANIC DEVICE AND VERTICAL RODS ON EXTERIOR WITH (6) 14"-20 X 3/4 PH SMS AND (6) 14-20 X 3/4" FH MS. TOP STRIKE WITH (3) 1/4"-20P X 3/4" FH MS.

### OPTION 5.B (+/- 65 PSF, 100" X 100")

#### ACTIVE LEAF/INACTIVE LEAF:

DESIGN HARDWARE 1000 SERIES HEAVY DUTY (GRADE 1) SVR SURFACE MOUNT METALLIC PANIC DEVICE WITH (2) 14-20" PH MS AND (4) 14 X 1/4" FH SMS, VERTICAL ROD AT TOP AND BOTTOM

(2) 14 X 1 1/2" FH SDS. TOP STRIKE WITH (3) 1/4"-20P X 3/4" FH MS.



MESKER DOOR, a division of  
Dormakaba USA, Inc.  
3440 Standwood Blvd.  
Huntsville, AL 35811  
PH: (256) 851-6670

TITLE: "N" SERIES COMMERCIAL  
OUTSWING STEEL DOOR

HARDWARE OPTIONS

PREPARED BY:

BD BUILDING DROPS, INC.  
398 E. DANIA BEACH BLVD. #338  
DANIA BEACH, FL 33004  
PH: (954) 399-6478 FX: (954) 744-4738

## REVISIONS

DESCRIPTION	BY	DATE
2018 CODE REVISION	LL	5/24/22



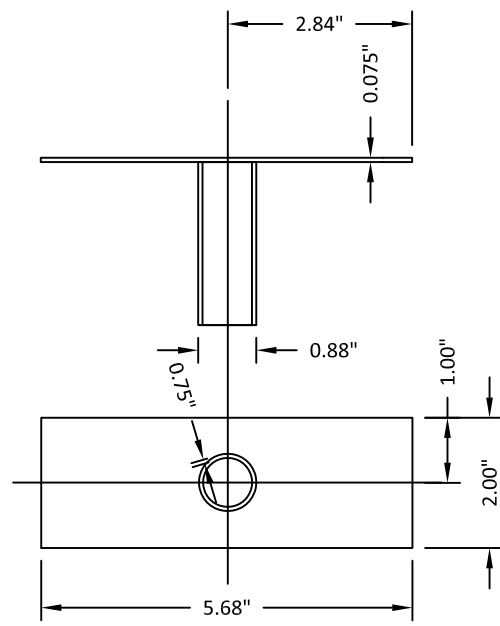
DATE:	DWN BY:	CHK BY:	SCALE:
02.06.17	LS	HFN	NTS

DWG #: MDI010

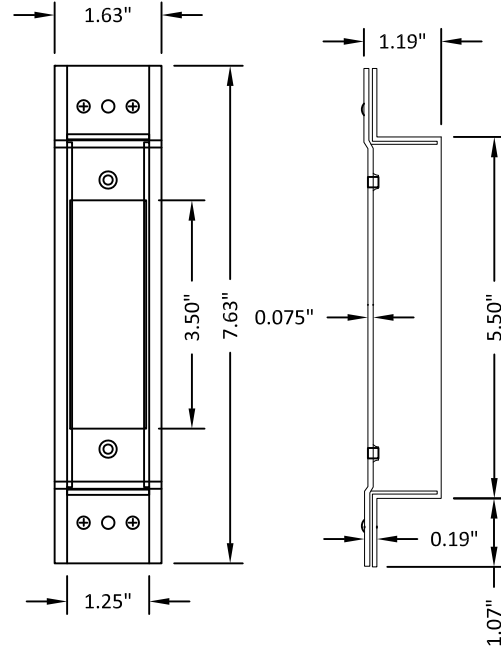
SHEET: 12 OF 14

5/24/2022 4:52 PM

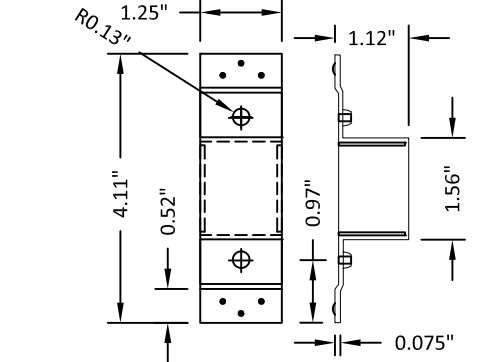
s:\projects\dormakaba\tdi-22\_0310 - tdi submittal - re-evaluation - dr901 & dr902.dwg\mdio10.dwg



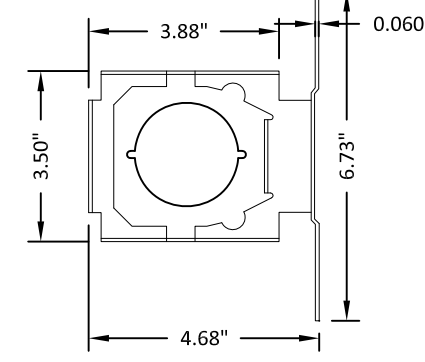
9 TUBE ANCHOR



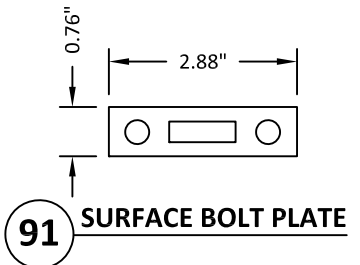
27 LATCH STRIKE REINFORCEMENT



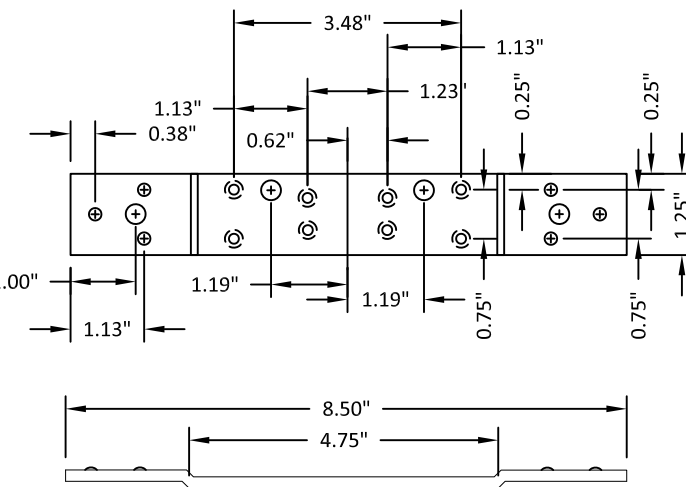
19 DEADBOLT STRIKE REINFORCEMENT



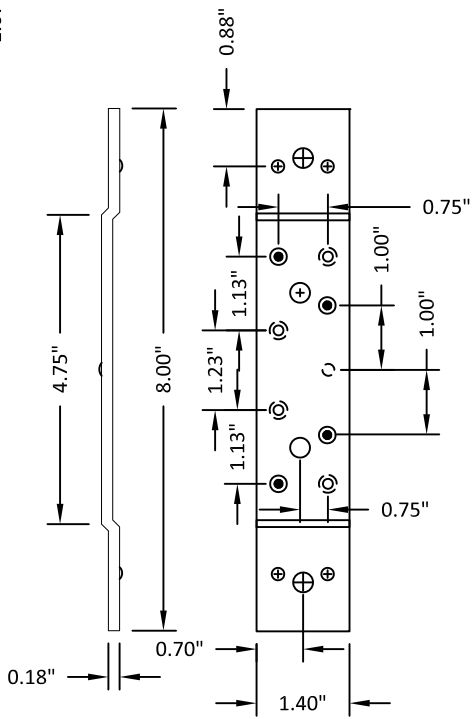
5 LOCK BOX REINFORCEMENT



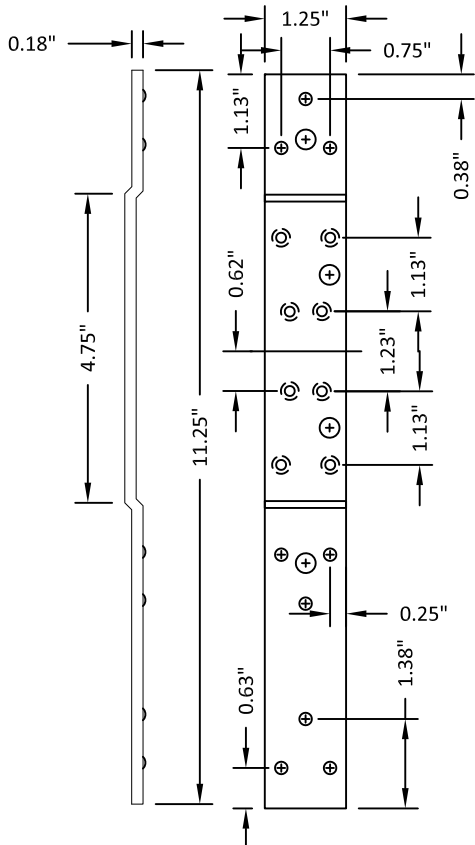
91 SURFACE BOLT PLATE



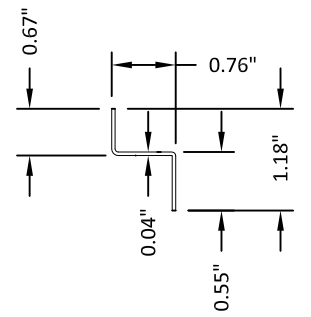
28 FRAME HINGE REINFORCEMENT



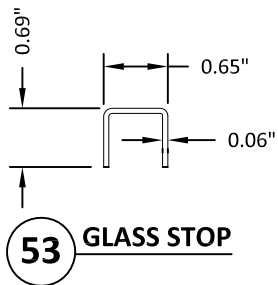
23 STANDARD (SHORT) DOOR HINGE  
Reinforcement middle and bottom hinge



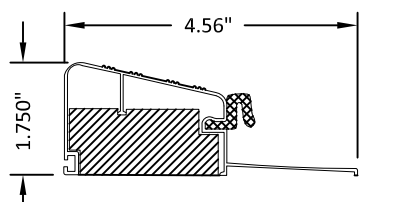
22 STANDARD (LONG) DOOR HINGE  
Reinforcement top hinge



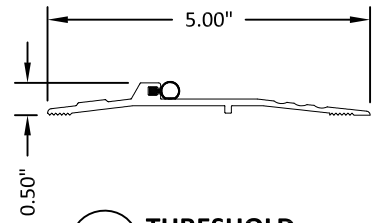
12 MULLION Z BRACKET



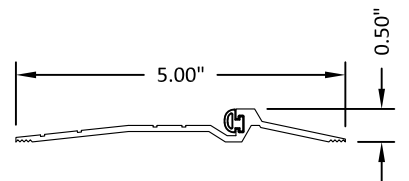
53 GLASS STOP



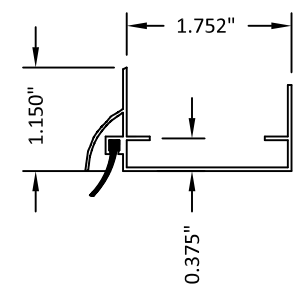
78 OUTSWING THRESHOLD  
QOSH BY DLP



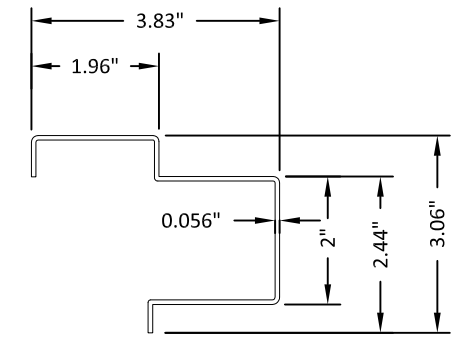
40 THRESHOLD  
NGP #896V



41 THRESHOLD  
PEMKO 2005\_V



45 DOOR SWEEP



15 MULLION



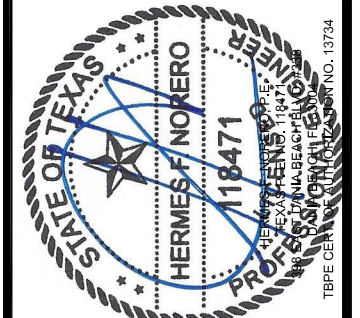
MESKER DOOR, a division of Dormakaba USA, Inc. 3440 Standwood Blvd. Huntsville, AL 35811 PH: (256) 851-6670

TITLE: "N" SERIES COMMERCIAL OUTSWING STEEL DOOR COMPONENTS

PREPARED BY: **BD BUILDING DROPS, INC.**  
398 E. DANIA BEACH BLVD. #338  
DANIA BEACH, FL 33004  
PH: (954) 399-8478 FX: (954) 744-4738

### REVISIONS

DESCRIPTION	BY	DATE
2018 CODE REVISION	LL	5/24/22



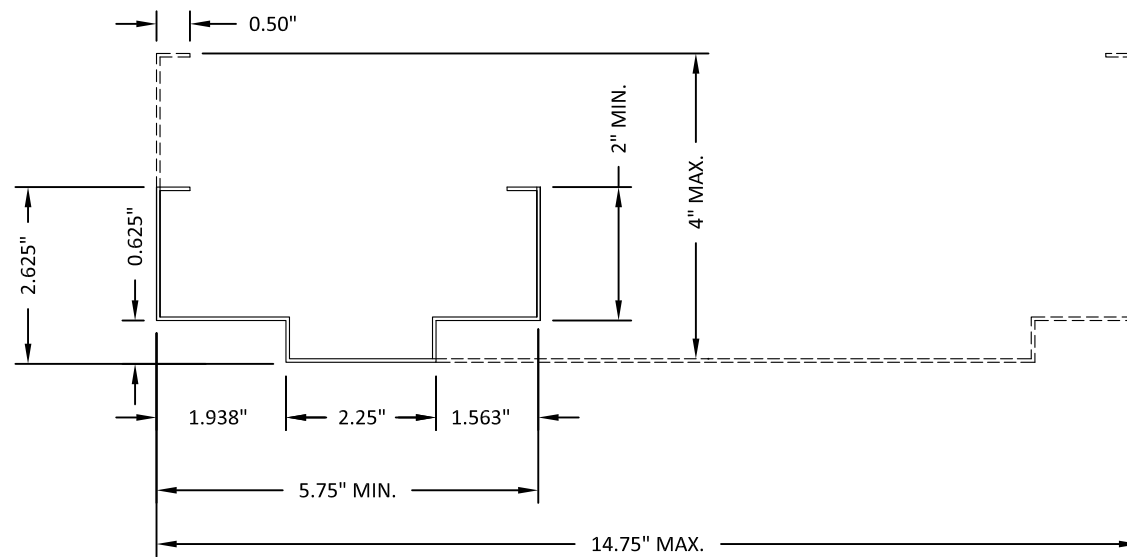
DATE: 02.06.17  
DWN BY: LS  
CHK BY: HFN  
SCALE: NTS

DWG #: **MDI010**  
SHEET: **13 OF 14**

**BILL OF MATERIALS**

ITEM #	DESCRIPTION	MATERIAL
C	1/4" MAX. SHIM SPACE	-
D	1/4" X 2-3/4" ELCO OR ITW CONCRETE SCREWS	STEEL
E	MASONRY - 3000 PSI MIN. CONCRETE CONFORMING TO ACI 301 OR HOLLOW BLOCK CONFORMING TO ASTM C90	CONCRETE
H	1/4" X 1-3/4" ITW PFH CONCRETE SCREW	STEEL
I	5/16" X 1-3/4" ELCO ULTRACON CONCRETE SCREW	STEEL
J	3/8" X 5" PFH ITW DYNABOLT SLEEVE ANCHOR	STEEL
K	3/8" X 5" HLC HILTI SLEEVE ANCHOR	STEEL
L	3/8" X 5" SLEEVE ANCHOR BY POWERS FASTENERS	STEEL
M	3/8" X 5" TAPPER CONCRETE SCREW BY POWERS FASTENERS	STEEL
N	5/16" SMS OR MACHINE BOLT (MIN. GRADE 5 CRS)	STEEL
O	3/8" X 5" WEDGE BOLT CONCRETE SCREW BY POWERS FASTENERS	STEEL
1	"N" STEEL DOOR PANEL	-
2	DOOR SKIN - BY MESKER	STEEL
3	FOAM 1.0 PCF MIN. DENSITY	POLYSTYRENE
4	DOOR TOP & BOTTOM CLOSER	STEEL
5	LOCK BOX REINFORCEMENT	STEEL
8	#12-24 X 1/2" SELF TAPPER	STEEL
9	TUBE ANCHOR (PF-10)	STEEL
10	#12-24 X 1" COMBINATION MACHINE / WOOD SCREW	STEEL
12	MULLION Z BRACKET	STEEL
15	MULLION MIN. (0.056" THK) BY MESKER	STEEL
16	ANSI LATCH STRIKE	STEEL
17	DEADBOLT STRIKE	STEEL
19	DEADBOLT STRIKE REINFORCEMENT	STEEL
20	WEATHERSTRIP (PEMKO S-88)	NEOPRENE
21	4-1/2" X 4-1/2" X 0.125" TEMPLATE HINGE	STEEL
22	STANDARD (LONG) DOOR HINGE TOP HINGE REINFORCEMENT	STEEL
23	STANDARD (SHORT) DOOR HINGE MIDDLE BOTTOM HINGE REINF.	STEEL
24	WEATHERSTRIP (THRESHOLD)	NEOPRENE
25	HOLLOW METAL FRAME - BY MESKER	STEEL
27	LATCH STRIKE REINFORCEMENT	STEEL
28	FRAME HINGE REINFORCEMENT	STEEL
30	MASONRY 'TEE' ANCHOR (MESKER PFMT5)	STEEL
31	STRAP ANCHOR (PS-241)	STEEL
33	Z ANCHOR (PF-9)	STEEL
34	WOOD STUD ANCHOR (F-24)	STEEL
35	WIRE ANCHOR (PF-2)	STEEL
36	CONTINUOUS GEARED HINGE	ALUMINUM

ITEM #	DESCRIPTION	MATERIAL
40	THRESHOLD (NATIONAL GUARD PRODUCTS, INC. #896V)	ALUMINUM
41	THRESHOLD (PEMKO 2005_V)	ALUMINUM
42	1" BUMPER THRESHOLD BY DESIGN HARDWARE	ALUMINUM
45	95WHA DOOR SWEEP NATIONAL GUARD PRODUCTS, INC.	ALUMINUM
46	#6 X 3/4" PHILIPS HEAD SMS	STEEL
51	L CHANNEL FIXED GLASS STOP	STEEL
52	#8 X 0.5" HH SELF DRILLING SCREW	STEEL
53	U CHANNEL FIXED GLASS STOP	STEEL
54	#8 X 0.125" PFH SHEET METAL SCREW	STEEL
71	DESIGN HARDWARE D1-S SERIES DEADBOLT	STEEL
72	DESIGN HARDWARE "Z" SERIES ENTRY	STEEL
76	DESIGN HARDWARE D2-S SERIES DEADBOLT	STEEL
77	DESIGN HARDWARE "X" SERIES ENTRY	STEEL
78	-	-
79	BULB GASKET	VINYL
81	DOW 995 STRUCTURAL SILICONE	SILICONE
83	1/4" X 2-1/2" PPH MS	STEEL
86	LITE FRAME BY AIR LOUVERS VLFEZ-HRC	STEEL
86A	LITE FRAME BY AIR LOUVERS VLFIG-HRC	STEEL
88	#8 X 1-1/2" PPH MS	STEEL
89	SCREW COVER	STEEL
92	#8 X 1-1/4" PPH SELF TAPPER	STEEL
93	KRM REMOVABLE MULLION	STEEL



**25 HOLLOW METAL FRAME**



MESKER DOOR, a division of  
Dormakaba USA, Inc.  
3440 Standwood Blvd.  
Huntsville, AL 35811  
PH: (256) 851-6670

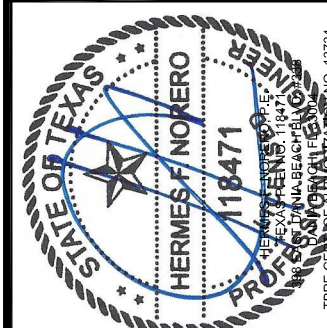
TITLE: "N" SERIES COMMERCIAL  
OUTSWING STEEL DOOR

BILL OF MATERIALS

PREPARED BY:  
BD BUILDING DROPS, INC.  
398 E. DANIA BEACH BLVD. #338  
DANIA BEACH, FL 33004

PH: (954) 399-6478 FX: (954) 744-4738

REVISIONS	DESCRIPTION	BY	DATE
	2018 CODE REVISION	LL	5/24/22



DATE: 02.06.17  
DWN BY: LS  
CHK BY: HFN  
SCALE: NTS

DWG #: MDI010  
SHEET: 14 OF 14

5/24/2022 4:53 PM

s:\projects\dormakaba\tdi-22\_0310 - tdi submittal - re-evaluation - dr902.dwg\mdf010.dwg