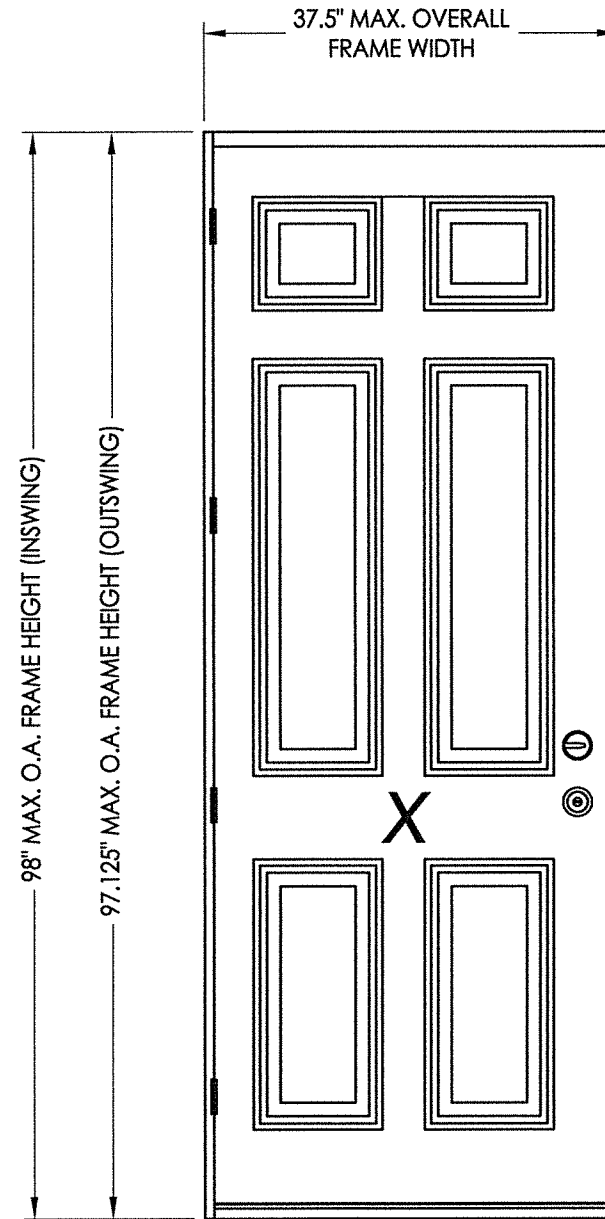


Opaque Fiberglass Door

"NON-IMPACT"
INSWING / OUTSWING



EVALUATED FOR USE IN THE STATE OF TEXAS

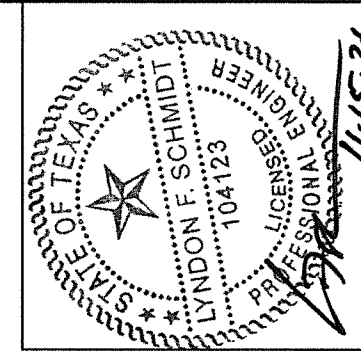
TDI DR-851

The Fiberglass Door system described herein complies with the 2018 International Residential Code (IRC), Sections R301 & R609 and the 2018 International Building Code (IBC), Sections 1404.13, 1609, 1709.5, 2403 and 2404 subject to the following conditions:

1. Anchors shall be as listed and spaced as shown in the details. Anchor embedment to base material shall be beyond wall dressing or stucco.
2. When used in areas requiring wind-borne debris protection this product is required to be protected with an impact resistant covering that complies with Section R301.2.1.2 of the IRC and Section 1609.1.2 of the IBC.
3. Allowable design pressure requirements must be equal to or less than the design pressure rating shown in the design pressure chart, sheet 1 of this drawing.
4. Conditions not covered by this drawing are subject to further engineering analysis.

TABLE OF CONTENTS	
SHEET#	DESCRIPTION
1	Typical elevations, design pressures & general notes
2	Door panel details
3	Horizontal & vertical cross sections
4	Vertical cross sections
5	Frame anchoring

CONFIG.	MODEL	DESIGN PRESSURE (PSF)	
		POSITIVE	NEGATIVE
X	INSWING	+45.0	-45.0
X	OUTSWING	+40.0	-40.0



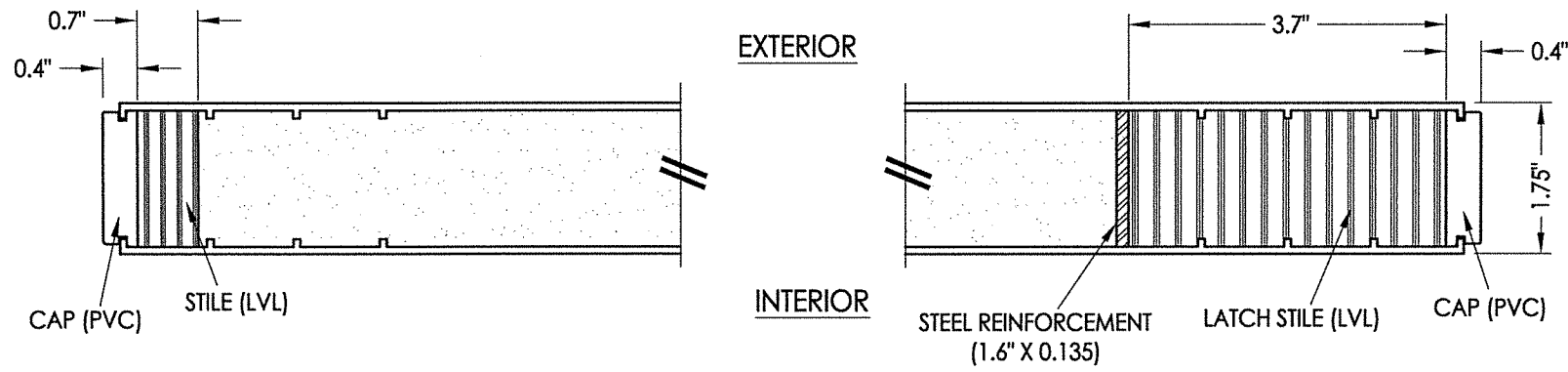
Documents Prepared By: Lyndon F. Schmidt, P.E.
TEXAS P.E. #104123

RW BUILDING CONSULTANTS, INC.
P.O. Box 230 Vairico FL 33595
Phone No.: 813.659.9197

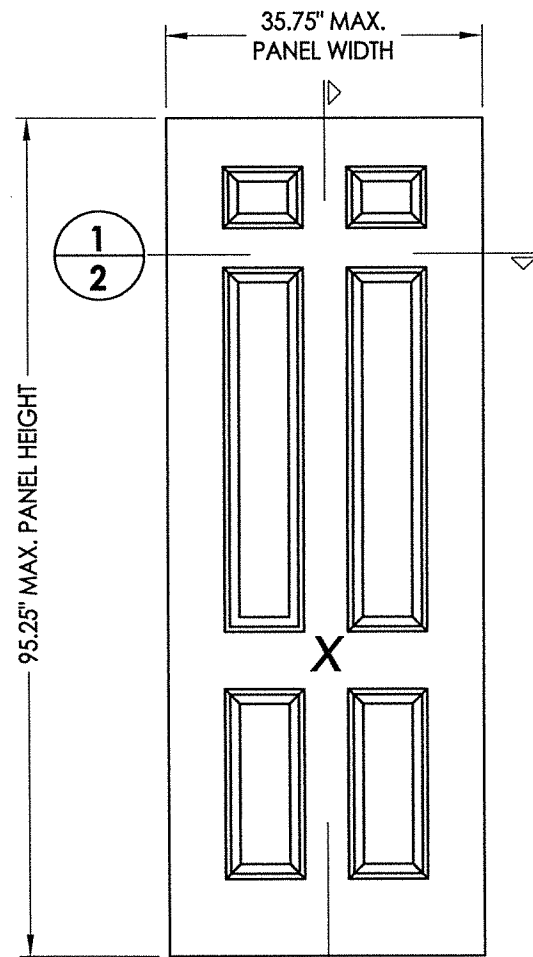
TEXAS BOARD OF PROFESSIONAL ENGINEERS
CERTIFICATE OF REGISTRATION # F-11852

PRODUCT:	ENDURA
PART OR ASSEMBLY:	TYPICAL ELEVATION, DESIGN PRESSURES & GENERAL NOTES
DATE:	11/02/16
SCALE:	N.T.S.
DWG. BY:	JK
CHK. BY:	LFS
DRAWING NO.:	TX-4648
SHEET	1 OF 5

Z:\Clients\Endura PERMANENT\B - Texas Dept of Ins\TDI - DR-851 Plastpro FG Opaque (LK,DB)\C - Drawings\TX-4645,48.dwg

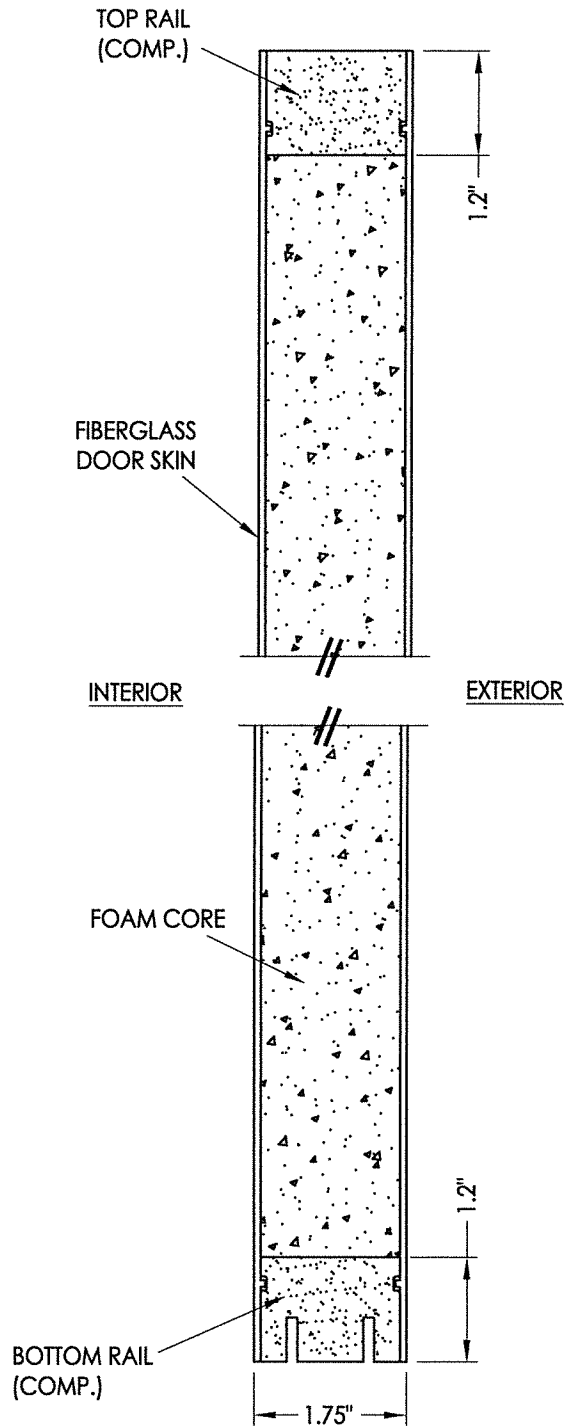


1
2 HORIZONTAL CROSS SECTION

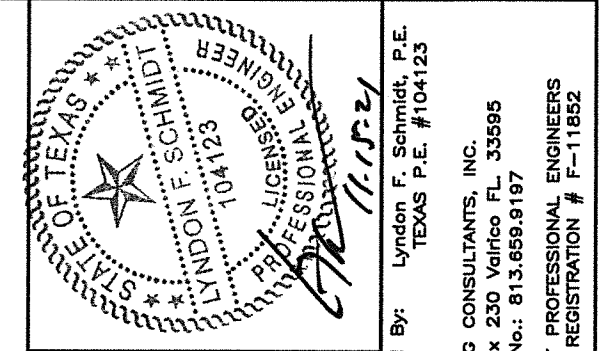


2
2
40 DOOR PANEL
Plastpro
Fiberglass

DOOR SKIN: FIBERGLASS (0.075" MIN. THICKNESS)
CORE MATERIAL: POLYURETHANE FOAM (1.9 PCF MIN.)



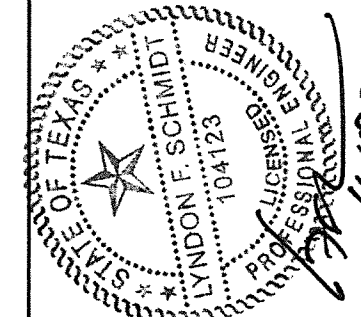
2
2 VERTICAL CROSS SECTION



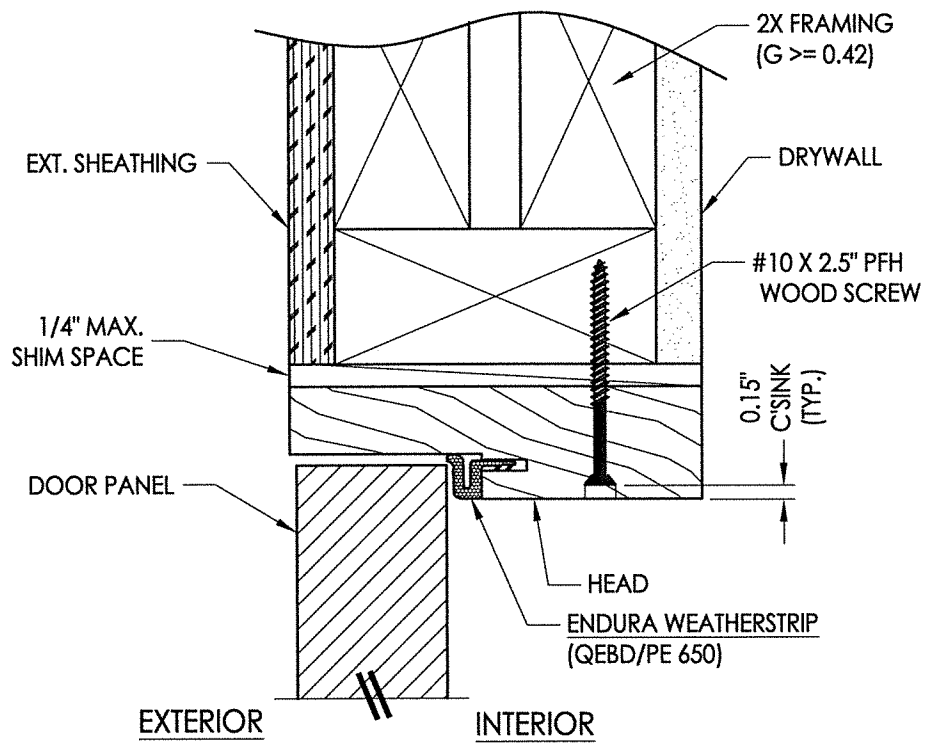
Documents Prepared By: Lyndon F. Schmidt, P.E.
TEXAS P.E. #104123
RW BUILDING CONSULTANTS, INC.
P.O. Box 230 Valrico FL 33595
Phone No.: 813.659.9197
TEXAS BOARD OF PROFESSIONAL ENGINEERS
CERTIFICATE OF REGISTRATION # F-11852

PRODUCT:	ENDURA		
PART OR ASSEMBLY:	DOOR PANEL DETAILS		
NO.	DATE	DATE	BY
1	11/11/21	UPDATE TO 2018 IBC/IRC CODE	LFS
REVISIONS			
DATE: 11/02/16			
SCALE: N.T.S.			
DWG. BY: JK			
CHK. BY: LFS			
DRAWING NO.: TX-4648			
SHEET 2 OF 5			

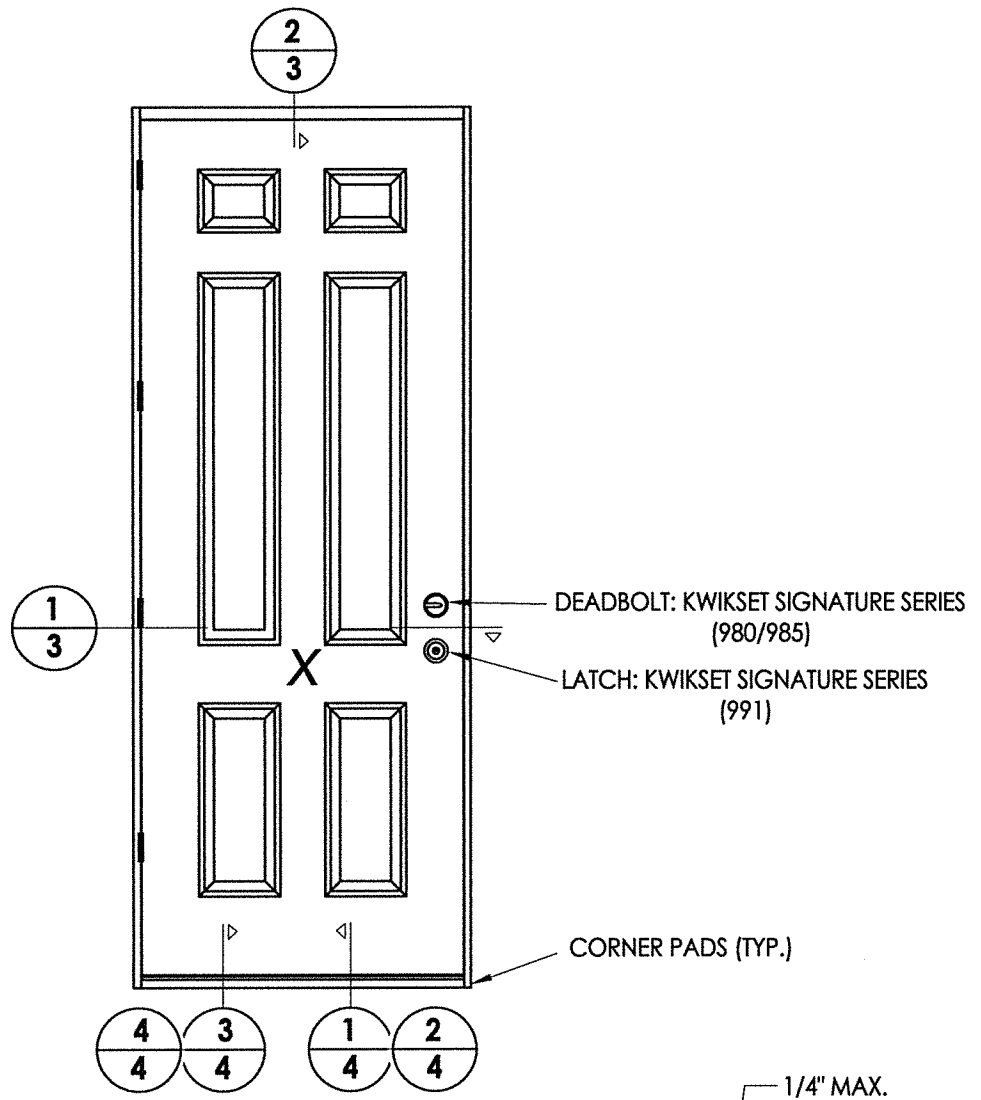
Z:\Clients\Endura PERMANENT\B - Texas Dept of Ins\TDI - DR-851 Plastpro FG Opaque (LK,DB)\C - Drawings\TX-4645.48.dwg



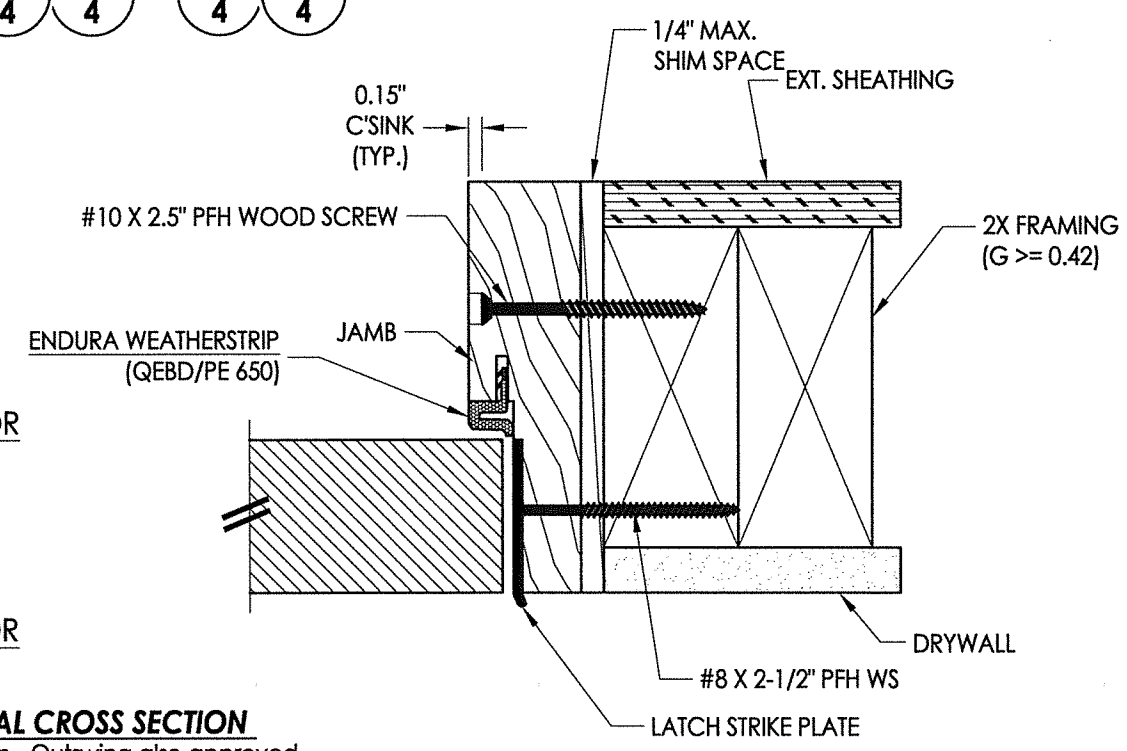
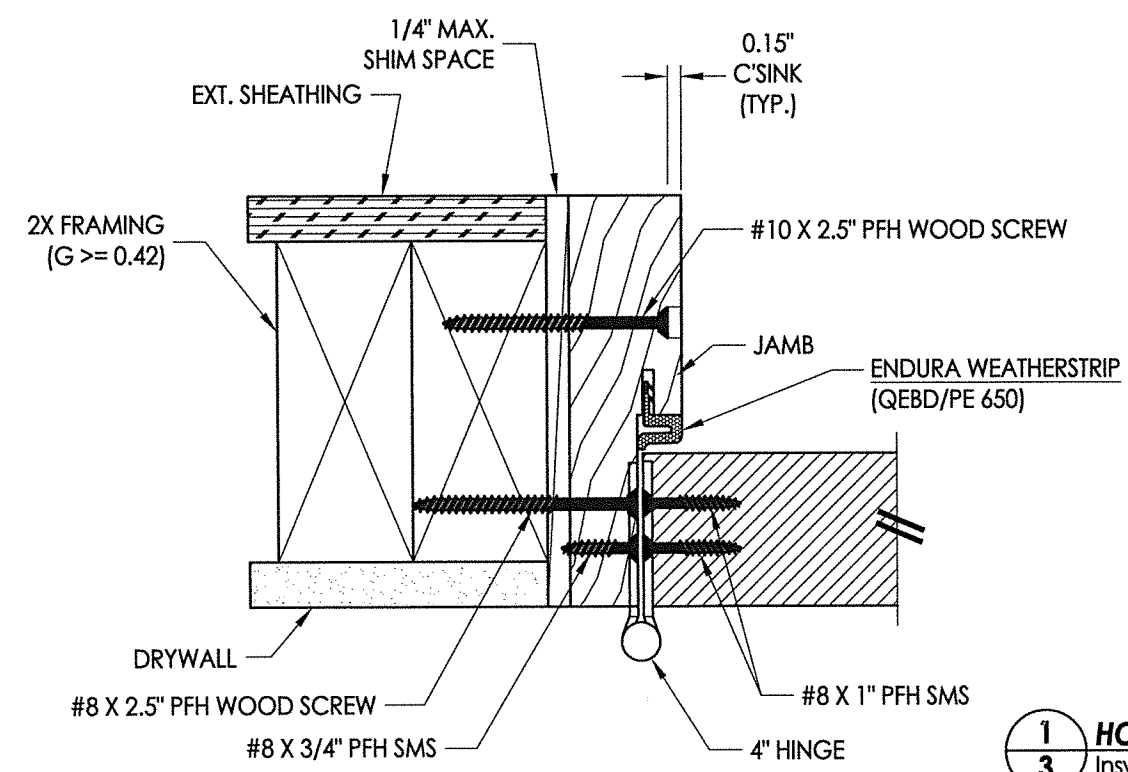
Documents Prepared By: Lyndon F. Schmidt, P.E.
 TEXAS P.E. #104123
RW BUILDING CONSULTANTS, INC.
 P.O. Box 230 Valrico FL 33595
 Phone No.: 813.659.9197
 TEXAS BOARD OF PROFESSIONAL ENGINEERS
 CERTIFICATE OF REGISTRATION # F-11852



2 VERTICAL CROSS SECTION
 3 Outswing shown - inswing also approved

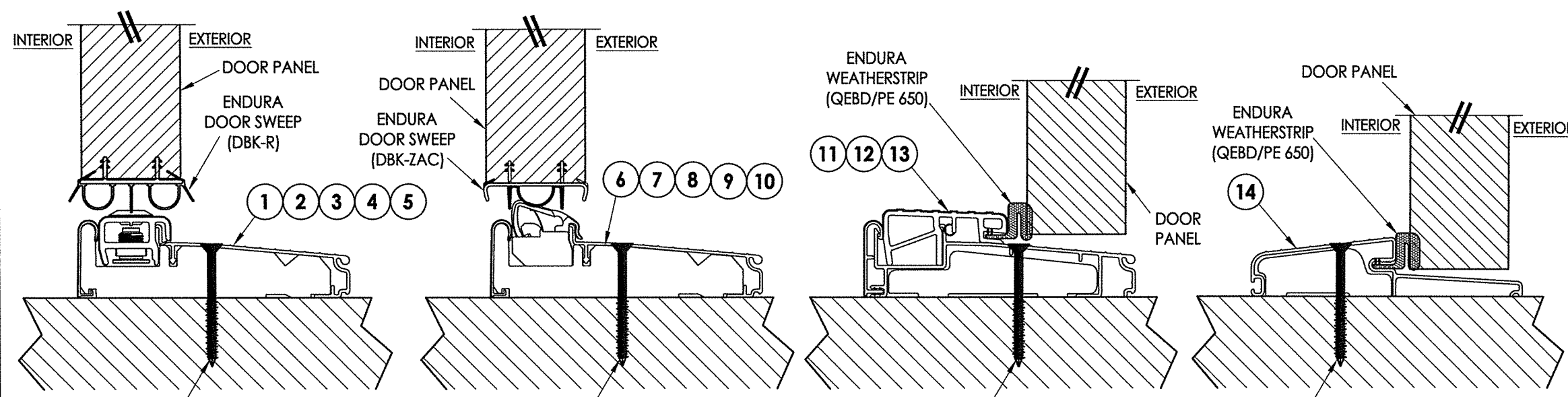


1 HORIZONTAL CROSS SECTION
 3 Inswing shown - Outswing also approved



PRODUCT:	ENDURA	
PART OR ASSEMBLY:	HORIZONTAL & VERTICAL CROSS SECTIONS	
NO.	DATE	BY
1	11/11/21	LFS
UPDATE TO 2018 IBC/IRC CODE		
REVISIONS		
DATE:	11/02/16	
SCALE:	N.T.S.	
DWG. BY:	JK	
CHK. BY:	LFS	
DRAWING NO.:	TX-4648	
SHEET	3	OF 5

Z:\Clients\Endura PERMANENT B - Texas Dept of Ins\TDI - DR-851 Plastpro FG Opaque (LK,DB)\C - Drawings\TX-4645,48.dwg



#10 X 2.5" PFH WOOD SCREW OR
1/4" X 2-3/4" DeWALT OR ITW CONCRETE SCREW

1 **VERTICAL CROSS SECTION**
4 Inswing Adjustable Threshold

#10 X 2.5" PFH WOOD SCREW OR
1/4" X 2-3/4" DeWALT OR ITW CONCRETE SCREW

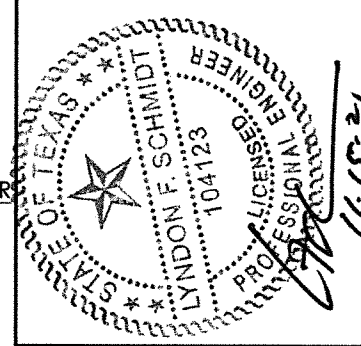
2 **VERTICAL CROSS SECTION**
4 Inswing Articulating Threshold

#10 X 2.5" PFH WOOD SCREW OR
1/4" X 2-3/4" DeWALT OR ITW CONCRETE SCREW

3 **VERTICAL CROSS SECTION**
4 Outswing Bump Threshold

#10 X 2.5" PFH WOOD SCREW OR
1/4" X 2-3/4" DeWALT OR ITW CONCRETE SCREW

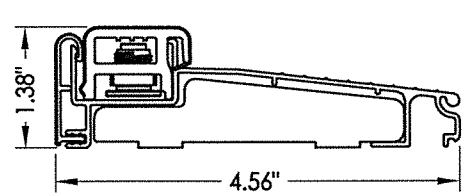
4 **VERTICAL CROSS SECTION**
4 Outswing Bump Threshold



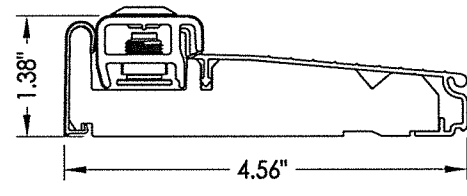
Documents Prepared By: Lyndon F. Schmidt, P.E.
TEXAS P.E. #104123

RW BUILDING CONSULTANTS, INC.
P.O. Box 230 Veroico FL 33595
Phone No.: 813.659.9197

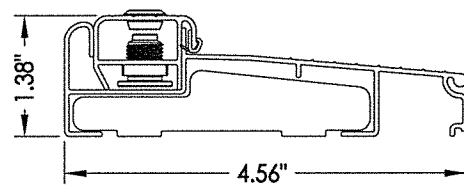
TEXAS BOARD OF PROFESSIONAL ENGINEERS
CERTIFICATE OF REGISTRATION # F-11852



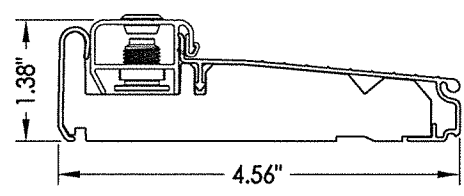
1 **INSWING ADJUSTABLE THRESHOLD**
ZAIL4565



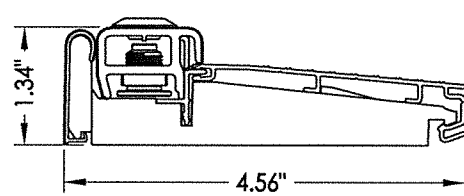
2 **INSWING ADJUSTABLE THRESHOLD**
ZAI4565FN



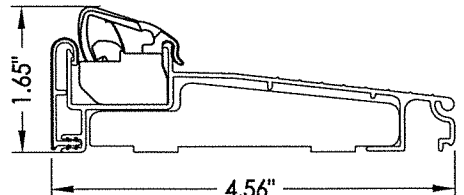
3 **INSWING ADJUSTABLE THRESHOLD**
ZAILAA4565



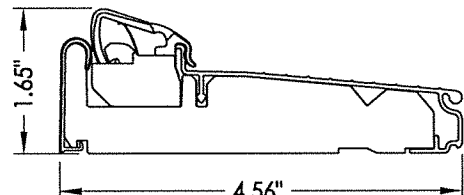
4 **INSWING ADJUSTABLE THRESHOLD**
ZAIAA4565FN



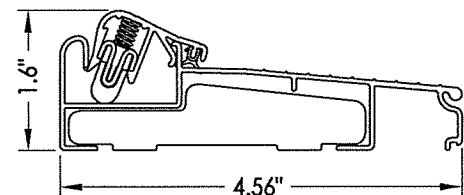
5 **INSWING ADJUSTABLE THRESHOLD**
ZAI4565RDS
MAX. DESIGN PRESSURE = ±40 PSF



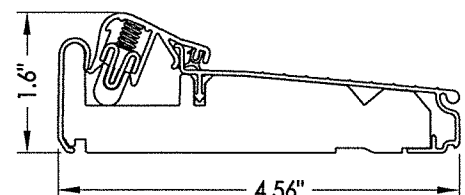
6 **INSWING ARTICULATING THRESHOLD**
ZACL4565



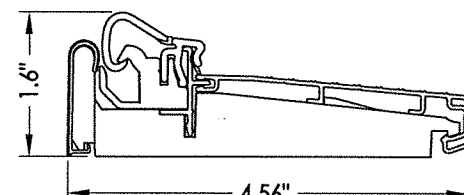
7 **INSWING ARTICULATING THRESHOLD**
ZAC4565FN



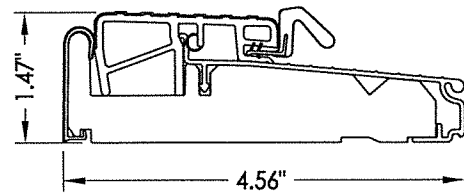
8 **INSWING ARTICULATING THRESHOLD**
ZACLAA4565



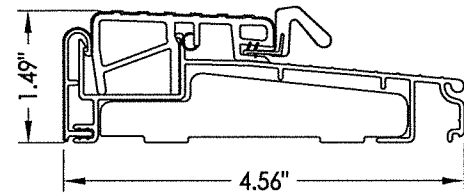
9 **INSWING ARTICULATING THRESHOLD**
ZACAA4565FN



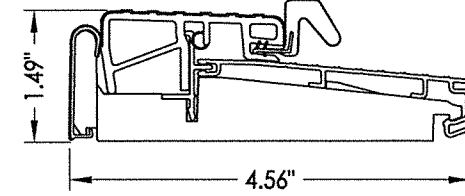
10 **INSWING ARTICULATING THRESHOLD**
ZAC4565RDS
MAX. DESIGN PRESSURE = ±35 PSF



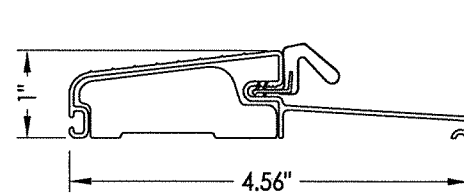
11 **OUTSWING THRESHOLD**
ZOB4565FN



12 **OUTSWING THRESHOLD**
ZOBL4565



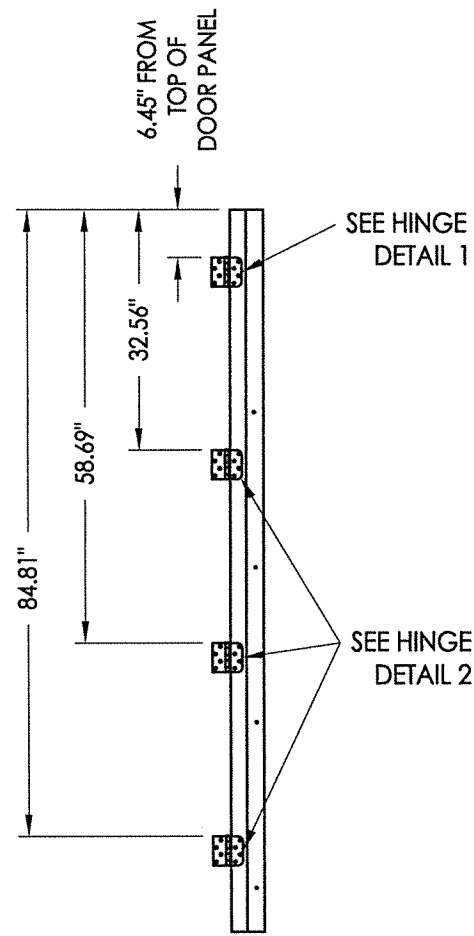
13 **OUTSWING THRESHOLD**
ZOB4565RDS



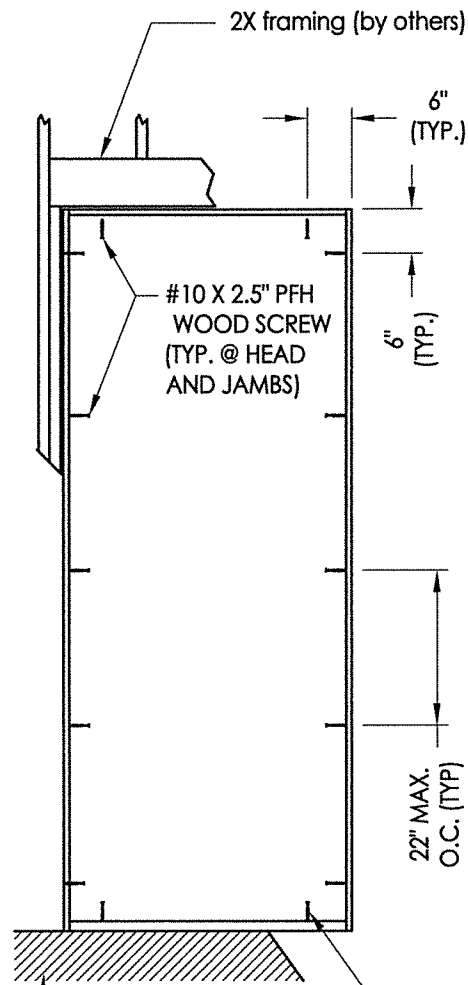
14 **OUTSWING THRESHOLD**
FOB4566

PRODUCT: ENDURA		PART OR ASSEMBLY: VERTICAL CROSS SECTIONS	
NO.	DATE	LFS	BY
1	11/11/21	UPDATE TO 2018 IBC/IRC CODE	
REVISIONS			
DATE: 11/02/16			
SCALE: N.T.S.			
DWG. BY: JK			
CHK. BY: LFS			
DRAWING NO.: TX-4648			
SHEET 4 OF 5			

© 2016 R.W. BUILDING CONSULTANTS INC.

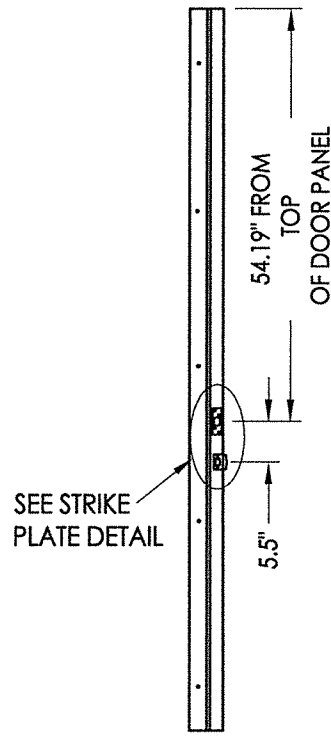


HINGE JAMB

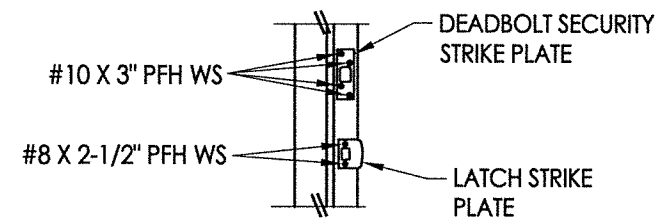


FRAME ANCHORING

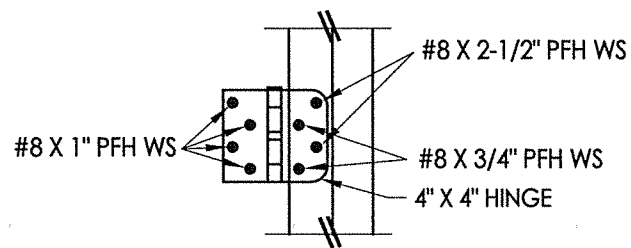
FLOOR SUBSTRATE MATERIAL (TYP.)
CONCRETE (MIN. 3000 PSI)
WOOD (G >= 0.42)



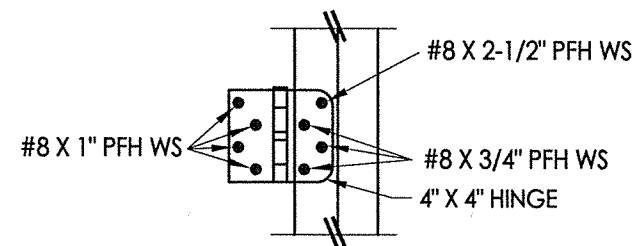
STRIKE JAMB



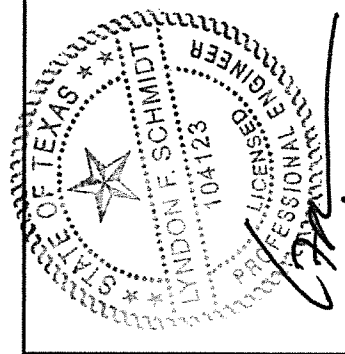
STRIKE PLATE DETAIL



HINGE DETAIL 1



HINGE DETAIL 2



Documents Prepared By: Lyndon F. Schmidt, P.E.
TEXAS P.E. #104123

RW BUILDING CONSULTANTS, INC.
P.O. Box 230 Valrico FL 33595
Phone No.: 813.659.9197

TEXAS BOARD OF PROFESSIONAL ENGINEERS
CERTIFICATE OF REGISTRATION # F-11852

PRODUCT:	ENDURA
PART OR ASSEMBLY:	FRAME ANCHORING

NO.	DATE	DESCRIPTION	BY
1	11/11/21	UPDATE TO 2018 IBC/IRC CODE	LFS

DATE:	11/02/16
SCALE:	N.T.S.
DWG. BY:	JK
CHK. BY:	LFS
DRAWING NO.:	TX-4648
SHEET	5 OF 5

CONCRETE ANCHOR NOTES:

- Concrete anchor locations at the corners may be adjusted to maintain the min. edge distance to mortar joints.
- Concrete anchor locations noted as "MAX. ON CENTER" must be adjusted to maintain the min. edge distance to mortar joints, additional concrete anchors may be required to ensure the "MAX. ON CENTER" dimension are not exceeded.
- Concrete anchor table:

ANCHOR TYPE	ANCHOR SIZE	MIN. EMBEDMENT	MIN. CLEARANCE TO MASONRY EDGE	MIN. CLEARANCE TO ADJACENT ANCHOR
ITW TAPCON®	1/4"	1-3/4"	1-1/2"	4"
DeWALT ULTRACON®	1/4"	1-3/4"	1"	4"