

YKK AP America Inc.

SERIES 35H ALUMINUM OUTSWING ENTRANCE DOOR (IMPACT)



YKK AP America Inc.
1229 HWY 441 BYPASS
DUBLIN, GEORGIA 31021
PH: (478)277-1955 FAX: (678)838-6001

INSTALLATION NOTES:

1. ONE (1) INSTALLATION ANCHOR IS REQUIRED AT EACH ANCHOR LOCATION SHOWN.
2. THE NUMBER OF INSTALLATION ANCHORS DEPICTED IS THE MINIMUM NUMBER OF ANCHORS TO BE USED FOR PRODUCT INSTALLATION.
3. INSTALL INDIVIDUAL INSTALLATION ANCHORS WITHIN A TOLERANCE OF ±1/2 INCH OF THE DEPICTED LOCATION IN THE ANCHOR LAYOUT DETAIL (I.E., WITHOUT CONSIDERATION OF TOLERANCES). TOLERANCES ARE NOT CUMULATIVE FROM ONE INSTALLATION ANCHOR TO THE NEXT.
4. SHIM AS REQUIRED AT EACH INSTALLATION ANCHOR WITH LOAD BEARING SHIM(S). MAXIMUM ALLOWABLE SHIM STACK TO BE 3/8 INCH. SHIM WHERE SPACE OF 1/16 INCH OR GREATER OCCURS. SHIM(S) SHALL BE CONSTRUCTED OF HIGH DENSITY PLASTIC OR BETTER.
5. FOR INSTALLATION INTO WOOD FRAMING USE #14 WOOD SCREWS OF SUFFICIENT LENGTH TO ACHIEVE 1 1/2 INCH MINIMUM EMBEDMENT INTO WOOD SUBSTRATE.
6. FOR INSTALLATION THROUGH 1X BUCK TO CONCRETE/MASONRY, OR DIRECTLY INTO CONCRETE/MASONRY, USE 1/4 INCH DIAMETER ITW TAPCONS OF SUFFICIENT LENGTH TO ACHIEVE 1 1/4 INCH MINIMUM EMBEDMENT.
7. FOR INSTALLATION THROUGH METAL FRAME USE 1/4 INCH DIAMETER SELF-TAPPING SCREW OF SUFFICIENT LENGTH TO ACHIEVE 3 THREADS MINIMUM PENETRATION BEYOND METAL FRAME SUBSTRATE.
8. FOR INSTALLATION THROUGH ALUMINUM MULLION USE 1/4 INCH DIAMETER SELF-TAPPING SCREW OF SUFFICIENT LENGTH TO ACHIEVE 3 THREADS MINIMUM PENETRATION BEYOND ALUMINUM FRAME SUBSTRATE.
9. MINIMUM EMBEDMENT AND EDGE DISTANCE EXCLUDE WALL FINISHES, INCLUDING BUT NOT LIMITED TO STUCCO, FOAM, BRICK VENEER, AND SIDING.
10. INSTALLATION ANCHORS AND ASSOCIATED HARDWARE MUST BE MADE OF CORROSION RESISTANT MATERIAL OR HAVE A CORROSION RESISTANT COATING.
11. FOR HOLLOW BLOCK AND GROUT FILLED BLOCK, DO NOT INSTALL INSTALLATION ANCHORS INTO MORTAR JOINTS. EDGE DISTANCE IS MEASURED FROM FREE EDGE OF BLOCK OR EDGE OF MORTAR JOINT INTO FACE SHELL OF BLOCK.
12. INSTALLATION ANCHORS SHALL BE INSTALLED IN ACCORDANCE WITH ANCHOR MANUFACTURER'S INSTALLATION INSTRUCTIONS, AND ANCHORS SHALL NOT BE USED IN SUBSTRATES WITH STRENGTHS LESS THAN THE MINIMUM STRENGTH SPECIFIED BY THE ANCHOR MANUFACTURER.
13. INSTALLATION ANCHOR CAPACITIES FOR PRODUCTS HEREIN ARE BASED ON SUBSTRATE MATERIALS WITH THE FOLLOWING PROPERTIES:
 - A. WOOD - MINIMUM SPECIFIC GRAVITY OF 0.42.
 - B. CONCRETE - MINIMUM COMPRESSIVE STRENGTH OF 3000 PSI.
 - C. MASONRY - STRENGTH CONFORMANCE TO ASTM C-90, WITH MINIMUM COMPRESSIVE STRENGTH OF 2000 PSI.
 - D. STEEL - MINIMUM YIELD STRENGTH OF 33 KSI. MINIMUM 18 GA. WALL THICKNESS.
 - E. ALUMINUM - MINIMUM 1/16 INCH THICK 6063-T5 ALUMINUM.

GENERAL NOTES:

1. THE PRODUCT SHOWN HEREIN IS DESIGNED AND MANUFACTURED TO COMPLY WITH THE 2018 INTERNATIONAL BUILDING CODE (IBC) AND INTERNATIONAL RESIDENTIAL CODE (IRC), AND HAS BEEN EVALUATED ACCORDING TO THE FOLLOWING:
 - ASTM E283-04(12)
 - ASTM E330-14
 - ASTM E331-00(09)
 - ASTM E1886-13a
 - ASTM E1996-14a
 - TAS 201-94
 - TAS 202-94
 - TAS 203-94
2. ADEQUACY OF THE EXISTING STRUCTURAL CONCRETE/MASONRY, 2X FRAMING AND METAL STUD FRAMING AS A MAIN WIND FORCE RESISTING SYSTEM CAPABLE OF WITHSTANDING AND TRANSFERRING APPLIED PRODUCT LOADS TO THE FOUNDATION IS THE RESPONSIBILITY OF THE ENGINEER OR ARCHITECT OF RECORD FOR THE PROJECT OF INSTALLATION.
3. 1X AND 2X BUCKS (WHEN USED) SHALL BE DESIGNED AND ANCHORED TO PROPERLY TRANSFER ALL LOADS TO THE STRUCTURE. BUCK DESIGN AND INSTALLATION IS THE RESPONSIBILITY OF THE ENGINEER OR ARCHITECT OF RECORD FOR THE PROJECT OF INSTALLATION.
4. THE INSTALLATION DETAILS DESCRIBED HEREIN ARE GENERIC AND MAY NOT REFLECT ACTUAL CONDITIONS FOR A SPECIFIC SITE. IF SITE CONDITIONS CAUSE INSTALLATION TO DEVIATE FROM THE REQUIREMENTS DETAILED HEREIN, A LICENSED ENGINEER OR ARCHITECT SHALL PREPARE SITE SPECIFIC DOCUMENTS FOR USE WITH THIS DOCUMENT.
5. APPROVED IMPACT PROTECTIVE SYSTEM **IS NOT REQUIRED** ON THIS PRODUCT IN AREAS REQUIRING IMPACT RESISTANCE.
6. DOOR FRAME MATERIAL: ALUMINUM 6063-T5
7. ALL STRUCTURAL MATERIALS & DISSIMILIAR METALS SHALL BE PROTECTED, TREATED, PAINTED, COATED, AND/OR ISOLATED AS REQUIRED IN THE APPLICABLE SECTIONS OF THE 2018 INTERNATIONAL BUILDING CODE AND REFERENCED DESIGN SPECIFICATIONS.
8. GLASS MEETS THE REQUIREMENTS OF ASTM E 1300 GLASS CHARTS. SEE SHEET 14 & 15 FOR GLAZING DETAILS.
9. DOOR CONFIGURATIONS MAY UTILIZE BUTT HINGES AS DESCRIBED HEREIN OR CONTINUOUS HINGES INTERCHANGEABLY.
10. ALLOWABLE CONFIGURATIONS: X (SINGLE DOOR) OR XX (DOUBLE DOOR) WITH OR WITHOUT TRANSOMS.

TABLE OF CONTENTS	
SHEET	SHEET DESCRIPTION
1	INSTALLATION & GENERAL NOTES
2	ELEVATIONS 1
3	ELEVATIONS 2
3.1	ELEVATIONS 3
3.2	ELEVATIONS 4
4	ANCHOR LAYOUTS & QUALIFIED HINGE ASSEMBLIES
5	VERTICAL SECTIONS 1
6	VERTICAL SECTIONS 2
7	VERTICAL SECTIONS 3 & THRESHOLD WATER & DP LIM.
8	HORIZONTAL SECTIONS 1
9	HORIZONTAL SECTIONS 2
10	HORIZONTAL/VERTICAL SECTIONS
11	SILL DETAIL WITH RAMP
12	CURTAINWALL INSTALLATION & DOOR CORNER DETAILS
13	FRAME CORNER DETAILS
14	GLAZING DETAILS 1
15	GLAZING DETAILS 2
16	COMPONENTS & BILL OF MATERIALS
17	COMPONENTS (1)
18	COMPONENTS (2)

DESIGN PRESSURE TABLE			
GLAZING TYPES	MAX. D.L.O. SIZE	MAX. DP	IMPACT RATING
A, B, C	38.44" X 83.50"	+90/-90 PSF	LMI & SMI
A1, B1, C1	38.06" X 82.44"	+70/-90 PSF	LMI & SMI
D, E	32.44" X 83.50"	+60/-60 PSF	LMI & SMI
D1, E1	32.06" X 82.44"	+50/-50 PSF	LMI & SMI
F, G, H	38.44" X 82.50"	+90/-90 PSF	SMI
F1, G1	38.06" X 82.44"	+70/-90 PSF	SMI
C, C1	32.44" X 100.81"	+90/-90 PSF	LMI & SMI
B1, C1	32.44" X 106.81"	+75/-75 PSF	LMI

- NOTE:**
1. LMI - LARGE MISSILE IMPACT RATED
 2. SMI - SMALL MISSILE IMPACT RATED
 3. SEE SHEETS 14 & 15 FOR GLAZING DETAILS
 4. SEE SHEETS 2-4 FOR LIMITATIONS ON DESIGN PRESSURE BASED ON SIZE AND LOCKING HARDWARE

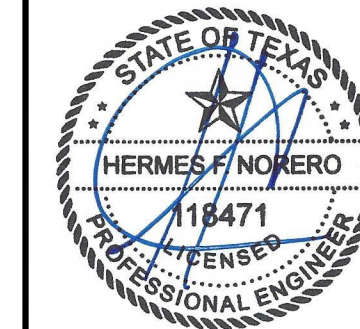
TITLE: SERIES 35H ALUMINUM OUTSWING ENTRANCE DOOR (IMPACT)

INSTALLATION & GENERAL NOTES

PREPARED BY: BUILDING DROPS, INC.
398 E. DANIA BEACH BLVD., STE. 338
DANIA BEACH, FL 33004
PH: (954)399-8478
FAX: (954)744-4738
WEB: www.buildingdrops.com

REMARKS	BY	DATE

THE INSTALLATION DETAILS DESCRIBED HEREIN ARE GENERIC AND MAY NOT REFLECT ACTUAL CONDITIONS FOR A SPECIFIC SITE. IF SITE CONDITIONS CAUSE INSTALLATION TO DEVIATE FROM THE REQUIREMENTS DETAILED HEREIN, A LICENSED ENGINEER OR ARCHITECT SHALL PREPARE SITE SPECIFIC DOCUMENTS FOR USE WITH THIS DOCUMENT.



HERMES F. NORERO, P.E.
TEXAS P.E. No 118471
BUILDING DROPS, INC
398 E. DANIA BEACH BLVD. # 338
DANIA BEACH, FL 33004
TBPE FIRM No. 13734

DATE: **10.21.21**

DWG. BY: **MS** CHK. BY: **HFN**

SCALE: **NTS**

DWG. #: **YKK284**

SHEET: **1**

[PAGE 1 OF 20]

11/9/2021 11:10 AM s:\projects\ykk_ap_america, inc\tdr-21-0933 - tdr_submittal - revision (35h - aluminum outswing entrance door & 50h - aluminum outswing entrance door)\dwg\ykk284.dwg

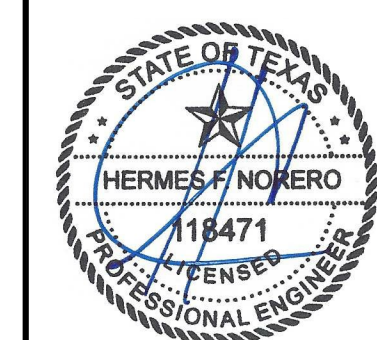
TITLE: SERIES 35H ALUMINUM OUTSWING ENTRANCE DOOR (IMPACT) ELEVATIONS 1

PREPARED BY: BUILDING DROPS, INC.
398 E. DANIA BEACH BLVD., STE. 338
DANIA BEACH, FL 33004
PH: (954)399-8478
FAX: (954)744-4738
WEB: www.buildingdrops.com



REMARKS	BY	DATE

THE INSTALLATION DETAILS DESCRIBED HEREIN ARE GENERIC AND MAY NOT REFLECT ACTUAL CONDITIONS FOR A SPECIFIC SITE. IF SITE CONDITIONS CAUSE INSTALLATION TO DEVIATE FROM THE REQUIREMENTS DETAILED HEREIN, A LICENSED ENGINEER OR ARCHITECT SHALL PREPARE SITE SPECIFIC DOCUMENTS FOR USE WITH THIS DOCUMENT.



HERMES F. NORERO, P.E.
TEXAS P.E. No. 118471
BUILDING DROPS, INC
398 E. DANIA BEACH BLVD. # 338
DANIA BEACH, FL 33004
TBPE FIRM No. 13734

DATE: 10.21.21

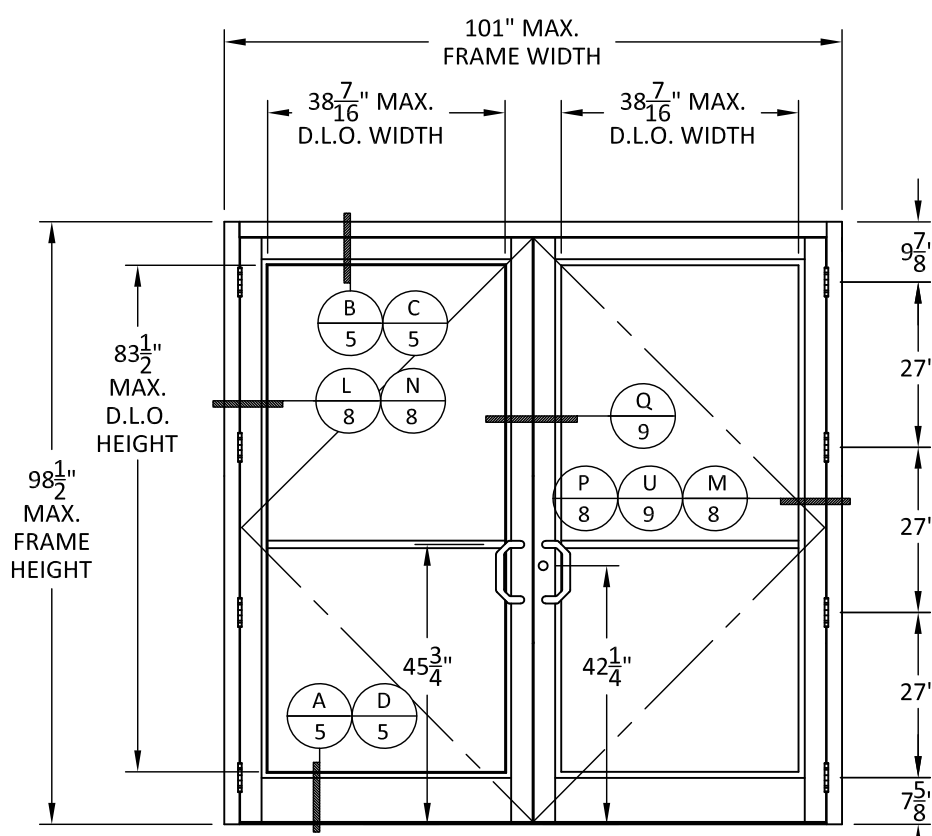
DWG. BY: MS CHK. BY: HFN

SCALE: NTS

DWG. #: YKK284

SHEET:

2



ELEVATION A
STANDARD 5-POINT LOCK

ELEVATION A	
QUALIFIED LOCKING HARDWARE	DESIGN PRESSURE
ADAMS RITE MS 1850 WITH MS 4015 AND MS 4016 TOP AND BOTTOM BOLTS	+/- 90 PSF
ADAMS RITE MS 1880	
ADAMS RITE MS 1850 WITH MS 4015 AND MS 4016 TOP AND BOTTOM BOLTS	+70/-90 PSF
ADAMS RITE MS 2180	

ELEVATION B	
QUALIFIED LOCKING HARDWARE	DESIGN PRESSURE
SARGENT 8500 RIM PANIC WITH REMOVABLE MULLION	+/- 60 PSF
VON DUPRIN 98/99 SERIES RIM PANIC WITH REMOVABLE MULLION	
VON DUPRIN 33A/35A SERIES RIM PANIC WITH REMOVABLE MULLION	+50/-50 PSF
SARGENT 8500 RIM PANIC WITH REMOVABLE MULLION	
ADAMS RITE EX 88 RIM EXIT DEVICE	+/- 60 PSF
CORBIN RUSSWIN ED4200 RIM EXIT DEVICE WITH REMOVABLE MULLION	
YALE 7250M EXIT DEVICE WITH REMOVABLE MULLION	

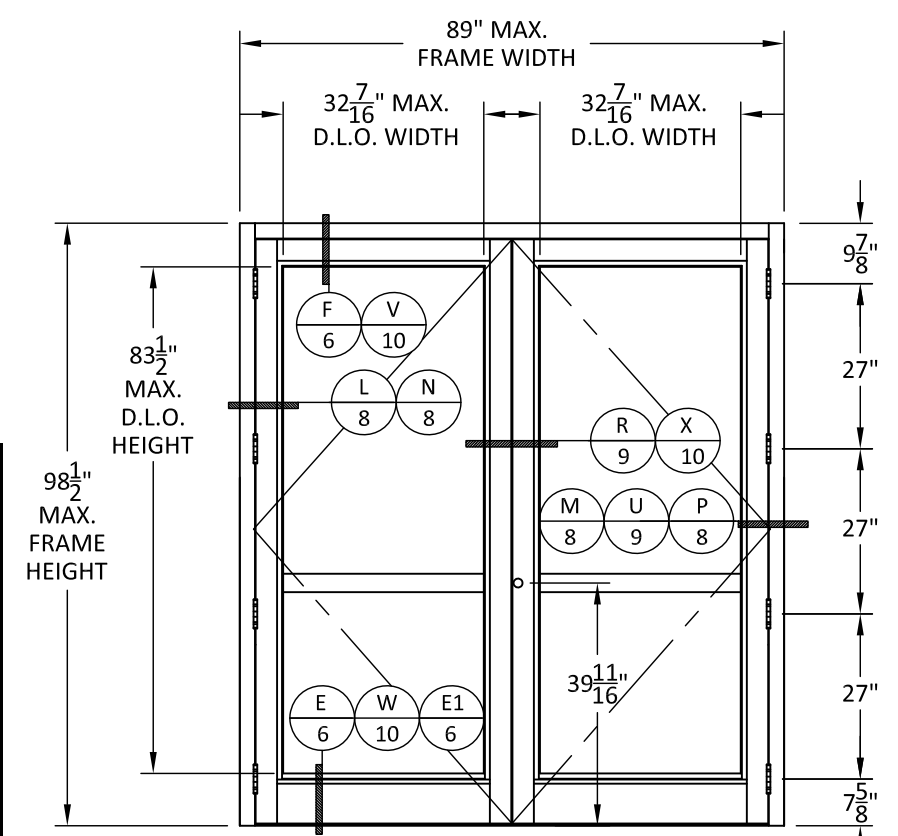
NOTE: RIM PANIC EXIT DEVICES WITH REMOVABLE MULLION ARE NOT FOR USE WITH AIR/WATER RATER THRESHOLD.

NOTES:
1) WHEN AIR/WATER THRESHOLD IS UTILIZED, MAX. DOOR FRAME HEIGHT MAY INCREASE TO 99-7/8". SEE DETAIL D, PAGE 5 AND DETAIL K, PAGE 7.
2) SINGLE AND DOUBLE DOORS ARE QUALIFIED SUCH THAT SINGLE DOOR UTILIZES HARDWARE FROM ACTIVE DOOR PANEL.
3) ADDITIONAL QUALIFIED PANEL CONFIGURATIONS CAN BE FOUND ON PAGE 4.
4) SEE SHEET 7 DESIGN PRESSURE LIMITATIONS BASED ON WATER INFILTRATION REQUIREMENTS.

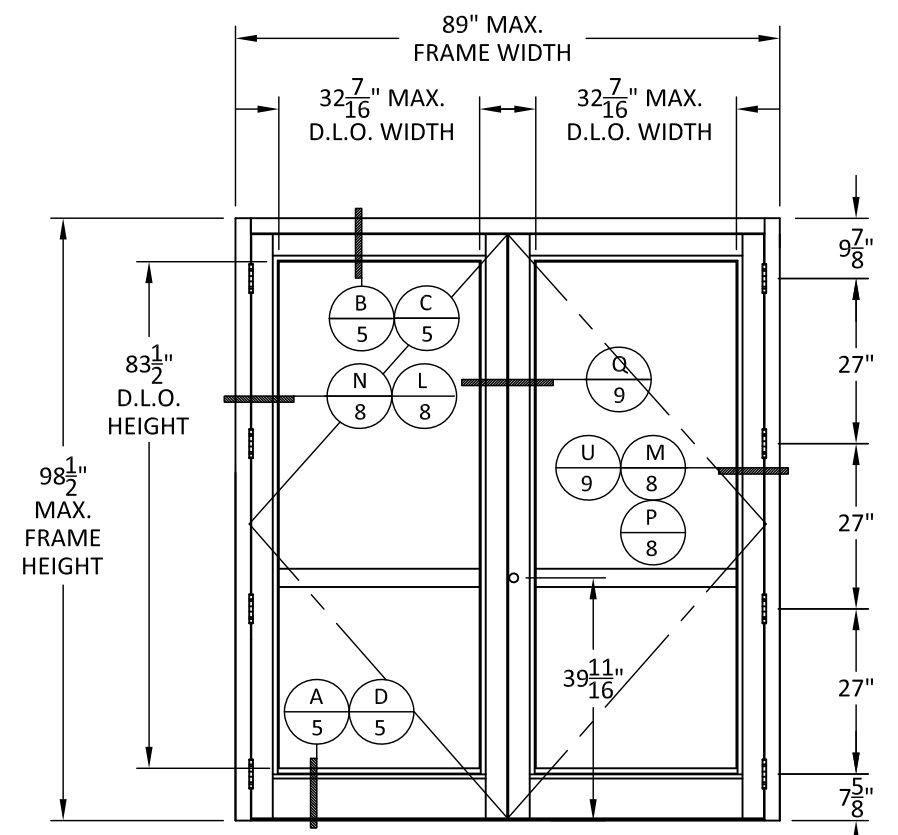
ELEVATION C	
QUALIFIED LOCKING HARDWARE	DESIGN PRESSURE
SINGLE POINT MS 1850 ON ACTIVE WITH FLUSHBOLTS INACTIVE	+/- 50 PSF

ELEVATION D	
QUALIFIED LOCKING HARDWARE	DESIGN PRESSURE
VON DUPRIN 9947F CVR EXIT DEVICE W/ 3/16" SHIM BETWEEN DOOR & DEVICE	+/- 50 PSF

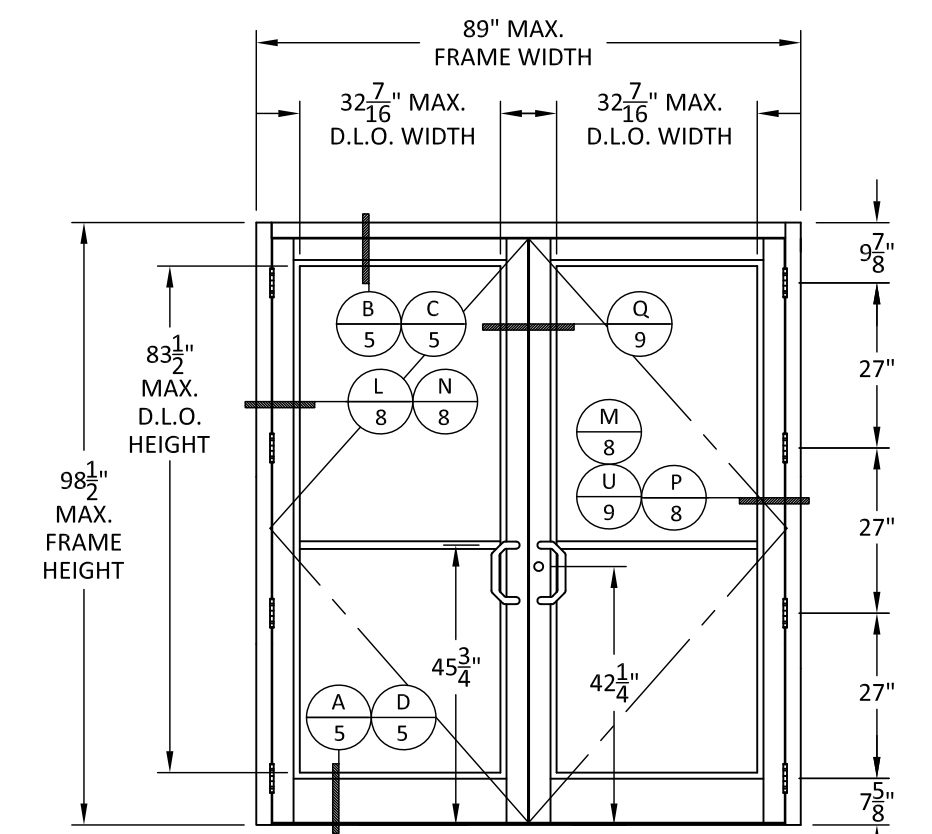
NOTE: MONOLITHIC D.L.O. SHOWN, INSULATING SIMILAR. SEE SHEET 1 FOR MAXIMUM PER GLASS TYPE.



ELEVATION B
RIM PANIC WITH REMOVABLE MULLION



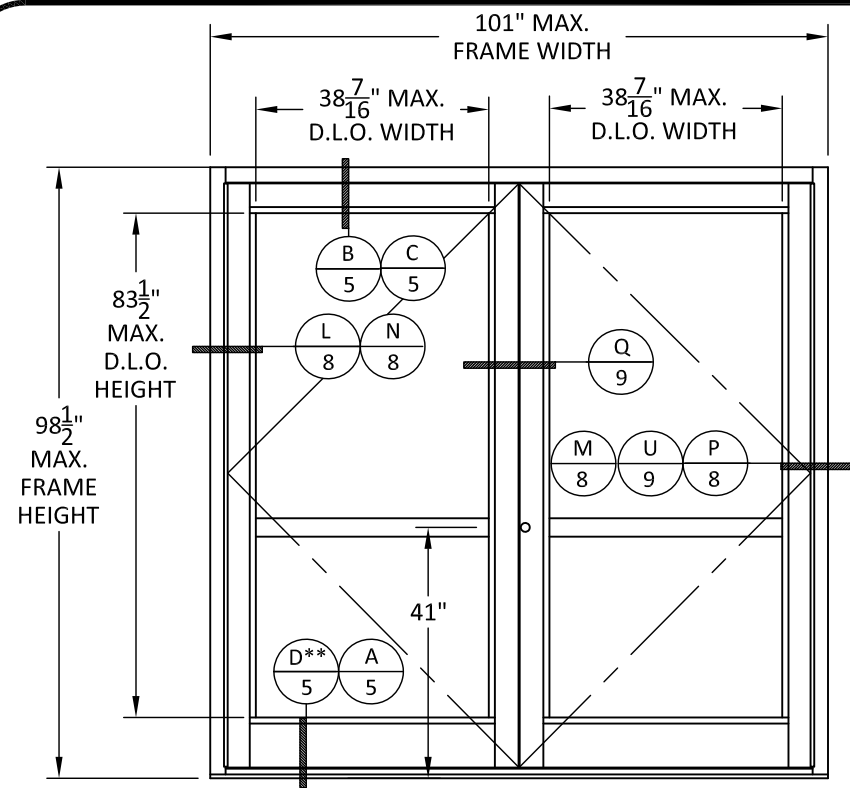
ELEVATION D
CONCEALED VERTICAL ROD



ELEVATION C
SINGLE POINT WITH FLUSHBOLTS

s:\projects\ykk_ap_america, inc.\tdr-21-0933 - tdr submittal - revision (35h - aluminum outswing entrance door & 50h - aluminum outswing entrance door)\dwg\ykk284.dwg 11/9/2021 11:11 AM

11/9/2021 11:11 AM
s:\projects\ykk.ap.america, inc.\tdr-21-0933 - tdr submittal - revision (35h) - aluminum outswing entrance door & 50h - aluminum outswing entrance door\dwg\ykk284.dwg



ELEVATION E
CVR EXIT DEVICE

ELEVATION E	
QUALIFIED LOCKING HARDWARE	DESIGN PRESSURE
SARGENT 8400 CVR EXIT DEVICE	+/- 90 PSF
ADAMS RITE EX 76 CVR EXIT DEVICE	
FIRST CHOICE 3690 CVR EXIT DEVICE	
FALCON DOR-O-MATIC 1490 CVR EXIT DEVICE	+70/- 90 PSF
FALCON DOR-O-MATIC 1690 CVR EXIT DEVICE	

ELEVATION F	
QUALIFIED LOCKING HARDWARE	DESIGN PRESSURE
FALCON DOR-O-MATIC 2390 MID-PANEL EXIT DEVICE	+ 70/- 90 PSF

NOTES:
 1) WHEN AIR/WATER THRESHOLD IS UTILIZED, MAX. DOOR FRAME HEIGHT MAY INCREASE TO 99-7/8". SEE DETAIL D, PAGE 5 AND DETAIL K, PAGE 7.
 2) SINGLE AND DOUBLE DOORS ARE QUALIFIED SUCH THAT SINGLE DOOR UTILIZES HARDWARE FROM ACTIVE DOOR PANEL.
 3) ADDITIONAL QUALIFIED PANEL CONFIGURATIONS CAN BE FOUND ON PAGE 4.
 4) SEE SHEET 7 DESIGN PRESSURE LIMITATIONS BASED ON WATER INFILTRATION REQUIREMENTS.

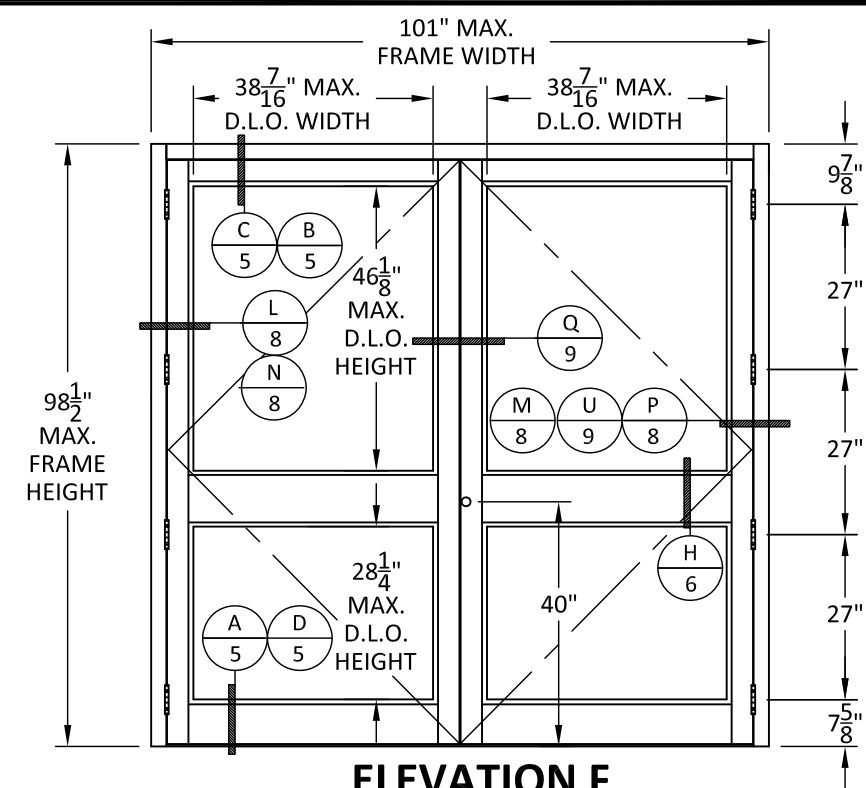
****NOTE:** AIR TIGHT THRESHOLD (ITEM #13) MAY BE USED IN LIEU OF AIR/WATER THRESHOLD WHEN UTILIZED WITH CONCEALED VERTICAL ROD DEVICES

NOTE: MONOLITHIC D.L.O. SHOWN, INSULATING SIMILAR. SEE SHEET 1 FOR MAXIMUM PER GLASS TYPE.

ELEVATION G	
QUALIFIED LOCKING HARDWARE	DESIGN PRESSURE
SEE ELEVATIONS A-F & I FOR ALLOWABLE LOCKING HARDWARE SYSTEMS.	*NOT TO EXCEED +70/-90 PSF

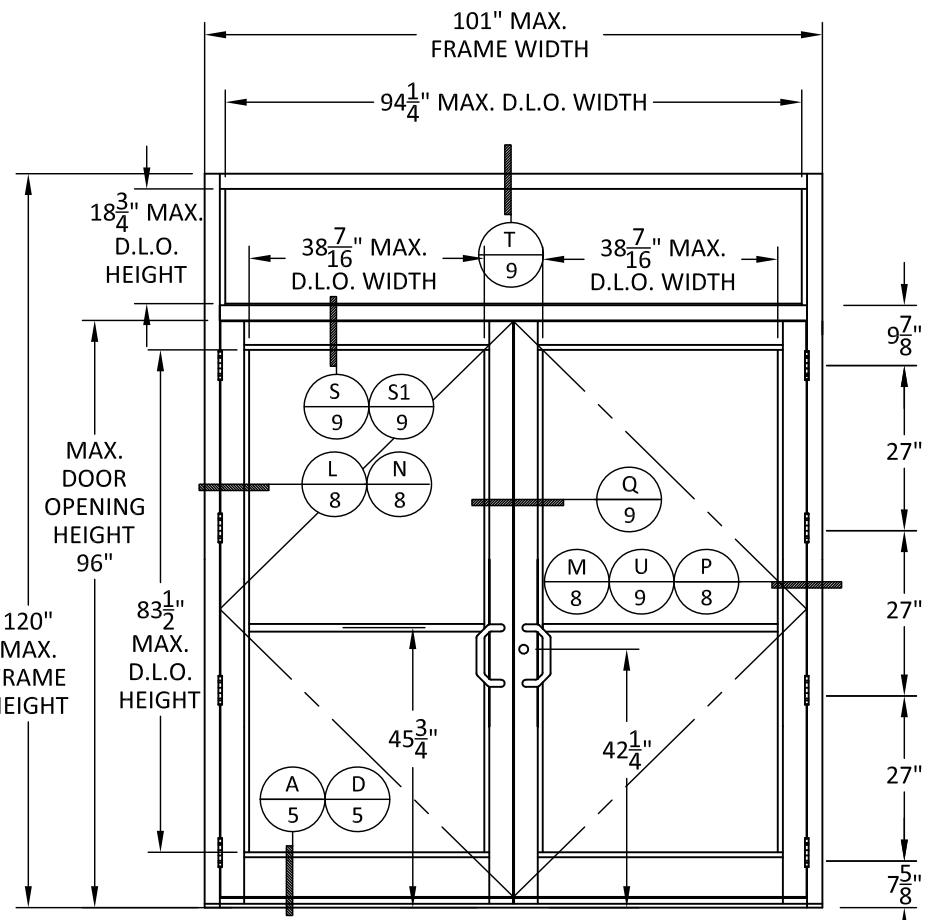
- *ELEVATION G NOTES:**
- FOR TRANSOM MULLION DETAIL S/9.
 - MAX. DESIGN PRESSURE NOT TO EXCEED +70/-65 PSF WHEN MONO-LAMI GLAZINGS ARE UTILIZED (MULL ITEM# 51).
 - DESIGN PRESSURE NOT TO EXCEED +70/-70 PSF WHEN INSULATED LAMINATED GLAZINGS ARE UTILIZED (MULL ITEM# 52).
 - LESSER DESIGN PRESSURE OF THOSE STATED ABOVE (1.A & 1.B) OR THOSE FOUND ON SHEET 1 SHALL GOVERN.
 - FOR TRANSOM MULLION DETAIL S1/9.
 - MAX. DESIGN PRESSURE NOT TO EXCEED +70/-70 PSF WHEN MONO-LAMI GLAZINGS ARE UTILIZED (MULL ITEM# 12).
 - DESIGN PRESSURE NOT TO EXCEED +70/-90 PSF WHEN INSULATED LAMINATED GLAZINGS ARE UTILIZED (MULL ITEM# 62).
 - LESSER DESIGN PRESSURE OF THOSE STATED ABOVE (2.A & 2.B) OR THOSE FOUND ON SHEET 1 SHALL GOVERN.
 - LESSER DESIGN PRESSURE OF THAT SHOWN IN TABLE ABOVE, OR THAT INDICATED IN CORRESPONDING TABLE FOR HARDWARE SHALL GOVERN.
 - MAX. DOOR SIZES FOR A GIVEN HARDWARE AS INDICATED IN ELEVATIONS A-F & I SHALL GOVERN MAX. SIZE OF ASSEMBLY. ASSEMBLY IS TO NOT EXCEED DIMENSIONS AS SHOWN IN ELEVATION G.

ELEVATION H	
QUALIFIED LOCKING HARDWARE	DESIGN PRESSURE
ADAMS RITE MS 1850 WITH MS 4015 AND MS 4016 TOP AND BOTTOM BOLTS.	+90/-90 PSF
ADAMS RITE MS 1880.	+90/-90 PSF

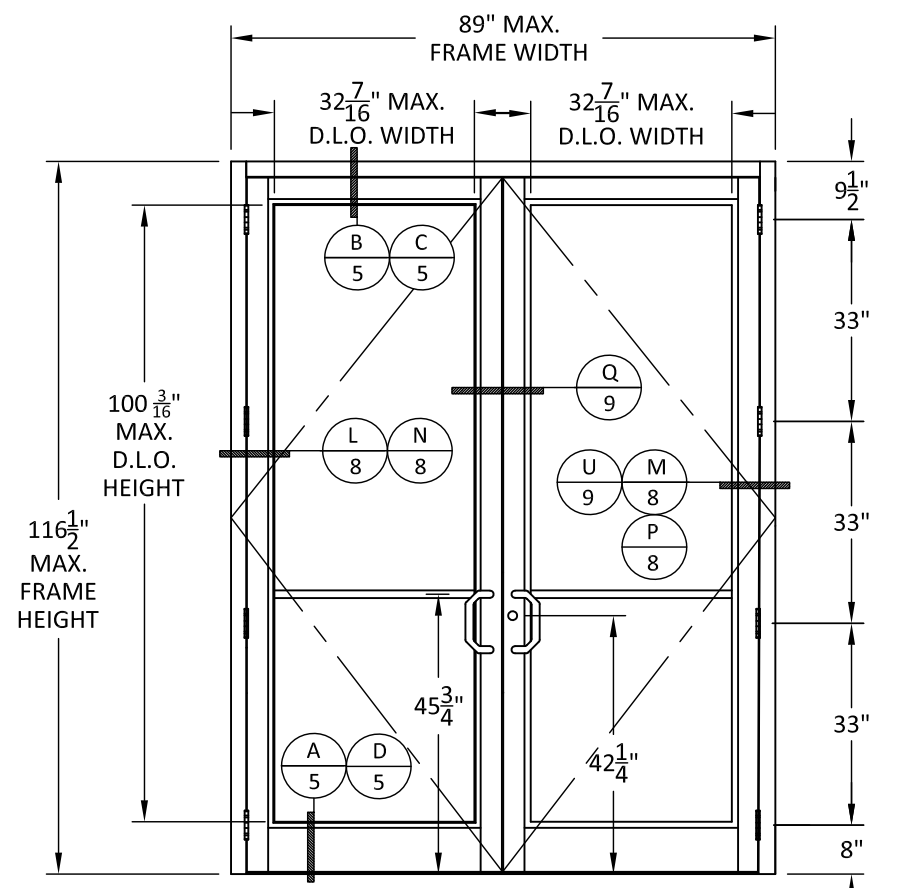


ELEVATION F
MID-PANEL EXIT DEVICE

NOTE: HARDWARE FABRICATION LOCATION ON ELEVATION F IS 40" FROM BOTTOM OF DOOR REGARDLESS OF WHICH THRESHOLD IS USED.



ELEVATION G
DOUBLE DOOR WITH TRANSOM



ELEVATION H
STANDARD 5-POINT LOCK



YKK AP America Inc.
 1229 HWY 441 BYPASS
 DUBLIN, GEORGIA 31021
 PH: (478)277-1955 FAX: (678)838-6001

TITLE: SERIES 35H ALUMINUM OUTSWING ENTRANCE DOOR (IMPACT) ELEVATIONS 2

PREPARED BY: BUILDING DROPS, INC.
 398 E. DANIA BEACH BLVD., STE. 338
 DANIA BEACH, FL 33004
 PH: (954)399-8478
 FAX: (954)744-4738
 WEB: www.buildingdrops.com

REMARKS	BY	DATE

THE INSTALLATION DETAILS DESCRIBED HEREIN ARE GENERIC AND MAY NOT REFLECT ACTUAL CONDITIONS FOR A SPECIFIC SITE. IF SITE CONDITIONS CAUSE INSTALLATION TO DEVIATE FROM THE REQUIREMENTS DETAILED HEREIN, A LICENSED ENGINEER OR ARCHITECT SHALL PREPARE SITE SPECIFIC DOCUMENTS FOR USE WITH THIS DOCUMENT.



HERMES F. NORERO, P.E.
 TEXAS P.E. No. 118471
 BUILDING DROPS, INC
 398 E. DANIA BEACH BLVD. # 338
 DANIA BEACH, FL 33004
 TBPE FIRM No. 13734

DATE:	10.21.21
DWG. BY:	MS
CHK. BY:	HFN
SCALE:	NTS
DWG. #:	YKK284
SHEET:	3

ELEVATION I	
QUALIFIED LOCKING HARDWARE	DESIGN PRESSURE
VON DUPRIN 3347 CONCEALED VERTICAL ROD	+70 / -48 PSF

ELEVATION J	
QUALIFIED LOCKING HARDWARE	DESIGN PRESSURE
SEE ELEVATIONS A-F & I FOR ALLOWABLE LOCKING HARDWARE SYSTEMS	NOT TO EXCEED +70/-90 PSF

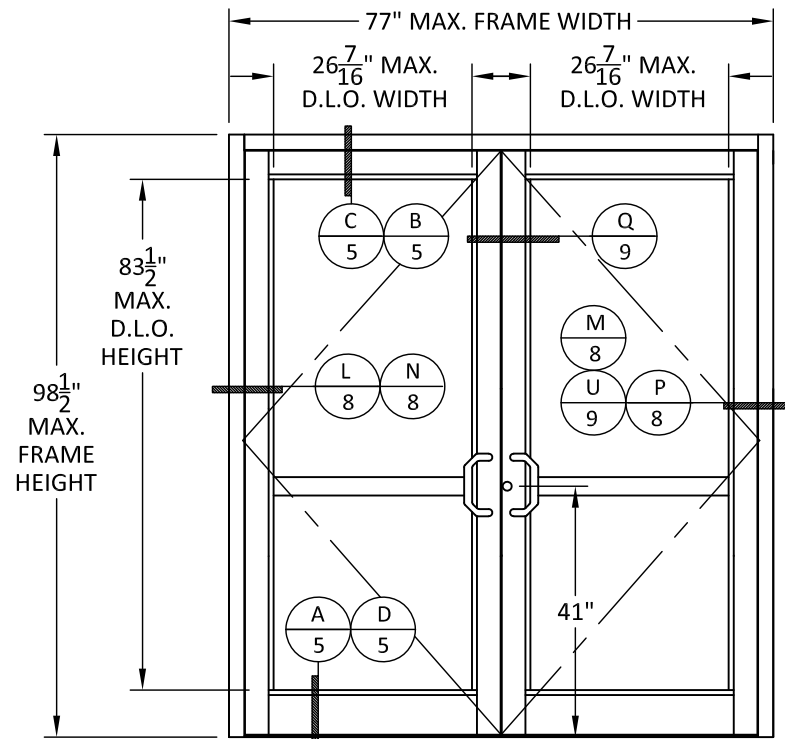
ELEVATION K	
QUALIFIED LOCKING HARDWARE	DESIGN PRESSURE
SARGENT 8500 RIM PANIC WITH REMOVABLE MULLION	+/- 47 PSF
VON DUPRIN 98 / 99 SERIES RIM PANIC WITH REMOVABLE MULLION	+/- 39.7 PSF
VON DUPRIN 33A / 35A SERIES RIM PANIC WITH REMOVABLE MULLION	
SARGENT 8500 RIM PANIC WITH REMOVABLE MULLION	+/- 47.7 PSF
CORBIN RUSSWIN ED4200 RIM EXIT DEVICE WITH REMOVABLE MULLION	
YALE 7250M EXIT DEVICE WITH REMOVABLE MULLION	

ELEVATION L	
QUALIFIED LOCKING HARDWARE	DESIGN PRESSURE
SARGENT 8500 RIM PANIC WITH REMOVABLE MULLION	+/- 53.3 PSF
VON DUPRIN 98 / 99 SERIES RIM PANIC WITH REMOVABLE MULLION	+/- 44.4 PSF
VON DUPRIN 33A / 35A SERIES RIM PANIC WITH REMOVABLE MULLION	
SARGENT 8500 RIM PANIC WITH REMOVABLE MULLION	+/- 53.3 PSF
CORBIN RUSSWIN ED4200 RIM EXIT DEVICE WITH REMOVABLE MULLION	
YALE 7250M EXIT DEVICE WITH REMOVABLE MULLION	

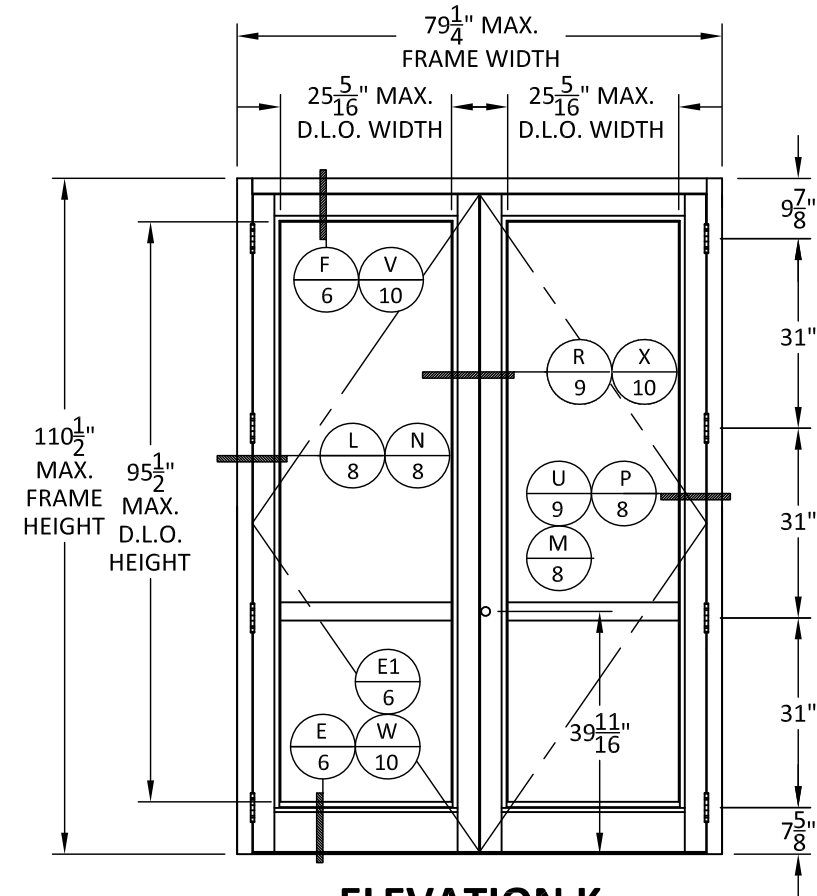
- NOTES:
 1) WHEN AIR/WATER THRESHOLD IS UTILIZED, MAX. DOOR FRAME HEIGHT MAY INCREASE TO 99'-7/8". SEE DETAIL D, PAGE 5 AND DETAIL K, PAGE 7.
 2) SINGLE AND DOUBLE DOORS ARE QUALIFIED SUCH THAT SINGLE DOOR UTILIZES HARDWARE FROM ACTIVE DOOR PANEL.
 3) ADDITIONAL QUALIFIED PANEL CONFIGURATIONS CAN BE FOUND ON PAGE 4.
 4) SEE SHEET 7 DESIGN PRESSURE LIMITATIONS BASED ON WATER INFILTRATION REQUIREMENTS.

**NOTE: AIR TIGHT THRESHOLD (ITEM #13) MAY BE USED IN LIEU OF AIR/WATER THRESHOLD WHEN UTILIZED WITH CONCEALED VERTICAL ROD DEVICES

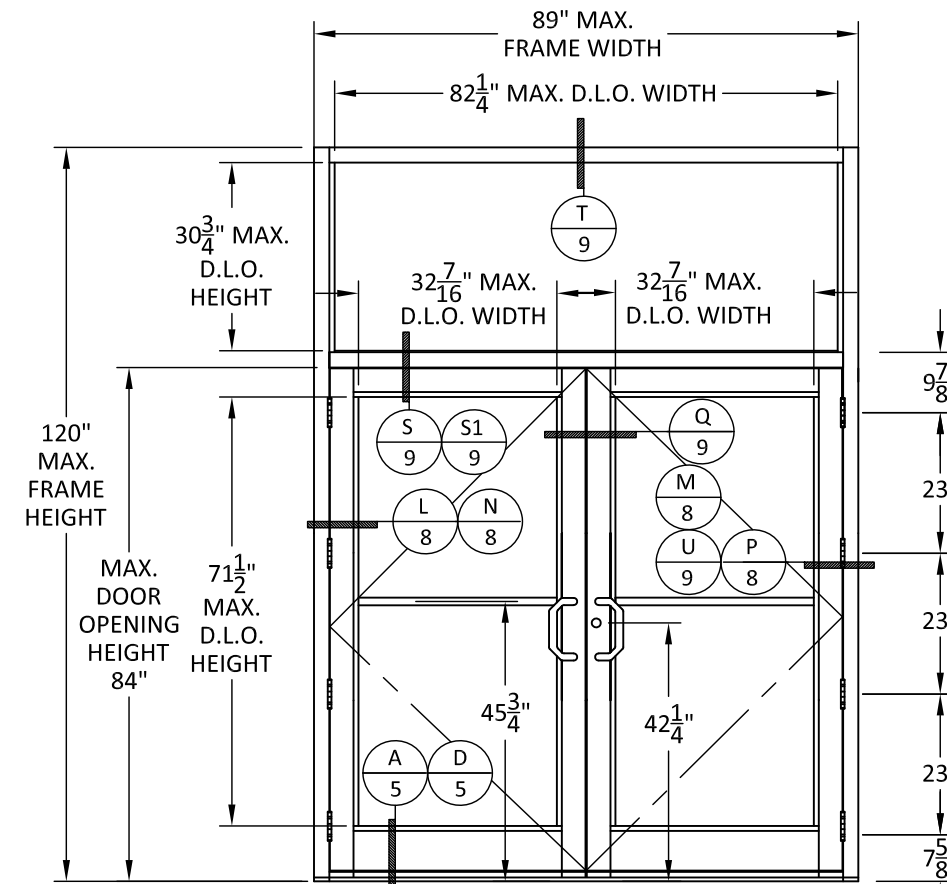
NOTE:
 MONOLITHIC D.L.O. SHOWN, INSULATING SIMILAR. SEE SHEET 1 FOR MAXIMUM PER GLASS TYPE.



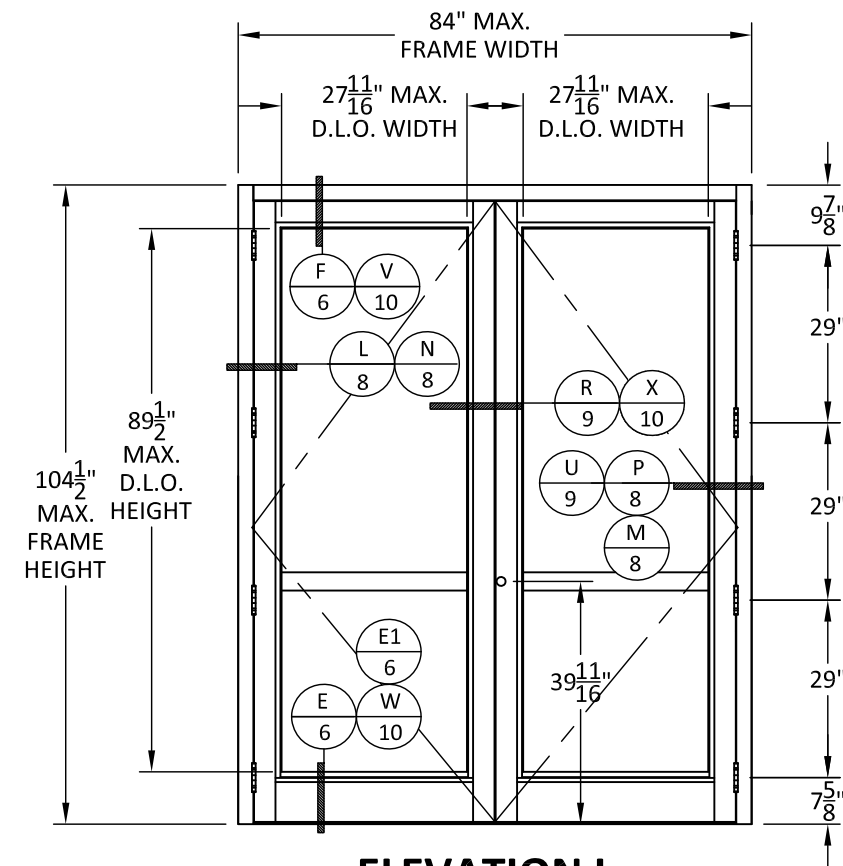
ELEVATION I
 CVR EXIT DEVICE



ELEVATION K
 RIM PANIC WITH REMOVABLE MULLION



ELEVATION J
 DOUBLE DOOR WITH TRANSOM



ELEVATION L
 RIM PANIC WITH REMOVABLE MULLION



YKK AP America Inc.
 1229 HWY 441 BYPASS
 DUBLIN, GEORGIA 31021
 PH: (478)277-1955 FAX: (678)838-6001

TITLE: SERIES 35H ALUMINUM OUTSWING ENTRANCE DOOR (IMPACT) ELEVATIONS 3
 PREPARED BY: BUILDING DROPS, INC.
 398 E. DANIA BEACH BLVD., STE. 338
 DANIA BEACH, FL 33004
 PH: (954)399-8478
 FAX: (954)744-4738
 WEB: www.buildingdrops.com

REMARKS	BY	DATE

THE INSTALLATION DETAILS DESCRIBED HEREIN ARE GENERIC AND MAY NOT REFLECT ACTUAL CONDITIONS FOR A SPECIFIC SITE. IF SITE CONDITIONS CAUSE INSTALLATION TO DEVIATE FROM THE REQUIREMENTS DETAILED HEREIN, A LICENSED ENGINEER OR ARCHITECT SHALL PREPARE SITE SPECIFIC DOCUMENTS FOR USE WITH THIS DOCUMENT.



HERMES F. NORERO, P.E.
 TEXAS P.E. No. 118471
 BUILDING DROPS, INC
 398 E. DANIA BEACH BLVD. # 338
 DANIA BEACH, FL 33004
 TBPE FIRM No. 13734

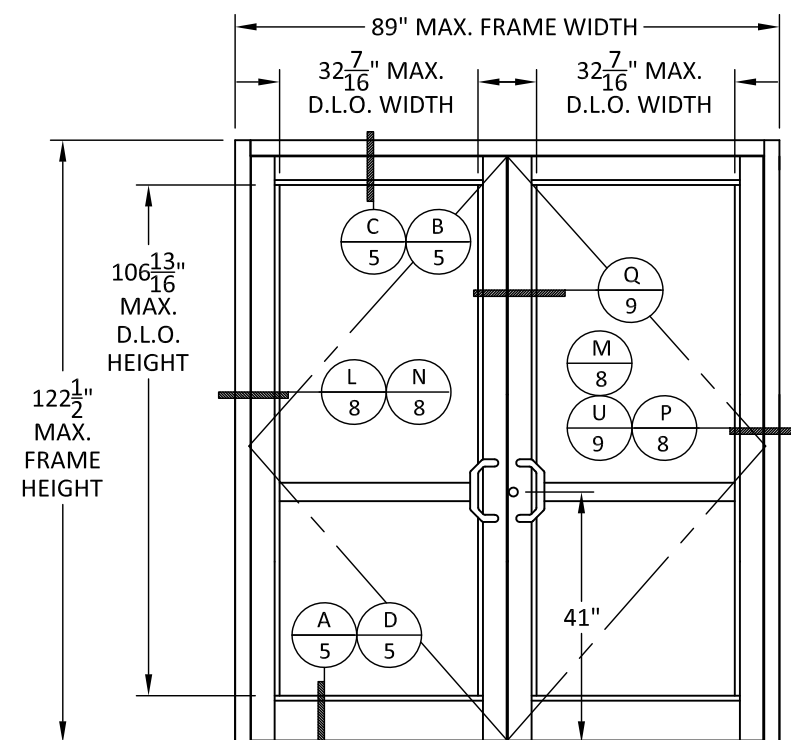
DATE:	10.21.21
DWG. BY:	MS
CHK. BY:	HFN
SCALE:	NTS
DWG. #:	YKK284
SHEET:	3.1



YKK AP America Inc.
 1229 HWY 441 BYPASS
 DUBLIN, GEORGIA 31021
 PH: (478)277-1955 FAX: (678)838-6001

TITLE: SERIES 35H ALUMINUM OUTSWING
 ENTRANCE DOOR
 (IMPACT)
 ELEVATIONS 4

PREPARED BY:
BUILDING DROPS, INC.
 398 E. DANIA BEACH BLVD., STE. 338
 DANIA BEACH, FL 33004
 PH: (954)399-8478
 FAX: (954)744-4738
 WEB: www.buildingdrops.com



ELEVATION M
CVR EXIT DEVICE

ELEVATION M	
QUALIFIED LOCKING HARDWARE	DESIGN PRESSURE
ADAMS RITE EX 76 CVR EXIT DEVICE	+/- 75 PSF

NOTES:
 1) SINGLE AND DOUBLE DOORS ARE QUALIFIED SUCH THAT SINGLE DOOR UTILIZES HARDWARE FROM ACTIVE DOOR PANEL.
 2) ADDITIONAL QUALIFIED PANEL CONFIGURATIONS CAN BE FOUND ON PAGE 4.
 3) SEE SHEET 7 DESIGN PRESSURE LIMITATIONS BASED ON WATER INFILTRATION REQUIREMENTS.

****NOTE:** AIR TIGHT THRESHOLD (ITEM #13) MAY BE USED IN LIEU OF AIR/WATER THRESHOLD WHEN UTILIZED WITH CONCEALED VERTICAL ROD DEVICES

NOTE:
 MONOLITHIC D.L.O. SHOWN, INSULATING SIMILAR. SEE SHEET 1 FOR MAXIMUM PER GLASS TYPE.

THE INSTALLATION DETAILS DESCRIBED HEREIN ARE GENERIC AND MAY NOT REFLECT ACTUAL CONDITIONS FOR A SPECIFIC SITE. IF SITE CONDITIONS CAUSE INSTALLATION TO DEVIATE FROM THE REQUIREMENTS DETAILED HEREIN, A LICENSED ENGINEER OR ARCHITECT SHALL PREPARE SITE SPECIFIC DOCUMENTS FOR USE WITH THIS DOCUMENT.



HERMES F. NORERO, P.E.
 TEXAS P.E. No 118471
 BUILDING DROPS, INC
 398 E. DANIA BEACH BLVD. # 338
 DANIA BEACH, FL 33004
 TBPE FIRM No. 13734

DATE: **10.21.21**
 DWG. BY: **MS** CHK. BY: **HFN**
 SCALE: **NTS**
 DWG. #: **YKK284**
 SHEET:

3.2
 [PAGE 5 OF 20]

11/9/2021 11:11 AM s:\projects\ykk_ap_america, inc.\tdi-21-0933 - tdi submittal - revision (35h - aluminum outswing entrance door & 50h - aluminum outswing entrance door)\dwgs\ykk284.dwg

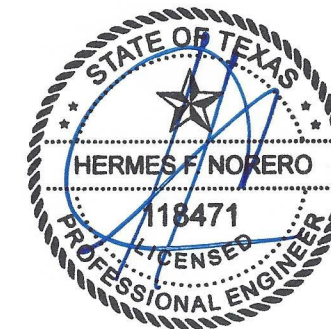
TITLE: SERIES 35H ALUMINUM OUTSWING ENTRANCE DOOR (IMPACT) ANCHOR LAYOUTS & QUALIFIED HINGE ASSEMBLIES

PREPARED BY: **BUILDING DROPS, INC.**
398 E. DANIA BEACH BLVD., STE. 338
DANIA BEACH, FL 33004
PH: (954)399-8478
FAX: (954)744-4738
WEB: www.buildingdrops.com



REMARKS	BY	DATE

THE INSTALLATION DETAILS DESCRIBED HEREIN ARE GENERIC AND MAY NOT REFLECT ACTUAL CONDITIONS FOR A SPECIFIC SITE. IF SITE CONDITIONS CAUSE INSTALLATION TO DEVIATE FROM THE REQUIREMENTS DETAILED HEREIN, A LICENSED ENGINEER OR ARCHITECT SHALL PREPARE SITE SPECIFIC DOCUMENTS FOR USE WITH THIS DOCUMENT.



HERMES F. NORERO, P.E.
TEXAS P.E. No 118471
BUILDING DROPS, INC
398 E. DANIA BEACH BLVD. # 338
DANIA BEACH, FL 33004
TBPE FIRM No. 13734

DATE: 10.21.21

DWG. BY: MS

CHK. BY: HFN

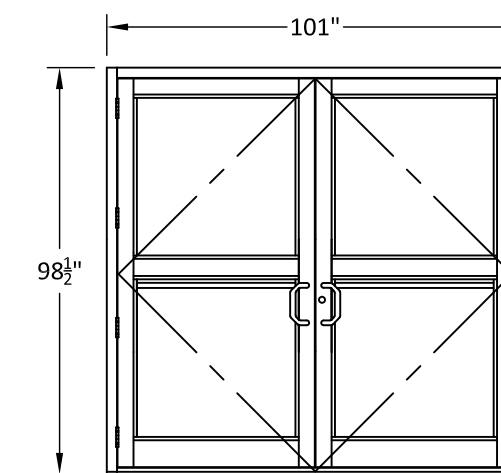
SCALE: NTS

DWG. #: YKK284

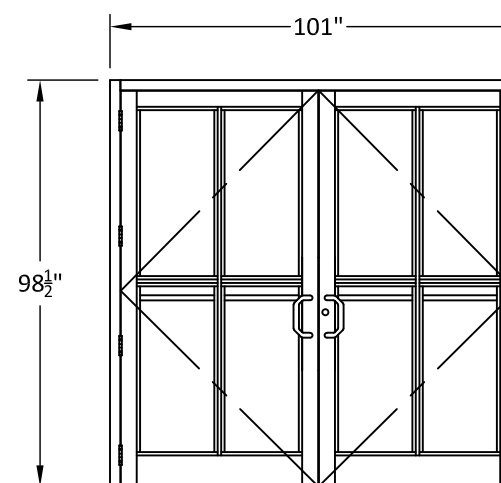
SHEET:

4

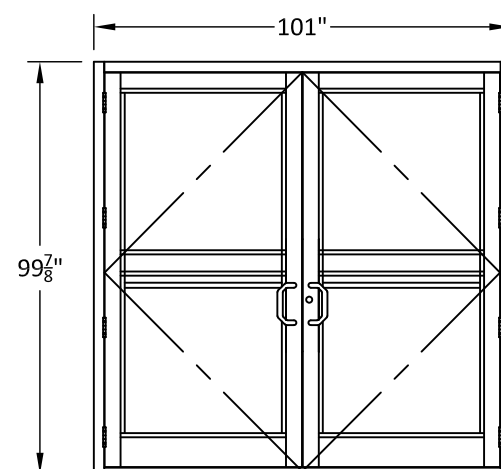
QUALIFIED PANEL CONFIGURATIONS



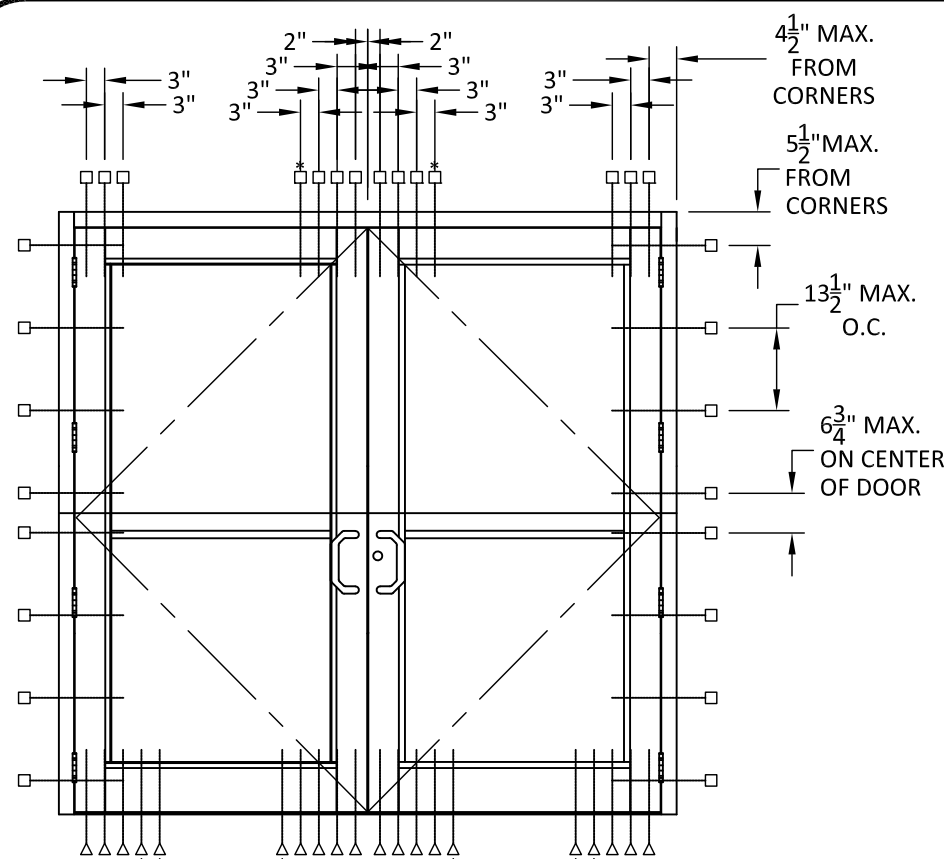
MIDRAILS



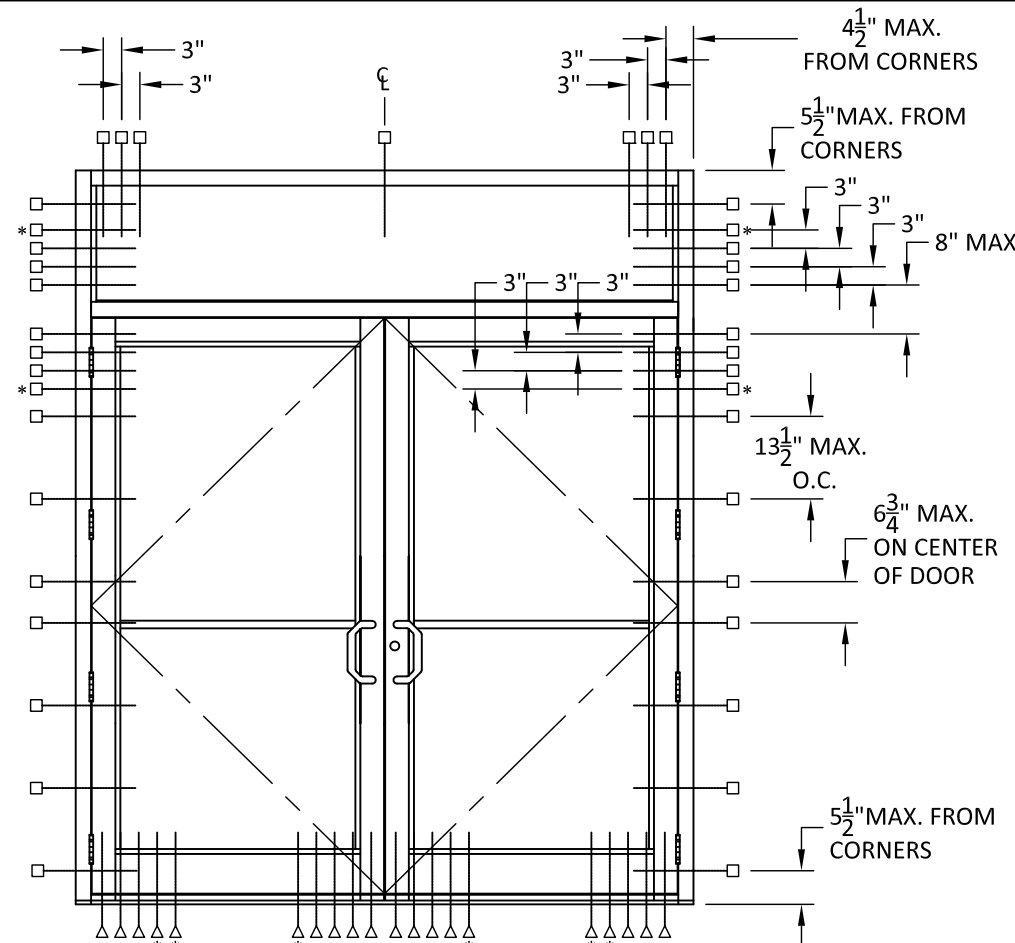
CROSS RAILS



MIDRAILS WITH AIR/WATER THRESHOLD



ANCHOR LAYOUT FOR ELEVATIONS A-F, H, I, K, L & M



ANCHOR LAYOUT FOR ELEVATION G & J

QUALIFIED HINGE ASSEMBLIES

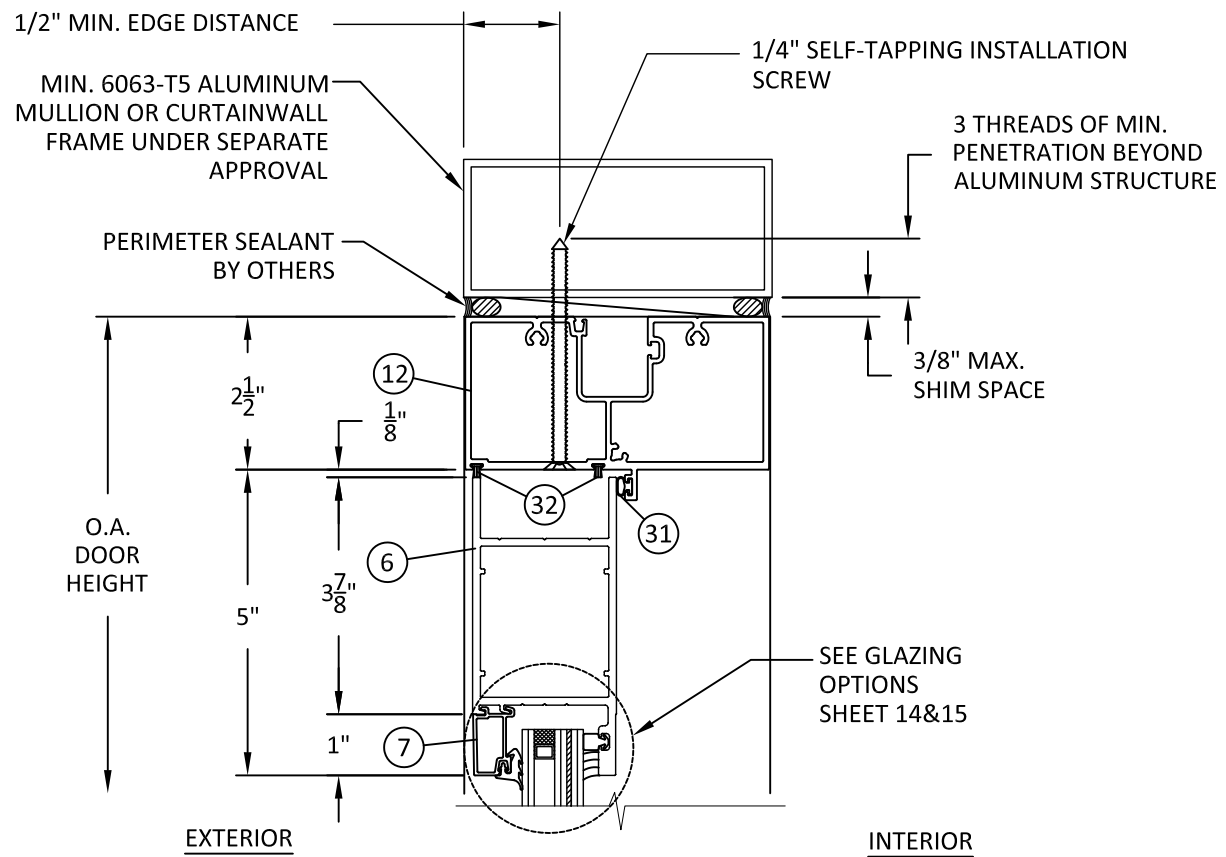
HINGE TYPE	DESCRIPTION	MAX FRAME SIZE	DESIGN PRESSURE
BUTT HINGE	***FOUR (4) HAGER BB1191 BUTT HINGES PER DOOR LEAF	101" x 98 1/2"	+90/-90 PSF
BUTT HINGE	***FOUR (4) HAGER BB1191 BUTT HINGES PER DOOR LEAF	89" x 116 1/2"	+90/-90 PSF
BUTT HINGE	***FOUR (4) MCKINNEY TA2714 BUTT HINGES PER DOOR LEAF	101" x 98 1/2"	+90/-90 PSF
CONTINUOUS HINGE	ONE (1) ROTON 780-226HD CONTINUOUS GEARED HINGE PER DOOR LEAF	101" x 98 1/2"	+90/-90 PSF
CONTINUOUS HINGE	ONE (1) SELECT 27HD CONTINUOUS GEARED HINGE PER DOOR LEAF	101" x 98 1/2"	+90/-90 PSF
CONTINUOUS HINGE	ONE (1) PEMCO SLI HD CONTINUOUS GEARED HINGE PER DOOR LEAF	89" x 122 1/2"	+75/-75 PSF
PIVOT	RIXSON PIVOT HINGES 180 AT TOP, M-19 AT INTERMEDIATE, & 147 AT BOTTOM	101" x 98 1/2"	+90/-90 PSF

***NOTE: IF DOOR HEIGHT IS LESS THAN 90" AND DOOR WIDTH IS EQUAL TO OR LESS THAN 36", THEN ONE INTERMEDIATE BUTT HINGE AT MIDSPAN IS REQUIRED BETWEEN TOP & BOTTOM BUTT HINGES

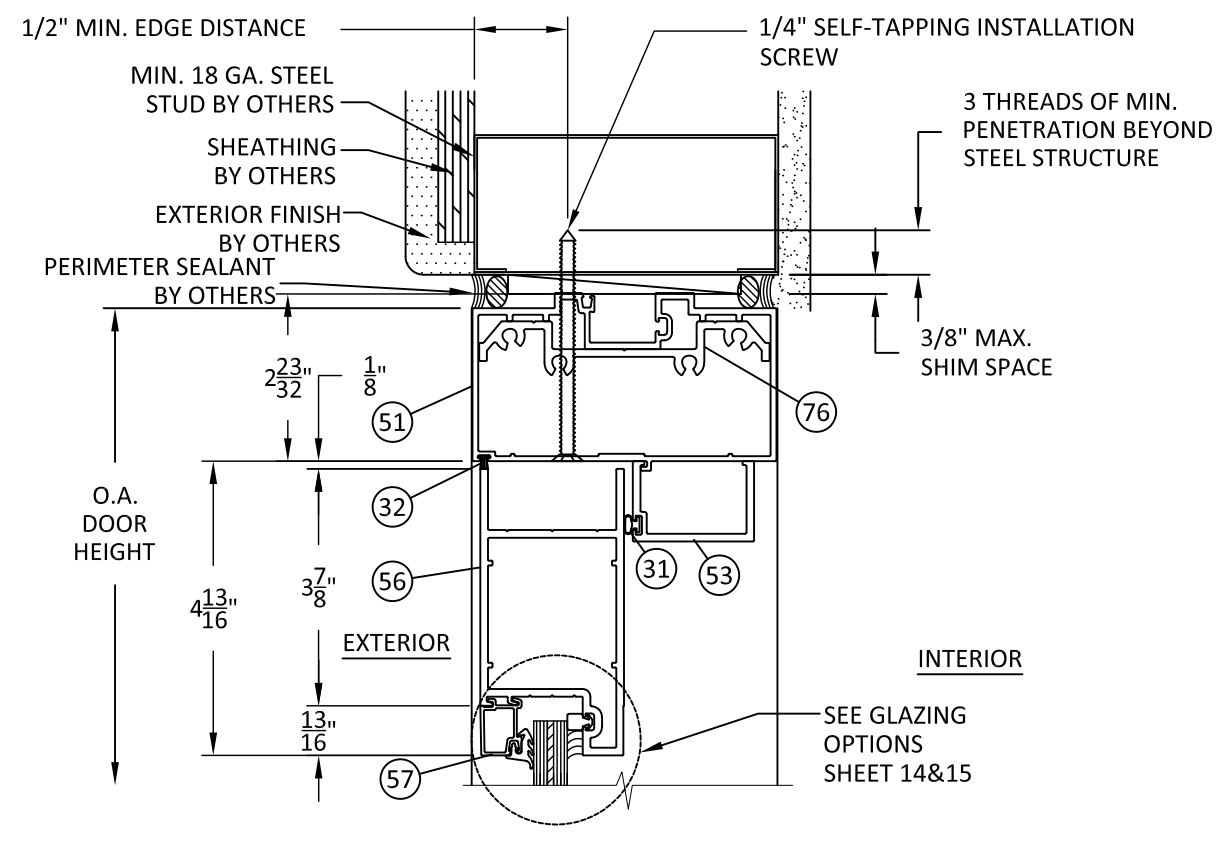
*MARKED ANCHORS ARE NOT REQUIRED AT HEAD AND SILL FOR DESIGN PRESSURES OF +/- 60 PSF OR LESS.

11/9/2021 11:11 AM

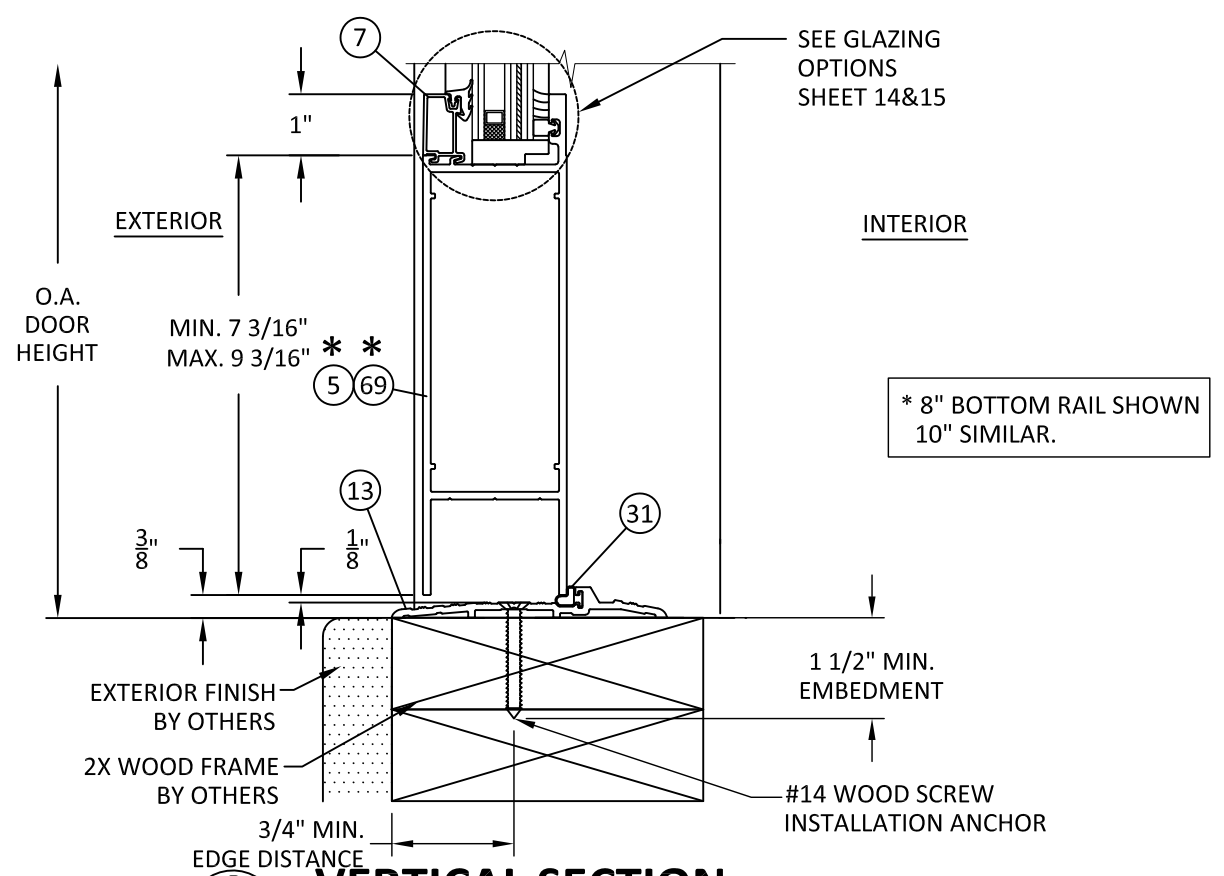
s:\projects\ykk.ap.america, inc.\tdi-21-0933 - tdi submittal - revision (35h - aluminum outswing entrance door & 50h - aluminum outswing entrance door)\dwgs\ykk284.dwg



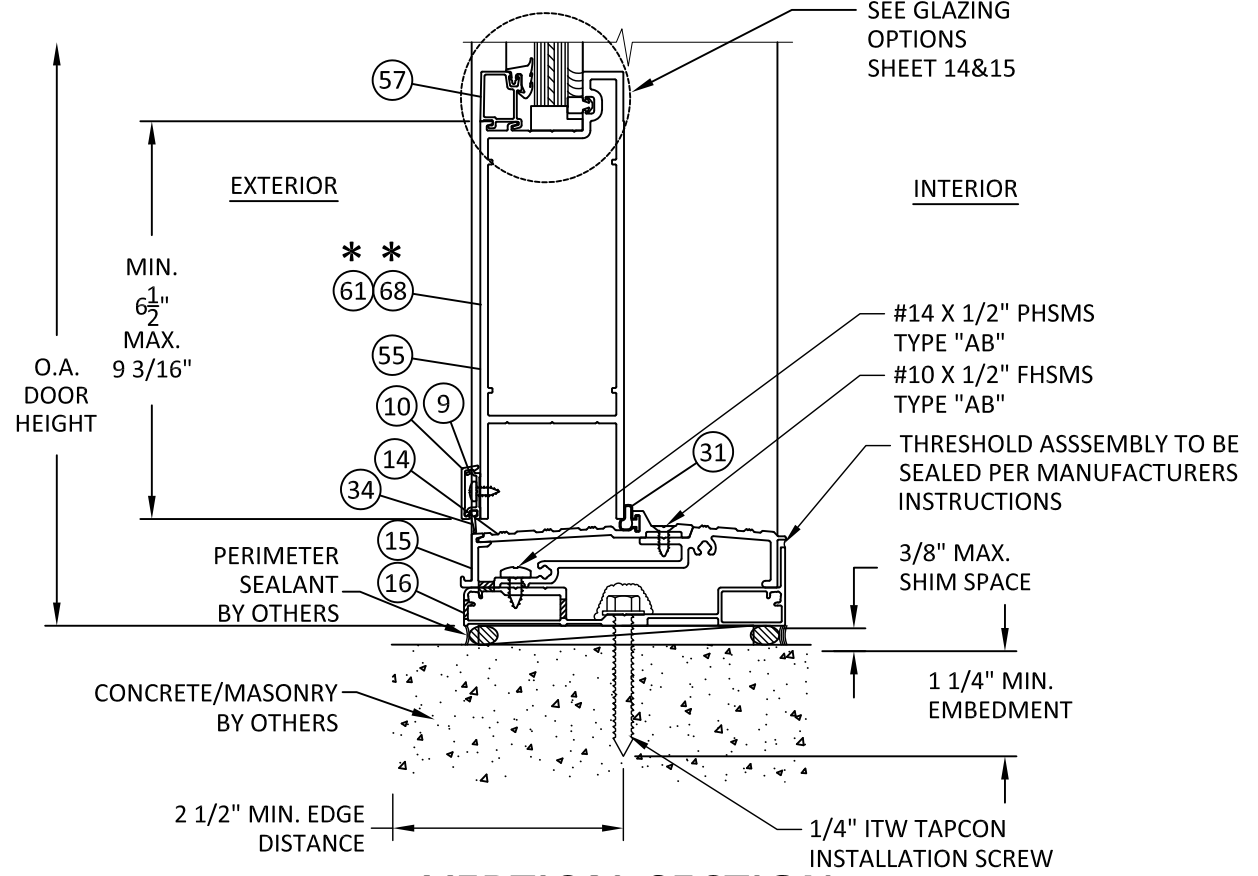
B
5 VERTICAL SECTION
HEAD - ALUMINUM MULLION



C
5 VERTICAL SECTION
OHCC HEAD (OPTIONAL) - STEEL STUD



A
5 VERTICAL SECTION
SILL - 2X WOOD FRAME
AIR RESISTANT THRESHOLD



D
5 VERTICAL SECTION
SILL - CONCRETE/MASONRY
AIR + WATER RESISTANT THRESHOLD

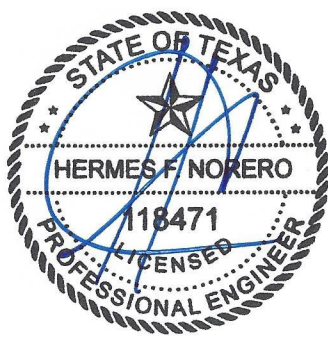


YKK AP America Inc.
1229 HWY 441 BYPASS
DUBLIN, GEORGIA 31021
PH: (478)277-1955 FAX: (678)838-6001

TITLE: SERIES 35H ALUMINUM OUTSWING ENTRANCE DOOR (IMPACT) VERTICAL SECTIONS 1
PREPARED BY: BUILDING DROPS, INC.
398 E. DANIA BEACH BLVD., STE. 338
DANIA BEACH, FL 33004
PH: (954)399-8478
FAX: (954)744-4738
WEB: www.buildingdrops.com

REMARKS	BY	DATE

THE INSTALLATION DETAILS DESCRIBED HEREIN ARE GENERIC AND MAY NOT REFLECT ACTUAL CONDITIONS FOR A SPECIFIC SITE. IF SITE CONDITIONS CAUSE INSTALLATION TO DEVIATE FROM THE REQUIREMENTS DETAILED HEREIN, A LICENSED ENGINEER OR ARCHITECT SHALL PREPARE SITE SPECIFIC DOCUMENTS FOR USE WITH THIS DOCUMENT.



HERMES F. NORERO, P.E.
TEXAS P.E. No. 118471
BUILDING DROPS, INC
398 E. DANIA BEACH BLVD. # 338
DANIA BEACH, FL 33004
TBPE FIRM No. 13734

DATE: 10.21.21
DWG. BY: MS
CHK. BY: HFN
SCALE: NTS
DWG. #: YKK284
SHEET:

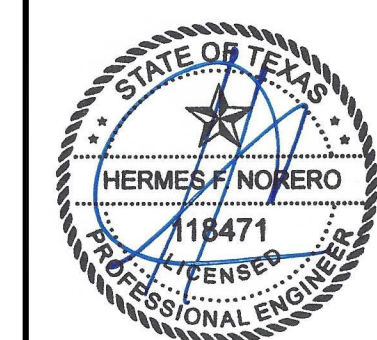
TITLE: SERIES 35H ALUMINUM OUTSWING ENTRANCE DOOR (IMPACT)
VERTICAL SECTIONS 2

PREPARED BY: **BUILDING DROPS, INC.**
398 E. DANIA BEACH BLVD., STE. 338
DANIA BEACH, FL 33004
PH: (954)399-8478
FAX: (954)744-4738
WEB: www.buildingdrops.com



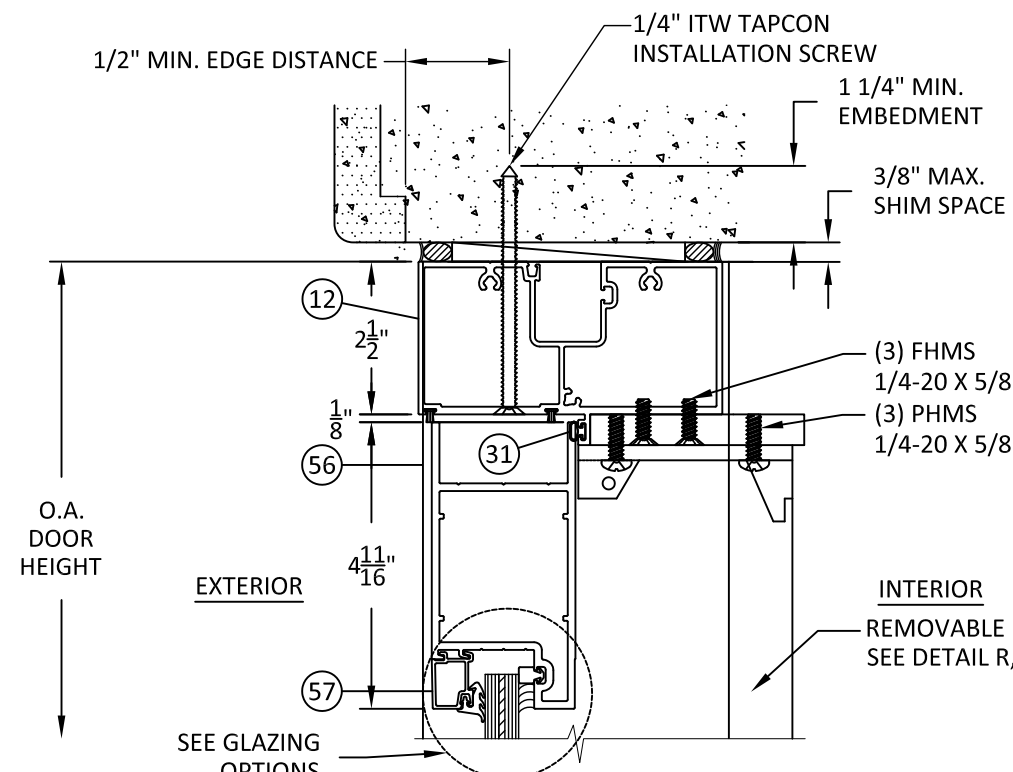
REMARKS	BY	DATE

THE INSTALLATION DETAILS DESCRIBED HEREIN ARE GENERIC AND MAY NOT REFLECT ACTUAL CONDITIONS FOR A SPECIFIC SITE. IF SITE CONDITIONS CAUSE INSTALLATION TO DEVIATE FROM THE REQUIREMENTS DETAILED HEREIN, A LICENSED ENGINEER OR ARCHITECT SHALL PREPARE SITE SPECIFIC DOCUMENTS FOR USE WITH THIS DOCUMENT.

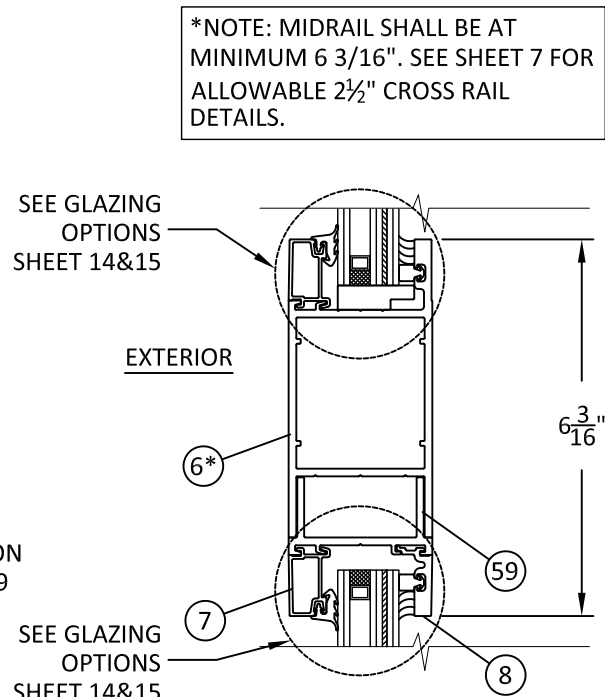


HERMES F. NORERO, P.E.
TEXAS P.E. No. 118471
BUILDING DROPS, INC.
398 E. DANIA BEACH BLVD. # 338
DANIA BEACH, FL 33004
TBPE FIRM No. 13734

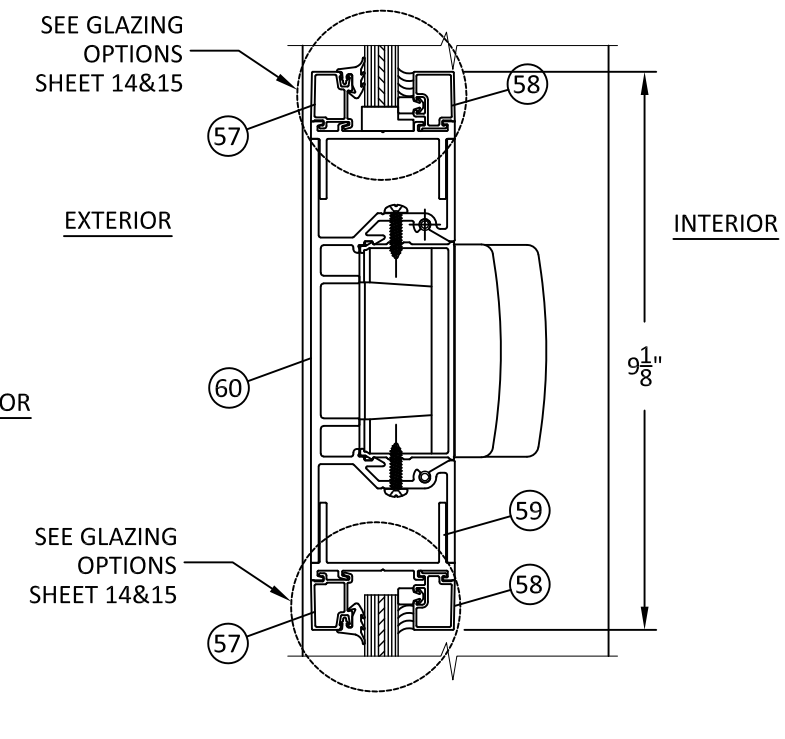
DATE:	10.21.21
DWG. BY:	MS
CHK. BY:	HFN
SCALE:	NTS
DWG. #:	YKK284
SHEET:	6



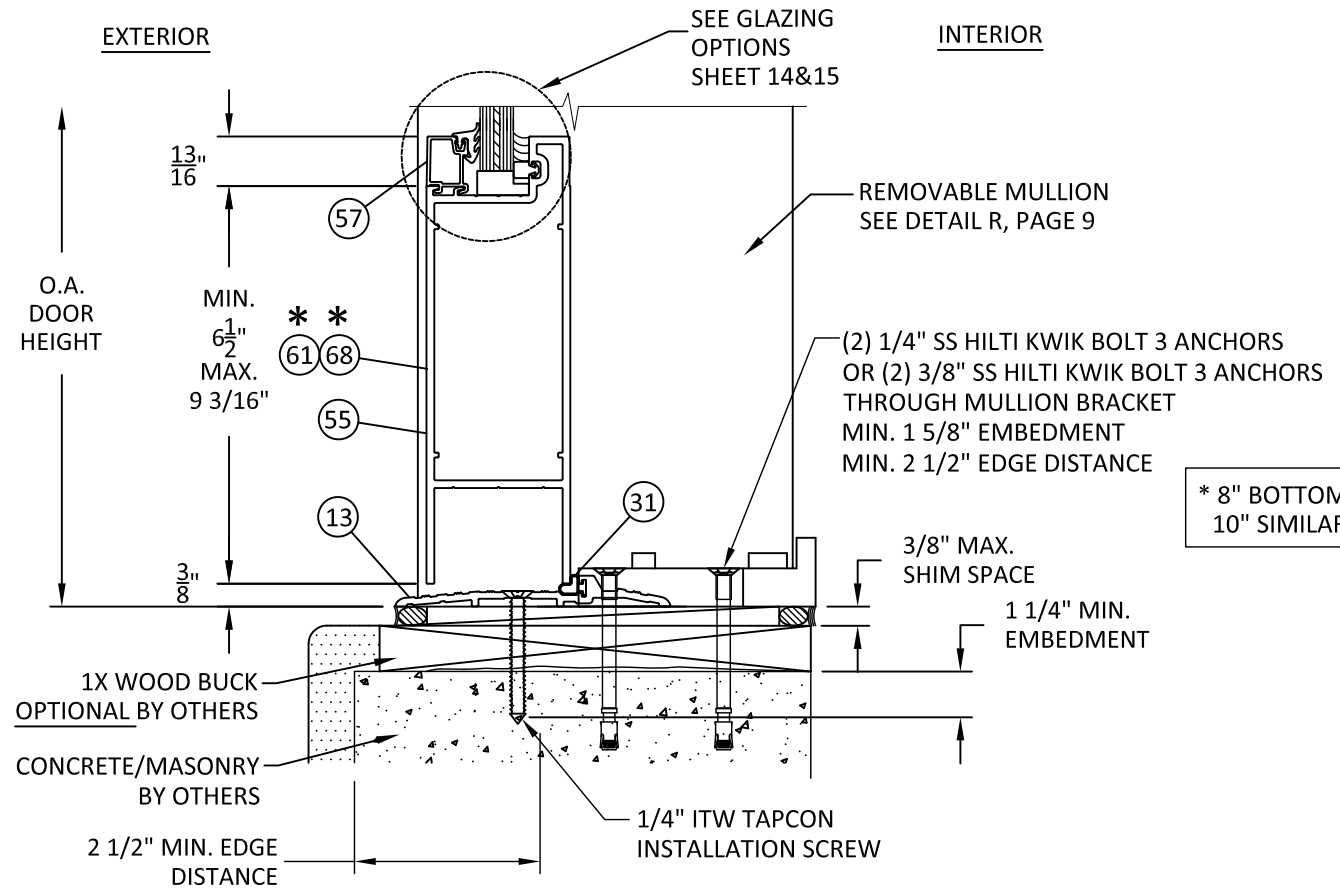
F
6 VERTICAL SECTION
HEAD - CONCRETE/MASONRY
REMOVABLE MULLION



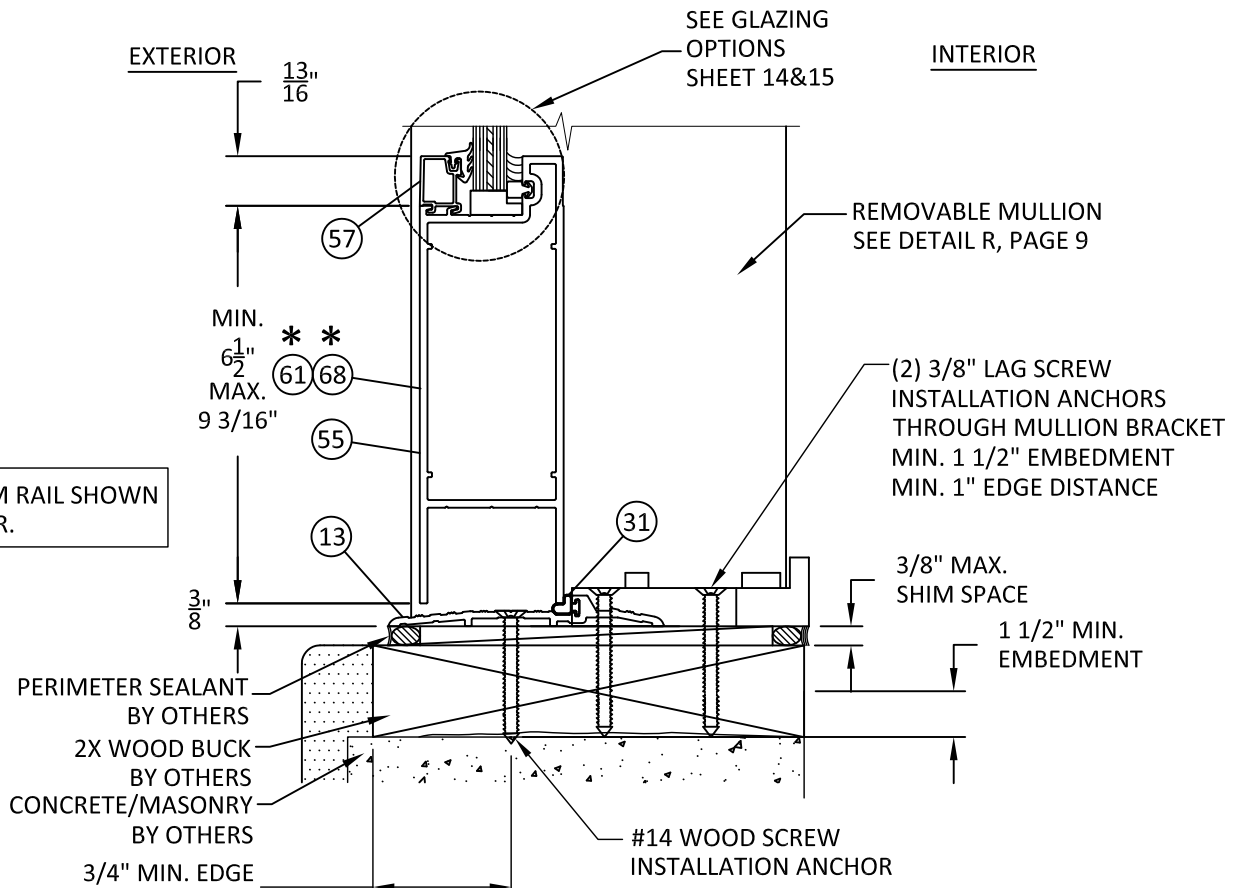
G
6 VERTICAL SECTION
6" MIDRAIL



H
6 VERTICAL SECTION
MID-PANEL EXIT DEVICE
PANIC MIDRAIL



E
6 VERTICAL SECTION
SILL - CONCRETE/MASONRY
REMOVABLE MULLION



E1
6 VERTICAL SECTION
SILL - 2X WOOD BUCK
REMOVABLE MULLION

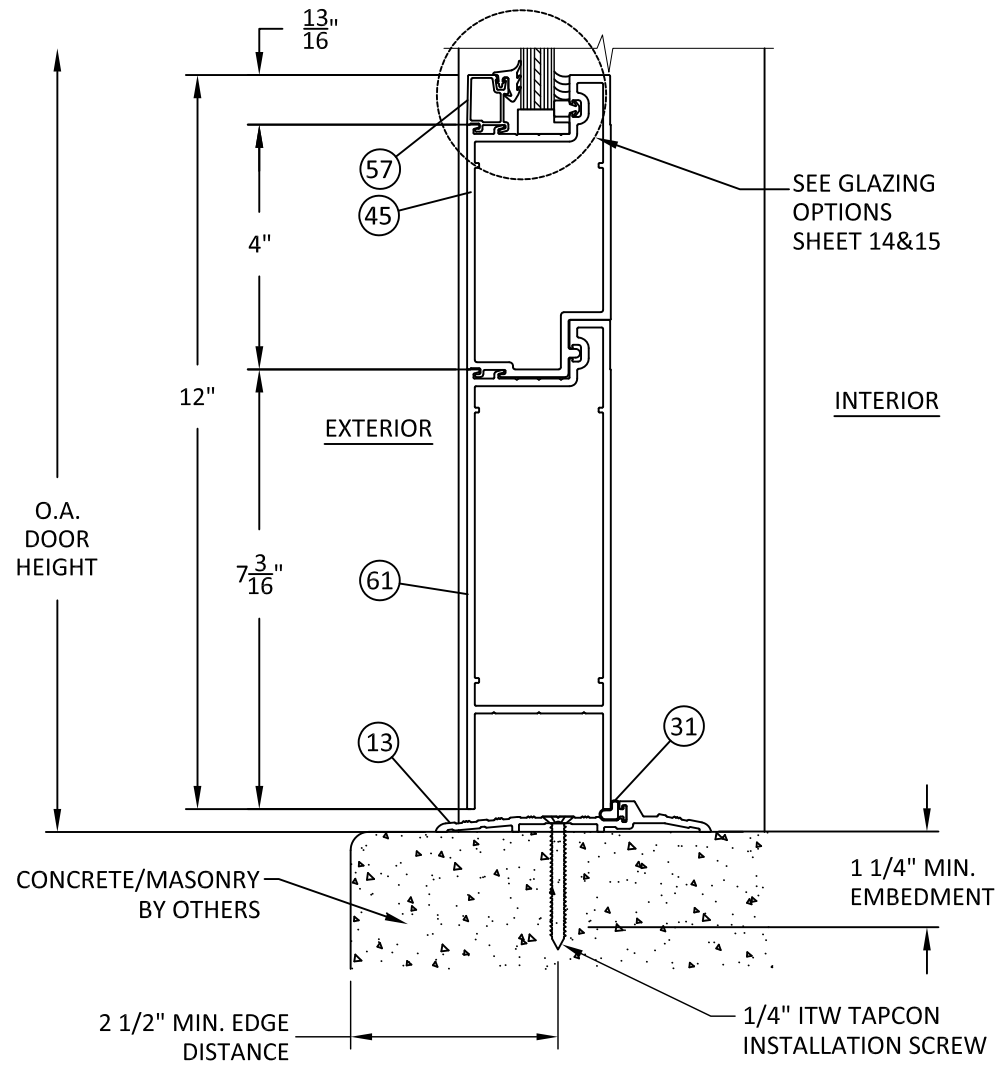
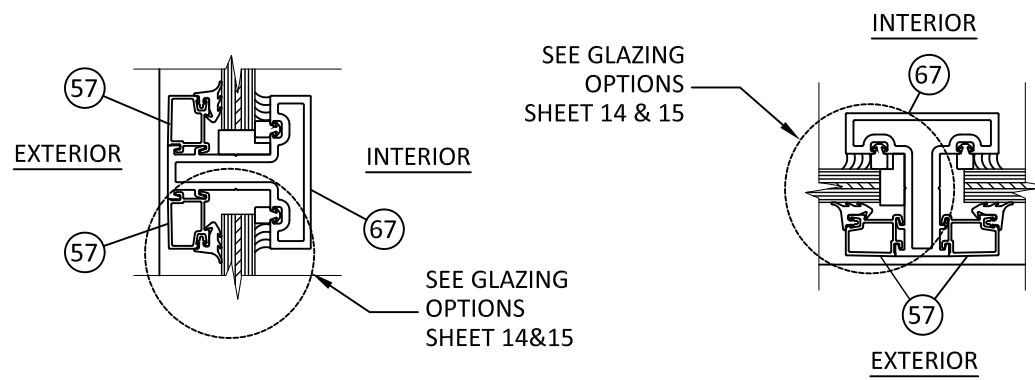
11/9/2021 11:11 AM s:\projects\ykk_ap_america, inc\tdr-21-0933 - tdr submittal - revision (35h - aluminum outswing entrance door & 50h - aluminum outswing entrance door)\dwg\ykk284.dwg

THRESHOLD WATER INFILTRATION AND DESIGN PRESSURE LIMITATIONS

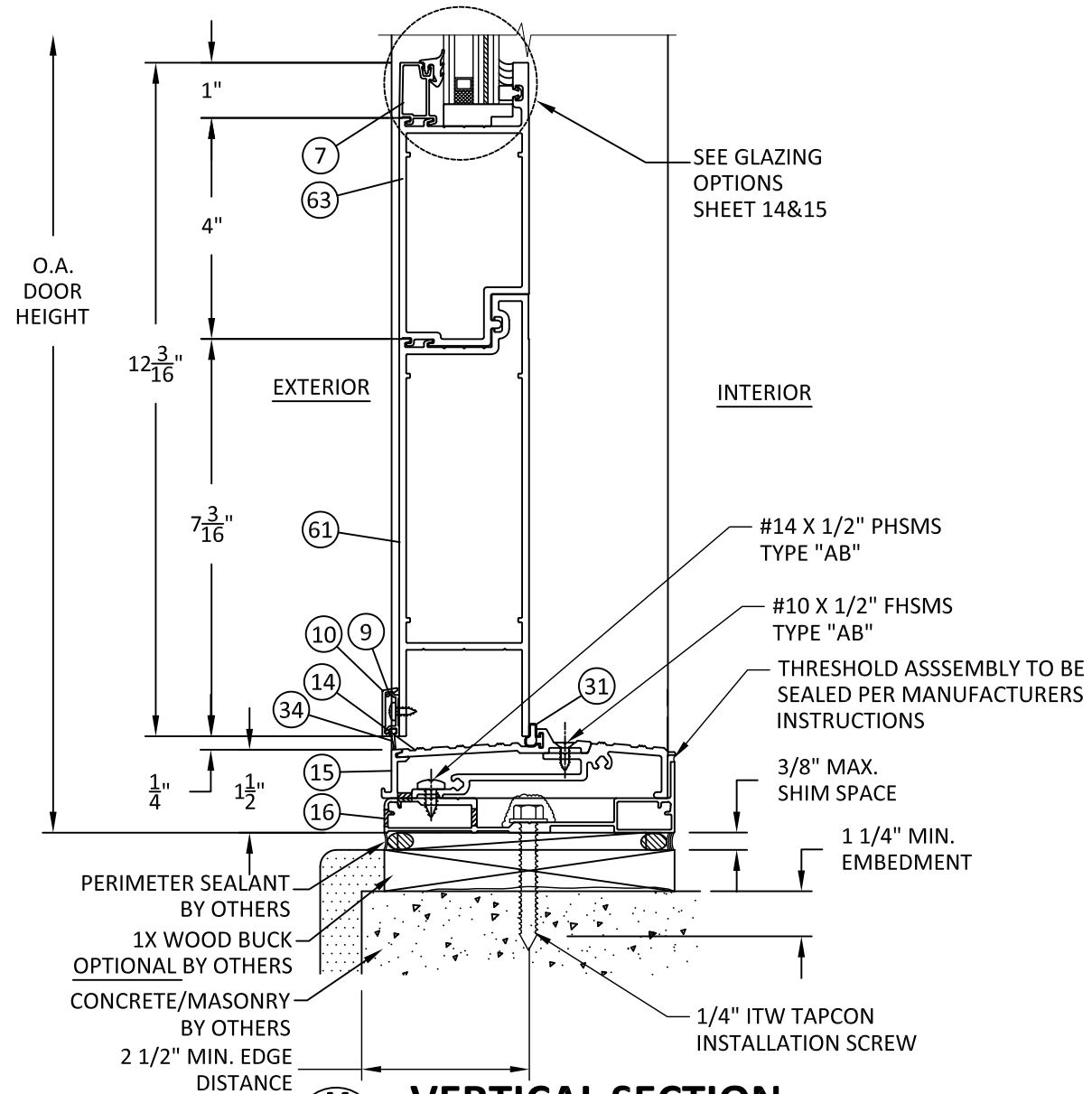
THRESHOLD DESCRIPTION	ITEM #	TYP. DETAILS	WATER TEST PRESSURE	LIMITATIONS
4 1/2" AIR TIGHT THRESHOLD	ITEM # 13	SEE TYP. DETAILS A/5, E/6, E1/6, W/10 & J/7	0 PSF	THRESHOLD SHALL BE USED WHERE WATER INFILTRATION RATING IS NOT REQUIRED OR WHERE WATER INFILTRATION IS REQUIRED, A MINIMUM OVERHANG RATIO (OVERHANG PROJECTION:OVERHANG HEIGHT) SHALL BE EQUAL TO OR GREATER THAN 1. POSITIVE DESIGN LOAD NOT TO EXCEED +90 PSF.
AIR/WATER RESISTANT THRESHOLD	ITEMS #14, #15, & #16	SEE TYP. DETAILS D/5, K/7, Y/11 & Z/11	10.5 PSF	<ul style="list-style-type: none"> WHERE WATER INFILTRATION IS REQUIRED, POSITIVE DESIGN LOAD SHALL NOT EXCEED +70 PSF. WHERE WATER INFILTRATION IS REQUIRED, AND A MINIMUM OVERHANG RATIO (OVERHANG PROJECTION:OVERHANG HEIGHT) EQUAL TO OR GREATER THAN 1 IS PRESENT, POSITIVE DESIGN LOAD SHALL NOT EXCEED +90 PSF. WHERE WATER INFILTRATION IS NOT REQUIRED, POSITIVE DESIGN LOAD NOT TO EXCEED +90 PSF.

G1
7 VERTICAL SECTION
2 1/2" CROSS RAIL

G2
7 HORIZONTAL SECTION
2 1/2" CROSS RAIL



J
7 VERTICAL SECTION
SILL - CONCRETE/MASONRY
STACKED BOTTOM RAIL



K
7 VERTICAL SECTION
SILL - 1X/CONCRETE/MASONRY
STACKED BOTTOM RAIL



YKK AP America Inc.
1229 HWY 441 BYPASS
DUBLIN, GEORGIA 31021
PH: (478)277-1955 FAX: (678)838-6001

TITLE: SERIES 35H ALUMINUM OUTSWING ENTRANCE DOOR (IMPACT)
VERTICAL SECTIONS 3 & THRESHOLD WATER & DP LIM.
PREPARED BY: BUILDING DROPS, INC.
398 E. DANIA BEACH BLVD., STE. 338
DANIA BEACH, FL 33004
PH: (954)399-8478
FAX: (954)744-4738
WEB: www.buildingdrops.com

REMARKS	BY	DATE

THE INSTALLATION DETAILS DESCRIBED HEREIN ARE GENERIC AND MAY NOT REFLECT ACTUAL CONDITIONS FOR A SPECIFIC SITE. IF SITE CONDITIONS CAUSE INSTALLATION TO DEVIATE FROM THE REQUIREMENTS DETAILED HEREIN, A LICENSED ENGINEER OR ARCHITECT SHALL PREPARE SITE SPECIFIC DOCUMENTS FOR USE WITH THIS DOCUMENT.



HERMES F. NORERO, P.E.
TEXAS P.E. No 118471
BUILDING DROPS, INC
398 E. DANIA BEACH BLVD. # 338
DANIA BEACH, FL 33004
TBPE FIRM No. 13734

DATE:	10.21.21
DWG. BY:	MS
CHK. BY:	HFN
SCALE:	NTS
DWG. #:	YKK284
SHEET:	7

TITLE: SERIES 35H ALUMINUM OUTSWING ENTRANCE DOOR (IMPACT)

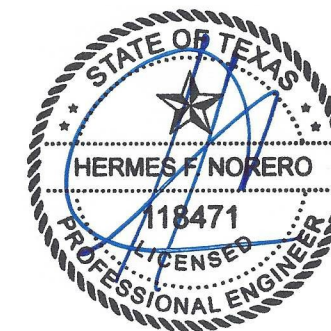
HORIZONTAL SECTIONS 1

PREPARED BY: **BUILDING DROPS, INC.**
398 E. DANIA BEACH BLVD., STE. 338
DANIA BEACH, FL 33004
PH: (954)399-8478
FAX: (954)744-4738
WEB: www.buildingdrops.com



REMARKS	BY	DATE

THE INSTALLATION DETAILS DESCRIBED HEREIN ARE GENERIC AND MAY NOT REFLECT ACTUAL CONDITIONS FOR A SPECIFIC SITE. IF SITE CONDITIONS CAUSE INSTALLATION TO DEVIATE FROM THE REQUIREMENTS DETAILED HEREIN, A LICENSED ENGINEER OR ARCHITECT SHALL PREPARE SITE SPECIFIC DOCUMENTS FOR USE WITH THIS DOCUMENT.



HERMES F. NORERO, P.E.
TEXAS P.E. No. 118471
BUILDING DROPS, INC
398 E. DANIA BEACH BLVD. # 338
DANIA BEACH, FL 33004
TBPE FIRM No. 13734

DATE: 10.21.21

DWG. BY: MS

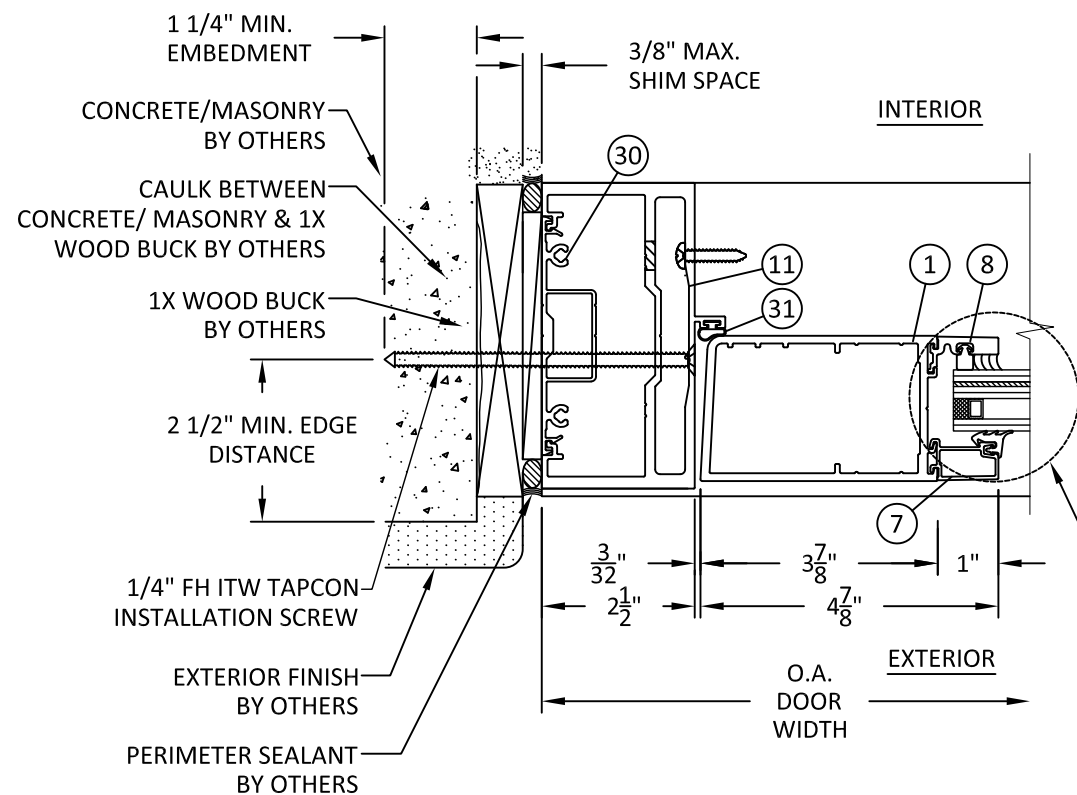
CHK. BY: HFN

SCALE: NTS

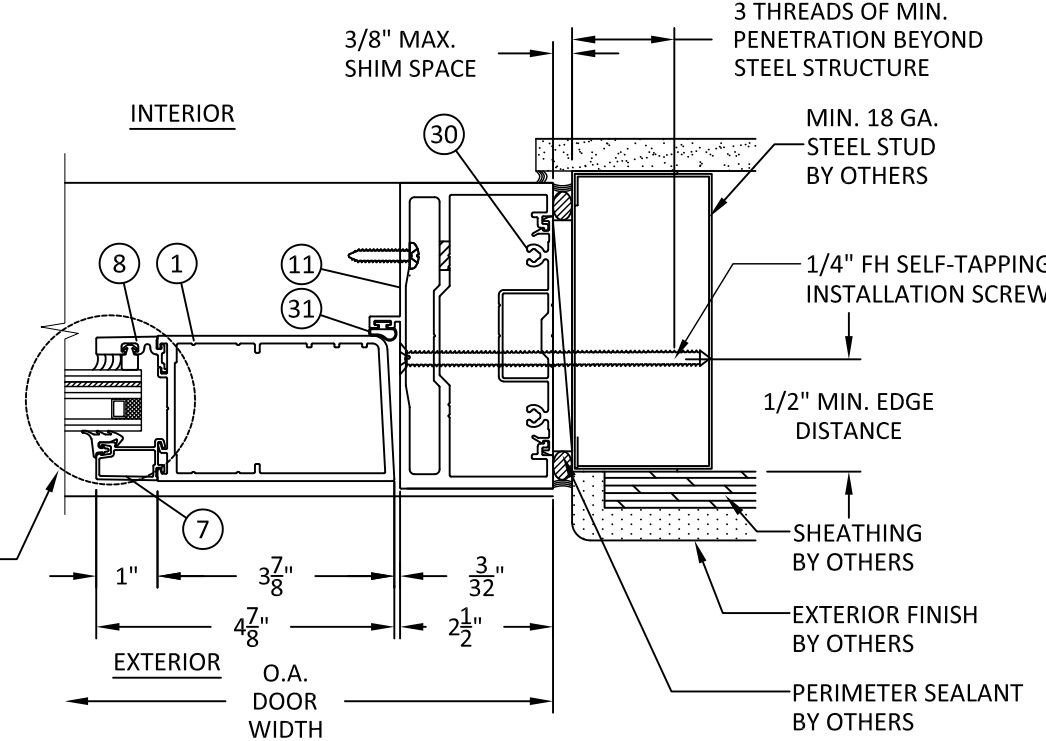
DWG. #: YKK284

SHEET:

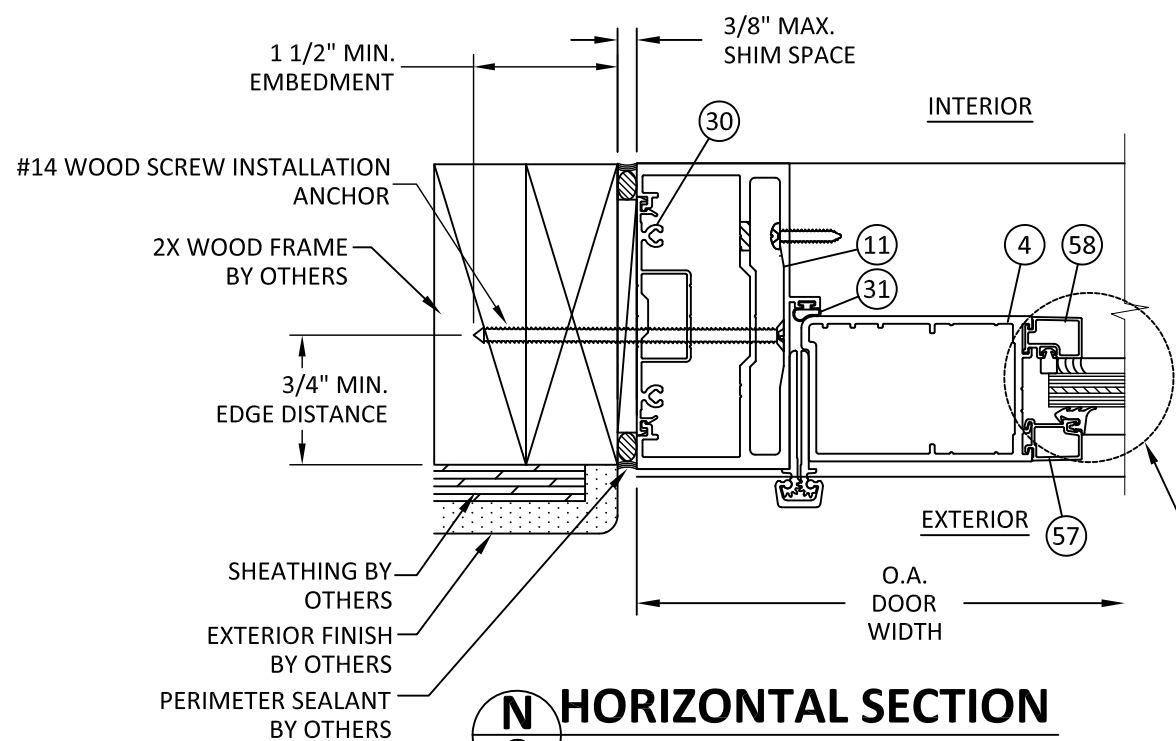
8



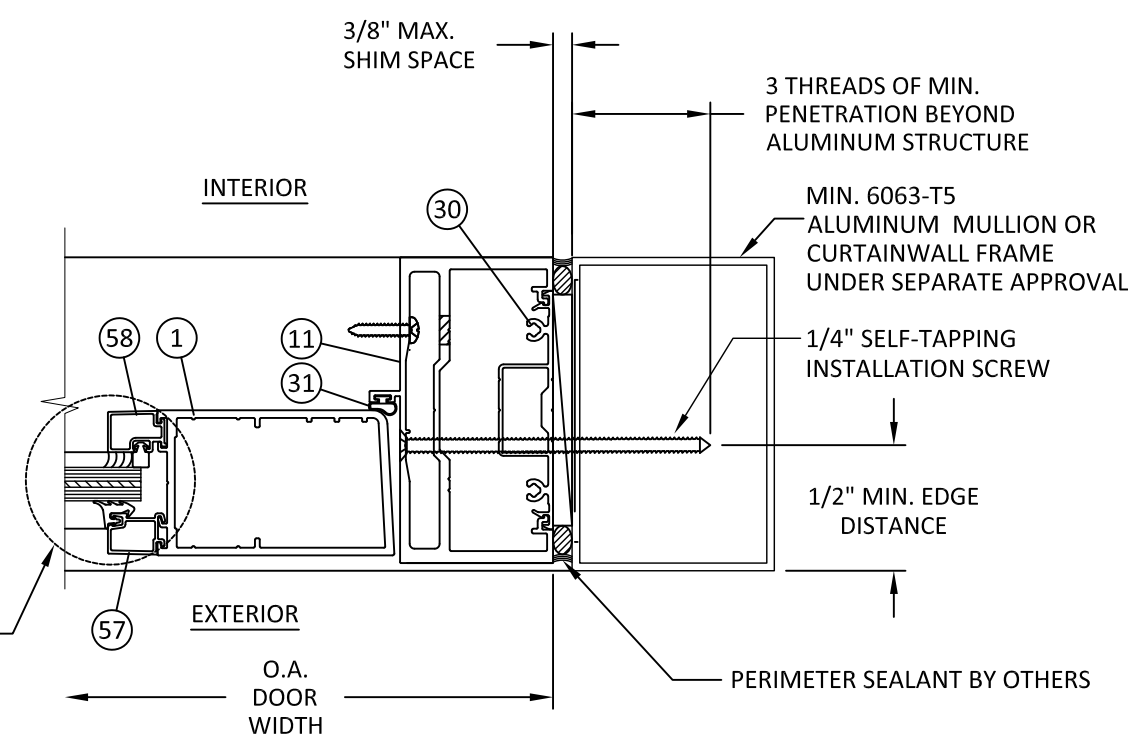
L HORIZONTAL SECTION
8 JAMB - CONCRETE/MASONRY



M HORIZONTAL SECTION
8 JAMB - STEEL STUD



N HORIZONTAL SECTION
8 JAMB - 2X WOOD FRAME CONTINUOUS HINGE



P HORIZONTAL SECTION
8 JAMB - ALUMINUM MULLION

SEE GLAZING OPTIONS SHEETS 14 & 15

SEE GLAZING OPTIONS SHEETS 14 & 15

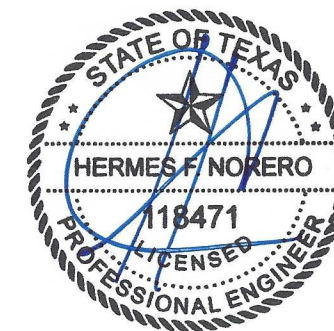
s:\projects\ykk_ap_america, inc.\tdr-21-0933 - tdr submittal - revision (35h - aluminum outswing entrance door & 50h - aluminum outswing entrance door)\dwg\ykk284.dwg 11/9/2021 11:11 AM

TITLE: SERIES 35H ALUMINUM OUTSWING ENTRANCE DOOR (IMPACT)
HORIZONTAL DETAILS 2

PREPARED BY: **B.D. BUILDING DROPS**
BUILDING DROPS, INC.
398 E. DANIA BEACH BLVD., STE. 338
DANIA BEACH, FL 33004
PH: (954)399-8478
FAX: (954)744-4738
WEB: www.buildingdrops.com

REMARKS	BY	DATE

THE INSTALLATION DETAILS DESCRIBED HEREIN ARE GENERIC AND MAY NOT REFLECT ACTUAL CONDITIONS FOR A SPECIFIC SITE. IF SITE CONDITIONS CAUSE INSTALLATION TO DEVIATE FROM THE REQUIREMENTS DETAILED HEREIN, A LICENSED ENGINEER OR ARCHITECT SHALL PREPARE SITE SPECIFIC DOCUMENTS FOR USE WITH THIS DOCUMENT.



HERMES F. NORERO, P.E.
TEXAS P.E. No. 118471
BUILDING DROPS, INC
398 E. DANIA BEACH BLVD. # 338
DANIA BEACH, FL 33004
TBPE FIRM No. 13734

DATE: 10.21.21

DWG. BY: MS CHK. BY: HFN

SCALE: NTS

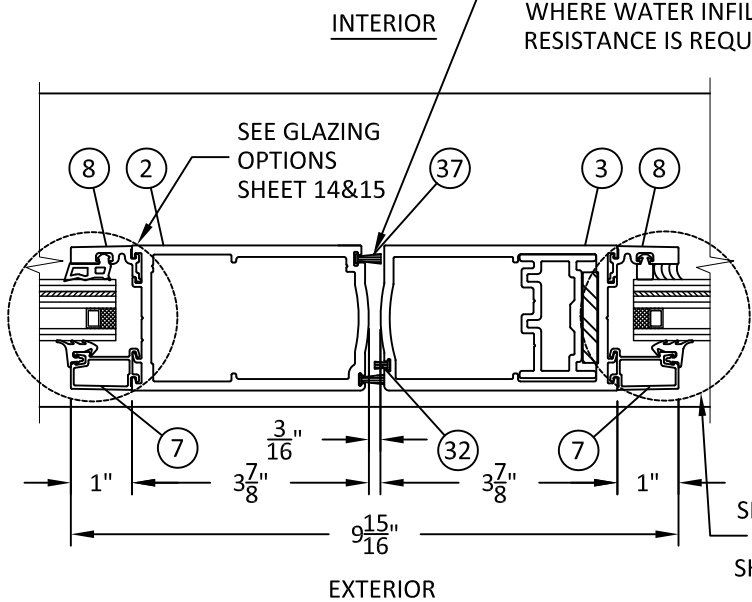
DWG. #: YKK284

SHEET:

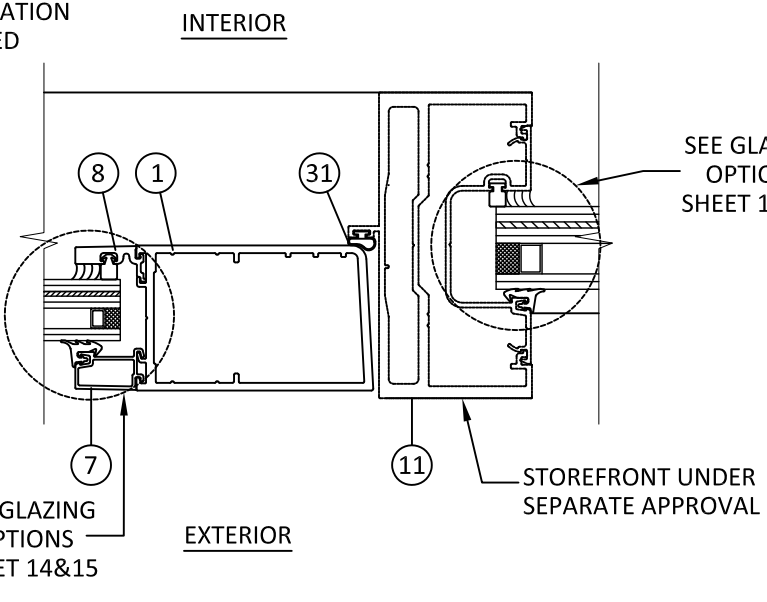
9

E2-0093

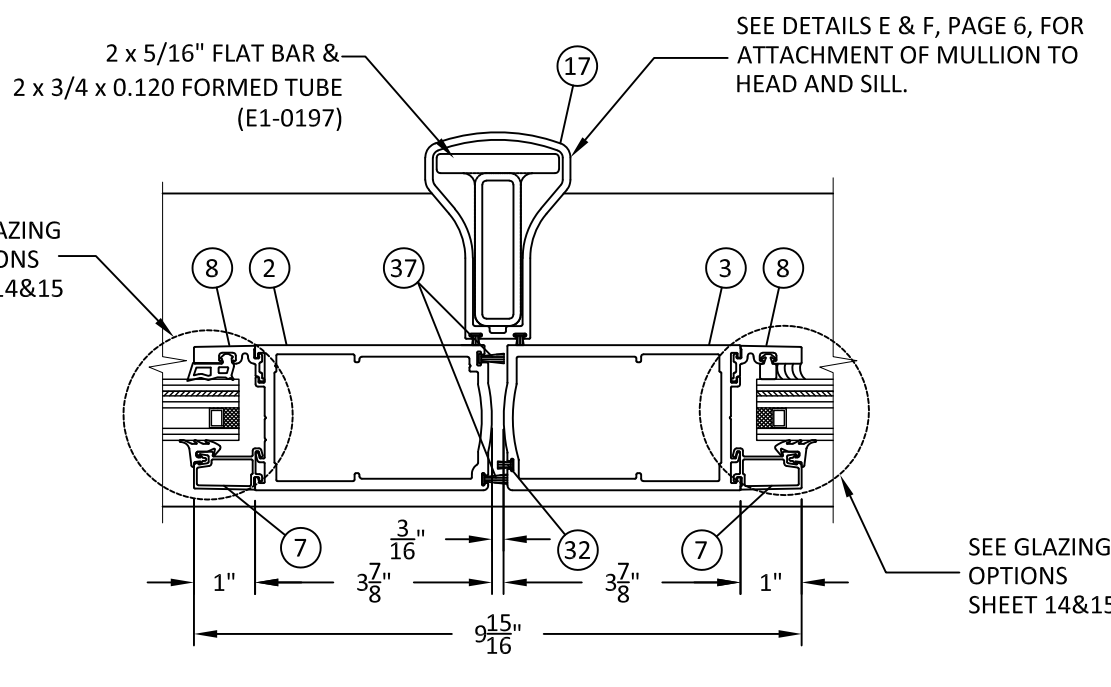
PART # E2-0093, ITEM # 39, MUST BE USED IN PLACE OF E2-0087, ITEM # 37, WHERE WATER INFILTRATION RESISTANCE IS REQUIRED



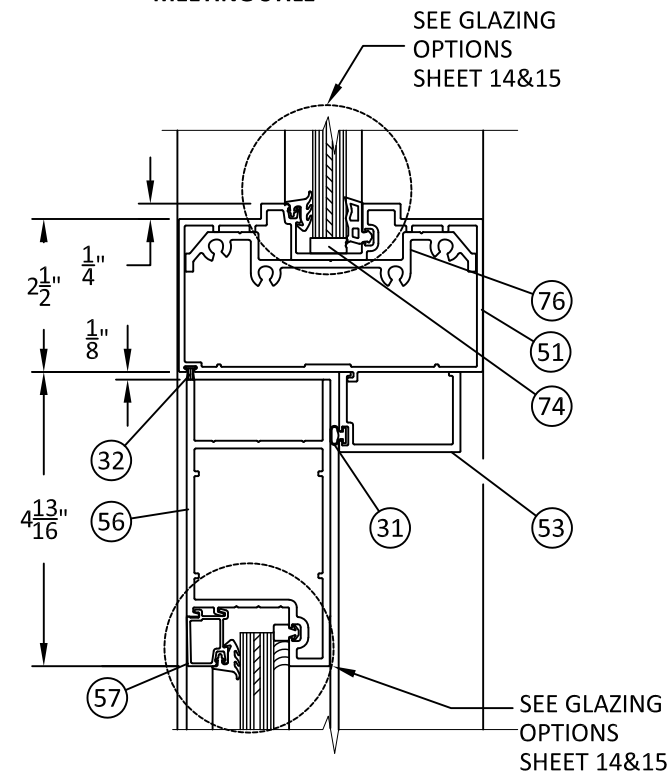
Q9 HORIZONTAL SECTION
MEETING STILE



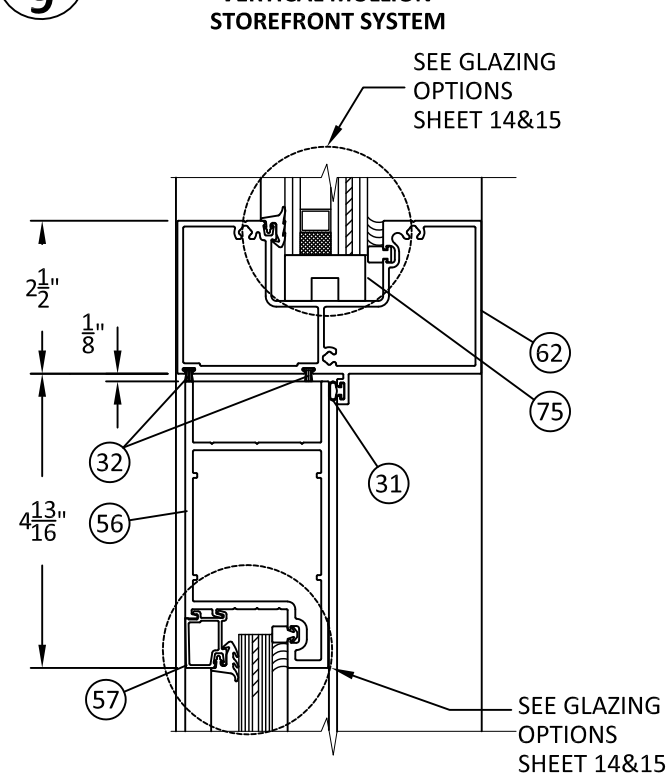
U9 HORIZONTAL SECTION
VERTICAL MULLION STOREFRONT SYSTEM



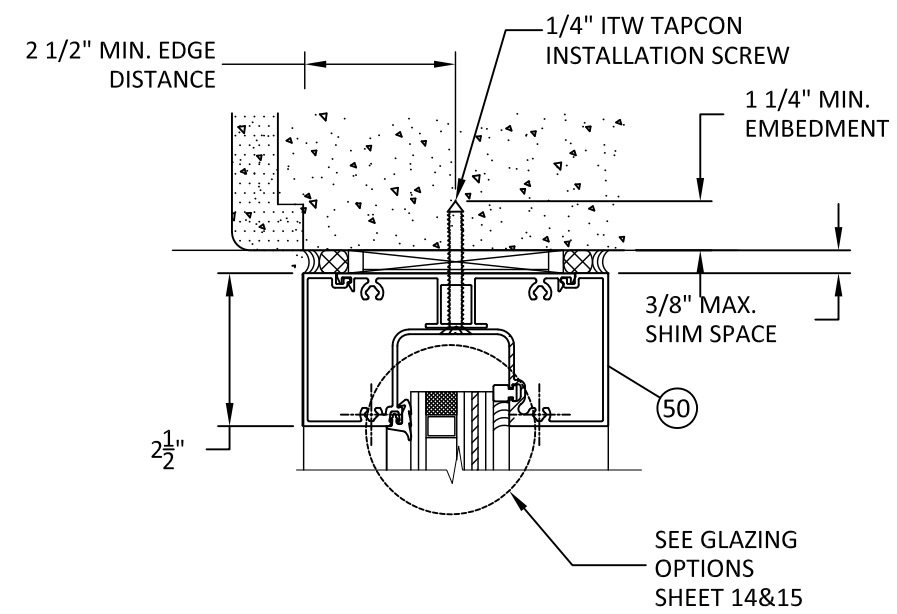
R9 HORIZONTAL SECTION
MEETING STILE W/REMOVABLE MULLION



S9 VERTICAL SECTION
OHCC MULLION
SEE SHEET 3 FOR DP LIMITATIONS



S19 VERTICAL SECTION
STANDARD TRANSOM MULLION
SEE SHEET 3 FOR DP LIMITATIONS



T9 VERTICAL SECTION
TRANSOM HEADER

11/9/2021 11:11 AM s:\projects\ykk_ap_america, inc.\tbl-21-0933 - tbl submittal - revision (35h - aluminum outswing entrance door & 50h - aluminum outswing entrance door)\dwg\ykk284.dwg

TITLE: SERIES 35H ALUMINUM OUTSWING ENTRANCE DOOR (IMPACT)

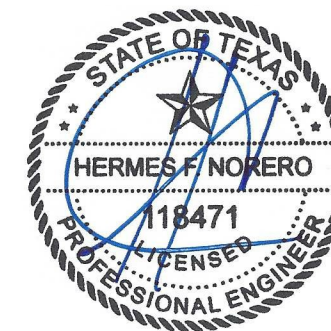
HORIZONTAL/VERTICAL SECTIONS

PREPARED BY: **BUILDING DROPS, INC.**
398 E. DANIA BEACH BLVD., STE. 338
DANIA BEACH, FL 33004
PH: (954)399-8478
FAX: (954)744-4738
WEB: www.buildingdrops.com



REMARKS	BY	DATE

THE INSTALLATION DETAILS DESCRIBED HEREIN ARE GENERIC AND MAY NOT REFLECT ACTUAL CONDITIONS FOR A SPECIFIC SITE. IF SITE CONDITIONS CAUSE INSTALLATION TO DEVIATE FROM THE REQUIREMENTS DETAILED HEREIN, A LICENSED ENGINEER OR ARCHITECT SHALL PREPARE SITE SPECIFIC DOCUMENTS FOR USE WITH THIS DOCUMENT.



HERMES F. NORERO, P.E.
TEXAS P.E. No. 118471
BUILDING DROPS, INC.
398 E. DANIA BEACH BLVD. # 338
DANIA BEACH, FL 33004
TBPE FIRM No. 13734

DATE: 10.21.21

DWG. BY: MS

CHK. BY: HFN

SCALE: NTS

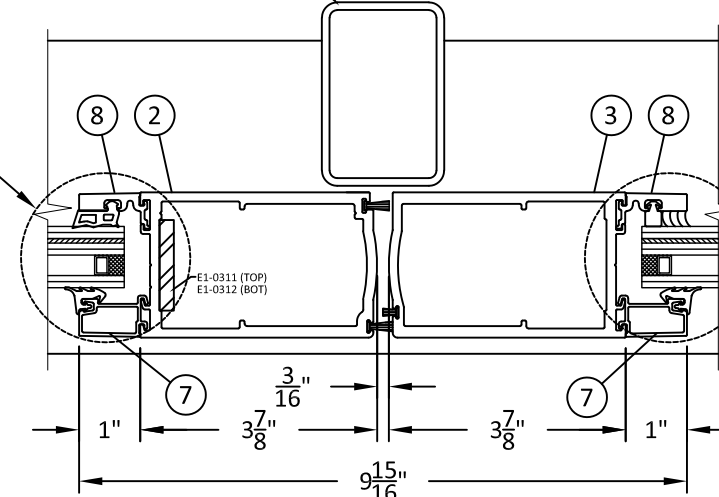
DWG. #: YKK284

SHEET:

10

VON DUPRIN KR9954 KEYED REMOVABLE MULLION

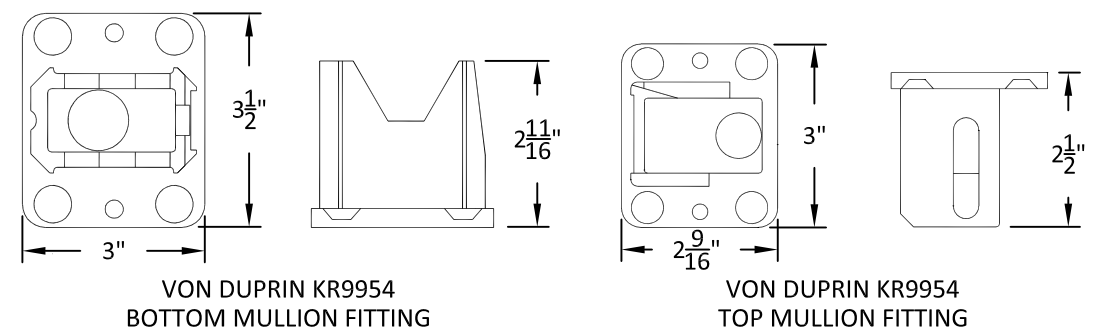
SEE GLAZING OPTIONS SHEET 14 & 15



SEE GLAZING OPTIONS SHEET 14&15

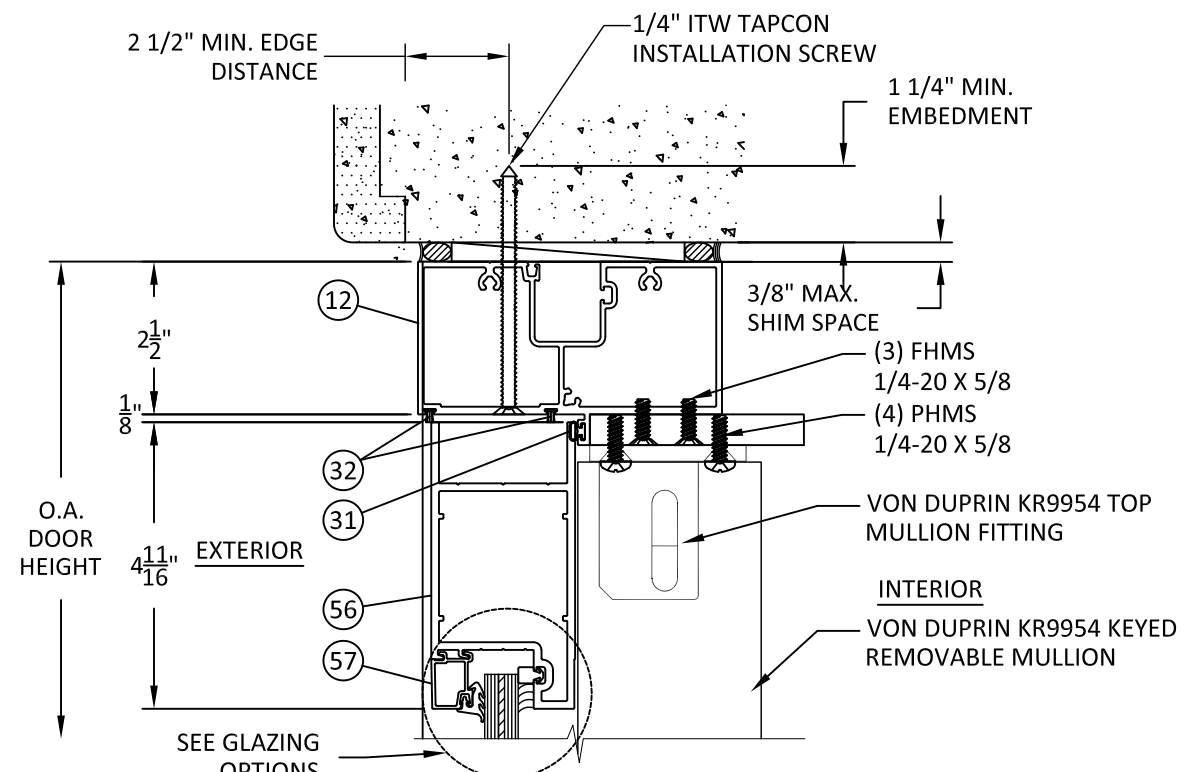
X HORIZONTAL SECTION
10 MEETING STILE W/REMOVABLE MULLION

NOTE:
SEE ELEVATION B, SHEET 2 FOR DETAILS OF RIM PANIC DEVICES. VON DUPRIN KR9954 KEYED REMOVABLE MULLION TO BE USED WITH VON DUPRIN HARDWARE ONLY.



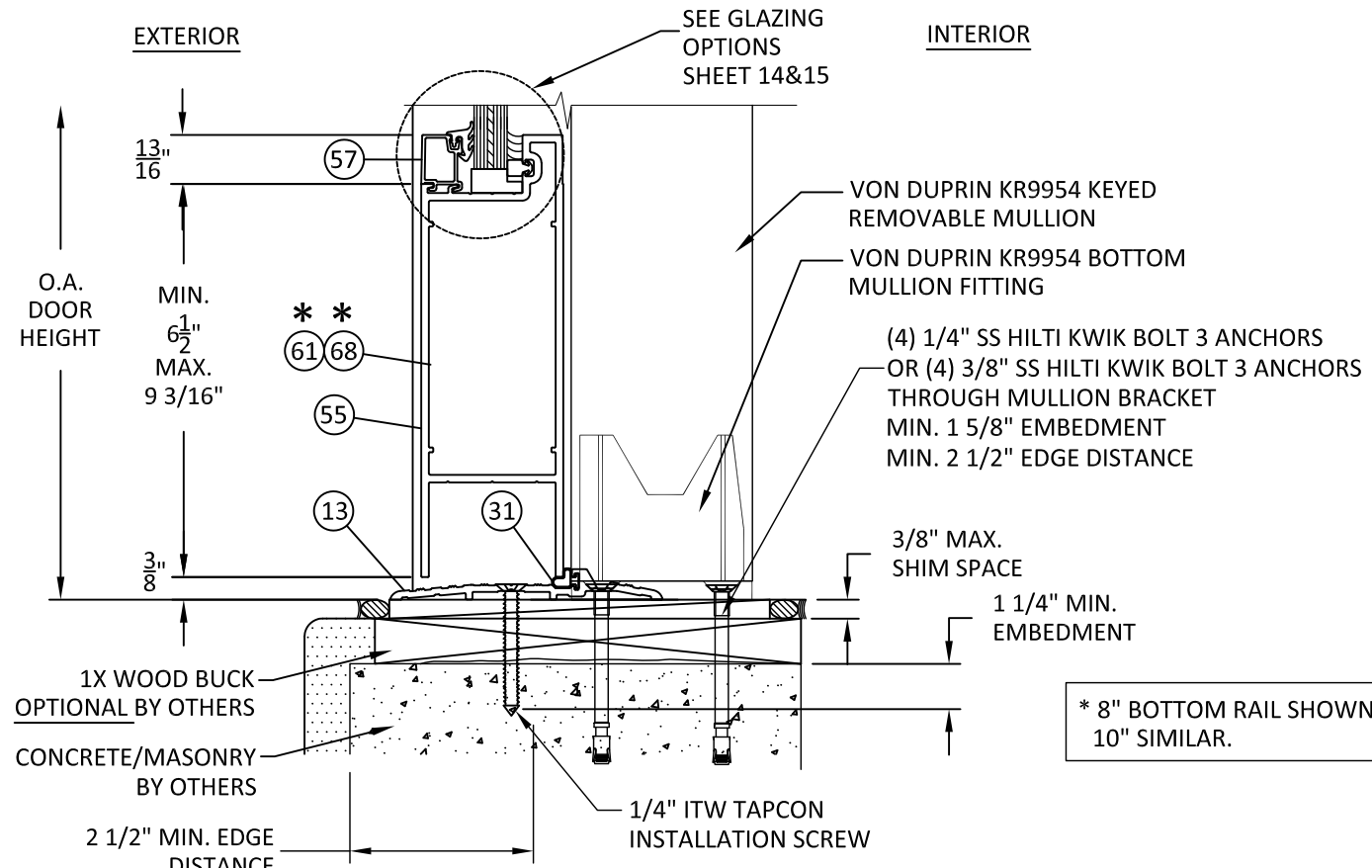
VON DUPRIN KR9954 BOTTOM MULLION FITTING

VON DUPRIN KR9954 TOP MULLION FITTING



V VERTICAL SECTION
10 HEAD - CONCRETE/MASONRY REMOVABLE MULLION

SEE GLAZING OPTIONS SHEET 14&15



W VERTICAL SECTION
10 SILL - CONCRETE/MASONRY REMOVABLE MULLION

* 8" BOTTOM RAIL SHOWN 10" SIMILAR.

11/9/2021 11:11 AM s:\projects\ykk_ap_america, inc\tdi-21-0933 - tdi submittal - revision (35h - aluminum outswing entrance door & 50h - aluminum outswing entrance door)\dwgs\ykk284.dwg



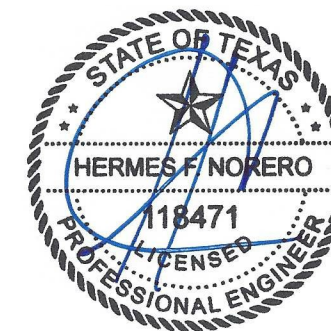
YKK AP America Inc.
 1229 HWY 441 BYPASS
 DUBLIN, GEORGIA 31021
 PH: (478)277-1955 FAX: (678)838-6001

TITLE: SERIES 35H ALUMINUM OUTSWING
 ENTRANCE DOOR
 (IMPACT)
 SILL DETAIL WITH RAMP

PREPARED BY:
B.D.
 BUILDING DROPS
 BUILDING DROPS, INC.
 398 E. DANIA BEACH BLVD., STE. 338
 DANIA BEACH, FL 33004
 PH: (954)399-8478
 FAX: (954)744-4738
 WEB: www.buildingdrops.com

REMARKS	BY	DATE

THE INSTALLATION DETAILS DESCRIBED HEREIN ARE GENERIC AND MAY NOT REFLECT ACTUAL CONDITIONS FOR A SPECIFIC SITE. IF SITE CONDITIONS CAUSE INSTALLATION TO DEVIATE FROM THE REQUIREMENTS DETAILED HEREIN, A LICENSED ENGINEER OR ARCHITECT SHALL PREPARE SITE SPECIFIC DOCUMENTS FOR USE WITH THIS DOCUMENT.



HERMES F. NORERO, P.E.
 TEXAS P.E. No. 118471
 BUILDING DROPS, INC.
 398 E. DANIA BEACH BLVD. # 338
 DANIA BEACH, FL 33004
 TBPE FIRM No. 13734

DATE: 10.21.21

DWG. BY: MS

CHK. BY: HFN

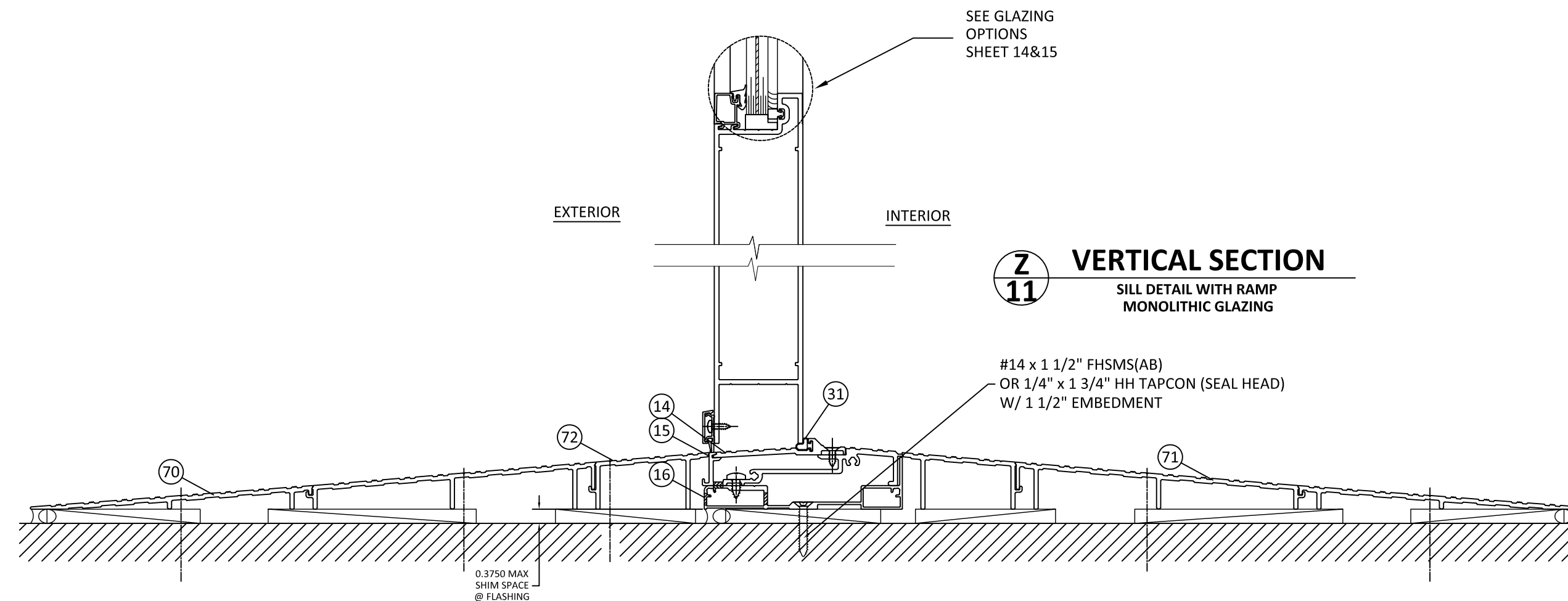
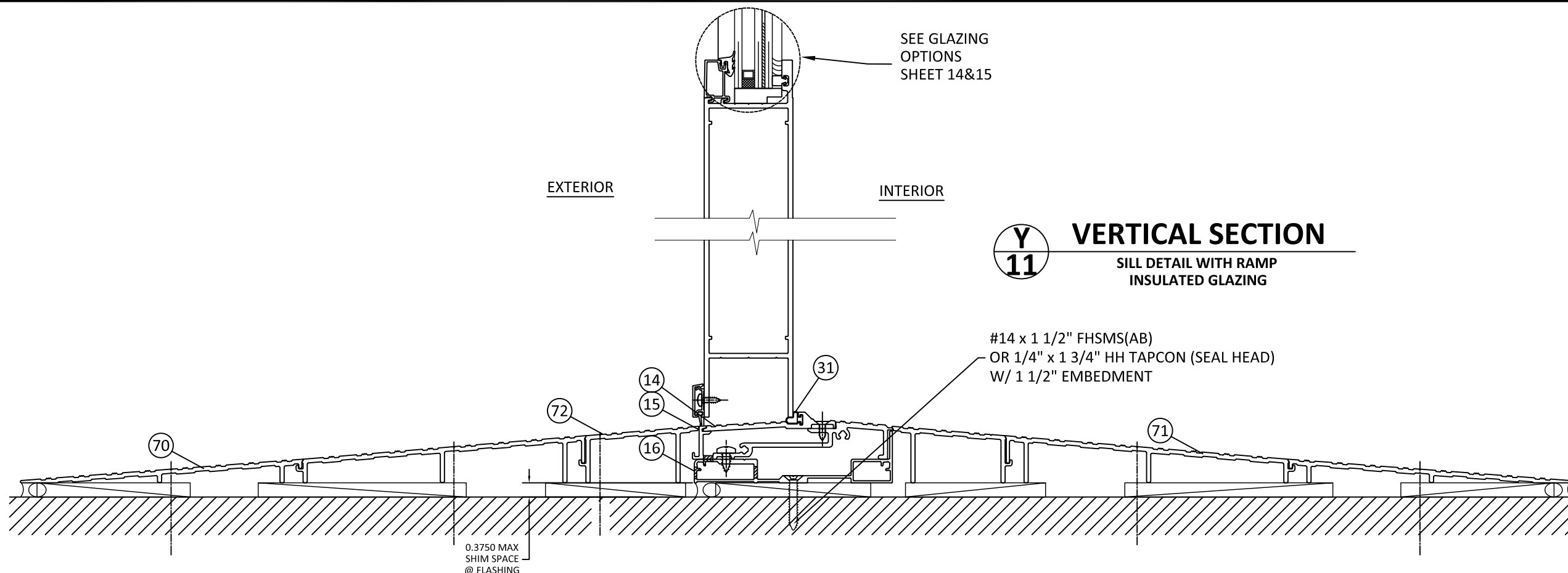
SCALE: NTS

DWG. #: YKK284

SHEET:

11

[PAGE 13 OF 20]



s:\projects\ykk_ap_america, inc.\tdi-21-0933 - tdi submittal - revision (35h - aluminum outswing entrance door & 50h - aluminum outswing entrance door)\dwg\ykk284.dwg 11/9/2021 11:11 AM

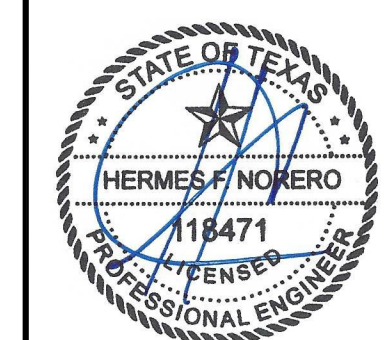
TITLE: SERIES 35H ALUMINUM OUTSWING ENTRANCE DOOR (IMPACT) CURTAINWALL INSTALLATION & DOOR CORNER DETAILS

PREPARED BY: BUILDING DROPS, INC.

BUILDING DROPS, INC.
398 E. DANIA BEACH BLVD., STE. 338
DANIA BEACH, FL 33004
PH: (954)399-8478
FAX: (954)744-4738
WEB: www.buildingdrops.com

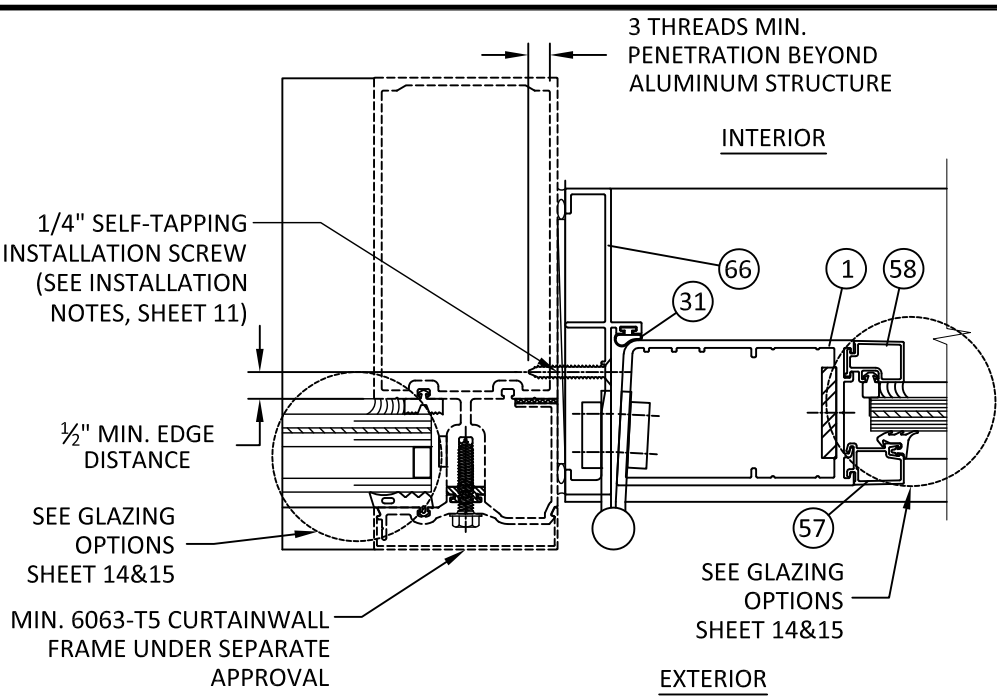
REMARKS	BY	DATE

THE INSTALLATION DETAILS DESCRIBED HEREIN ARE GENERIC AND MAY NOT REFLECT ACTUAL CONDITIONS FOR A SPECIFIC SITE. IF SITE CONDITIONS CAUSE INSTALLATION TO DEVIATE FROM THE REQUIREMENTS DETAILED HEREIN, A LICENSED ENGINEER OR ARCHITECT SHALL PREPARE SITE SPECIFIC DOCUMENTS FOR USE WITH THIS DOCUMENT.



HERMES F. NORERO, P.E.
TEXAS P.E. No. 118471
BUILDING DROPS, INC
398 E. DANIA BEACH BLVD. # 338
DANIA BEACH, FL 33004
TBPE FIRM No. 13734

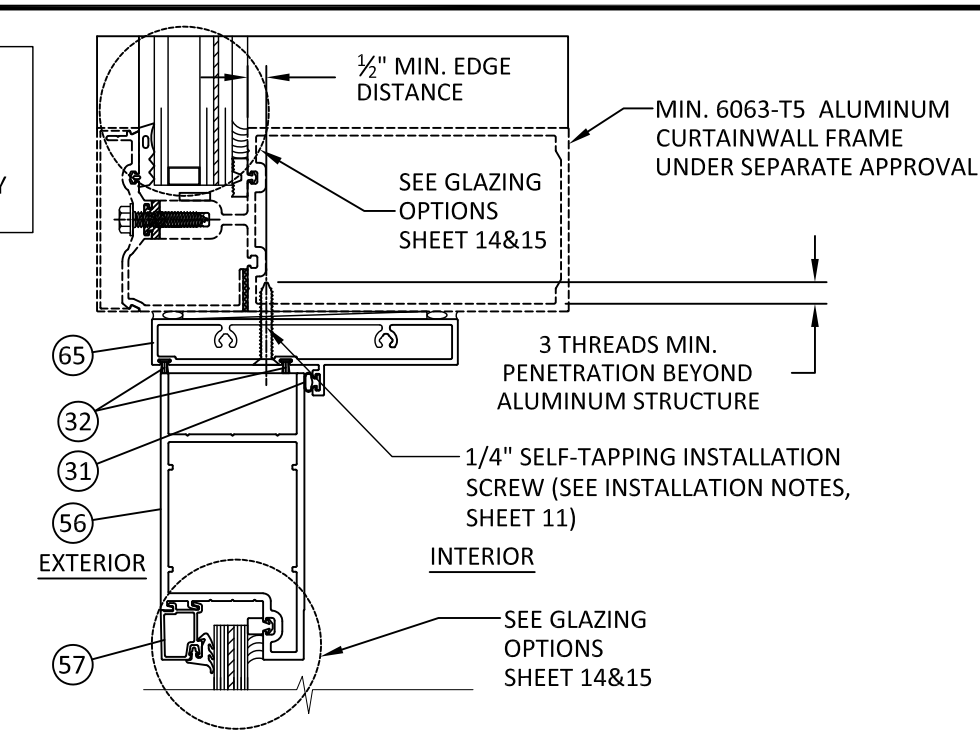
DATE:	10.21.21
DWG. BY:	MS
CHK. BY:	HFN
SCALE:	NTS
DWG. #:	YKK284
SHEET:	12



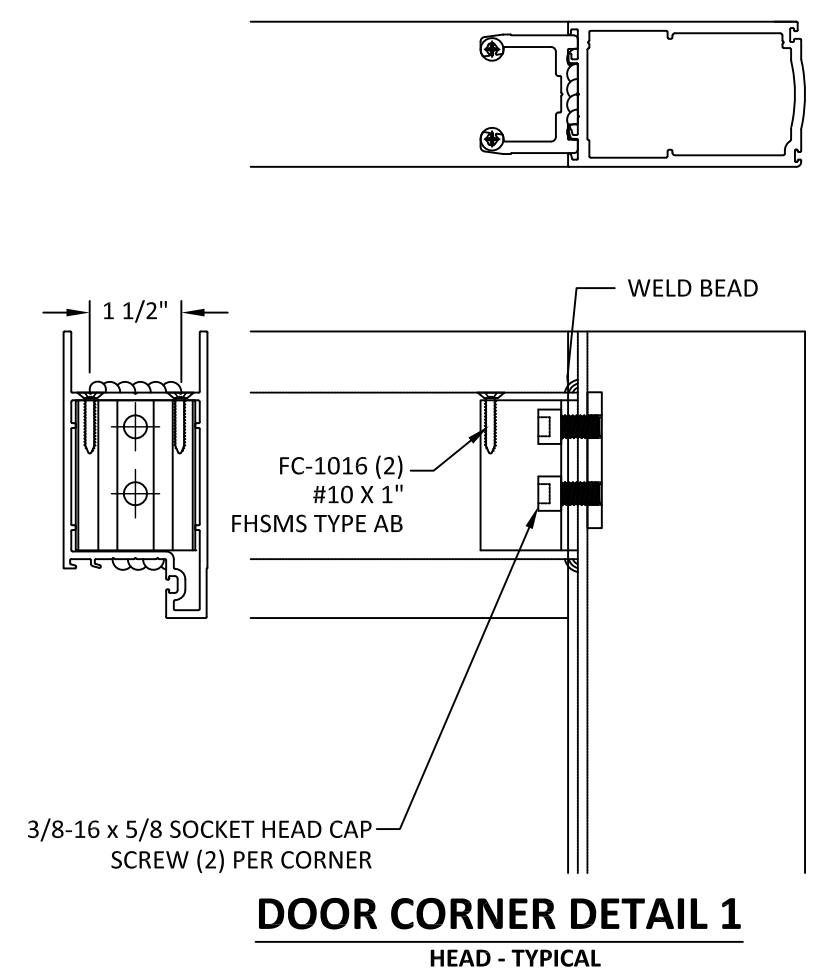
AA HORIZONTAL SECTION
12 JAMB - SUBFRAME TO CURTAINWALL

NOTES:
A. CURTAINWALL SUBFRAME IS LIMITED TO A MAXIMUM SIZE OF 78 1/2" X 98 1/2" FOR ALL HARDWARE TYPES.
B. BUTT HINGE SHOWN, CONTINUOUS HINGES MAY ALSO BE USED.

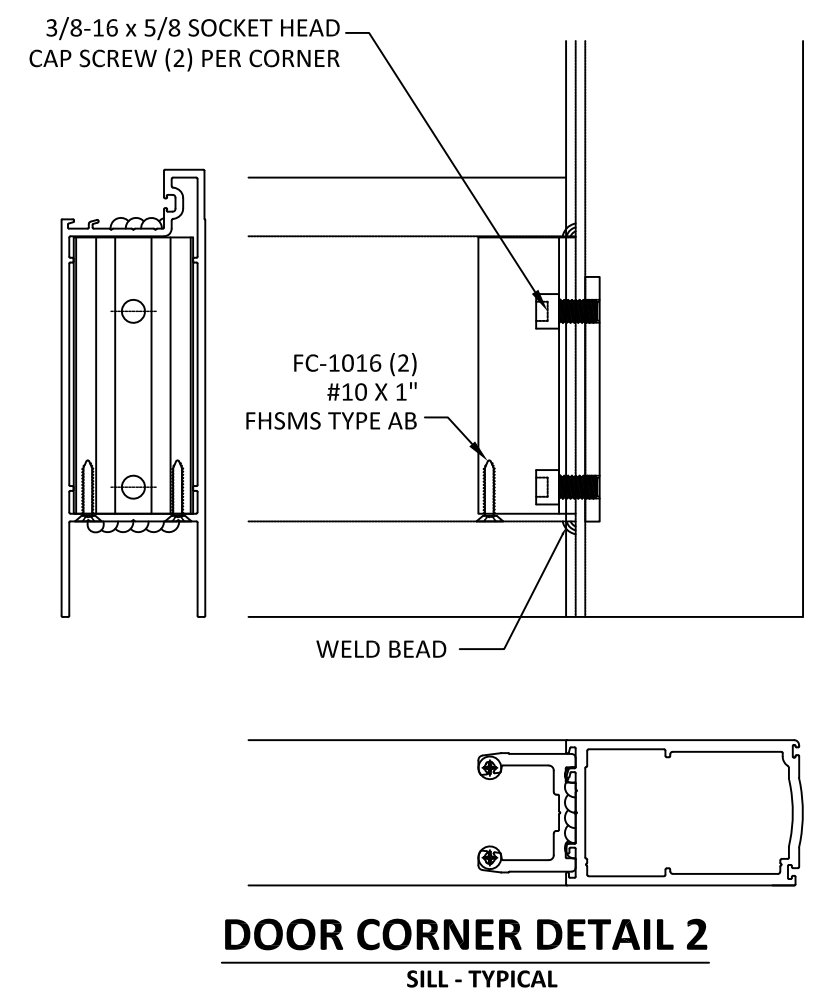
INSTALLATION NOTES:
A. AT HEAD, USE CLUSTERS OF (3) ANCHORS AT EACH CORNER, SPACED 4 1/2" MAX. FROM CORNERS AND 3" O.C. THEREAFTER.
B. (DOUBLE DOORS ONLY) AT HEAD, USE CLUSTER OF (8) ANCHORS AT MIDSPAN, SPACED 2" FROM EITHER SIDE OF MIDSPAN AND 3" O.C. THEREAFTER.
C. AT JAMBS, USE ANCHORS SPACED 5 1/2" MAX. FROM CORNERS AND 9 3/4" MAX. O.C. THEREAFTER.



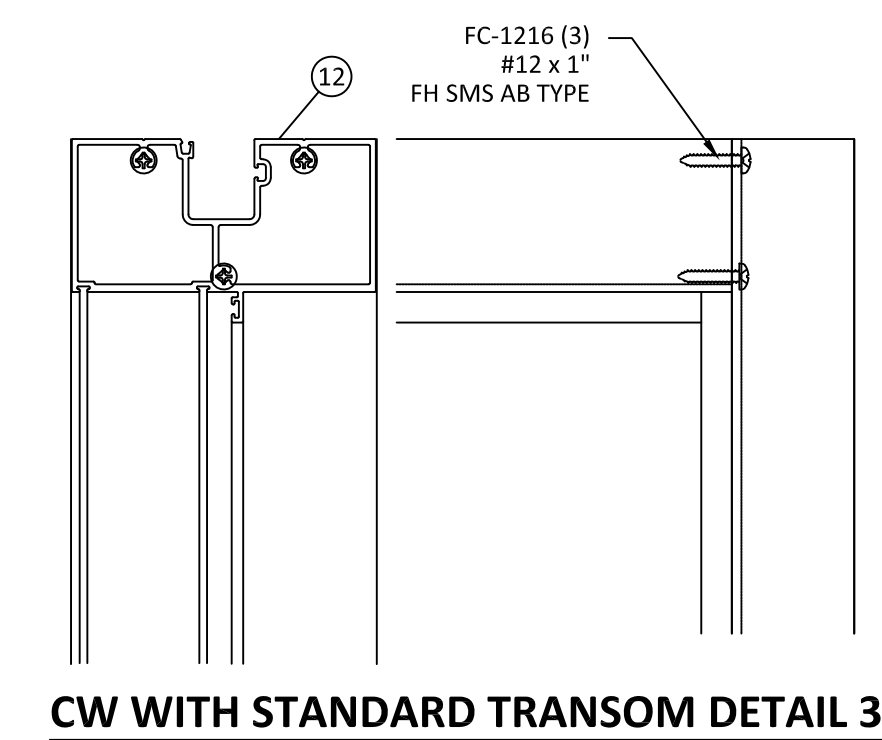
AB VERTICAL SECTION
12 HEAD - SUBFRAME TO CURTAINWALL
OPTIONAL (STANDARD IN B/5)



DOOR CORNER DETAIL 1
HEAD - TYPICAL



DOOR CORNER DETAIL 2
SILL - TYPICAL



CW WITH STANDARD TRANSOM DETAIL 3

11/9/2021 11:12 AM s:\projects\ykk_ap_america, inc.\tdi-21-0933 - tdi submittal - revision (35h - aluminum outswing entrance door & 50h - aluminum outswing entrance door)\dwg\ykk284.dwg

TITLE: SERIES 35H ALUMINUM OUTSWING ENTRANCE DOOR (IMPACT)

FRAME CORNER DETAILS

PREPARED BY: **BUILDING DROPS, INC.**
398 E. DANIA BEACH BLVD., STE. 338
DANIA BEACH, FL 33004
PH: (954)399-8478
FAX: (954)744-4738
WEB: www.buildingdrops.com



REMARKS	BY	DATE

THE INSTALLATION DETAILS DESCRIBED HEREIN ARE GENERIC AND MAY NOT REFLECT ACTUAL CONDITIONS FOR A SPECIFIC SITE. IF SITE CONDITIONS CAUSE INSTALLATION TO DEVIATE FROM THE REQUIREMENTS DETAILED HEREIN, A LICENSED ENGINEER OR ARCHITECT SHALL PREPARE SITE SPECIFIC DOCUMENTS FOR USE WITH THIS DOCUMENT.



HERMES F. NORERO, P.E.
TEXAS P.E. No. 118471
BUILDING DROPS, INC.
398 E. DANIA BEACH BLVD. # 338
DANIA BEACH, FL 33004
TBPE FIRM No. 13734

DATE: 10.21.21

DWG. BY: MS

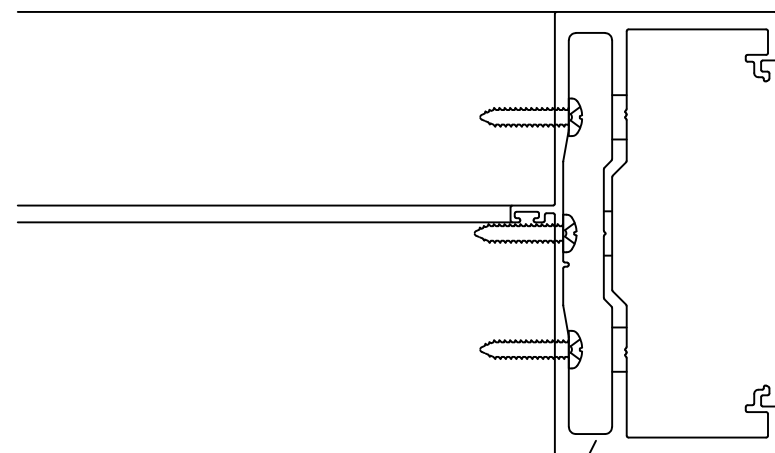
CHK. BY: HFN

SCALE: NTS

DWG. #: YKK284

SHEET:

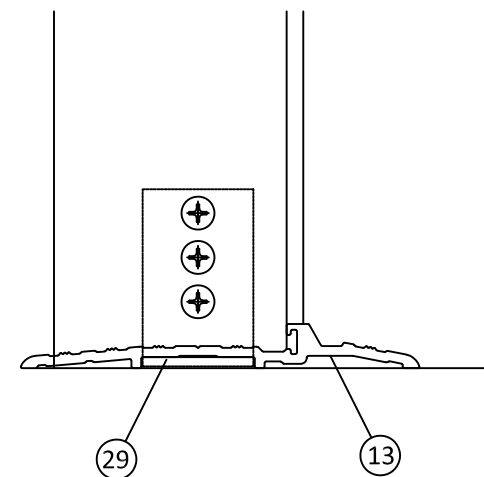
13



FRAME CORNER DETAIL 1

HEAD - TYPICAL

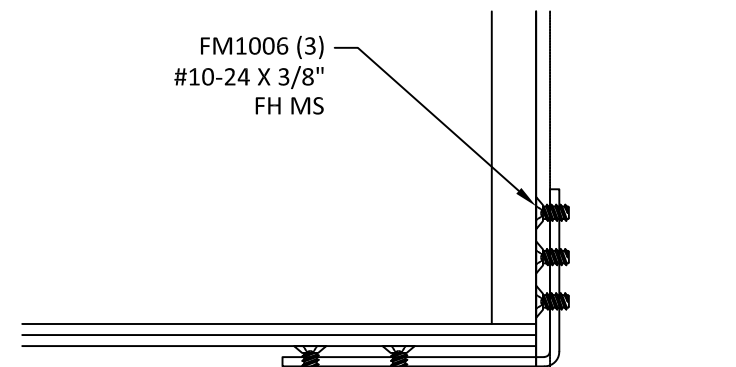
FC-1216 (3)
#12 x 1"
FH SMS AB TYPE



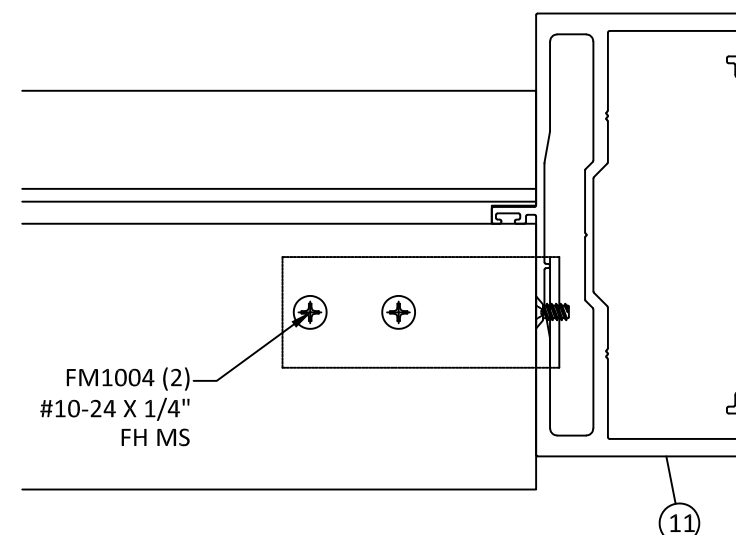
FRAME CORNER DETAIL 2

SILL - 4 1/2" AIR TIGHT THRESHOLD

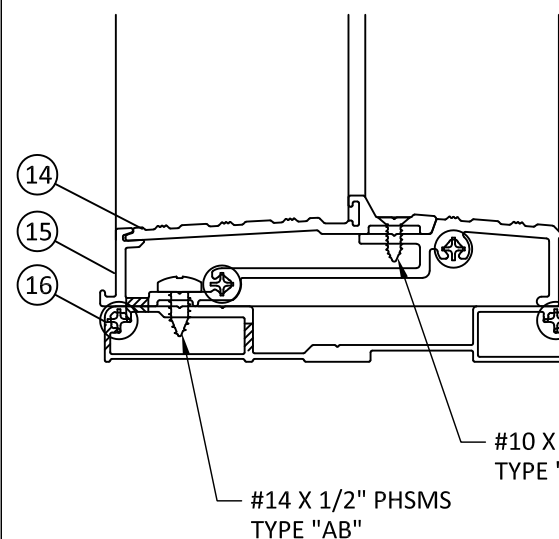
THRESHOLD CLIP PART NO. 29 (E1-1056) IS NOT REQUIRED IN APPLICATIONS WITH RIXSON PIVOTS OR SINGLE DOORS WITH THE VON DUPRIN 9947 DEVICES.



FM1006 (3)
#10-24 X 3/8"
FH MS



FM1004 (2)
#10-24 X 1/4"
FH MS

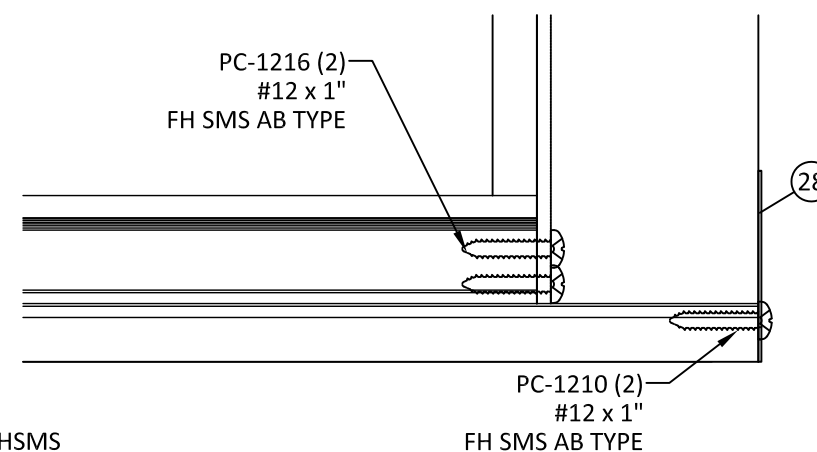


FRAME CORNER DETAIL 3

SILL - AIR AND WATER RESISTANT THRESHOLD

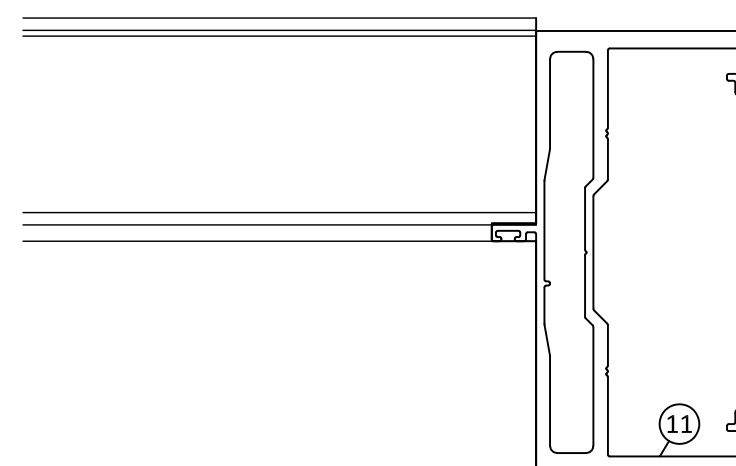
#14 X 1/2" PHSMS
TYPE "AB"

#10 X 1/2" FHSMS
TYPE "AB"

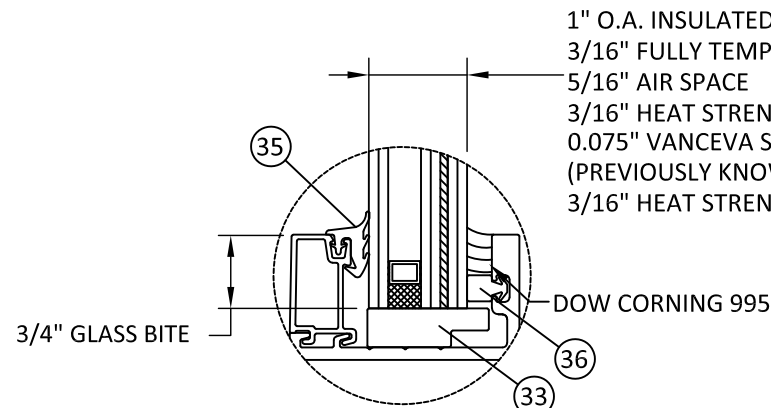


PC-1216 (2)
#12 x 1"
FH SMS AB TYPE

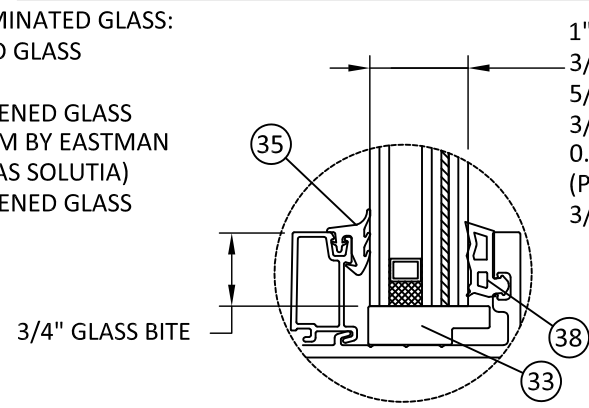
PC-1210 (2)
#12 x 1"
FH SMS AB TYPE



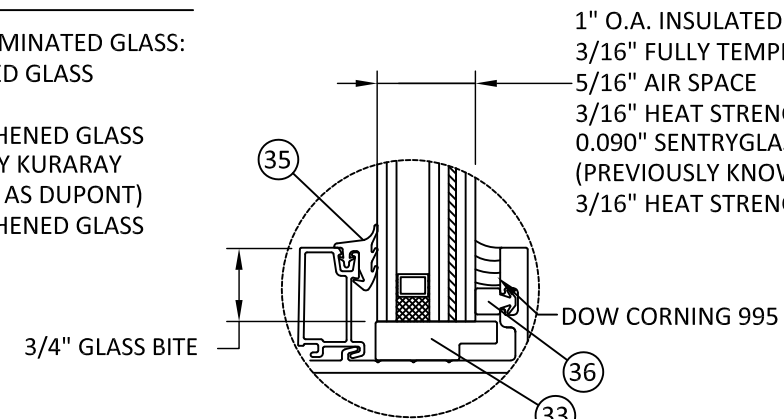
LARGE & SMALL MISSILE IMPACT



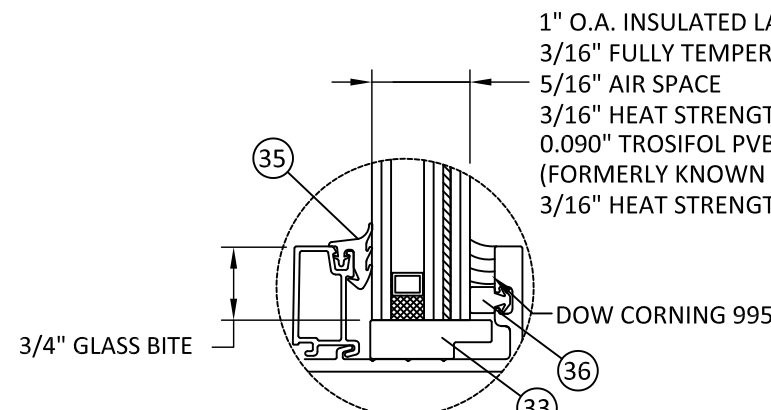
GLAZING DETAIL A



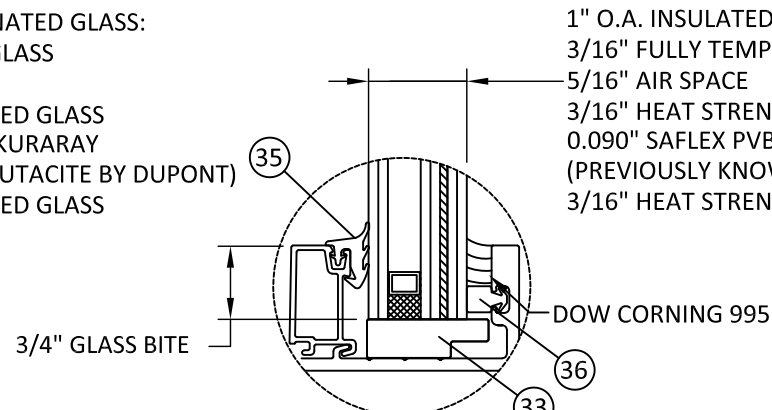
**GLAZING DETAIL B
DRY GLAZED**



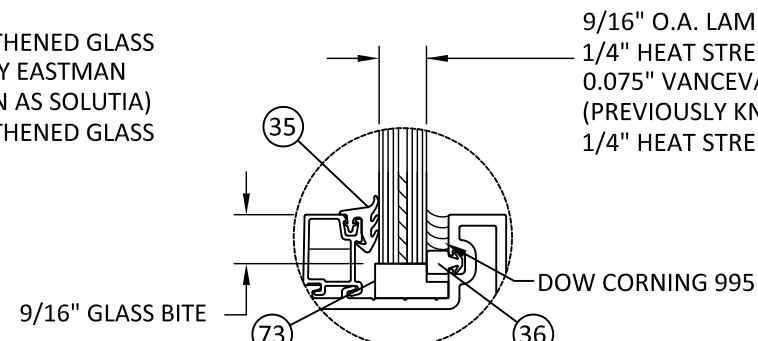
GLAZING DETAIL C



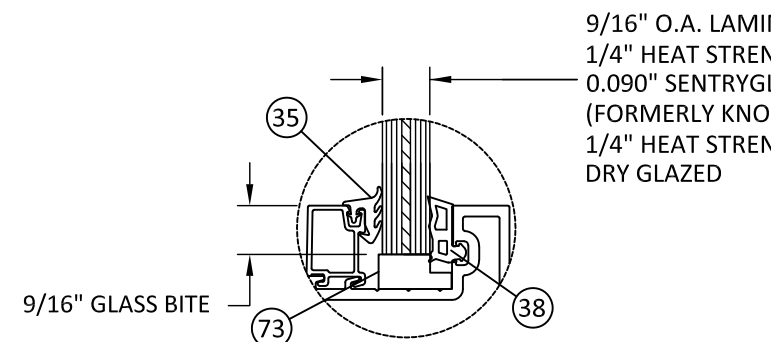
GLAZING DETAIL D



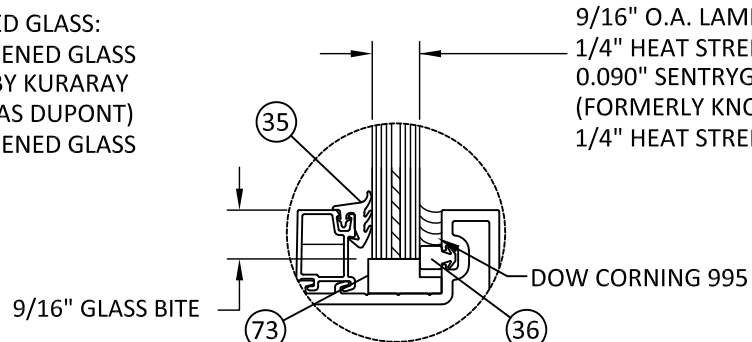
GLAZING DETAIL E



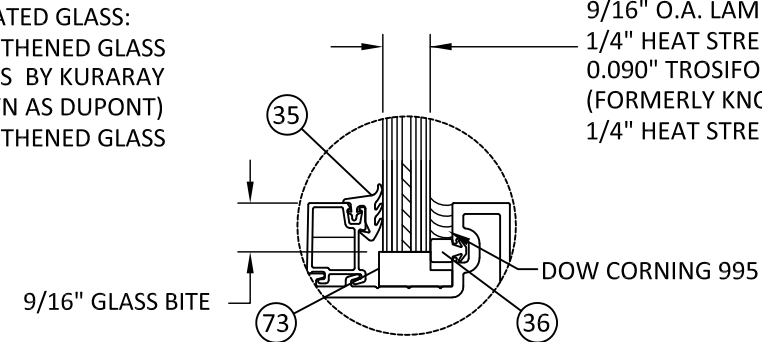
GLAZING DETAIL A1



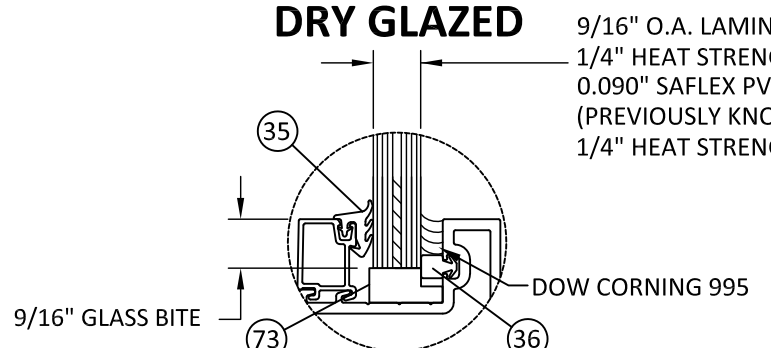
**GLAZING DETAIL B1
DRY GLAZED**



GLAZING DETAIL C1



GLAZING DETAIL D1



GLAZING DETAIL E1

AIR SPACE CONSISTING OF :
 - SPACER: ALUMINUM BOX SPACER.
 - PRIMARY SEALANT: POLYISOBUTYLENE (PIB).
 - SECONDARY SEALANT: STRUCTURAL SILICONE INTENDED FOR FABRICATION OF INSULATING GLASS UNITS.

- GLAZING NOTES:**
- GLASS TYPE AND THICKNESS SHALL COMPLY WITH ASTM E1300 REQUIREMENTS AS WELL AS APPLICABLE SAFETY GLAZING REQUIREMENTS PER THE IBC. THICKNESS, TEMPER, AND SAFETY GLAZING REQUIREMENTS SHALL BE REVIEWED ON A SITE SPECIFIC BASIS.
 - D.L.O. AND DESIGN PRESSURES MAY NOT EXCEED MAX VALUES IN DP TABLE ON SHEET 1.



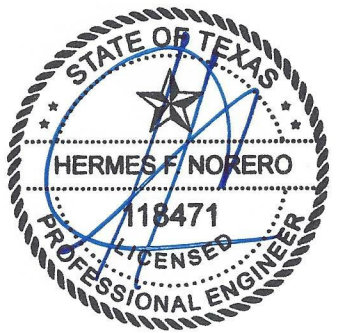
YKK AP America Inc.
 1229 HWY 441 BYPASS
 DUBLIN, GEORGIA 31021
 PH: (478)277-1955 FAX: (678)838-6001

TITLE: SERIES 35H ALUMINUM OUTSWING
 ENTRANCE DOOR
 (IMPACT)
 GLAZING DETAILS 1

PREPARED BY: **BUILDING DROPS, INC.**
 398 E. DANIA BEACH BLVD., STE. 338
 DANIA BEACH, FL 33004
 PH: (954)399-8478
 FAX: (954)744-4738
 WEB: www.buildingdrops.com

REMARKS	BY	DATE

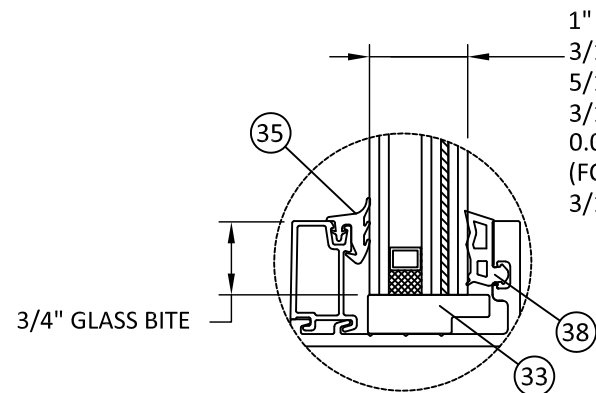
THE INSTALLATION DETAILS DESCRIBED HEREIN ARE GENERIC AND MAY NOT REFLECT ACTUAL CONDITIONS FOR A SPECIFIC SITE. IF SITE CONDITIONS CAUSE INSTALLATION TO DEVIATE FROM THE REQUIREMENTS DETAILED HEREIN, A LICENSED ENGINEER OR ARCHITECT SHALL PREPARE SITE SPECIFIC DOCUMENTS FOR USE WITH THIS DOCUMENT.



HERMES F. NORERO, P.E.
 TEXAS P.E. No. 118471
 BUILDING DROPS, INC.
 398 E. DANIA BEACH BLVD. # 338
 DANIA BEACH, FL 33004
 TBPE FIRM No. 13734

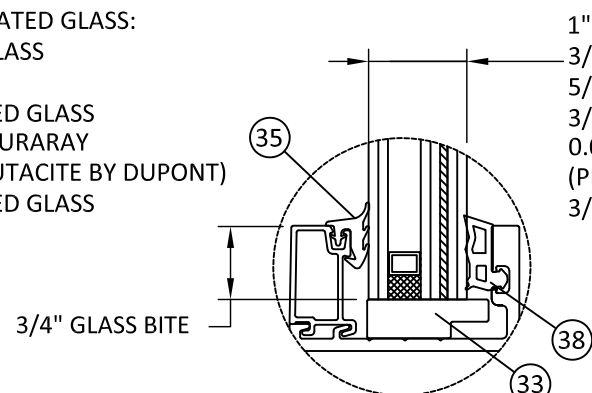
DATE:	10.21.21	
DWG. BY:	MS	CHK. BY: HFN
SCALE:	NTS	
DWG. #:	YKK284	
SHEET:	14	

SMALL MISSILE IMPACT ONLY



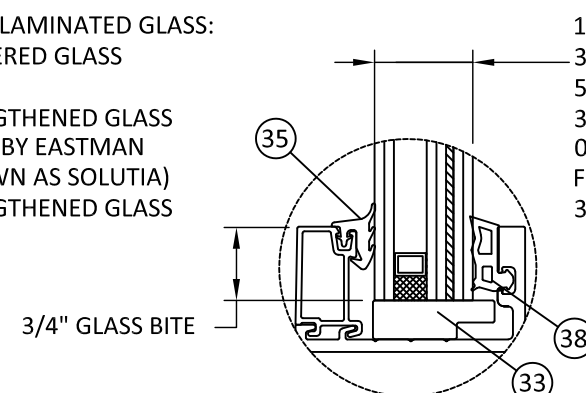
1" O.A. INSULATED LAMINATED GLASS:
 3/16" FULLY TEMPERED GLASS
 5/16" AIR SPACE
 3/16" HEAT STRENGTHENED GLASS
 0.060" TROSIFOL PVB BY KURARAY
 (FORMERLY KNOWN AS BUTACITE BY DUPONT)
 3/16" HEAT STRENGTHENED GLASS

GLAZING DETAIL F
DRY GLAZED



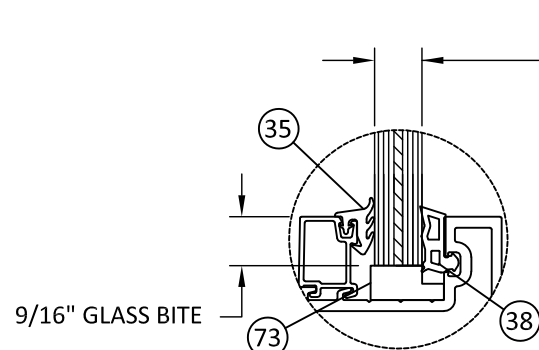
1" O.A. INSULATED LAMINATED GLASS:
 3/16" FULLY TEMPERED GLASS
 5/16" AIR SPACE
 3/16" HEAT STRENGTHENED GLASS
 0.060" SAFLEX PVB BY EASTMAN
 (PREVIOUSLY KNOWN AS SOLUTIA)
 3/16" HEAT STRENGTHENED GLASS

GLAZING DETAIL G
DRY GLAZED



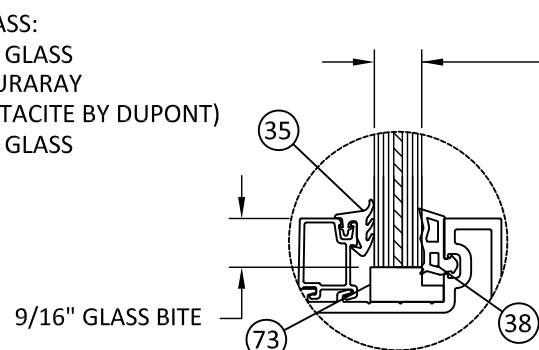
1" O.A. INSULATED LAMINATED GLASS:
 3/16" FULLY TEMPERED GLASS
 5/16" AIR SPACE
 3/16" HEAT STRENGTHENED GLASS
 0.035" SENTRYGLAS BY KURARAY
 FORMERLY KNOWN AS DUPONT)
 3/16" HEAT STRENGTHENED GLASS

GLAZING DETAIL H
DRY GLAZED



9/16" O.A. LAMINATED GLASS:
 1/4" HEAT STRENGTHENED GLASS
 0.060" TROSIFOL PVB BY KURARAY
 (FORMERLY KNOWN AS BUTACITE BY DUPONT)
 1/4" HEAT STRENGTHENED GLASS

GLAZING DETAIL F1
DRY GLAZED



9/16" O.A. LAMINATED GLASS:
 1/4" HEAT STRENGTHENED GLASS
 0.060" SAFLEX PVB BY EASTMAN
 (PREVIOUSLY KNOWN AS SOLUTIA)
 1/4" HEAT STRENGTHENED GLASS

GLAZING DETAIL G1
DRY GLAZED

AIR SPACE CONSISTING OF :
 - SPACER: ALUMINUM BOX SPACER.
 - PRIMARY SEALANT: POLYISOBUTYLENE (PIB).
 - SECONDARY SEALANT: STRUCTURAL SILICONE
 INTENDED FOR FABRICATION OF INSULATING
 GLASS UNITS.

GLAZING NOTES:
 1. GLASS TYPE AND THICKNESS SHALL COMPLY WITH ASTM E1300 REQUIREMENTS AS WELL AS APPLICABLE SAFETY GLAZING REQUIREMENTS PER THE IBC. THICKNESS, TEMPER, AND SAFETY GLAZING REQUIREMENTS SHALL BE REVIEWED ON A SITE SPECIFIC BASIS.
 2. D.L.O. AND DESIGN PRESSURES MAY NOT EXCEED MAX VALUES IN DP TABLE ON SHEET 1.



YKK AP America Inc.
 1229 HWY 441 BYPASS
 DUBLIN, GEORGIA 31021
 PH: (478)277-1955 FAX: (678)838-6001

TITLE: SERIES 35H ALUMINUM OUTSWING
 ENTRANCE DOOR
 (IMPACT)
 GLAZING DETAILS 2

PREPARED BY:
BUILDING DROPS, INC.
 398 E. DANIA BEACH BLVD., STE. 338
 DANIA BEACH, FL 33004
 PH: (954)399-8478
 FAX: (954)744-4738
 WEB: www.buildingdrops.com



REMARKS	BY	DATE

THE INSTALLATION DETAILS DESCRIBED HEREIN ARE GENERIC AND MAY NOT REFLECT ACTUAL CONDITIONS FOR A SPECIFIC SITE. IF SITE CONDITIONS CAUSE INSTALLATION TO DEVIATE FROM THE REQUIREMENTS DETAILED HEREIN, A LICENSED ENGINEER OR ARCHITECT SHALL PREPARE SITE SPECIFIC DOCUMENTS FOR USE WITH THIS DOCUMENT.



HERMES F. NORERO, P.E.
 TEXAS P.E. No. 118471
 BUILDING DROPS, INC
 398 E. DANIA BEACH BLVD. # 338
 DANIA BEACH, FL 33004
 TBPE FIRM No. 13734

DATE: **10.21.21**

DWG. BY: **MS** CHK. BY: **HFN**

SCALE: **NTS**

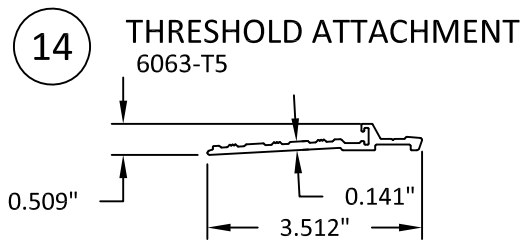
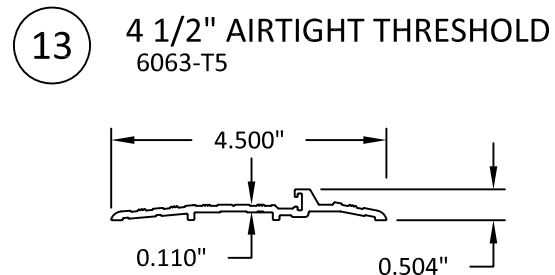
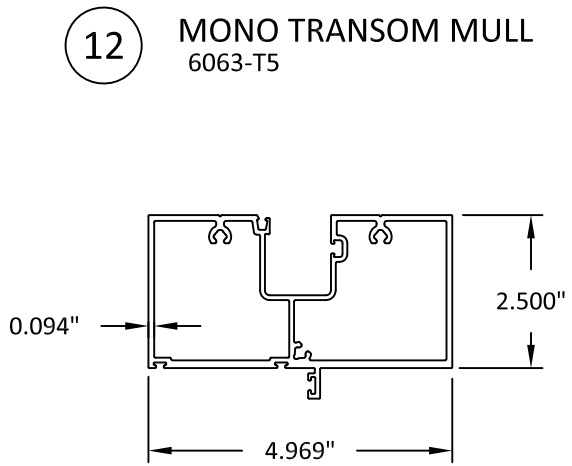
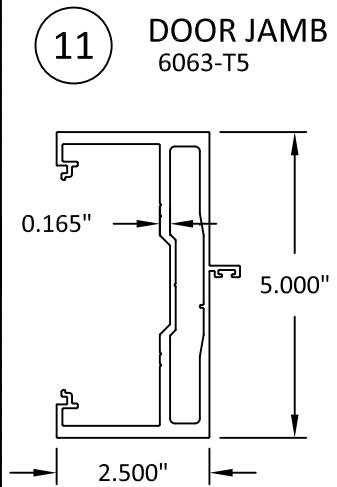
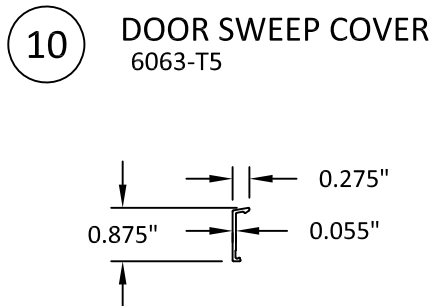
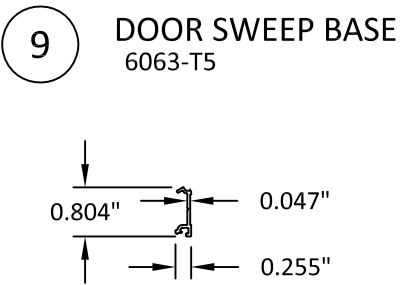
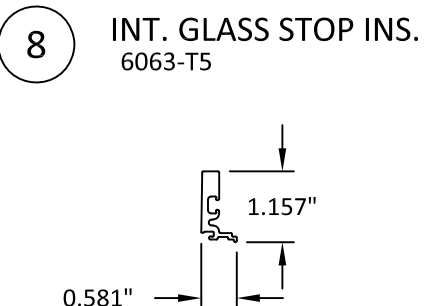
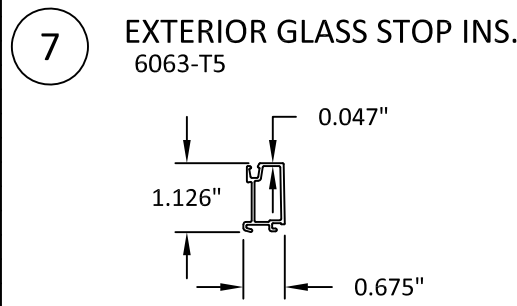
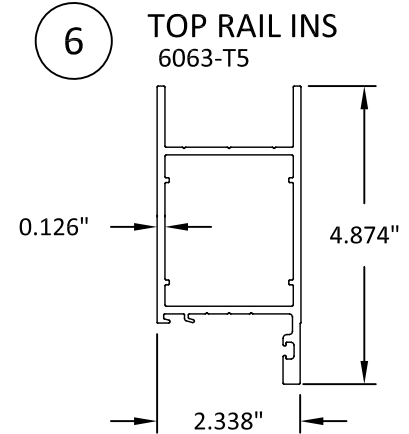
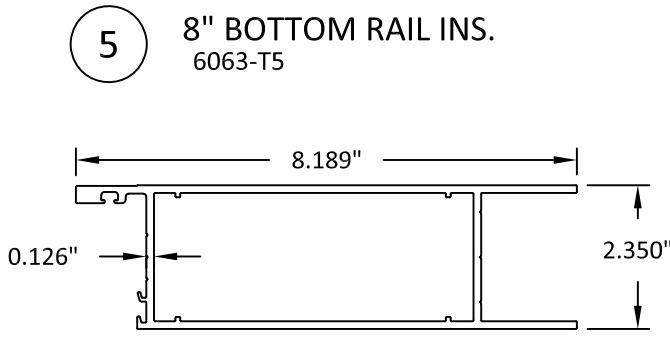
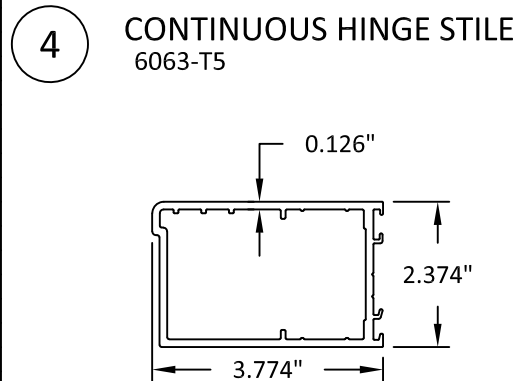
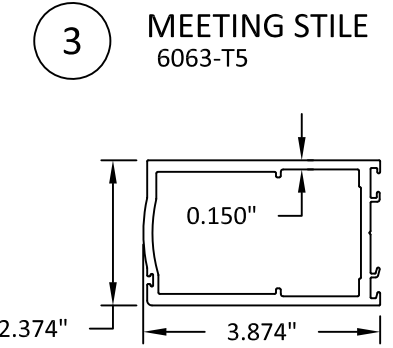
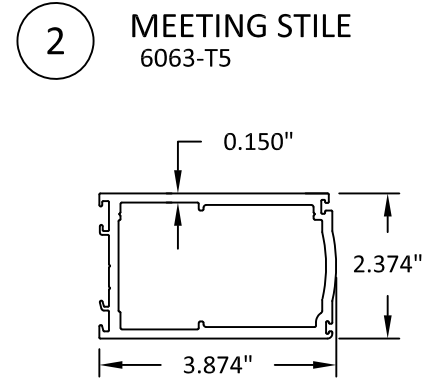
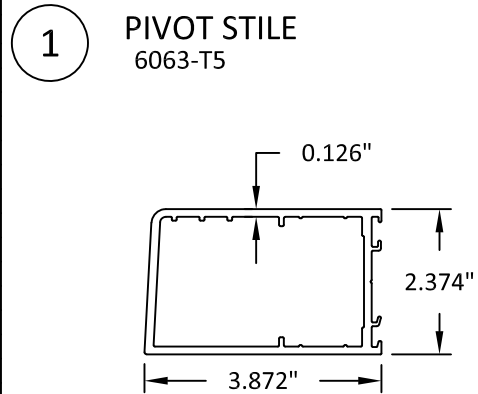
DWG. #: **YKK284**

SHEET: **15**

s:\projects\ykk_ap_america, inc.\tdi-21-0933 - tdi submittal - revision (35h - aluminum outswing entrance door & 50h - aluminum outswing entrance door)\dwgs\ykk284.dwg 11/9/2021 11:12 AM

35H DOOR BILL OF MATERIAL

ITEM #	PART #	DESCRIPTION	MATERIAL	MANUFACTURER
1	E9-0222	PIVOT STILE	6063-T5	YKK AP
2	E9-0230	MEETING STILE	6063-T5	YKK AP
3	E9-0223	MEETING STILE	6063-T5	YKK AP
4	E9-0236	CONTINUOUS HINGE STILE	6063-T5	YKK AP
5	E9-0251	8" BOTTOM RAIL INS.	6063-T5	YKK AP
6	E9-0253	TOP RAIL INS.	6063-T5	YKK AP
7	E9-0255	EXTERIOR GLASS STOP INS.	6063-T5	YKK AP
8	E9-0254	INTERIOR GLASS STOP INS.	6063-T5	YKK AP
9	E9-0347	DOOR SWEEP BASE	6063-T5	YKK AP
10	E9-0348	DOOR SWEEP COVER	6063-T5	YKK AP
11	E9-0504	DOOR JAMB	6063-T5	YKK AP
12	E9-0501	MONO. TRANSOM MULL	6063-T5	YKK AP
13	E9-0487	4 1/2" AIRTIGHT THRESHOLD	6063-T5	YKK AP
14	E9-0503	THRESHOLD ATTACHMENT	6063-T5	YKK AP
15	E9-0502	THRESHOLD	6063-T5	YKK AP
16	E9-0619	SILL FLASHING	6063-T5	YKK AP
17	E9-0522	REMOVABLE MULLION	6063-T5	YKK AP
18	E9-0227	SHEAR CLIP	6063-T5	YKK AP
19	E9-0231	LOCK BASE	6063-T5	YKK AP
20	E9-0510	HINGE BACKER	6063-T5	YKK AP
21	E9-0657	FLAT FILLER	6063-T5	YKK AP
22	E1-0311	BACKER PLATE	STEEL	
23	E1-0312	BACKER PLATE	STEEL	
24	E1-0351	JOINT CLIP	6063-T5	YKK AP
25	E1-0353	LOCK BASE	6063-T5	YKK AP
26	E1-0357	HINGE BACK PLATE	6063-T5	YKK AP
27	E1-0381	JOINT CLIP	6063-T5	YKK AP
28	E1-1050	END DAM	6063-T5	YKK AP
29	E1-1056	THRESHOLD CLIP	STEEL	
30	E1-1068	FLAT FILLER	6063-T5	YKK AP
31	E2-0051	AIRTIGHT GASKET	PVC	
32	E2-0062	WEATHERSTRIP	POLYPROPYLENE	
33	E2-0063	SETTING BLOCK	EPDM	
34	E2-0067	DOOR SWEEP GASKET	EPDM	
35	E2-0083	EXTERIOR GASKET	EPDM	
36	E2-0085	SPACER GASKET	PC EPDM	
37	E2-0087	WEATHERSTRIP	POLYPROPYLENE	
38	E2-0088	INTERIOR GASKET	EPDM	
39	E2-0093	ASTRAGAL GASKET	SILICONE	
40	E3-0005	ADJUSTABLE CAP	NYLON	
41	E4-0001	STANDARD LABEL	ALUMINUM	
42	E4-0028	IMPACT LABEL	ALUMINUM	
43	FC-1016	FH SMS	STEEL	
44	SM-3810	SH CAP SCREW	STEEL	
45	E9-0238	BOTTOM RAIL EXT. MONO.	6063-T5	YKK AP
46	27HD	CONTINUOUS HINGE		SELECT
47	780-226HD	CONTINUOUS HINGE		HAGAR-ROTON
48	BB1191	BUTT HINGES	STAINLESS STEEL	HAGAR
49	E9-0601	MONO TRANSOM HEADER	6063-T5	YKK AP
50	E9-0651	I.G. TRANSOM HEADER	6063-T5	YKK AP
51	E9-0520	MONO TRANSOM MULL	6063-T5	YKK AP
52	E9-0521	I.G. TRANSOM MULL	6063-T5	YKK AP
53	E9-0218	TRANSOM DOOR STOP	6063-T5	YKK AP
54	E1-1073	TRANSOM HEAD FILLER	6063-T5	YKK AP
55	E9-0221	7" BOTTOM RAIL MONO	6063-T5	YKK AP
56	E9-0220	TOP RAIL MONO	6063-T5	YKK AP
57	E9-0225	EXT. GLASS STOP MONO	6063-T5	YKK AP
58	E9-0226	INT. GLASS STOP MONO	6063-T5	YKK AP
59	E9-0217	MIDRAIL FILLER	6063-T5	YKK AP
60	E9-0237	PANIC MIDRAIL	6063-T5	YKK AP
61	E9-0235	8" BOTTOM RAIL MONO	6063-T5	YKK AP
62	E9-0517	I.G. TRANSOM MULL	6063-T5	YKK AP
63	E9-0245	I.G. BOTTOM RAIL EXT.	6063-T5	YKK AP
64	E1-0197	REM. MULL REINF.	STEEL (MIN. A36)	YKK AP
65	E9-3181	CW SUBFRAME - HEAD	6063-T5	YKK AP
66	E9-3180	CW SUBFRAME - JAMBS	6063-T5	YKK AP
67	E9-8344	2 1/2" CROSS RAIL	6063-T5	YKK AP
68	E9-0233	10" BOTTOM RAIL MONO.	6063-T5	YKK AP
69	E9-0252	10" BOTTOM RAIL INS.	6063-T5	YKK AP
70	E9-0511	THRESHOLD RAMP	6063-T5	YKK AP
71	E9-0512	THRESHOLD RAMP	6063-T5	YKK AP
72	E9-0513	THRESHOLD RAMP	6063-T5	YKK AP
73	E2-0086	SETTING BLOCK	EPDM	
74	E2-0737	SETTING BLOCK	EPDM	
75	E2-0095	SETTING BLOCK	EPDM	
76	E1-0370	SHEAR BLOCK	6063-T5	YKK AP
77	BB-1199	HAGER BUTT HINGE	STAINLESS STEEL	HAGER



NOTE: BOTTOM RAIL SHALL BE, AT MINIMUM, 7 5/16"



YKK AP America Inc.
1229 HWY 441 BYPASS
DUBLIN, GEORGIA 31021
PH: (478)277-1955 FAX: (678)838-6001

TITLE: SERIES 35H ALUMINUM OUTSWING ENTRANCE DOOR (IMPACT)
COMPONENTS & BILL OF MATERIALS
PREPARED BY: BUILDING DROPS, INC.
398 E. DANIA BEACH BLVD., STE. 338
DANIA BEACH, FL 33004
PH: (954)399-8478
FAX: (954)744-4738
WEB: www.buildingdrops.com

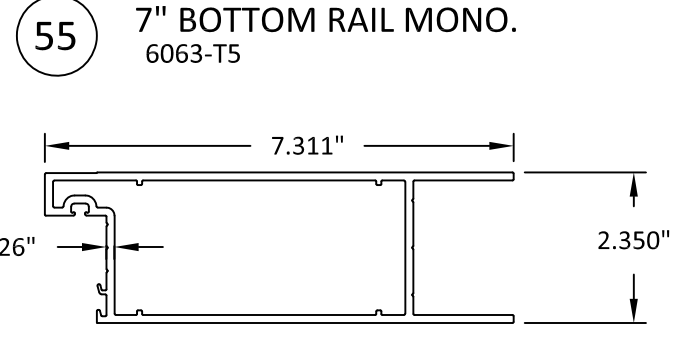
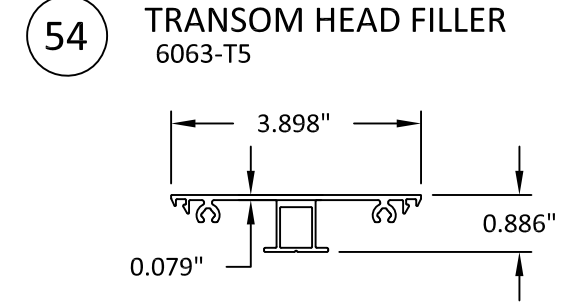
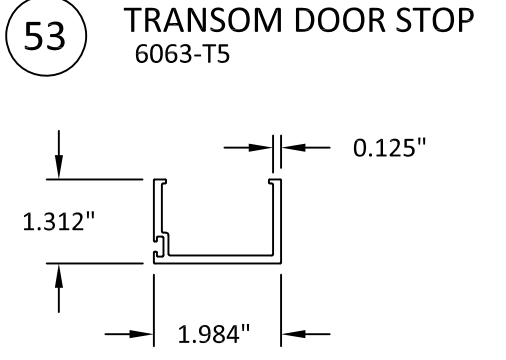
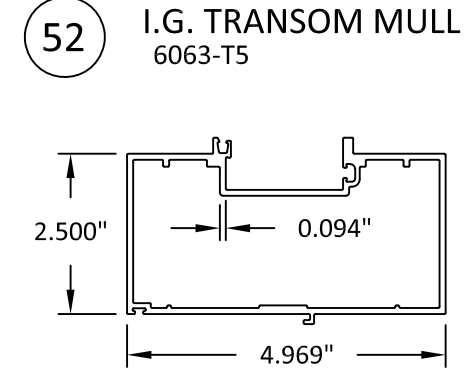
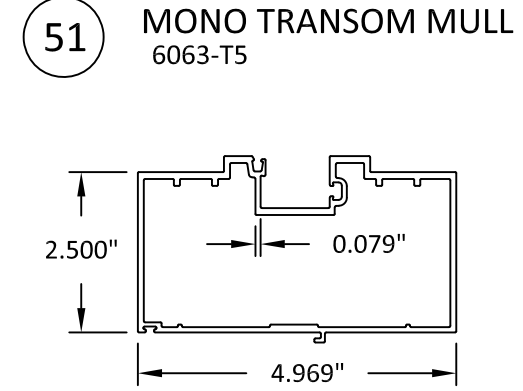
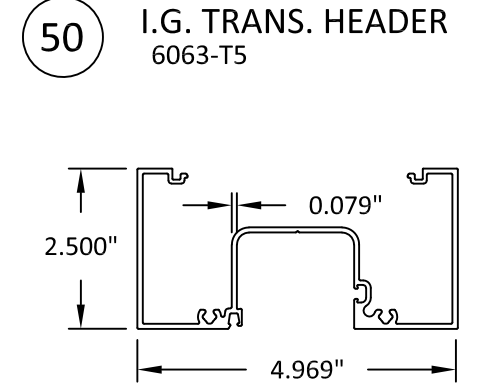
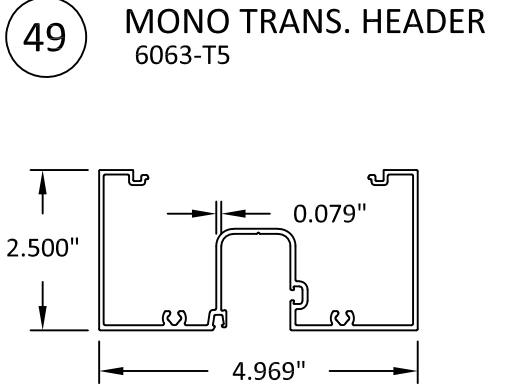
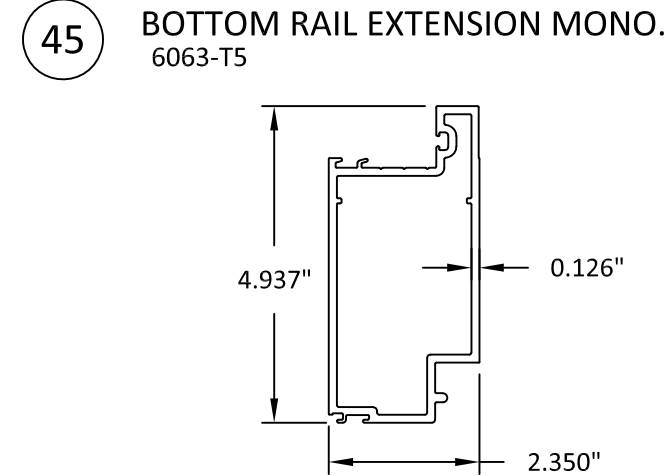
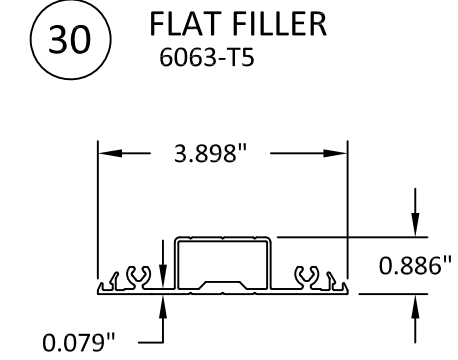
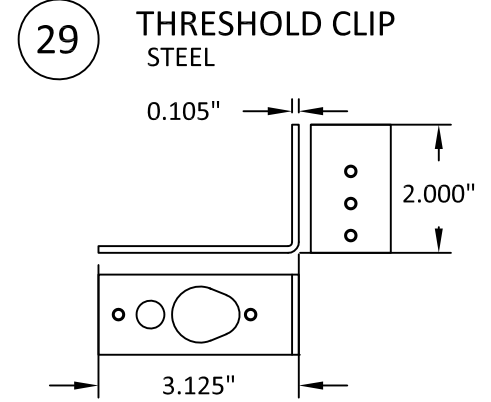
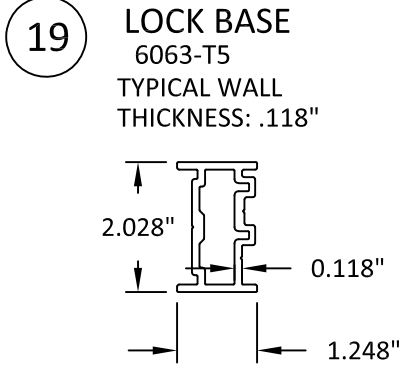
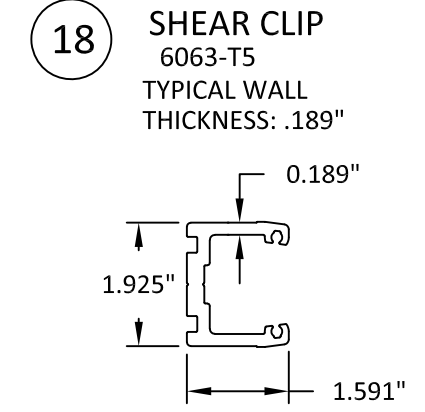
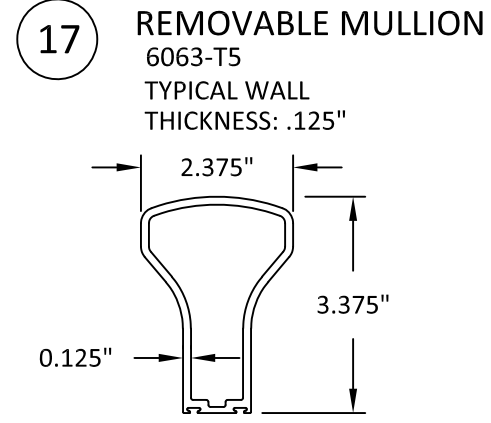
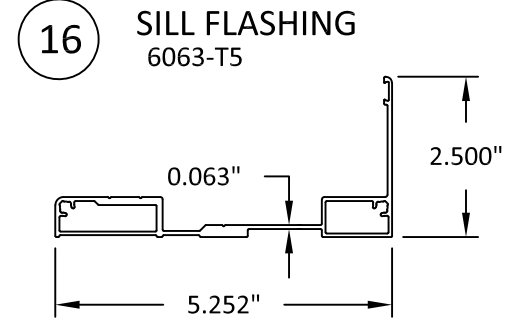
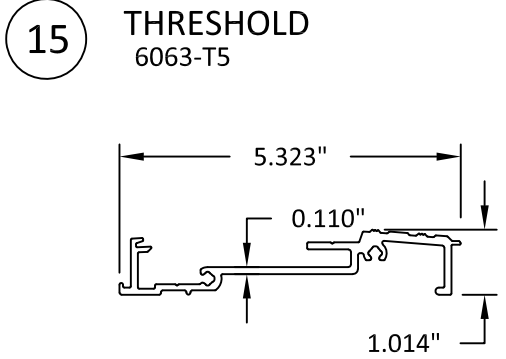
REMARKS	BY	DATE

THE INSTALLATION DETAILS DESCRIBED HEREIN ARE GENERIC AND MAY NOT REFLECT ACTUAL CONDITIONS FOR A SPECIFIC SITE. IF SITE CONDITIONS CAUSE INSTALLATION TO DEVIATE FROM THE REQUIREMENTS DETAILED HEREIN, A LICENSED ENGINEER OR ARCHITECT SHALL PREPARE SITE SPECIFIC DOCUMENTS FOR USE WITH THIS DOCUMENT.



HERMES F. NORERO, P.E.
TEXAS P.E. No. 118471
BUILDING DROPS, INC
398 E. DANIA BEACH BLVD. # 338
DANIA BEACH, FL 33004
TBP E FIRM No. 13734

DATE:	10.21.21
DWG. BY:	MS
CHK. BY:	HFN
SCALE:	NTS
DWG. #:	YKK284
SHEET:	16



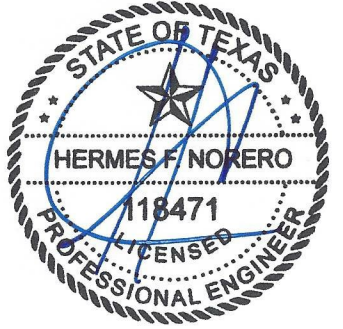
YKK AP America Inc.
1229 HWY 441 BYPASS
DUBLIN, GEORGIA 31021
PH: (478)277-1955 FAX: (678)838-6001

TITLE: SERIES 35H ALUMINUM OUTSWING ENTRANCE DOOR (IMPACT) COMPONENTS (1)

PREPARED BY: **BUILDING DROPS, INC.**
398 E. DANIA BEACH BLVD., STE. 338
DANIA BEACH, FL 33004
PH: (954)399-8478
FAX: (954)744-4738
WEB: www.buildingdrops.com

REMARKS	BY	DATE

THE INSTALLATION DETAILS DESCRIBED HEREIN ARE GENERIC AND MAY NOT REFLECT ACTUAL CONDITIONS FOR A SPECIFIC SITE. IF SITE CONDITIONS CAUSE INSTALLATION TO DEVIATE FROM THE REQUIREMENTS DETAILED HEREIN, A LICENSED ENGINEER OR ARCHITECT SHALL PREPARE SITE SPECIFIC DOCUMENTS FOR USE WITH THIS DOCUMENT.

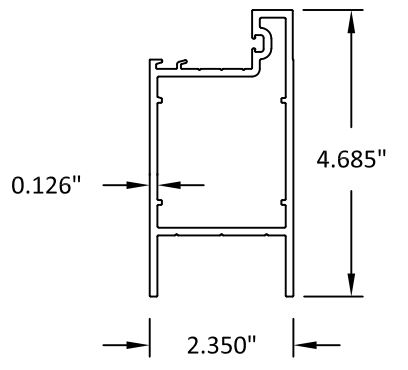


HERMES F. NORERO, P.E.
TEXAS P.E. No 118471
BUILDING DROPS, INC
398 E. DANIA BEACH BLVD. # 338
DANIA BEACH, FL 33004
TBPE FIRM No. 13734

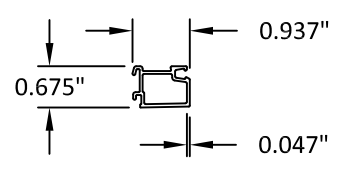
DATE:	10.21.21
DWG. BY:	MS
CHK. BY:	HFN
SCALE:	NTS
DWG. #:	YKK284
SHEET:	17

11/9/2021 11:12 AM
s:\projects\ykk_ap_america, inc.\tdi-21-0933 - tdi submittal - revision (35h - aluminum outswing entrance door & 50h - aluminum outswing entrance door)\dwgs\ykk284.dwg

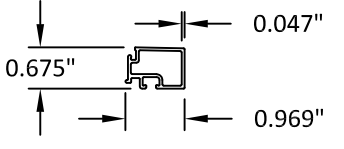
56 TOP RAIL - MONO.
6063-T5



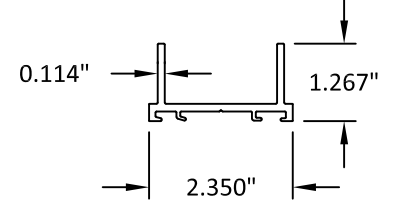
57 EXT. GLASS STOP-MONO.
6063-T5



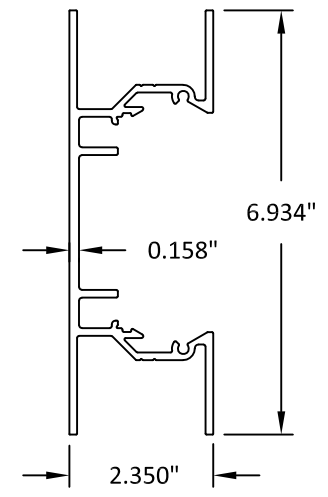
58 INT. GLASS STOP-MONO.
6063-T5



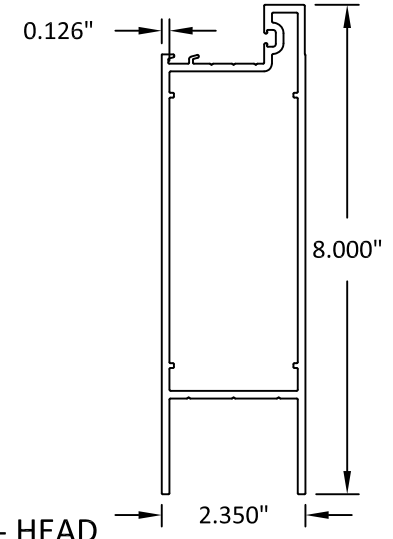
59 MIDRAIL FILLER
6063-T5



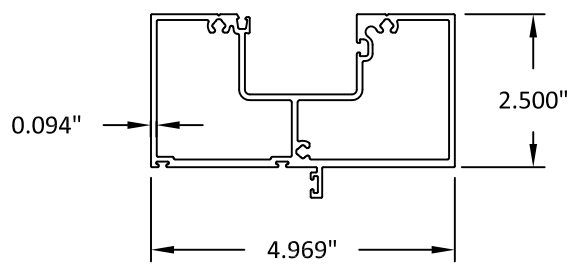
60 PANIC MIDRAIL
6063-T5



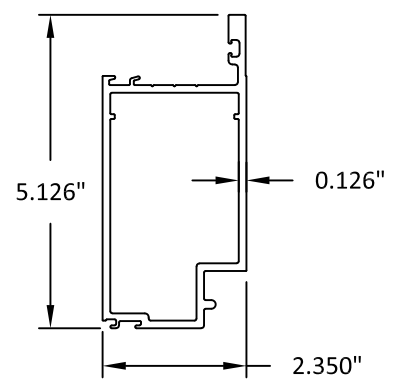
61 8" BOTTOM RAIL MONO.
6063-T5



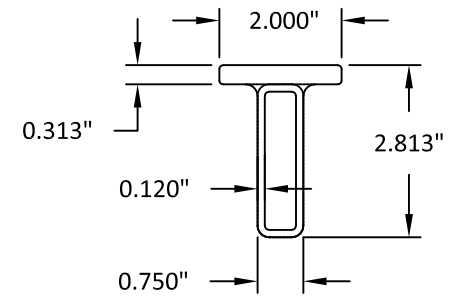
62 I.G. TRANSOM MULL
6063-T5



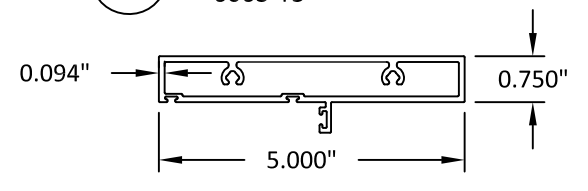
63 I.G. BOTTOM RAIL EXT.
6063-T5



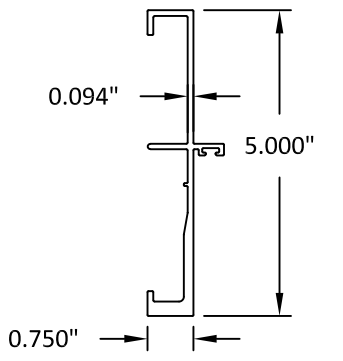
64 REMOVABLE MULL REINFORCEMENT
STEEL



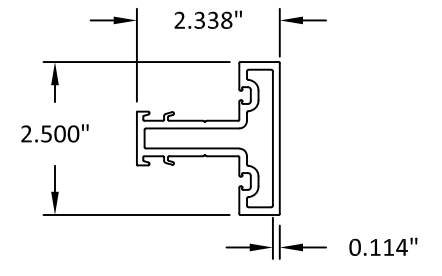
65 CW SUBFRAME - HEAD
6063-T5



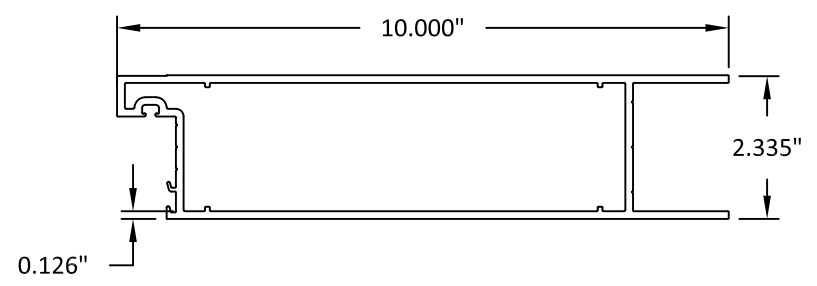
66 CW SUBFRAME - JAMBS
6063-T5



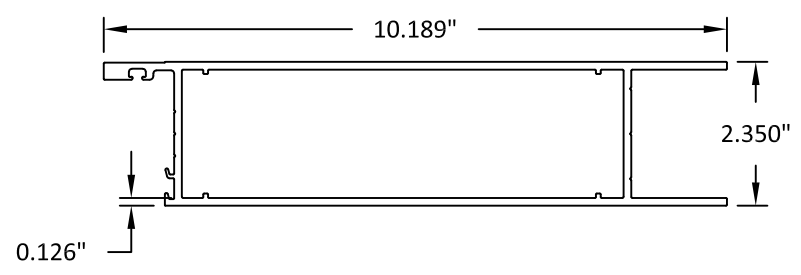
67 2 1/2" CROSS RAIL
6063-T5



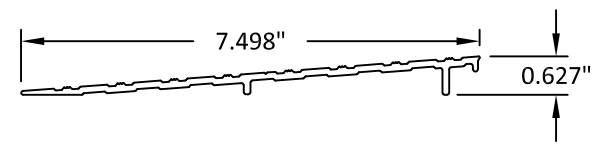
68 10" BOTTOM RAIL MONO.
6063-T5



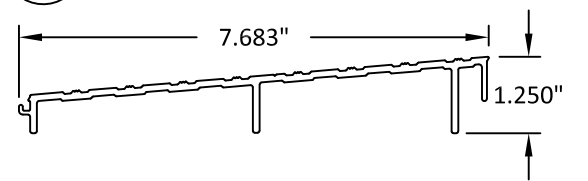
69 10" BOTTOM RAIL INS.
6063-T5



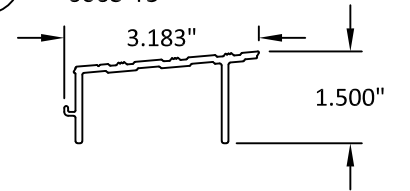
70 THRESHOLD RAMP
6063-T5



71 THRESHOLD RAMP
6063-T5



72 THRESHOLD RAMP
6063-T5



YKK AP America Inc.
1229 HWY 441 BYPASS
DUBLIN, GEORGIA 31021
PH: (478)277-1955 FAX: (678)838-6001

TITLE: SERIES 35H ALUMINUM OUTSWING
ENTRANCE DOOR
(IMPACT)
COMPONENTS (2)

PREPARED BY:
BUILDING DROPS, INC.
398 E. DANIA BEACH BLVD., STE. 338
DANIA BEACH, FL 33004
PH: (954)399-8478
FAX: (954)744-4738
WEB: www.buildingdrops.com

REMARKS	BY	DATE

THE INSTALLATION DETAILS DESCRIBED HEREIN ARE GENERIC AND MAY NOT REFLECT ACTUAL CONDITIONS FOR A SPECIFIC SITE. IF SITE CONDITIONS CAUSE INSTALLATION TO DEVIATE FROM THE REQUIREMENTS DETAILED HEREIN, A LICENSED ENGINEER OR ARCHITECT SHALL PREPARE SITE SPECIFIC DOCUMENTS FOR USE WITH THIS DOCUMENT.



HERMES F. NORERO, P.E.
TEXAS P.E. No. 118471
BUILDING DROPS, INC
398 E. DANIA BEACH BLVD. # 338
DANIA BEACH, FL 33004
TBPE FIRM No. 13734

DATE:	10.21.21
DWG. BY:	MS
CHK. BY:	HFN
SCALE:	NTS
DWG. #:	YKK284
SHEET:	18