

GENERAL NOTES:

- ALL FASTENERS SHALL BE IN ACCORDANCE WITH THESE DRAWINGS. SPECIFIED ANCHOR EMBED TO BASE MATERIAL SHALL BE BEYOND WALL FINISH OR STUCCO.
- OPENINGS, BUCKING & BUCKING FASTENERS MUST BE PROPERLY DESIGNED & INSTALLED TO TRANSFER WIND LOADS TO THE STRUCTURE.
- THESE NON-IMPACT RATED PRODUCT INSTALLATIONS ARE IN ACCORDANCE WITH AND MEET THE REQUIREMENTS OF THE 2018 INTERNATIONAL BUILDING CODE (IBC).
- ALL ANCHORS SECURING PRODUCT FRAME TO PRESSURE TREATED BUCKS OR WOOD FRAMING SHALL BE CAPABLE OF RESISTING CORROSION CAUSED BY THE PRESSURE TREATING CHEMICALS IN THE WOOD.
- TO THE BEST OF OUR KNOWLEDGE, THE PRODUCT SHOWN HEREIN IS CERTIFIED & QUALITY ASSURED BY A NATIONALLY ACCREDITED CERTIFICATION/QA ENTITY & SHALL BE LABELED IN ACCORDANCE WITH CERTIFICATION/QA ENTITIES SPECIFICATIONS. PRODUCT ASSEMBLY IS NOT PART OF THIS DRAWING AND SHALL BE IN ACCORDANCE WITH THE MANUFACTURER'S QUALITY ASSURANCE SPECIFICATIONS & TESTING REPORTS.
- CERTIFICATION OF THESE PRODUCT INSTALLATIONS SHALL BE CONSIDERED VOID IF ANY OF THE FOLLOWING APPLY: 1) THEY ARE INSTALLED WITHOUT A BUILDING PERMIT FROM THE APPLICABLE LOCAL BUILDING DEPARTMENT. 2) IF THEY ARE INSTALLED BY ANYONE OTHER THAN A LICENSED CONTRACTOR EXPERIENCED WITH WINDOW/DOOR INSTALLATIONS. 3) IF CHANGES HAVE OCCURRED TO THE PRODUCT'S CERTIFICATION ENTITY'S CERTIFICATE THAT CAUSE THESE INSTALLATIONS TO BE INCORRECT OR INCONSISTENT WITH WHAT HAS BEEN TESTED.
- THE LEAST DESIGN PRESSURE SPECIFIED EITHER IN THIS DRAWING OR IN THE PRODUCTS CERTIFICATION SHALL CONTROL FOR THE INSTALLED PRODUCT.
- THESE DRAWINGS CERTIFY THE PRODUCT INSTALLATION ONLY. WATER PROOFING OF THE INSTALLED PRODUCT IS NOT PART OF THIS INSTALLATION CERTIFICATION. THAT RESPONSIBILITY SHALL BE THAT OF THE MANUFACTURER &/OR INSTALLER.

THESE DRAWINGS ARE APPLICABLE ONLY TO THE PRODUCT SPECIFIED. THEY MAY NOT BE USED FOR THE ASSEMBLY AND/OR INSTALLATION OF ANY OTHER PRODUCT NOR MAY THEY BE USED FOR RATIONAL AND/OR LOCAL APPROVAL OF ANY PRODUCT NOT PRODUCED BY THE MANUFACTURER STATED ON THESE DRAWINGS.

DRAWN BY: W.W.S.	CHECKED BY: W.W.S.
PLOT: 1-24	DATE: 05/11/16

NO.	REVISION DESCRIPTION	DATE

JOB INFORMATION:
PELLA CORPORATION
 102 MAIN STREET
 PELLA, IA 50219
 641-621-1000

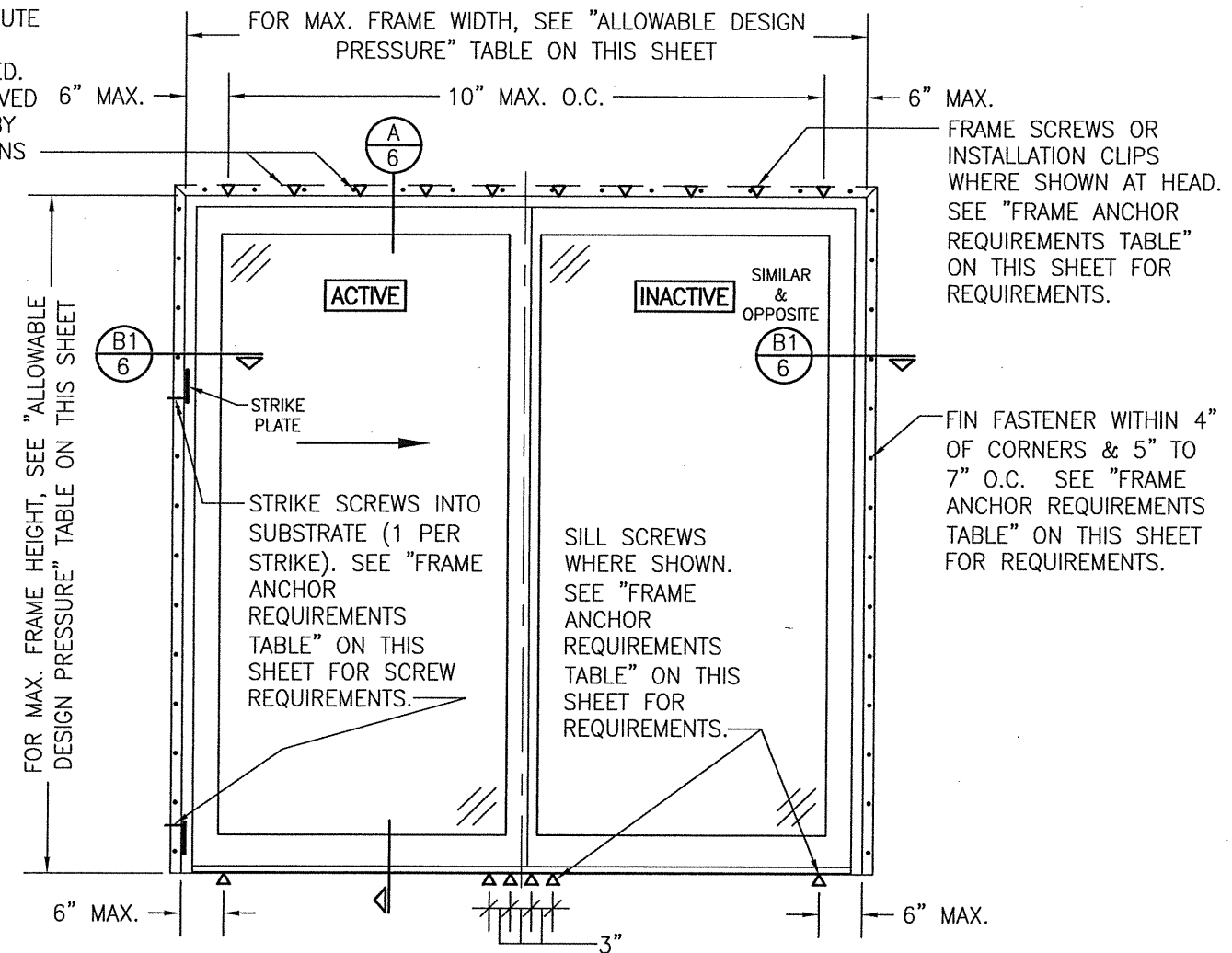
PELLA
W. W. SCHAEFER ENGINEERING & CONSULTING, P.A. (REG. NO. F-14980)
 7480 150TH COURT NORTH
 PALM BEACH GARDENS, FL 33418
 PHONE: 561-744-3424

WARREN W. SCHAEFER
 P.E.
 NO. 113497
 JUL 17 2020

DRAWING NO. 1659T	REV.
SHEET NO. 1	OF 7

LIFESTYLE W/HGP SERIES FRENCH & CONTEMPORARY NON-IMPACT SLIDING DOOR

NAIL FIN AND ANCHORING OF NAIL FIN IS OPTIONAL AT HEAD & SHALL NOT ACT AS A SUBSTITUTE FOR THE FRAME ANCHORS SPECIFIED. FIN MAY BE REMOVED WHEN REQUIRED BY OPENING CONDITIONS



**EXTERIOR ELEVATION;
 2-PANEL SLIDING DOOR**
 SCALE: 1/2" = 1'-0"
 (NAIL FIN MOUNT CONDITION)

(1) DOOR STYLE	MAX. FRAME WIDTH (IN.)	MAX. FRAME HEIGHT (IN.)	ALLOWABLE PRESSURE (+/- PSF)
CONTEMPORARY	95 1/4	95 1/2	40
FRENCH	95 1/4	95 1/2	50
FRENCH	95 1/4	82	55
FRENCH	71 1/4	95 1/2	60

(1) CONTEMPORARY & FRENCH ARE THE SAME EXCEPT THE DOOR PANEL STILES & RAILS OF THE FRENCH ARE TALLER THAN THE CONTEMPORARY.

FRAME ANCHOR REQUIREMENTS TABLE

OPENING TYPE (SUBSTRATE)	FRAME/CLIP/NAIL FIN TO OPENING FASTENER TYPE	MINIMUM EMBED	MINIMUM EDGE DIST.
FRAME/SILL SCREWS			
(4) MIN. 2X_ WOOD FRAME OR BUCK (MIN. GR. 3 & G=0.55)	NO. 10 SMS OR WOOD SCREW	1 1/4"	3/4"
MIN. 18 GA. 33 KSI METAL STUD	NO. 10 GR. 5 SELF TAP/DRILL SCREW	FULL	1/2"
MIN. 1/8" THK A36 STEEL	NO. 10 GR. 5 SELF TAP/DRILL SCREW	FULL	1/2"
MIN. 1/8" THK 6063-T5 ALUM.	NO. 10 GR. 5 SELF TAP/DRILL SCREW	FULL	1/2"
C-90 CMU/2500 PSI CONCRETE	(1) 1/4" CONCRETE SCREW	1 1/4"	2"
(2) INSTALLATION CLIP SCREWS (STANDARD BENT CONDITION)			
(4) MIN. 2X_ WOOD FRAME OR BUCK (MIN. GR. 3 & G=0.55)	NO. 8 X 1 1/2" SMS	1 3/8"	(2) N/A
MIN. 1/8" THK A36 STEEL	NO. 8 GR. 5 SELF TAP/DRILL SCREW	FULL	(2) N/A
MIN. 1/8" THK 6063-T5 ALUM.	NO. 8 GR. 5 SELF TAP/DRILL SCREW	FULL	(2) N/A
INSTALLATION CLIP SCREWS (ALTERNATE STRAIGHT CONDITION)			
MIN. 2X6 WOOD FRAME OR BUCK (MIN. GR. 3 & G=0.55)	NO. 8 X 1 1/2" SMS	1 3/8"	3/4"
MIN. 18 GA. 33 KSI METAL STUD	NO. 8 GR. 5 SELF TAP/DRILL SCREW	FULL	1/2"
MIN. 1/8" THK A36 STEEL	NO. 8 GR. 5 SELF TAP/DRILL SCREW	FULL	1/2"
MIN. 1/8" THK 6063-T5 ALUM.	NO. 8 GR. 5 SELF TAP/DRILL SCREW	FULL	1/2"
(3) NAILING FIN FASTENERS			
(4) MIN. 2X_ WOOD FRAME OR BUCK (MIN. GR. 3 & G=0.55)	NO. 8 X 1 1/2" SMS	1 3/8"	1/2"
MIN. 2X_ WOOD FRAME OR BUCK (MIN. GR. 3 & G=0.55)	11 GA. ROOFING NAIL	1 3/8"	1/2"
MIN. 1/8" THK A36 STEEL	NO. 8 GR. 5 SELF TAP/DRILL SCREW	FULL	1/2"
MIN. 1/8" THK 6063-T5 ALUM.	NO. 8 GR. 5 SELF TAP/DRILL SCREW	FULL	1/2"
STRIKE SCREWS			
(4) MIN. 2X_ WOOD FRAME OR BUCK (MIN. GR. 3 & G=0.55)	NO. 8 SMS OR WOOD SCREW	1 1/4"	3/4"
MIN. 18 GA. 33 KSI METAL STUD	NO. 8 GR. 5 SELF TAP/DRILL SCREW	FULL	1/2"
MIN. 1/8" THK A36 STEEL	NO. 8 GR. 5 SELF TAP/DRILL SCREW	FULL	1/2"
MIN. 1/8" THK 6063-T5 ALUM.	NO. 8 GR. 5 SELF TAP/DRILL SCREW	FULL	1/2"
C-90 CMU/2500 PSI CONCRETE	(1) 3/16" CONCRETE SCREW	1 1/4"	2"

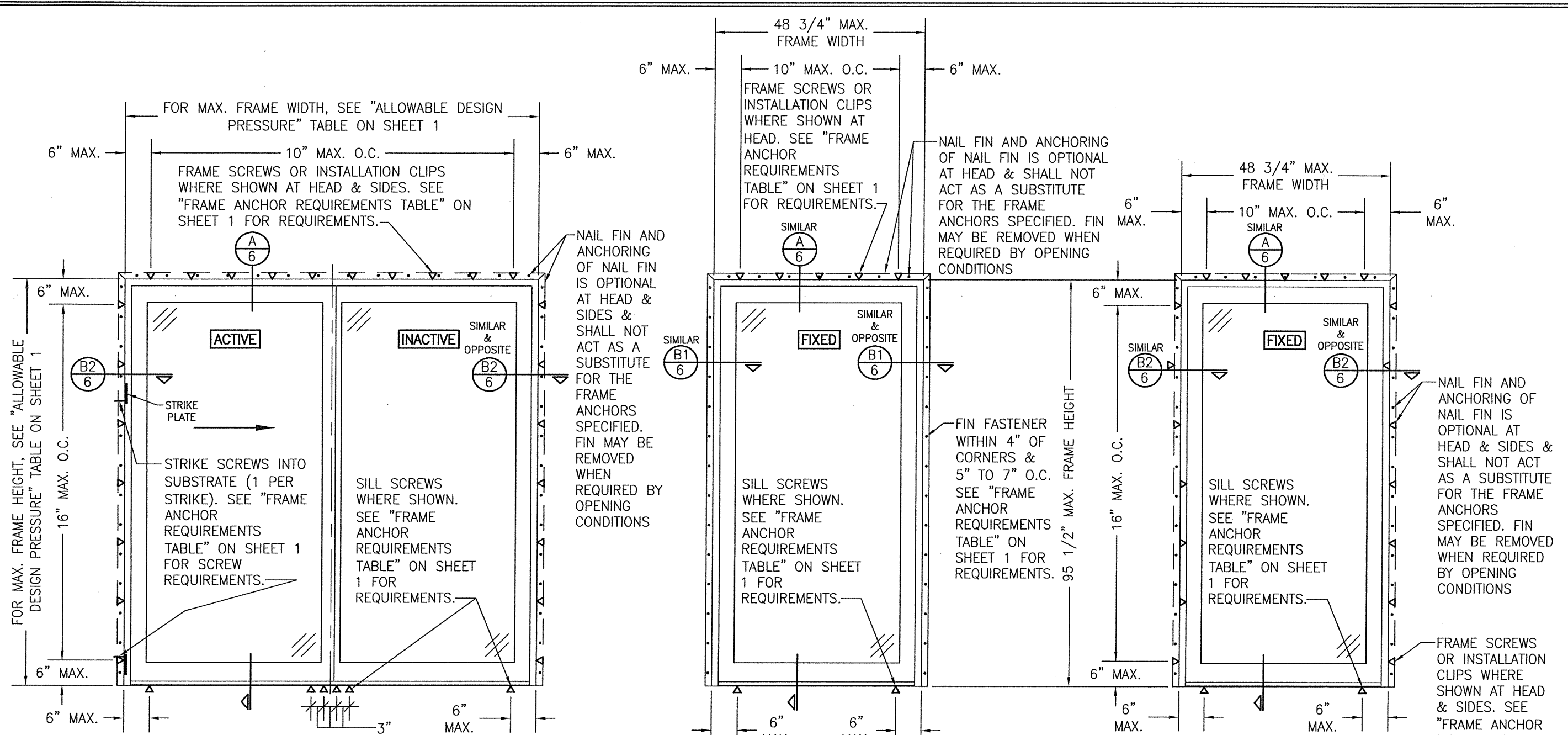
EDGE DISTANCE MAY BE DECREASED TO 1/2" IF SCREWS ARE ANGLED 15 TO 20 DEGREES AWAY FROM THE EDGE.

CONDITIONS SHOWN ON THIS DRAWING ARE GOVERNED BY INSTALLATION REQUIREMENTS ONLY. THE GOVERNING CONDITIONS ON ANY SPECIFIC PRODUCT SHALL BE THE LESSER OF THOSE SPECIFIED IN THE PRODUCTS TDI APPROVAL OR THAT SHOWN IN THESE DRAWINGS.

ALTERNATE ANCHOR/SUBSTRATE EVALUATION NOTE:
 ALL ALTERNATE ANCHORS IN THEIR SPECIFIED SUBSTRATES HAVE BEEN ANALYZED IN ACCORDANCE WITH THEIR APPLICABLE STANDARD(S) AND ARE FOUND TO BE EQUIVALENT TO OR STRONGER THAN THE ANCHOR(S) USED IN TESTING WITH THIS PRODUCT.

INSTALLATION EVALUATION IS BASED ON APPLICABLE ANCHOR STANDARDS AND/OR INFORMATION & RESULTS FROM APPLICABLE TEST REPORTS. THE BUILDING CODE VERSION CONSIDERED WITH THE EVALUATION WAS THAT IN FORCE AT THE TIME OF THE EVALUATION. IN THE EVENT OF CODE VERSION CHANGES/UPDATES OR IN THE EVENT THAT NEW OR ADDITIONAL TESTING IS COMPLETED ON THE REFERENCED PRODUCT, PRIOR TO STATING CODE COMPLIANCE, THE MANUFACTURER SHALL CONFIRM WITH THE INSTALLATION EVALUATION ENGINEER OF RECORD THAT THE INSTALLATIONS SPECIFIED HERE-IN ARE CURRENT WITH THE THEN CURRENT TESTING, CODE AND APPLICABLE STANDARDS.

- CONCRETE SCREWS SHALL BE ELCO ULTRACONS (C.S.), ELCO CRETE-FLEX (S.S.), ITW RAMSET/RED HEAD TAPCONS (C.S. OR S.S.) OR HILTI KWIK-CON II (C.S. OR S.S.).
- STANDARD BENT CLIP INSTALLATION SCREWS SHALL BE POSITIONED WITHIN 1/4" OF THE BUCK/SUBSTRATE EDGE AND, IF INTO WOOD, ANGLED 20 TO 30 DEGREES INTO THE BUCK.
- WHEN SCREWS ARE USED WITH THE NAIL FIN, THEY MUST BE A WAFFLE HEAD SCREW OR HAVE A FLAT WASHER AT THE SCREW HEAD.
- 2X_ BUCKS SHALL BE OF A MINIMUM DEPTH REQUIRED TO MEET ANCHOR EDGE DISTANCE REQUIREMENTS BUT NO LESS THAN 3 1/2" (2X4).



**EXTERIOR ELEVATION:
2-PANEL SLIDING DOOR**
SCALE: 1/2" = 1'-0"
(FRAME SCREW OR CLIP MOUNT CONDITION)

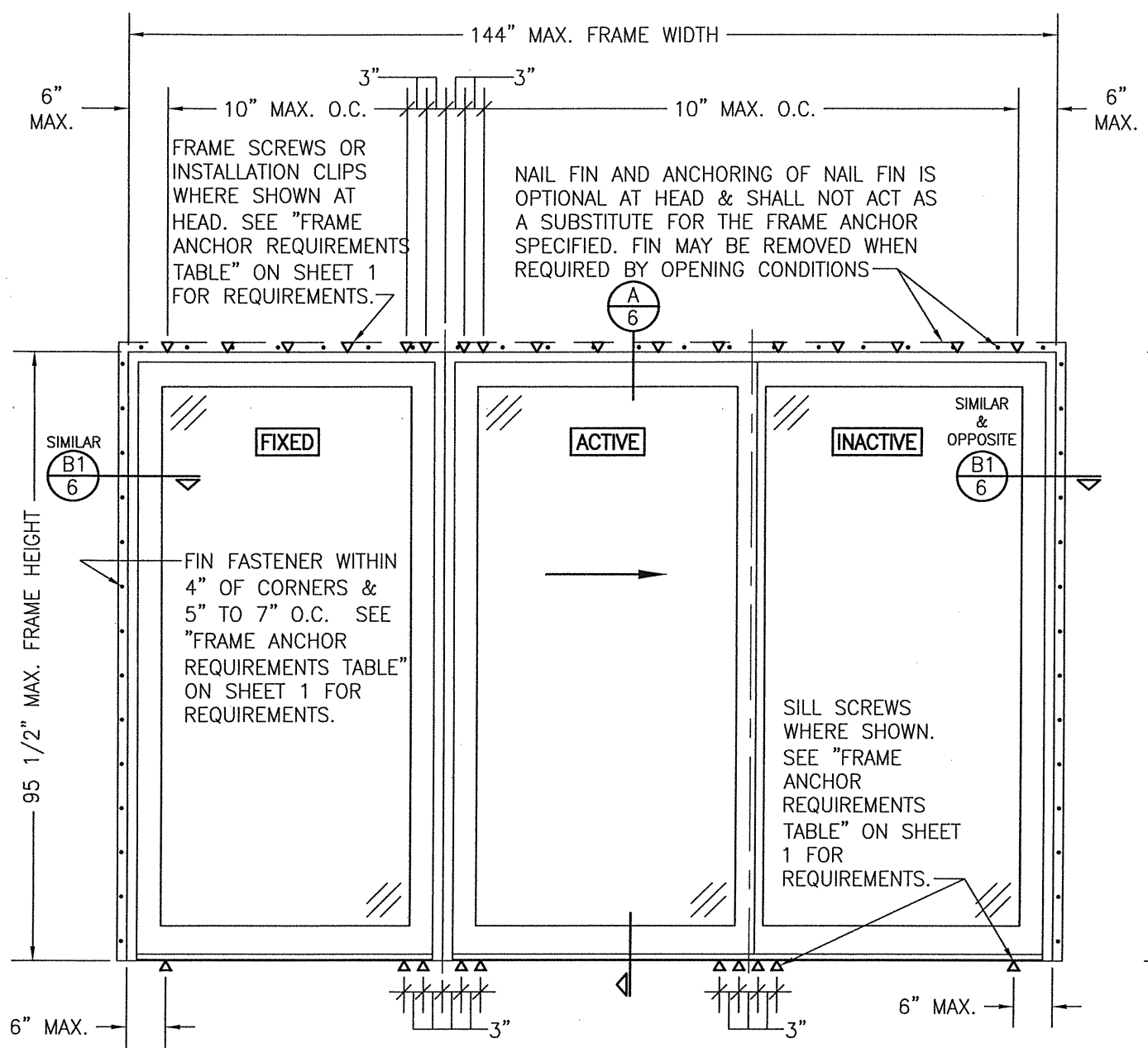
**EXTERIOR ELEVATION:
SINGLE FIXED PANEL DOOR**
SCALE: 1/2" = 1'-0"
(NAIL FIN MOUNT CONDITION)

**EXTERIOR ELEVATION:
SINGLE FIXED PANEL DOOR**
SCALE: 1/2" = 1'-0"
(FRAME SCREW OR CLIP MOUNT CONDITION)

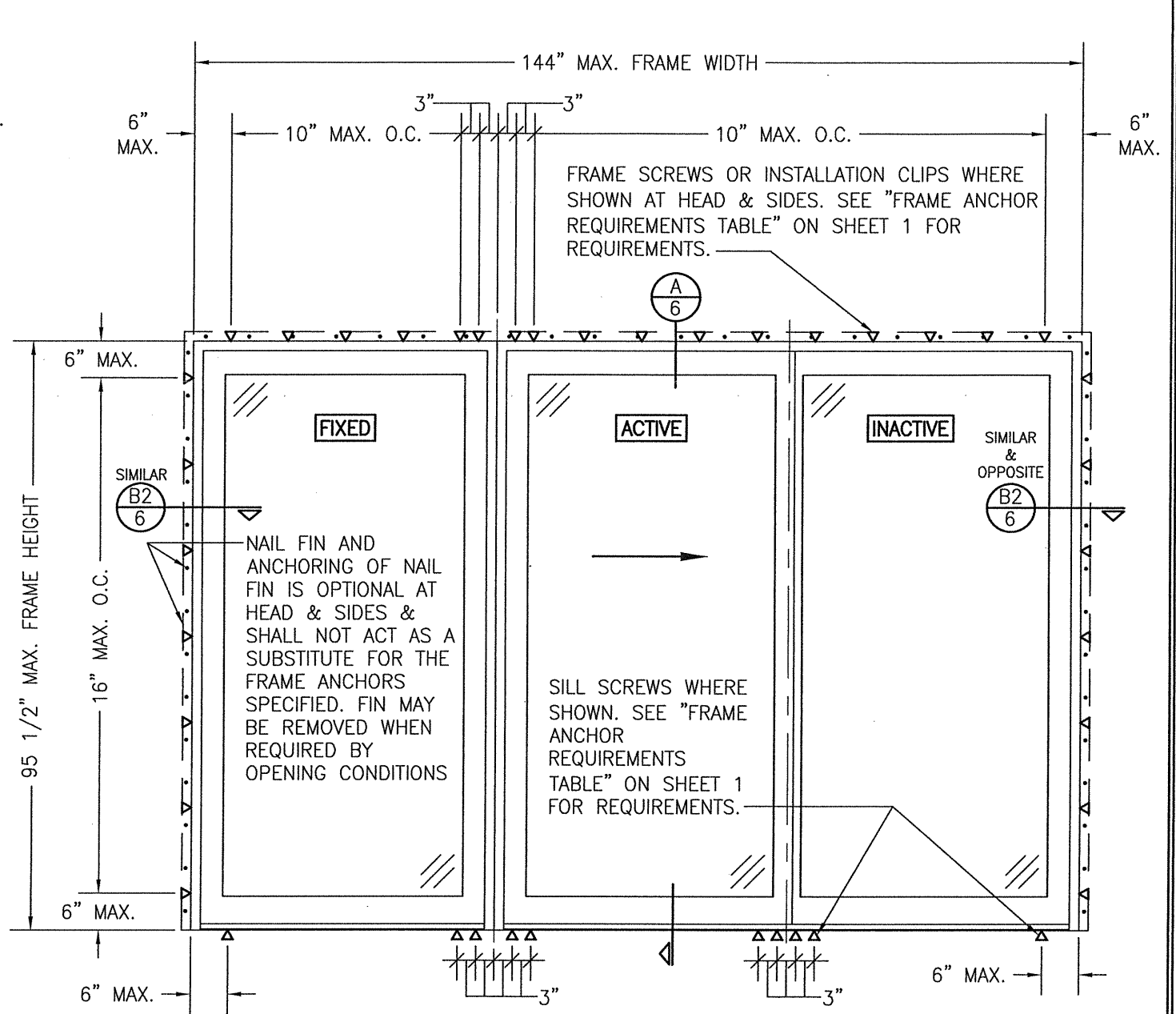
ALLOWABLE DESIGN PRESSURE
(2-PANEL SLIDING DOOR)
SEE 2-PANEL SLIDING DOOR TABLE ON SHEET 1

ALLOWABLE DESIGN PRESSURE
(CONTEMPORARY & FRENCH STYLE SINGLE FIXED PANEL DOOR)
+/- 60 PSF
(1) CONTEMPORARY & FRENCH ARE THE SAME EXCEPT THE DOOR PANEL STILES & RAILS OF THE FRENCH ARE TALLER THAN THE CONTEMPORARY.

DRAWN BY: W.W.S.	CHECKED BY: W.W.S.
PLOT: 1=24	DATE: 05/11/16
DATE	BY
REVISION DESCRIPTION	
NO.	
DRAWING TITLE LIFESTYLE W/HGP SERIES FRENCH & CONTEMPORARY NON-IMPACT SLIDING DOOR	
CONSULTANTS W. W. SCHAEFER ENGINEERING & CONSULTING, P.A. (REG. NO. F-14980) 7480 150TH COURT NORTH PALM BEACH GARDENS, FL 33418 PHONE: 561-744-3424	
JOB INFORMATION: PELLA CORPORATION 102 MAIN STREET PELLA, IA 50219 641-621-1000	
DRAWING NO. 1659T	REV.
SHEET NO. 2	OF 7

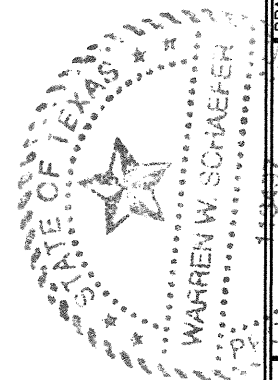


EXTERIOR ELEVATION:
2-PANEL SLIDING DOOR WITH SIDELIGHT
 SCALE: 1/2" = 1'-0"
 (NAIL FIN MOUNT CONDITION)

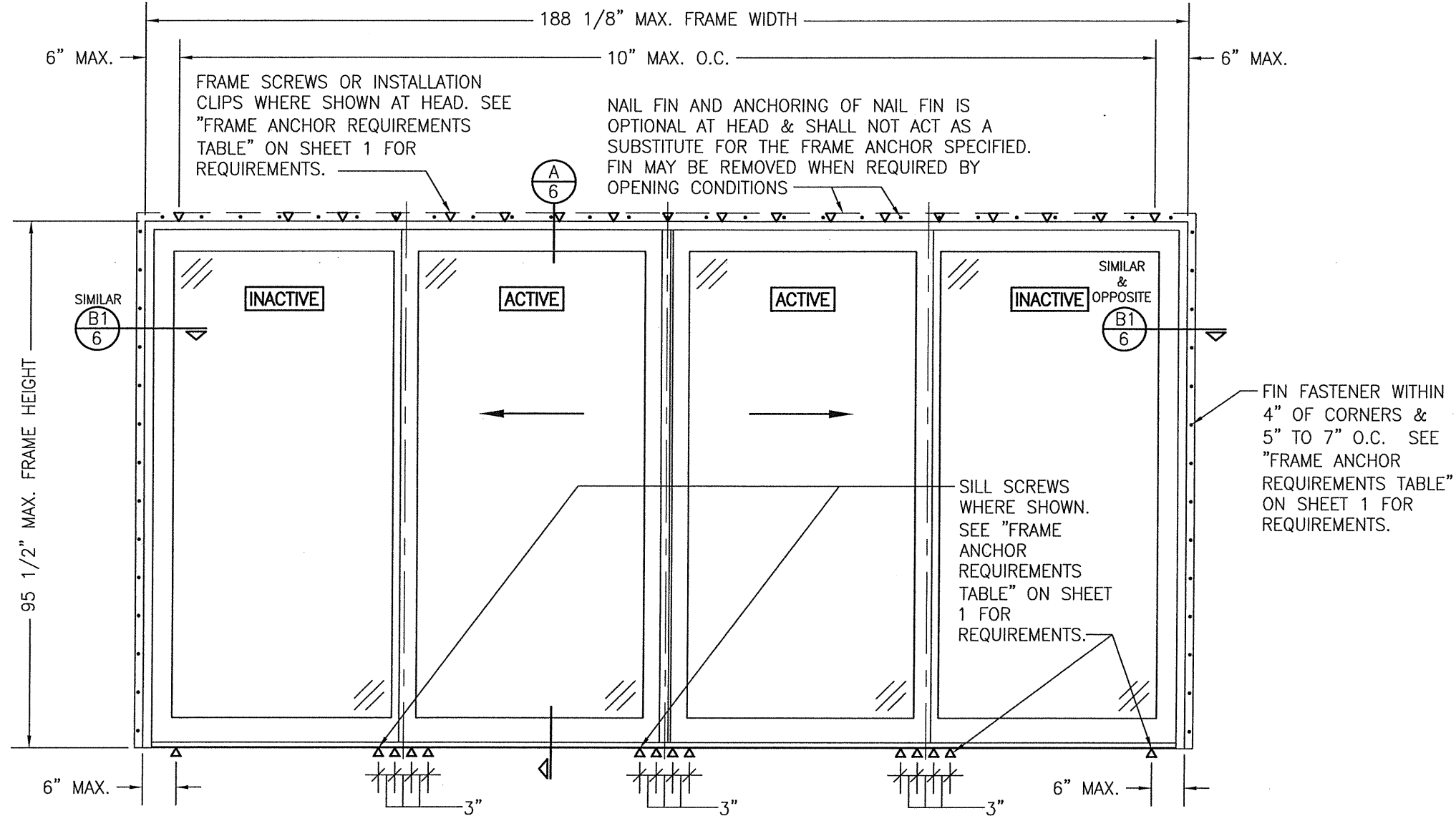


EXTERIOR ELEVATION:
2-PANEL SLIDING DOOR WITH SIDELIGHT
 SCALE: 1/2" = 1'-0"
 (FRAME SCREW OR CLIP MOUNT CONDITION)

<p>ALLOWABLE DESIGN PRESSURE (CONTEMPORARY & FRENCH STYLE 2-PANEL SLIDING DOOR WITH SIDELIGHT)</p> <p>+/- 40 PSF</p> <p>(1) CONTEMPORARY & FRENCH ARE THE SAME EXCEPT THE DOOR PANEL STILES & RAILS OF THE FRENCH ARE TALLER THAN THE CONTEMPORARY.</p>
--



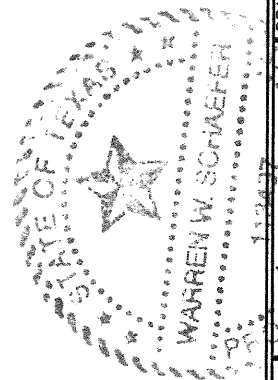
DRAWN BY: W.W.S. CHECKED BY: W.W.S. PLOT: 1=24 DATE: 05/11/16
NO. _____ REVISION DESCRIPTION DATE _____ BY _____
DRAWING TITLE LIFESTYLE W/HGP SERIES FRENCH & CONTEMPORARY NON-IMPACT SLIDING DOOR
CONSULTANTS W. W. SCHAEFER ENGINEERING & CONSULTING, P.A. (REG. NO. F-14980) 7480 150TH COURT NORTH PALM BEACH GARDENS, FL 33418 PHONE: 561-744-3424
JOB INFORMATION: PELLA CORPORATION 102 MAIN STREET PELLA, IA 50219 641-621-1000
CERTIFICATION CENSEN JUL 17 2020 WARREN W. SCHAEFER, P.E. P.E. NO. 113497
DRAWING NO. 1659T SHEET NO. 3 OF 7

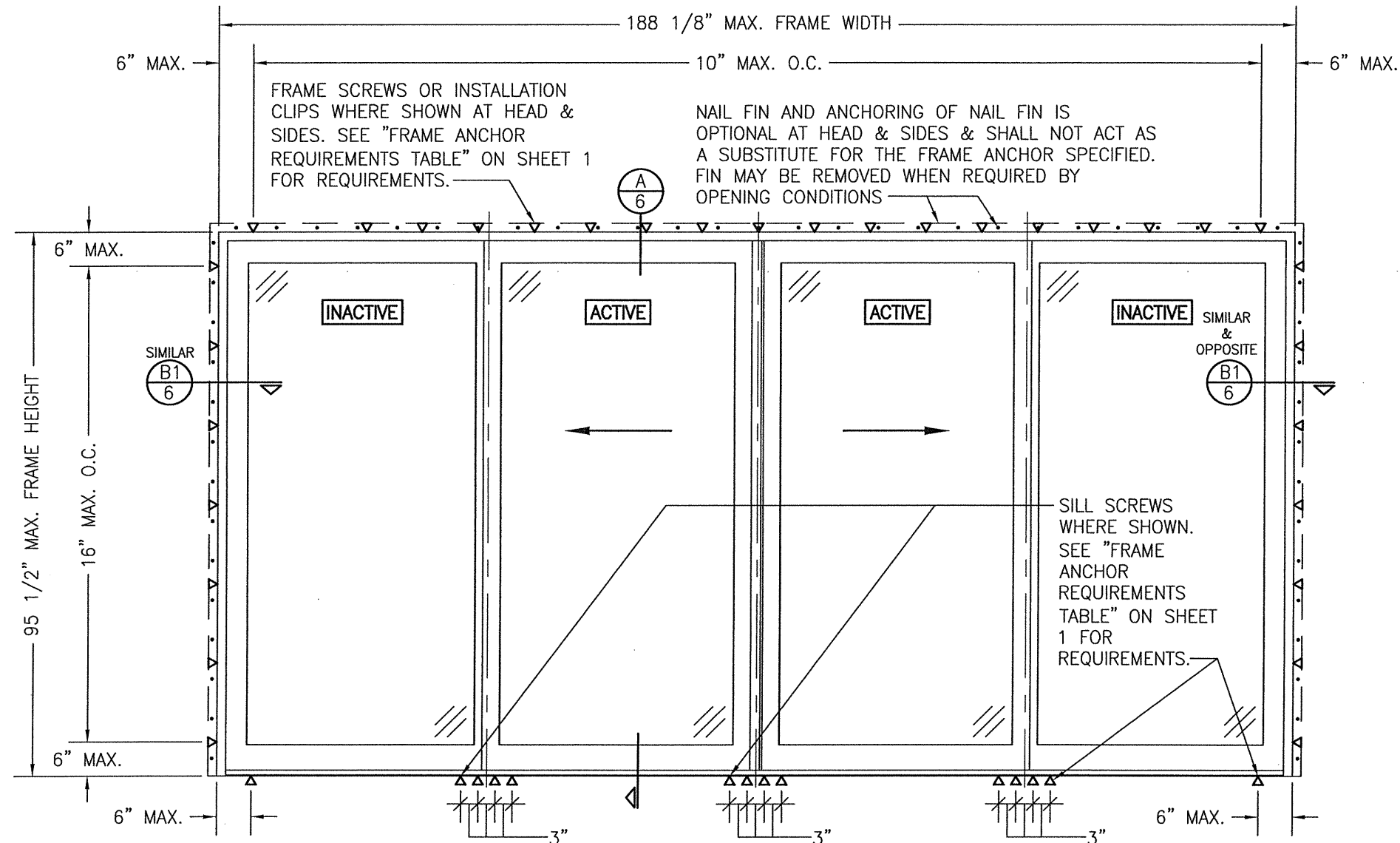


**EXTERIOR ELEVATION;
4-PANEL SLIDING DOOR**
SCALE: 1/2" = 1'-0"
(NAIL FIN MOUNT CONDITION)

<p>ALLOWABLE DESIGN PRESSURE (CONTEMPORARY & FRENCH STILE 4-PANEL SLIDING DOOR) +/- 25 PSF</p>
<p>(1) CONTEMPORARY & FRENCH ARE THE SAME EXCEPT THE DOOR PANEL STILES & RAILS OF THE FRENCH ARE TALLER THAN THE CONTEMPORARY.</p>

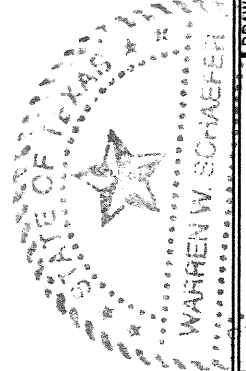
<p>DRAWN BY: W.W.S.</p>	<p>CHECKED BY: W.W.S.</p>
<p>PLOT: 1=24</p>	<p>DATE: 05/11/16</p>
<p>NO.</p>	<p>REVISION DESCRIPTION</p>
<p>BY</p>	<p>DATE</p>
<p>DRAWING TITLE: LIFESTYLE W/HGP SERIES FRENCH & CONTEMPORARY NON-IMPACT SLIDING DOOR</p>	
<p>CONSULTANTS: W. W. SCHAEFER ENGINEERING & CONSULTING, P.A. (REG. NO. F-14980) 7480 150TH COURT NORTH PALM BEACH GARDENS, FL 33418 PHONE: 561-744-3424</p>	
<p>JOB INFORMATION: PELLA CORPORATION 102 MAIN STREET PELLA, IA 50219 641-621-1000</p>	
<p>CERTIFICATION: WARREN W. SCHAEFER P.E. NO. 113497 JUL 17 2020</p>	
<p>DRAWING NO. 1659T</p>	<p>REV.</p>
<p>SHEET NO. 4</p>	<p>OF 7</p>



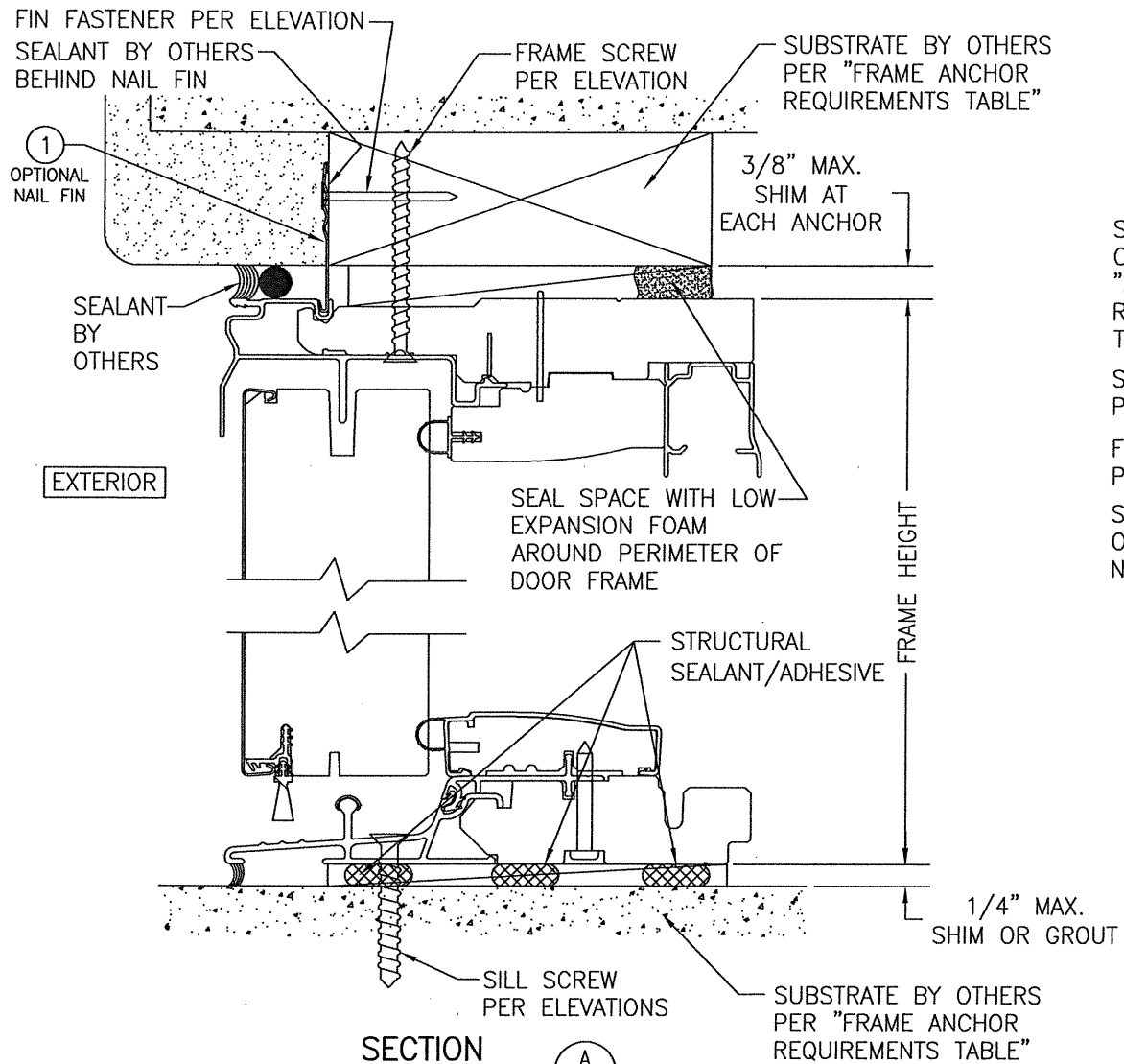


**EXTERIOR ELEVATION;
4-PANEL SLIDING DOOR**
SCALE: 1/2" = 1'-0"
(FRAME SCREW OR CLIP MOUNT CONDITION)

ALLOWABLE DESIGN PRESSURE (CONTEMPORARY & FRENCH STILE 4-PANEL SLIDING DOOR) +/- 25 PSF
(1) CONTEMPORARY & FRENCH ARE THE SAME EXCEPT THE DOOR PANEL STILES & RAILS OF THE FRENCH ARE TALLER THAN THE CONTEMPORARY.

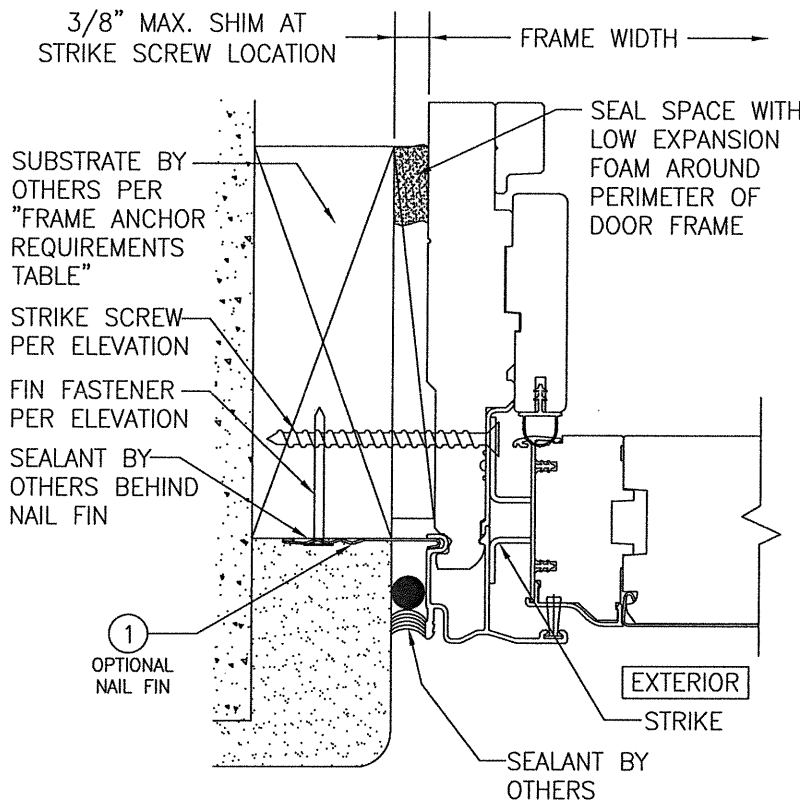


DRAWING TITLE LIFESTYLE W/HGP SERIES FRENCH & CONTEMPORARY NON-IMPACT SLIDING DOOR	DRAWN BY: W.W.S.	CHECKED BY: W.W.S.
CONSULTANTS W. W. SCHAEFER ENGINEERING & CONSULTING, P.A. (REG. NO. F-14980) 7480 150TH COURT NORTH PALM BEACH GARDENS, FL 33418 PHONE: 561-744-3424	PLOT: 1=24	DATE: 05/11/16
JOB INFORMATION: PELLA CORPORATION 102 MAIN STREET PELLA, IA 50219 641-621-1000	NO.	REVISION DESCRIPTION
DRAWING NO. 1659T	REV.	DATE
SHEET NO. 5 OF 7	CERTIFICATION JUL 17 2020 WARREN W. SCHAEFER, P.E. P.E. NO. 113497	BY

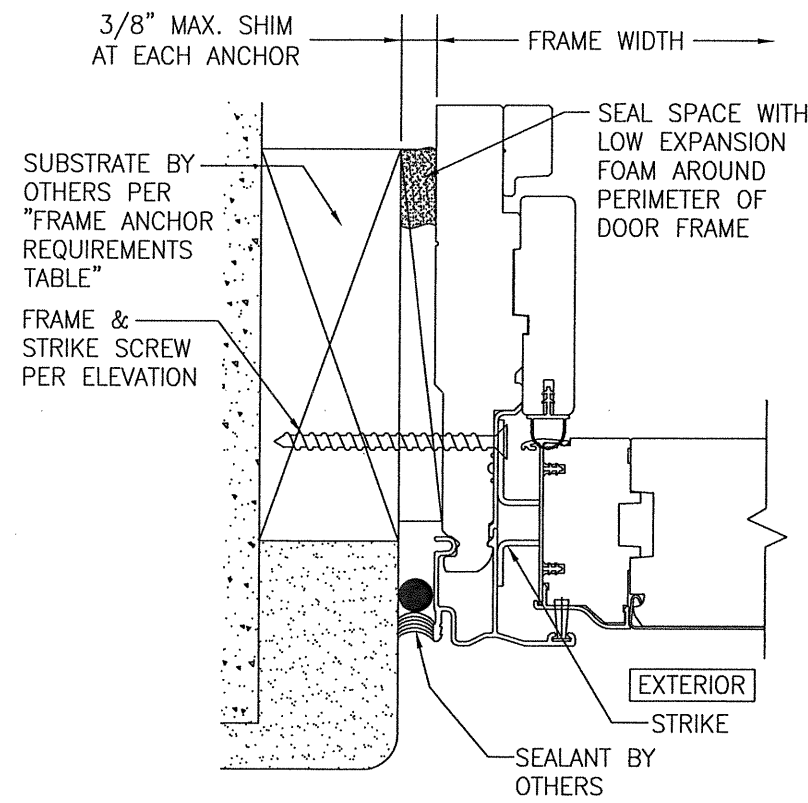


SECTION A
SCALE: 1/2 FULL

FRAME SCREW WITH OPTIONAL NAIL FIN CONDITION SHOWN. DIRECT MOUNT & CLIP CONDITION ALSO APPLY. SEE DETAILS ON SHEET 7 FOR DIRECT MOUNT & CLIP CONDITIONS.



SECTION B1
SCALE: 1/2 FULL
(NAIL FIN MOUNT)



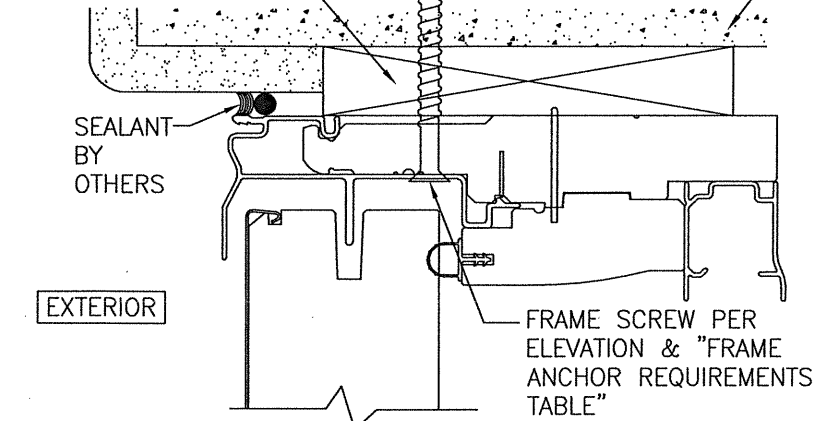
SECTION B2
SCALE: 1/2 FULL
FRAME SCREW MOUNT SHOWN. SEE DETAILS ON SHEET 7 FOR DIRECT MOUNT & CLIP MOUNT DETAILS.

DRAWN BY: W.W.S.		CHECKED BY: W.W.S.	
PLOT: 1=2		DATE: 05/11/16	
NO.	REVISION DESCRIPTION	BY	DATE
JOB INFORMATION:			
LIFESTYLE W/HGP SERIES FRENCH & CONTEMPORARY NON-IMPACT SLIDING DOOR			
PELLA CORPORATION 102 MAIN STREET PELLA, IA 50219 641-621-1000			
W. W. SCHAEFER ENGINEERING & CONSULTING, P.A. (REG. NO. F-14980) 7480 150TH COURT NORTH, 33418 PALM BEACH GARDENS, FL PHONE: 561-744-3424			
CERTIFICATION JUL 17 2020 WARREN W. SCHAEFER, P.E. P.E. NO. 113487			
DRAWING NO. 1659T		REV.	
SHEET NO. 6		OF 7	



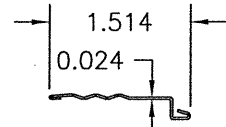
CONTINUOUS WOOD MEMBER LESS IN THICKNESS THAN A 2X BUCK TO BE MIN. 3 1/2" DEEP (NOT REQUIRED WHEN SHIM SPACE IS WITHIN ALLOWABLE DIMENSIONS SHOWN IN SECTIONS).

SUBSTRATE BY OTHERS PER "FRAME ANCHOR REQUIREMENTS TABLE"



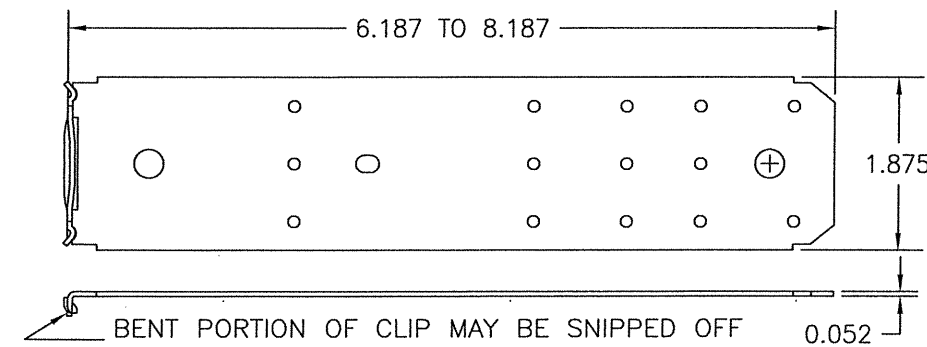
OPTIONAL DIRECT MOUNT DETAIL TO SUBSTRATE WITH SPACER

(HEAD SECTION SHOWN; SILL & SIDES ARE INSTALLED THE SAME) (FOR DETAIL NOT SHOWN, SEE OTHER SECTIONS)

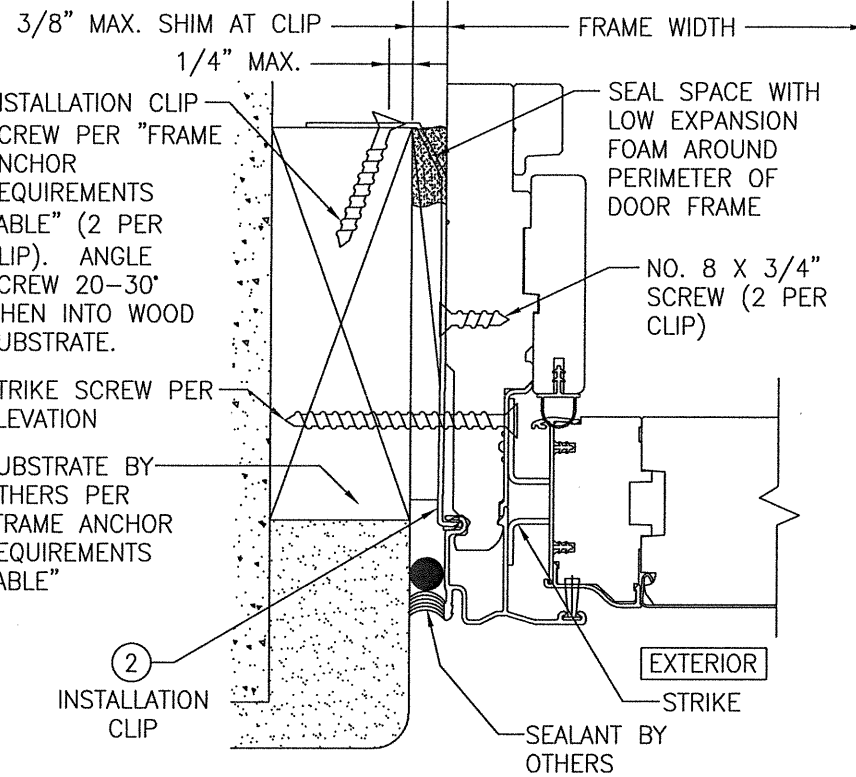


1 NAIL FIN

3003-H14 ALUMINUM

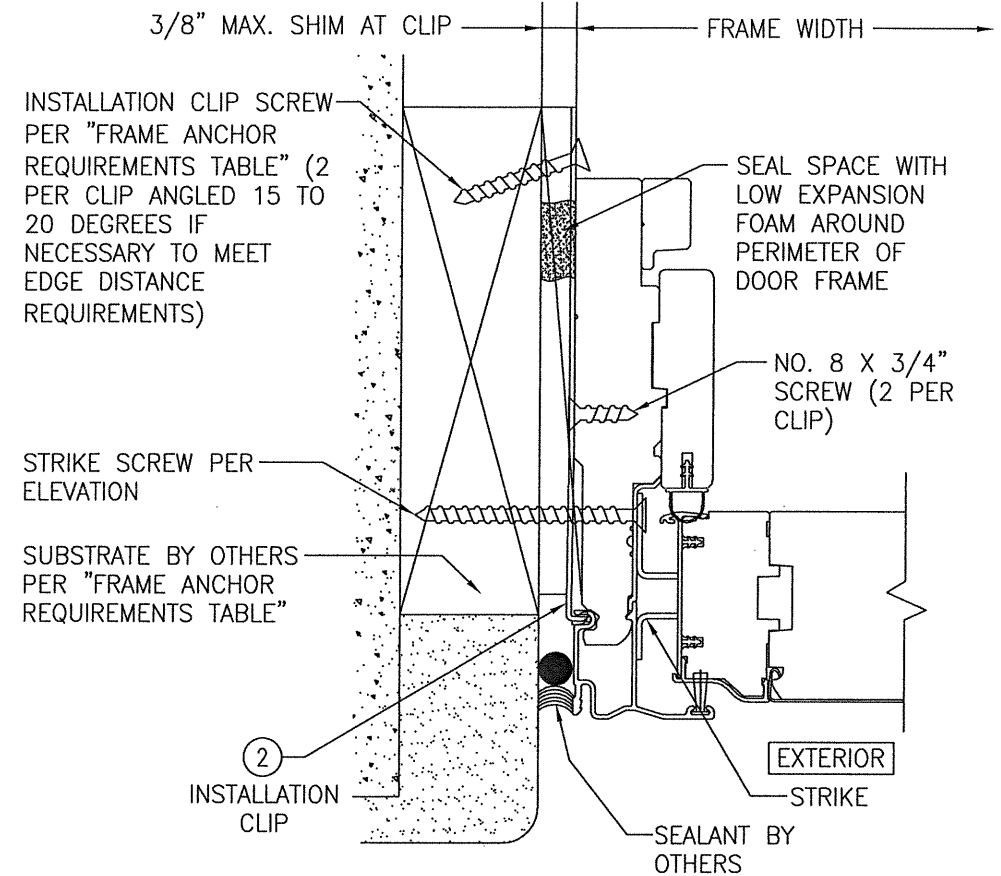


2 FRAME INSTALLATION CLIP (50 KSI STEEL)



STANDARD INSTALLATION CLIP DETAIL (BENT CLIP)

(SIDE SECTION SHOWN; HEAD IS INSTALLED THE SAME) (FOR DETAIL NOT SHOWN, SEE OTHER SECTIONS) (INSTALLATION CLIPS ARE NOT APPLICABLE AT THE SILL)



ALTERNATE INSTALLATION CLIP DETAIL (STRAIGHT CLIP)

(SIDE SECTION SHOWN; HEAD IS INSTALLED THE SAME) (FOR DETAIL NOT SHOWN, SEE OTHER SECTIONS) (INSTALLATION CLIPS ARE NOT APPLICABLE AT THE SILL)

DRAWN BY:	W.W.S.	CHECKED BY:	W.W.S.
PLOT:	1=2	DATE:	05/11/16
NO.		REVISION DESCRIPTION	
DATE		BY	

DRAWING TITLE: LIFESTYLE W/HGP SERIES FRENCH & CONTEMPORARY NON-IMPACT SLIDING DOOR

PELLA CORPORATION
102 MAIN STREET
PELLA, IA 50219
641-621-1000



CONSULTANTS
W. W. SCHAEFER ENGINEERING & CONSULTING, P.A. (REG. NO. F-14980)
7480 150TH COURT NORTH
PALM BEACH GARDENS, FL 33418
PHONE: 561-744-3424



CERTIFICATION
LICENSED PROFESSIONAL ENGINEER
WARREN W. SCHAEFER, P.E.
P.E. NO. 113497

DRAWING NO.	1659T	REV.	
SHEET NO.	7	OF	7