

# plastpro

5200 W. CENTURY BLVD.  
LOS ANGELES, CA 90045

## Mahogany / Rustic Series Fiberglass Door IN SWING / OUT SWING "NON-IMPACT"

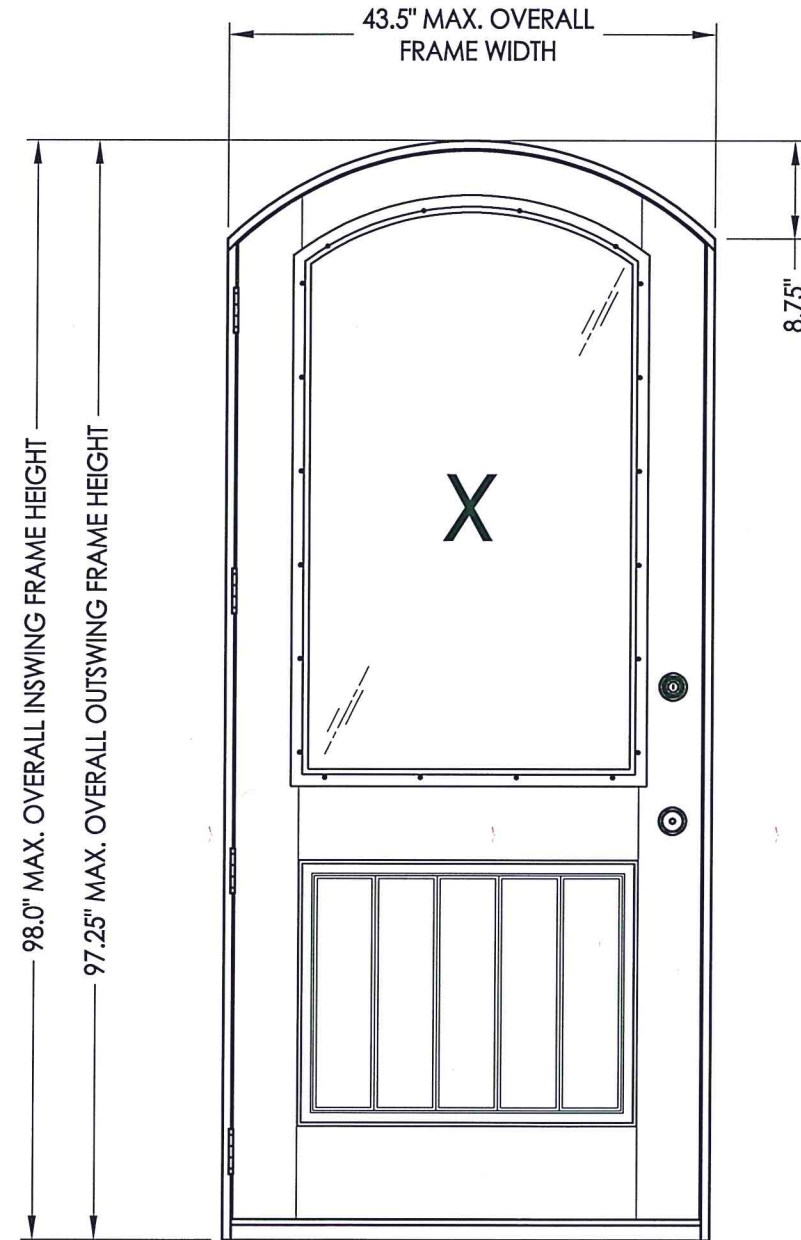
### EVALUATED FOR USE IN THE STATE OF TEXAS

The Fiberglass Door system described herein complies with the 2018 International Residential Code (IRC), Sections R301 & R609 and the 2018 International Building Code (IBC), Sections 1404.13, 1609, 1709.5, 2403 and 2404 subject to the following conditions:

1. Anchors shall be as listed and spaced as shown in the details. Anchor embedment to base material shall be beyond wall dressing or stucco.
2. When used in areas requiring wind-borne debris protection this product is required to be protected with an impact resistant covering that complies with Section R301.2.1.2 of the IRC and Section 1609.1.2 of the IBC.
3. Allowable design pressure requirements must be equal to or less than the design pressure rating shown in the design pressure chart, sheet 1 of this drawing.
4. Conditions not covered by this drawing are subject to further engineering analysis.

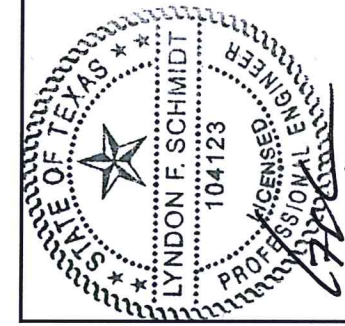
#### TABLE OF CONTENTS

SHEET#	DESCRIPTION
1	Typical elevation, design pressures, & general notes
2	Door panel details
3	Horizontal & Vertical Cross Sections
4	Vertical Cross Sections
5	Frame anchoring
6	Bill of materials and components



CONFIGURATION	MAX. FRAME DIMENSION	MAX. SIDELITE D.L.O. DIMENSION	DESIGN PRESSURE (PSF) IN SWING		DESIGN PRESSURE (PSF) OUT SWING	
			POSITIVE	NEGATIVE	POSITIVE	NEGATIVE
X	43.5" x 98.0"	28.375" X 49.25"	+40.0	-50.0	+40.0	-40.0

See Sheet 2 for hardware limits on Design Pressure (PSF).



Documents Prepared By: Lyndon F. Schmidt, P.E.  
TEXAS P.E. # 104123

RW BUILDING CONSULTANTS, INC.  
P.O. Box 230 Valrico FL 33595  
Phone No.: 813.659.9197

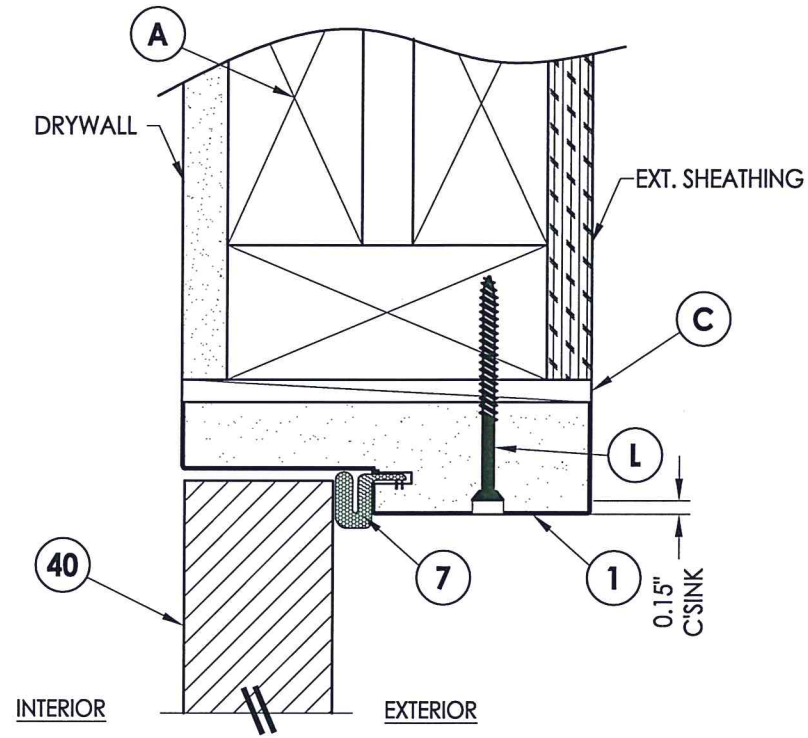
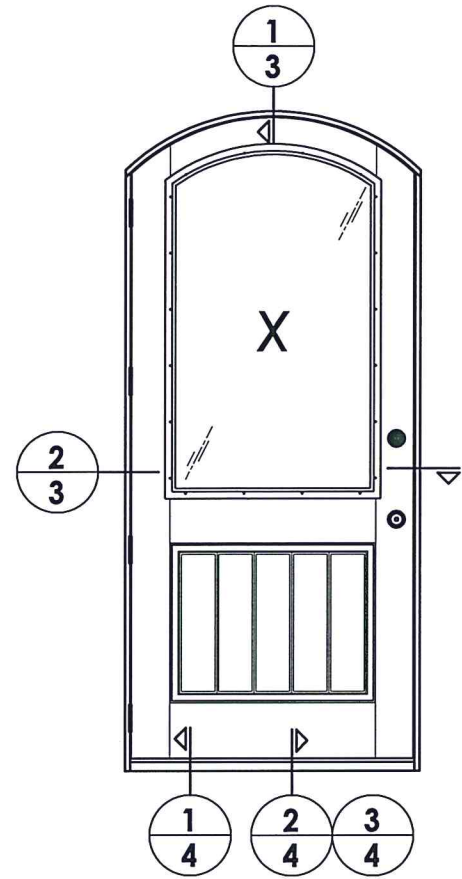
TEXAS BOARD OF PROFESSIONAL ENGINEERS  
CERTIFICATE OF REGISTRATION # F-11852

PRODUCT: PLASTPRO FIBERGLASS DOOR  
PART OR ASSEMBLY: TYPICAL ELEVATION, DESIGN PRESSURES & GENERAL NOTES

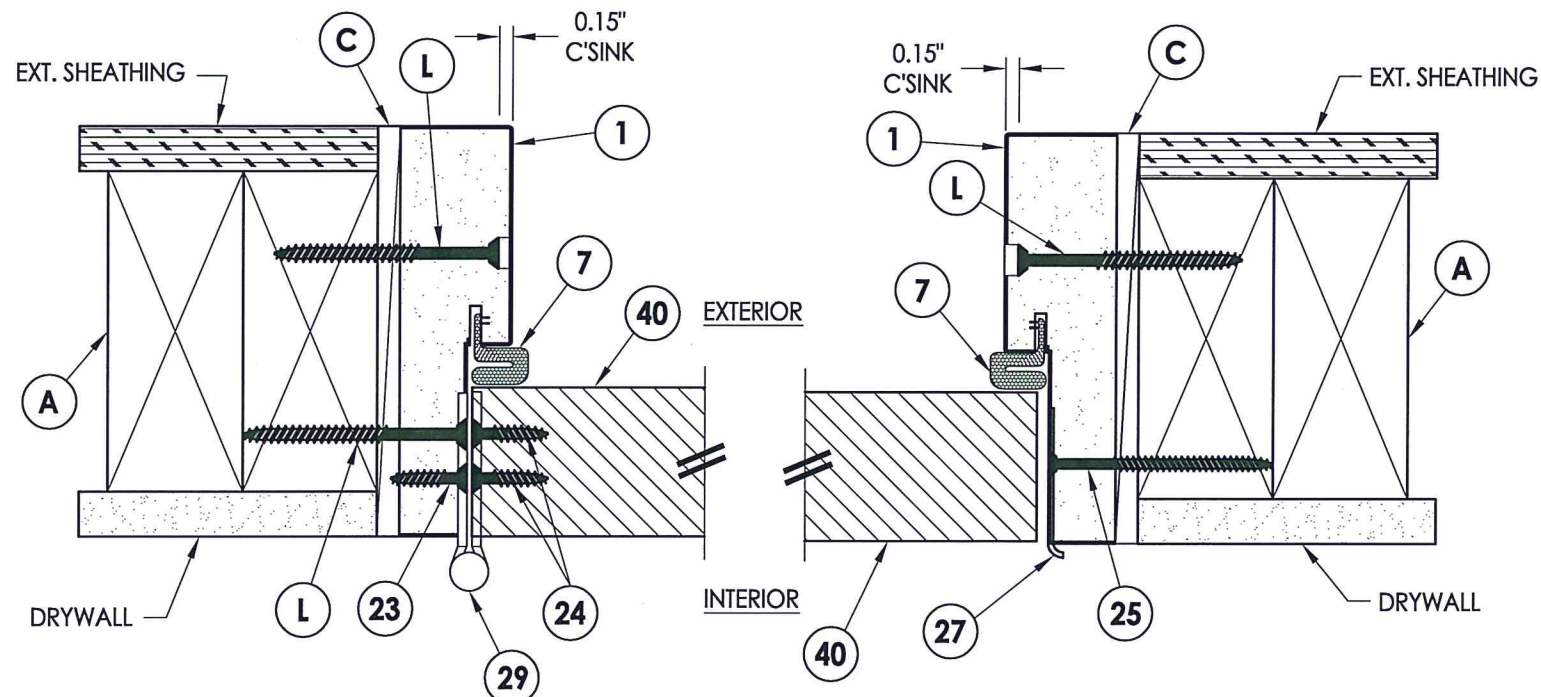
NO.	DATE	UPDATE TO 2018 IBC/IRC CODE	LFS	BY
1	5/26/20			

DATE: 4/27/16  
SCALE: N.T.S.  
DWG. BY: JK  
CHK. BY: LFS  
DRAWING NO.: TX-4613  
SHEET 1 OF 6





**1** VERTICAL CROSS SECTION  
**3** Inswing shown (Outswing similar)



**2** HORIZONTAL CROSS SECTION  
**3** Inswing shown (Outswing similar)



Documents Prepared By: Lyndon F. Schmidt, P.E.  
 TEXAS P.E. #104123

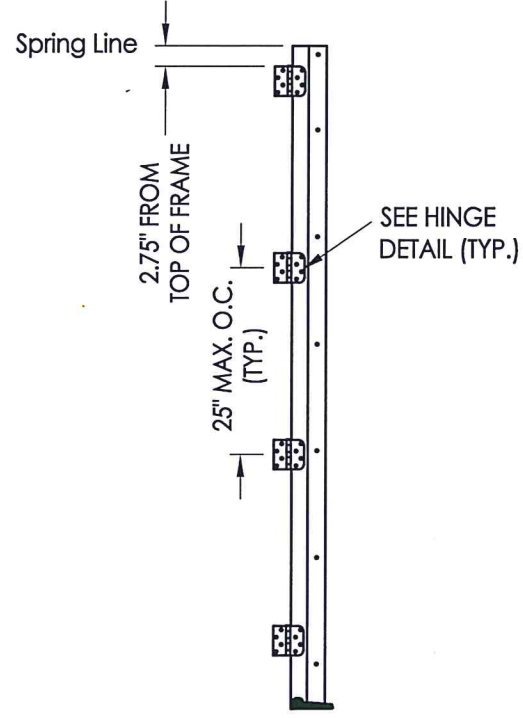
RW BUILDING CONSULTANTS, INC.  
 P.O. Box 230 Valrico FL, 33595  
 Phone No.: 813.659.9197

TEXAS BOARD OF PROFESSIONAL ENGINEERS  
 CERTIFICATE OF REGISTRATION # F-11852

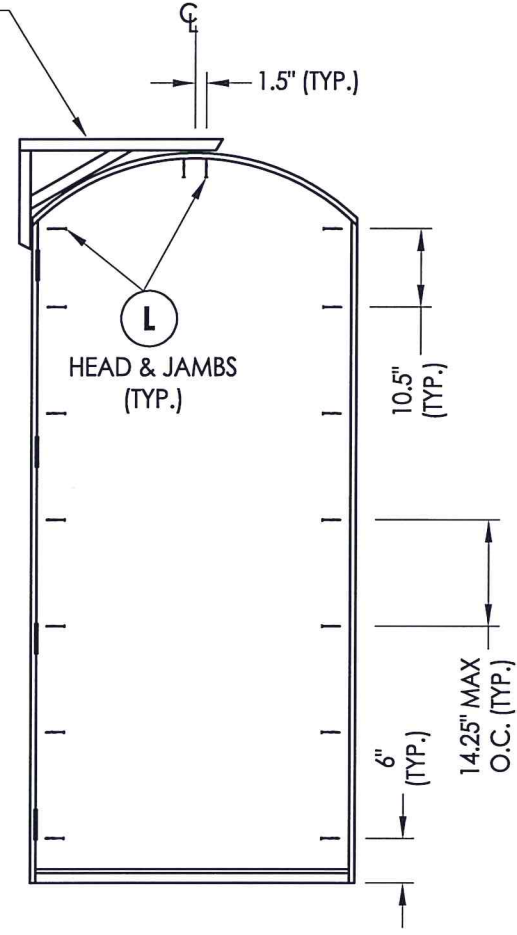
PRODUCT:	PLASTPRO FIBERGLASS DOOR	
PART OR ASSEMBLY:	HORIZONTAL & VERTICAL CROSS SECTIONS	
NO.	DATE	REVISIONS
1	5/26/20	UPDATE TO 2018 IBC/IRC CODE
		LFS BY
DATE: 4/27/16		
SCALE: N.T.S.		
DWG. BY: JK		
CHK. BY: LFS		
DRAWING NO.: TX-4613		
SHEET 3 OF 6		



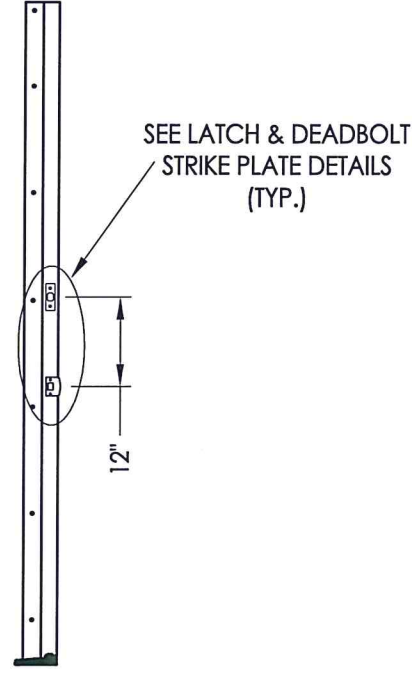
2X FRAMING AND CONNECTION TO SUBSTRATE TO BE DESIGN BY ARCHITECT OR ENGINEER OF RECORD.



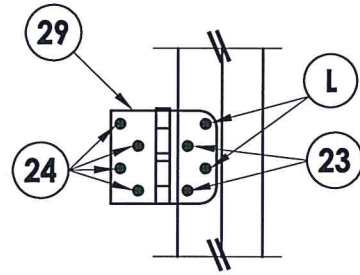
**HINGE JAMB**



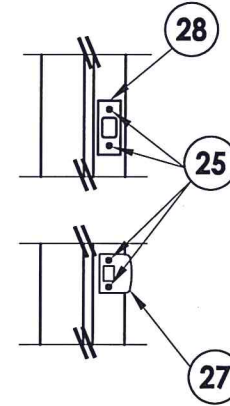
**FRAME ANCHORING**



**STRIKE JAMB**



**HINGE DETAIL**



**LATCH & DEADBOLT STRIKE PLATE DETAILS**



Documents Prepared By: Lyndon F. Schmidt, P.E.  
TEXAS P.E. #104123

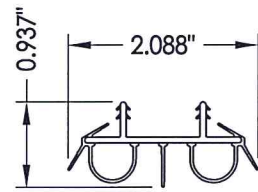
**RW** BUILDING CONSULTANTS, INC.  
P.O. Box 230 Vairico FL. 33595  
Phone No.: 813.659.9197

TEXAS BOARD OF PROFESSIONAL ENGINEERS  
CERTIFICATE OF REGISTRATION # F-11852

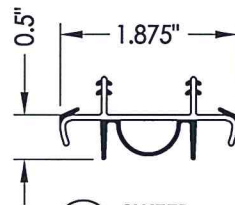
PRODUCT:		PLASTPRO FIBERGLASS DOOR	
PART OR ASSEMBLY:		FRAME ANCHORING	
NO.	DATE	DESCRIPTION	BY
1	5/26/20	UPDATE TO 2018 IBC/IRC CODE	LFS
REVISIONS			
DATE: 4/27/16			
SCALE: N.T.S.			
DWG. BY: JK			
CHK. BY: LFS			
DRAWING NO.: TX-4613			
SHEET 5 OF 6			

**BILL OF MATERIALS**

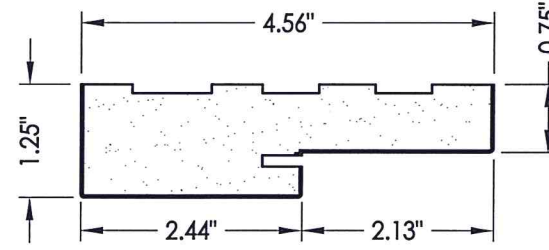
ITEM #	DESCRIPTION	MATERIAL
A	2X FRAMING (G >= 0.42)	WOOD
C	1/4" MAX. SHIM SPACE	-
L	#10 X 2-1/2" PFH WOOD SCREW (1.15" MIN. EMB.)	STEEL
1	POLY FIBER JAMB	POLY FIBER
7	WEATHERSTRIP (ENDURA FORCE 5)	FOAM
8	SWEEP	VINYL
9	SWEEP	VINYL
22	#12 X 2-1/2" PFH WOOD SCREW	STEEL
23	#10 X 3/4" PFH WOOD SCREW	STEEL
24	#10 X 1" PFH WOOD SCREW	STEEL
25	#8 X 2-1/2" PFH WOOD SCREW	STEEL
27	LATCH STRIKE PLATE	STEEL
28	DEADBOLT STRIKE PLATE	STEEL
29	4" X 4" BUTT HINGE	STEEL
33	OUTSWING THRESHOLD	ALUM / COMP
34	INSWING THRESHOLD	ALUM / COMP
35	INSWING THRESHOLD	ALUM / COMP
36	INSWING THRESHOLD	ALUM / WOOD
37	INSWING THRESHOLD	ALUM / COMP
40	DOOR PANEL - SEE DOOR PANEL DETAIL SHEET FOR CONSTRUCTION DETAILS	-



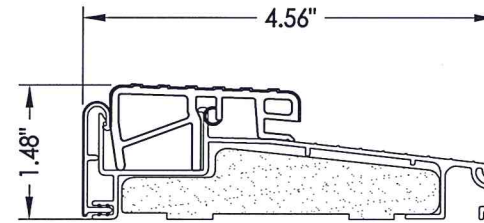
8 SWEEP



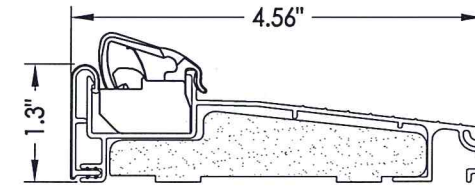
9 SWEEP



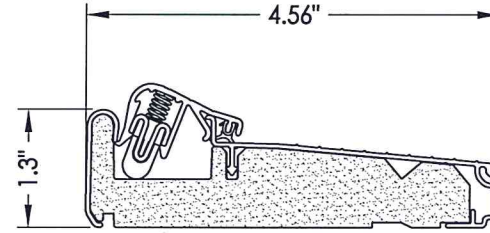
1 POLY FIBER JAMB



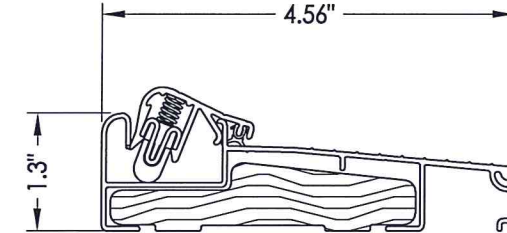
33 OUTSWING THRESHOLD  
Endura



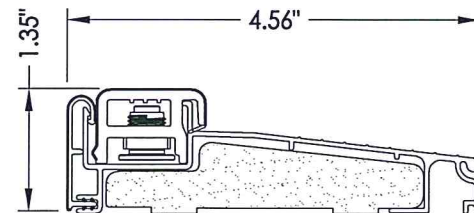
34 INSWING THRESHOLD  
Endura (Articulating)  
ALUM/COMP/VINYL



35 INSWING THRESHOLD  
Endura (Articulating)  
ALUM/COMP



36 INSWING THRESHOLD  
Endura (Articulating)  
ALUM/WOOD



37 INSWING THRESHOLD  
Endura



Documents Prepared By: Lyndon F. Schmidt, P.E.  
TEXAS P.E. #104123

**RW** BUILDING CONSULTANTS, INC.  
P.O. Box 230 Valrico FL 33595  
Phone No.: 813.659.9197  
TEXAS BOARD OF PROFESSIONAL ENGINEERS  
CERTIFICATE OF REGISTRATION # F-11852

PRODUCT: PLASTPRO FIBERGLASS DOOR  
PART OR ASSEMBLY: BILL OF MATERIALS & COMPONENTS

NO.	DATE	DESCRIPTION	BY
1	5/26/20	UPDATE TO 2018 IBC/IRC CODE	LFS

DATE: 4/27/16  
SCALE: N.T.S.  
DWG. BY: JK  
CHK. BY: LFS  
DRAWING NO.: TX-4613  
SHEET 6 OF 6