

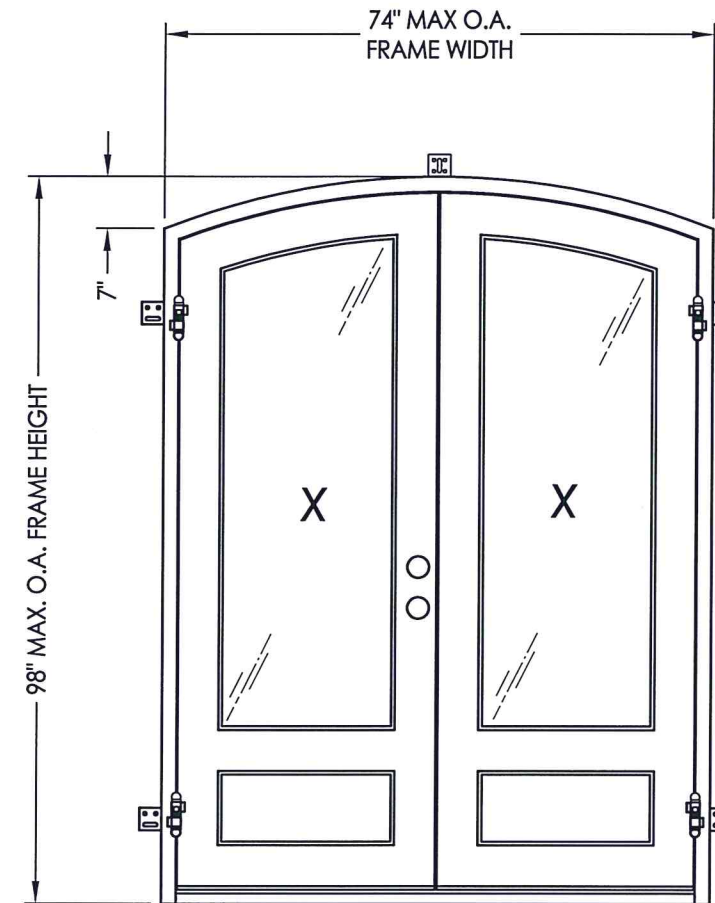


# COMPLEX INDUSTRIES

5768 Distribution Dr.  
Memphis, TN 38141

## GLAZED IRON ARCH TOP DOUBLE DOOR

**IN SWING**  
**"NON-IMPACT"**



| OVERALL<br>FRAME<br>DIMENSION | OVERALL<br>D.L.O.<br>DIMENSION | GLASS<br>TYPE | DESIGN PRESSURE (PSF) |          |
|-------------------------------|--------------------------------|---------------|-----------------------|----------|
|                               |                                |               | POSITIVE              | NEGATIVE |
| 74" x 98"                     | 22.75" x 65.25"                | G1            | +50.0                 | -65.0    |

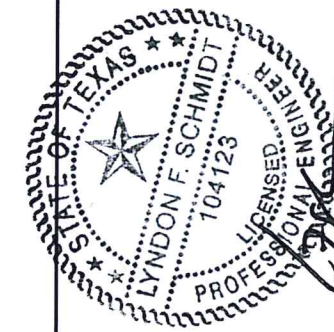
### EVALUATED FOR USE IN THE STATE OF TEXAS

The Iron Door system described herein complies with the 2018 International Residential Code (IRC), Sections R301 & R609 and the 2018 International Building Code (IBC), Sections 1404.13, 1609, 1709.5, 2403 and 2404 subject to the following conditions:

1. Anchors shall be as listed and spaced as shown in the details. Anchor embedment to base material shall be beyond wall dressing or stucco.
2. When used in areas requiring wind-borne debris protection, this system is required to be protected with an impact resistant covering that complies with Section R301.2.1.2 of the IRC and Section 1609.2 of the IBC.
3. Allowable design pressure requirements must be equal to or less than the design pressure rating shown in the design pressure chart, sheet 1 of this drawing.
4. Conditions not covered by this drawing are subject to further engineering analysis.

### TABLE OF CONTENTS

| SHEET# | DESCRIPTION   |
|--------|---|
| 1      | Typical elevations, design pressures, & general notes |
| 2      | Door panel details                                    |
| 3      | Horizontal and vertical cross sections                |
| 4      | Frame anchoring                                       |
| 5      | Bill of materials and components                      |

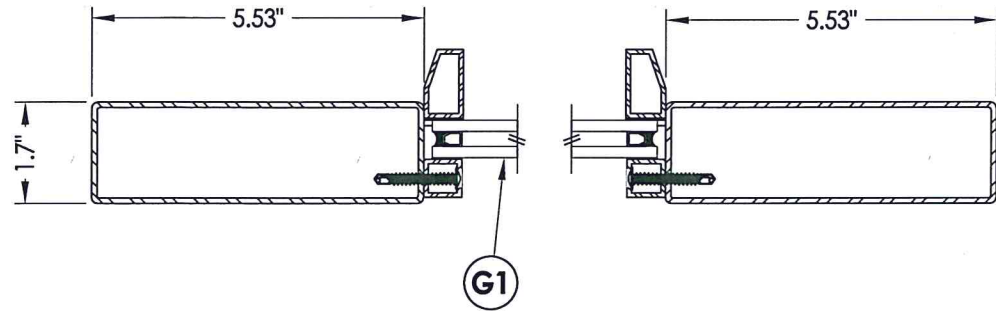


Documents Prepared By: Lyndon F. Schmidt, P.E.  
TEXAS P.E. #104123

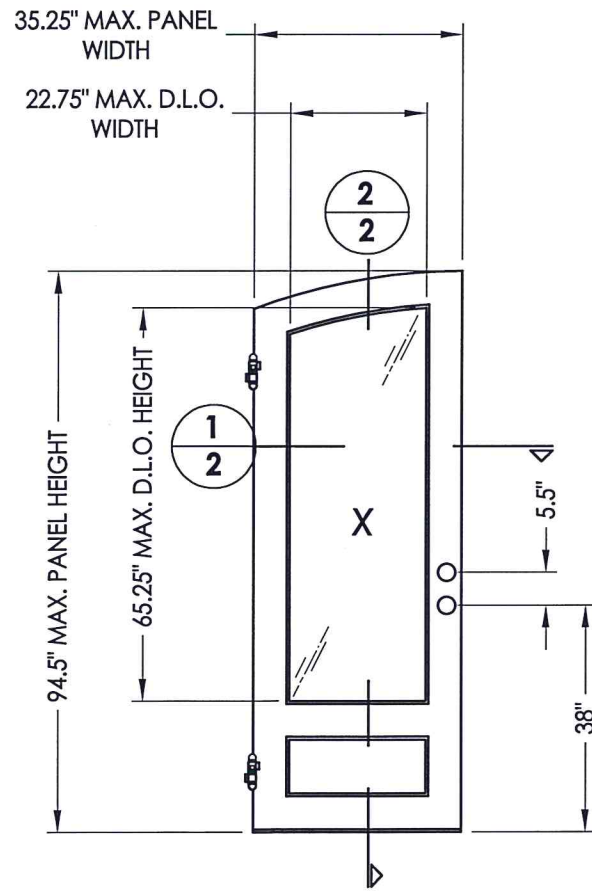
**RW** BUILDING CONSULTANTS, INC.  
P.O. Box 230 Valrico FL, 33595  
Phone No.: 813.659.9197

TEXAS BOARD OF PROFESSIONAL ENGINEERS  
CERTIFICATE OF REGISTRATION # F-11852

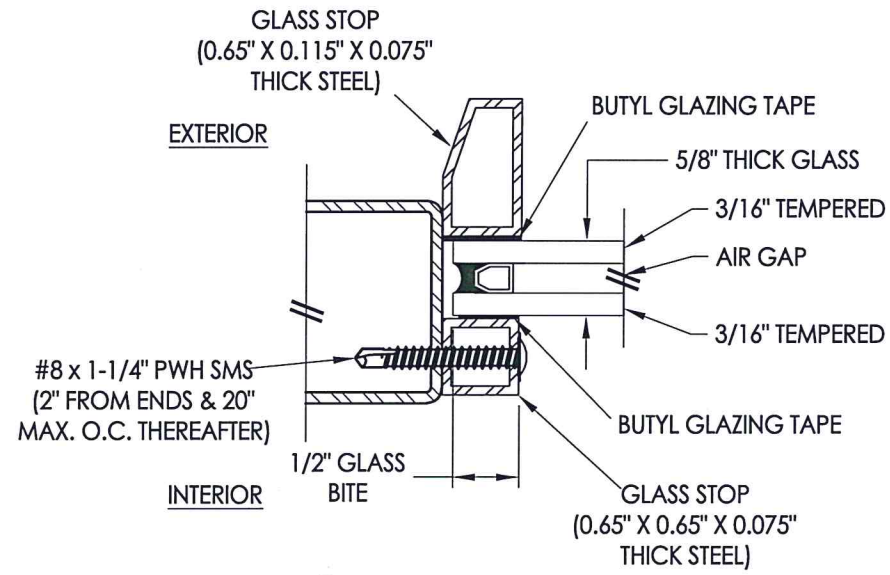
|  |         |
|--|---------|
| PRODUCT:<br>COMPLEX INDUSTRIES<br>GLAZED IRON DOOR                           |         |
| PART OR ASSEMBLY:<br>TYPICAL ELEVATIONS, DESIGN<br>PRESSURES & GENERAL NOTES |         |
| NO.  | DATE    |
| 1  | 7/02/20 |
| REVISIONS  |         |
| DATE: 2/01/16  |         |
| SCALE: N.T.S.  |         |
| DWG. BY: JK  |         |
| CHK. BY: LFS   |         |
| DRAWING NO.:<br>TX-4599  |         |
| SHEET 1 OF 5   |         |



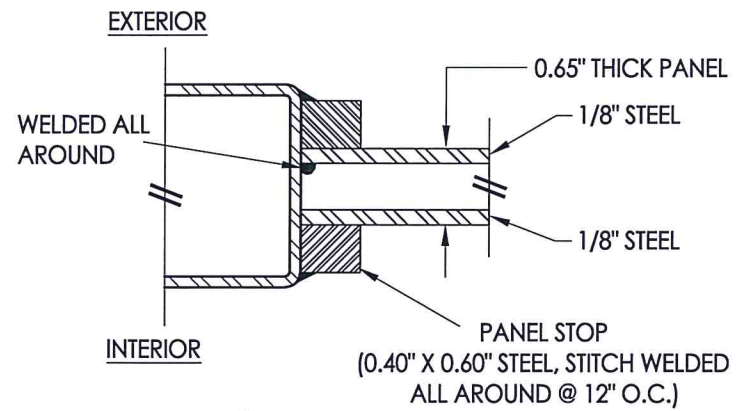
**1**  
**2** HORIZONTAL CROSS SECTION



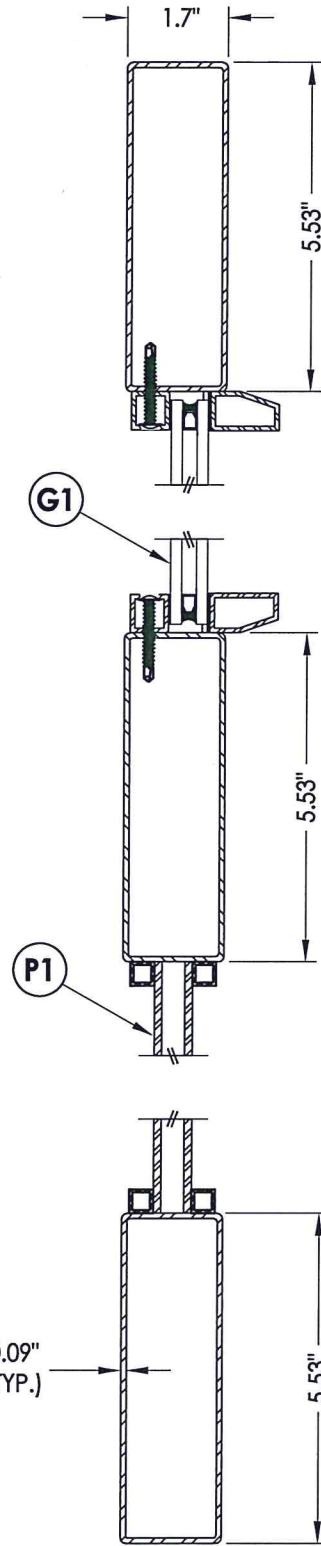
**30** DOOR PANEL



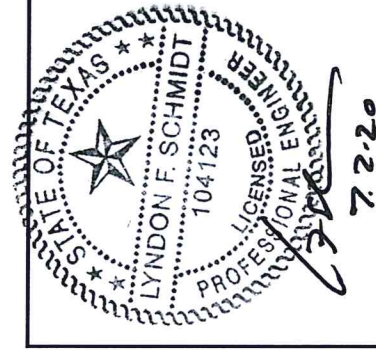
**G1** GLAZING DETAIL



**P1** PANEL DETAIL



**2**  
**2** VERTICAL CROSS SECTION



Documents Prepared By: Lyndon F. Schmidt, P.E.  
TEXAS P.E. #104123

**RW** BUILDING CONSULTANTS, INC.  
P.O. Box 230 Vairico FL, 33595  
Phone No.: 813.659.9197

TEXAS BOARD OF PROFESSIONAL ENGINEERS  
CERTIFICATE OF REGISTRATION # F-11852

PRODUCT: COMPLEX INDUSTRIES  
GLAZED IRON DOOR

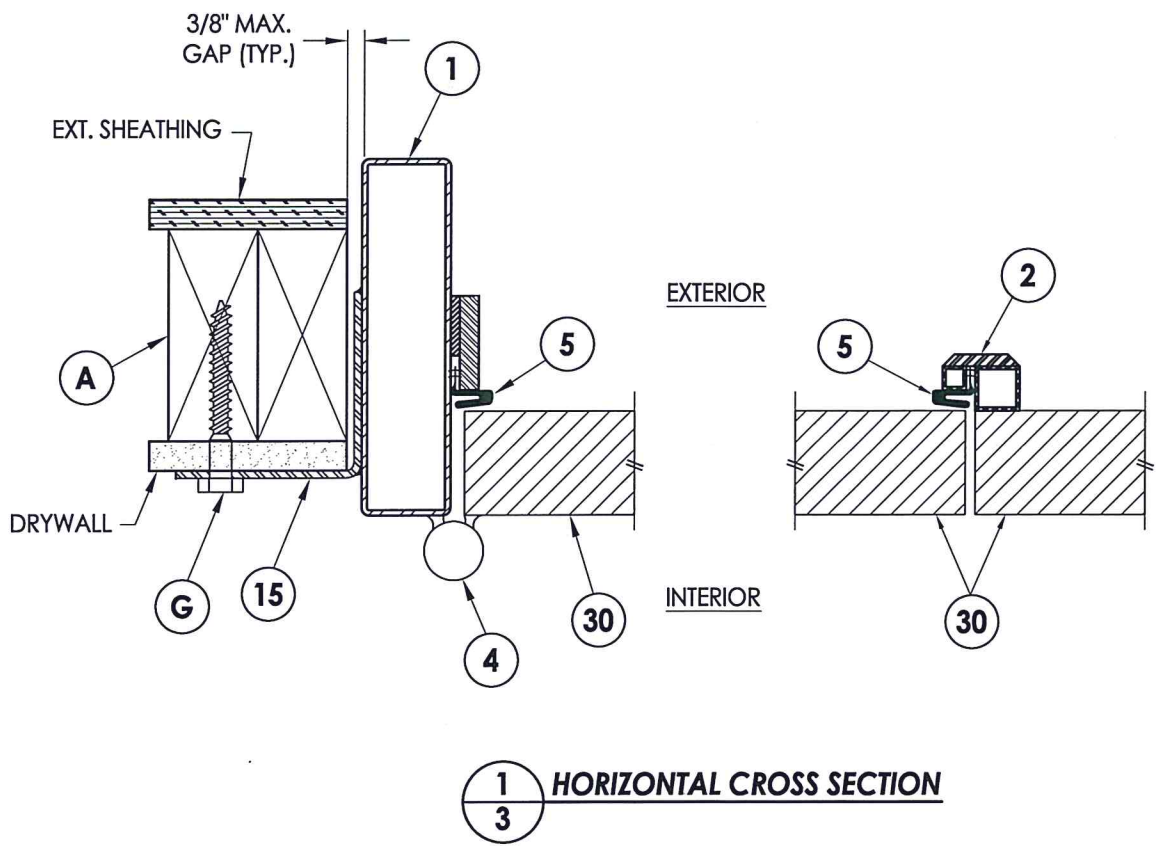
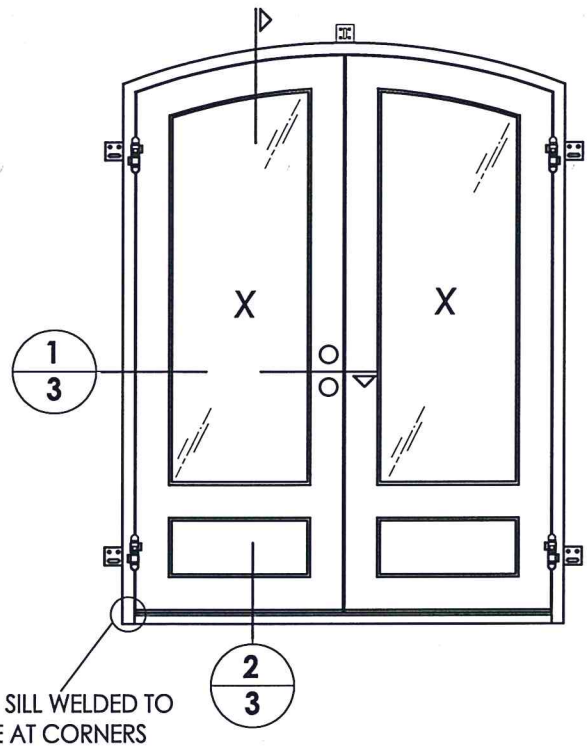
PART OR ASSEMBLY:  
DOOR PANEL  
DETAILS

| NO. | DATE    | DESCRIPTION                 | BY  |
|-----|---------|-----------------------------|-----|
| 1   | 7/02/20 | UPDATE TO 2018 IBC/IRC CODE | LFS |

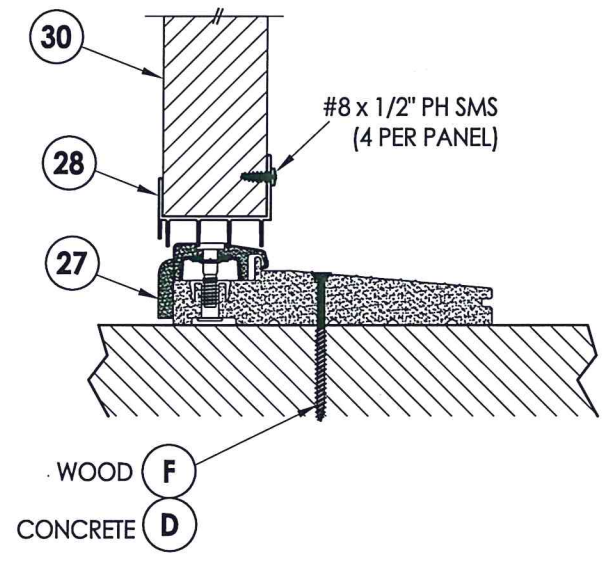
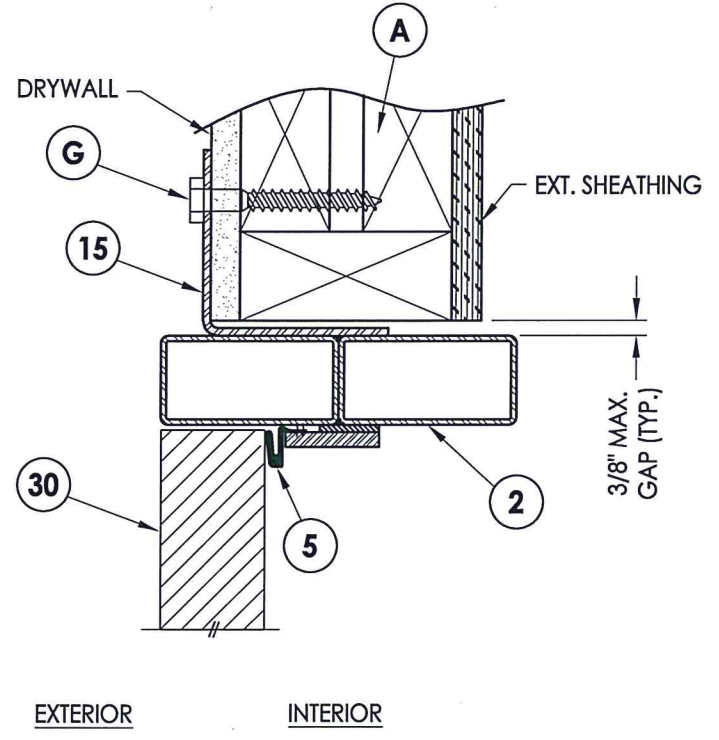
REVISIONS

DATE: 2/01/16  
SCALE: N.T.S.  
DWG. BY: JK  
CHK. BY: LFS  
DRAWING NO.: TX-4599  
SHEET 2 OF 5

R:\Clients\Complex Industries PERMANENT\B - Texas Dept of Ins\YDI DR-790 - 80" Glazed Iron Entry Doors, Inswing, Singles & Doubles, N/C - Drawings\2020 IBC Update\TX-4598-99.dwg, 2.3



**1**  
**3** HORIZONTAL CROSS SECTION



**2**  
**3** VERTICAL CROSS SECTION



Documents Prepared By: Lyndon F. Schmidt, P.E.  
TEXAS P.E. #104123

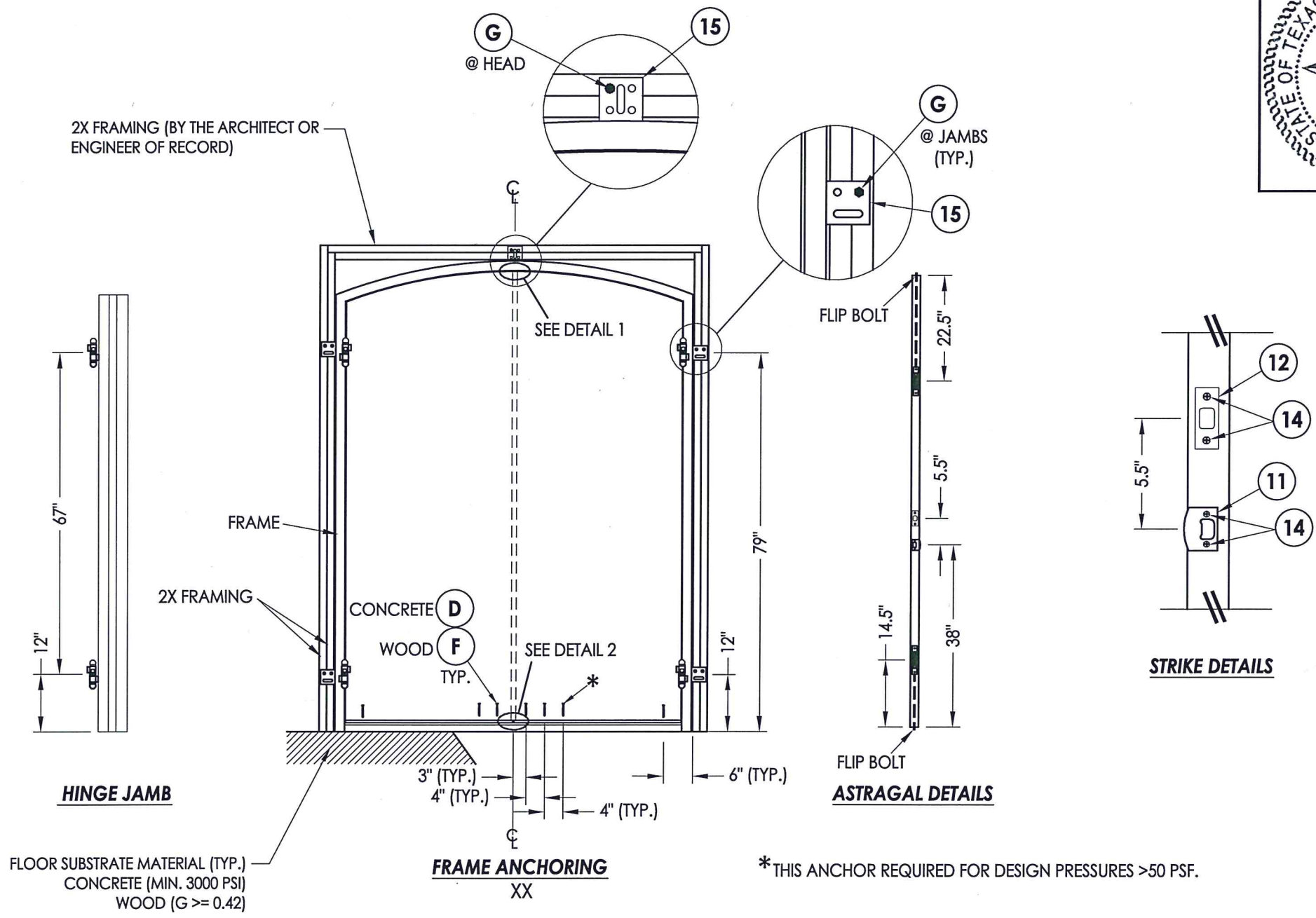
**RW** BUILDING CONSULTANTS, INC.  
P.O. Box 230 Vairico FL, 33595  
Phone No.: 813.659.9197

TEXAS BOARD OF PROFESSIONAL ENGINEERS  
CERTIFICATE OF REGISTRATION # F-11852

|                      |         |   |     |
|----------------------|---------|---|-----|
| PRODUCT:             |         | COMPLEX INDUSTRIES<br>GLAZED IRON DOOR  |     |
| PART OR ASSEMBLY:    |         | HORIZONTAL & VERTICAL<br>CROSS SECTIONS |     |
| NO.                  | DATE    | DESCRIPTION                             | BY  |
| 1                    | 7/02/20 | UPDATE TO 2018 IBC/IRC CODE             | LFS |
|                      |         |   |     |
| REVISIONS            |         |   |     |
| DATE: 2/01/16        |         |   |     |
| SCALE: N.T.S.        |         |   |     |
| DWG. BY: JK          |         |   |     |
| CHK. BY: LFS         |         |   |     |
| DRAWING NO.: TX-4599 |         |   |     |
| SHEET 3 OF 5         |         |   |     |

© 2016 R.W. BUILDING CONSULTANTS INC.

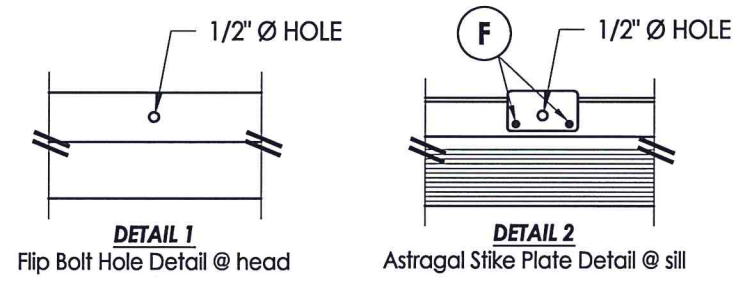
R:\Clients\Complex Industries PERMANENT\B - Texas Dept of Ins\TDI DR-790 - 8'0" Glazed Iron Entry Doors, Inswing, Singles & Doubles, N/C - Drawings\2020 IBC Update\TX-4598-99.dwg, 2.4



**CONCRETE ANCHOR NOTES:**

- Concrete anchor locations at the corners may be adjusted to maintain the min. edge distance to mortar joints.
- Concrete anchor locations noted as "MAX. ON CENTER" must be adjusted to maintain the min. edge distance to mortar joints, additional concrete anchors may be required to ensure the "MAX. ON CENTER" dimension are not exceeded.
- Concrete anchor table:

| ANCHOR TYPE         | ANCHOR SIZE | MIN. EMBEDMENT | MIN. CLEARANCE TO MASONRY EDGE | MIN. CLEARANCE TO ADJACENT ANCHOR |
|---------------------|-------------|----------------|--------------------------------|-----------------------------------|
| ITW BUILDEX TAPCON® | 1/4"        | 1-3/4"         | 1-1/2"                         | 4"                                |
| ELCO ULTRACON®      | 1/4"        | 1-3/4"         | 2-1/2"                         | 4"                                |



\* THIS ANCHOR REQUIRED FOR DESIGN PRESSURES >50 PSF.



Documents Prepared By: Lyndon F. Schmidt, P.E.  
TEXAS P.E. #104123

RW BUILDING CONSULTANTS, INC.  
P.O. Box 230 Vairico FL, 33595  
Phone No.: 813.659.9197

TEXAS BOARD OF PROFESSIONAL ENGINEERS  
CERTIFICATE OF REGISTRATION # F-11852

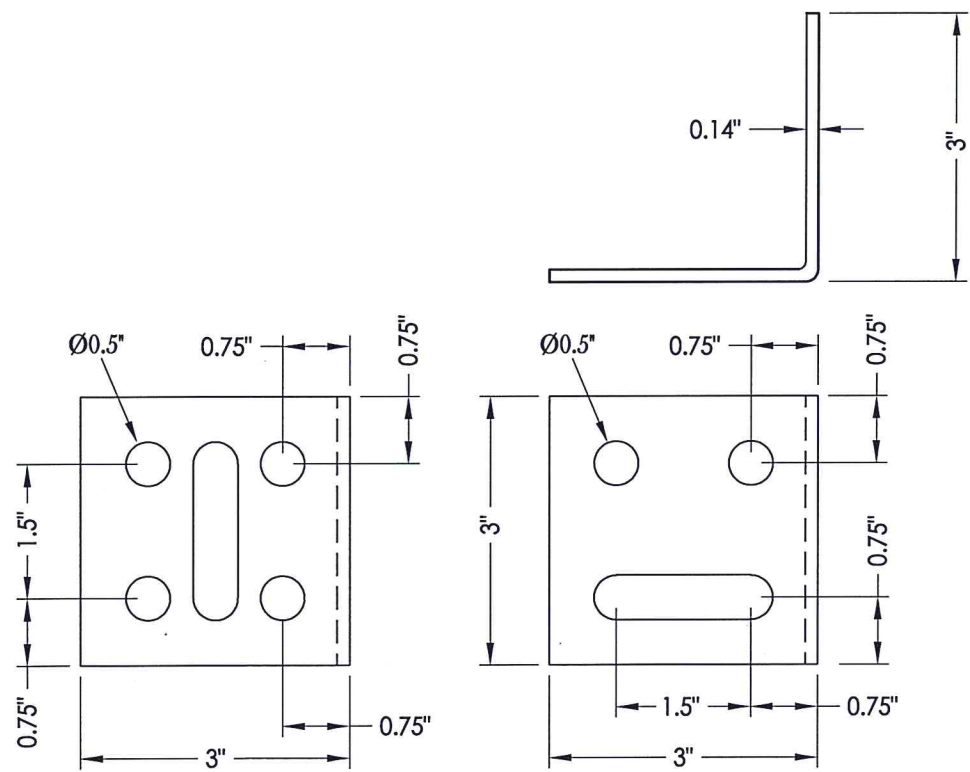
|                   |  |
|-------------------|--|
| PRODUCT:          | COMPLEX INDUSTRIES<br>GLAZED IRON DOOR |
| PART OR ASSEMBLY: | FRAME<br>ANCHORING                     |
| DATE:             | 2/01/16                                |
| SCALE:            | N.T.S.                                 |
| DWG. BY:          | JK                                     |
| CHK. BY:          | LFS                                    |
| DRAWING NO.:      | TX-4599                                |
| SHEET             | 4 OF 5                                 |

| REVISIONS |                             |
|-----------|-----------------------------|
| NO.       | DATE                        |
| 1         | 7/02/20                     |
|           | UPDATE TO 2018 IBC/IRC CODE |
|           | LFS                         |
|           | BY                          |

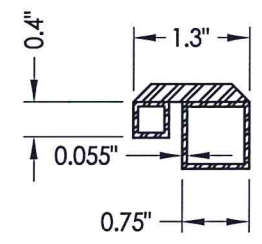
**BILL OF MATERIALS**

| ITEM # | DESCRIPTION  | MATERIAL |
|--------|--|----------|
| A      | 2X FRAMING (SG >= 0.42)                                | WOOD     |
| C      | 1/4" MAX. SHIM   | -        |
| D      | 1/4" ELCO OR ITW CONCRETE SCREW (1.75" MIN. EMBEDMENT) | STEEL    |
| F      | #10 X 2-1/2" PFH WOOD SCREW (1.75" MIN. EMBEDMENT)     | STEEL    |
| G      | 3/8" X 3" HWH LAG SCREW (2.75" MIN. EMBEDMENT)         | STEEL    |
| 1      | DOOR FRAME w/ STOP                                     | STEEL    |
| 2      | DOOR FRAME w/ STOP                                     | STEEL    |
| 3      | ASTRAGAL   | STEEL    |
| 4      | DOOR HINGE   | STEEL    |
| 5      | WEATHERSTRIP   | FOAM     |
| 10     | #8 X 1" PFH SELF-DRILLING SMS                          | STEEL    |
| 11     | LATCH STRIKE PLATE                                     | STEEL    |
| 12     | DEADBOLT STRIKE PLATE                                  | STEEL    |
| 14     | #9 x 1/2" PFH SMS                                      | STEEL    |
| 15     | ANCHORING BRACKET                                      | STEEL    |
| 27     | ADJUSTABLE INSWING THRESHOLD (AFCO ASAP)               | STEEL    |
| 28     | DOOR SWEEP   | PVC      |
| 29     | #12 X 1" PFH SELF-DRILLING SMS                         | STEEL    |
| 30     | DOOR PANEL   | STEEL    |

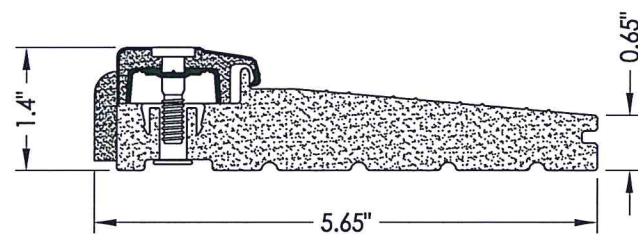
NOTE: ALL DOOR FRAME TUBULAR STEEL SHALL BE ASTM A36 STEEL



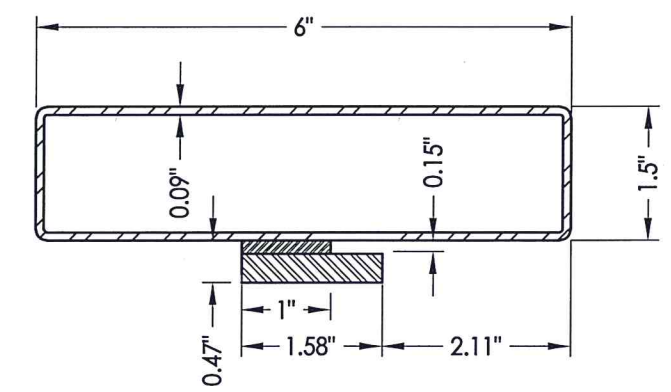
**15 ANCHORING BRACKET**



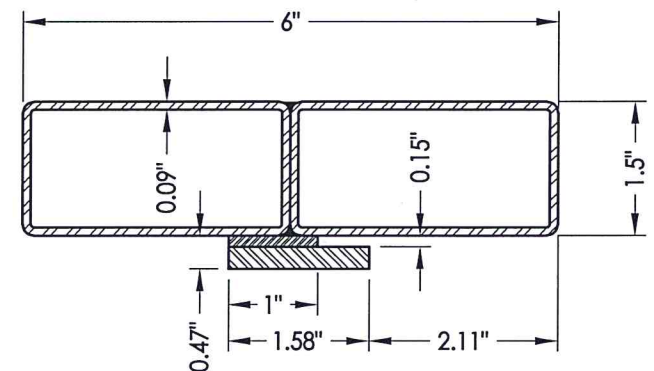
**2 ASTRAGAL**



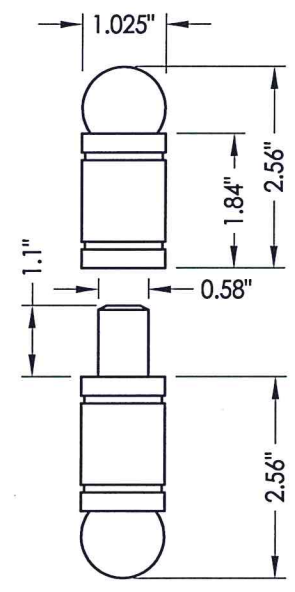
**27 ADJUSTABLE INSWING THRESHOLD**



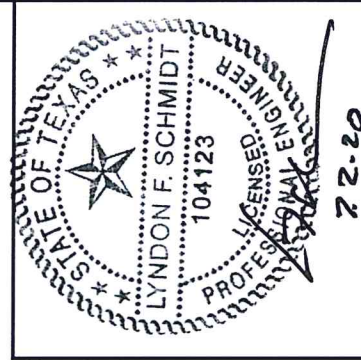
**1 DOOR FRAME w/STOP @ JAMBS**



**2 DOOR FRAME w/STOP @ HEAD**



**4 DOOR HINGE**



Documents Prepared By: Lyndon F. Schmidt, P.E.  
TEXAS P.E. #104123

**RW** BUILDING CONSULTANTS, INC.  
P.O. Box 230 Valrico FL 33595  
Phone No.: 813.659.9197

TEXAS BOARD OF PROFESSIONAL ENGINEERS  
CERTIFICATE OF REGISTRATION # F-11852

PRODUCT: COMPLEX INDUSTRIES GLAZED IRON DOOR

PART OR ASSEMBLY: BILL OF MATERIALS AND COMPONENTS

| NO. | DATE    | DESCRIPTION                 | LFS | BY |
|-----|---------|-----------------------------|-----|----|
| 1   | 7/02/20 | UPDATE TO 2018 IBC/IRC CODE |     |    |

DATE: 2/01/16

SCALE: N.T.S.

DWG. BY: JK

CHK. BY: LFS

DRAWING NO.: TX-4599

SHEET 5 OF 5