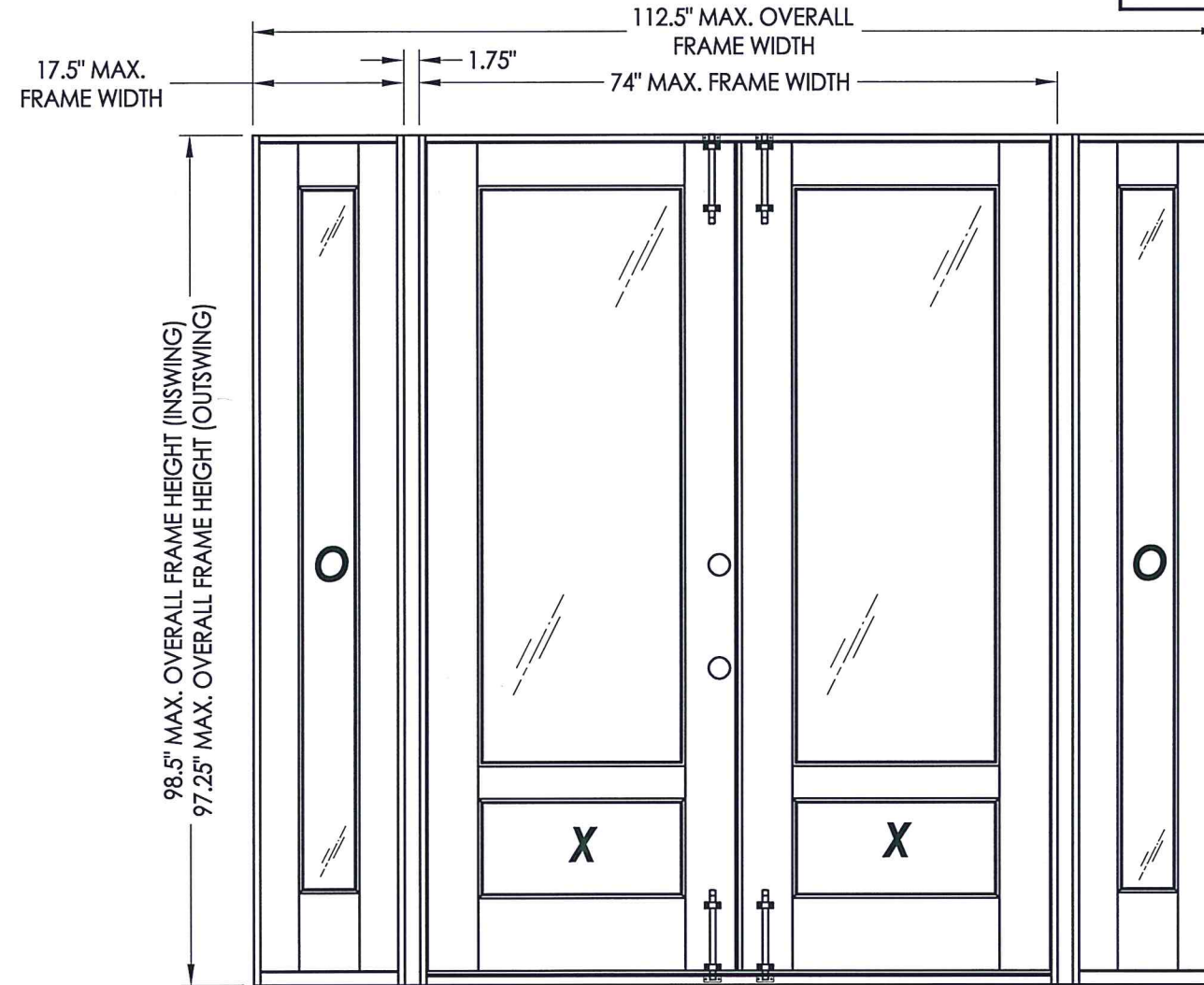


# STEVE'S AND SONS

203 Humble Ave.  
San Antonio, TX 78225



## GLAZED WOOD DOOR w/ or w/out SIDELITES INSWING / OUTSWING "NON-IMPACT"



### EVALUATED FOR USE IN THE STATE OF TEXAS

The Wood Door system described herein complies with the 2018 International Residential Code (IRC), Sections R301 & R609 and the 2018 International Building Code (IBC), Sections 1404.13, 1609, 1709.5, 2403 and 2404 subject to the following conditions:

1. Anchors shall be as listed and spaced as shown in the details. Anchor embedment to base material shall be beyond wall dressing or stucco.
2. When used in areas requiring wind-borne debris protection this product is required to be protected with an impact resistant covering that complies with Section R301.2.1.2 of the IRC and Section 1609.1.2 of the IBC.
3. Allowable design pressure requirements must be equal to or less than the design pressure rating shown in the design pressure chart, sheet 1 of this drawing.
4. Conditions not covered by this drawing are subject to further engineering analysis.

### TABLE OF CONTENTS

SHEET #	DESCRIPTION
1	Typical elevation, design pressures & general notes
2	Door panel & glazing details
3	Elevations
4	Horizontal cross section
5	Vertical cross sections
6	Frame anchoring
7	Bill of materials & components

CONFIGURATION	OVERALL FRAME DIMENSION	GLASS TYPE	DESIGN PRESSURE (PSF) INSWING		DESIGN PRESSURE (PSF) OUTSWING	
			POSITIVE	NEGATIVE	POSITIVE	NEGATIVE
X	37.5" x 98.5"	G1	+55.0	-55.0	+35.0	-35.0
OX/XO	56.75" x 98.5"	G1	+55.0	-55.0	+35.0	-35.0
XX	74.0" x 98.5"	G1	+55.0	-55.0	+35.0	-35.0
OXXO	112.5" x 98.5"	G1	+55.0	-55.0	+35.0	-35.0

Documents Prepared By: Lyndon F. Schmidt, P.E.  
TEXAS P.E. #104123

**R.W.** BUILDING CONSULTANTS, INC.  
P.O. Box 230 Valrico FL 33595  
Phone No.: 813.659.9197

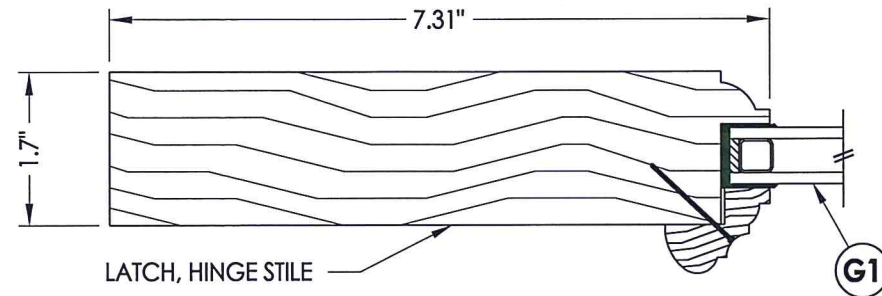
TEXAS BOARD OF PROFESSIONAL ENGINEERS  
CERTIFICATE OF REGISTRATION # F-11852

PRODUCT: STEVE'S AND SONS WOOD DOOR

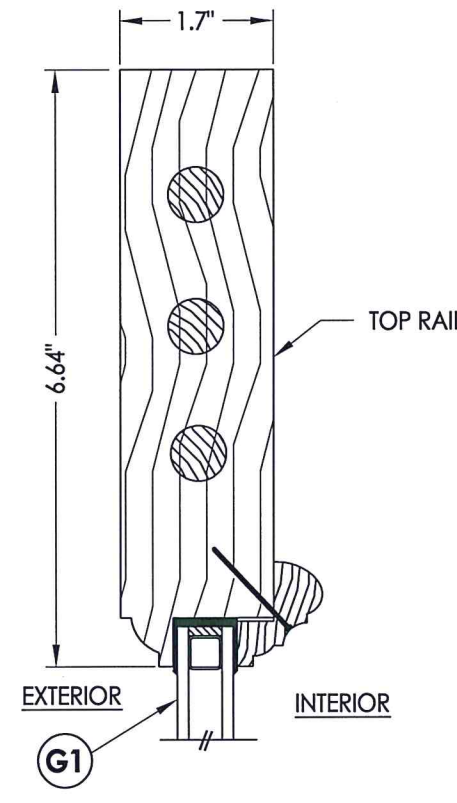
PART OR ASSEMBLY: TYPICAL ELEVATION, DESIGN PRESSURES & GENERAL NOTES

NO.	DATE	BY	REVISIONS
1	11/19/20	LFS	UPDATE TO 2018 IBC/IRC

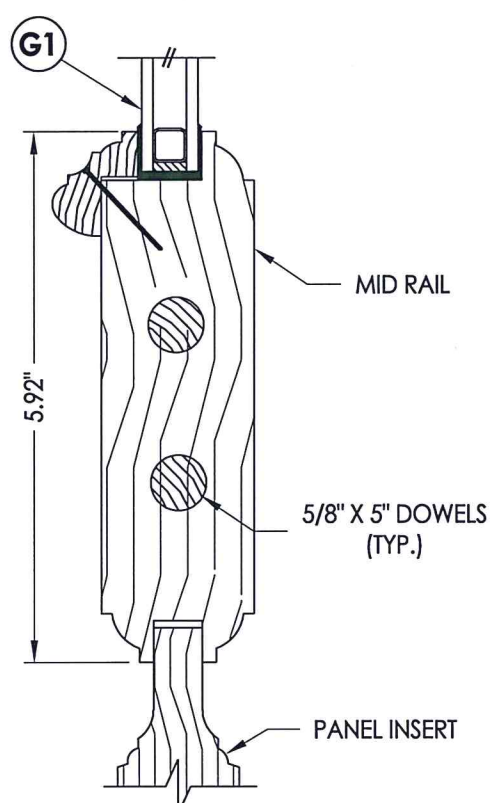
DATE: 9/29/15  
SCALE: N.T.S.  
DWG. BY: JK  
CHK. BY: LFS  
DRAWING NO.: TX-4566  
SHEET 1 OF 7



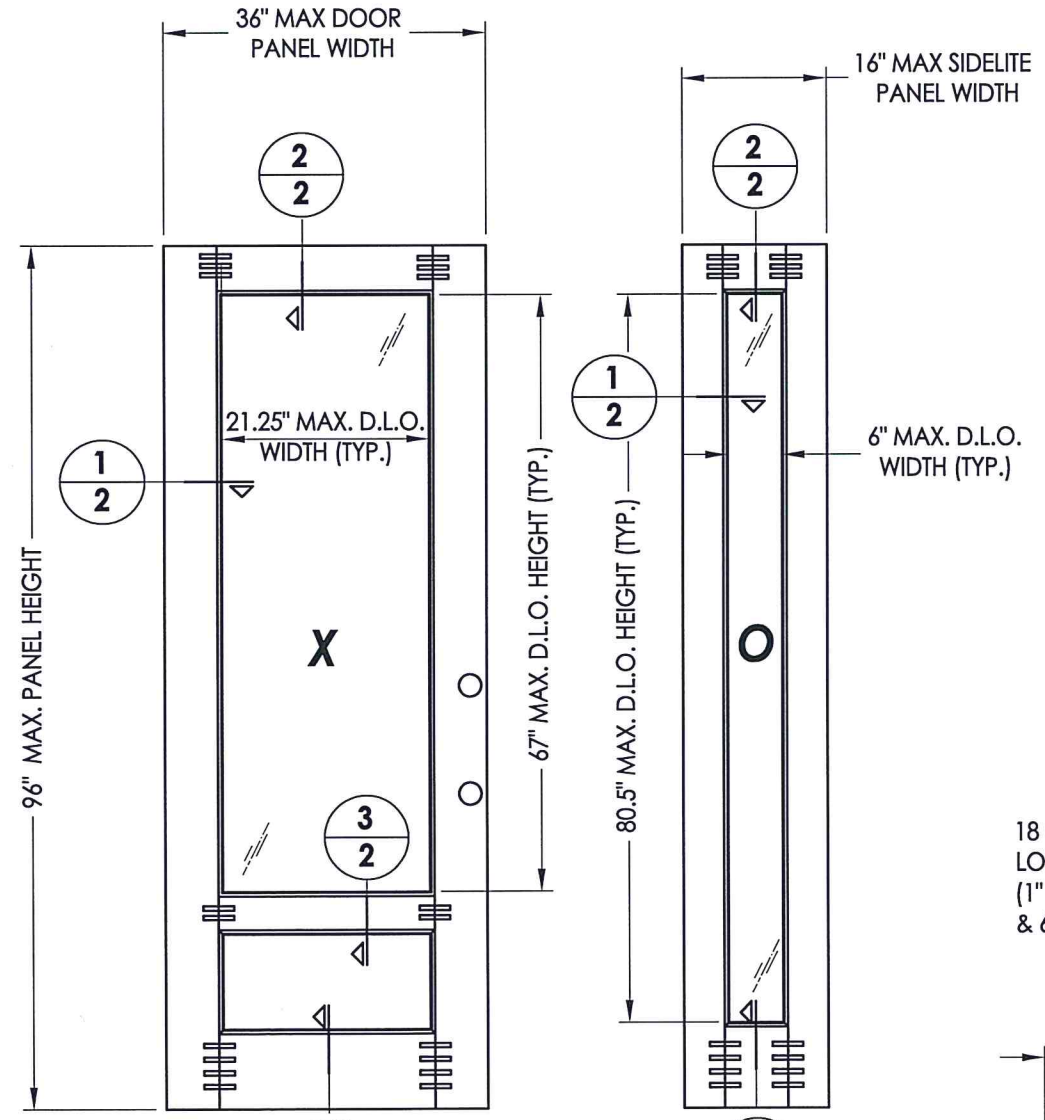
**1**  
**2** HORIZONTAL CROSS SECTION



**2**  
**2** VERTICAL CROSS SECTION

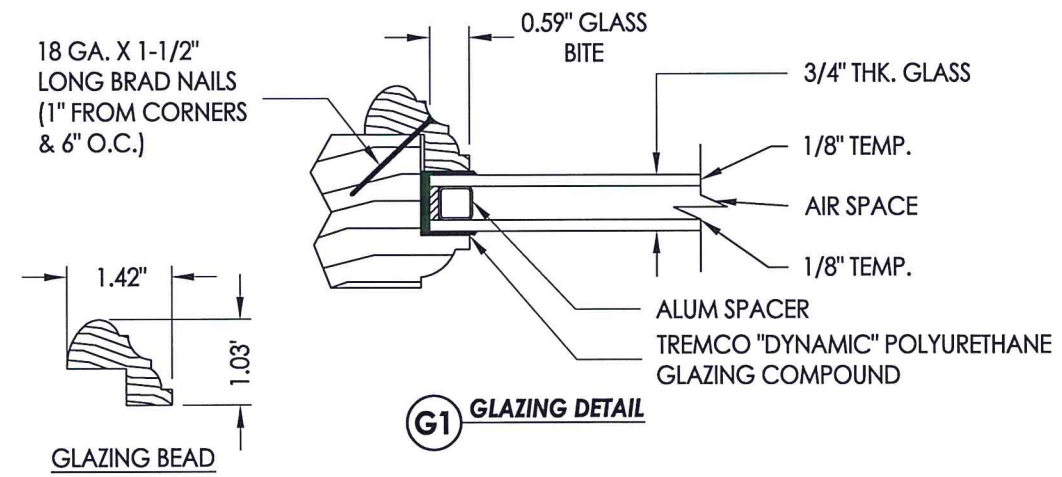


**3**  
**2** VERTICAL CROSS SECTION

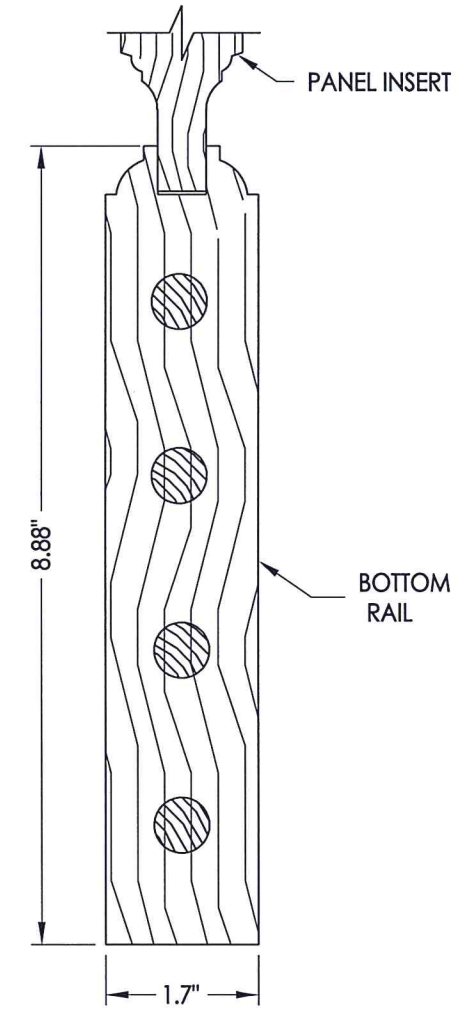


**4**  
**2**  
**40** DOOR PANEL

**4**  
**2**  
**60** SIDELITE PANEL



**G1** GLAZING DETAIL



**4**  
**2** VERTICAL CROSS SECTION



Documents Prepared By: Lyndon F. Schmidt, P.E.  
TEXAS P.E. #104123

**RW** BUILDING CONSULTANTS, INC.  
P.O. Box 230 Valrico FL, 33595  
Phone No.: 813.659.9197

TEXAS BOARD OF PROFESSIONAL ENGINEERS  
CERTIFICATE OF REGISTRATION # F-11852

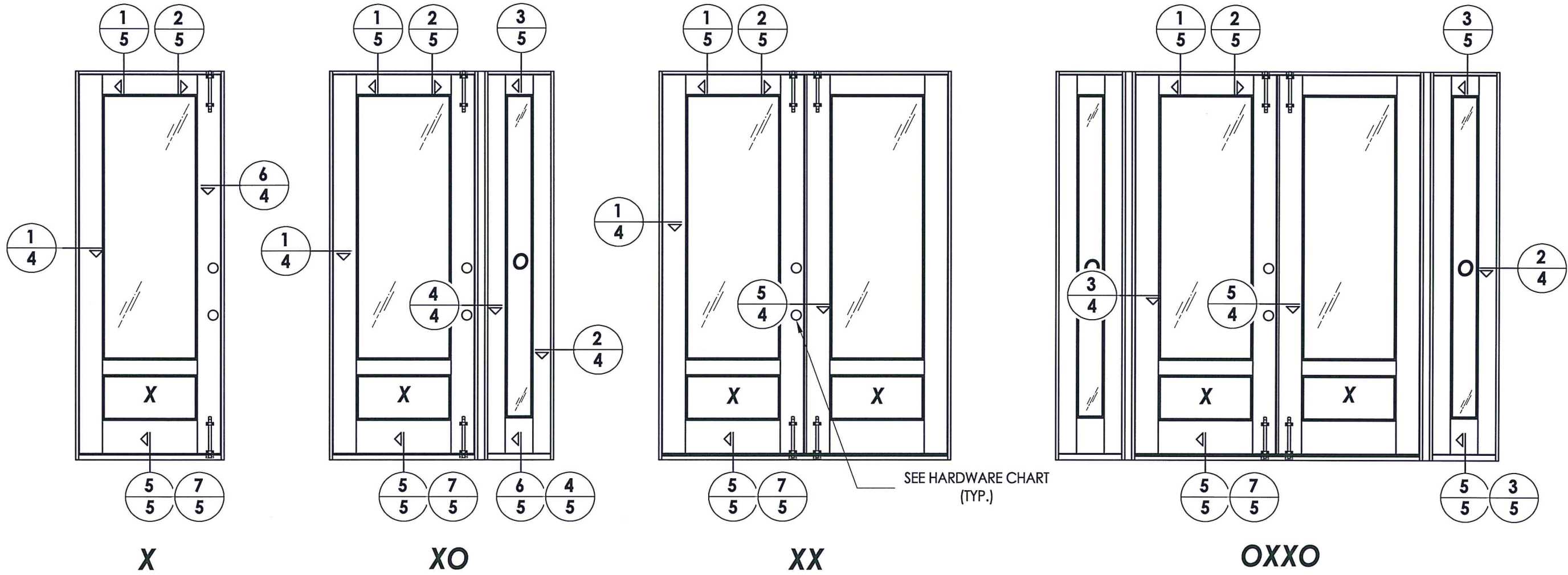
PRODUCT: STEVES AND SONS WOOD DOOR

PART OR ASSEMBLY: DOOR PANEL & GLAZING DETAILS

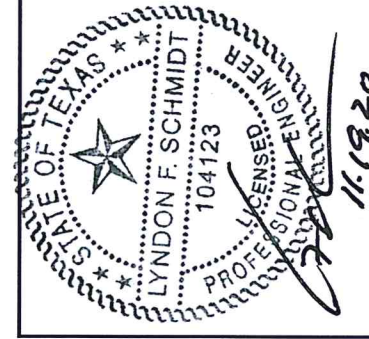
NO.	DATE	REVISIONS
1	11/19/20	UPDATE TO 2018 IBC/IRC
LFS		BY

DATE: 9/29/15  
SCALE: N.T.S.  
DWG. BY: JK  
CHK. BY: LFS  
DRAWING NO.: TX-4566  
SHEET 2 OF 7

R:\Clients\Steves and Sons - Permanent\B - Texas Dept of Ins\Hinged Doors - Wood\DR-781\C - Drawings\TX-4565-68.dwg, 3.2



HARDWARE TABLE		MAX. DESIGN PRESSURE
MANUFACTURER	MODEL	
DEXTER	KNOB: "J" Series DEADBOLT: "J" Series	+/- 55.0 PSF
W & F	Multi-point Lock (3 point)	+/- 35.0 PSF

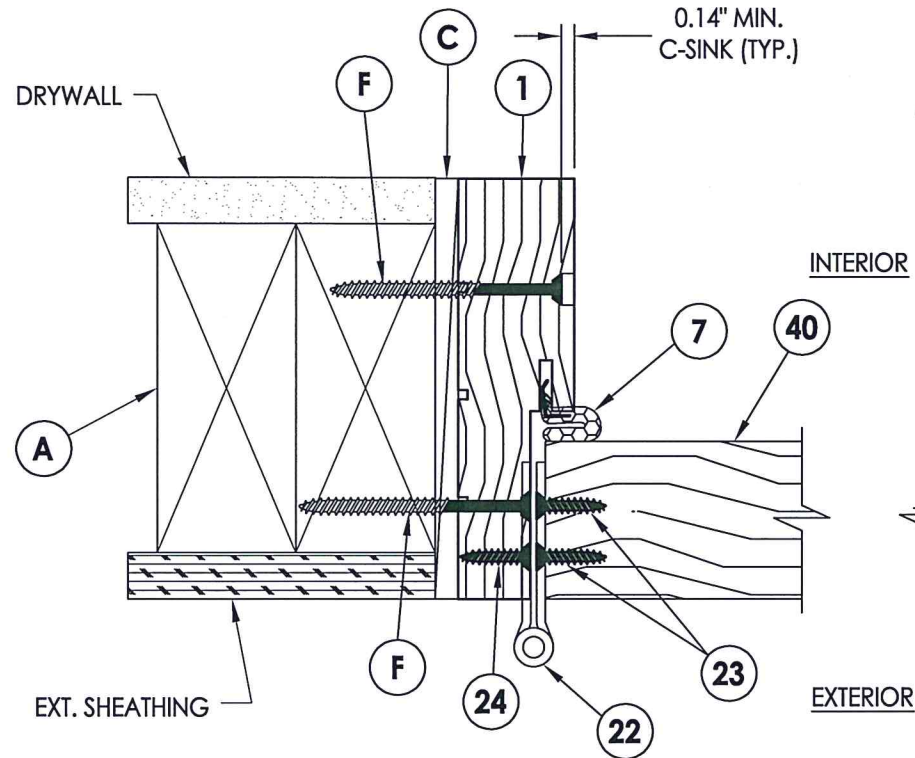


Documents Prepared By: Lyndon F. Schmidt, P.E.  
TEXAS P.E. #104123

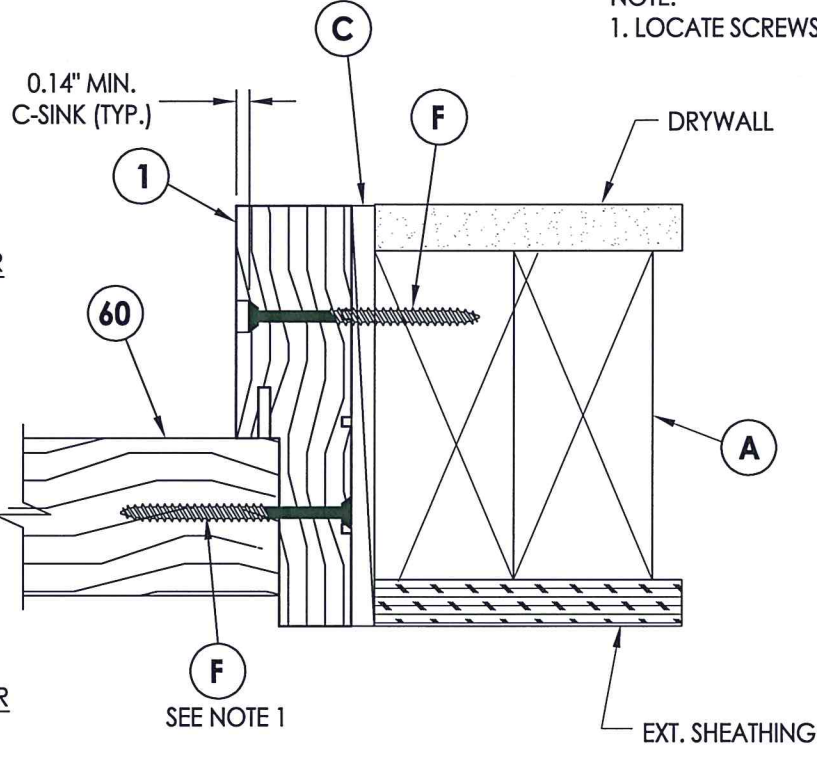
**RW** BUILDING CONSULTANTS, INC.  
P.O. Box 230 Valrico FL, 33595  
Phone No.: 813.659.9197  
TEXAS BOARD OF PROFESSIONAL ENGINEERS  
CERTIFICATE OF REGISTRATION # F-11852

PRODUCT: STEVES AND SONS WOOD DOOR	
PART OR ASSEMBLY: ELEVATIONS	
NO.	DATE
1	11/19/20
UPDATE TO 2018 IBC/IRC	
LFS	BY
REVISIONS	
DATE:	9/29/15
SCALE:	N.T.S.
DWG. BY:	JK
CHK. BY:	LFS
DRAWING NO.:	TX-4566
SHEET	3 OF 7

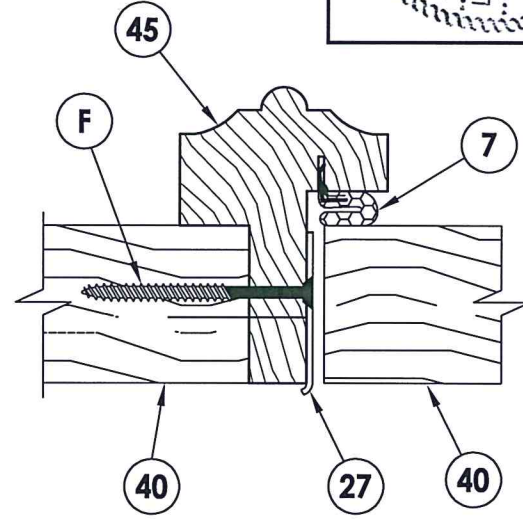
R:\Clients\Steves and Sons - Permanent\B - Texas Dept of Ins\Hinged Doors - Wood\DR-781\C - Drawings\TX-4565-68.dwg, 4.2



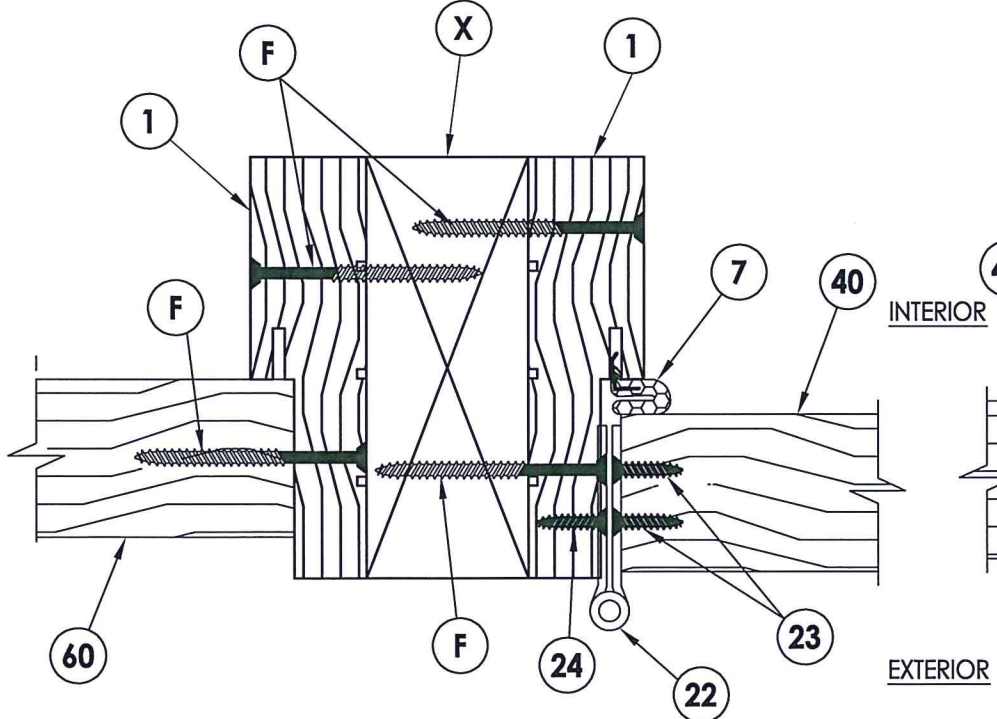
**1** HORIZONTAL CROSS SECTION  
4 Outswing shown (Inswing similar)



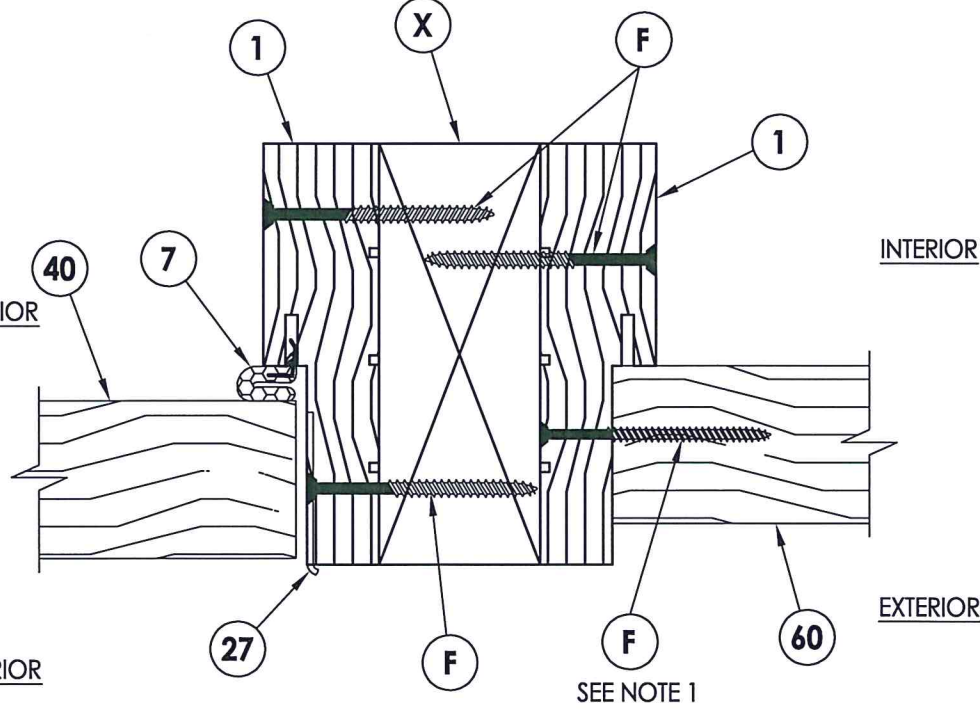
**2** HORIZONTAL CROSS SECTION  
4 Outswing shown (Inswing similar)



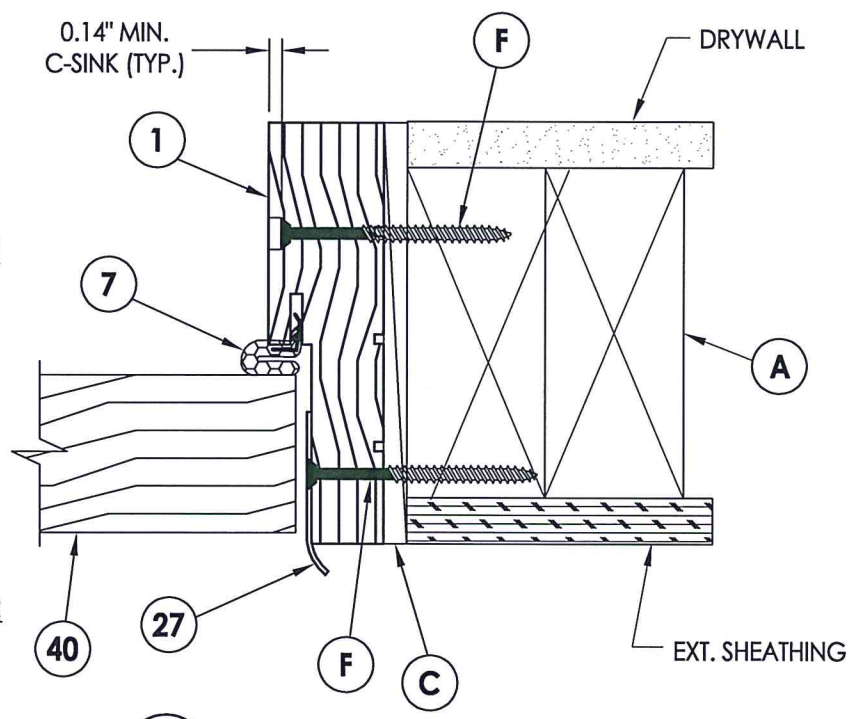
**5** HORIZONTAL CROSS SECTION  
4 Outswing shown (Inswing similar)



**3** HORIZONTAL CROSS SECTION  
4 Outswing shown (Inswing similar)



**4** HORIZONTAL CROSS SECTION  
4 Outswing shown (Inswing similar)



**6** HORIZONTAL CROSS SECTION  
4 Outswing shown (Inswing similar)

NOTE:  
1. LOCATE SCREWS 6" FROM ENDS & 6" O.C. THEREAFTER.



Documents Prepared By: Lyndon F. Schmidt, P.E.  
TEXAS P.E. #104123

**RW** BUILDING CONSULTANTS, INC.  
P.O. Box 230 Valrico FL, 33595  
Phone No.: 813.659.9197

TEXAS BOARD OF PROFESSIONAL ENGINEERS  
CERTIFICATE OF REGISTRATION # F-11852

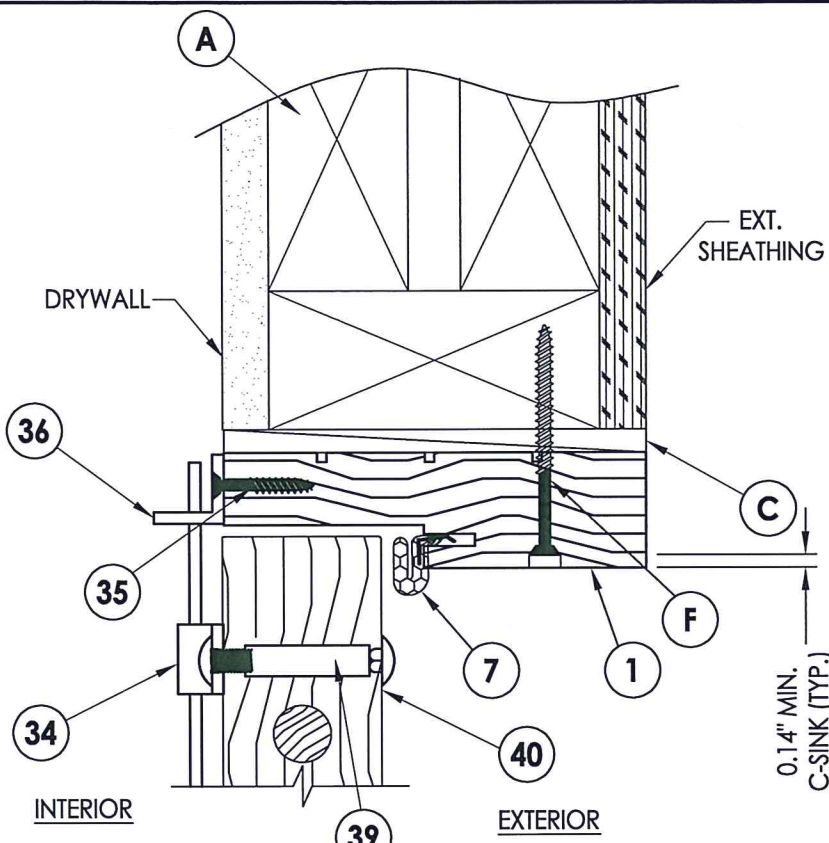
PRODUCT: STEVES AND SONS WOOD DOOR

PART OR ASSEMBLY: HORIZONTAL CROSS SECTIONS

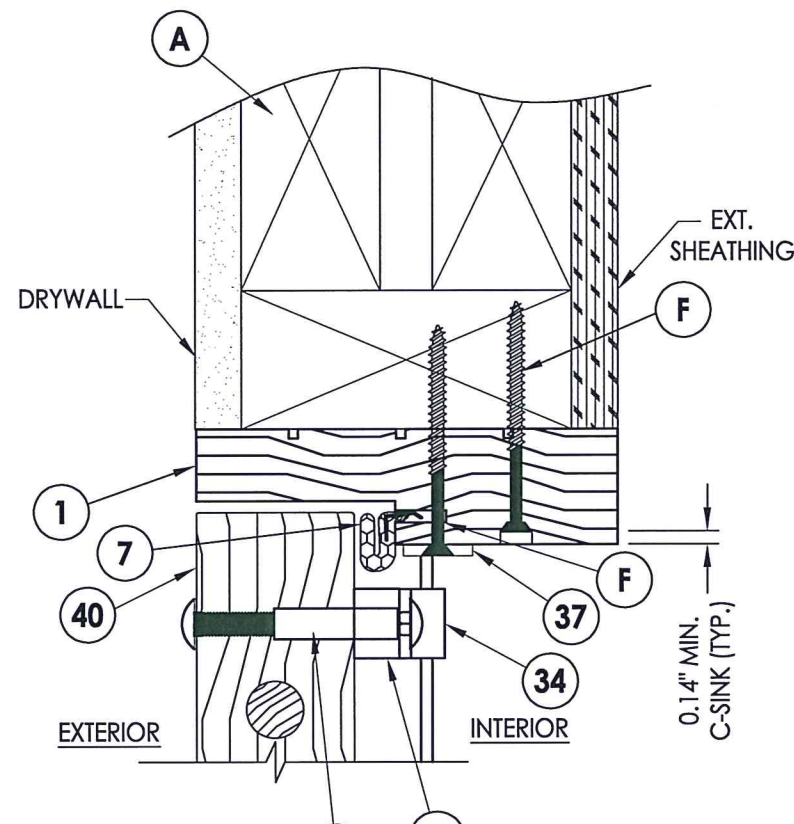
NO.	DATE	BY	REVISIONS
1	11/19/20	LFS	UPDATE TO 2018 IBC/IRC

DATE: 9/29/15  
SCALE: N.T.S.  
DWG. BY: JK  
CHK. BY: LFS  
DRAWING NO.: TX-4566  
SHEET 4 OF 7

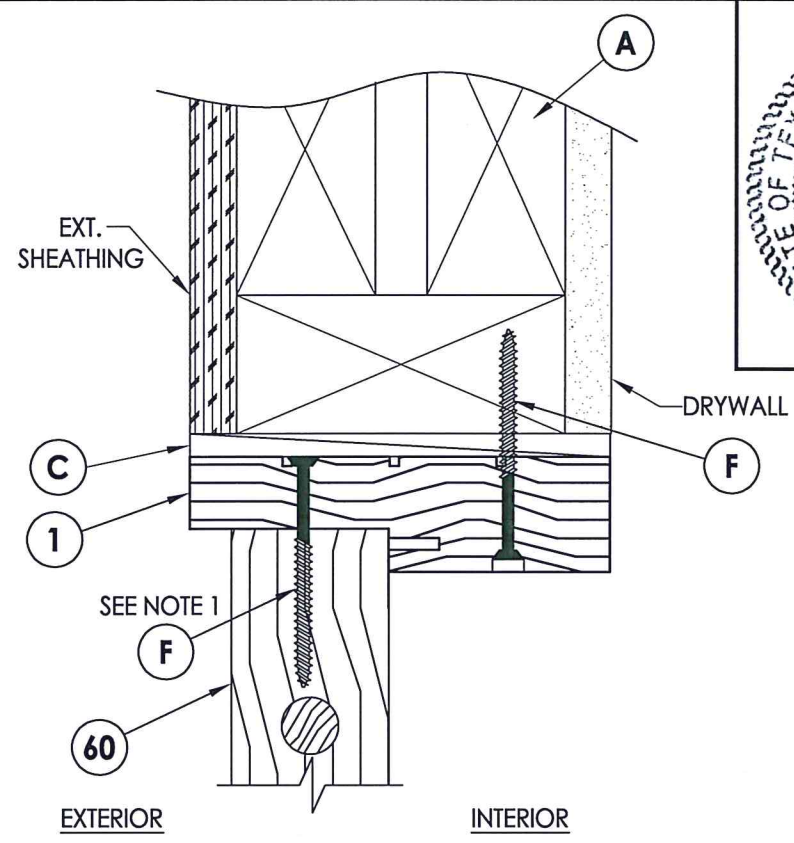
R:\Clients\Steves and Sons - Permanent\B - Texas Dept of Ins\Hinged Doors - Wood\DR-781\C - Drawings\TX-4565-68.dwg, 5.2



**1 VERTICAL CROSS SECTION**  
5 Inswing shown

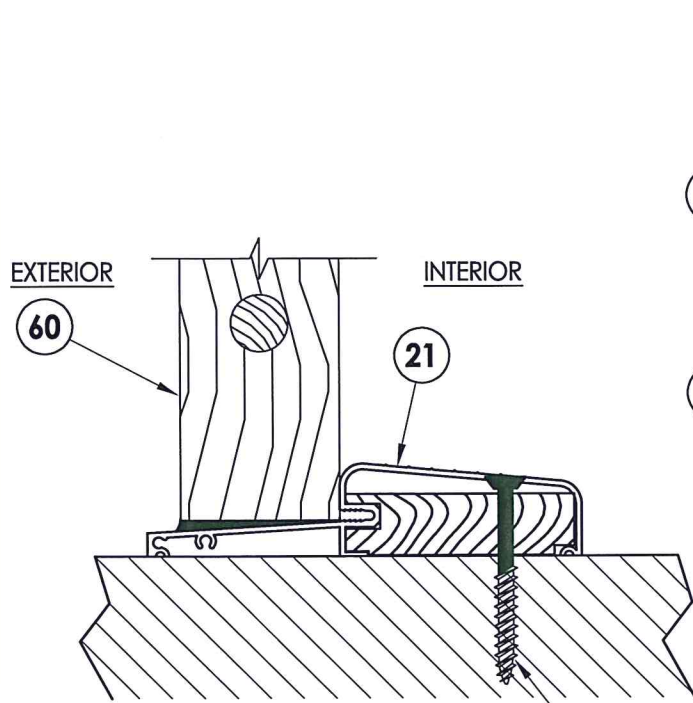


**2 VERTICAL CROSS SECTION**  
5 Outswing shown

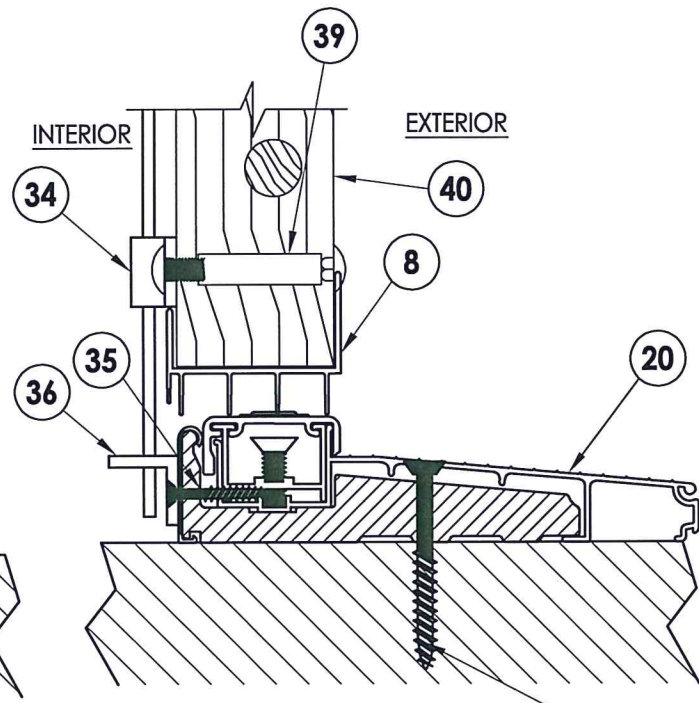


**3 VERTICAL CROSS SECTION**  
5 Outswing shown (inswing similar)

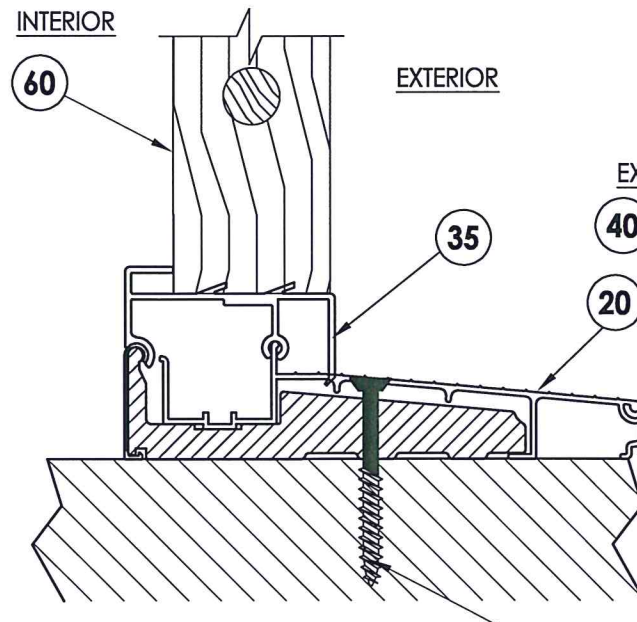
NOTE:  
1. LOCATE SCREWS 6" FROM EACH END.



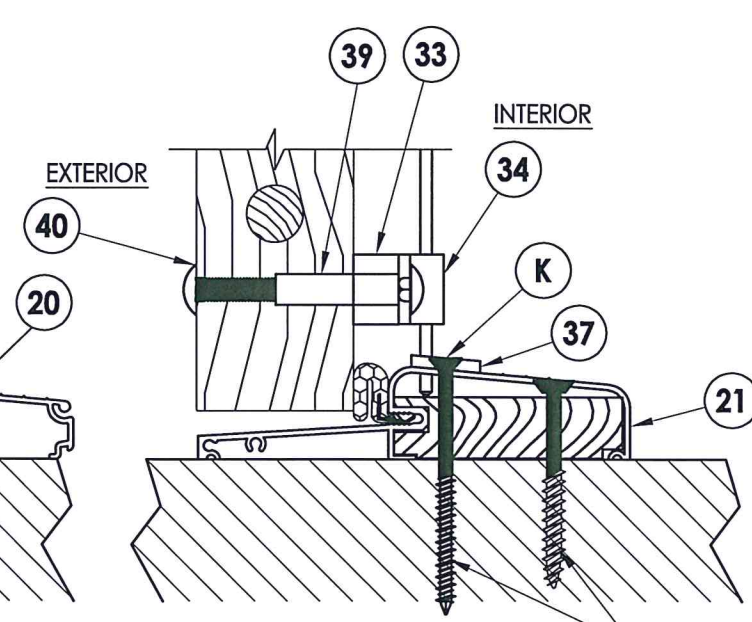
**4 VERTICAL CROSS SECTION**  
5 Outswing sill  
P WOOD  
D CONCRETE



**5 VERTICAL CROSS SECTION**  
5 Inswing sill  
P WOOD  
D CONCRETE



**6 VERTICAL CROSS SECTION**  
5 Inswing sill  
P WOOD  
D CONCRETE



**7 VERTICAL CROSS SECTION**  
5 Outswing sill  
P WOOD  
D CONCRETE



Documents Prepared By: Lyndon F. Schmidt, P.E.  
TEXAS P.E. #104123

RW BUILDING CONSULTANTS, INC.  
P.O. Box 230 Valrico FL 33595  
Phone No.: 813.659.9197

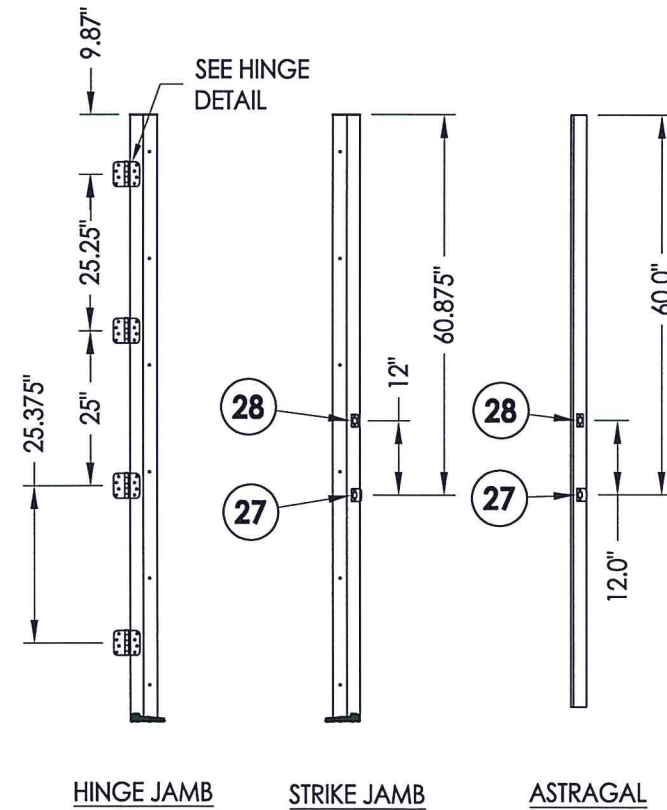
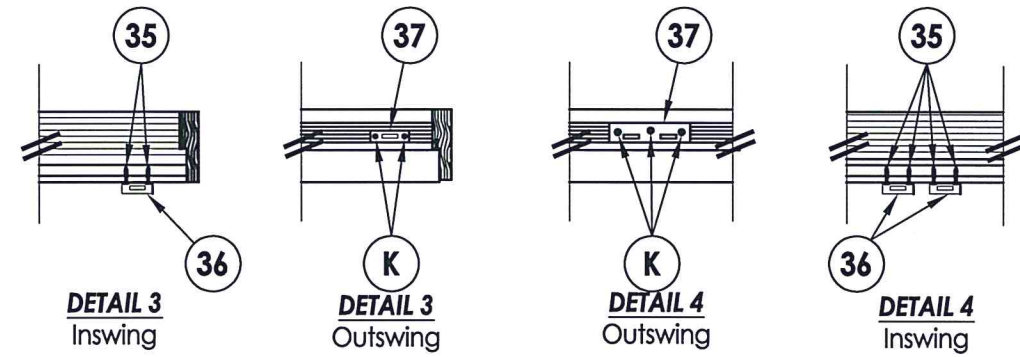
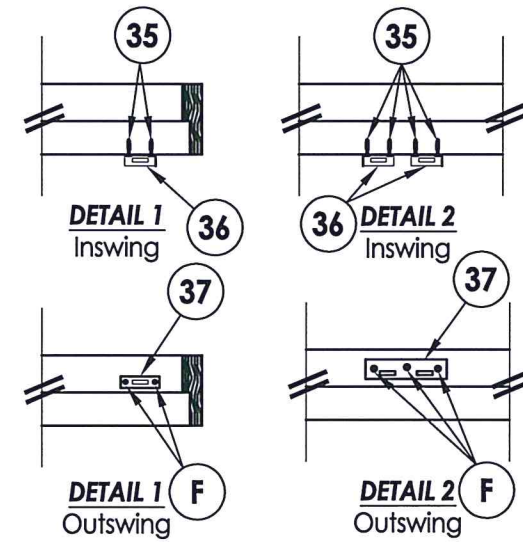
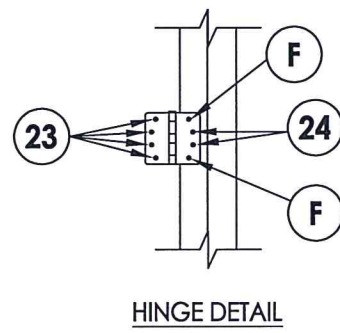
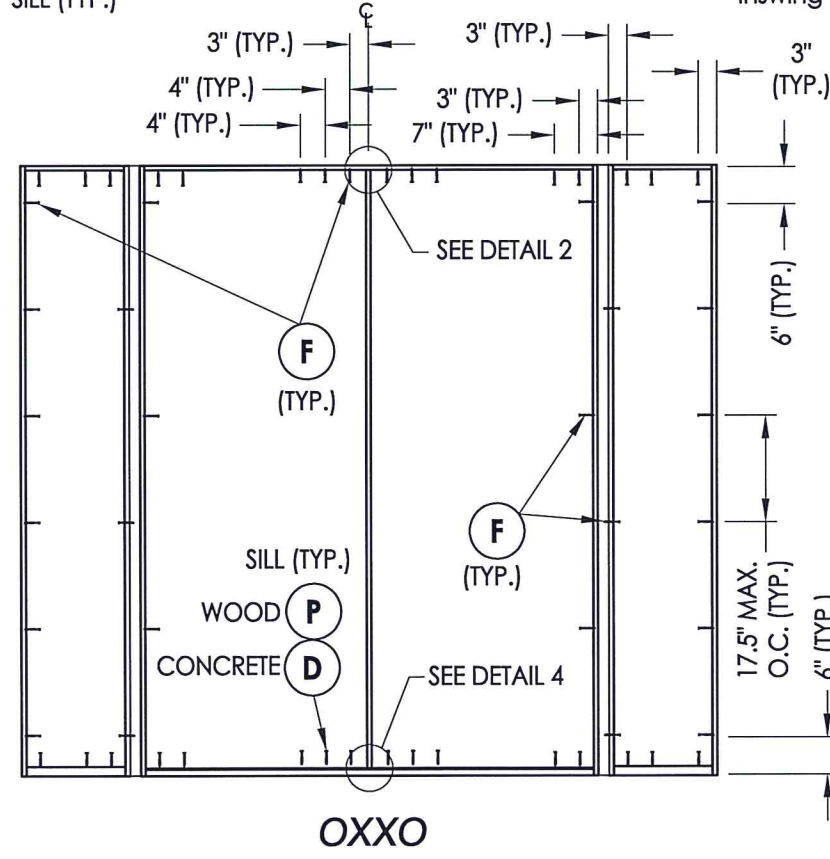
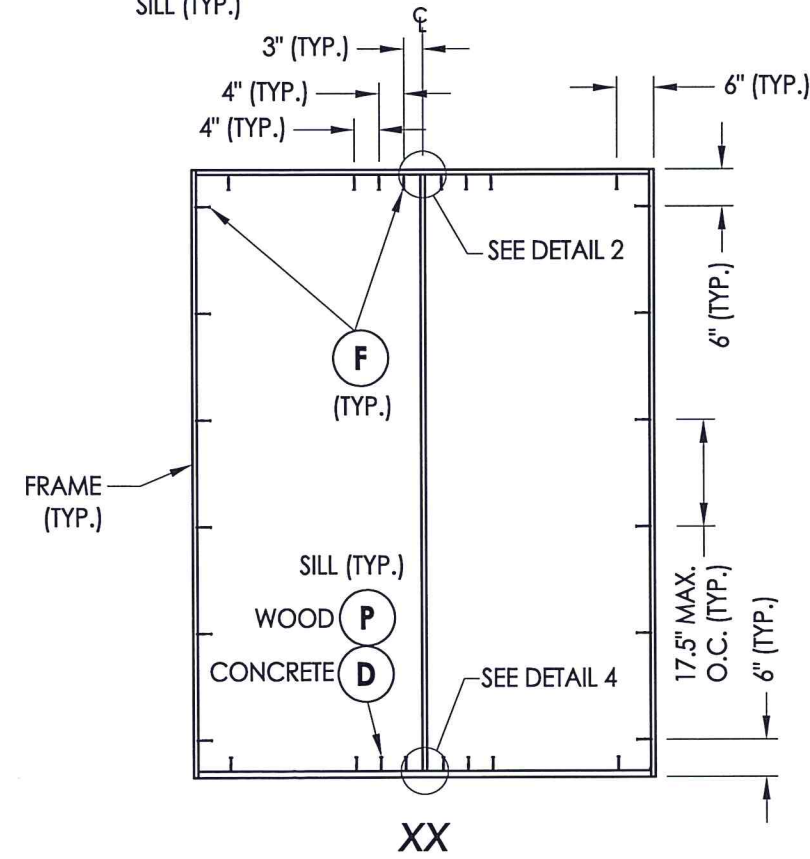
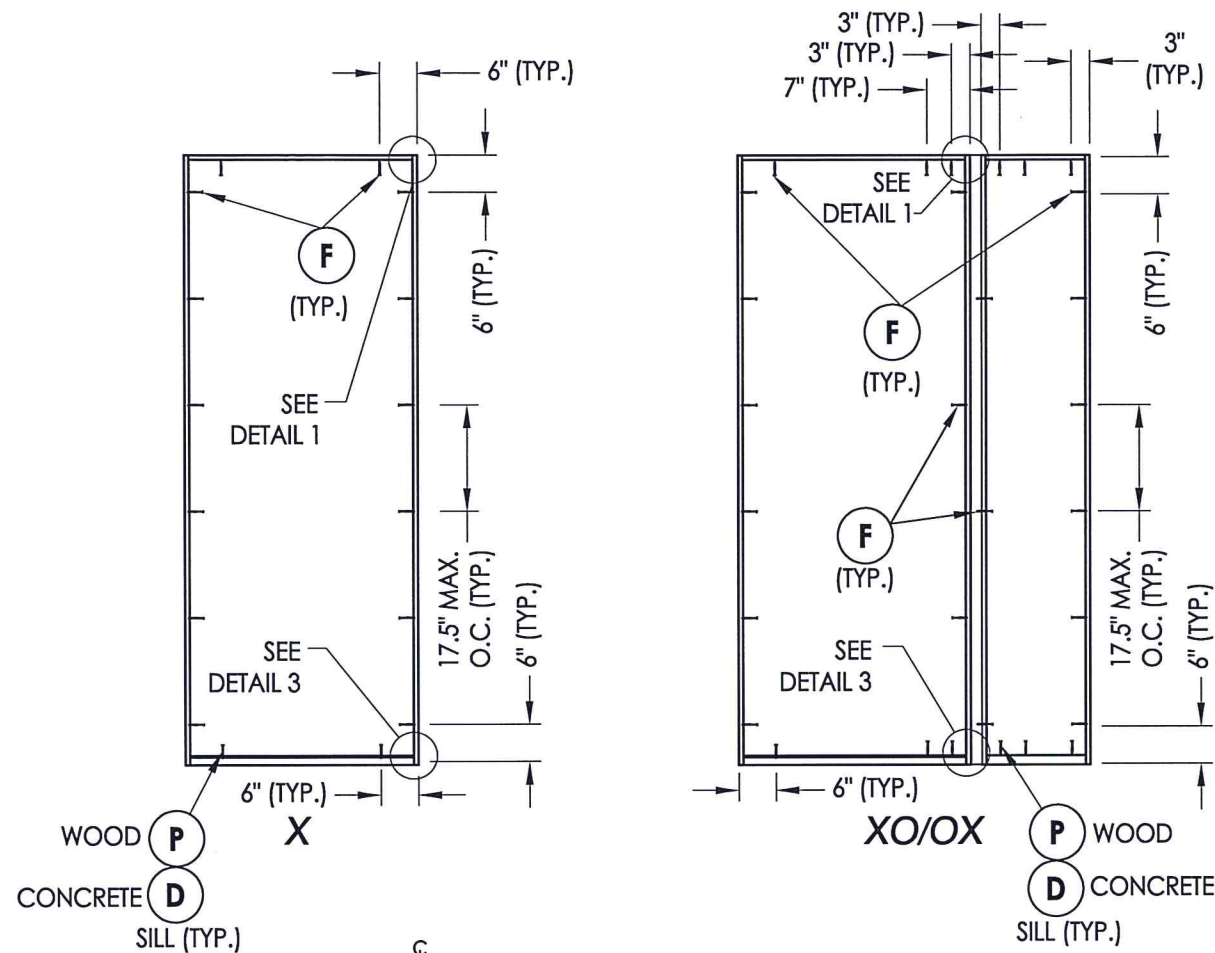
TEXAS BOARD OF PROFESSIONAL ENGINEERS  
CERTIFICATE OF REGISTRATION # F-11852

PRODUCT: STEVES AND SONS WOOD DOOR  
PART OR ASSEMBLY: VERTICAL CROSS SECTIONS

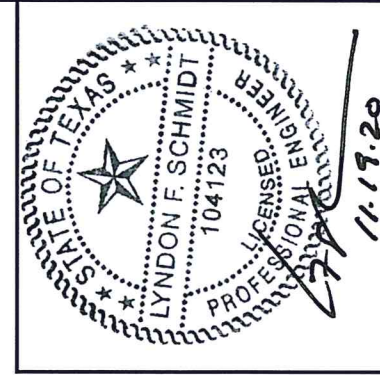
NO.	DATE	REVISIONS	LFS	BY
1	11/19/20	UPDATE TO 2018 IBC/IRC	LFS	BY

DATE: 9/29/15  
SCALE: N.T.S.  
DWG. BY: JK  
CHK. BY: LFS  
DRAWING NO.: TX-4566  
SHEET 5 OF 7

© 2015 R.W. BUILDING CONSULTANTS INC.



**FRAME ANCHORING**



Documents Prepared By: Lyndon F. Schmidt, P.E.  
TEXAS P.E. #104123

**RW** BUILDING CONSULTANTS, INC.  
P.O. Box 230 Valrico FL 33595  
Phone No.: 813.659.9197

TEXAS BOARD OF PROFESSIONAL ENGINEERS  
CERTIFICATE OF REGISTRATION # F-11852

PRODUCT: STEVES AND SONS WOOD DOOR

PART OR ASSEMBLY: FRAME ANCHORING

NO.	DATE	BY	REVISIONS
1	11/19/20	LFS	UPDATE TO 2018 IBC/IRC

DATE: 9/29/15  
SCALE: N.T.S.  
DWG. BY: JK  
CHK. BY: LFS  
DRAWING NO.: TX-4566  
SHEET 6 OF 7

R:\Clients\Steves and Sons - Permanent\B - Texas Dept of Ins\Hinged Doors - Wood\DR-78\C - Drawings\TX-4565-68.dwg, 7.2

**BILL OF MATERIALS**

ITEM #	DESCRIPTION	MATERIAL
A	2X FRAMING (G >= 0.42)	WOOD
C	1/4" MAX. SHIM SPACE	-
D	1/4" PFH DeWALT OR ITW CONCRETE SCREW (1-3/4" MIN. EMBEDMENT)	STEEL
F	#8 X 2-1/2" PFH WOOD SCREW (1.15" MIN. EMBEDMENT)	STEEL
K	3/16" PFH ITW CONCRETE SCREW (1-3/4" MIN. EMBEDMENT)	STEEL
P	#10 PFH WOOD SCREW (1-3/4" MIN. EMBEDMENT)	STEEL
X	1-3/4" X 4-5/8" DOUGLAS FIR MULLION (G >= 0.50)	WOOD
1	HEAD AND SIDE JAMB	WOOD
7	WEATHERSTRIP	FOAM
8	DOOR SWEEP	WOOD
19	SIDELITE SPACER	PVC
20	INSWING SILL	WOOD
21	OUTSWING SILL	WOOD
22	4" x 4" HINGE	STEEL
23	#9 X 3/4" PFH WOOD SCREW	STEEL
24	#8 X 3/4" PFH WOOD SCREW	STEEL
27	LATCH STRIKE PLATE	STEEL
28	DEADBOLT STRIKE PLATE	STEEL
33	SURFACE BOLT SPACER	-
34	SURFACE BOLT (IVES 454 8" LONG)	STEEL
35	#8 X 1" PFH WOOD SCREW	STEEL
36	SURFACE BOLT GUIDE PLATE	STEEL
37	SURFACE BOLT STRIKE	STEEL
39	#10 X 2" SEX BOLT	STEEL
40	WOOD DOOR PANEL	-
45	ASTRAGAL	WOOD
60	SIDELITE PANEL	-

NOTE: WOOD DOOR COMPONENTS: PINE CORE W/ DOUGLAS FIR LAMINATE

**CONCRETE ANCHOR NOTES:**

- Concrete anchor locations at the corners may be adjusted to maintain the min. edge distance to mortar joints.
- Concrete anchor locations noted as "MAX. ON CENTER" must be adjusted to maintain the min. edge distance to mortar joints, additional concrete anchors may be required to ensure the "MAX. ON CENTER" dimension are not exceeded.
- Concrete anchor table:

ANCHOR TYPE	ANCHOR SIZE	MIN. EMBEDMENT	MIN. CLEARANCE TO MASONRY EDGE	MIN. CLEARANCE TO ADJACENT ANCHOR
ITW TAPCON®	1/4"	1-1/4"	2"	4"
DeWALT ULTRACON®	1/4"	1-1/4"	1"	4"
ITW TAPCON®	3/16"	1-1/4"	3"	1-1/2"

**WOOD SCREW INSTALLATION NOTES:**

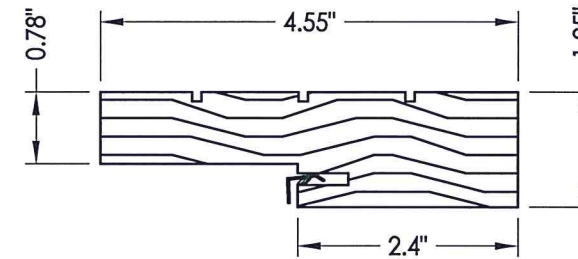
- Maintain a minimum 5/8" edge distance, 1" end distance, & 1" o.c. spacing of wood screws to prevent the splitting of wood.



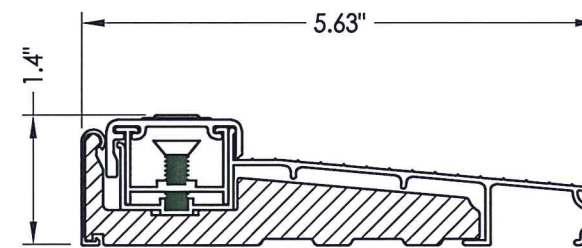
Documents Prepared By: Lyndon F. Schmidt, P.E.  
TEXAS P.E. #104123

**RW** BUILDING CONSULTANTS, INC.  
P.O. Box 230 Valrico FL, 33595  
Phone No.: 813.659.9197

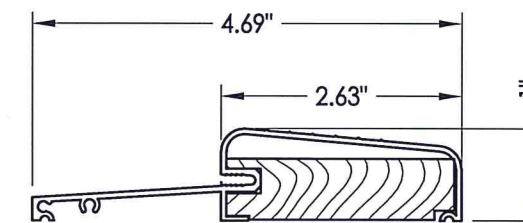
TEXAS BOARD OF PROFESSIONAL ENGINEERS  
CERTIFICATE OF REGISTRATION # F-11852



1 FRAME



20 INSWING THRESHOLD



21 OUTSWING THRESHOLD

PRODUCT:	STEVES AND SONS WOOD DOOR	
PART OR ASSEMBLY:	BILL OF MATERIALS & COMPONENTS	
NO.	DATE	DESCRIPTION
1	11/19/20	UPDATE TO 2018 IBC/IRC REVISIONS
DATE: 9/29/15		
SCALE: N.T.S.		
DWG. BY: JK		
CHK. BY: LFS		
DRAWING NO.: TX-4566		
SHEET 7 OF 7		