

REVISIONS			
REV	DESCRIPTION	DATE	APPROVED
A	ADDED STRIKE AND GLASS DETAILS	01/06/16	R.L.

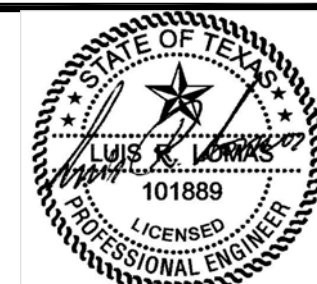
NOTES:

1. THE PRODUCT SHOWN HEREIN IS DESIGNED AND MANUFACTURED TO COMPLY WITH REQUIREMENTS OF THE 2006 IBC AND 2006 IRC WITH STATE OF TEXAS MODIFICATIONS.
2. WOOD FRAMING, METAL STRUCTURE AND MASONRY OPENING TO BE DESIGNED AND ANCHORED TO PROPERLY TRANSFER ALL LOADS TO STRUCTURE. FRAMING AND MASONRY OPENING IS THE RESPONSIBILITY OF THE ARCHITECT OR ENGINEER OF RECORD.
3. 1X BUCK OVER MASONRY/CONCRETE IS OPTIONAL. WHERE 1X BUCK IS NOT USED DISSIMILAR MATERIALS MUST BE SEPARATED WITH APPROVED COATING OR MEMBRANE. SELECTION OF COATING OR MEMBRANE IS THE RESPONSIBILITY OF THE ARCHITECT OR ENGINEER OF RECORD.
4. ALLOWABLE STRESS INCREASE OF 1/3 WAS NOT USED IN THE DESIGN OF THE PRODUCT SHOWN HEREIN. WIND LOAD DURATION FACTOR Cd=1.6 WAS USED FOR WOOD ANCHOR CALCULATIONS.
5. FRAME MATERIAL: COMPOSITE OR WOOD  
DOOR SKIN MATERIAL: STEEL .033" THICK (MINIMUM), FIBERGLASS .085" THICK (MINIMUM)  
SIDELITE SKIN MATERIAL: STEEL .022" THICK (MINIMUM)
6. UNITS MUST BE GLAZED PER ASTM E1300-04, SEE SHEET 10 FOR GLASS DETAILS.
7. APPROVED IMPACT PROTECTIVE SYSTEM IS REQUIRED FOR THIS PRODUCT IN WIND BORNE DEBRIS REGIONS.
8. SHIM AS REQUIRED AT EACH INSTALLATION ANCHOR WITH LOAD BEARING SHIM. SHIM WHERE SPACE OF 1/16" OR GREATER OCCURS. MAXIMUM ALLOWABLE SHIM STACK TO BE 1/4".
9. FOR ANCHORING INTO WOOD FRAMING OR 2X BUCK USE #10 WOOD SCREWS WITH SUFFICIENT LENGTH TO ACHIEVE A 1 3/8" MINIMUM EMBEDMENT INTO SUBSTRATE. LOCATE ANCHORS AS SHOWN IN ELEVATIONS AND INSTALLATION DETAILS.
10. FOR ANCHORING INTO MASONRY/CONCRETE USE 3/16" TAPCONS WITH SUFFICIENT LENGTH TO ACHIEVE A 1 1/4" MINIMUM EMBEDMENT INTO SUBSTRATE WITH 2 1/2" MINIMUM EDGE DISTANCE. LOCATE ANCHORS AS SHOWN IN ELEVATIONS AND INSTALLATION DETAILS.
11. FOR ANCHORING INTO METAL STRUCTURE USE #10 SMS OR SELF DRILLING SCREWS WITH SUFFICIENT LENGTH TO ACHIEVE 3 THREADS MINIMUM BEYOND STRUCTURE INTERIOR WALL. LOCATE ANCHORS AS SHOWN IN ELEVATIONS AND INSTALLATION DETAILS.
12. ALL FASTENERS TO BE CORROSION RESISTANT.
13. INSTALLATION ANCHORS SHALL BE INSTALLED IN ACCORDANCE WITH ANCHOR MANUFACTURER'S INSTALLATION INSTRUCTIONS AND ANCHORS SHALL NOT BE USED IN SUBSTRATES WITH STRENGTHS LESS THAN THE MINIMUM STRENGTH SPECIFIED BELOW:
  - A. WOOD – MINIMUM SPECIFIC GRAVITY OF G=0.42
  - B. CONCRETE – MINIMUM COMPRESSIVE STRENGTH OF 3,192 PSI.
  - C. MASONRY – STRENGTH CONFORMANCE TO ASTM C-90, GRADE N, TYPE 1 (OR GREATER).
  - D. METAL STRUCTURE: STEEL 18GA, 33KSI OR ALUMINUM 6063-T5 1/8" THICK MINIMUM
14. DOOR CONSTRUCTION MAYBE CONTINUOUS HEAD FRAME AND CONTINUOUS THRESHOLD OR BOX CONSTRUCTION.

SIGNED: 01/07/2016

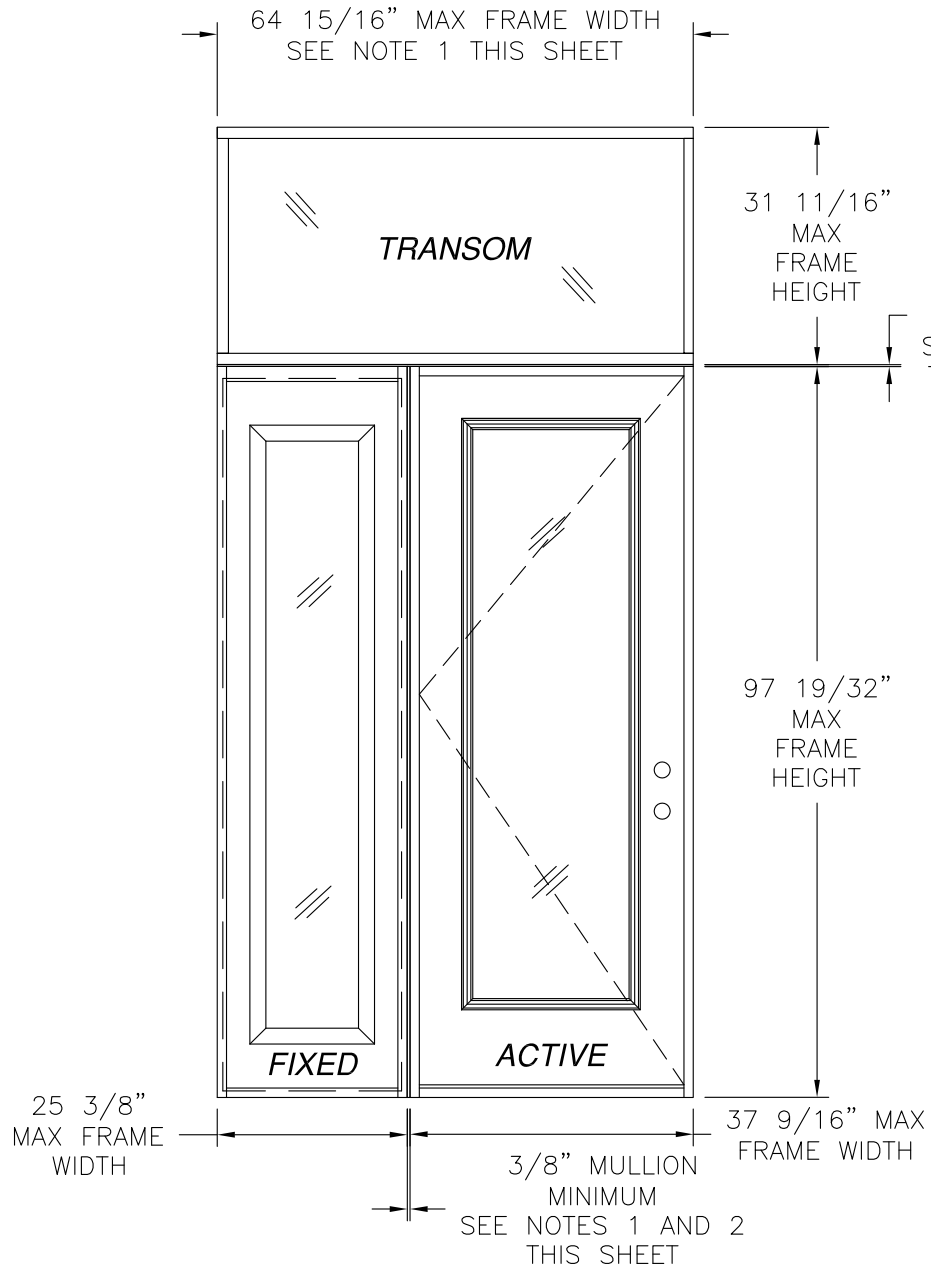
TABLE OF CONTENTS	
SHEET NO.	DESCRIPTION
1	NOTES
2 - 3	ELEVATIONS
4	ANCHORING LAYOUTS
5 - 7	INSTALLATION DETAILS
8 - 10	COMPONENTS AND GLASS DETAILS

<b>PROVIA DOOR, INC.</b> 2150 STATE ROUTE 39 SUGARCREEK, OH 44681		
STEEL/FIBERGLASS IS GLAZED SINGLE DOOR NI W/SIDELITES & TRANSOM COMPOSITE/WOOD FRAME NOTES		
DRAWN: V.L.	DWG NO. 08-02399	REV A
SCALE NTS	DATE 07/21/14	SHEET 1 OF 10

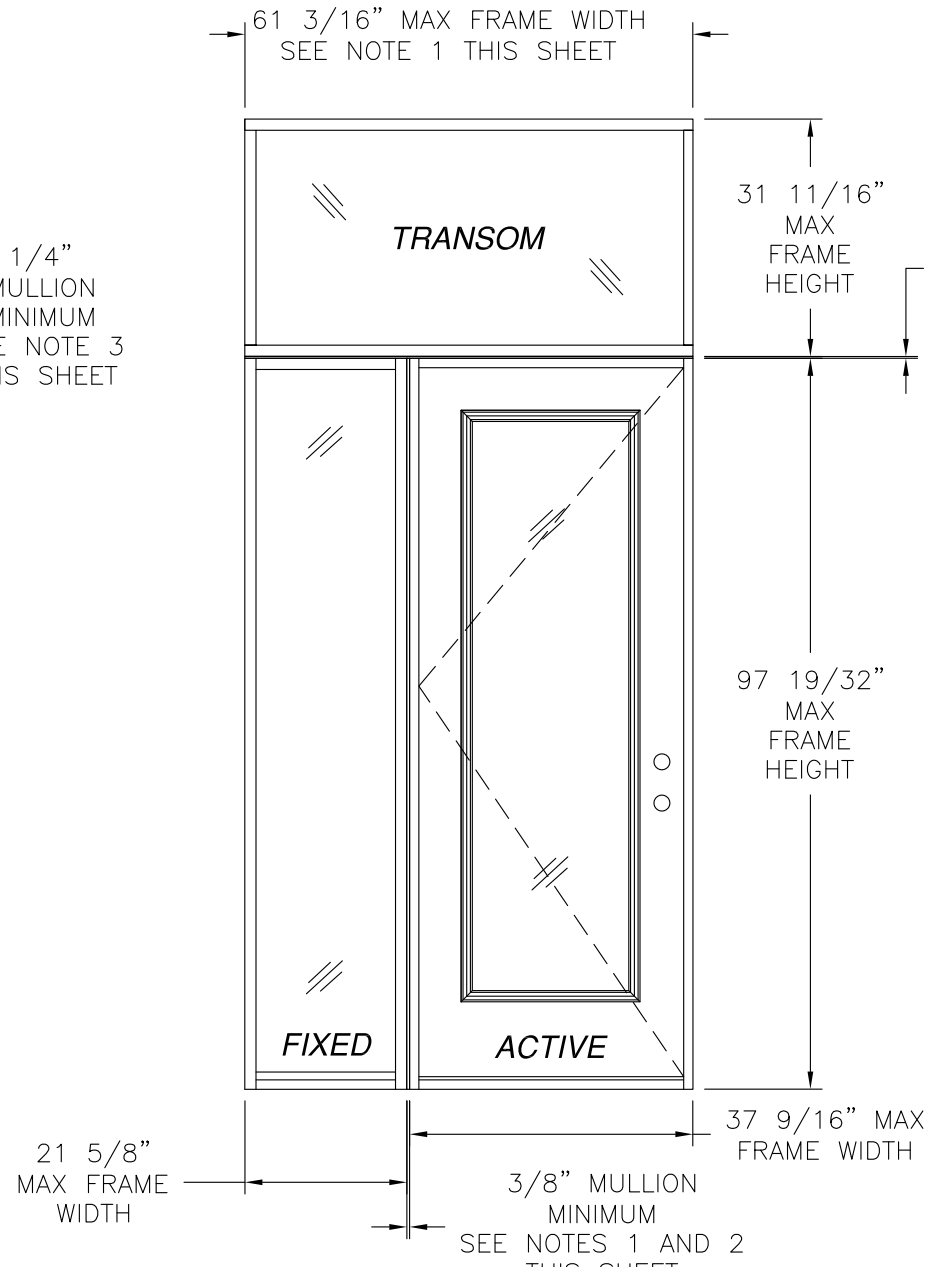


Luis R. Lomas P.E.  
TX No.: 101889

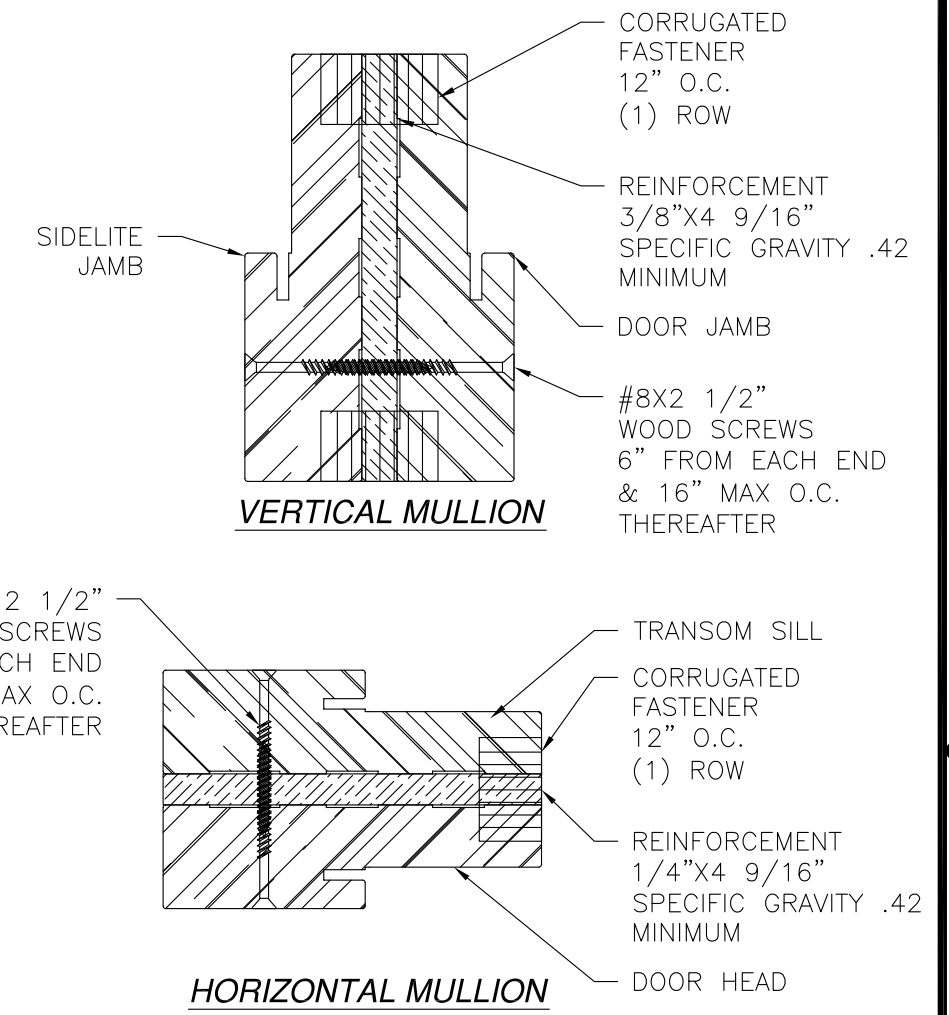
REVISIONS			
REV	DESCRIPTION	DATE	APPROVED
A	ADDED STRIKE AND GLASS DETAILS	01/06/16	R.L.



**SINGLE W/ STD SIDELITE AND TRANSOM**  
EXTERIOR VIEW  
OX SHOWN XO ALSO APPROVED



**SINGLE W/ DIRECT SET SIDELITE AND TRANSOM**  
EXTERIOR VIEW  
OX SHOWN XO ALSO APPROVED



- NOTES:
1. MAXIMUM ALLOWED BUILDUP AT VERTICAL MULLION TO BE 2".
  2. IF SIDELITE WIDTH IS 16" OR LESS NO VERTICAL MULLION IS REQUIRED.
  3. IF TRANSOM HEIGHT IS 16" OR LESS NO HORIZONTAL MULLION IS REQUIRED.

DESIGN PRESSURE RATING	IMPACT RATING
±55.0PSF	NONE

- D.L.O. NOTES:
1. MAXIMUM DOOR D.L.O.: 20 3/8" X 78 1/2"
  2. MAXIMUM STD. SIDELITE D.L.O.: 12 3/8" X 78 3/8"
  3. MAXIMUM DIRECT SET SIDELITE D.L.O.: 18 5/8" X 93 3/4"
  4. MAXIMUM TRANSOM D.L.O.: 91 5/16" X 28 11/16"

PROVIA DOOR, INC.  
2150 STATE ROUTE 39  
SUGARCREEK, OH 44681

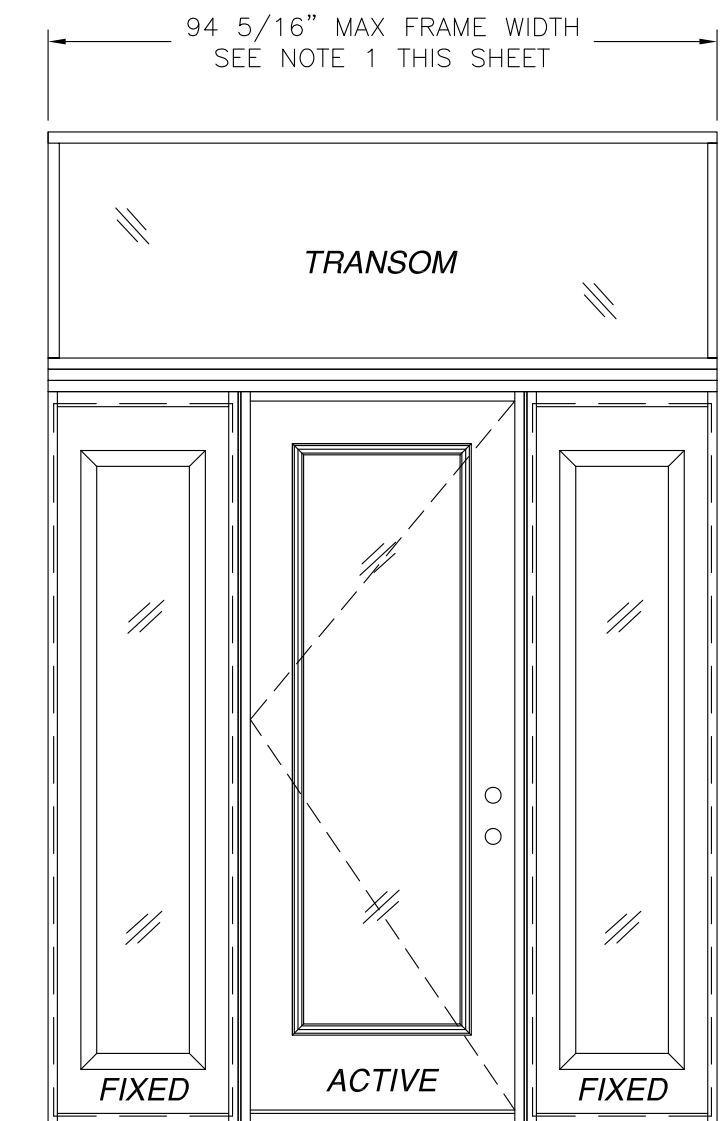
STEEL/FIBERGLASS IS GLAZED SINGLE DOOR NI  
W/SIDELITES & TRANSOM COMPOSITE/WOOD FRAME  
ELEVATIONS

DRAWN: V.L.	DWG NO. 08-02399	REV A
SCALE NTS	DATE 07/21/14	SHEET 2 OF 10

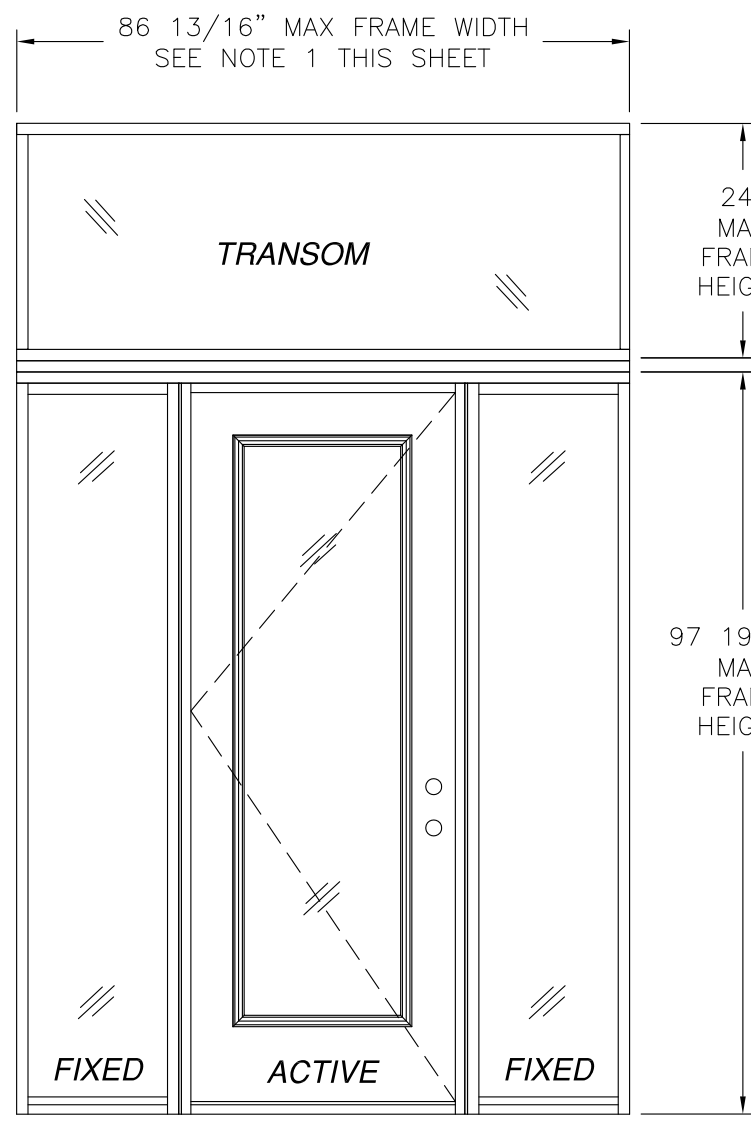
SIGNED: 01/07/2016

Luis R. Lomas P.E.  
TX No.: 101889

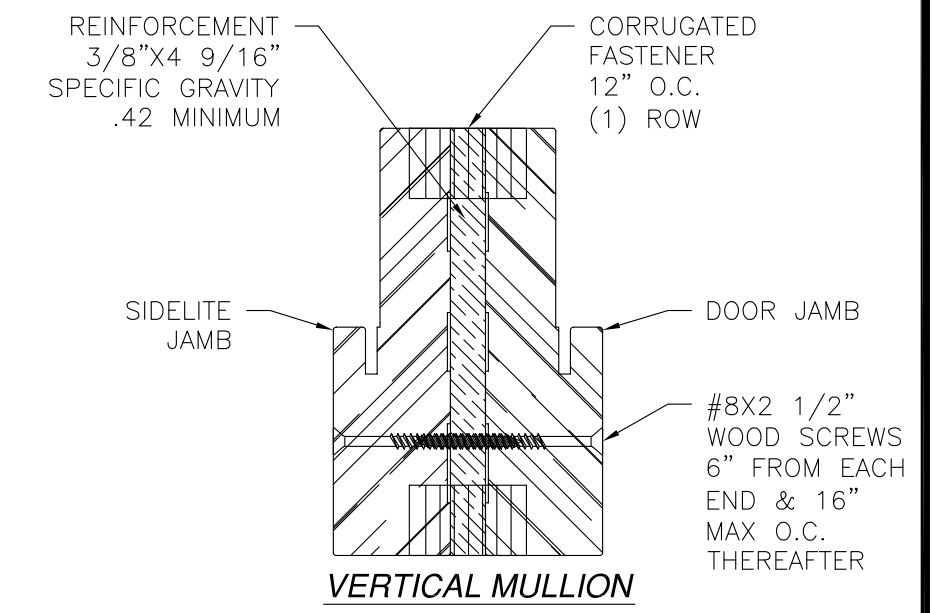
REVISIONS			
REV	DESCRIPTION	DATE	APPROVED
A	ADDED STRIKE AND GLASS DETAILS	01/06/16	R.L.



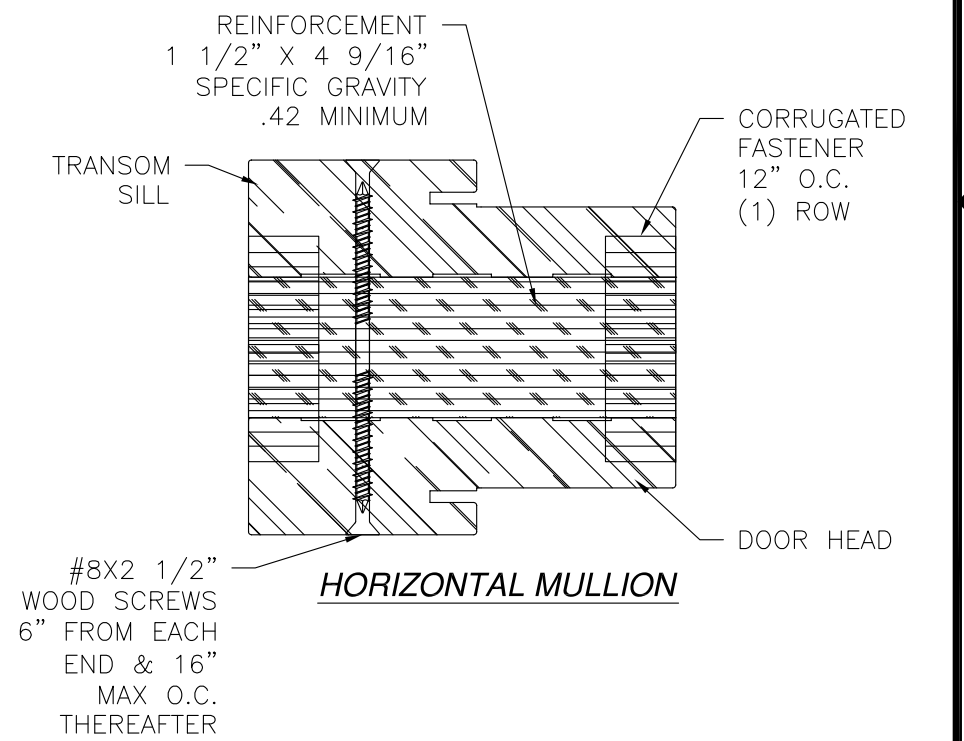
**SINGLE W/ STD SIDELITES AND TRANSOM**  
EXTERIOR VIEW



**SINGLE W/ DIRECT SET SIDELITES AND TRANSOM**  
EXTERIOR VIEW



**VERTICAL MULLION**



**HORIZONTAL MULLION**

DESIGN PRESSURE RATING	IMPACT RATING
±55.0PSF	NONE

- NOTES:  
 1. MAXIMUM ALLOWED BUILDUP TO BE 3" AT EACH VERTICAL MULLION.  
 2. IF SIDELITE WIDTH IS 16" OR LESS NO VERTICAL MULLION IS REQUIRED

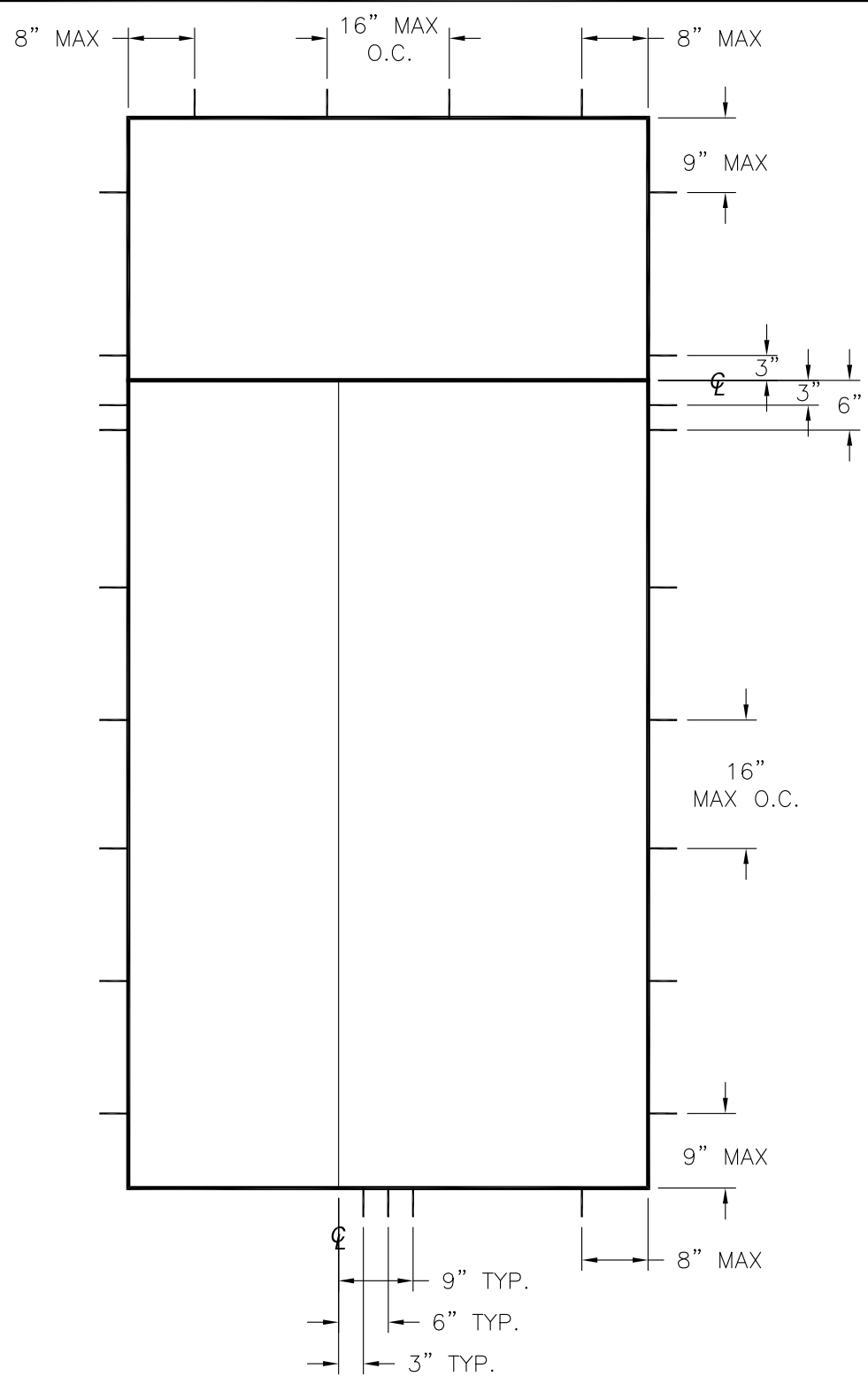
PROVIA DOOR, INC.  
 2150 STATE ROUTE 39  
 SUGARCREEK, OH 44681

STEEL/FIBERGLASS IS GLAZED SINGLE DOOR NI  
 W/SIDELITES & TRANSOM COMPOSITE/WOOD FRAME  
 ELEVATIONS

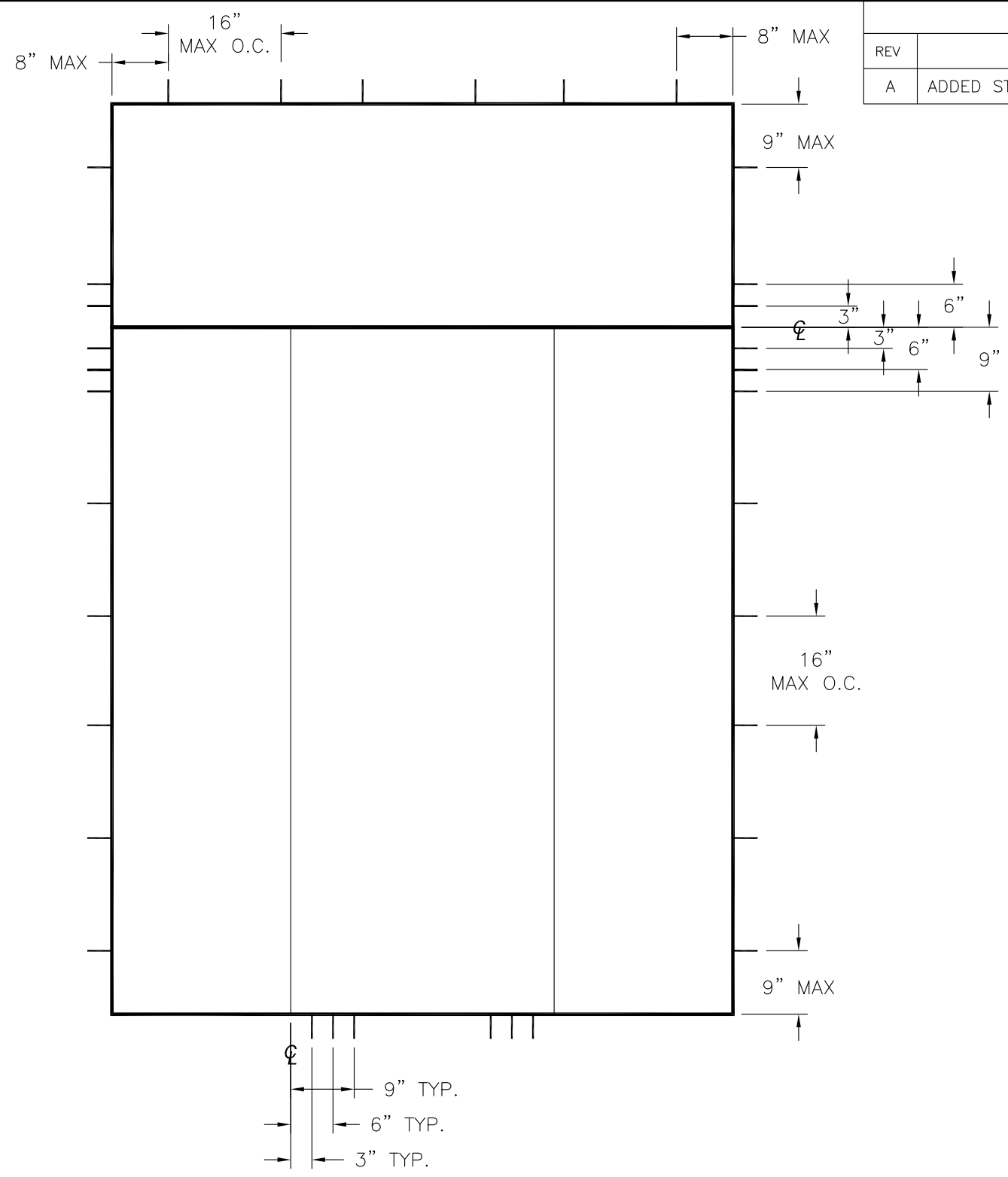
DRAWN: V.L.	DWG NO. 08-02399	REV A
SCALE NTS	DATE 07/21/14	SHEET 3 OF 10

SIGNED: 01/07/2016

Luis R. Lomas P.E.  
 TX No.: 101889



SINGLE W/SIDELITE AND TRANSOM



SINGLE W/SIDELITES AND TRANSOM

REVISIONS			
REV	DESCRIPTION	DATE	APPROVED
A	ADDED STRIKE AND GLASS DETAILS	01/06/16	R.L.

HARDWARE SCHEDULE	
A.	F-SERIES LOCK ASSEMBLY DOOR KNOB BY SCHLAGE.
B.	B-SERIES DEADBOLT ASSEMBLY BY SCHLAGE.
C.	F-SERIES DEADBOLT ASSEMBLY BY SCHLAGE.
D.	RESIDENTIAL GRADE DOOR HANDLE ASSEMBLY BY EMTEK (ALTERNATE).
E.	MULTI-POINT LOCK HANDLE ASSEMBLY BY TRILENNIUM (ALTERNATE).
F.	(3) 4" x 4" BALL BEARING HINGES BY PENROD.
G.	(3) 4" x 4" SPRING BOMMER HINGES BY PENROD. (ALTERNATE)

**PROVIA DOOR, INC.**  
2150 STATE ROUTE 39  
SUGARCREEK, OH 44681

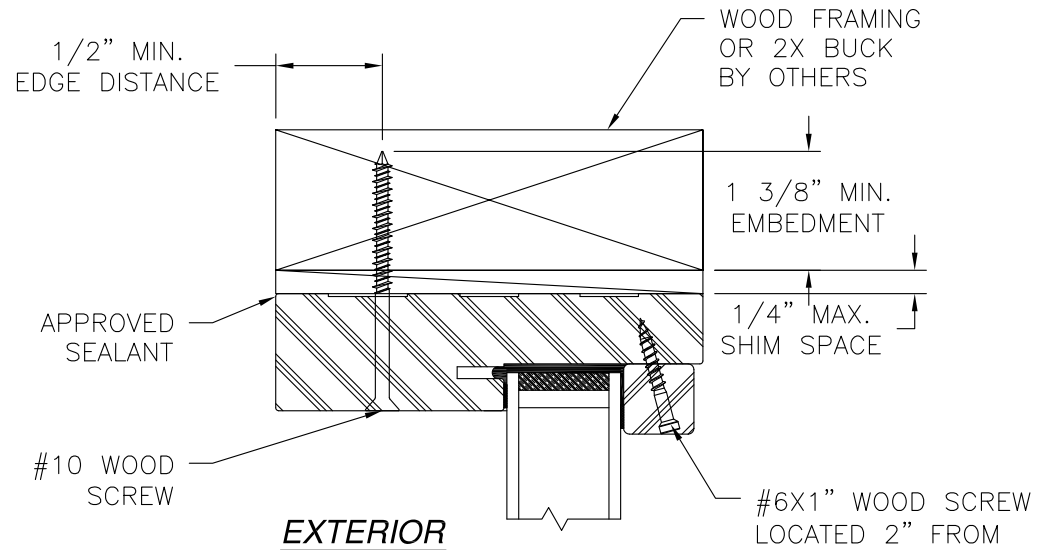
STEEL/FIBERGLASS IS GLAZED SINGLE DOOR NI  
W/SIDELITES & TRANSOM COMPOSITE/WOOD FRAME  
ANCHORING LAYOUTS

DRAWN: V.L.	DWG NO. 08-02399	REV A
SCALE NTS	DATE 07/21/14	SHEET 4 OF 10

SIGNED: 01/07/2016

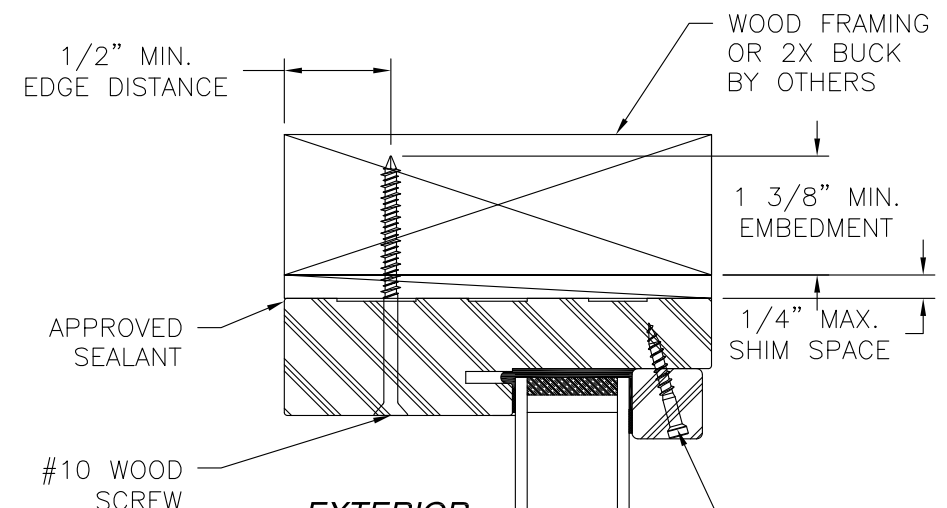
Luis R. Lomas P.E.  
TX No.: 101889

REVISIONS			
REV	DESCRIPTION	DATE	APPROVED
A	ADDED STRIKE AND GLASS DETAILS	01/06/16	R.L.



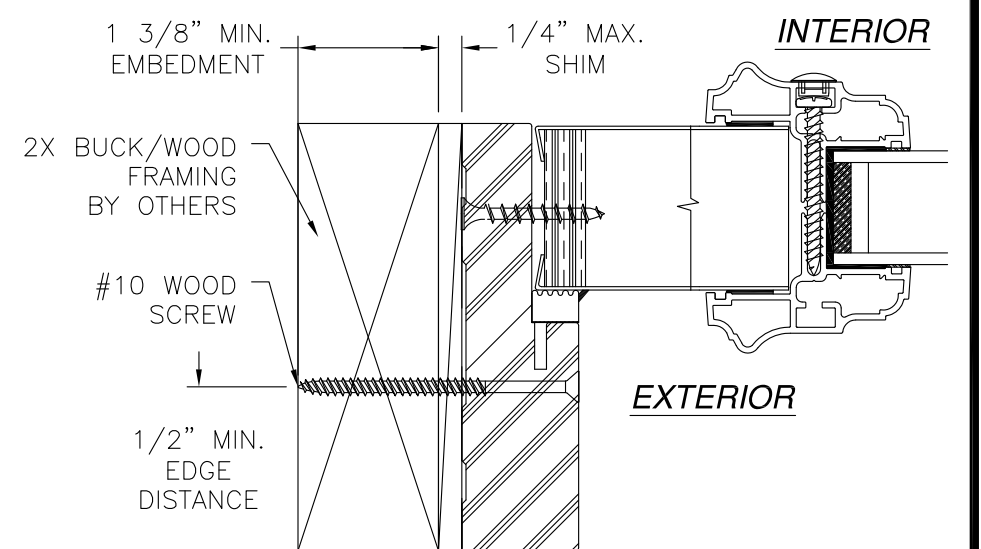
**EXTERIOR**

**INTERIOR**



**EXTERIOR**

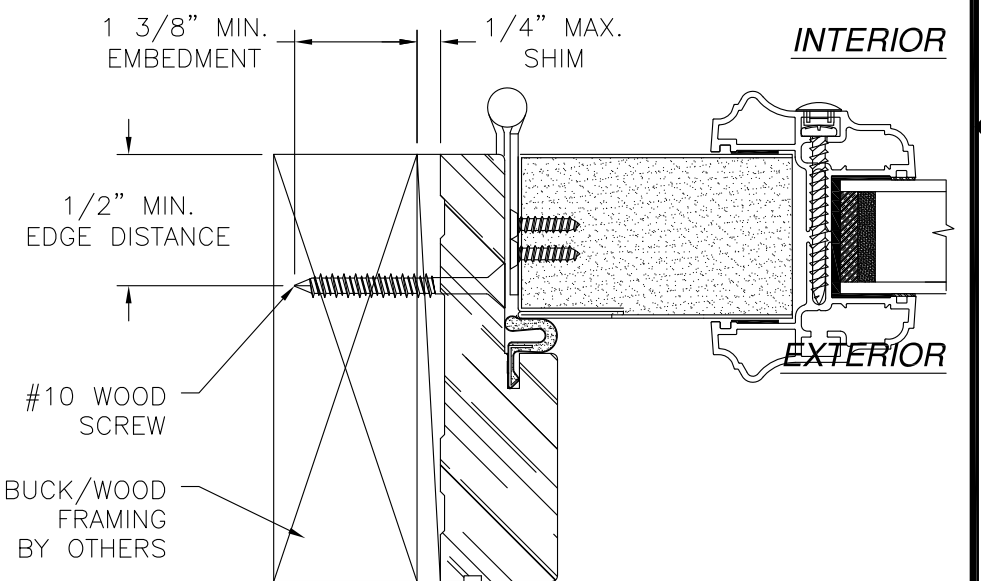
**INTERIOR**



**INTERIOR**

**EXTERIOR**

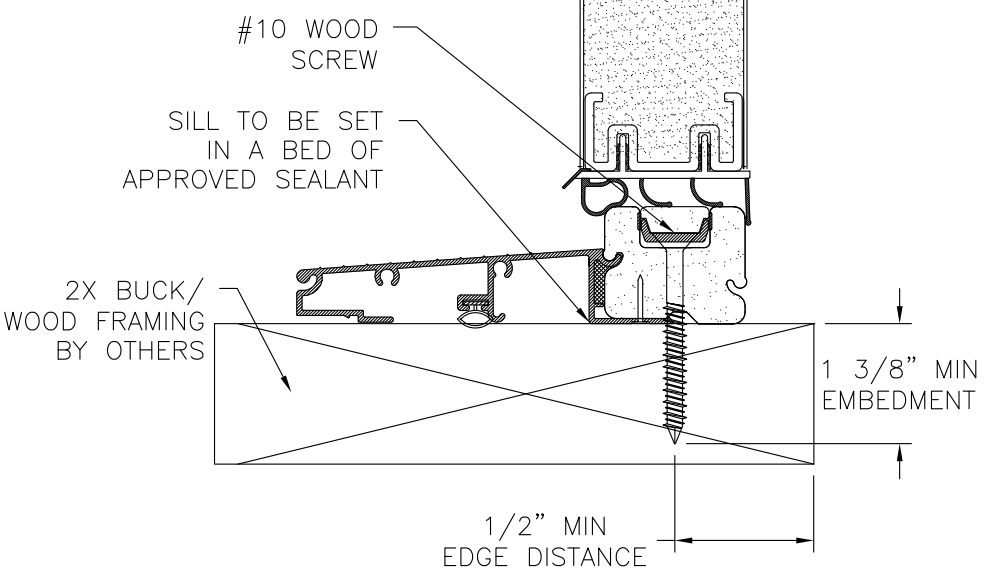
**HORIZONTAL CROSS SECTION**  
SIDELITE INSTALLATION 2X BUCK/WOOD FRAMING  
STANDARD SIDELITE SHOWN  
DIRECT SET SIDELITE SIMILAR



**INTERIOR**

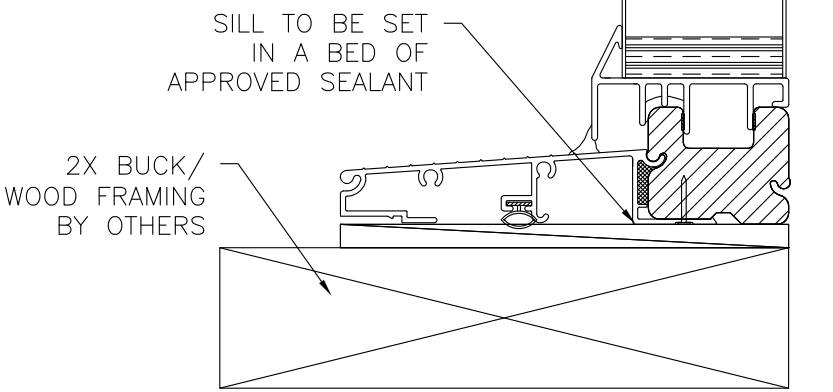
**EXTERIOR**

**HORIZONTAL CROSS SECTION**  
DOOR INSTALLATION - 2X BUCK/WOOD FRAMING  
SIGNED: 01/07/2016



**VERTICAL CROSS SECTION**

DOOR AND TRANSOM INSTALLATION - 2X BUCK/WOOD FRAMING  
TRANSOM HEAD SHOWN  
TRANSOM JAMB SIMILAR



**VERTICAL CROSS SECTION**

SIDELITE AND TRANSOM INSTALLATION 2X BUCK/WOOD FRAMING  
STANDARD SIDELITE SHOWN  
DIRECT SET SIDELITE SIMILAR  
TRANSOM HEAD SHOWN  
TRANSOM JAMB SIMILAR

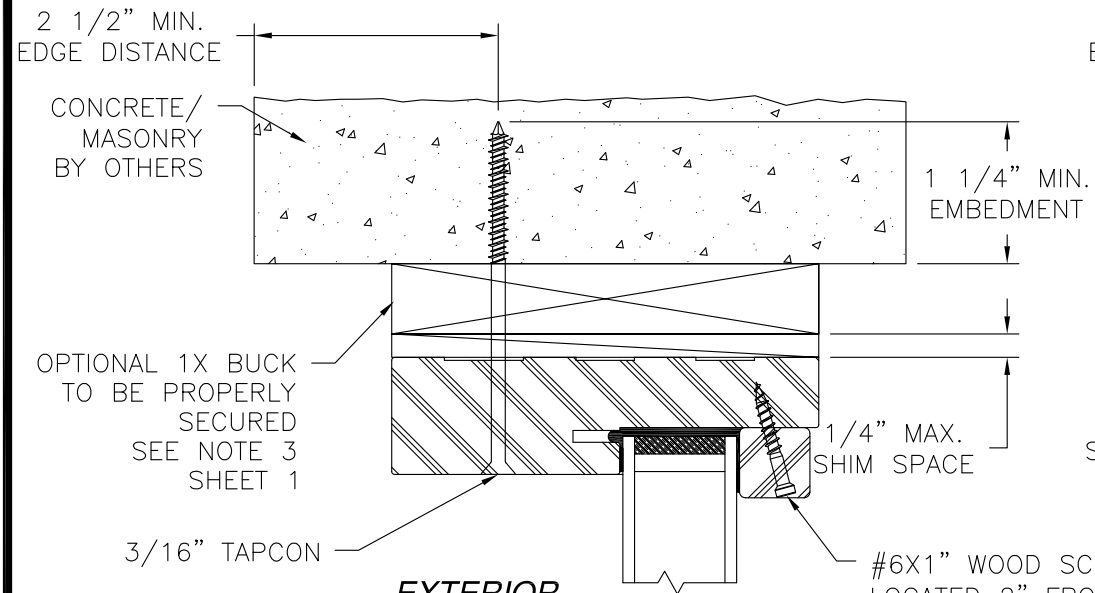
**NOTES:**  
1. INTERIOR AND EXTERIOR FINISHES, BY OTHERS, NOT SHOWN FOR CLARITY.  
2. PERIMETER AND JOINT SEALANT BY OTHERS TO BE DESIGNED IN ACCORDANCE WITH ASTM E2112

**PROVIA DOOR, INC.**  
2150 STATE ROUTE 39  
SUGARCREEK, OH 44681

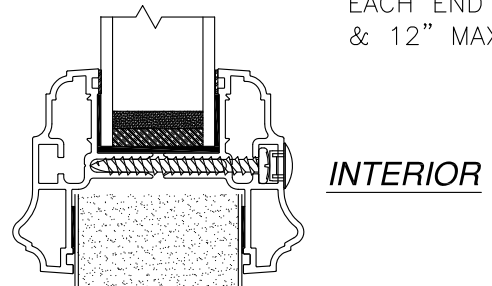
STEEL/FIBERGLASS IS GLAZED SINGLE DOOR NI W/SIDELITES & TRANSOM COMPOSITE/WOOD FRAME INSTALLATION DETAILS

DRAWN: V.L.	DWG NO. 08-02399	REV A
SCALE NTS	DATE 07/21/14	SHEET 5 OF 10

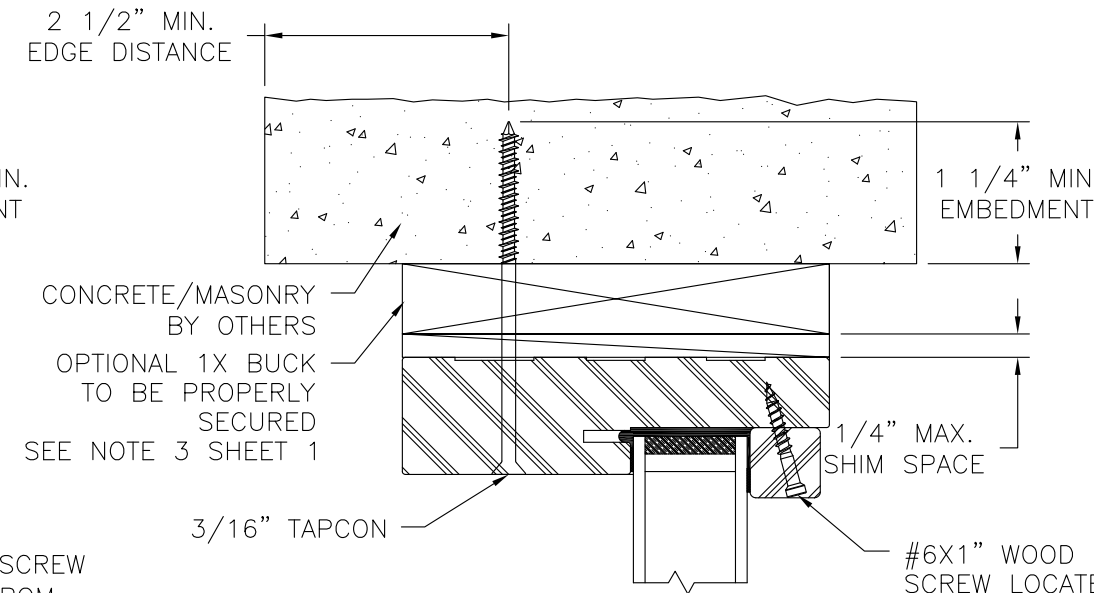
Luis R. Lomas P.E.  
TX No.: 101889



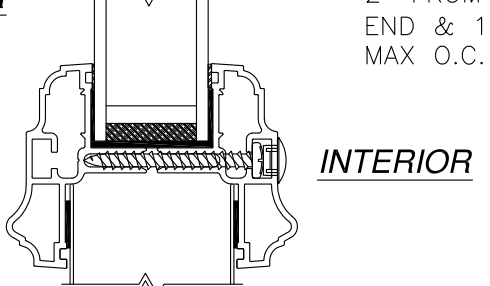
**EXTERIOR**



**INTERIOR**

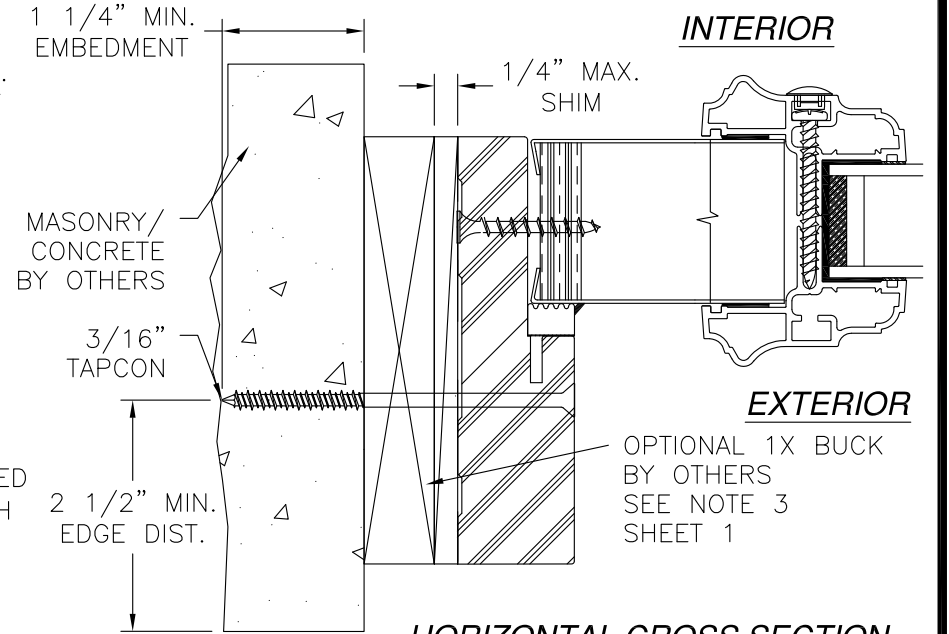


**EXTERIOR**



**INTERIOR**

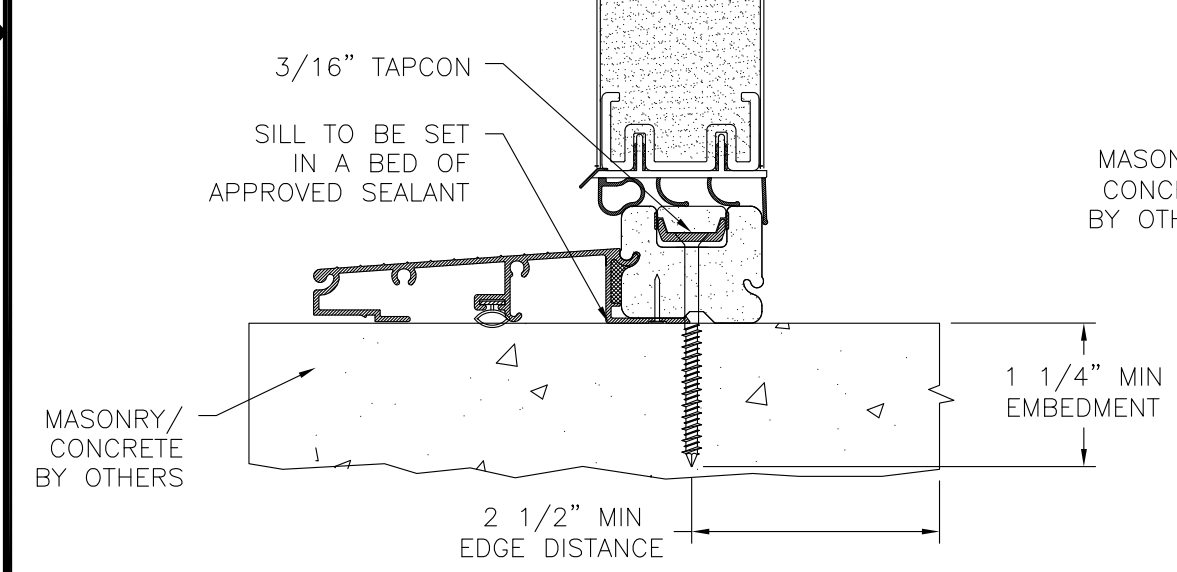
REVISIONS			
REV	DESCRIPTION	DATE	APPROVED
A	ADDED STRIKE AND GLASS DETAILS	01/06/16	R.L.



**INTERIOR**

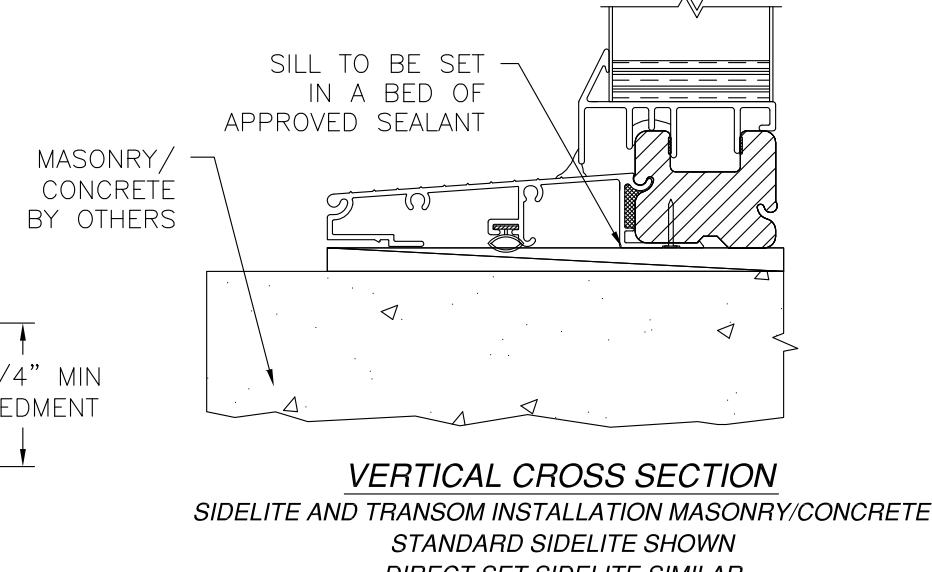
**EXTERIOR**

**HORIZONTAL CROSS SECTION  
SIDELITE INSTALLATION CONCRETE/MASONRY  
STANDARD SIDELITE SHOWN  
DIRECT SET SIDELITE SIMILAR**



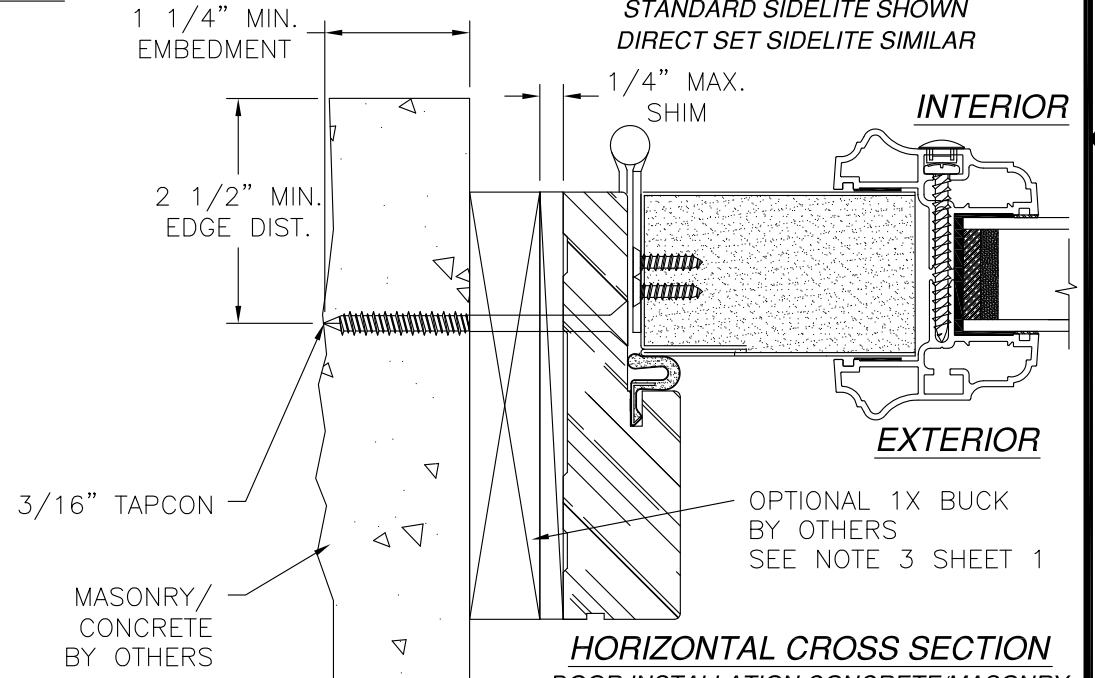
**VERTICAL CROSS SECTION**

**DOOR AND TRANSOM INSTALLATION MASONRY/CONCRETE  
TRANSOM HEAD SHOWN  
TRANSOM JAMB SIMILAR**



**VERTICAL CROSS SECTION**

**SIDELITE AND TRANSOM INSTALLATION MASONRY/CONCRETE  
STANDARD SIDELITE SHOWN  
DIRECT SET SIDELITE SIMILAR  
TRANSOM HEAD SHOWN  
TRANSOM JAMB SIMILAR**



**INTERIOR**

**EXTERIOR**

**HORIZONTAL CROSS SECTION  
DOOR INSTALLATION CONCRETE/MASONRY  
SIGNED: 01/07/2016**

- NOTES:**
1. INTERIOR AND EXTERIOR FINISHES, BY OTHERS, NOT SHOWN FOR CLARITY.
  2. PERIMETER AND JOINT SEALANT BY OTHERS TO BE DESIGNED IN ACCORDANCE WITH ASTM E2112

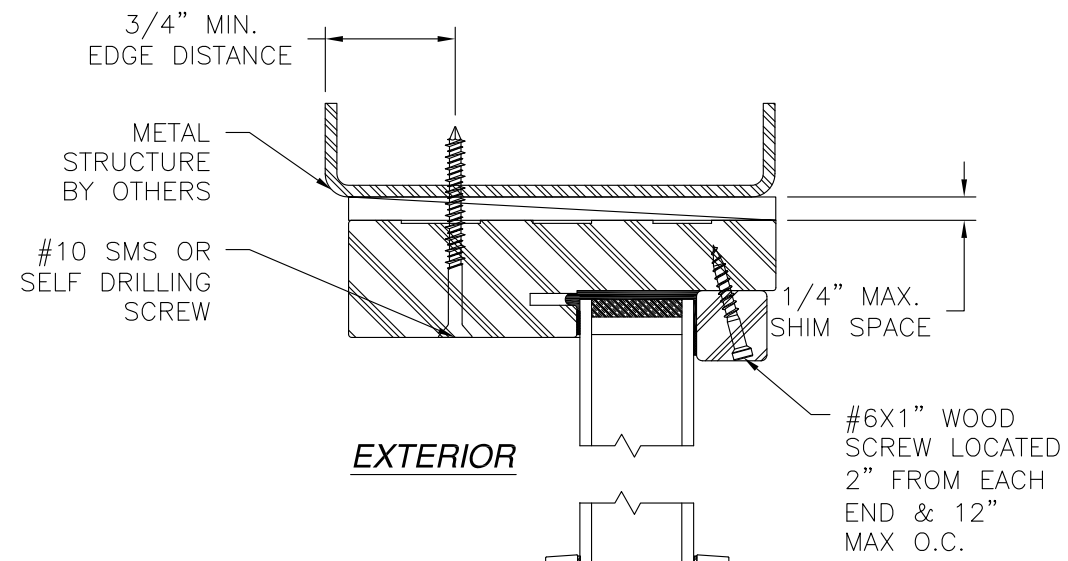
**PROVIA DOOR, INC.**  
2150 STATE ROUTE 39  
SUGARCREEK, OH 44681

STEEL/FIBERGLASS IS GLAZED SINGLE DOOR NI  
W/SIDELITES & TRANSOM COMPOSITE/WOOD FRAME  
INSTALLATION DETAILS

DRAWN: V.L.	DWG NO. 08-02399	REV A
SCALE NTS	DATE 07/21/14	SHEET 6 OF 10

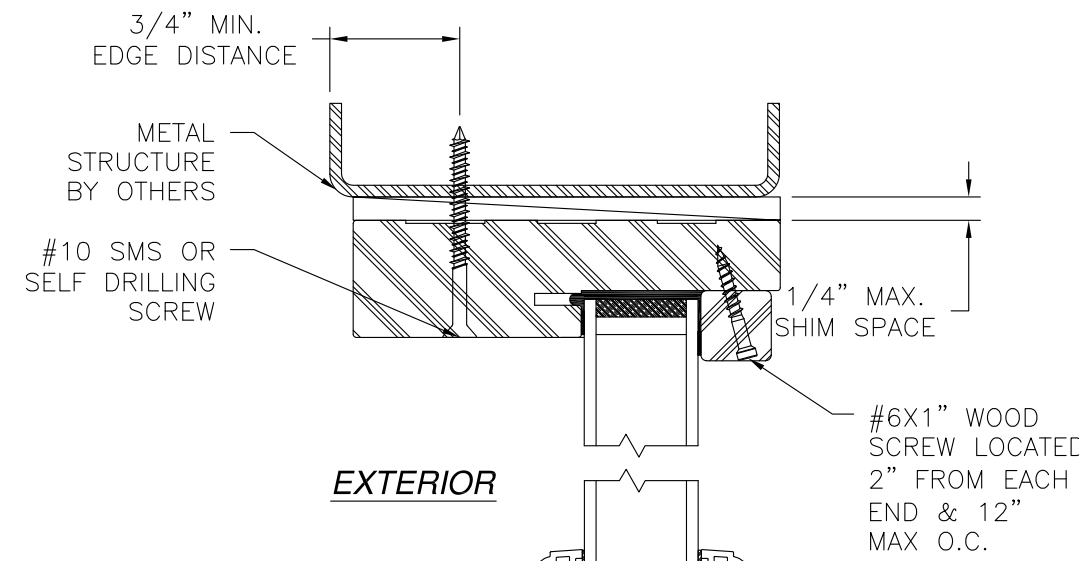
Luis R. Lomas P.E.  
TX No.: 101889

REVISIONS			
REV	DESCRIPTION	DATE	APPROVED
A	ADDED STRIKE AND GLASS DETAILS	01/06/16	R.L.



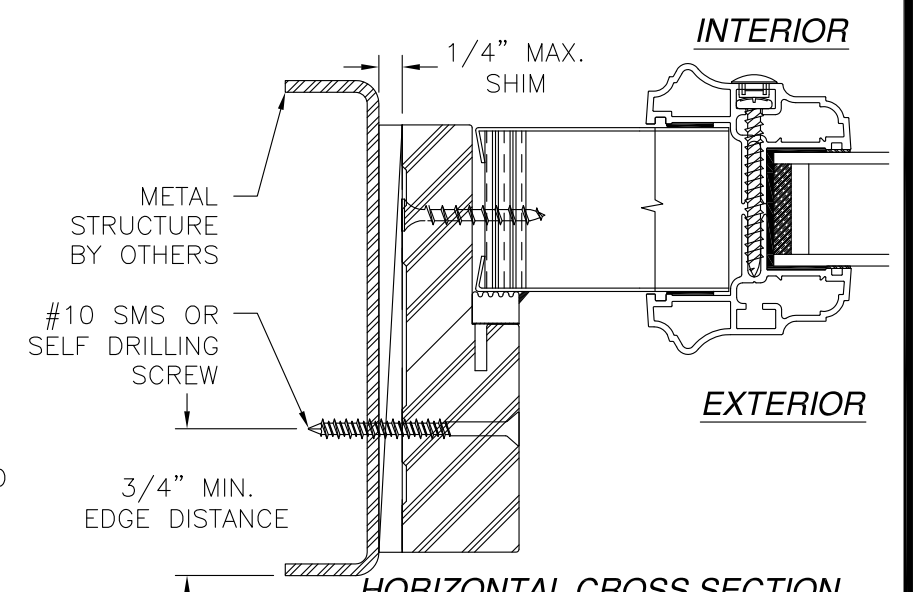
**EXTERIOR**

#6X1" WOOD SCREW LOCATED 2" FROM EACH END & 12" MAX O.C.



**EXTERIOR**

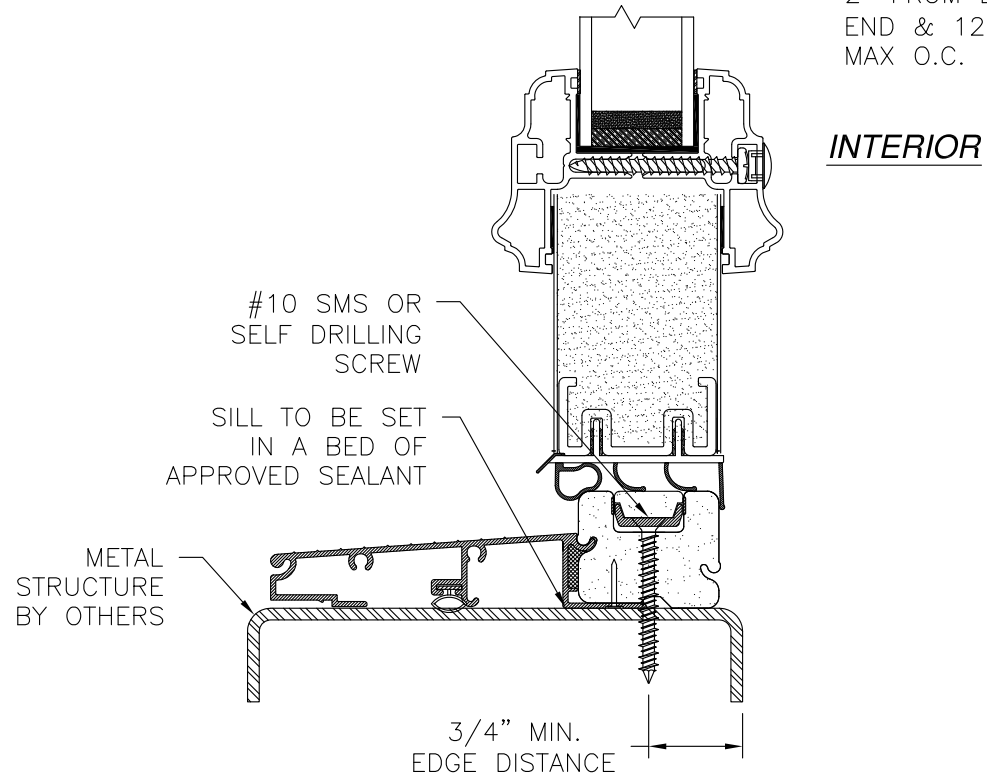
#6X1" WOOD SCREW LOCATED 2" FROM EACH END & 12" MAX O.C.



**INTERIOR**

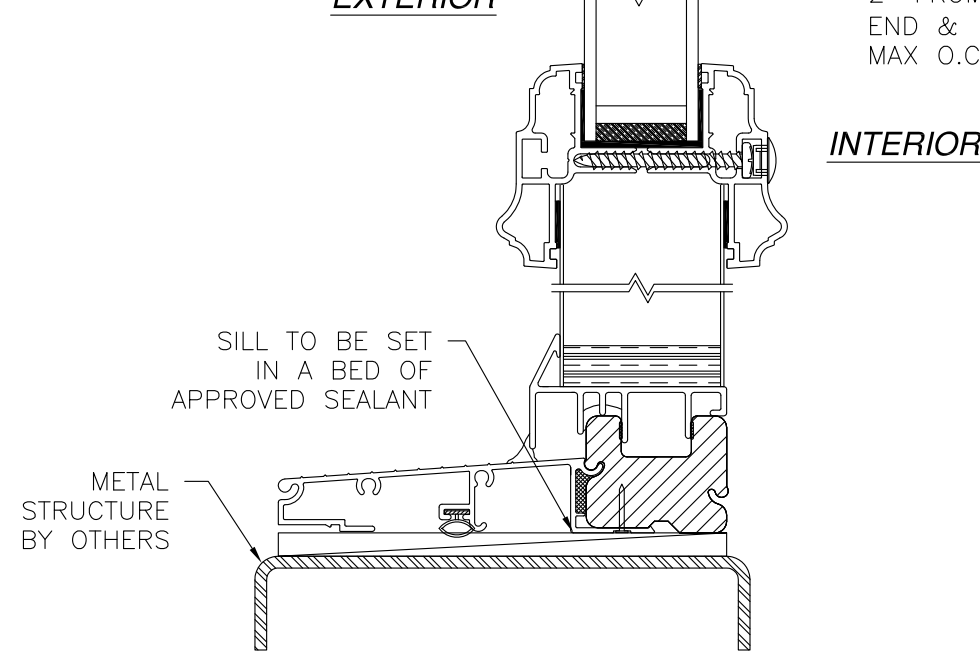
**EXTERIOR**

**HORIZONTAL CROSS SECTION**  
SIDELITE INSTALLATION METAL STRUCTURE  
STANDARD SIDELITE SHOWN  
DIRECT SET SIDELITE SIMILAR



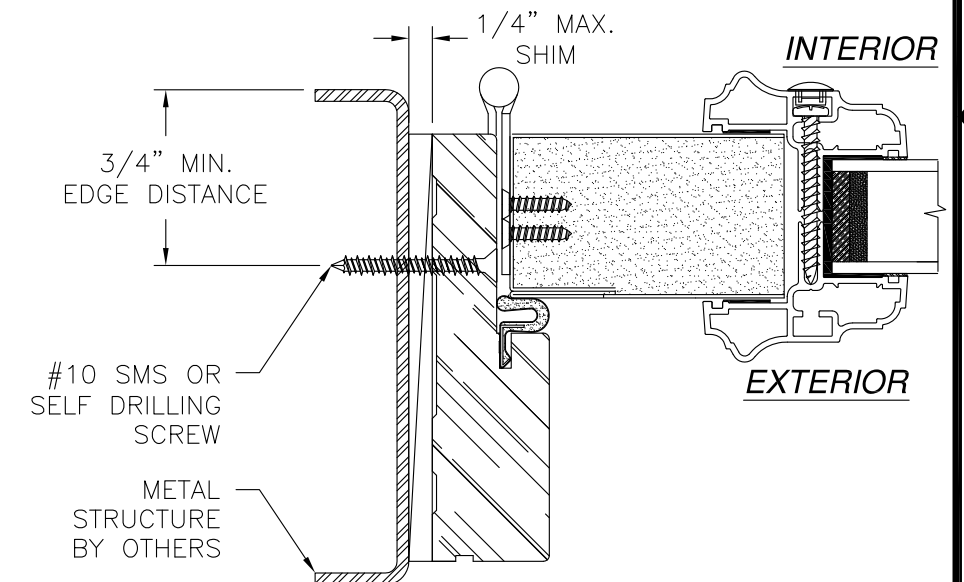
**VERTICAL CROSS SECTION**

DOOR AND TRANSOM INSTALLATION METAL STRUCTURE  
TRANSOM HEAD SHOWN  
TRANSOM JAMB SIMILAR



**VERTICAL CROSS SECTION**

SIDELITE AND TRANSOM INSTALLATION METAL STRUCTURE  
STANDARD SIDELITE SHOWN  
DIRECT SET SIDELITE SIMILAR  
TRANSOM HEAD SHOWN  
TRANSOM JAMB SIMILAR



**INTERIOR**

**EXTERIOR**

**HORIZONTAL CROSS SECTION**  
DOOR INSTALLATION METAL STRUCTURE

SIGNED: 01/07/2016

**NOTES:**  
1. INTERIOR AND EXTERIOR FINISHES, BY OTHERS, NOT SHOWN FOR CLARITY.  
2. PERIMETER AND JOINT SEALANT BY OTHERS TO BE DESIGNED IN ACCORDANCE WITH ASTM E2112

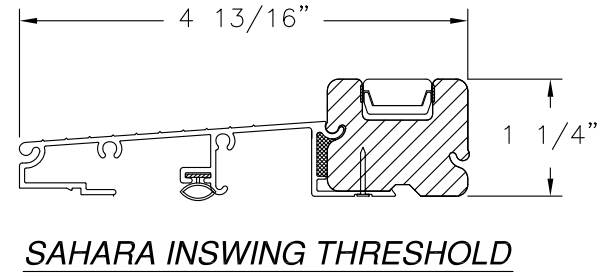
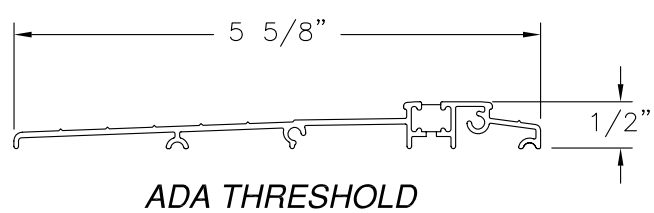
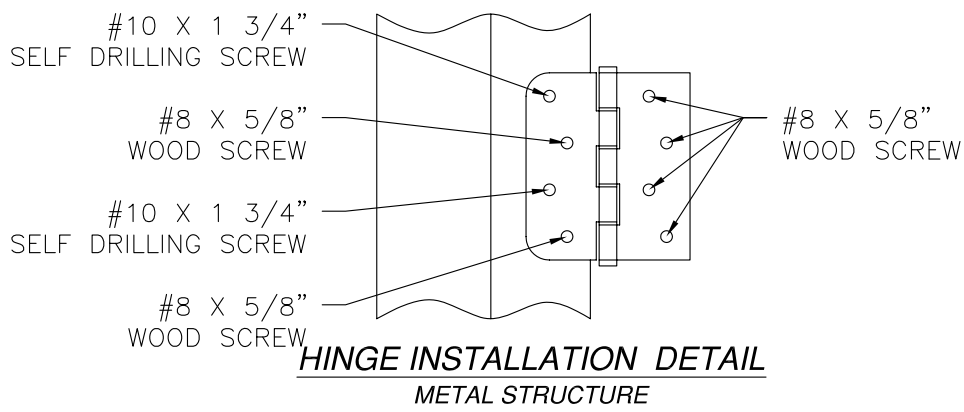
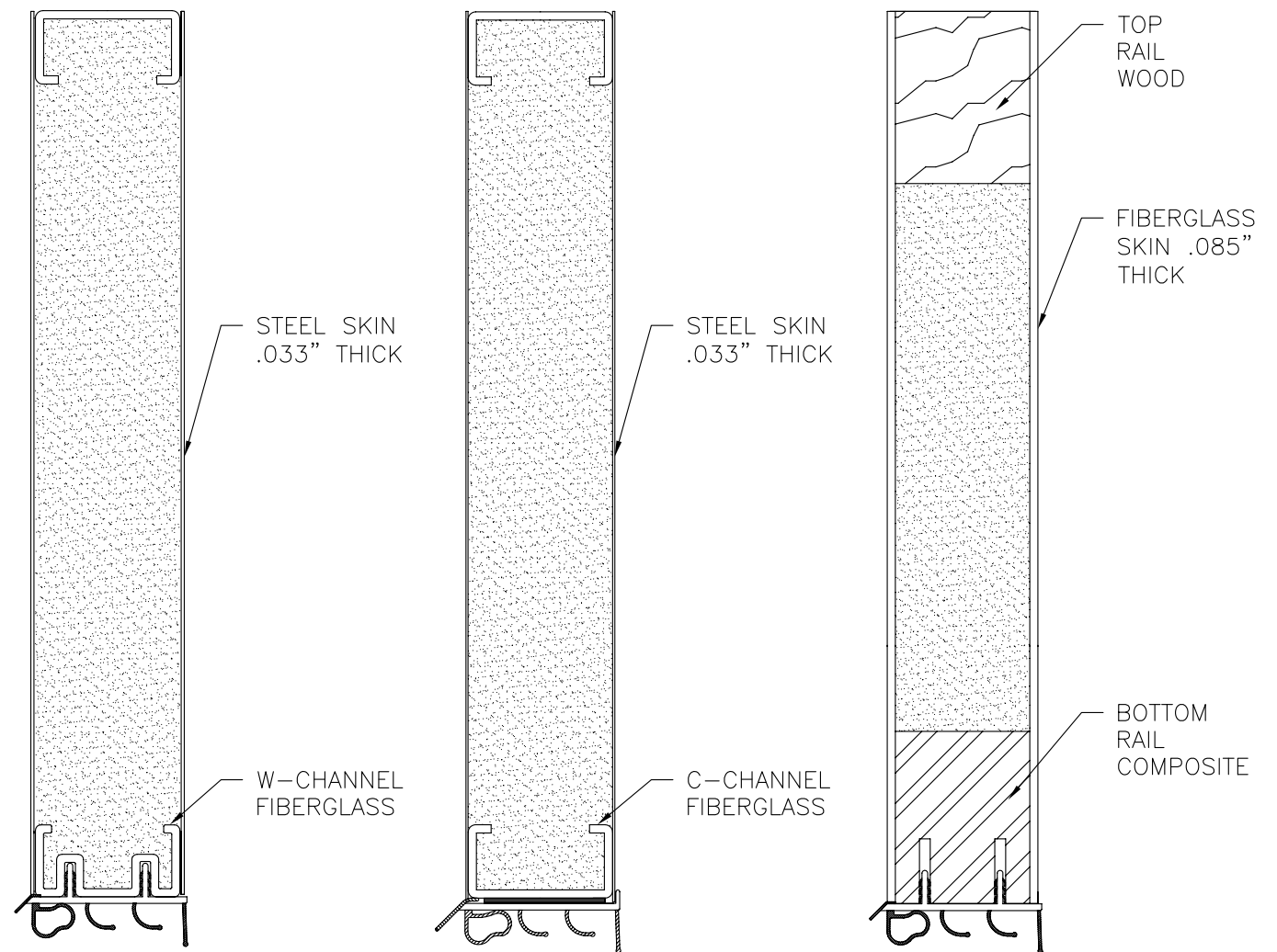
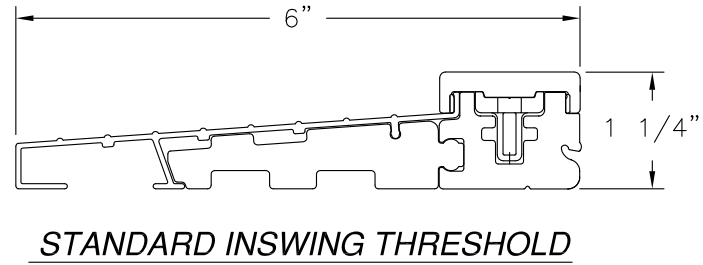
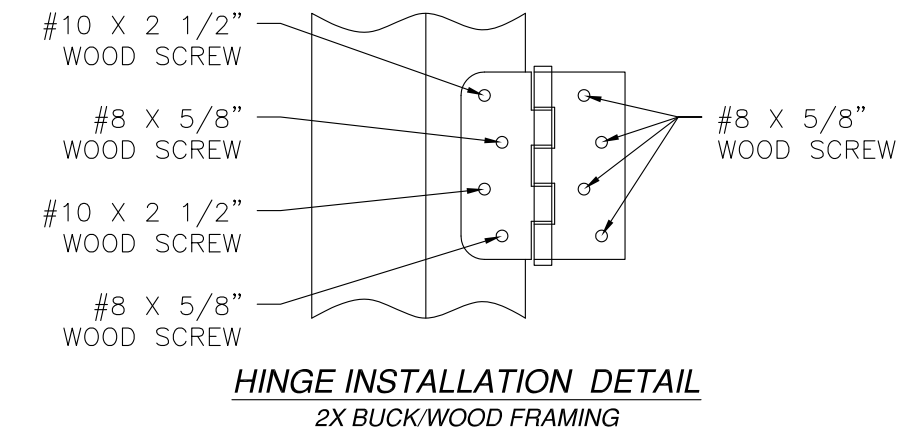
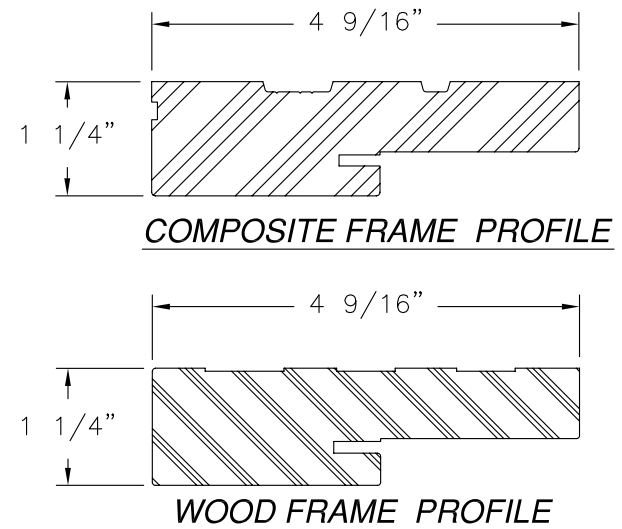
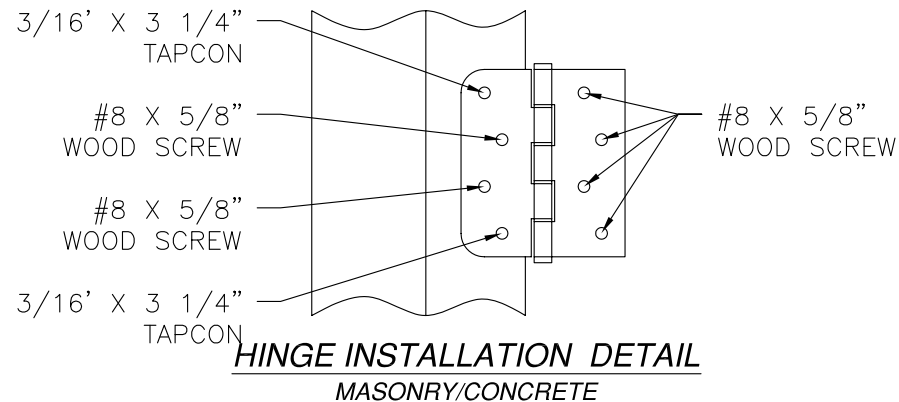
PROVIA DOOR, INC.  
2150 STATE ROUTE 39  
SUGARCREEK, OH 44681

STEEL/FIBERGLASS IS GLAZED SINGLE DOOR NI  
W/SIDELITES & TRANSOM COMPOSITE/WOOD FRAME  
INSTALLATION DETAILS

DRAWN: V.L.	DWG NO. 08-02399	REV A
SCALE NTS	DATE 07/21/14	SHEET 7 OF 10

Luis R. Lomas P.E.  
TX No.: 101889

REVISIONS			
REV	DESCRIPTION	DATE	APPROVED
A	ADDED STRIKE AND GLASS DETAILS	01/06/16	R.L.



PROVIA DOOR, INC.  
2150 STATE ROUTE 39  
SUGARCREEK, OH 44681

STEEL/FIBERGLASS IS GLAZED SINGLE DOOR NI  
W/SIDELITES & TRANSOM COMPOSITE/WOOD FRAME  
INSTALLATION DETAILS & COMPONENTS

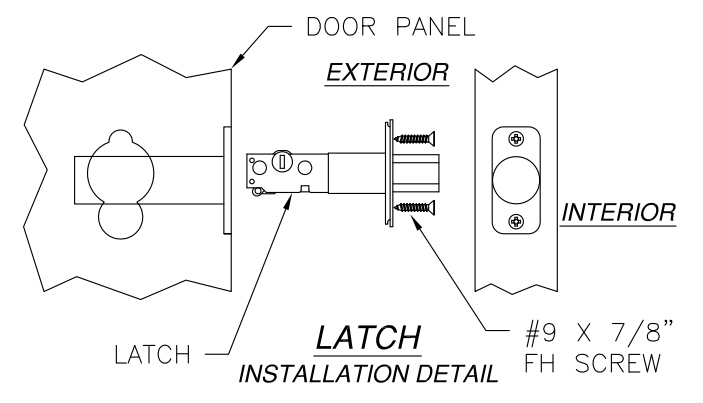
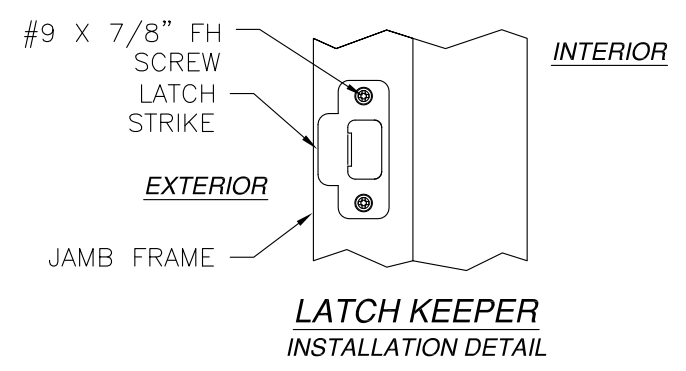
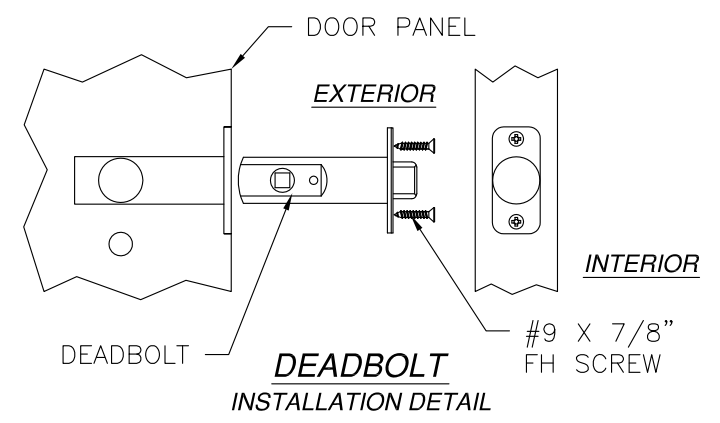
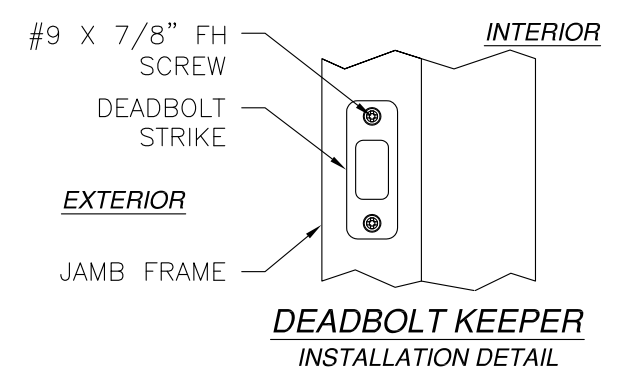
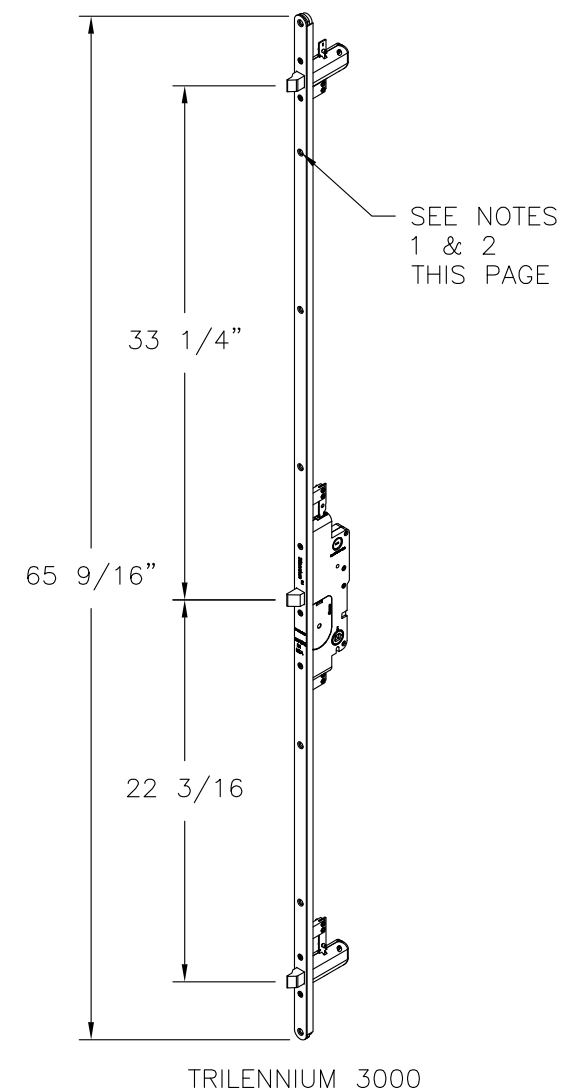
DRAWN: V.L.	DWG NO. 08-02399	REV A
SCALE NTS	DATE 07/21/14	SHEET 8 OF 10

SIGNED: 01/07/2016

Luis R. Lomas P.E.  
TX No.: 101889



REVISIONS			
REV	DESCRIPTION	DATE	APPROVED
A	ADDED STRIKE AND GLASS DETAILS	01/06/16	R.L.



- NOTES:
- MULTIPOINT LOCK TO BE ATTACHED TO DOOR STILE USING (7) #10 X 1" FH WOOD SCREWS LOCATED IN PRE-DRILLED HOLES.
  - MULTIPOINT LOCK STRIKE PLATES TO BE ATTACHED TO JAMBS OR DOOR PANELS USING (2) #10 X 1" FH WOOD SCREWS & (1) #10 X 2 1/2" FH WOOD SCREW AT EACH LOCK LOCATION.

PROVIA DOOR, INC.  
2150 STATE ROUTE 39  
SUGARCREEK, OH 44681

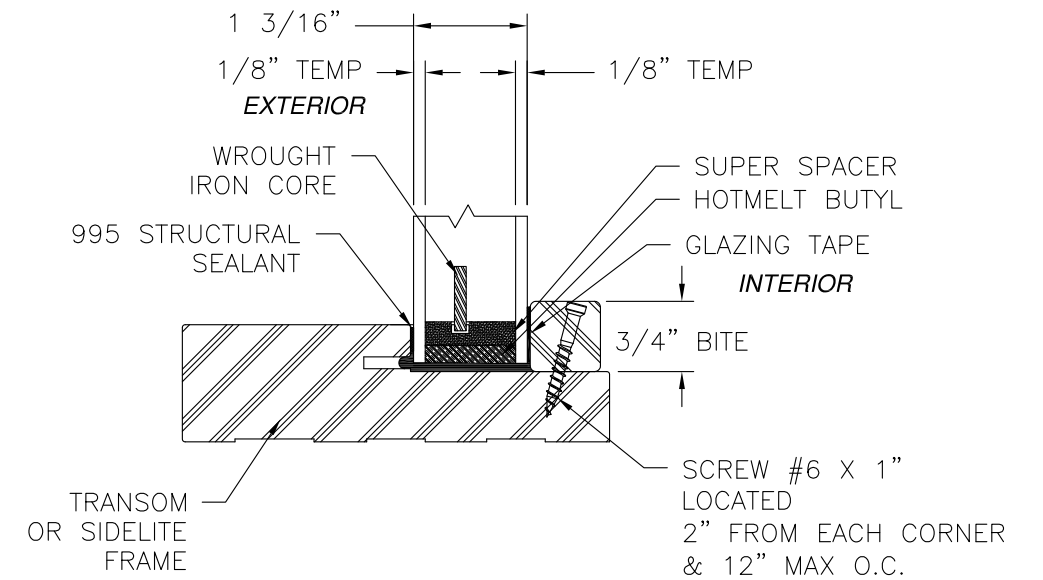
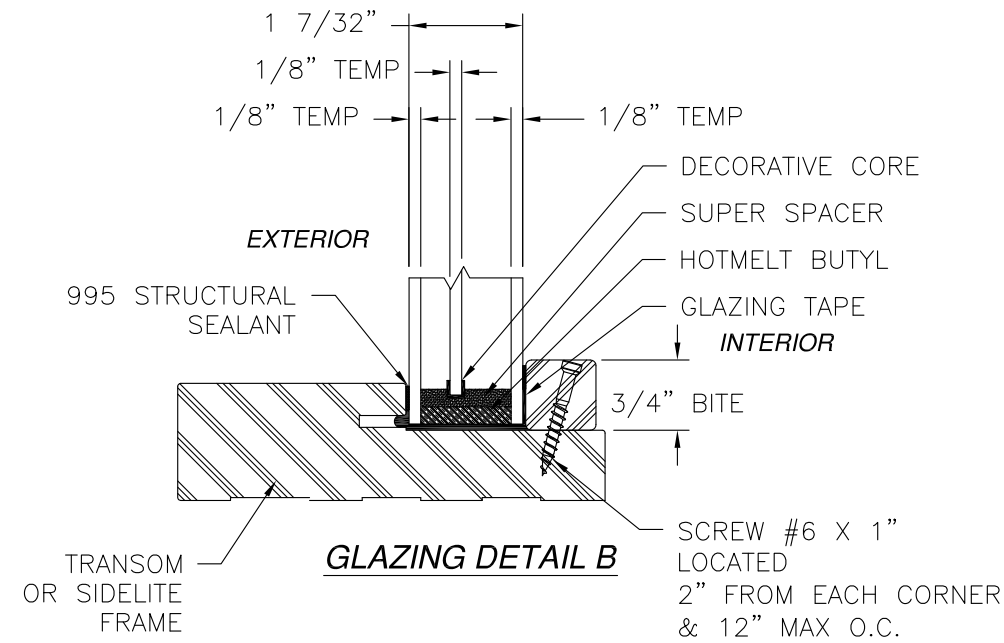
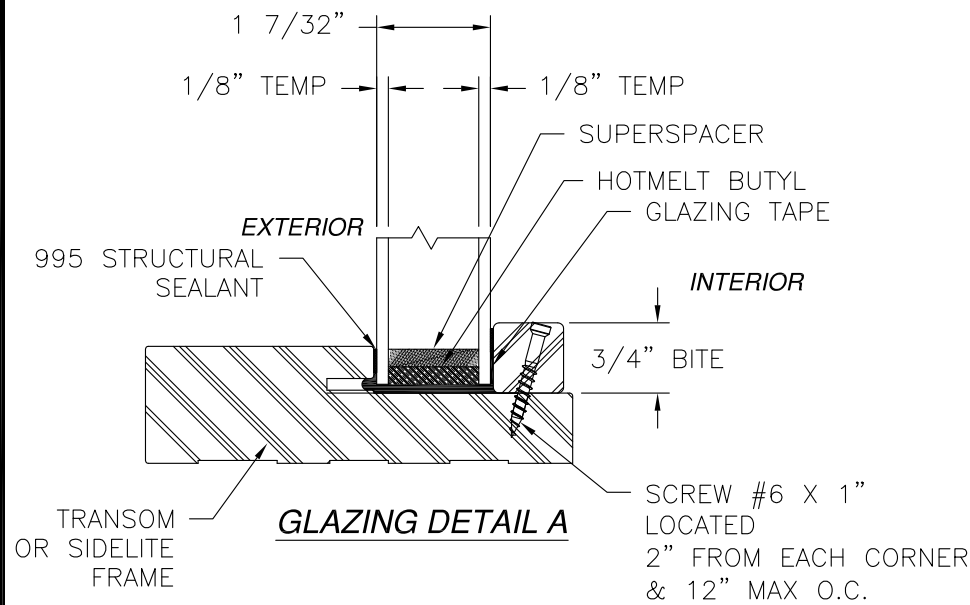
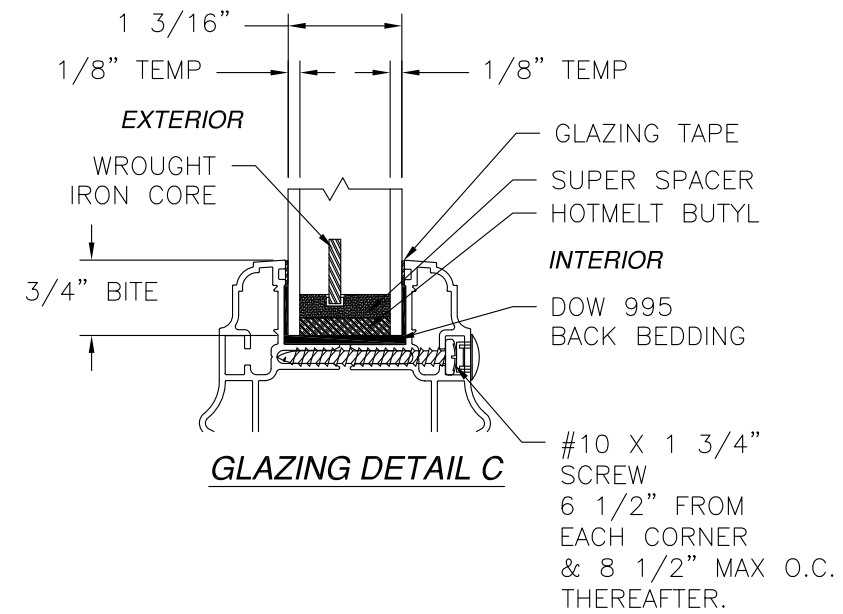
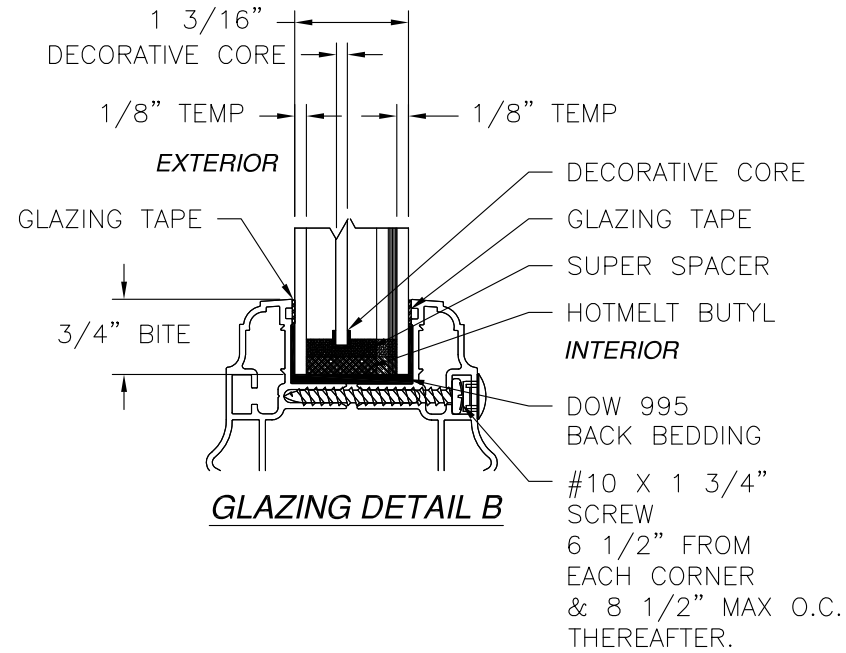
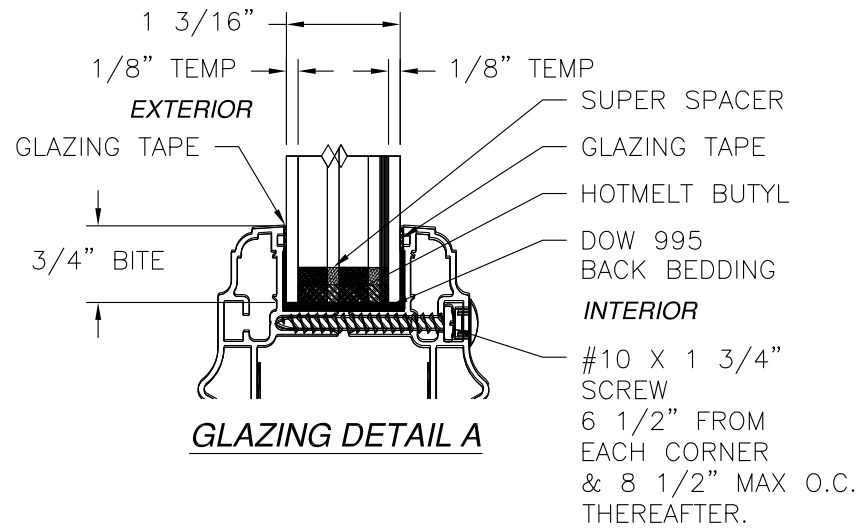
STEEL/FIBERGLASS IS GLAZED SINGLE DOOR NI W/SIDELITES & TRANSOM COMPOSITE/WOOD FRAME  
INSTALLATION DETAILS & COMPONENTS

DRAWN: V.L.	DWG NO. 08-02399	REV A
SCALE NTS	DATE 07/21/14	SHEET 9 OF 10

SIGNED: 01/07/2016

Luis R. Lomas P.E.  
TX No.: 101889

REVISIONS			
REV	DESCRIPTION	DATE	APPROVED
A	ADDED STRIKE AND GLASS DETAILS	01/06/16	R.L.



SIGNED: 01/07/2016

PROVIA DOOR, INC.  
2150 STATE ROUTE 39  
SUGARCREEK, OH 44681

STEEL/FIBERGLASS IS GLAZED SINGLE DOOR NI  
W/SIDELITES & TRANSOM COMPOSITE/WOOD FRAME  
GLASS DETAILS

DRAWN: V.L.	DWG NO. 08-02399	REV A
SCALE NTS	DATE 07/21/14	SHEET 10 OF 10



Luis R. Lomas P.E.  
TX No.: 101889