

Documents Prepared By: Lyndon F. Schmidt, P.E.  
TEXAS P.E. #104123

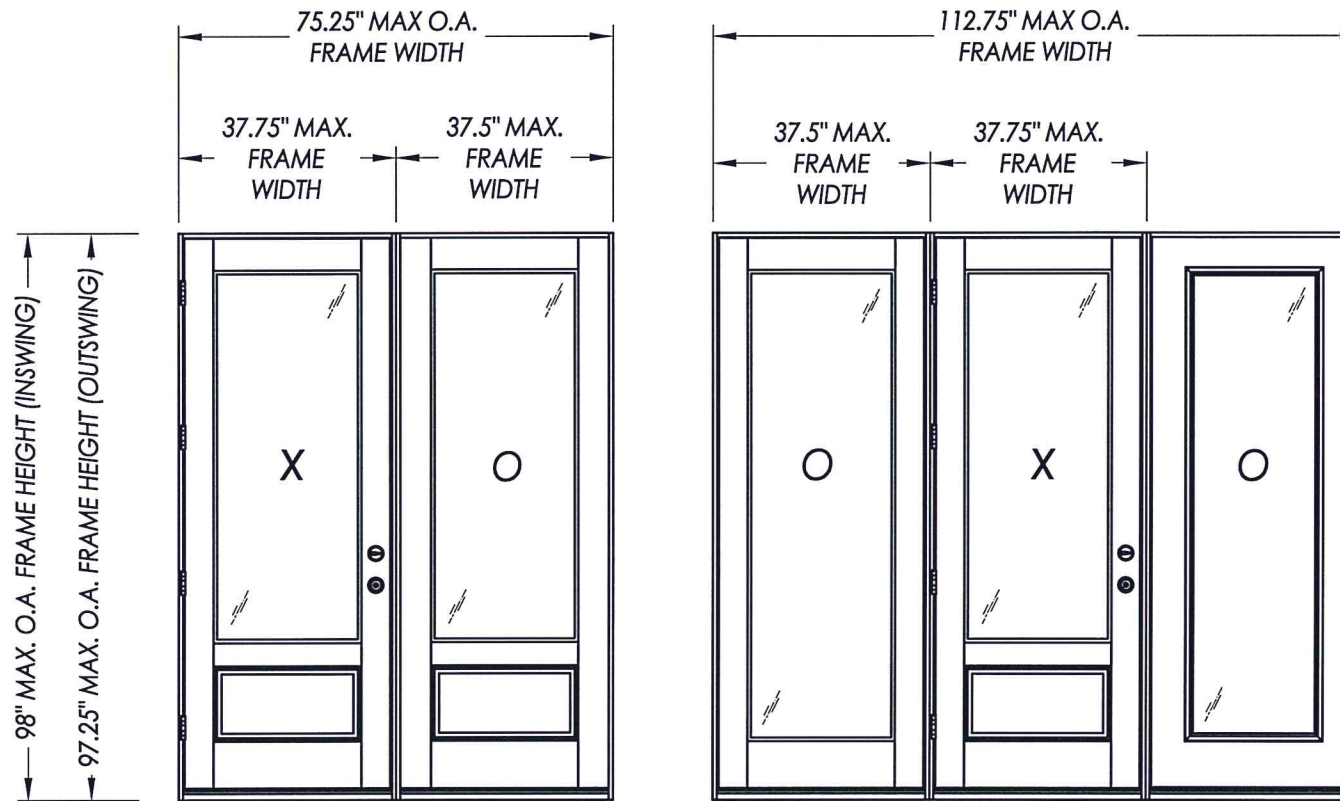
**RW** BUILDING CONSULTANTS, INC.  
P.O. Box 230 Valrico FL 33595  
Phone No.: 813.659.9197

TEXAS BOARD OF PROFESSIONAL ENGINEERS  
CERTIFICATE OF REGISTRATION # F-11852

### FLUSH GLAZED FIBERGLASS DOOR

#### INSWING/OUTSWING

#### "NON-IMPACT"



#### EVALUATED FOR USE IN THE STATE OF TEXAS

The Fiberglass Door described herein complies with the 2006 International Residential Code (IRC), Sections R301 & R613 and the 2006 International Building Code (IBC), Sections 1405.12, 1609, 1714.5, 2403 and 2404 (including Texas revisions) subject to the following conditions:

1. Anchors shall be as listed and spaced as shown in the details. Anchor embedment to base material shall be beyond wall dressing or stucco.
2. When used in areas requiring wind-borne debris protection this product is required to be protected with an impact resistant covering that complies with Section R301.2.1.2 of the IRC and Section 1609.1.2 of the IBC.
3. Allowable design pressure requirements must be equal to or less than the design pressure rating shown in the design pressure chart, sheet 1 of this drawing.
4. Conditions not covered by this drawing are subject to further engineering analysis.

#### TABLE OF CONTENTS

SHEET #	DESCRIPTION
1	Table of contents, design pressure and general notes
2	Door/Sidelite panel & glazing details
3	Sidelite panel & glazing details
4	Elevations
5	Horizontal cross sections
6	Vertical cross sections
7	Frame anchoring & hardware details
8	Bill of materials and components

CONFIGURATION	MAX FRAME DIMENSION	DESIGN PRESSURE (PSF) INSWING		DESIGN PRESSURE (PSF) OUTSWING	
		POSITIVE	NEGATIVE	POSITIVE	NEGATIVE
OX/XO	75.25" X 98.0"	+30.0	-40.0	+30.0	-30.0
OXO	112.75" X 98.0"	+30.0	-40.0	+30.0	-30.0

PRODUCT: THERMA-TRU FLUSH GLAZED DOOR

PART OR ASSEMBLY: TYPICAL ELEVATION, DESIGN PRESSURES & GENERAL NOTES

NO.	DATE	BY	REVISIONS

DATE: 7/28/15

SCALE: N.T.S.

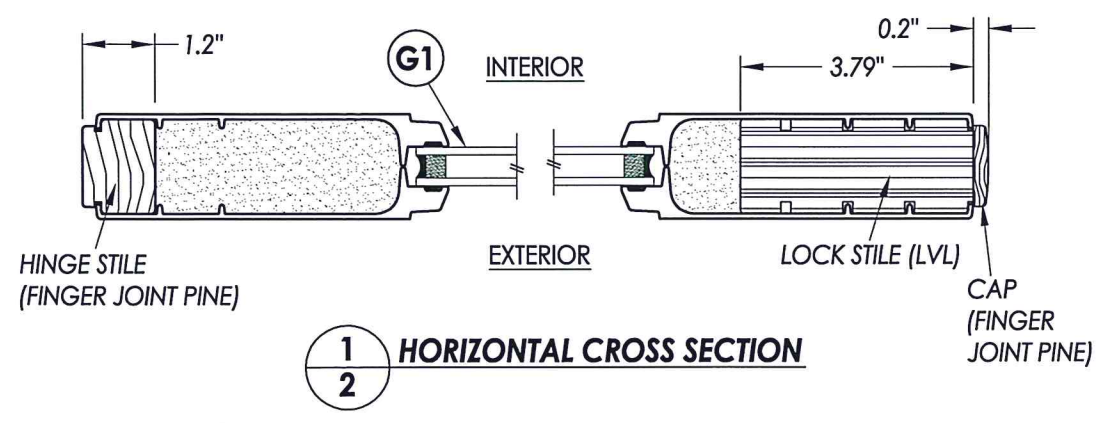
DWG. BY: JK

CHK. BY: LFS

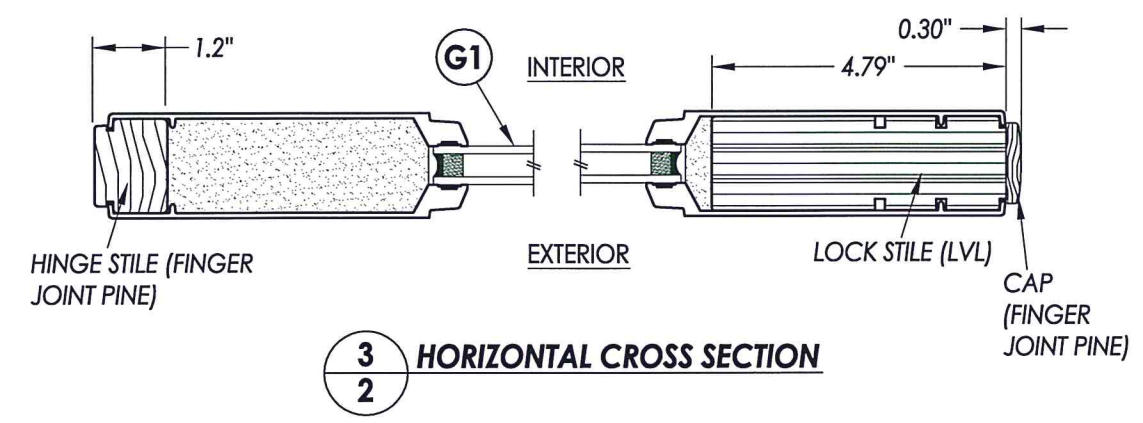
DRAWING NO.: TX-4558

SHEET 1 OF 8

C:\Clients\Therma Tru PERMANENT\B - Texas Dept of Ins\TDI - DR XXX Flush Glazed Doors\C - Drawings\Current\TX-4557-62.dwg, 2.2



**1**  
**2** **HORIZONTAL CROSS SECTION**



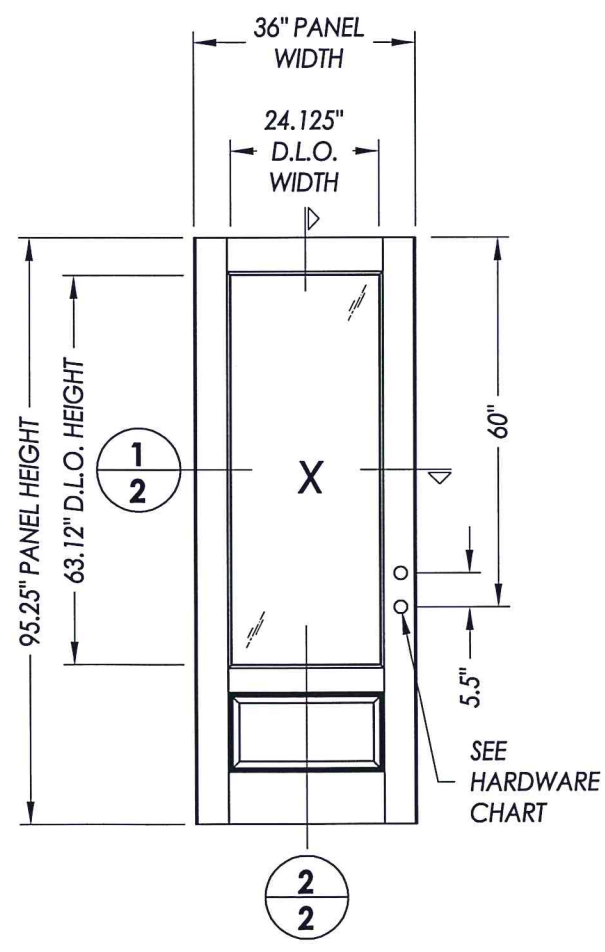
**3**  
**2** **HORIZONTAL CROSS SECTION**



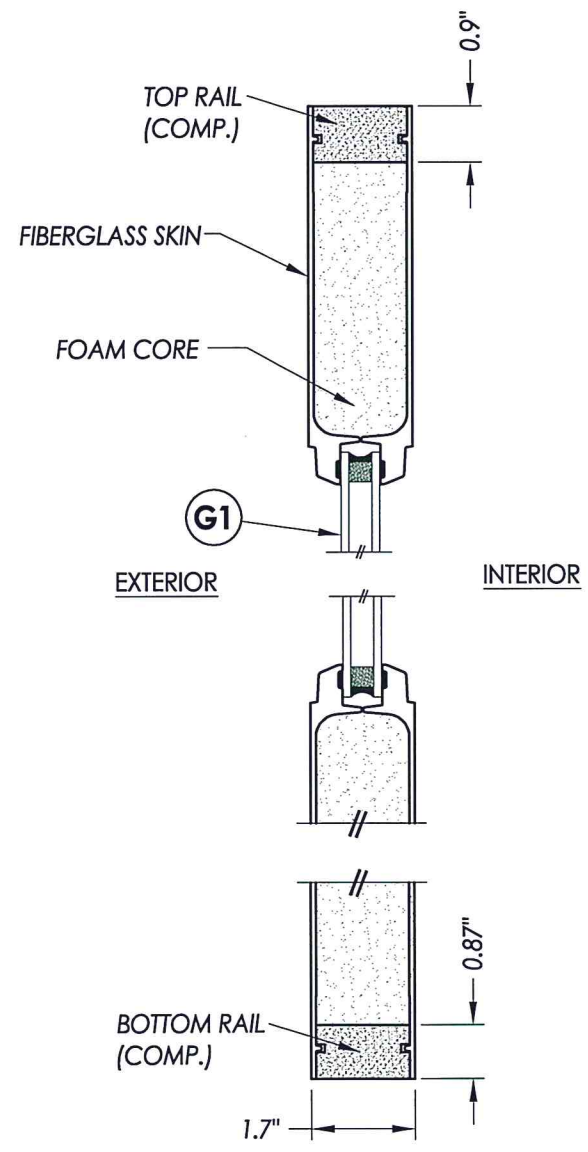
Documents Prepared By: Lyndon F. Schmidt, P.E.  
TEXAS P.E. #104123

**RW** BUILDING CONSULTANTS, INC.  
P.O. Box 230 Valrico FL, 33595  
Phone No.: 813.659.9197

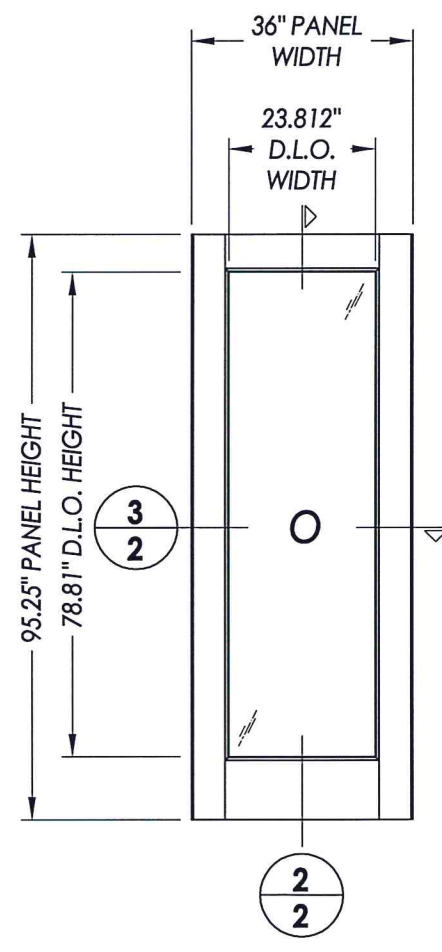
TEXAS BOARD OF PROFESSIONAL ENGINEERS  
CERTIFICATE OF REGISTRATION # F-11852



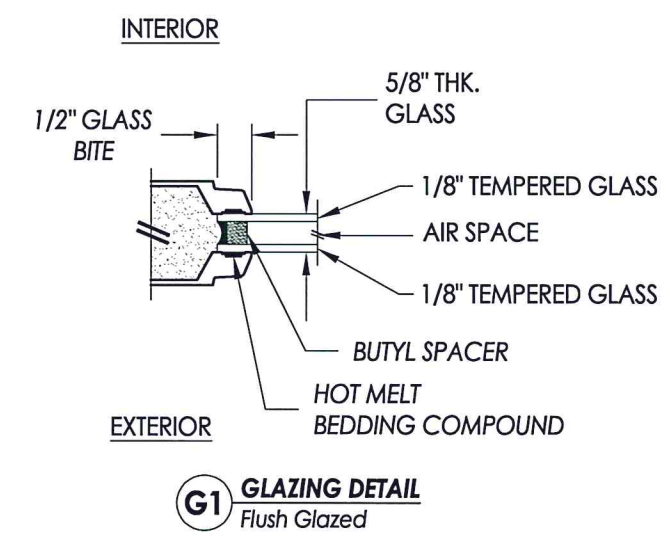
**40** **3'-0" DOOR/SIDELITE PANEL**  
3/4 Lite (Flush Glazed)  
FIBERGLASS SKIN: 0.077" THICKNESS  
FOAM CORE: POLYURETHANE



**2**  
**2** **VERTICAL CROSS SECTION**



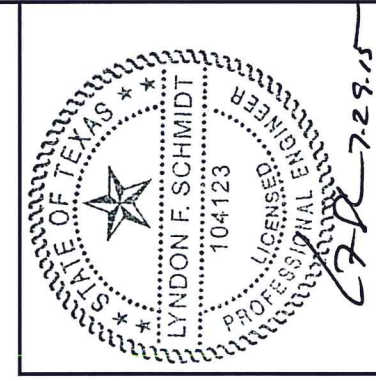
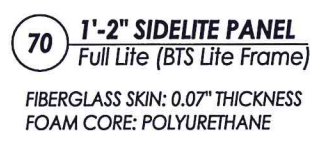
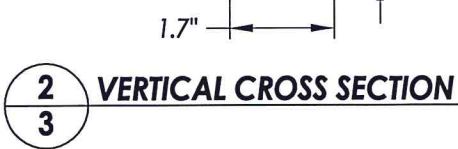
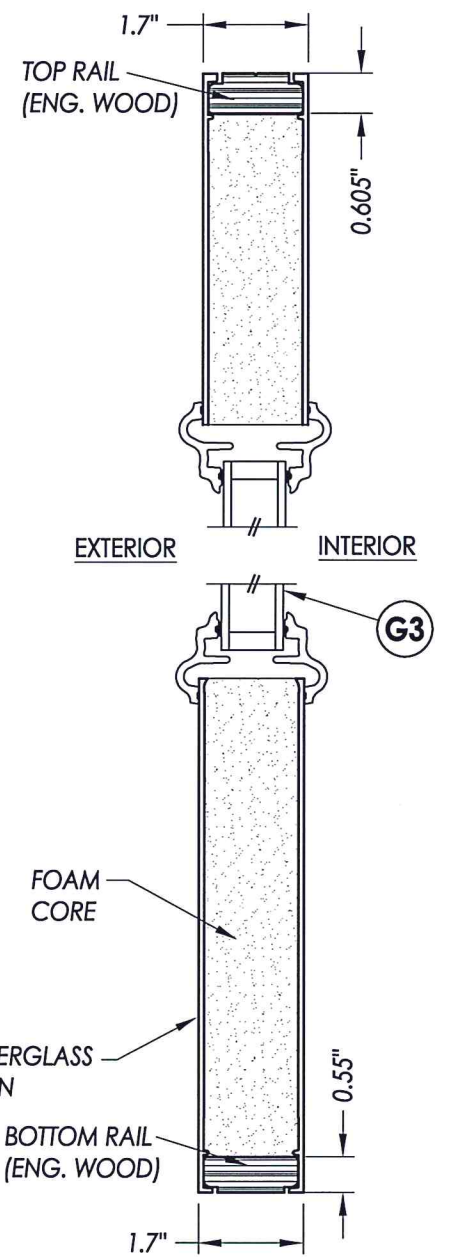
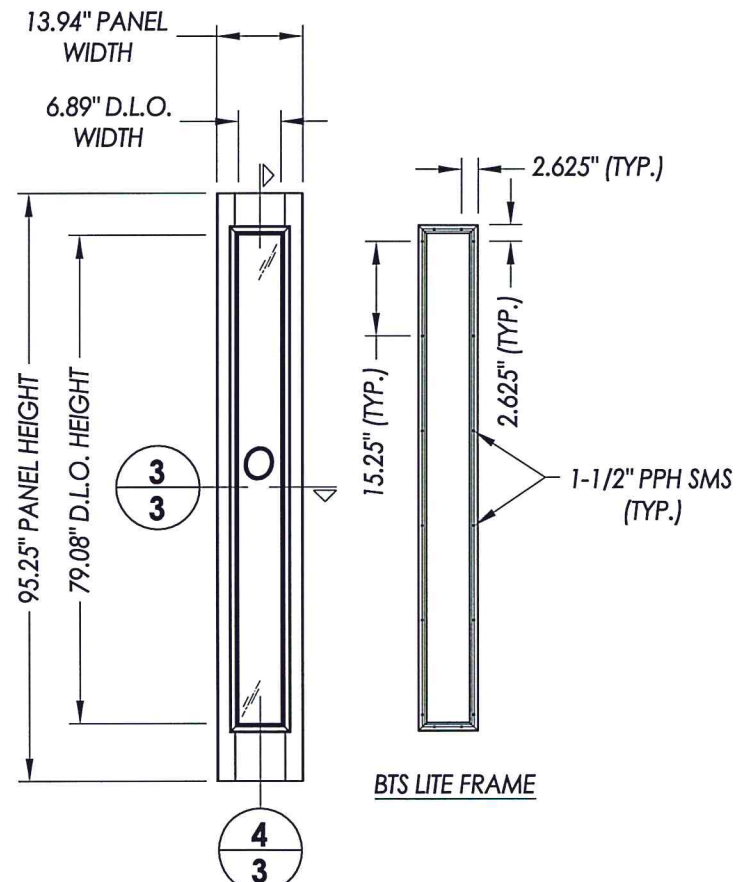
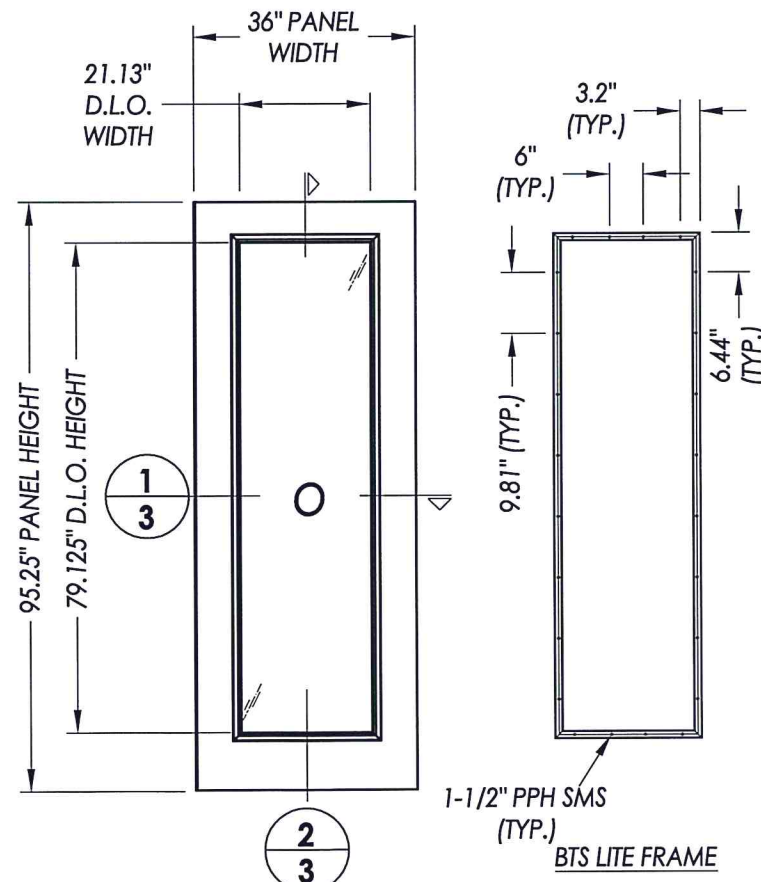
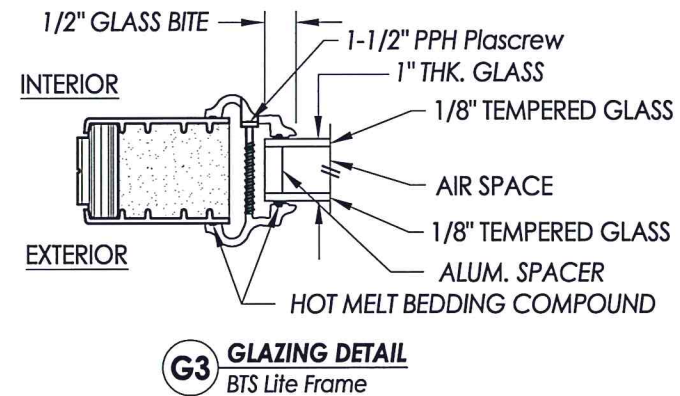
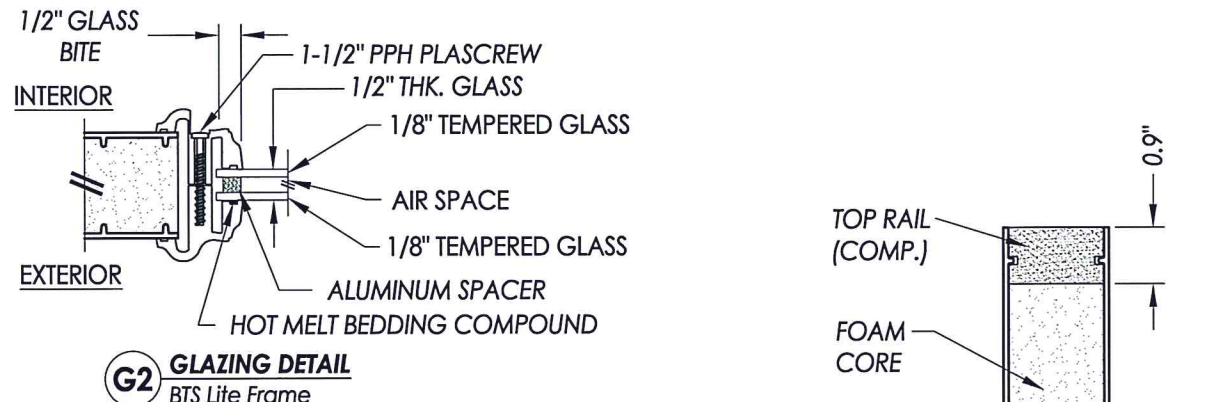
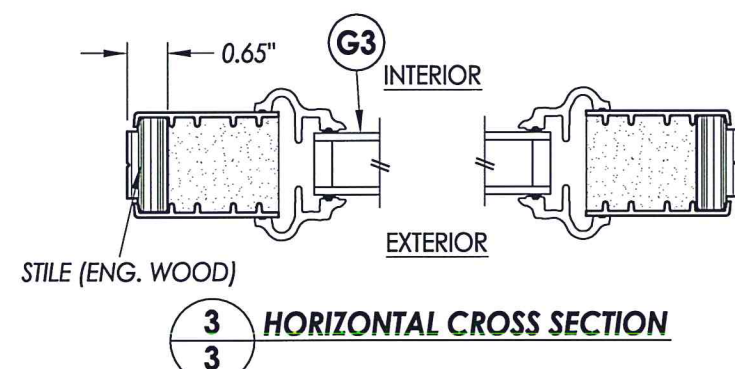
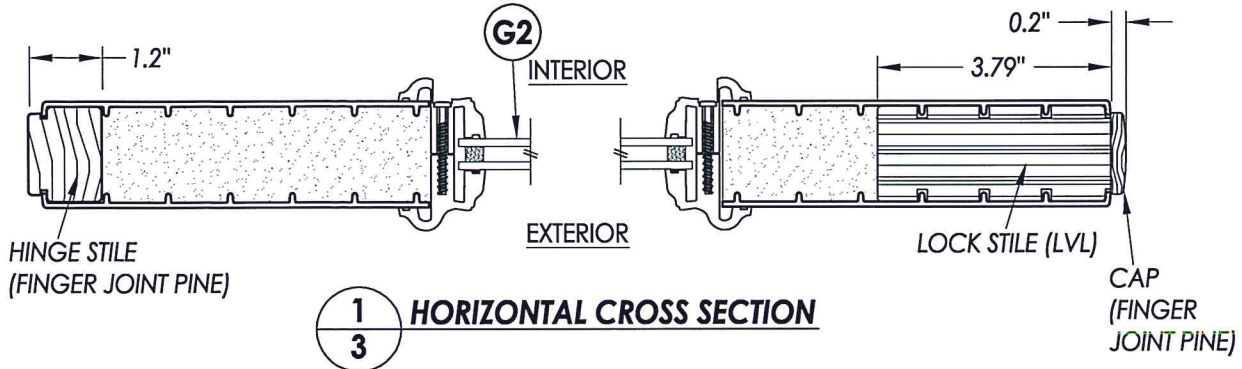
**50** **3'-0" SIDELITE PANEL**  
Full Lite (Flush Glazed)  
FIBERGLASS SKIN: 0.07" THICKNESS  
FOAM CORE: POLYURETHANE



**G1** **GLAZING DETAIL**  
Flush Glazed

HARDWARE TABLE	
MANUFACTURER	MODEL
WESLOCK	KNOB: 600 SERIES
	DEADBOLT: 671
SCHLAGE	KNOB: F51
	DEADBOLT: B60N
PAMEX	KNOB: FTF630
	DEADBOLT: FD761

PRODUCT:	Therma-TRU FLUSH GLAZED DOOR
PART OR ASSEMBLY:	DOOR/SIDELITE PANEL & GLAZING DETAILS
NO.	DATE
BY	REVISIONS
DATE:	7/28/15
SCALE:	N.T.S.
DWG. BY:	JK
CHK. BY:	LFS
DRAWING NO.:	TX-4558
SHEET	2 OF 8

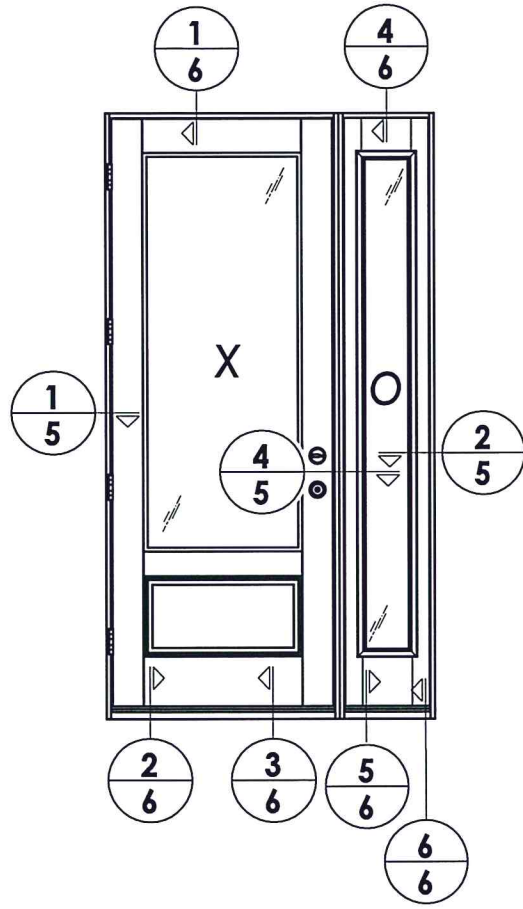


Documents Prepared By: Lyndon F. Schmidt, P.E.  
TEXAS P.E. #104123

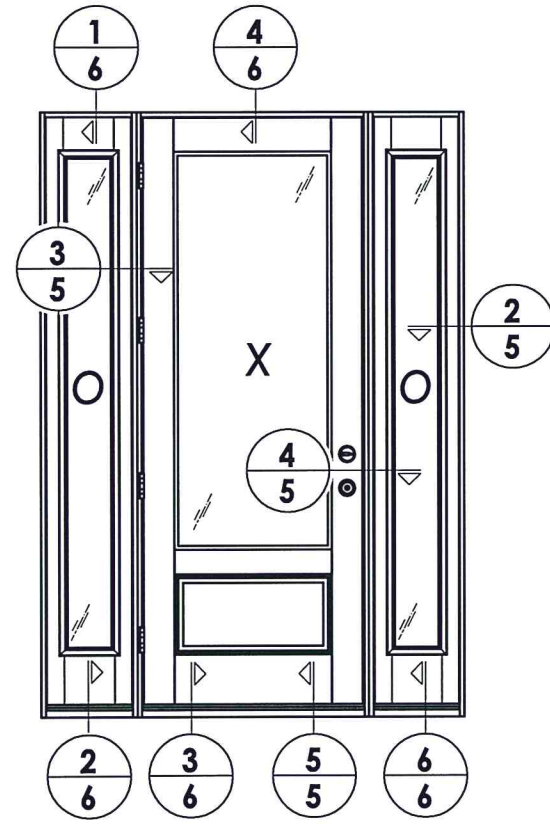
**RW** BUILDING CONSULTANTS, INC.  
P.O. Box 230 Vairico FL 33595  
Phone No.: 813.659.9197

TEXAS BOARD OF PROFESSIONAL ENGINEERS  
CERTIFICATE OF REGISTRATION # F-11852

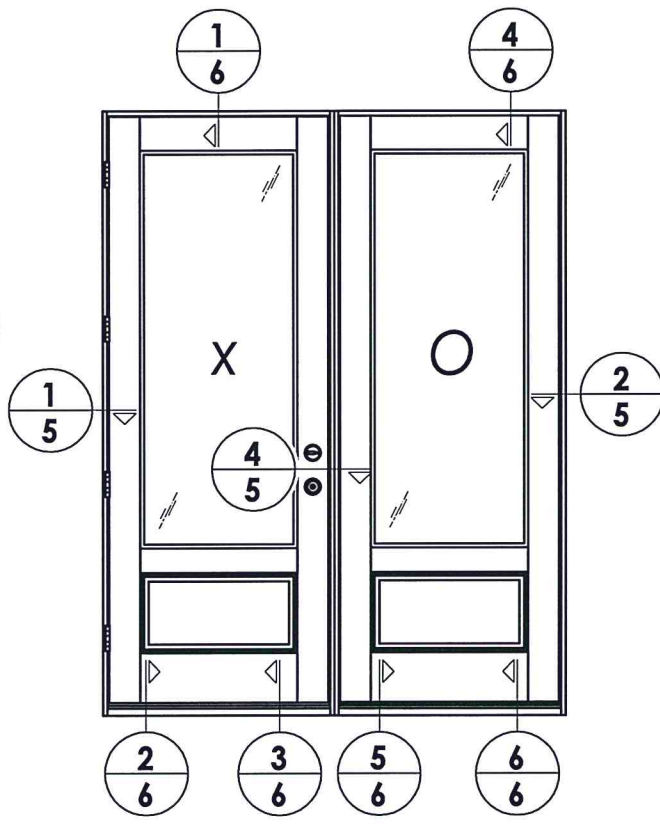
PRODUCT:	THERMA-TRU FLUSH GLAZED DOOR	
PART OR ASSEMBLY:	SIDELITE PANEL & GLAZING DETAILS	
NO.	DATE	BY
REVISIONS		
DATE:	7/28/15	
SCALE:	N.T.S.	
DWG. BY:	JK	
CHK. BY:	LFS	
DRAWING NO.:	TX-4558	
SHEET	3 OF 8	



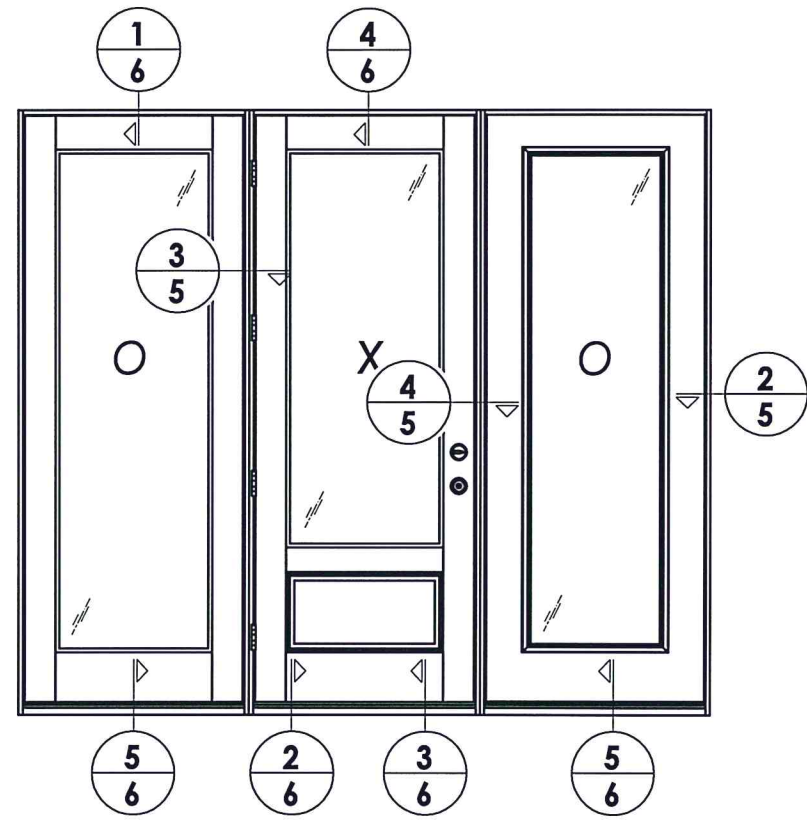
**3'-0" Door Panel w/ 14" Sidelite**



**3'-0" Door Panel w/ 14" Sidelites**



**3'-0" Door Panel w/ 36" Sidelite**



**3'-0" Door Panel w/ 36" Sidelites**



Documents Prepared By: Lyndon F. Schmidt, P.E.  
TEXAS P.E. #104123

**RW** BUILDING CONSULTANTS, INC.  
P.O. Box 230 Valrico FL, 33595  
Phone No.: 813.659.9197

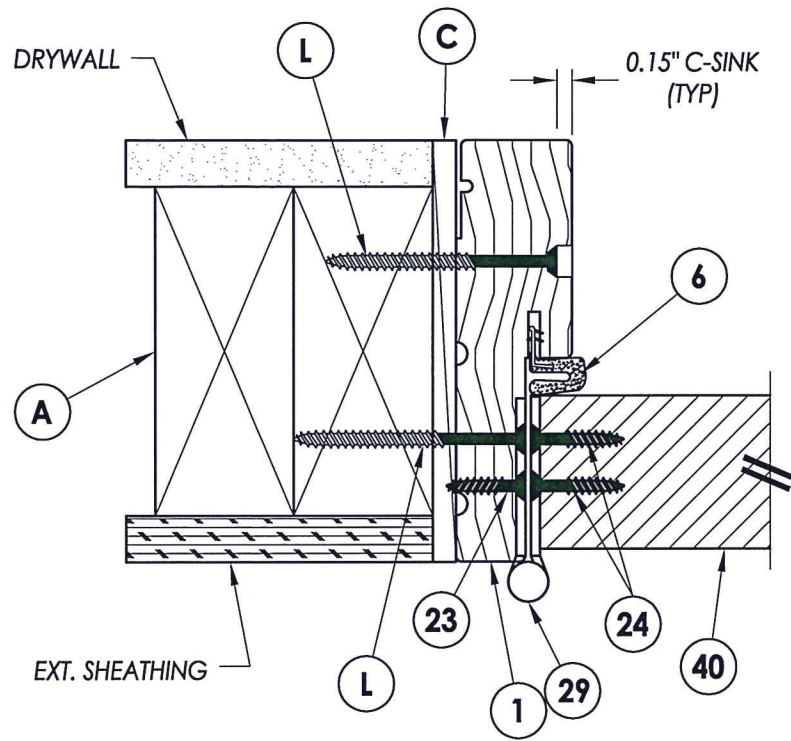
TEXAS BOARD OF PROFESSIONAL ENGINEERS  
CERTIFICATE OF REGISTRATION # F-11852

PRODUCT: THERMA-TRU  
FLUSH GLAZED DOOR

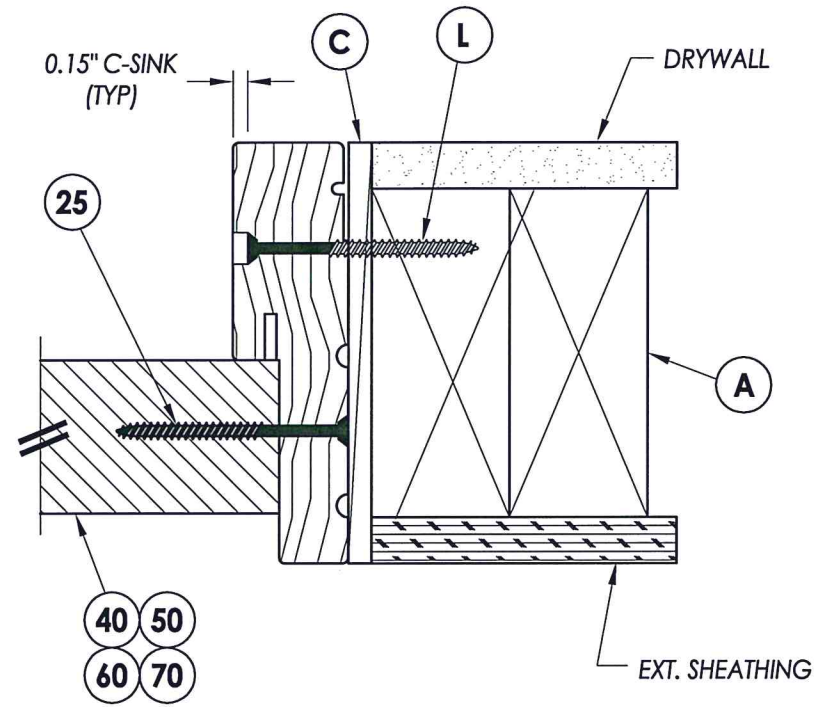
PART OR ASSEMBLY:  
SIDELITE PANEL DETAILS &  
GLAZING DETAIL

NO.	DATE	BY	REVISIONS

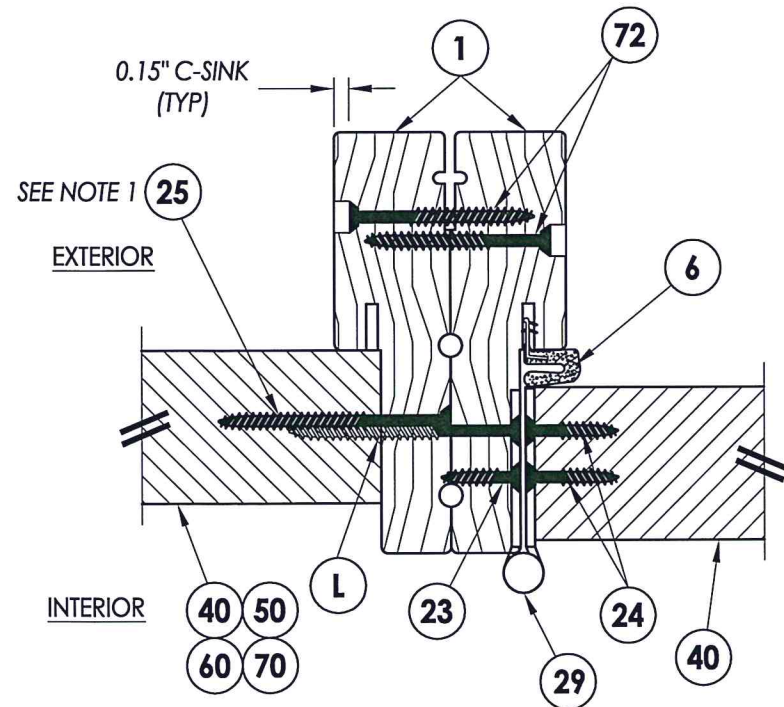
DATE: 7/28/15  
SCALE: N.T.S.  
DWG. BY: JK  
CHK. BY: LFS  
DRAWING NO.: TX-4558  
SHEET 4 OF 8



**1** HORIZONTAL CROSS SECTION  
**5** Outswing Shown (Inswing similar)



**2** HORIZONTAL CROSS SECTION  
**5** Outswing Shown (Inswing similar)



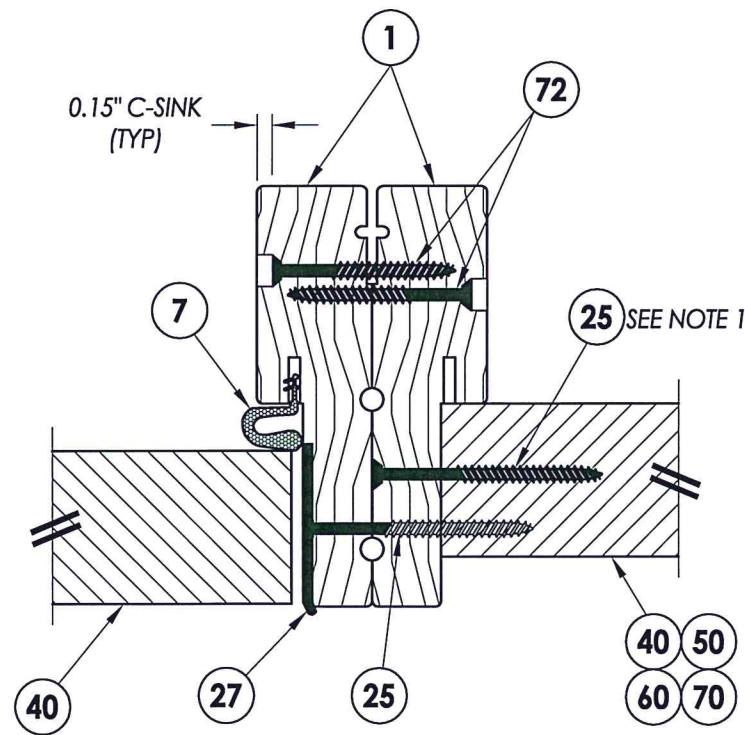
**3** HORIZONTAL CROSS SECTION  
**5** Outswing Shown (Inswing similar)

INTERIOR

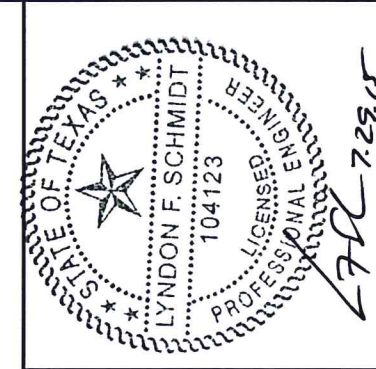
EXTERIOR

INTERIOR

EXTERIOR



**4** HORIZONTAL CROSS SECTION  
**5** Outswing Shown (Inswing similar)



Note:  
 1. Sidelite assembly screws located 8" from each end then 2 more equally spaced (4 total).

Documents Prepared By: Lyndon F. Schmidt, P.E.  
 TEXAS P.E. #104123

**RW** BUILDING CONSULTANTS, INC.  
 P.O. Box 230 Vairico FL, 33595  
 Phone No.: 813.659.9197  
 TEXAS BOARD OF PROFESSIONAL ENGINEERS  
 CERTIFICATE OF REGISTRATION # F-11852

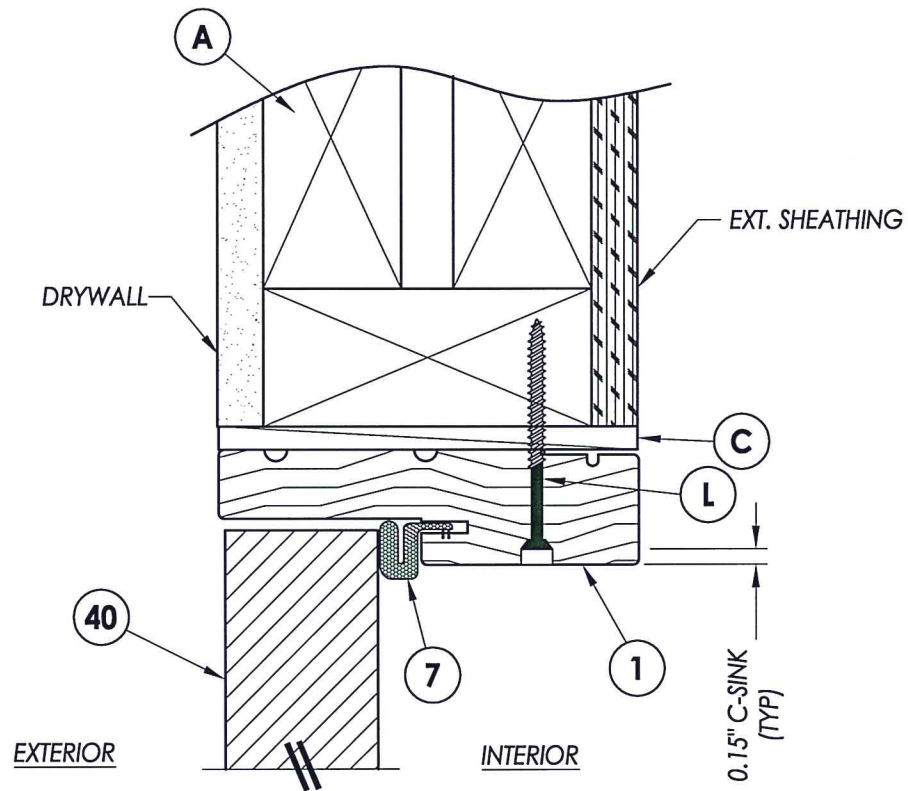
PRODUCT: THERMA-TRU  
 FLUSH GLAZED DOOR

PART OR ASSEMBLY:  
 HORIZONTAL  
 CROSS SECTIONS

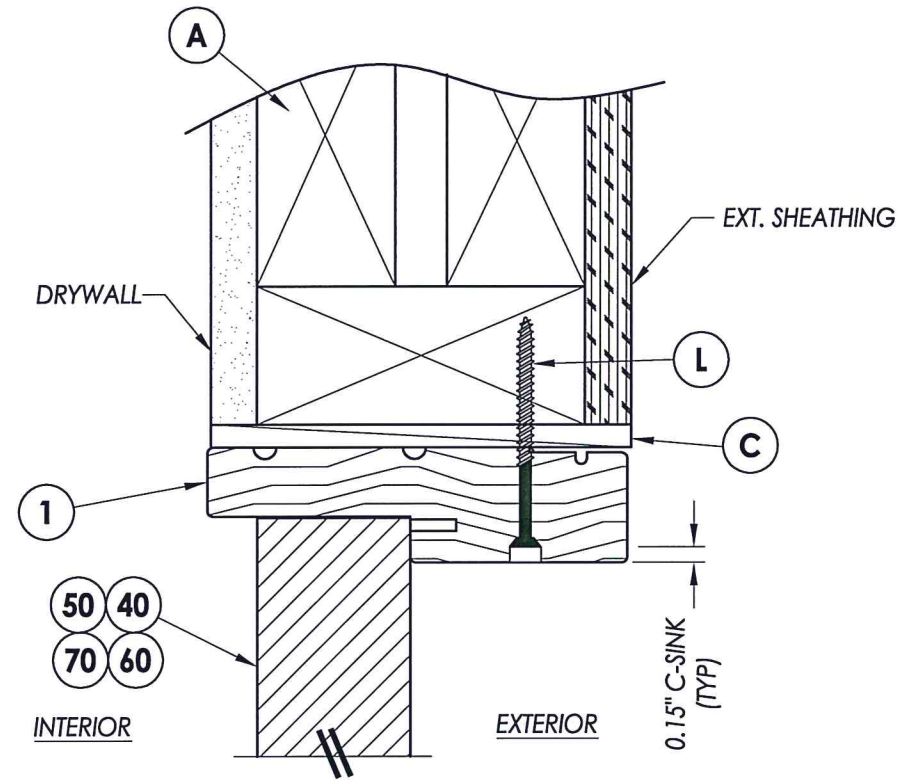
NO.	DATE	BY

DATE: 7/28/15  
 SCALE: N.T.S.  
 DWG. BY: JK  
 CHK. BY: LFS  
 DRAWING NO.: TX-4558  
 SHEET 5 OF 8

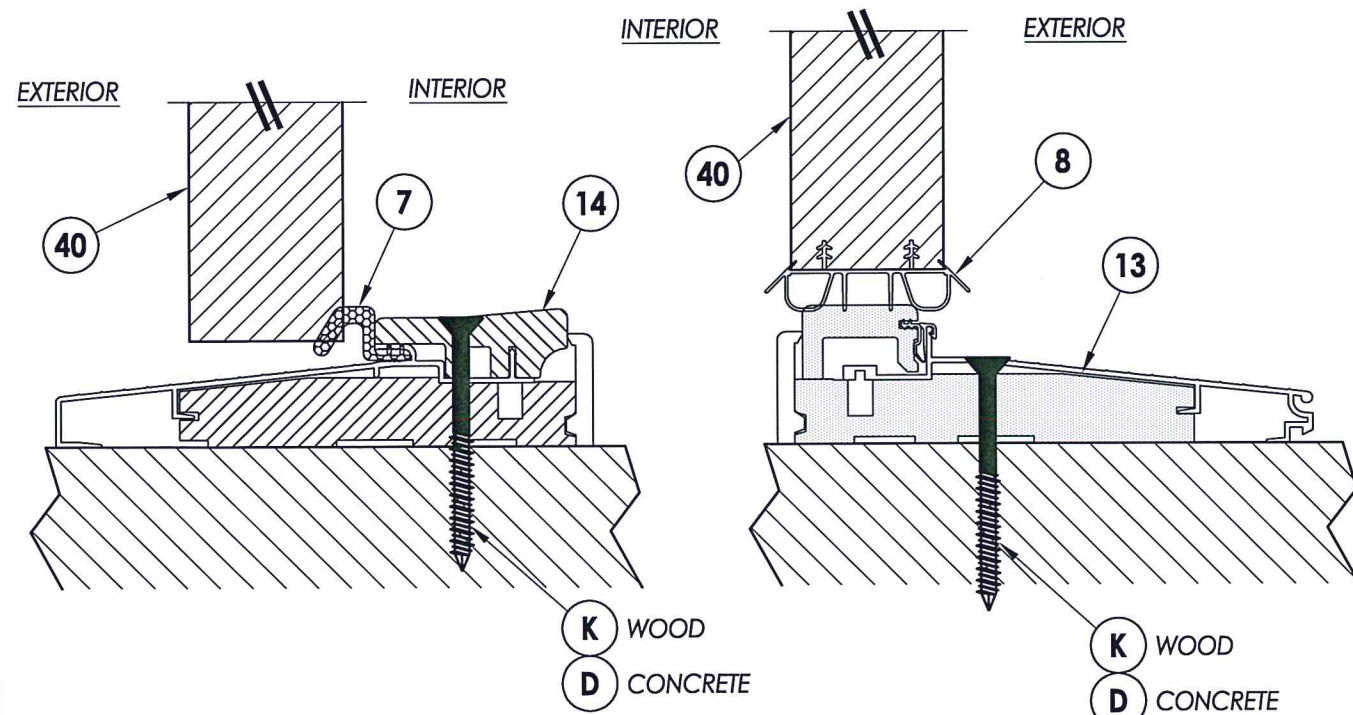
C:\Clients\Therma Tru PERMANENT\B - Texas Dept of Ins\TDI - DR XXX Flush Glazed Doors\C - Drawings\Current\TX-4557-62.dwg, 6.2



**1** VERTICAL CROSS SECTION  
**6** Outswing Shown (Inswing similar)

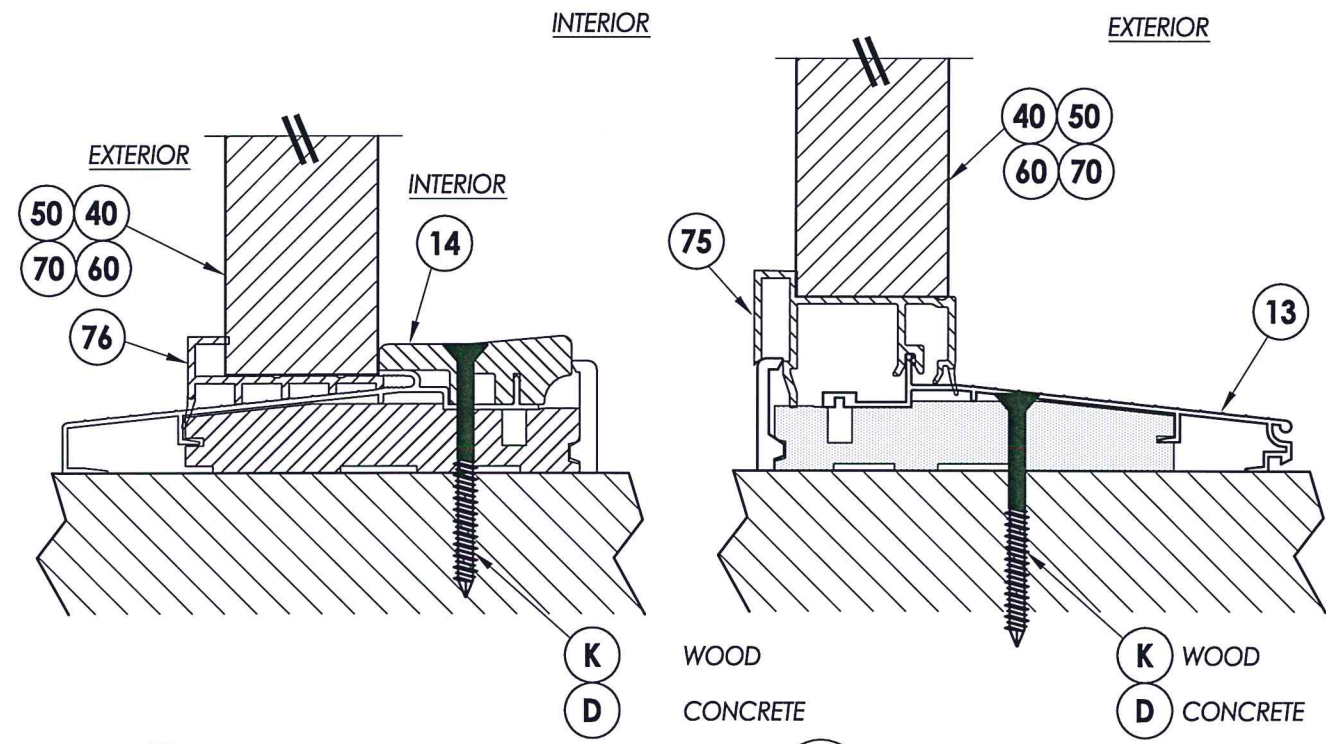


**4** VERTICAL CROSS SECTION  
**6** Outswing Shown (Inswing similar)



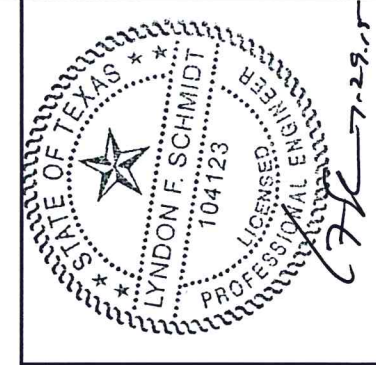
**2** VERTICAL CROSS SECTION  
**6** Outswing Sill

**3** VERTICAL CROSS SECTION  
**6** Inswing Sill



**5** VERTICAL CROSS SECTION  
**6** Outswing Sill

**6** VERTICAL CROSS SECTION  
**6** Inswing Sill



Documents Prepared By: Lyndon F. Schmidt, P.E.  
TEXAS P.E. #104123

**RW** BUILDING CONSULTANTS, INC.  
P.O. Box 230 Valrico FL 33595  
Phone No.: 813.659.9197

TEXAS BOARD OF PROFESSIONAL ENGINEERS  
CERTIFICATE OF REGISTRATION # F-11852

PRODUCT: THERMA-TRU  
FLUSH GLAZED DOOR

PART OR ASSEMBLY:  
VERTICAL  
CROSS SECTIONS

NO.	DATE	BY	REVISIONS

DATE: 7/28/15

SCALE: N.T.S.

DWG. BY: JK

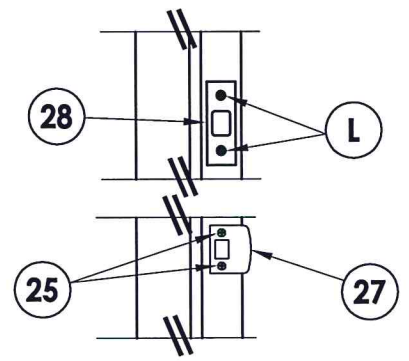
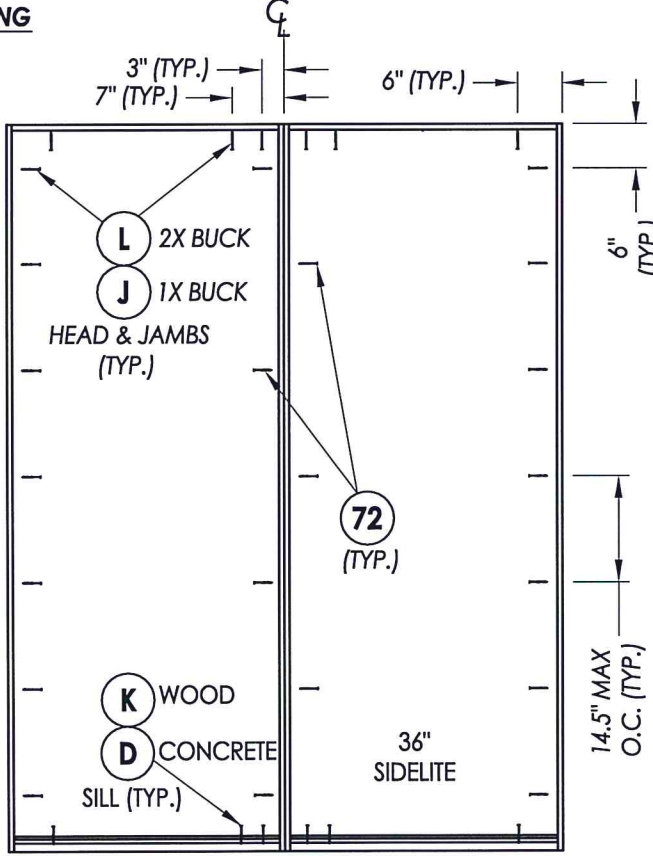
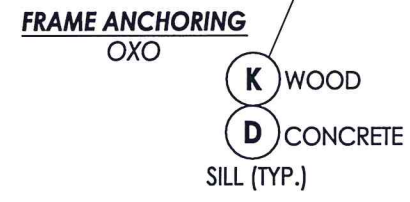
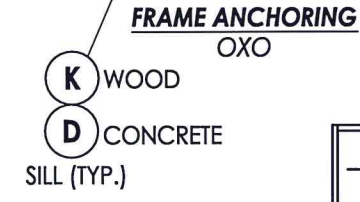
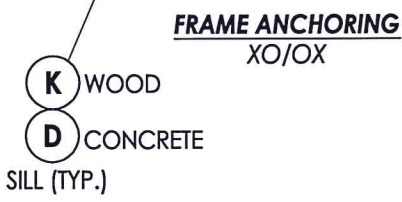
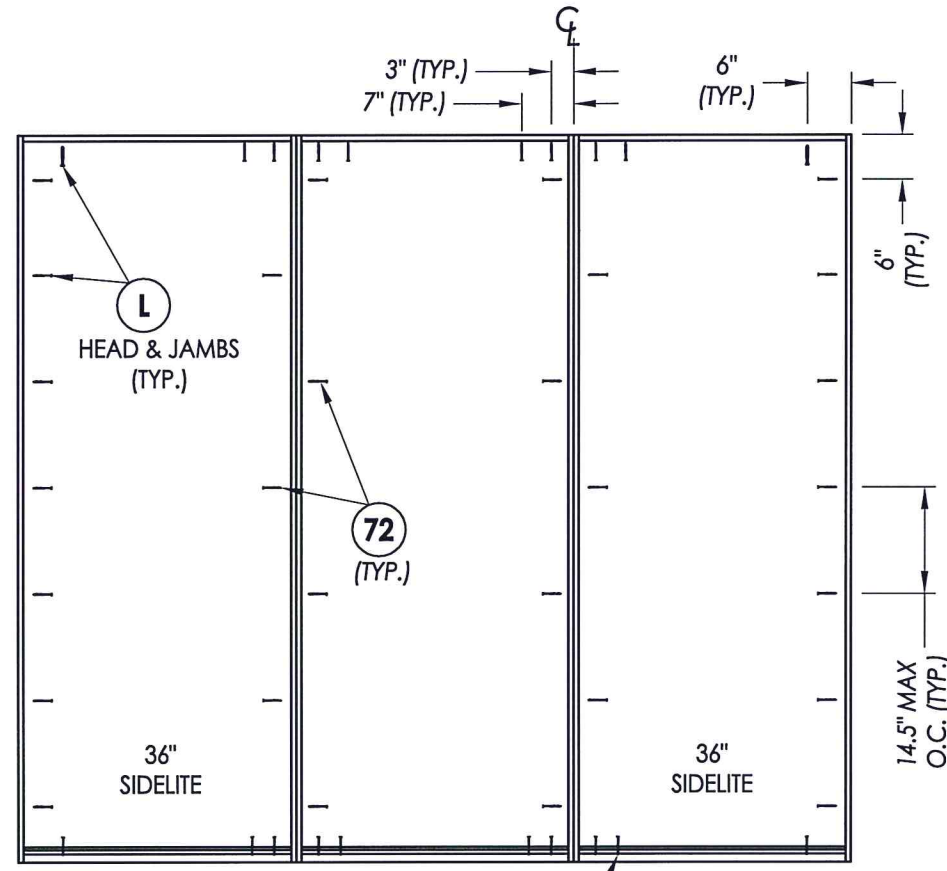
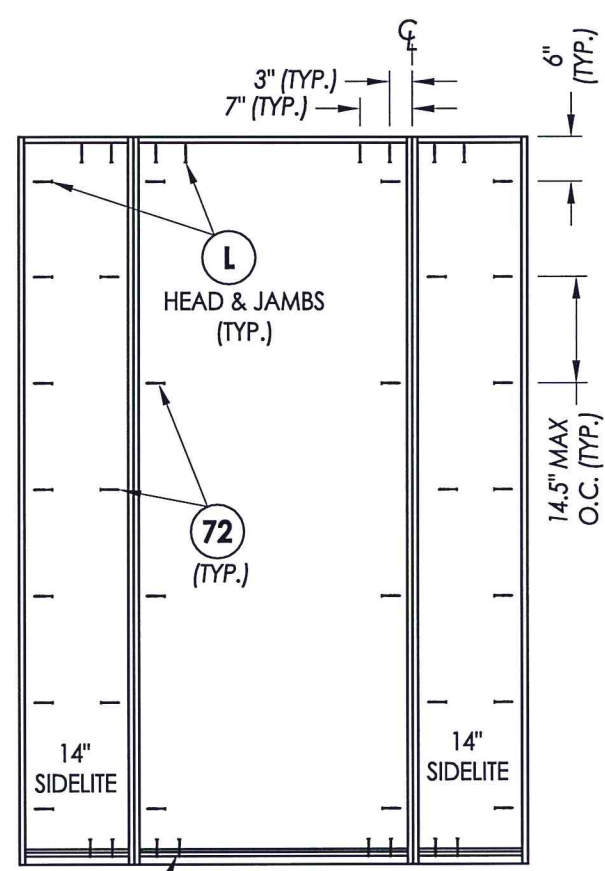
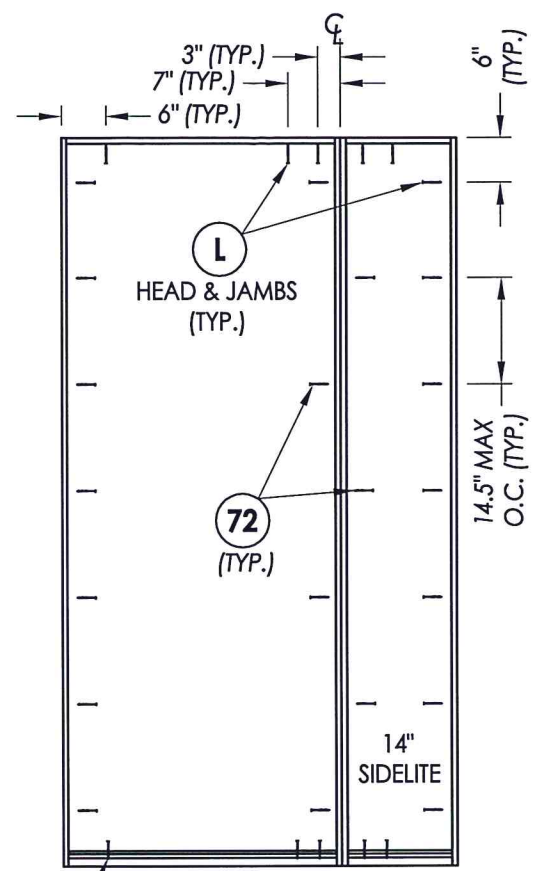
CHK. BY: LFS

DRAWING NO.:

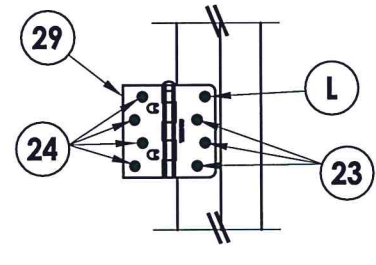
TX-4558

SHEET 6 OF 8

\\Clients\Therma Tru PERMANENT\B - Texas Dept of Ins\TDI - DR XXX Flush Glazed Doors\C - Drawings\Current\TX-4557-59.dwg, 7.2

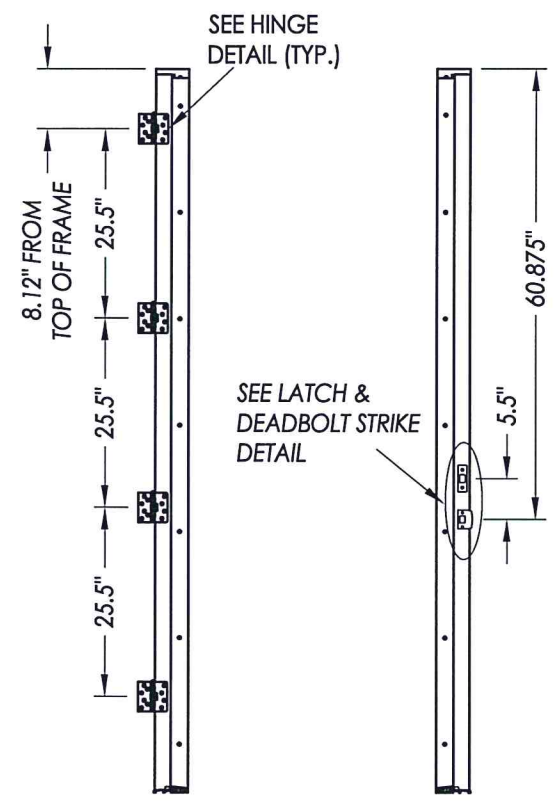


**LATCH & DEADBOLT STRIKE PLATE DETAIL**



**HINGE DETAIL**

**FRAME ANCHORING**  
2X stud framing  
w/ wood/concrete substrate



**HINGE JAMB**

**STRIKE JAMB**



Documents Prepared By: Lyndon F. Schmidt, P.E.  
TEXAS P.E. #104123

**RW** BUILDING CONSULTANTS, INC.  
P.O. Box 230 Valrico FL 33595  
Phone No.: 813.659.9197

TEXAS BOARD OF PROFESSIONAL ENGINEERS  
CERTIFICATE OF REGISTRATION # F-11852

PRODUCT: TAYLOR DOOR STEEL DOOR

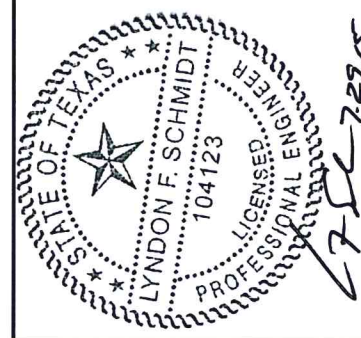
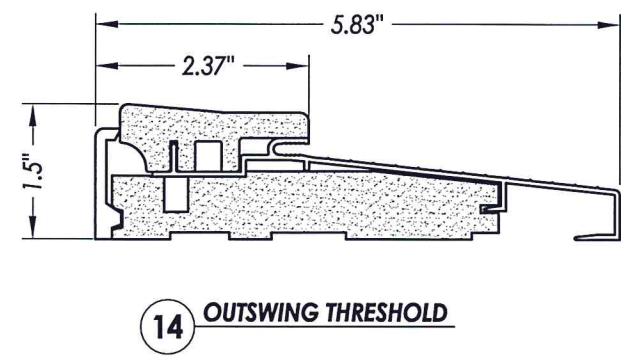
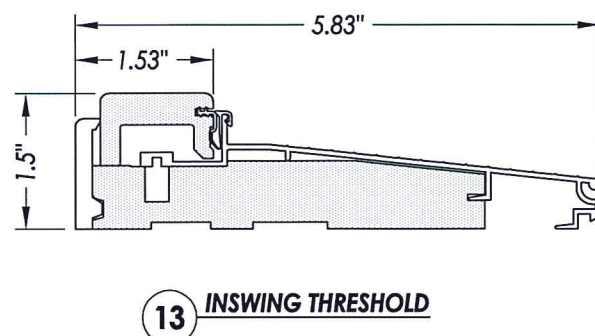
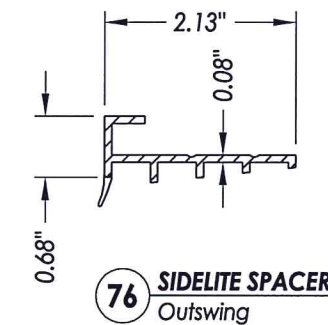
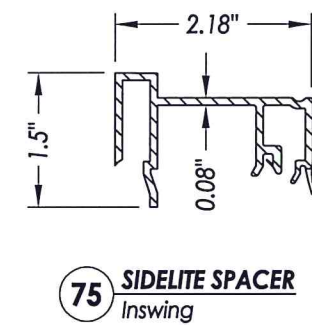
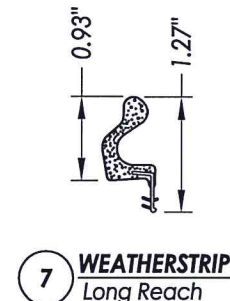
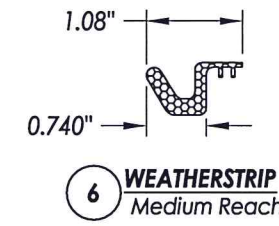
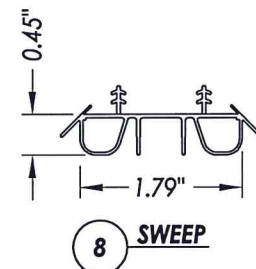
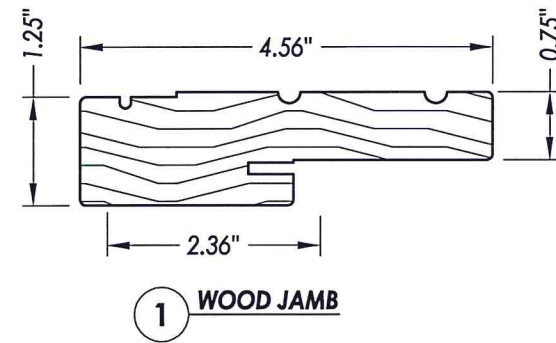
PART OR ASSEMBLY: FRAME ANCHORING & HARDWARE DETAILS

NO.	DATE	BY	REVISIONS

DATE: 11/3/14  
SCALE: N.T.S.  
DWG. BY: JK  
CHK. BY: LFS  
DRAWING NO.: TX-4558  
SHEET 7 OF 8

**BILL OF MATERIALS**

ITEM #	DESCRIPTION	MATERIAL
A	2X FRAMING (SG >= 0.42)	WOOD
C	1/4" MAX. SHIM SPACE	-
D	1/4" PFH ELCO OR ITW CONCRETE SCREW (1-3/4" MIN. EMBEDMENT)	STEEL
K	#10 PFH WOOD SCREW (1-1/2" MIN. EMBEDMENT)	STEEL
L	#10 X 2-1/2" PFH WOOD SCREW (1.15" MIN. EMBEDMENT)	STEEL
1	JAMB - FINGER JOINTED PINE	WOOD
6	WEATHERSTRIP (Medium Reach by Therma-Tru)	FOAM
7	WEATHERSTRIP (Long Reach by Therma-Tru)	FOAM
8	SWEEP	VINYL
13	INSWING THRESHOLD	ALUM/COMP
14	OUTSWING THRESHOLD	ALUM/COMP
23	#10 x 3/4" PFH WOOD SCREW	STEEL
24	#10 x 1" PFH WOOD SCREW	STEEL
25	#8 x 2-1/2" PFH WOOD SCREW	STEEL
27	LATCH STRIKE PLATE	STEEL
28	DEADBOLT STRIKE PLATE	STEEL
29	4" X 4" HINGE	STEEL
40	3'-0" DOOR/SIDELITE PANEL - 3/4 LITE (FLUSH GLAZED)	-
50	3'-0" SIDELITE PANEL - FULL LITE (FLUSH GLAZED)	-
60	3'-0" SIDELITE PANEL - FULL LITE (BTS LITE FRAME)	-
70	1'-2" SIDELITE PANEL - FULL LITE (BTS LITE FRAME)	-
72	#10 X 2" PFH WOOD SCREW	STEEL
75	SIDELITE SPACER (INSWING)	PVC
76	SIDELITE SPACER (OUTSWING)	PVC



Documents Prepared By: Lyndon F. Schmidt, P.E.  
TEXAS P.E. #104123

**RW** BUILDING CONSULTANTS, INC.  
P.O. Box 230 Valrico FL, 33595  
Phone No.: 813.659.9197

TEXAS BOARD OF PROFESSIONAL ENGINEERS  
CERTIFICATE OF REGISTRATION # F-11852

PRODUCT: THERMA-TRU  
FLUSH GLAZED DOOR

PART OR ASSEMBLY:  
BILL OF MATERIALS &  
COMPONENTS

NO.	DATE	BY	REVISIONS

DATE: 7/28/15  
SCALE: N.T.S.  
DWG. BY: JK  
CHK. BY: LFS  
DRAWING NO.: TX-4558  
SHEET 8 OF 8

**CONCRETE ANCHOR NOTES:**

- Concrete anchor locations at the corners may be adjusted to maintain the min. edge distance to mortar joints.
- Concrete anchor locations noted as "MAX. ON CENTER" must be adjusted to maintain the min. edge distance to mortar joints, additional concrete anchors may be required to ensure the "MAX. ON CENTER" dimension are not exceeded.
- Concrete anchor table:

ANCHOR TYPE	ANCHOR SIZE	MIN. EMBEDMENT	MIN. CLEARANCE TO MASONRY EDGE	MIN. CLEARANCE TO ADJACENT ANCHOR
ITW TAPCON®	1/4"	1-3/4"	2-1/2"	3"
ELCO ULTRACON®	1/4"	1-3/4"	1"	3"

MASONRY - 3,000 PSI MIN. CONCRETE CONFORMING TO ACI 301 OR HOLLOW BLOCK CONFORMING TO ASTM C90