

REVISIONS			
REV	DESCRIPTION	DATE	APPROVED
C	REVISED PER NEW REQUIREMENTS	12/11/19	R.L.

NOTES:

1. THE PRODUCT SHOWN HEREIN IS DESIGNED AND MANUFACTURED TO COMPLY WITH REQUIREMENTS OF THE 2018 IBC AND 2018 IRC.
2. WOOD FRAMING AND MASONRY OPENING TO BE DESIGNED AND ANCHORED TO PROPERLY TRANSFER ALL LOADS TO STRUCTURE. FRAMING AND MASONRY OPENING IS THE RESPONSIBILITY OF THE ARCHITECT OR ENGINEER OF RECORD.
3. 1X BUCK OVER MASONRY/CONCRETE IS OPTIONAL.
4. WHERE SHIM OR BUCK THICKNESS IS LESS THAN 1-1/2" WINDOW UNITS MUST BE ANCHORED THROUGH THE FRAME IN ACCORDANCE WITH MANUFACTURER'S PUBLISHED INSTALLATION INSTRUCTIONS. ANCHORS SHALL BE SECURELY FASTENED DIRECTLY INTO MASONRY, CONCRETE OR OTHER STRUCTURAL SUBSTRATE MATERIAL.
5. WHERE WOOD BUCK THICKNESS IS 1-1/2" OR GREATER, BUCK SHALL BE SECURELY FASTENED TO MASONRY, CONCRETE OR OTHER STRUCTURAL SUBSTRATE. WINDOW UNITS MAY BE ANCHORED THROUGH FRAME TO SECURED WOOD BUCK IN ACCORDANCE WITH MANUFACTURER'S PUBLISHED INSTALLATION INSTRUCTIONS.
6. WHERE 1X BUCK IS NOT USED DISSIMILAR MATERIALS MUST BE SEPARATED WITH APPROVED COATING OR MEMBRANE. SELECTION OF COATING OR MEMBRANE IS THE RESPONSIBILITY OF THE ARCHITECT OR ENGINEER OF RECORD.
7. BUCKS SHALL EXTEND BEYOND WINDOW INTERIOR FACE SO THAT FULL FRAME SUPPORT IS PROVIDED.
8. FOR FIN INSTALLATION SHIM AS NEEDED. FOR FRAME INSTALLATION SHIM AS REQUIRED AT EACH ANCHOR LOCATION WITH LOAD BEARING SHIM. SHIM WHERE SPACE OF 1/16" OR GREATER OCCURS. MAXIMUM ALLOWABLE SHIM STACK TO BE 1/4".
9. SHIMS SHALL BE LOCATED, APPLIED AND MADE FROM MATERIALS AND THICKNESS CAPABLE OF SUSTAINING APPLICABLE LOADS.
10. WIND LOAD DURATION FACTOR Cd=1.6 WAS USED FOR WOOD ANCHOR CALCULATIONS.
11. FRAME MATERIAL: ALUMINUM 6063-T5.
12. UNITS MUST BE GLAZED PER ASTM E1300-04/09, SEE SHEET 3 FOR GLASS DETAILS.
13. APPROVED IMPACT PROTECTIVE SYSTEM IS NOT REQUIRED FOR THIS PRODUCT IN WIND BORNE DEBRIS REGIONS.
14. FOR ANCHORING INTO WOOD FRAMING OR 2X BUCK USE #14 WOOD SCREWS WITH SUFFICIENT LENGTH TO ACHIEVE A 1 7/16" MINIMUM EMBEDMENT INTO SUBSTRATE. LOCATE ANCHORS AS SHOWN IN ELEVATIONS AND INSTALLATION DETAILS.

15. FOR ANCHORING INTO MASONRY/CONCRETE USE 1/4" CRETE-FLEX WITH SUFFICIENT LENGTH TO ACHIEVE A 1 1/4" MINIMUM EMBEDMENT INTO SUBSTRATE WITH 2 1/2" MINIMUM EDGE DISTANCE. LOCATE ANCHORS AS SHOWN IN ELEVATIONS AND INSTALLATION DETAILS.
16. FOR ANCHORING INTO METAL STRUCTURE USE #14 SMS OR SELF DRILLING SCREWS WITH SUFFICIENT LENGTH TO ACHIEVE 3 THREADS MINIMUM BEYOND STRUCTURE INTERIOR WALL. LOCATE ANCHORS AS SHOWN IN ELEVATIONS AND INSTALLATION DETAILS.
17. ALL FASTENERS TO BE CORROSION RESISTANT.
18. INSTALLATION ANCHORS SHALL BE INSTALLED IN ACCORDANCE WITH ANCHOR MANUFACTURER'S INSTALLATION INSTRUCTIONS AND ANCHORS SHALL NOT BE USED IN SUBSTRATES WITH STRENGTHS LESS THAN THE MINIMUM STRENGTH SPECIFIED BELOW:
 - A. WOOD - MINIMUM SPECIFIC GRAVITY OF G=0.42
 - B. CONCRETE - MINIMUM COMPRESSIVE STRENGTH OF 3,000 PSI.
 - C. MASONRY - STRENGTH CONFORMANCE TO ASTM C-90, WITH Fm= 2,000 PSI.
 - D. METAL STRUCTURE: STEEL 18GA (.048"), 33KSI OR ALUMINUM 6063-T5 1/8" THICK MINIMUM

SIGNED: 06/19/2020

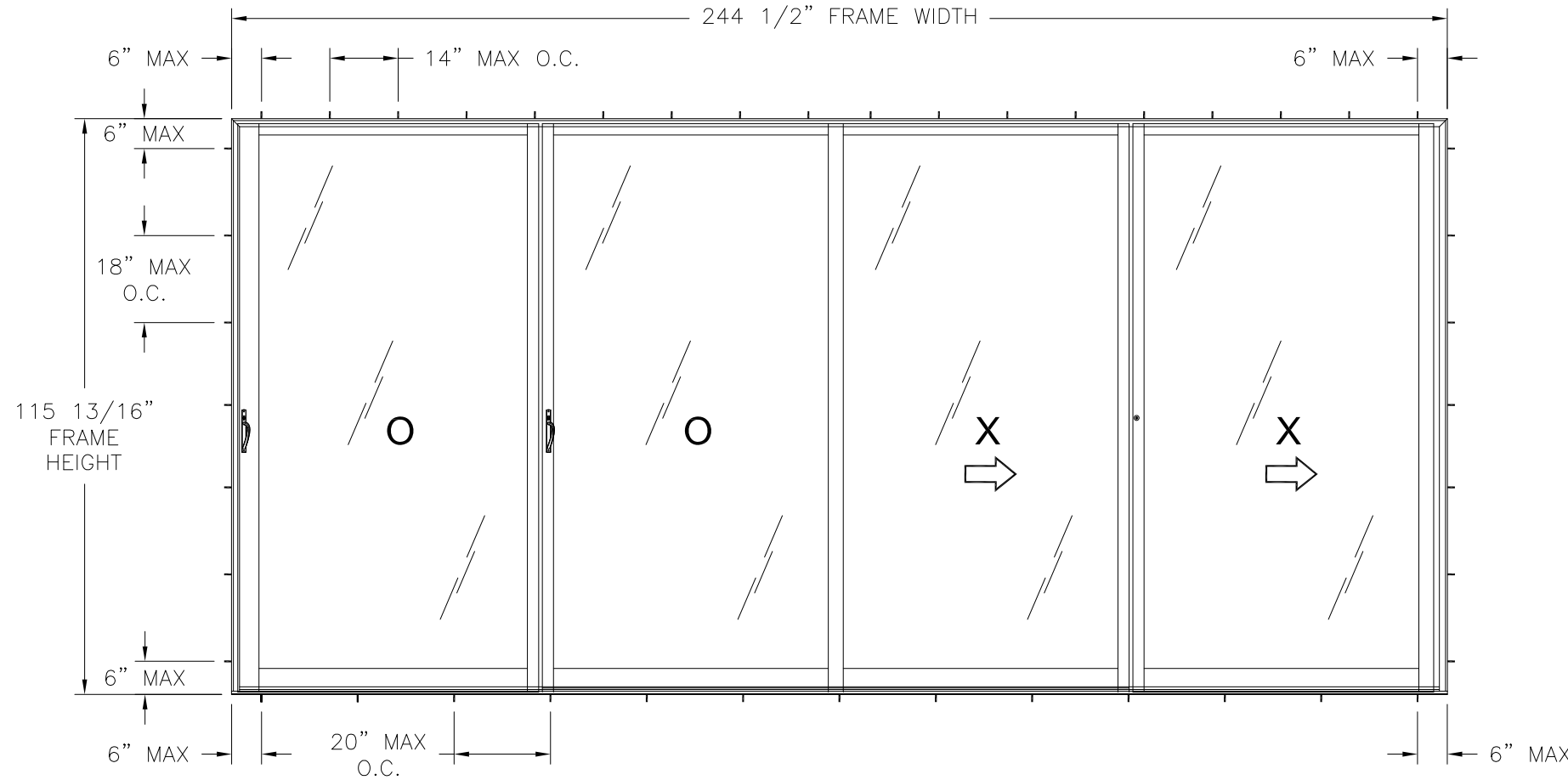
TABLE OF CONTENTS	
SHEET NO.	DESCRIPTION
1	NOTES
2	ELEVATION
3 - 4	CROSS SECTIONS AND GLAZING DETAIL
5 - 8	INSTALLATION DETAILS
9	COMPONENTS

SOLAR INNOVATIONS, INC. 31 ROBERTS RD PINE GROVE, PA 17963		
G3 MULTI TRACK SLIDING GLASS DOOR - IMPACT NOTES		
DRAWN: N.G.	DWG NO. 08-02637	REV A
SCALE NTS	DATE 03/12/15	SHEET 1 OF 9
L. ROBERTO LOMAS P.E. 1432 WOODFORD RD LEWISVILLE, NC 27023 434-688-0609 rllomas@rlomaspe.com		



Luis R. Lomas P.E.
TX No.: 101889

REVISIONS			
REV	DESCRIPTION	DATE	APPROVED
C	REVISED PER NEW REQUIREMENTS	12/11/19	R.L.



SERIES SI8000 G3 MULTI TRACK SGD
EXTERIOR VIEW

- NOTES:
1. OPERABLE PANEL MAXIMUM SIZE: 63 3/4" X 114 3/8"
 2. FIXED PANEL MAXIMUM SIZE: 63 1/8" X 114 3/8"
 3. OPERABLE PANEL MAXIMUM D.L.O.: 58 1/2" X 107 1/4"
 4. FIXED PANEL MAXIMUM D.L.O.: 55 5/8" X 107 1/4"
 5. (2) 1/4" DIAMETER WEEP HOLE LOCATED 6", 34", 59 1/2", 92 3/8" AND 119 1/4" FROM EACH END OF EXTERIOR SILL FACE
 6. (1) 1 1/4" X 1/4" WEEP HOLE WITH PLASTIC FLAP LOCATED 6", 34", 59 1/2", 65 1/2", 92 3/8" AND 119 1/4" FROM EACH END OF EXTERIOR SILL FACE.

DESIGN PRESSURE RATING	IMPACT RATING
±70.0PSF	LARGE AND SMALL MISSILE IMPACT

MISSILE LEVEL D, WIND ZONE 4

UNLIMITED NUMBER OF PANELS IN UNLIMITED CONFIGURATIONS ARE APPROVED AS LONG AS INDIVIDUAL PANEL AREA DOES NOT EXCEED 50.63 FT² AND USES VERTICAL CONDITIONS AS SHOWN IN APPROVAL DRAWING

SIGNED: 06/19/2020

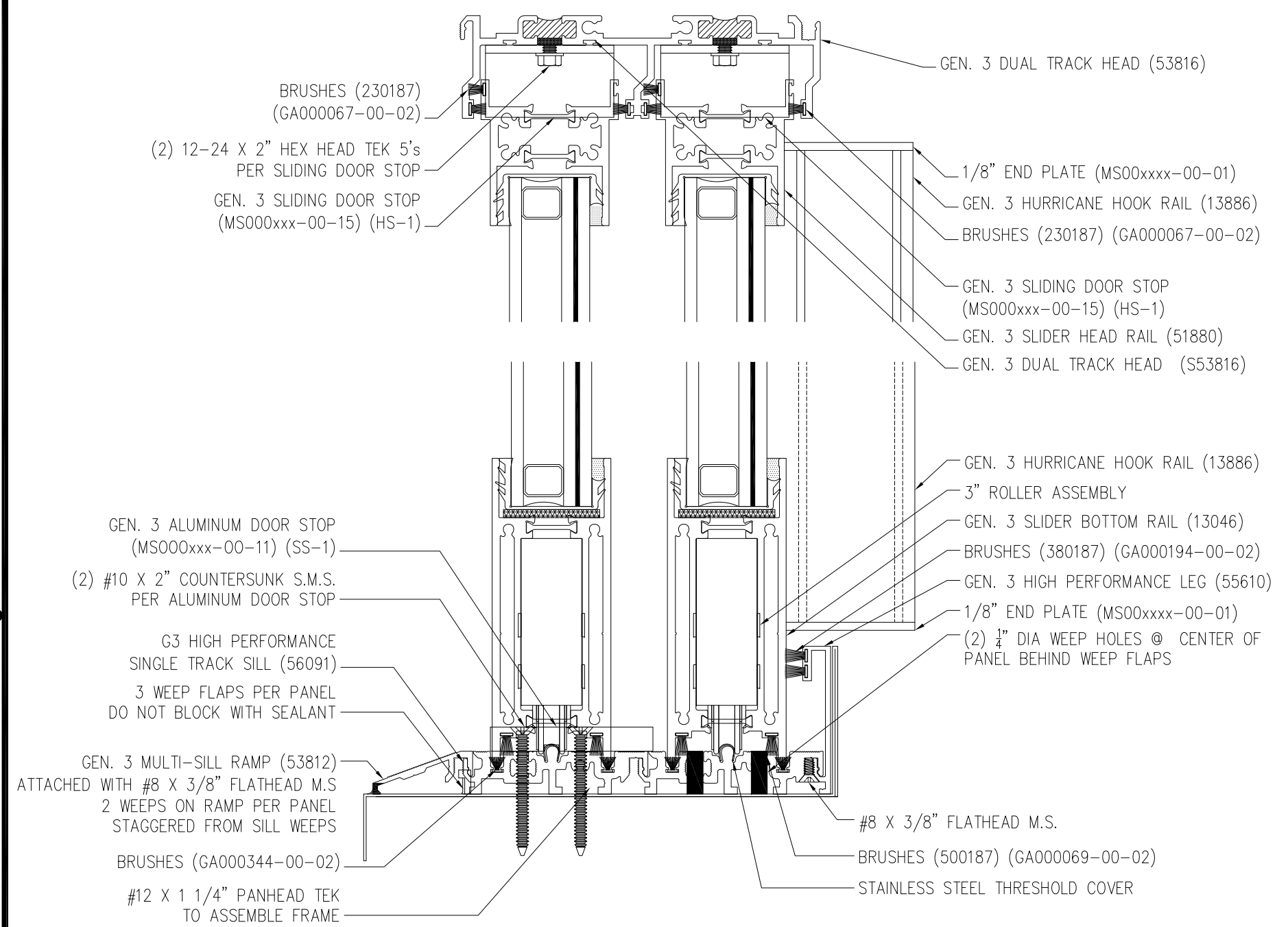
HARDWARE SCHEDULE	
A.	SINGLE HANDLE 4 POINT LOCK LIFT & SLIDE
B.	NYLON ROLLER WITH METAL HOUSING
C.	EXTRUDED ALUMINUM POCKET INTERLOCK
D.	EXTRUDED ALUMINUM ASTRAGAL

SOLAR INNOVATIONS, INC. 31 ROBERTS RD PINE GROVE, PA 17963		
G3 MULTI TRACK SLIDING GLASS DOOR – IMPACT ELEVATION		
DRAWN: N.G.	DWG NO. 08-02637	REV A
SCALE NTS	DATE 03/12/15	SHEET 2 OF 9
L. ROBERTO LOMAS P.E. 1432 WOODFORD RD LEWISVILLE, NC 27023 434-688-0609 rllomas@lrlomaspe.com		

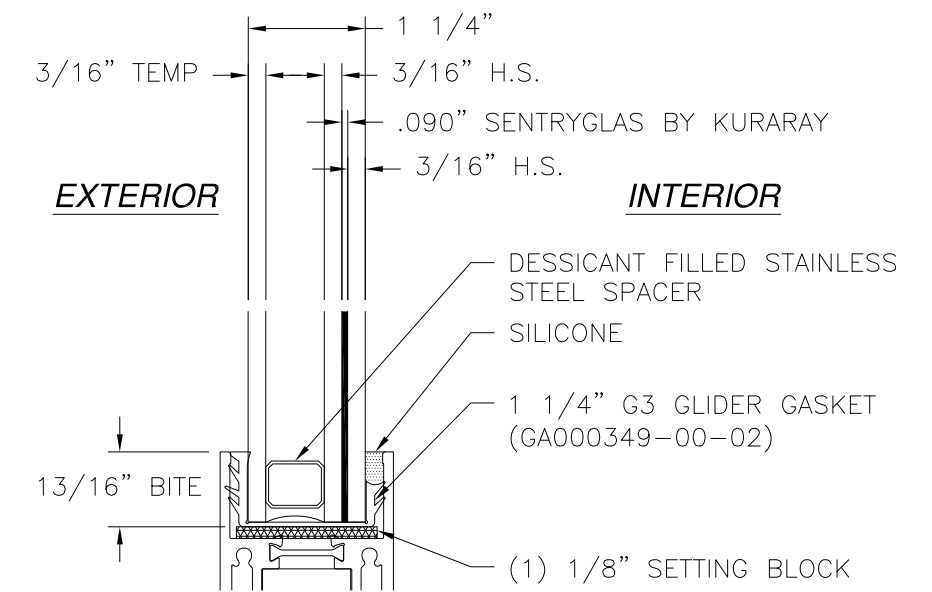


Luis R. Lomas P.E.
TX No.: 101889

REVISIONS			
REV	DESCRIPTION	DATE	APPROVED
C	REVISED PER NEW REQUIREMENTS	12/11/19	R.L.



VERTICAL CROSS SECTION



GLAZING DETAIL

SIGNED: 06/19/2020

SOLAR INNOVATIONS, INC.
 31 ROBERTS RD
 PINE GROVE, PA 17963

G3 MULTI TRACK
 SLIDING GLASS DOOR - IMPACT
 VERTICAL CROSS SECTION AND GLAZING DETAIL

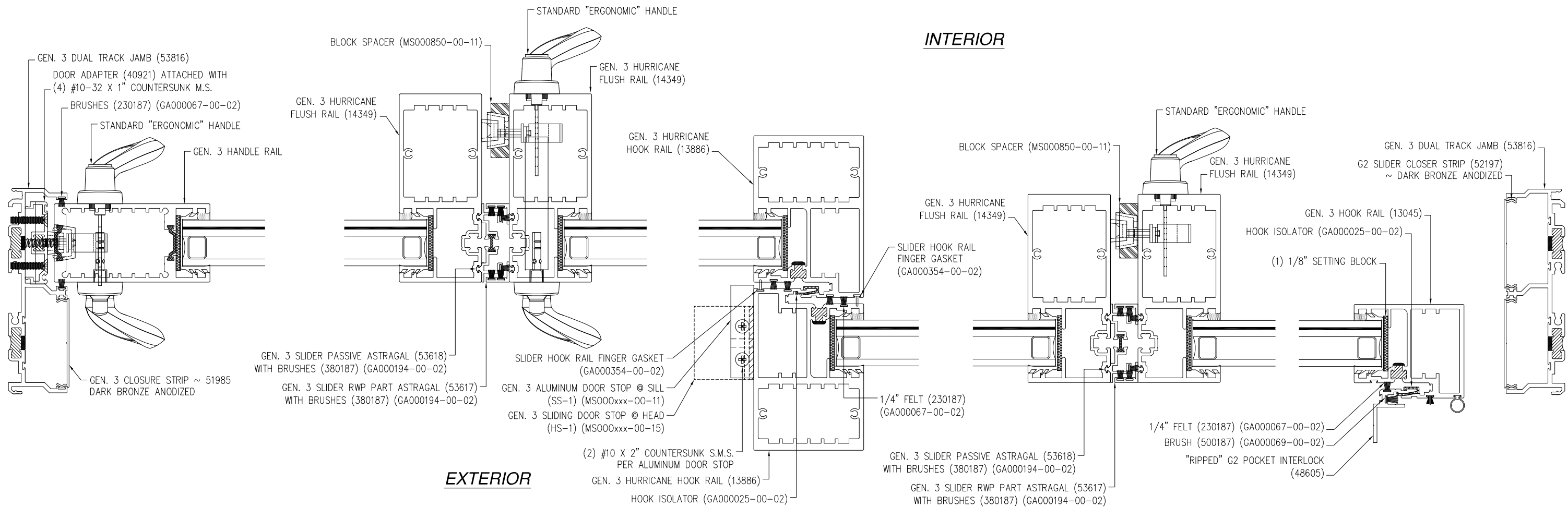
DRAWN: N.G.	DWG NO. 08-02637	REV A
SCALE NTS	DATE 03/12/15	SHEET 3 OF 9

L. ROBERTO LOMAS P.E.
 1432 WOODFORD RD LEWISVILLE, NC 27023
 434-688-0609 rllomas@lrlomaspe.com



Luis R. Lomas P.E.
 TX No.: 101889

REVISIONS			
REV	DESCRIPTION	DATE	APPROVED
C	REVISED PER NEW REQUIREMENTS	12/11/19	R.L.



HORIZONTAL CROSS SECTION

SIGNED: 06/19/2020

SOLAR INNOVATIONS, INC.
 31 ROBERTS RD
 PINE GROVE, PA 17963

G3 MULTI TRACK
 SLIDING GLASS DOOR - IMPACT
 HORIZONTAL CROSS SECTION

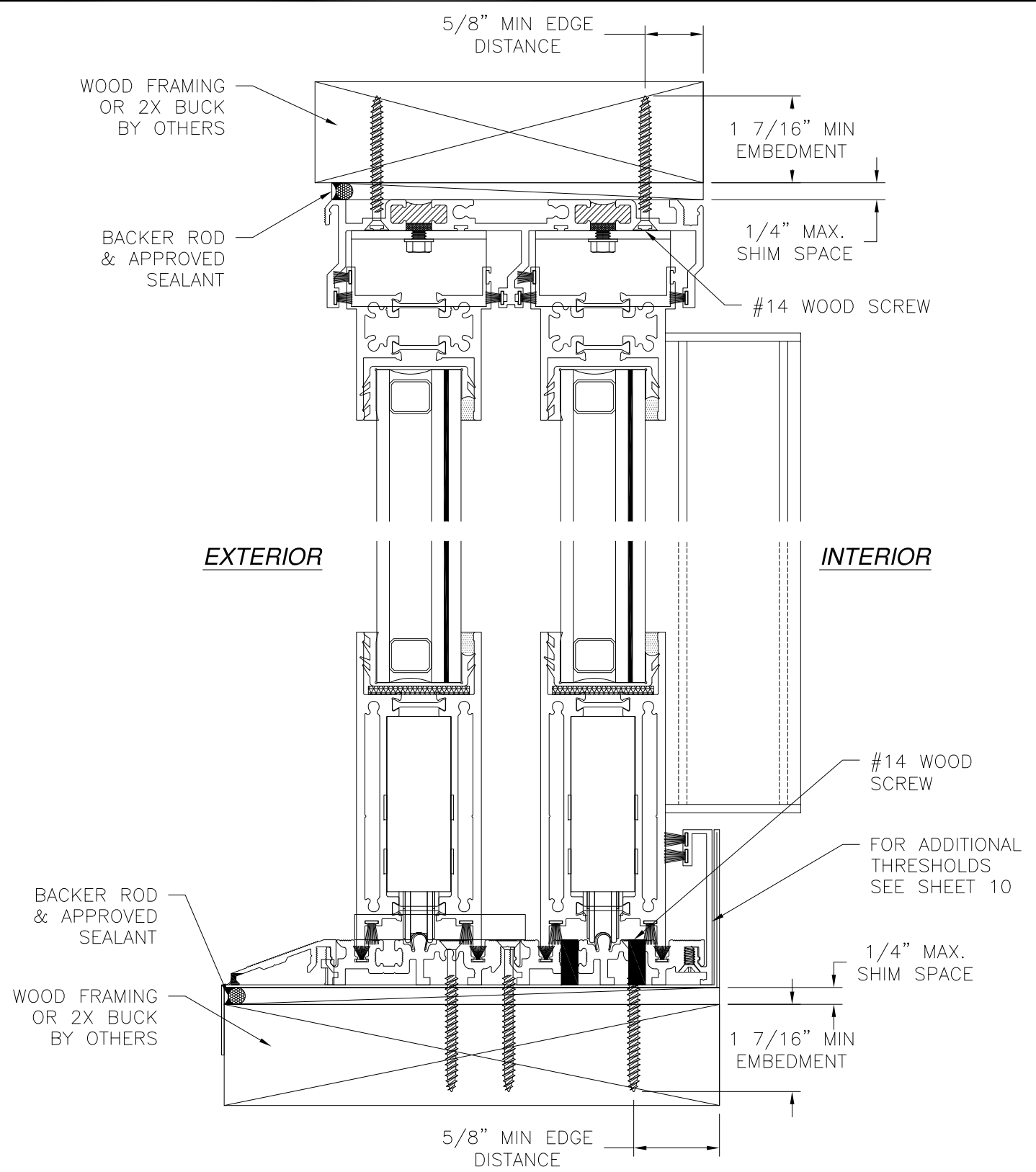
DRAWN: N.G.	DWG NO. 08-02637	REV A
SCALE NTS	DATE 03/12/15	SHEET 4 OF 9

L. ROBERTO LOMAS P.E.
 1432 WOODFORD RD LEWISVILLE, NC 27023
 434-688-0609 rllomas@lrlomaspe.com

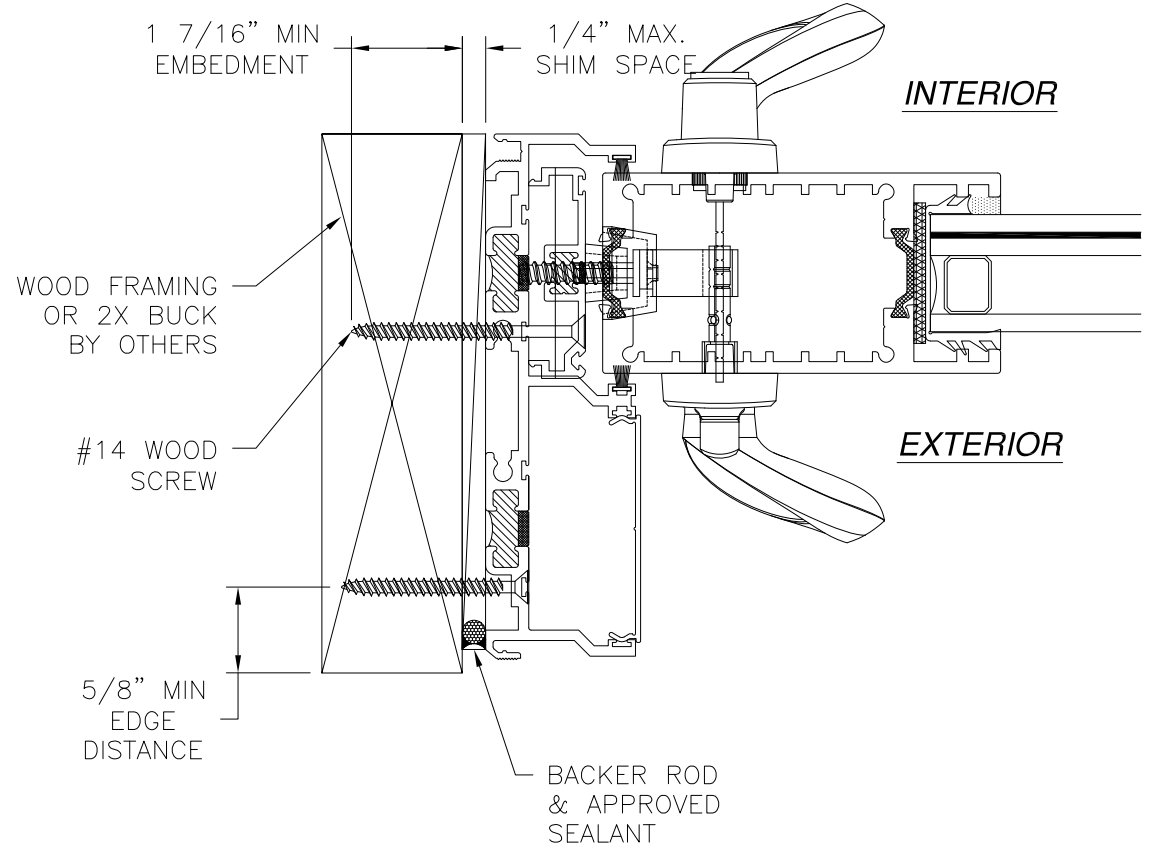


Luis R. Lomas P.E.
 TX No.: 101889

REVISIONS			
REV	DESCRIPTION	DATE	APPROVED
C	REVISED PER NEW REQUIREMENTS	12/11/19	R.L.



VERTICAL CROSS SECTION
WOOD FRAMING OR 2X BUCK INSTALLATION



JAMB INSTALLATION DETAIL
WOOD FRAMING OR 2X BUCK INSTALLATION

- NOTES:**
1. INTERIOR AND EXTERIOR FINISHES, BY OTHERS, NOT SHOWN FOR CLARITY.
 2. PERIMETER AND JOINT SEALANT BY OTHERS TO BE DESIGNED IN ACCORDANCE WITH ASTM E2112

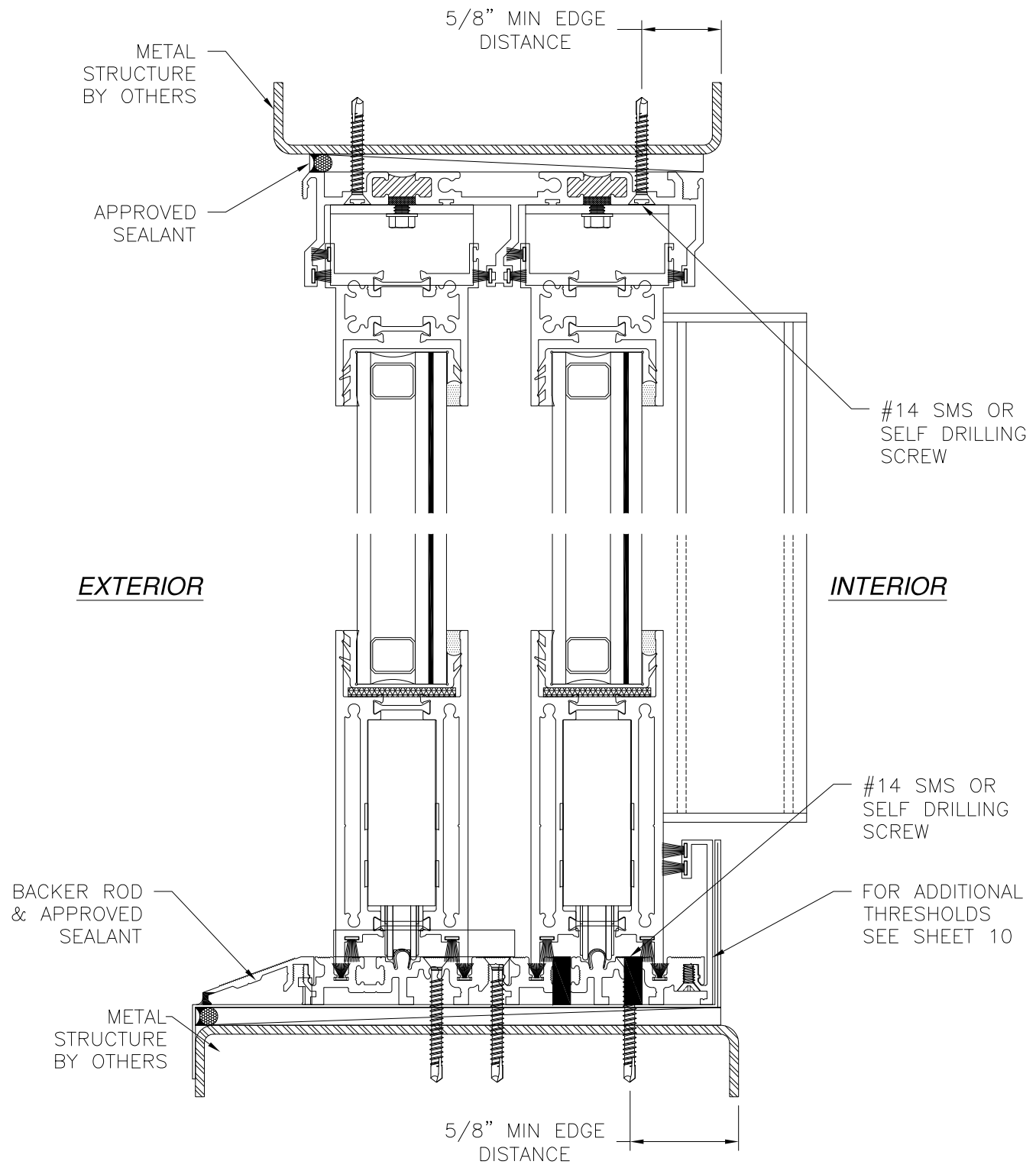
<p>SOLAR INNOVATIONS, INC. 31 ROBERTS RD PINE GROVE, PA 17963</p>		
<p>G3 MULTI TRACK SLIDING GLASS DOOR – IMPACT INSTALLATION DETAILS</p>		
DRAWN: N.G.	DWG NO. 08-02637	REV A
SCALE NTS	DATE 03/12/15	SHEET 5 OF 9
<p>L. ROBERTO LOMAS P.E. 1432 WOODFORD RD LEWISVILLE, NC 27023 434-688-0609 rllomas@rlomaspe.com</p>		

SIGNED: 06/19/2020

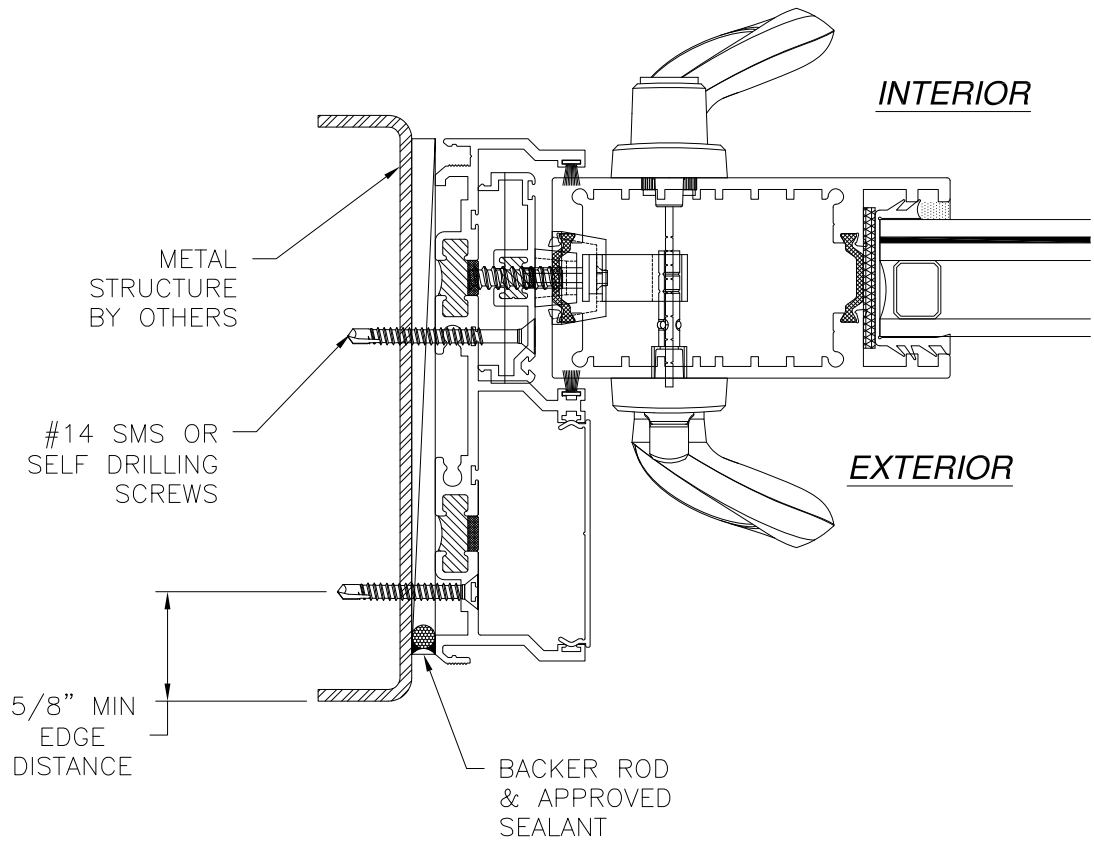


Luis R. Lomas P.E.
TX No.: 101889

REVISIONS			
REV	DESCRIPTION	DATE	APPROVED
C	REVISED PER NEW REQUIREMENTS	12/11/19	R.L.



VERTICAL CROSS SECTION
METAL STRUCTURE INSTALLATION



JAMB INSTALLATION DETAIL
METAL STRUCTURE INSTALLATION

NOTES:
 1. INTERIOR AND EXTERIOR FINISHES, BY OTHERS, NOT SHOWN FOR CLARITY.
 2. PERIMETER AND JOINT SEALANT BY OTHERS TO BE DESIGNED IN ACCORDANCE WITH ASTM E2112

SIGNED: 06/19/2020

SOLAR INNOVATIONS, INC.
 31 ROBERTS RD
 PINE GROVE, PA 17963

G3 MULTI TRACK
 SLIDING GLASS DOOR – IMPACT
 INSTALLATION DETAILS

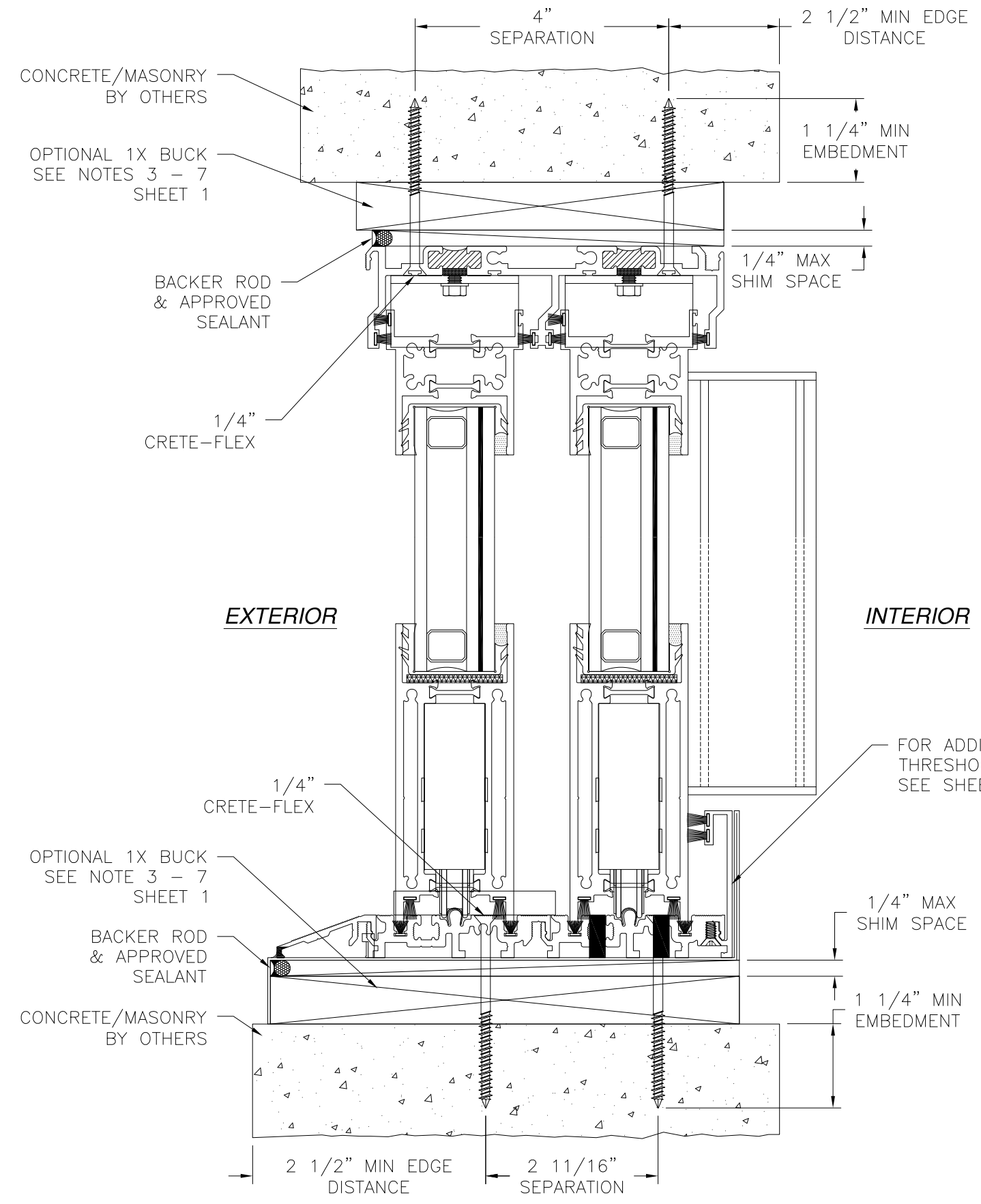
DRAWN: N.G.	DWG NO. 08-02637	REV A
SCALE NTS	DATE 03/12/15	SHEET 6 OF 9

L. ROBERTO LOMAS P.E.
 1432 WOODFORD RD LEWISVILLE, NC 27023
 434-688-0609 rllomas@rlomaspe.com

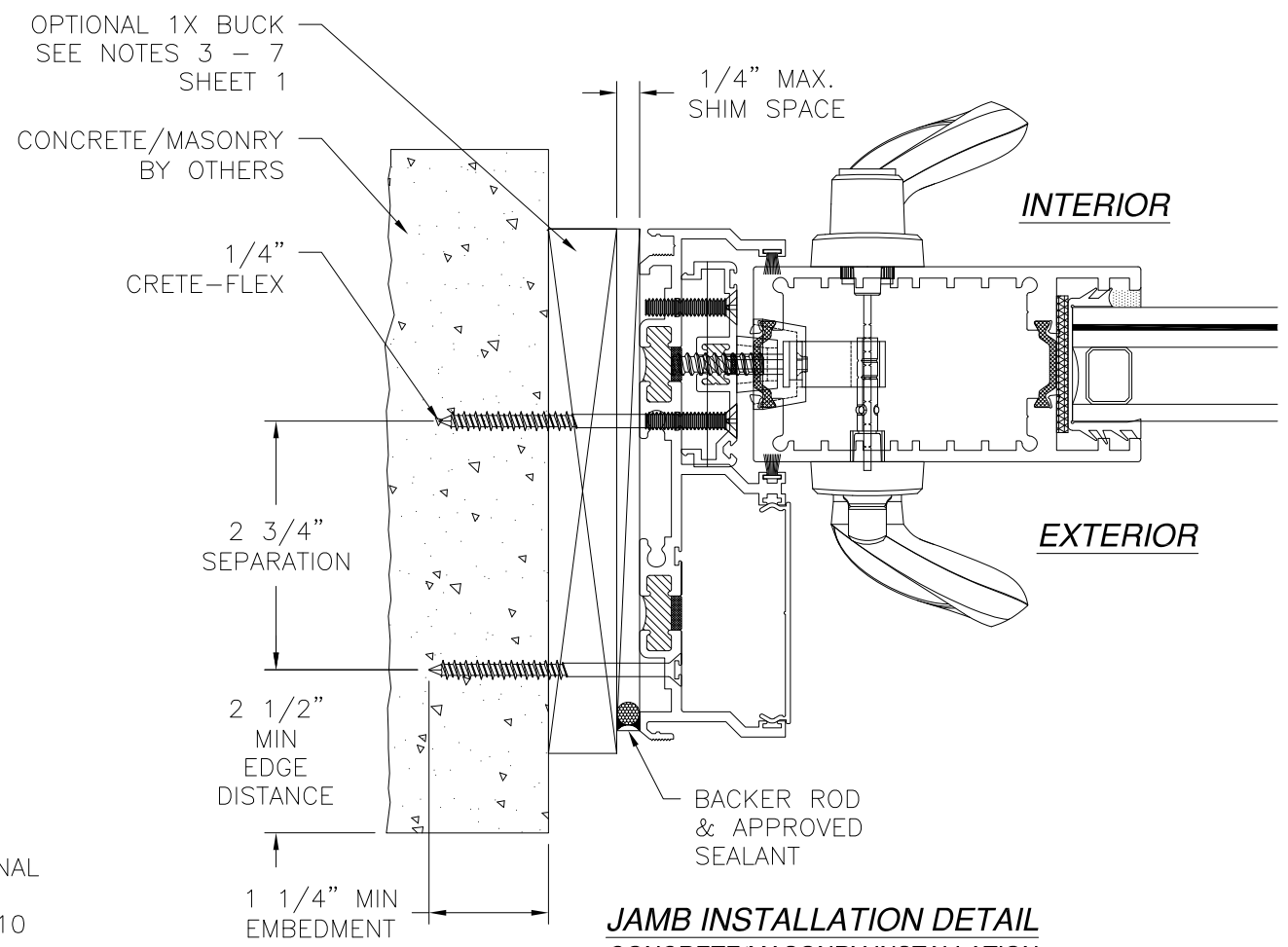


Luis R. Lomas P.E.
 TX No.: 101889

REVISIONS			
REV	DESCRIPTION	DATE	APPROVED
C	REVISED PER NEW REQUIREMENTS	12/11/19	R.L.



VERTICAL CROSS SECTION
CONCRETE/MASONRY INSTALLATION



JAMB INSTALLATION DETAIL
CONCRETE/MASONRY INSTALLATION

- NOTES:**
1. INTERIOR AND EXTERIOR FINISHES, BY OTHERS, NOT SHOWN FOR CLARITY.
 2. PERIMETER AND JOINT SEALANT BY OTHERS TO BE DESIGNED IN ACCORDANCE WITH ASTM E2112

SIGNED: 06/19/2020

SOLAR INNOVATIONS, INC.
31 ROBERTS RD
PINE GROVE, PA 17963

G3 MULTI TRACK
SLIDING GLASS DOOR – IMPACT
INSTALLATION DETAILS

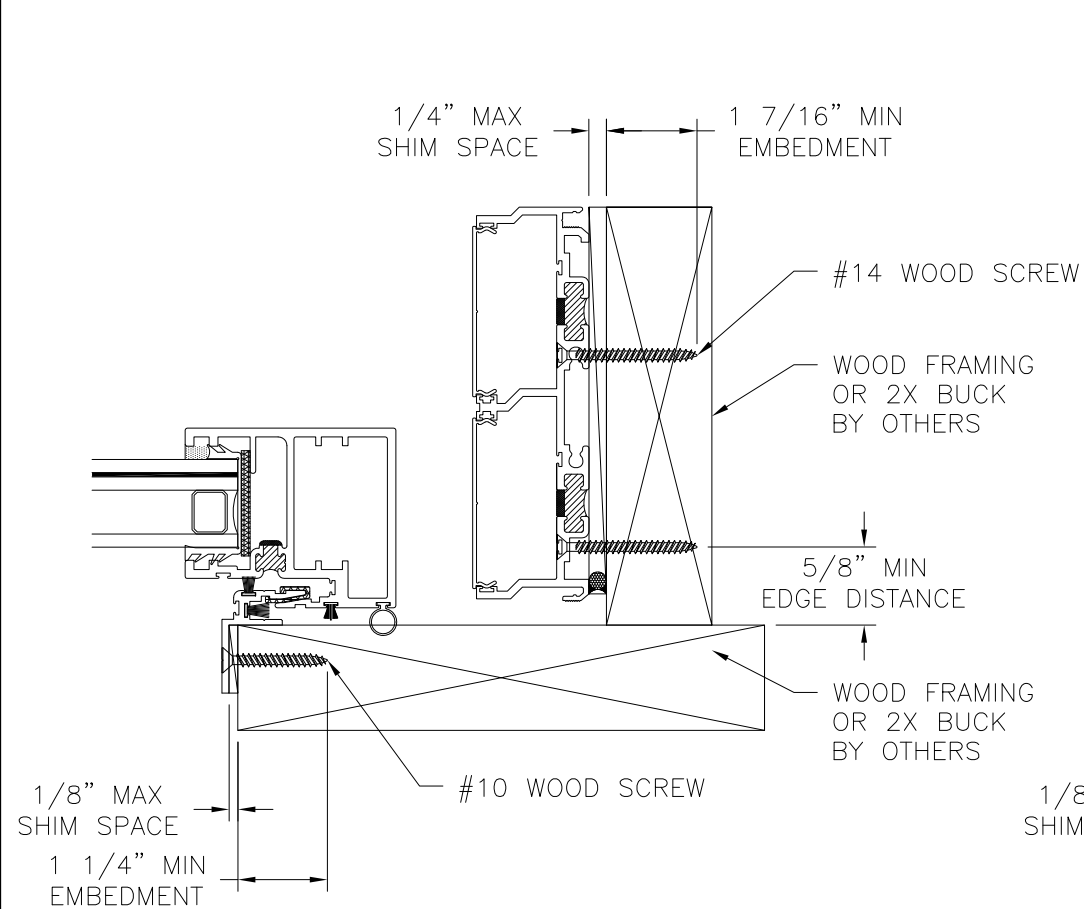
DRAWN: N.G.	DWG NO. 08-02637	REV A
SCALE NTS	DATE 03/12/15	SHEET 7 OF 9

L. ROBERTO LOMAS P.E.
1432 WOODFORD RD LEWISVILLE, NC 27023
434-688-0609 rllomas@rlomaspe.com

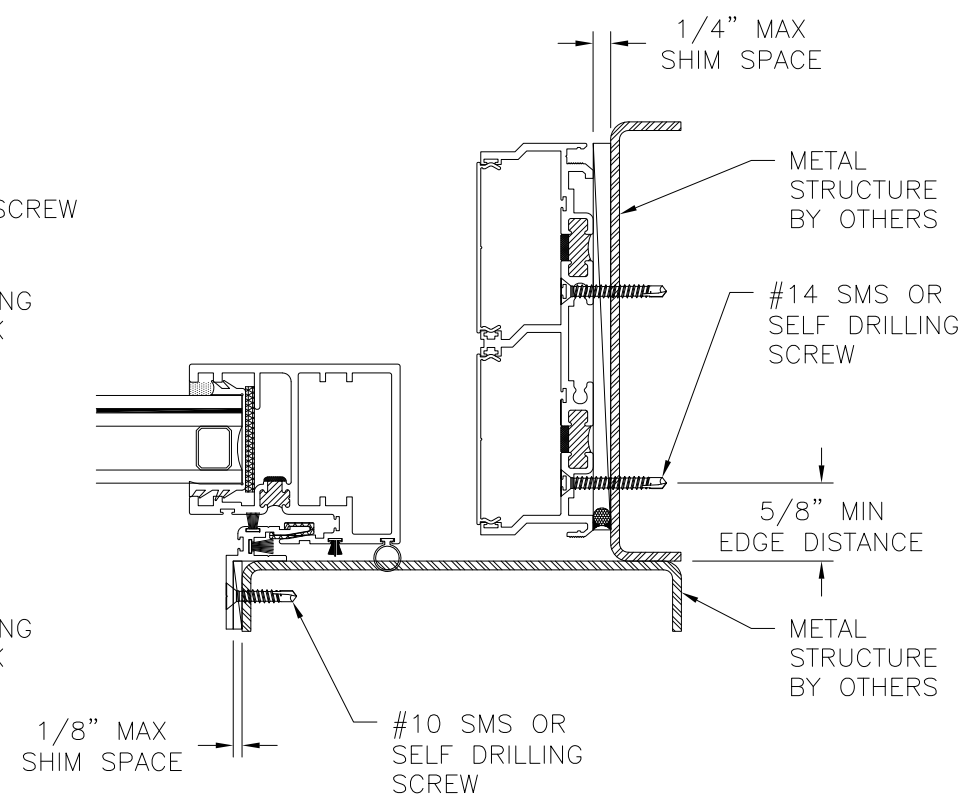


Luis R. Lomas P.E.
TX No.: 101889

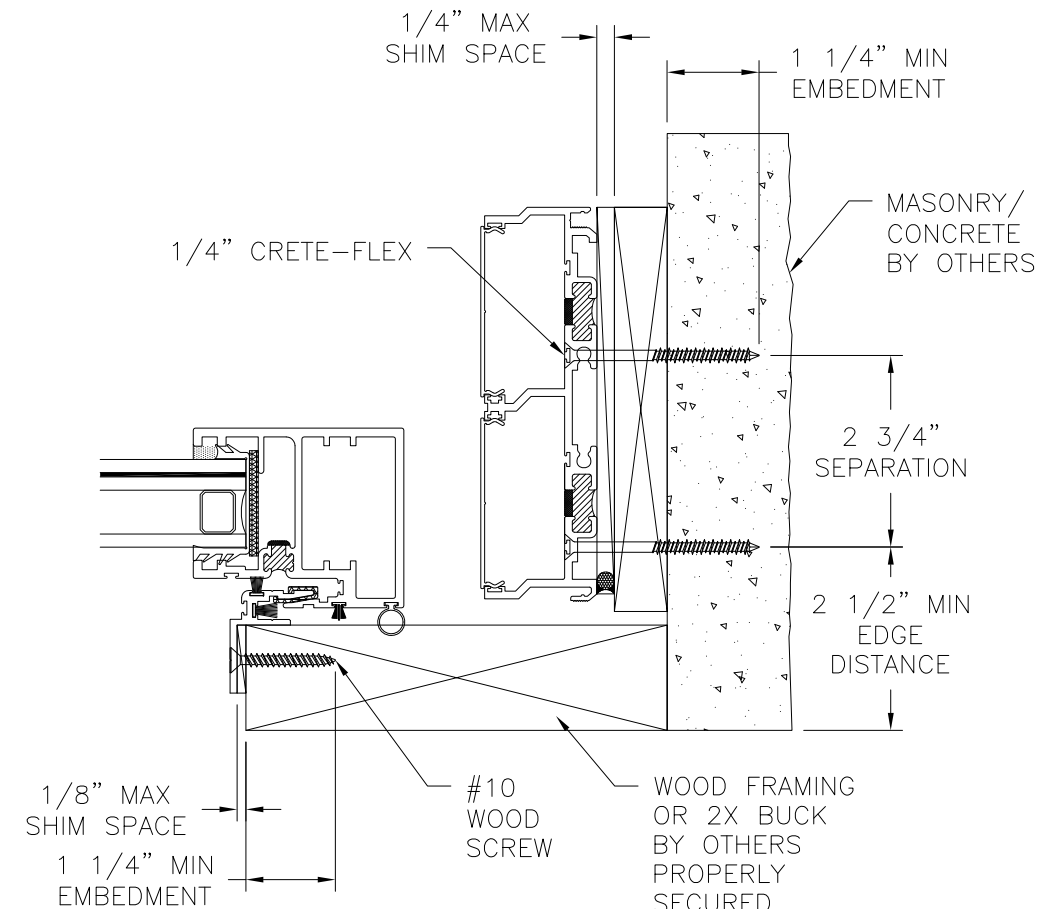
REVISIONS			
REV	DESCRIPTION	DATE	APPROVED
C	REVISED PER NEW REQUIREMENTS	12/11/19	R.L.



JAMB INSTALLATION DETAIL
WOOD FRAMING OR 2X BUCK INSTALLATION



JAMB INSTALLATION DETAIL
METAL STRUCTURE INSTALLATION



JAMB INSTALLATION DETAIL
CONCRETE/MASONRY INSTALLATION

SIGNED: 06/19/2020

SOLAR INNOVATIONS, INC.
31 ROBERTS RD
PINE GROVE, PA 17963

G3 MULTI TRACK
SLIDING GLASS DOOR – IMPACT
POCKET INSTALLATION DETAILS

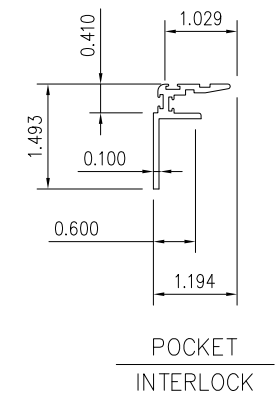
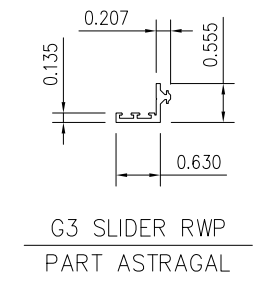
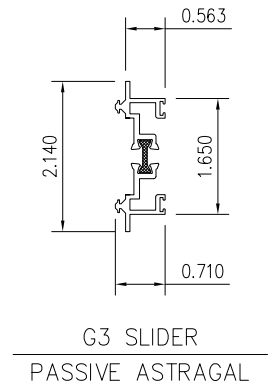
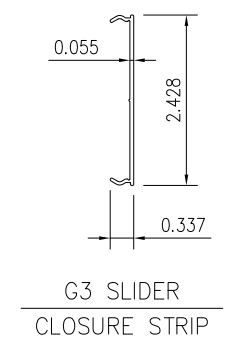
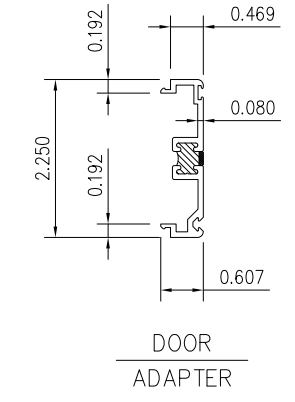
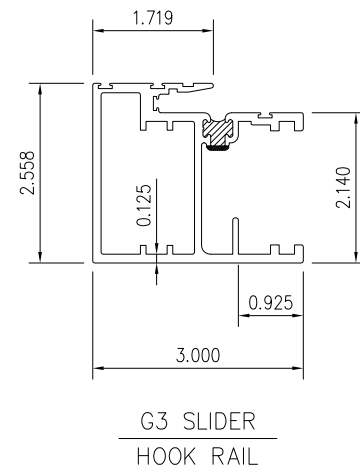
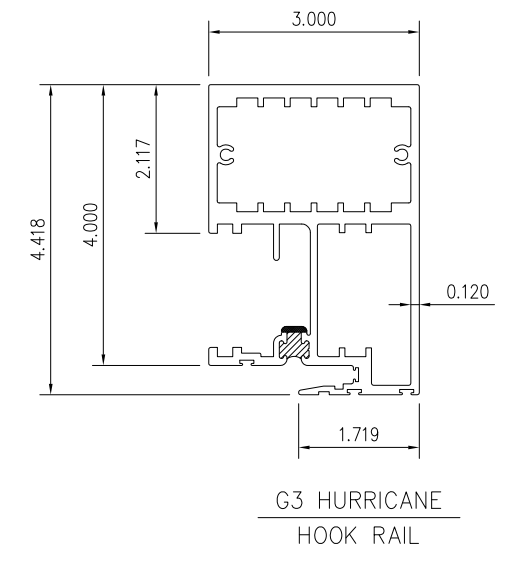
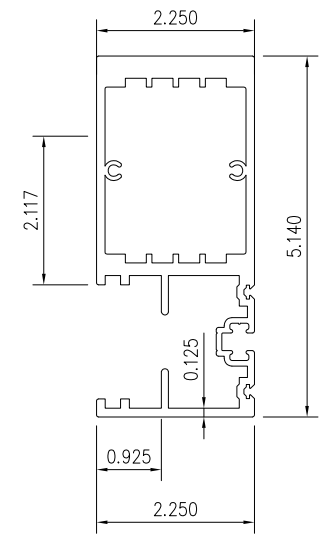
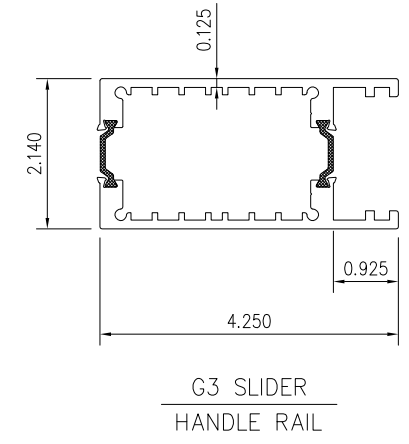
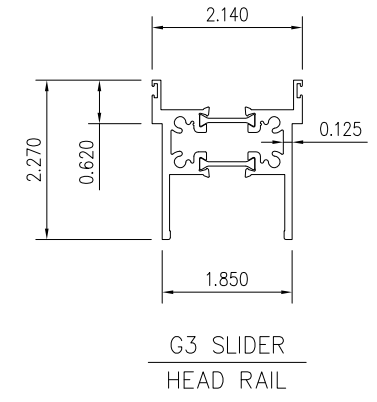
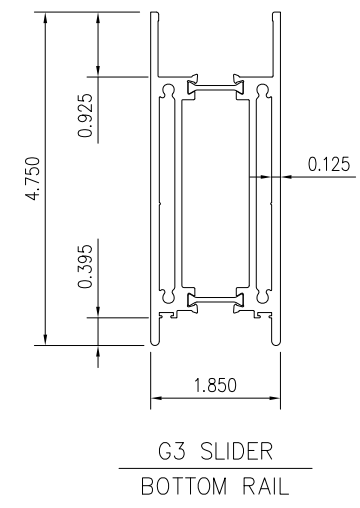
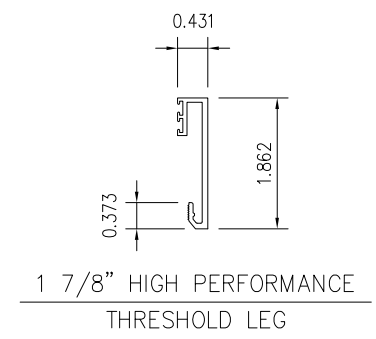
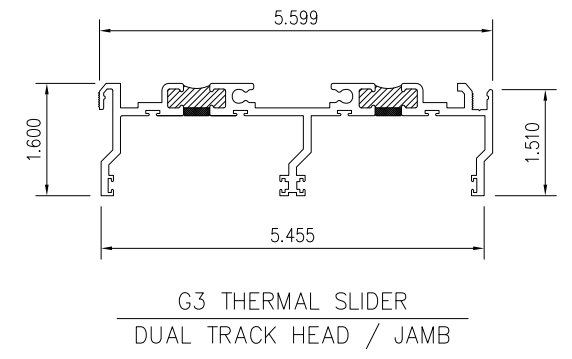
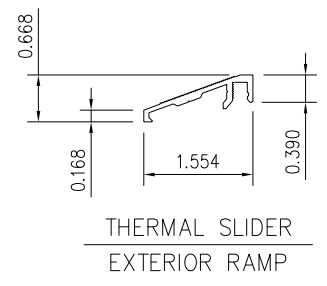
DRAWN: N.G.	DWG NO. 08-02637	REV A
SCALE NTS	DATE 03/12/15	SHEET 8 OF 9

L. ROBERTO LOMAS P.E.
1432 WOODFORD RD LEWISVILLE, NC 27023
434-688-0609 rllomas@rlomaspe.com



Luis R. Lomas P.E.
TX No.: 101889

REVISIONS			
REV	DESCRIPTION	DATE	APPROVED
C	REVISED PER NEW REQUIREMENTS	12/11/19	R.L.



SIGNED: 06/19/2020

SOLAR INNOVATIONS, INC. 31 ROBERTS RD PINE GROVE, PA 17963		
G3 MULTI TRACK SLIDING GLASS DOOR - IMPACT COMPONENTS		
DRAWN: N.G.	DWG NO. 08-02637	REV A
SCALE NTS	DATE 03/12/15	SHEET 9 OF 9
L. ROBERTO LOMAS P.E. 1432 WOODFORD RD LEWISVILLE, NC 27023 434-688-0609 rllomas@lrlomaspe.com		



Luis R. Lomas P.E.
TX No.: 101889