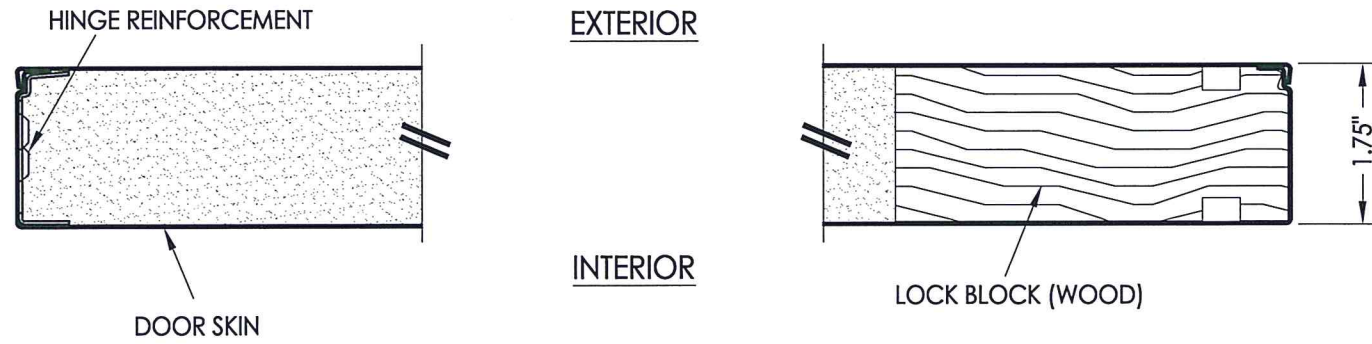


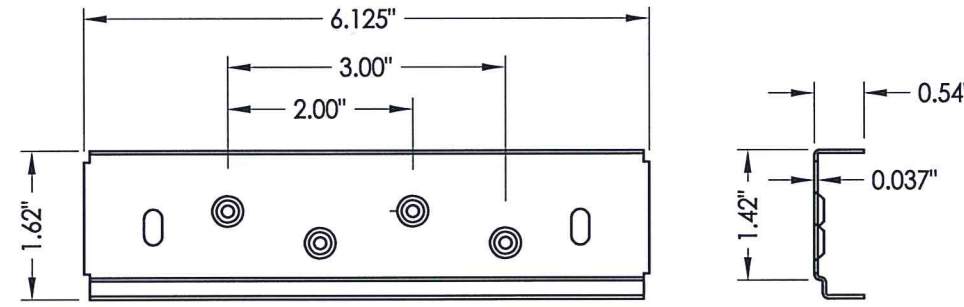
40 STEEL EDGE DOOR PANEL

DOOR SKIN: 0.022" MIN. THK. STEEL
CORE MATERIAL: POLYURETHANE FOAM

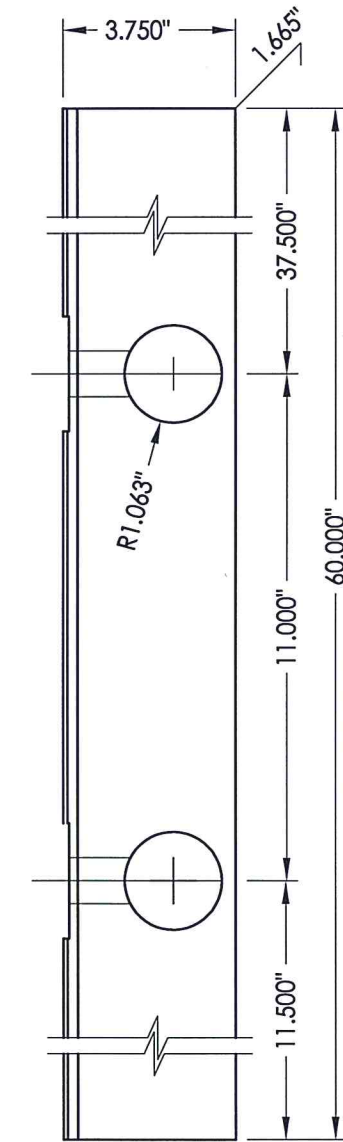
HARDWARE CHART	
MANUFACTURER	MODEL
YALE	KNOB: NEW TRADITIONS DEADBOLT: NEW TRADITIONS (800 SERIES)
SCHLAGE	KNOB/LEVER: "F" SERIES DEADBOLT: B60/62



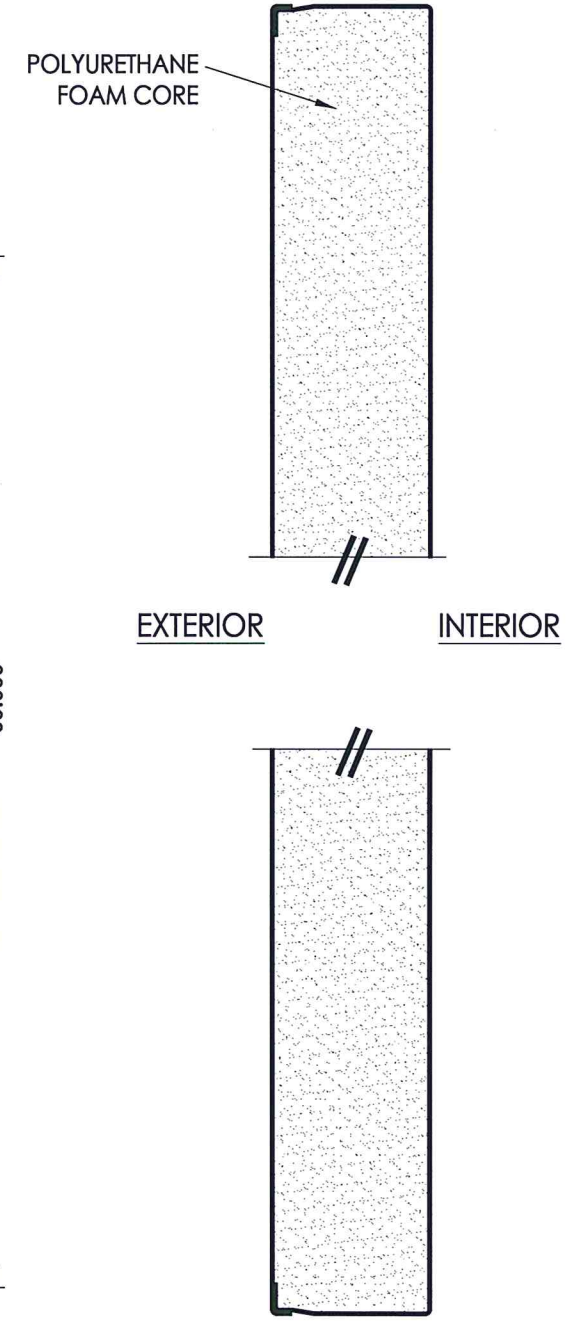
1 HORIZONTAL CROSS SECTION



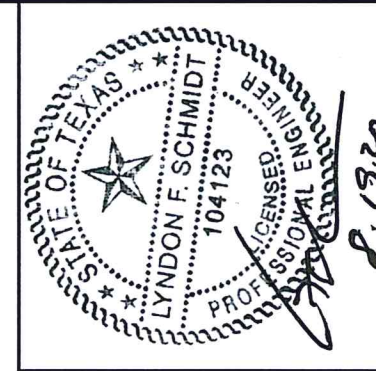
3 HINGE REINFORCEMENT



4 LOCK BLOCK DETAIL



2 VERTICAL CROSS SECTION



Documents Prepared By: Lyndon F. Schmidt, P.E.
TEXAS P.E. #104123

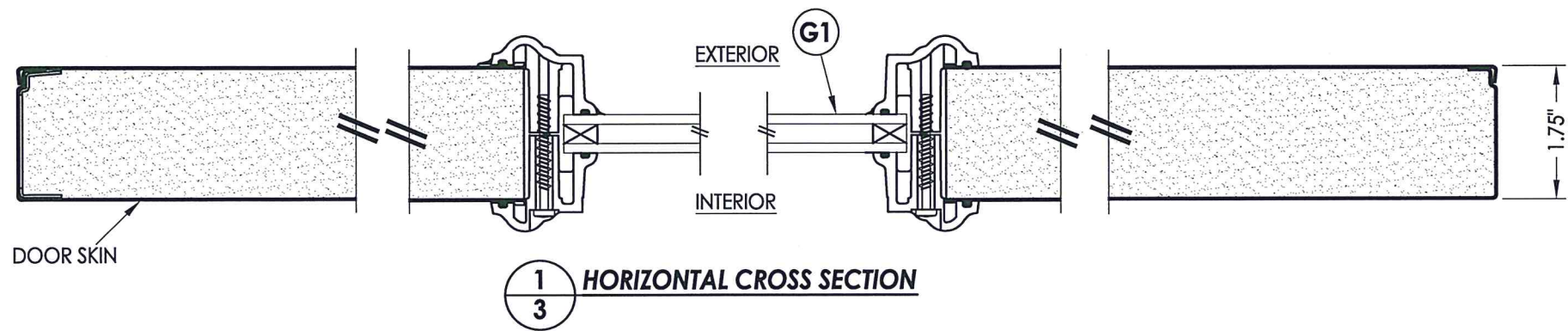
RW BUILDING CONSULTANTS, INC.
P.O. Box 230 Vairico FL 33595
Phone No.: 813.659.9197

TEXAS BOARD OF PROFESSIONAL ENGINEERS
CERTIFICATE OF REGISTRATION # F-11852

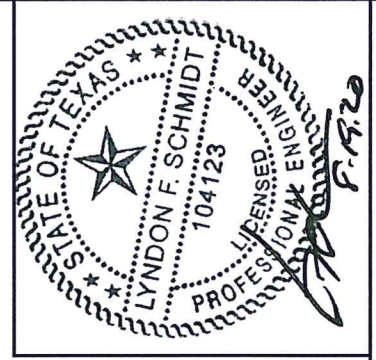
PRODUCT:	TAYLOR DOOR STEEL DOOR
PART OR ASSEMBLY:	DOOR PANEL DETAILS

NO.	DATE	DESCRIPTION	BY
1	8/19/20	UPDATE TO 2018 IBC/IRC CODE	LFS
REVISIONS			

DATE: 11/3/14
SCALE: N.T.S.
DWG. BY: JK
CHK. BY: LFS
DRAWING NO.: TX-4501
SHEET 2 OF 8



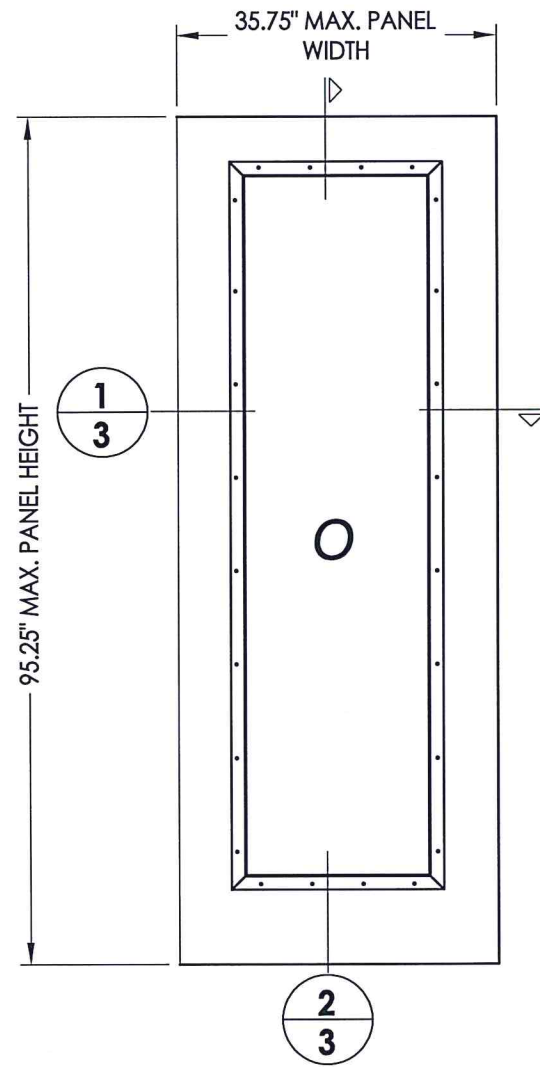
1
3 HORIZONTAL CROSS SECTION



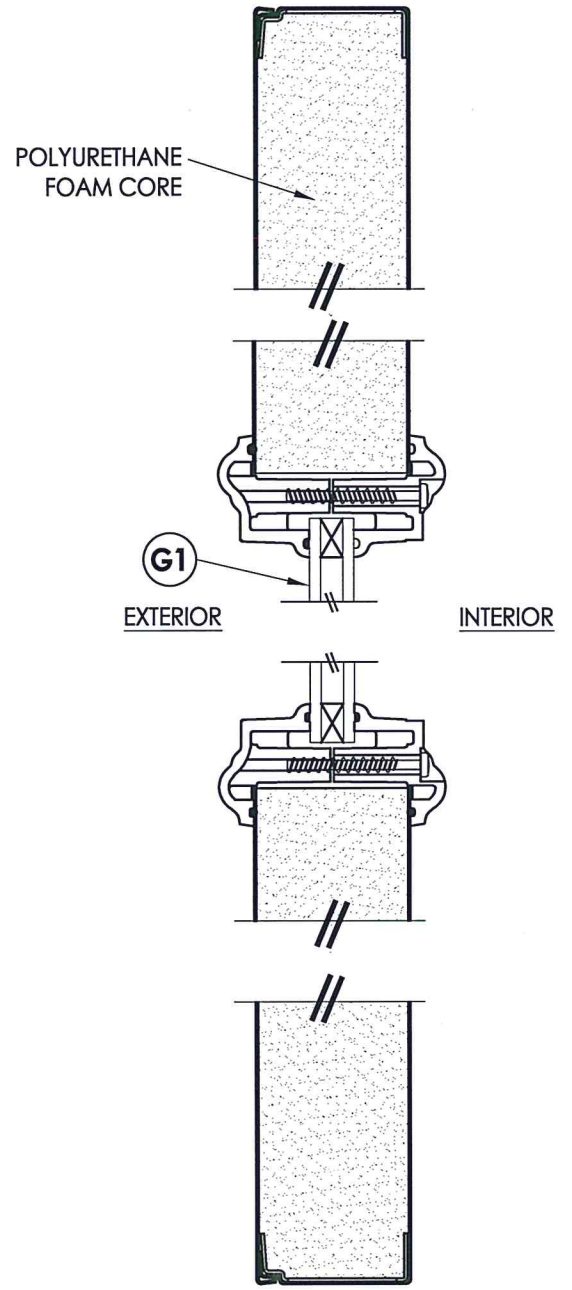
Documents Prepared By: Lyndon F. Schmidt, P.E.
TEXAS P.E. #104123

RW BUILDING CONSULTANTS, INC.
P.O. Box 230 Vairico FL 33595
Phone No.: 813.659.9197

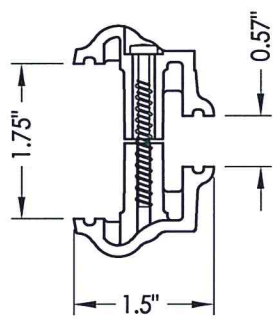
TEXAS BOARD OF PROFESSIONAL ENGINEERS
CERTIFICATE OF REGISTRATION # F-11852



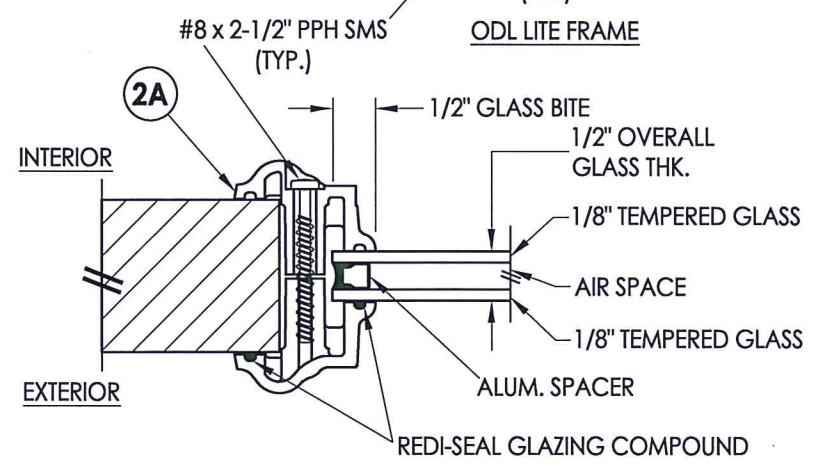
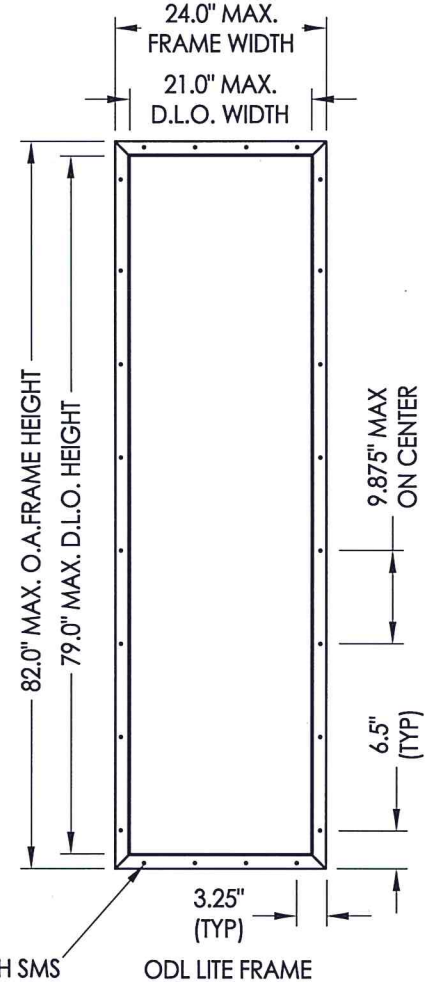
50 TAYLOR DOOR SIDELITE PANEL



2
3 VERTICAL CROSS SECTION



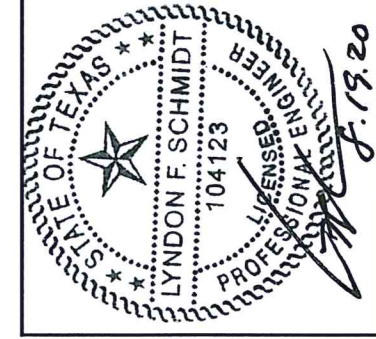
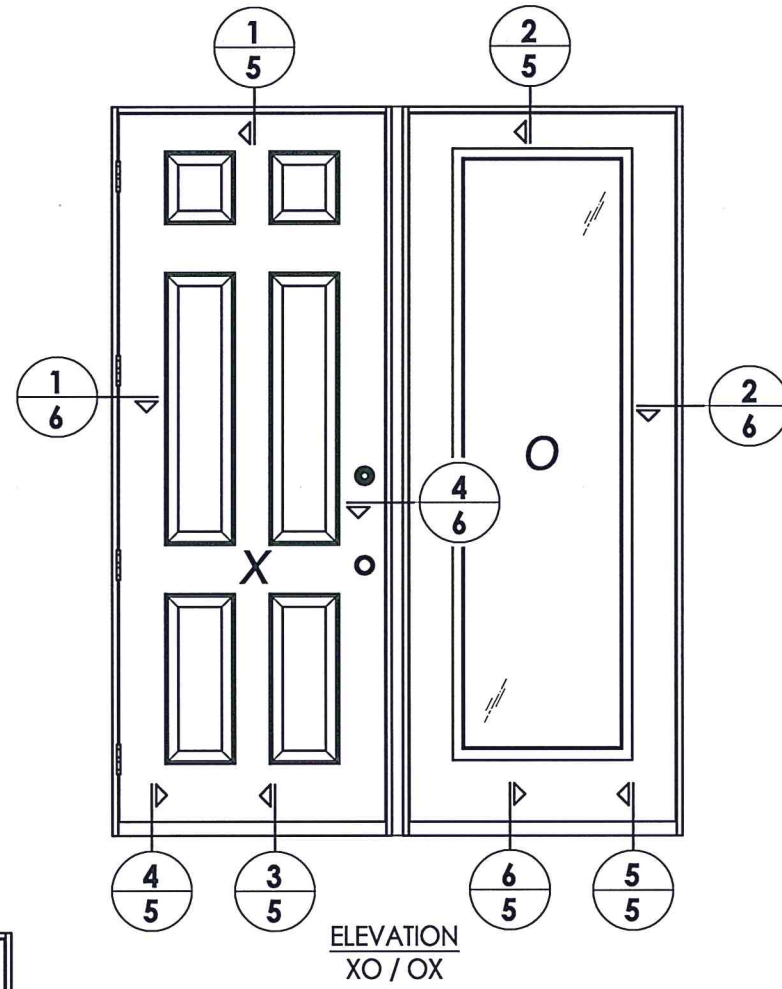
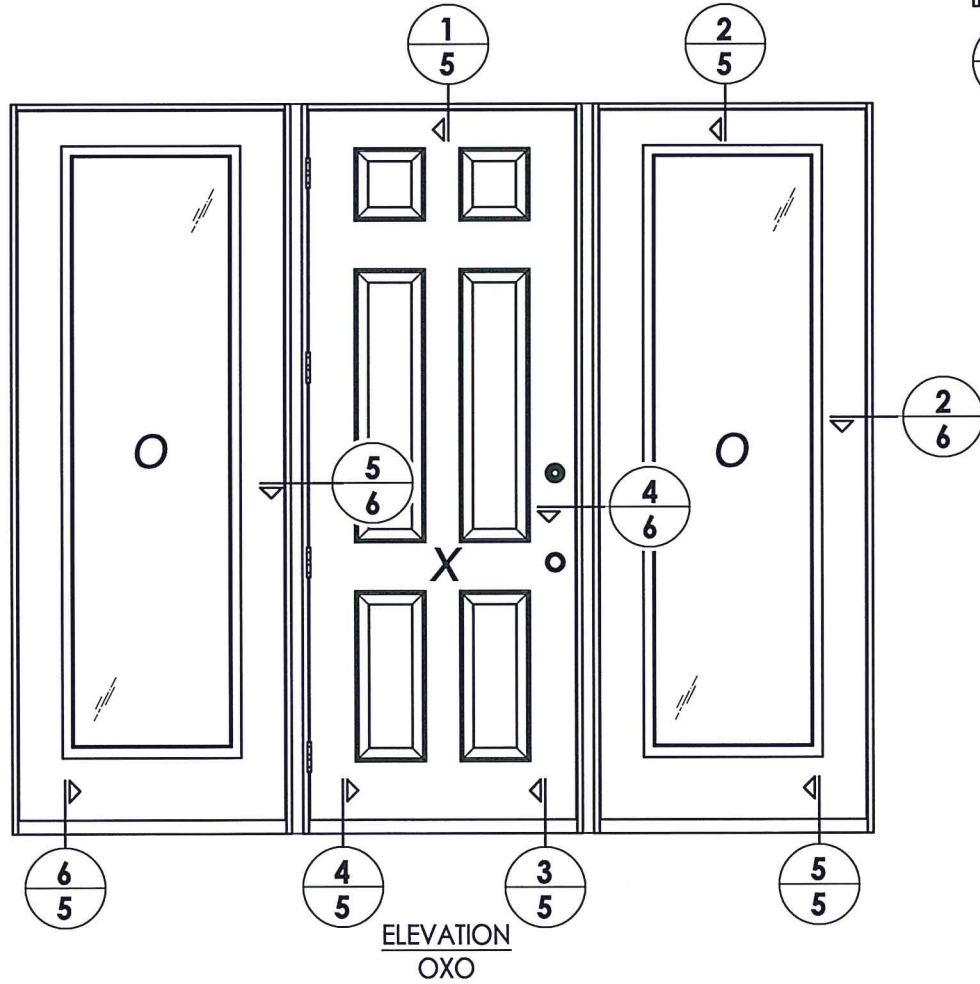
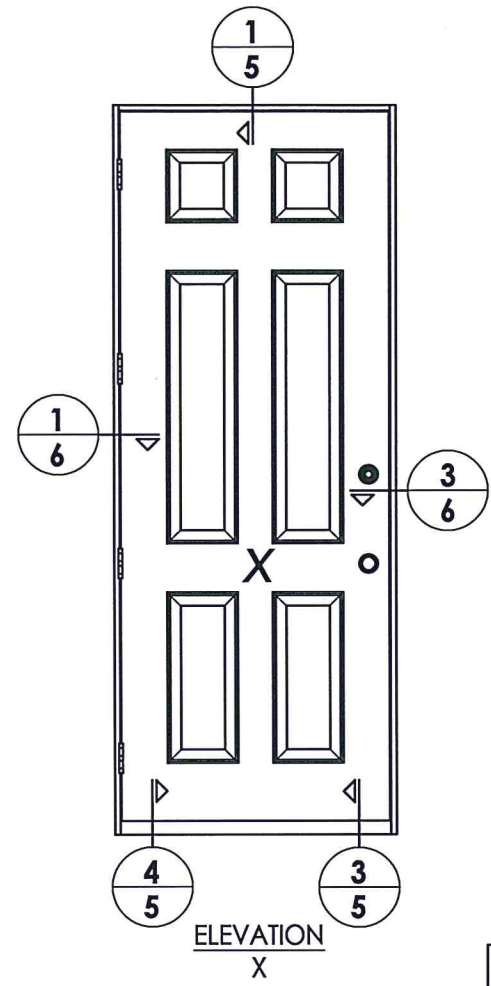
2A OD LITE FRAME
HP Polypropylene



G1 GLAZING DETAIL

DOOR SKIN: 0.022" MIN. THK. STEEL
CORE MATERIAL: POLYURETHANE FOAM

PRODUCT:	TAYLOR DOOR STEEL DOOR	
PART OR ASSEMBLY:	DOOR & SIDELITE PANEL DETAILS	
NO.	DATE	REVISIONS
1	8/19/20	UPDATE TO 2018 IBC/IRC CODE
LFS		BY
DATE	11/3/14	
SCALE:	N.T.S.	
DWG. BY:	JK	
CHK. BY:	LFS	
DRAWING NO.:	TX-4501	
SHEET	3	OF 8



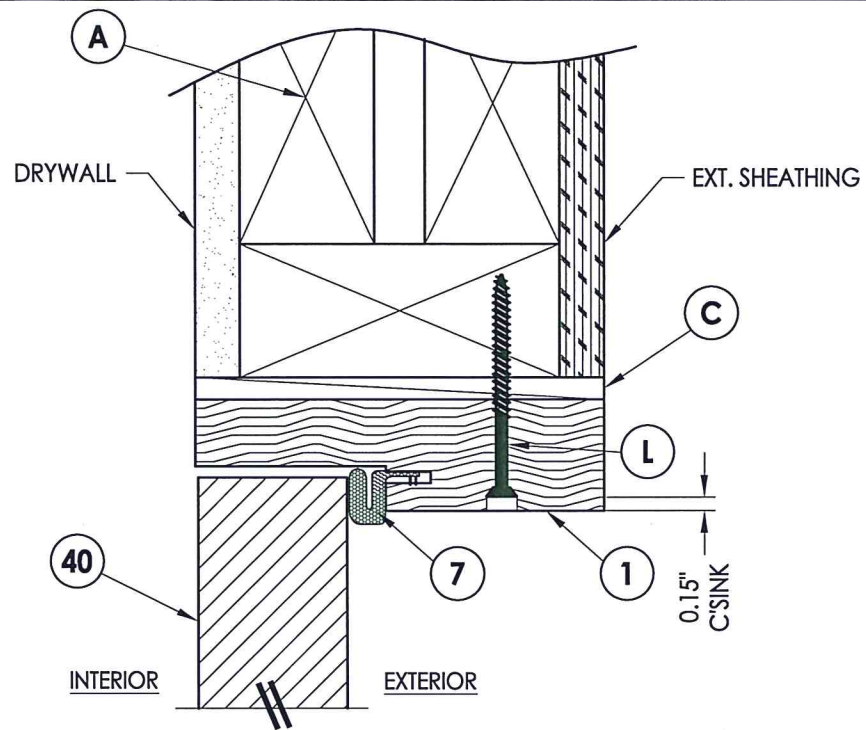
Documents Prepared By: Lyndon F. Schmidt, P.E.
TEXAS P.E. #104123

RW BUILDING CONSULTANTS, INC.
P.O. Box 230 Valrico FL 33595
Phone No.: 813.659.9197
TEXAS BOARD OF PROFESSIONAL ENGINEERS
CERTIFICATE OF REGISTRATION # F-11852

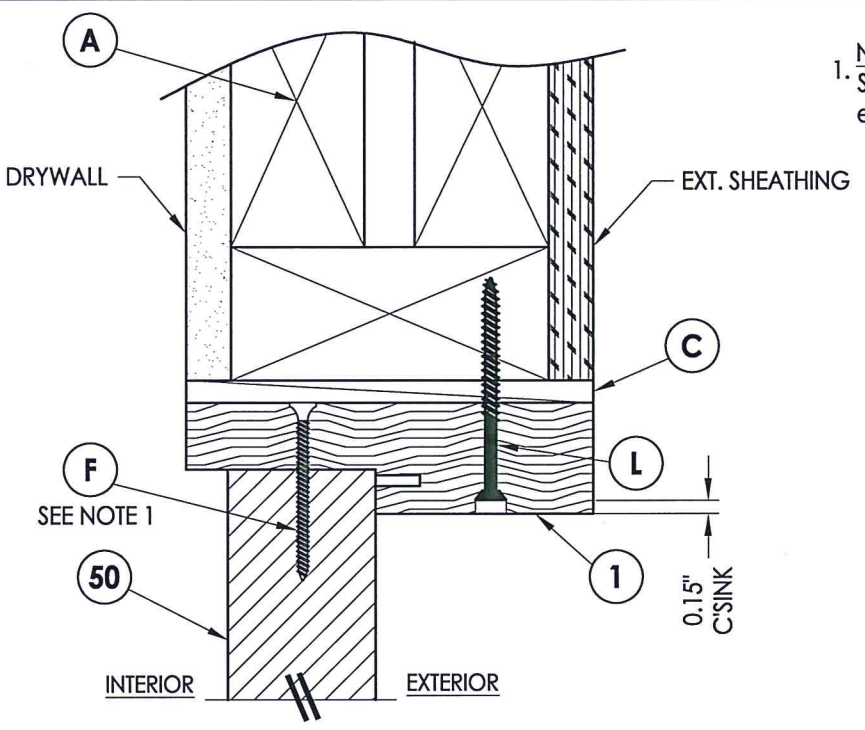
PRODUCT: TAYLOR DOOR
STEEL DOOR
PART OR ASSEMBLY:
ELEVATIONS

NO.	DATE	DESCRIPTION	BY
1	8/19/20	UPDATE TO 2018 IBC/IRC CODE	LFS

DATE: 11/3/14
SCALE: N.T.S.
DWG. BY: JK
CHK. BY: LFS
DRAWING NO.: TX-4501
SHEET 4 OF 8

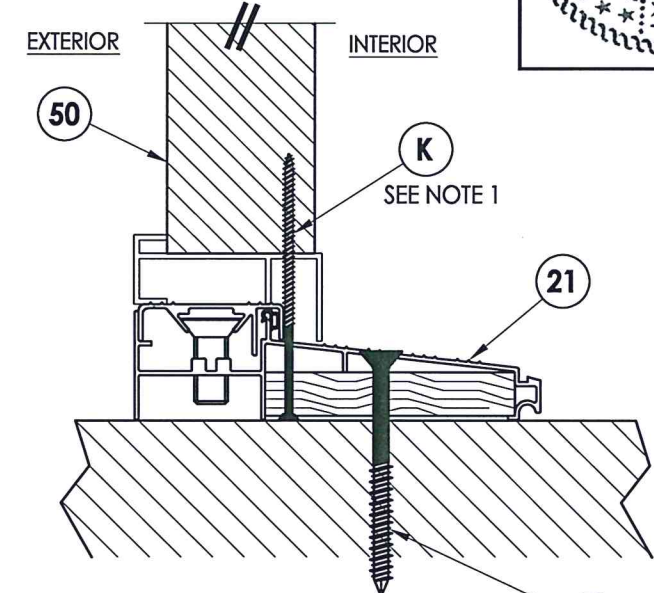


1 VERTICAL CROSS SECTION
5 Inswing shown (Outswing similar)

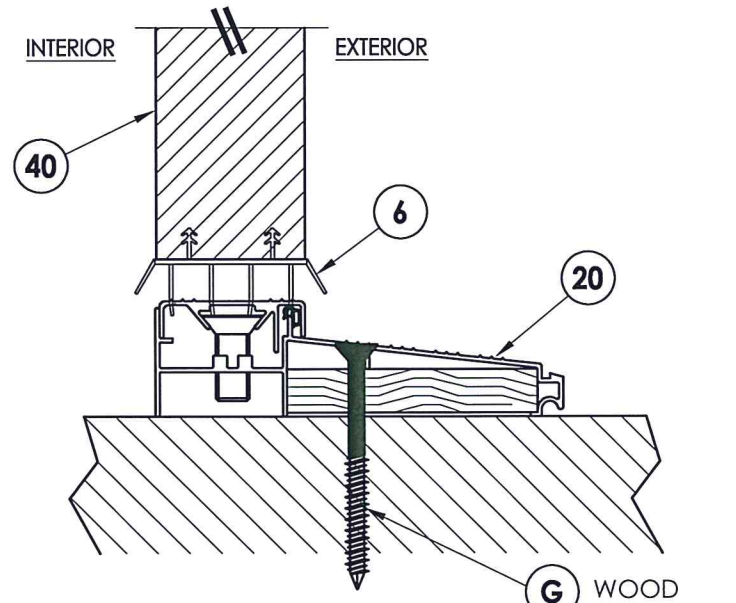


2 VERTICAL CROSS SECTION
5 Inswing shown (Outswing similar)

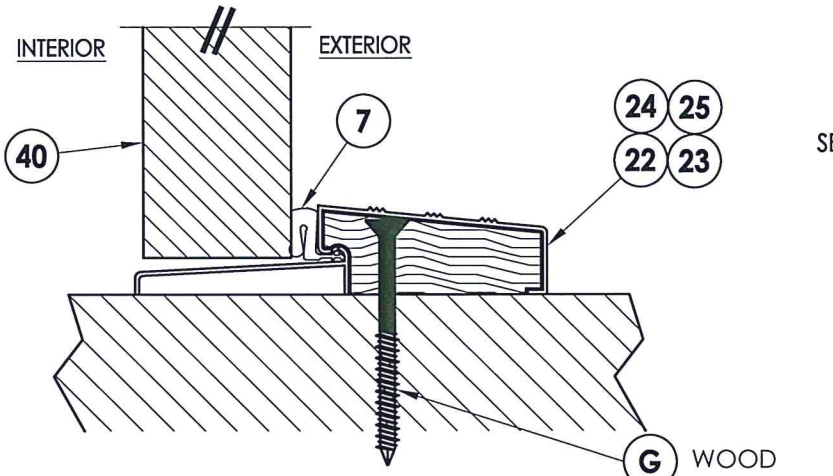
NOTE:
1. Spacing for item F or K @ head & sill: 6" from each end plus 1 @ centerline (3 total).



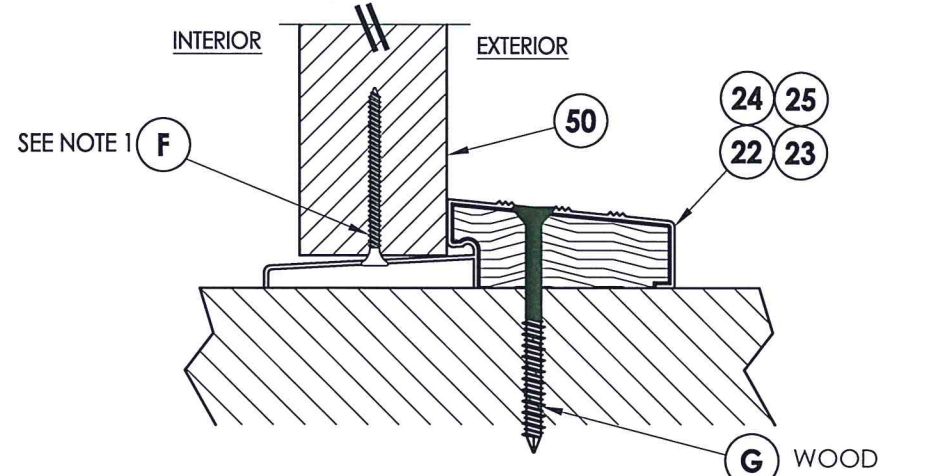
5 VERTICAL CROSS SECTION
5 Inswing sill



3 VERTICAL CROSS SECTION
5 Inswing sill



4 VERTICAL CROSS SECTION
5 Outswing sill



6 VERTICAL CROSS SECTION
5 Outswing sill

Documents Prepared By: Lyndon F. Schmidt, P.E.
TEXAS P.E. #104123

RW BUILDING CONSULTANTS, INC.
P.O. Box 230 Valrico FL 33595
Phone No.: 813.659.9197

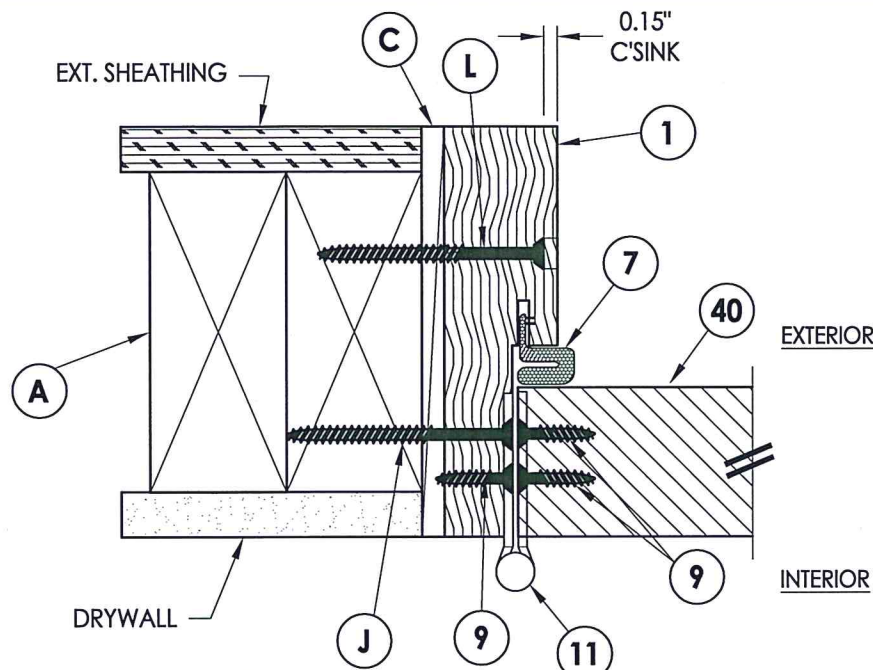
TEXAS BOARD OF PROFESSIONAL ENGINEERS
CERTIFICATE OF REGISTRATION # F-11852

PRODUCT: TAYLOR DOOR
STEEL DOOR

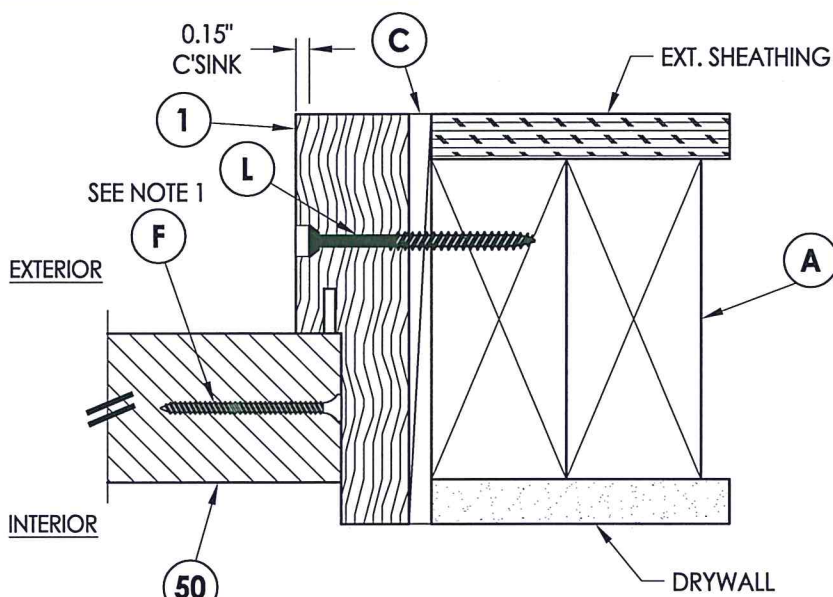
PART OR ASSEMBLY:
VERTICAL CROSS
SECTIONS

NO.	DATE	DESCRIPTION	BY
1	8/19/20	UPDATE TO 2018 IBC/IRC CODE	LFS

DATE: 11/3/14
SCALE: N.T.S.
DWG. BY: JK
CHK. BY: LFS
DRAWING NO.: TX-4501
SHEET 5 of 8

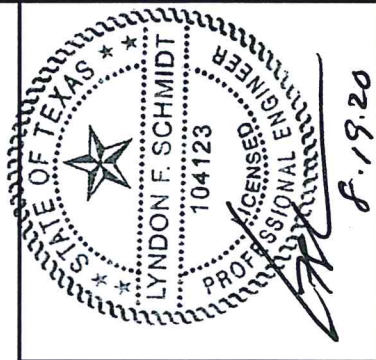


1
6 **HORIZONTAL CROSS SECTION**
Inswing shown (Outswing similar)



2
6 **HORIZONTAL CROSS SECTION**
Inswing shown (Outswing similar)

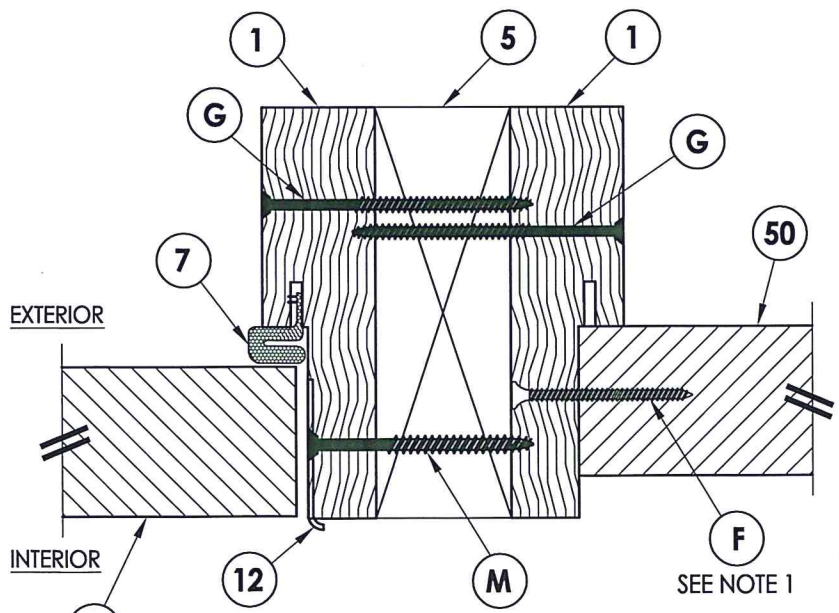
NOTE:
1. Spacing for item F: 6" from each end and 6 more equally spaced along sidelite jamb (8 total).



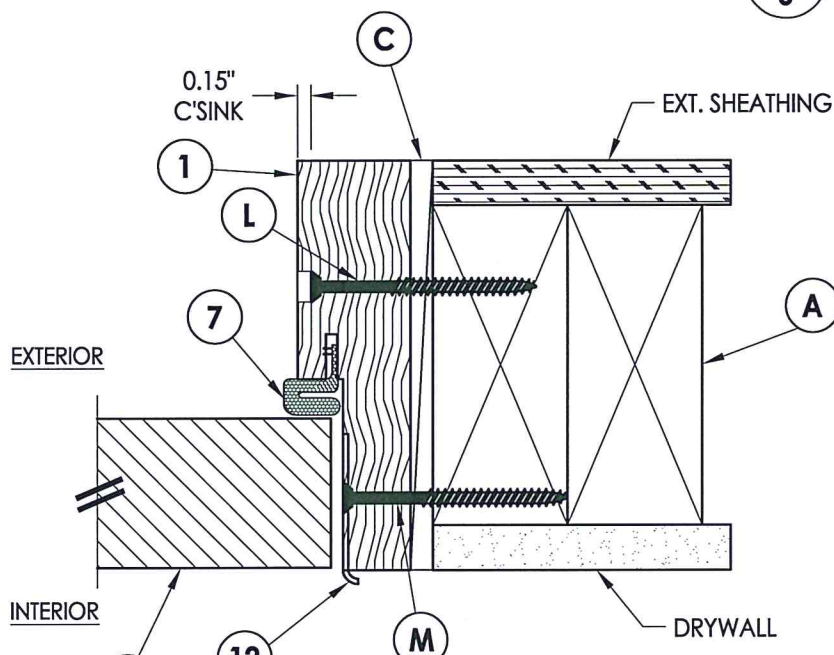
Documents Prepared By: Lyndon F. Schmidt, P.E.
TEXAS P.E. #104123

RW BUILDING CONSULTANTS, INC.
P.O. Box 230 Vairico FL 33595
Phone No.: 813.659.9197

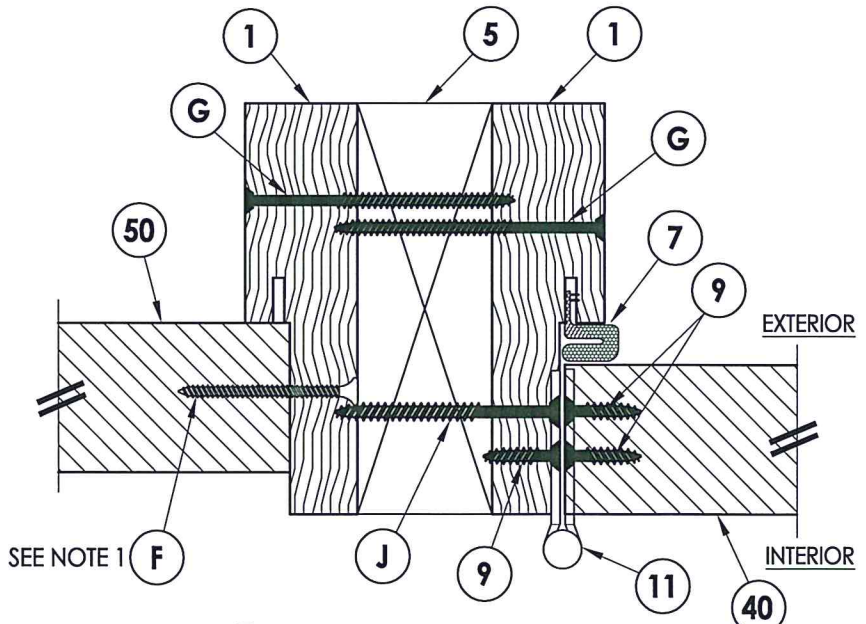
TEXAS BOARD OF PROFESSIONAL ENGINEERS
CERTIFICATE OF REGISTRATION # F-11852



4
6 **HORIZONTAL CROSS SECTION**
Inswing shown (Outswing similar)

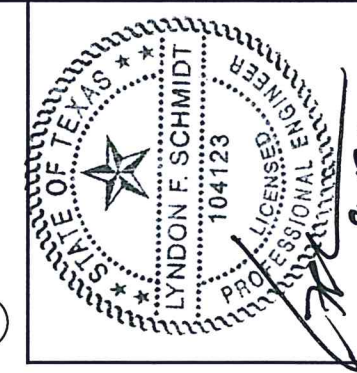
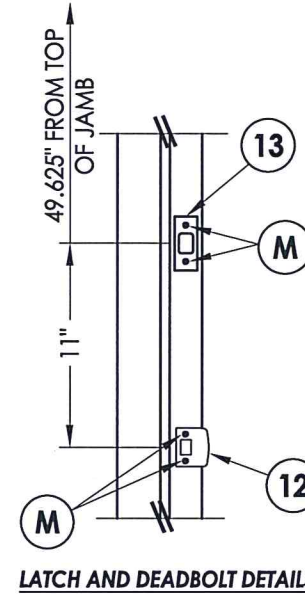
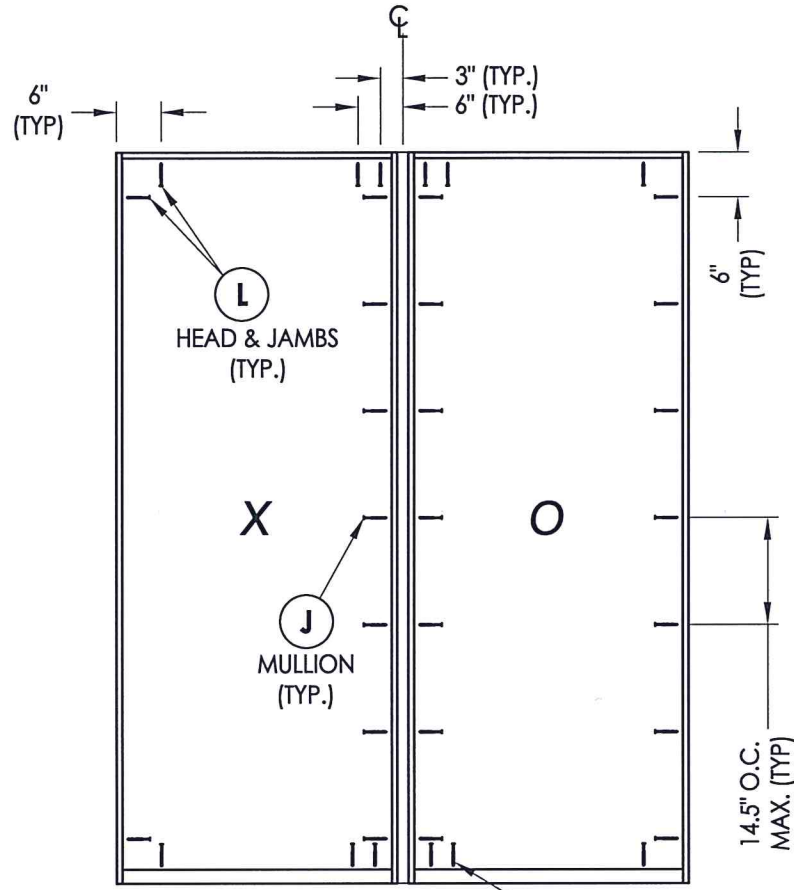
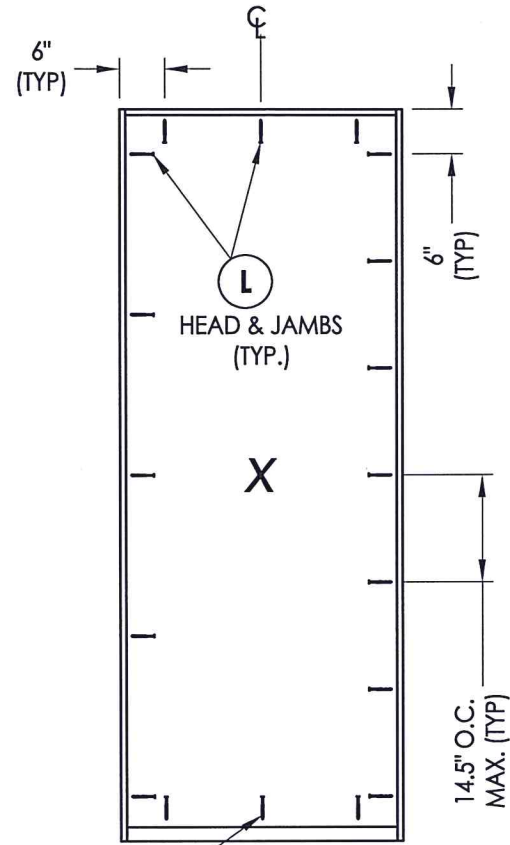


3
6 **HORIZONTAL CROSS SECTION**
Inswing shown (Outswing similar)



5
6 **HORIZONTAL CROSS SECTION**
Inswing shown (Outswing similar)

PRODUCT: TAYLOR DOOR STEEL DOOR		PART OR ASSEMBLY: HORIZONTAL CROSS SECTIONS	
NO.	DATE	UPDATE TO 2018 IBC/IRC CODE	BY
1	8/19/20	LFS	LFS
REVISIONS			
DATE: 11/3/14			
SCALE: N.T.S.			
DWG. BY: JK			
CHK. BY: LFS			
DRAWING NO.: TX-4501			
SHEET 6 OF 8			

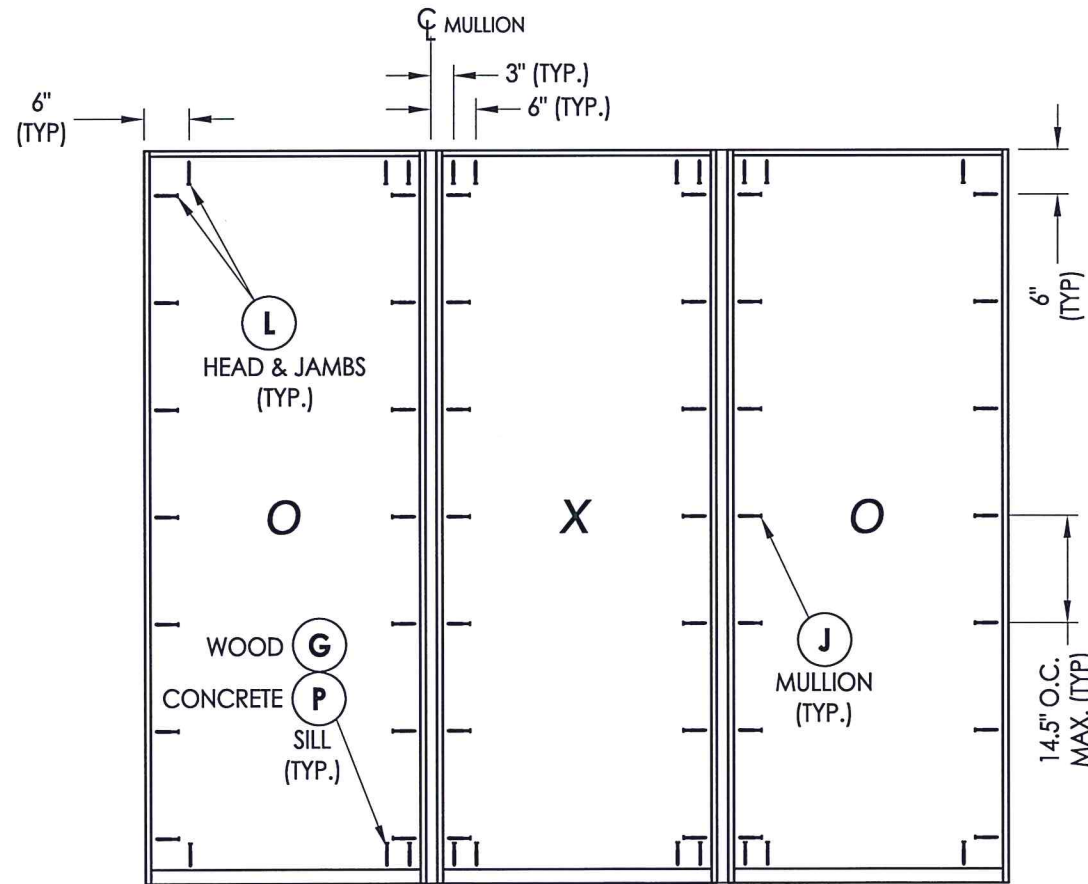


Documents Prepared By: Lyndon F. Schmidt, P.E.
TEXAS P.E. #104123

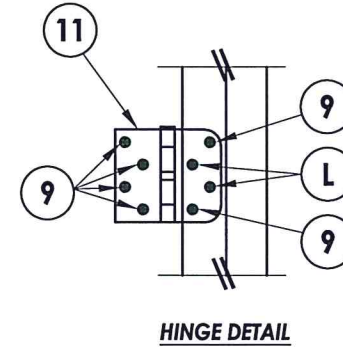
RW BUILDING CONSULTANTS, INC.
P.O. Box 230 Valrico FL, 33595
Phone No.: 813.659.9197

TEXAS BOARD OF PROFESSIONAL ENGINEERS
CERTIFICATE OF REGISTRATION # F-11852

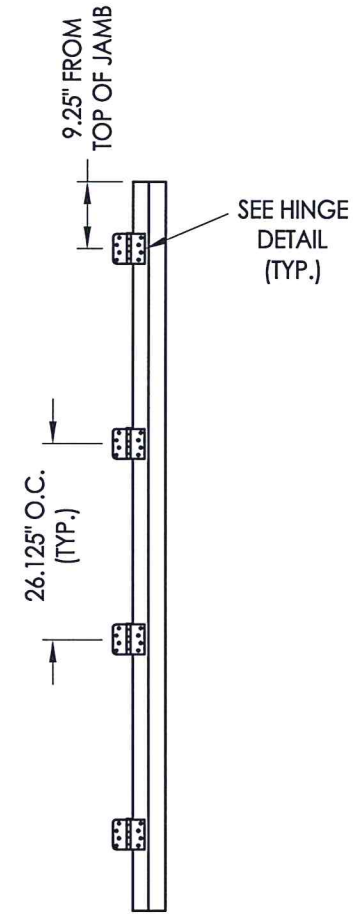
(G) WOOD
(P) CONCRETE
SILL (TYP.)



(G) WOOD
(P) CONCRETE
SILL (TYP.)



HINGE DETAIL



HINGE JAMB

FRAME ANCHORING
2X stud framing
w/ wood/concrete substrate

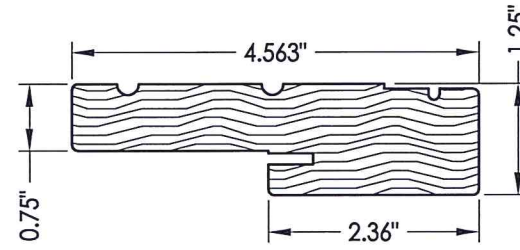
PRODUCT: TAYLOR DOOR
STEEL DOOR

PART OR ASSEMBLY:
FRAME ANCHORING
& HARDWARE DETAILS

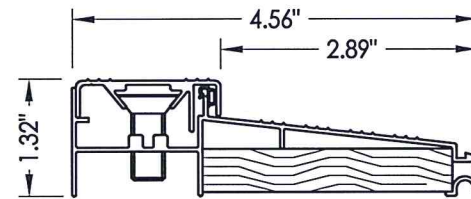
NO.	DATE	REVISIONS
1	8/19/20	UPDATE TO 2018 IBC/IRC CODE
		LFS
		BY

DATE: 11/3/14
SCALE: N.T.S.
DWG. BY: JK
CHK. BY: LFS
DRAWING NO.: TX-4501
SHEET 7 OF 8

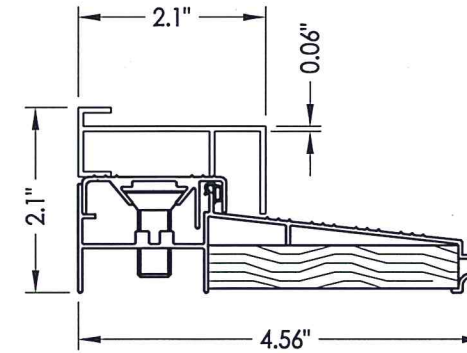
BILL OF MATERIALS		
ITEM #	DESCRIPTION	MATERIAL
A	2X FRAMING (SG >= 0.42)	WOOD
C	1/4" MAX. SHIM SPACE	-
F	#7 X 2" PFH DRYWALL SCREW	STEEL
G	#10 X 3" PFH WOOD SCREW (1-1/2" MIN. EMB.)	STEEL
J	#10 X 2-1/2" PFH WOOD SCREW	STEEL
K	#6 X 3" PFH WOOD SCREW	STEEL
L	#10 X 2-1/2" PFH WOOD SCREW (1.15" MIN. EMB.)	STEEL
M	#8 X 2-1/2" PFH SMS	STEEL
P	1/4" PFH CONCRETE SCREW (1-3/4" MIN. EMB.)	STEEL
1	WOOD JAMB (FINGER-JOINT PINE)	WOOD
5	2X MULLION (SG >= 0.55)	WOOD
6	SWEEP	PVC
7	WEATHERSTRIP	FOAM
9	#10 x 3/4" PFH WOOD SCREW	STEEL
11	4" X 4" HINGE	STEEL
12	LATCH STRIKE PLATE	STEEL
13	DEADBOLT STRIKE PLATE	STEEL
20	INSWING THRESHOLD	ALUM/WOOD
21	INSWING THRESHOLD w/ SIDELITE ADAPTER	ALUM/WOOD
22	OUTSWING THRESHOLD	ALUM/WOOD
23	OUTSWING THRESHOLD	ALUM/WOOD
24	OUTSWING THRESHOLD	ALUM/WOOD
25	OUTSWING THRESHOLD	ALUM
40	DOOR PANEL	-
50	SIDELITE PANEL	-



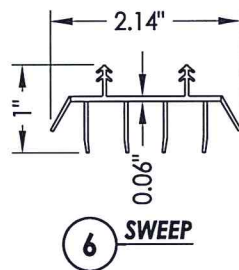
1 WOOD JAMB



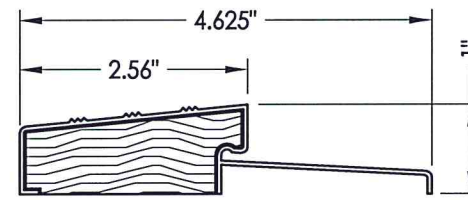
20 INSWING THRESHOLD DLP



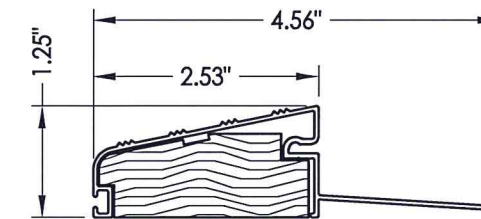
21 INSWING THRESHOLD w/ SIDELITE ADAPTER DLP



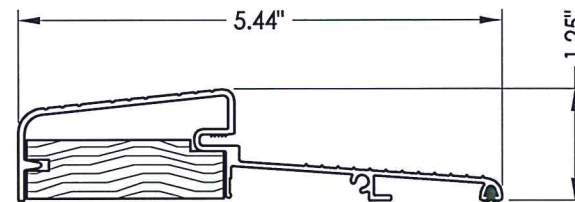
6 SWEEP



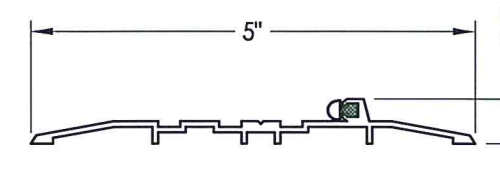
22 OUTSWING THRESHOLD DLP (QOS)



23 OUTSWING THRESHOLD DLP (QOSH)



24 OUTSWING THRESHOLD Combo



25 OUTSWING THRESHOLD DLP (OSHC)

CONCRETE ANCHOR NOTES:

- Concrete anchor locations at the corners may be adjusted to maintain the min. edge distance to mortar joints.
- Concrete anchor locations noted as "MAX. ON CENTER" must be adjusted to maintain the min. edge distance to mortar joints, additional concrete anchors may be required to ensure the "MAX. ON CENTER" dimension are not exceeded.
- Concrete anchor table:

ANCHOR TYPE	ANCHOR SIZE	MIN. EMBEDMENT	MIN. CLEARANCE TO MASONRY EDGE	MIN. CLEARANCE TO ADJACENT ANCHOR
ITW TAPCON®	1/4"	1-3/4"	1-1/2"	4"
DeWALT ULTRACON®	1/4"	1-3/4"	1"	4"



Documents Prepared By: Lyndon F. Schmidt, P.E.
TEXAS P.E. #104123

RW BUILDING CONSULTANTS, INC.
P.O. Box 230 Valrico FL, 33595
Phone No.: 813.659.9197
TEXAS BOARD OF PROFESSIONAL ENGINEERS
CERTIFICATE OF REGISTRATION # F-11852

PRODUCT: TAYLOR DOOR STEEL DOOR
PART OR ASSEMBLY: BILL OF MATERIALS & COMPONENTS

NO.	DATE	REVISIONS
1	8/19/20	UPDATE TO 2018 IBC/IRC CODE
		LFS
		BY

DATE: 11/3/14
SCALE: N.T.S.
DWG. BY: JK
CHK. BY: LFS
DRAWING NO.: TX-4501
SHEET 8 OF 8