



Glazed Fiberglass Door

"NON-IMPACT"
INSWING / OUTSWING

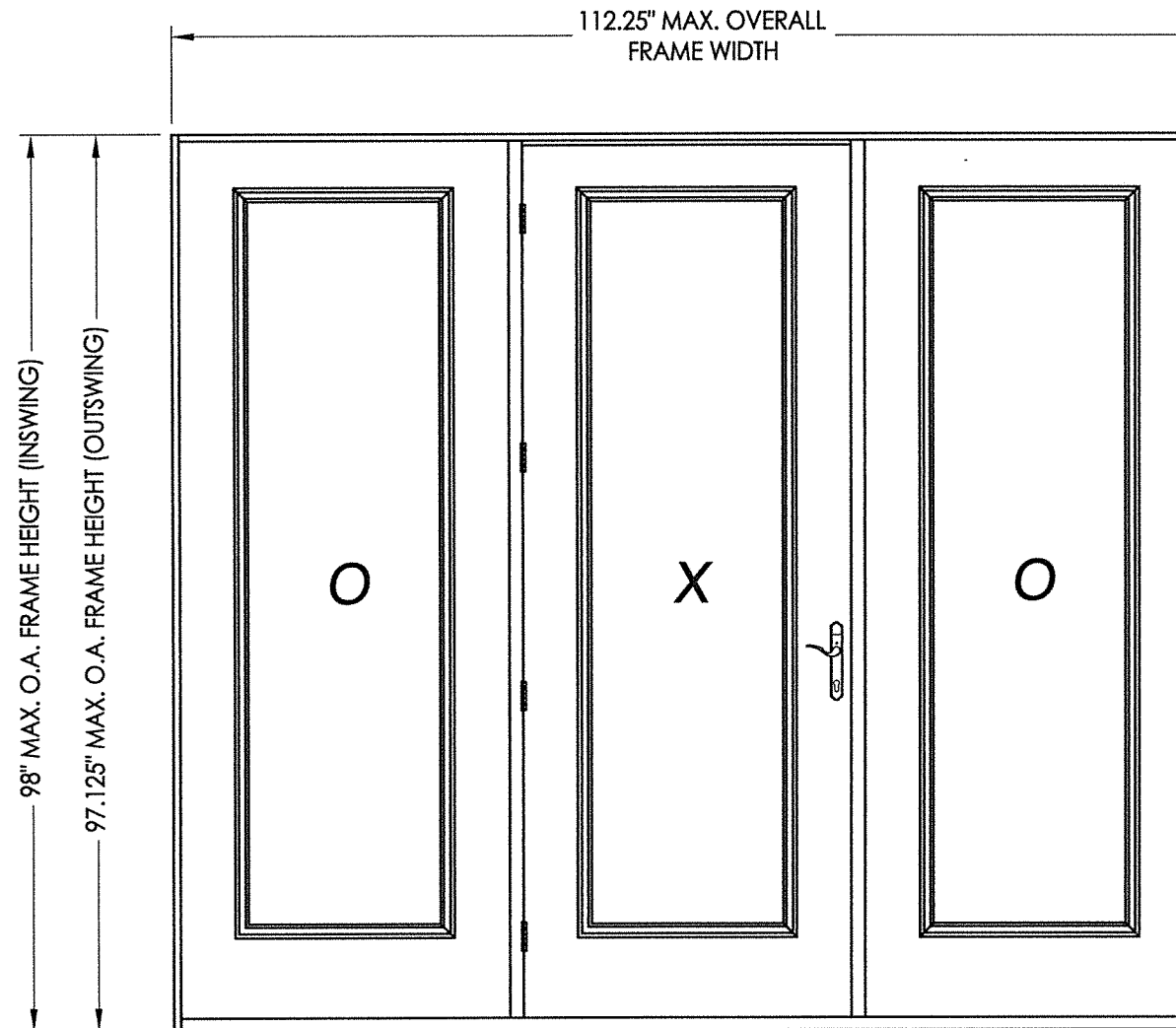
EVALUATED FOR USE IN THE STATE OF TEXAS

TDI DR-709

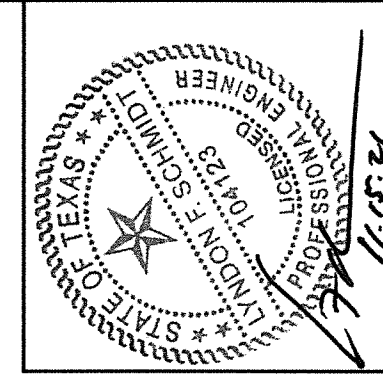
The Fiberglass Door system described herein complies with the 2018 International Residential Code (IRC), Sections R301 & R609 and the 2018 International Building Code (IBC), Sections 1404.13, 1609, 1709.5, 2403 and 2404 subject to the following conditions:

1. Anchors shall be as listed and spaced as shown in the details. Anchor embedment to base material shall be beyond wall dressing or stucco.
2. When used in areas requiring wind-borne debris protection this product is required to be protected with an impact resistant covering that complies with Section R301.2.1.2 of the IRC and Section 1609.1.2 of the IBC.
3. Allowable design pressure requirements must be equal to or less than the design pressure rating shown in the design pressure chart, sheet 1 of this drawing.
4. Conditions not covered by this drawing are subject to further engineering analysis.

TABLE OF CONTENTS	
SHEET #	DESCRIPTION
1	Typical elevations, design pressures & general notes
2	Door panel details (lip lite insert glazing)
3	Slidelite panel details (lip lite insert glazing)
4	Door panel details (flush glazing)
5	Slidelite panel details (flush glazing)
6	Horizontal cross sections
7	Vertical cross sections
8	Vertical cross sections
9	Frame anchoring



CONFIG.	GLAZING	MODEL	DESIGN PRESSURE (PSF) ULTIMATE TRILENNIUM ASTRAGAL	
			POSITIVE	NEGATIVE
OXO	LIP LITE INSERT	INSWING	+40.0	-40.0
OXO	LIP LITE INSERT	OUTSWING	+40.0	-40.0
OXO	FLUSH GLAZED	INSWING	+55.0	-55.0
OXO	FLUSH GLAZED	OUTSWING	+60.0	-60.0



Documents Prepared By: Lyndon F. Schmidt, P.E.
TEXAS P.E. #104123

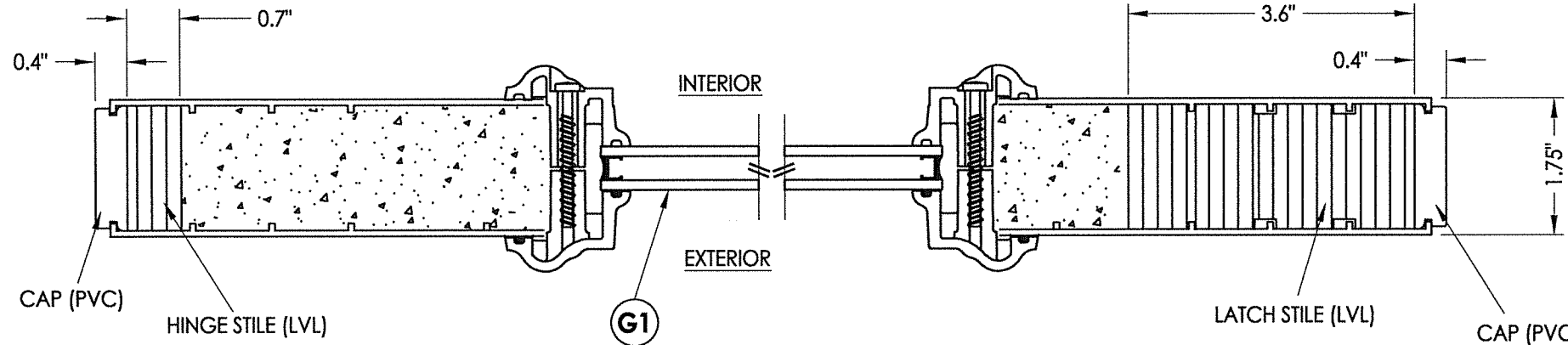
RW BUILDING CONSULTANTS, INC.
P.O. Box 230 Vairico FL 33595
Phone No.: 813.659.9197
TEXAS BOARD OF PROFESSIONAL ENGINEERS
CERTIFICATE OF REGISTRATION # F-11852

PRODUCT: ENDURA
PART OR ASSEMBLY:
TYPICAL ELEVATION, DESIGN PRESSURES & GENERAL NOTES

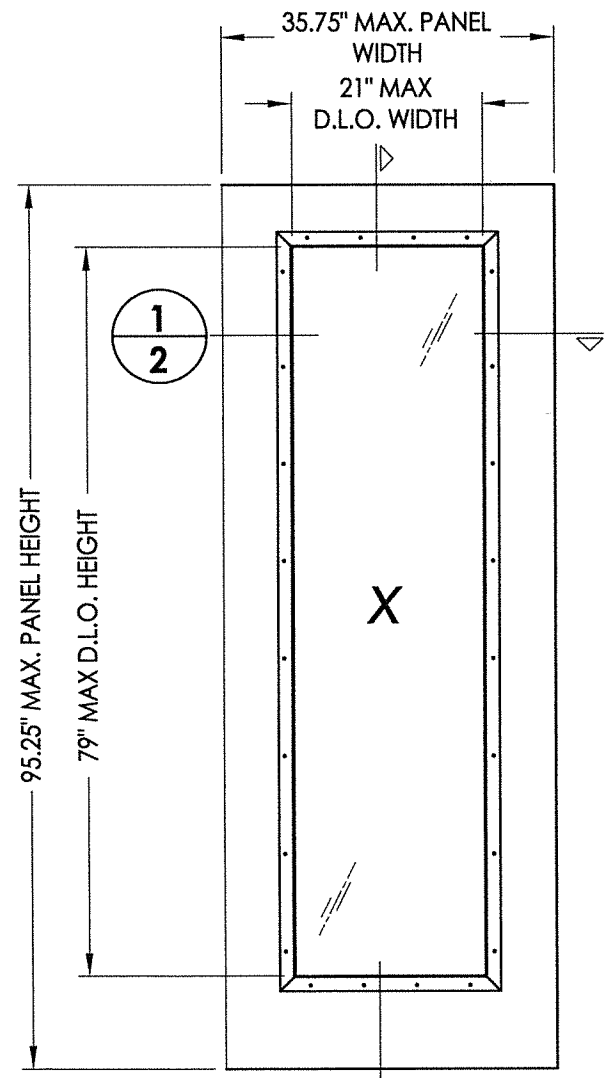
NO.	DATE	BY	REVISIONS
2	11/11/21	LFS	UPDATE TO 2018 IBC/IRC CODE
1	10/08/18	LFS	ADDED FLUSH GLAZING

DATE: 11/09/16
SCALE: N.T.S.
DWG. BY: JK
CHK. BY: LFS
DRAWING NO.: TX-4666
SHEET 1 OF 9

Z:\Clients\Endura PERMANENT\B - Texas Dept of Ins\TDI - DR-709 Plastpro FG Glazed\C - Drawings\TX-4664.66.dwg

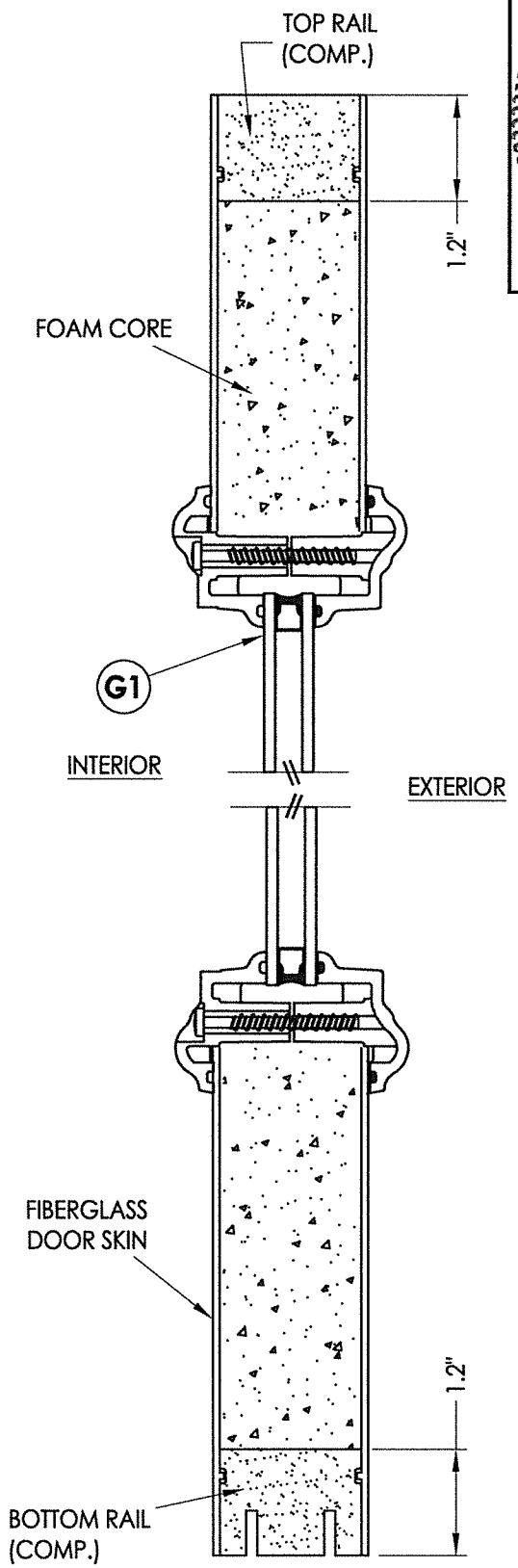


1
2 HORIZONTAL CROSS SECTION

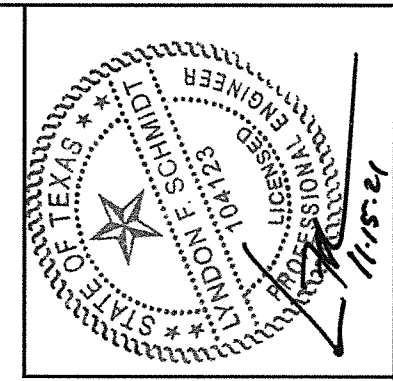


2
2 DOOR PANEL
Plastpro
Fiberglass

DOOR PANEL SKIN: FIBERGLASS (0.075" MIN. THICKNESS)
CORE MATERIAL: POLYURETHANE FOAM (1.9 PCF MIN.)



2
2 VERTICAL CROSS SECTION



Documents Prepared By: Lyndon F. Schmidt, P.E.
TEXAS P.E. #104123

RW BUILDING CONSULTANTS, INC.
P.O. Box 230 Valrico FL 33595
Phone No.: 813.659.9197

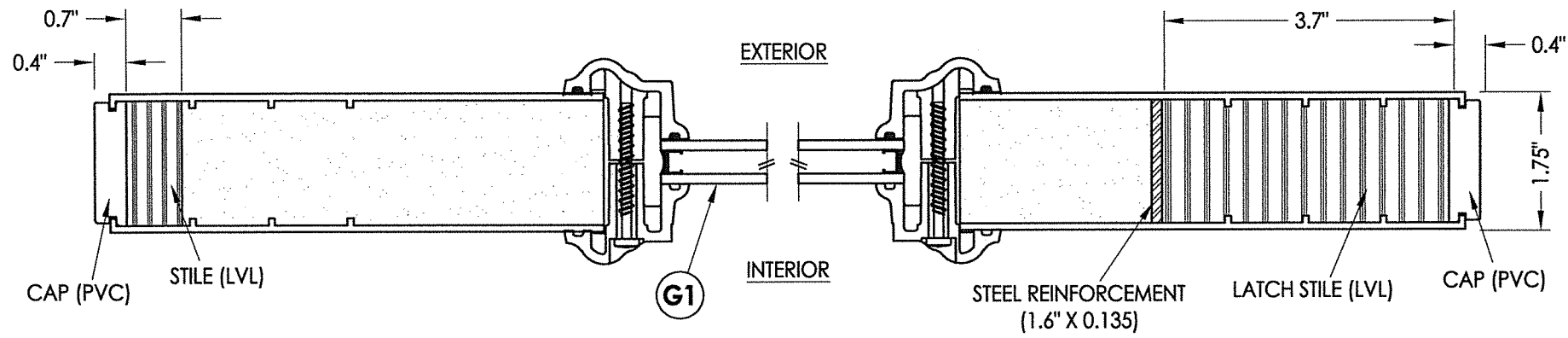
TEXAS BOARD OF PROFESSIONAL ENGINEERS
CERTIFICATE OF REGISTRATION # F-11852

PRODUCT:	ENDURA
PART OR ASSEMBLY:	DOOR PANEL DETAILS (LIP LITE INSERT GLAZING)

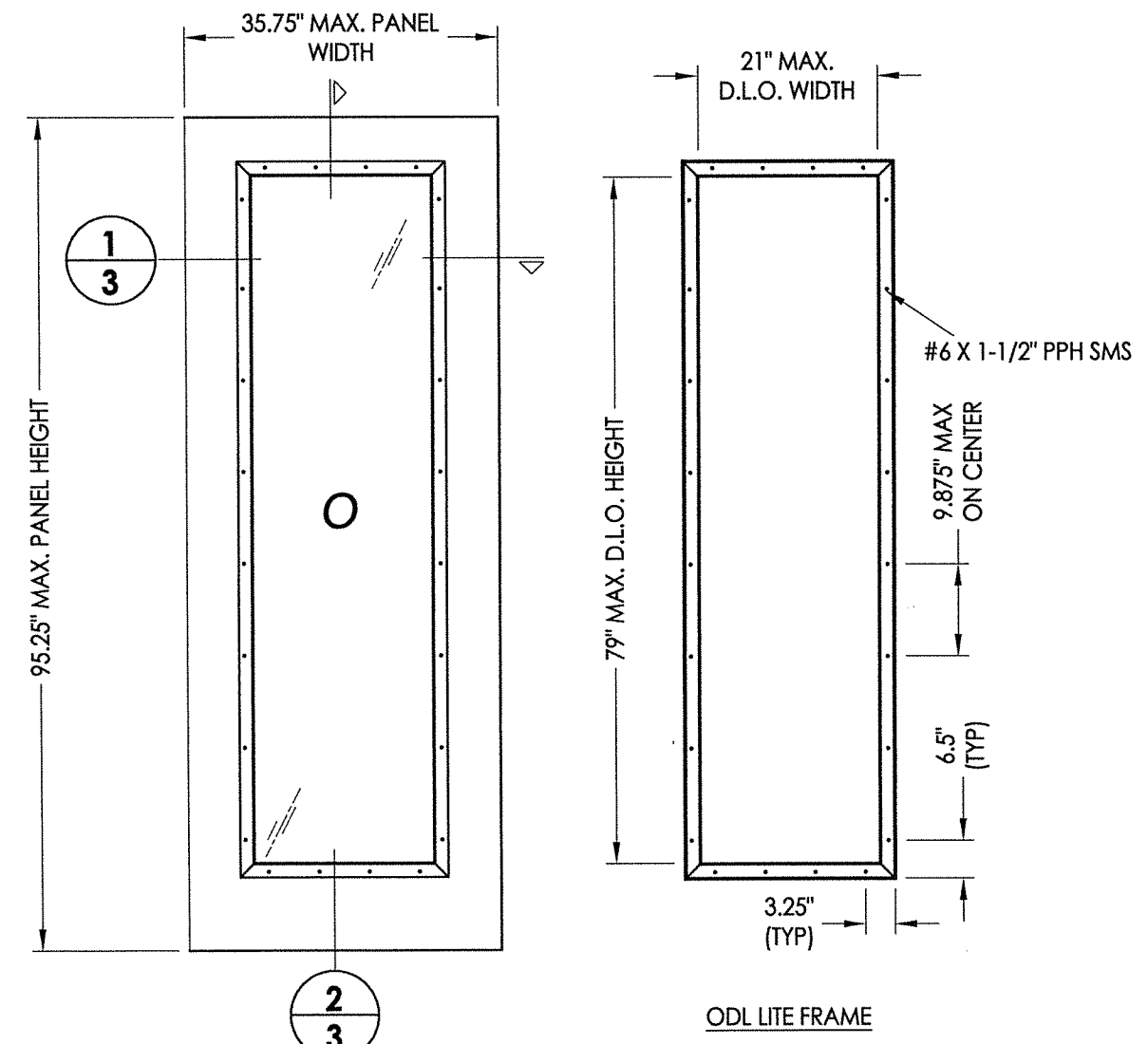
NO.	DATE	BY	REVISIONS
2	11/11/21	LFS	UPDATE TO 2018 IBC/IRC CODE
1	10/08/18	LFS	ADDED FLUSH GLAZING

DATE:	11/09/16
SCALE:	N.T.S.
DWG. BY:	JK
CHK. BY:	LFS
DRAWING NO.:	TX-4666
SHEET	2 OF 9

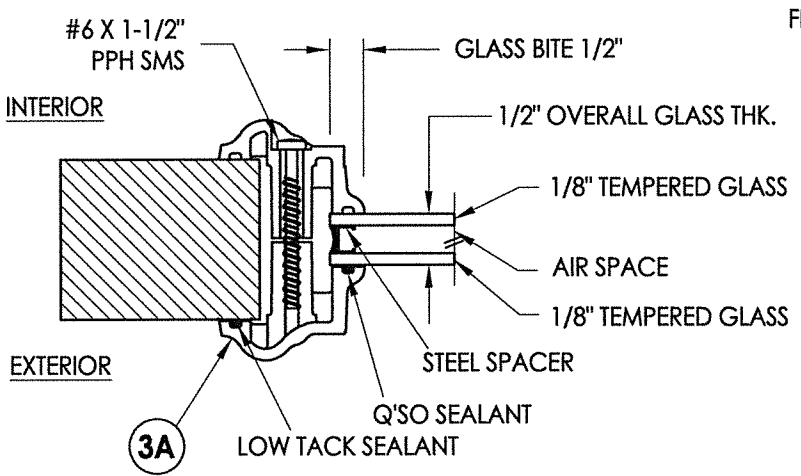
Z:\Clients\Endura PERMANENT\B - Texas Dept of Ins\TDI - DR-709 Plastpro FG Glazed\C - Drawings\TX-4664.66.dwg



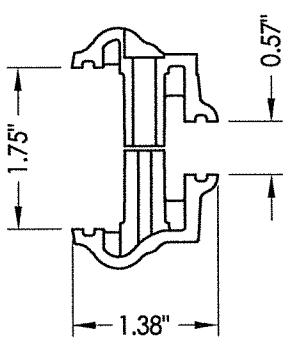
1
3 HORIZONTAL CROSS SECTION



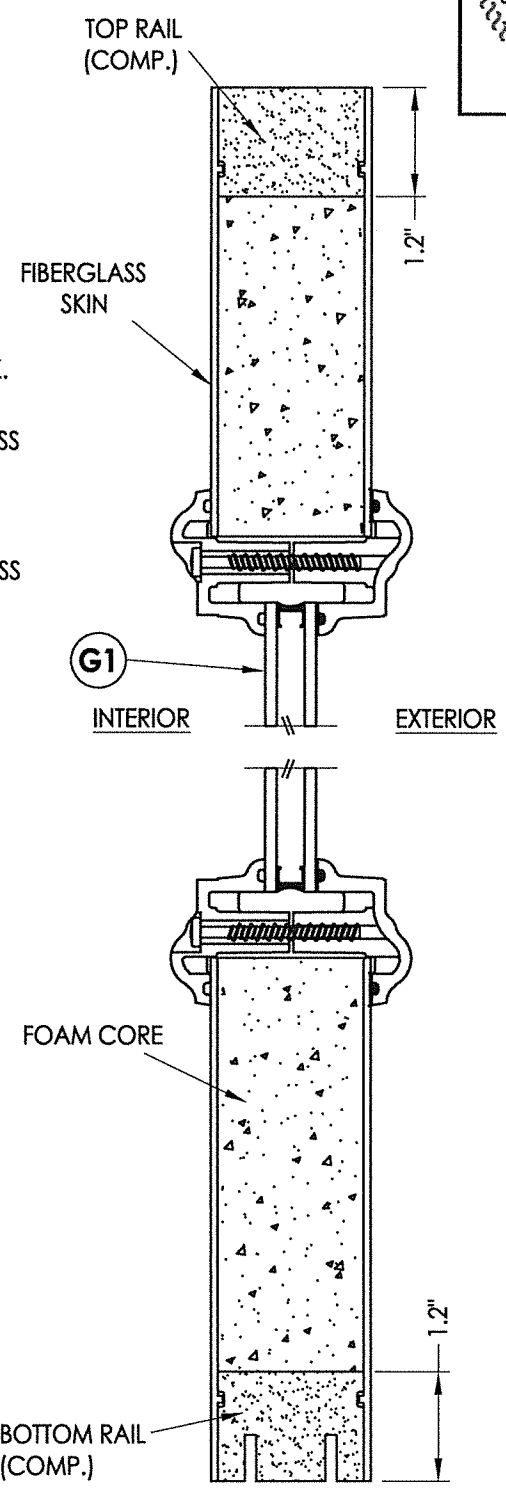
2
3 SIDELITE PANEL
Plastpro
Fiberglass



G1 GLAZING DETAIL

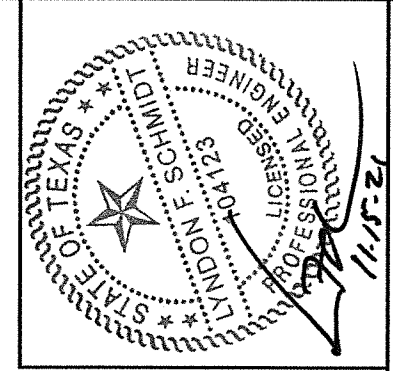


3A OD LITE FRAME
HP Polypropylene



2
3 VERTICAL CROSS SECTION

SIDELITE PANEL SKIN: FIBERGLASS (0.075\"/>

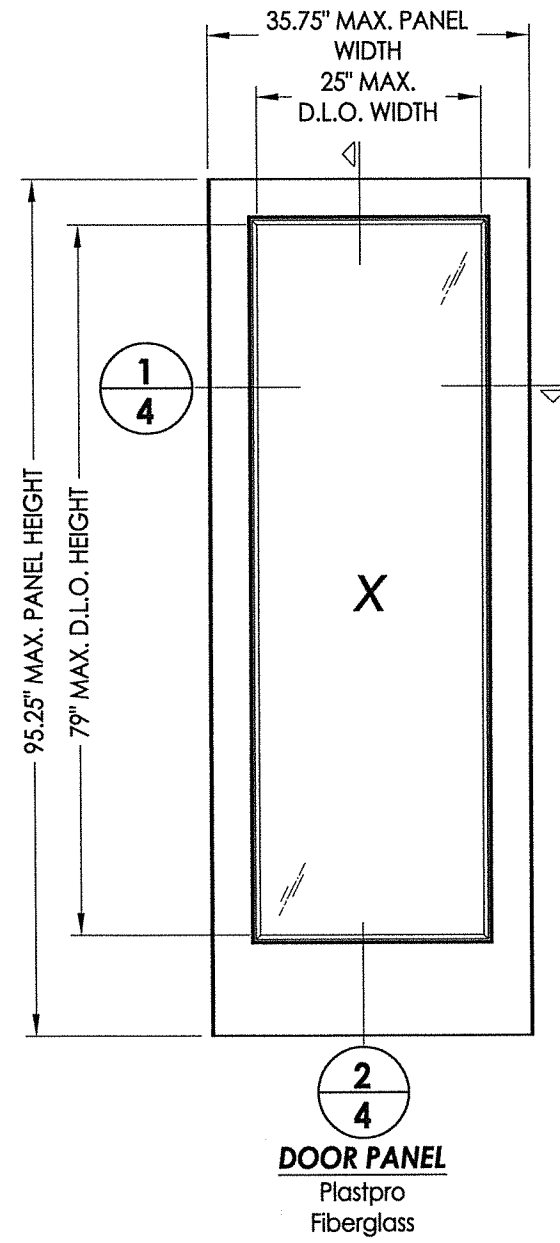
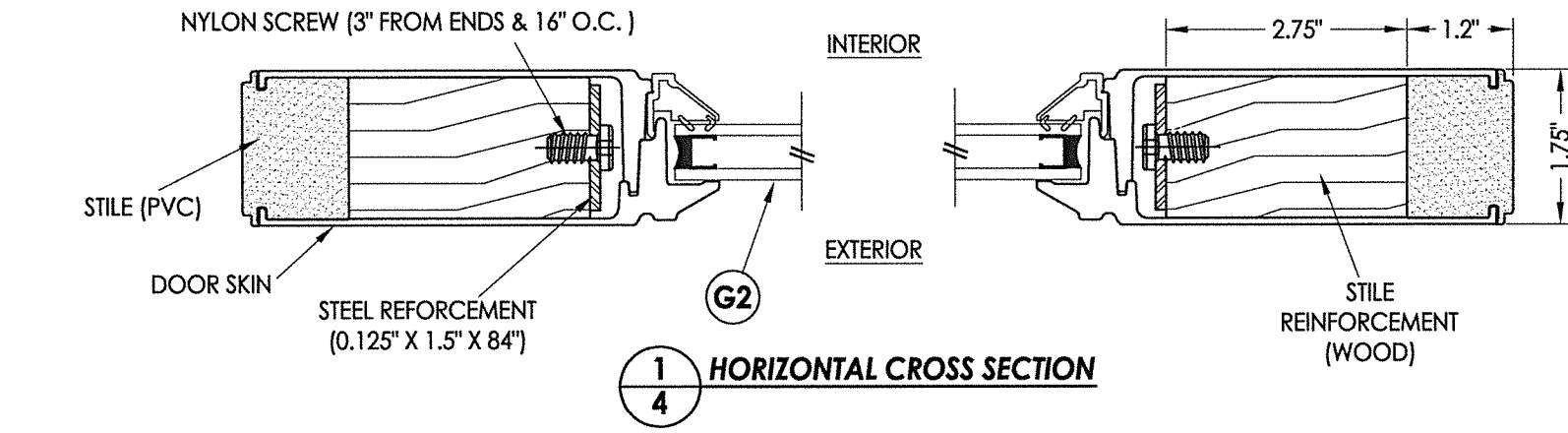


Documents Prepared By: Lyndon F. Schmidt, P.E.
TEXAS P.E. #104123

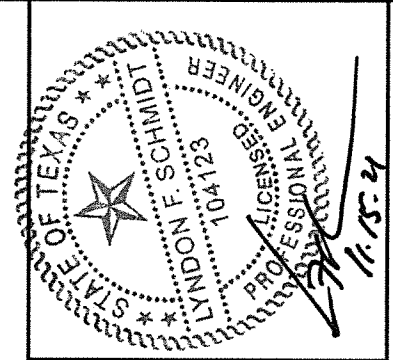
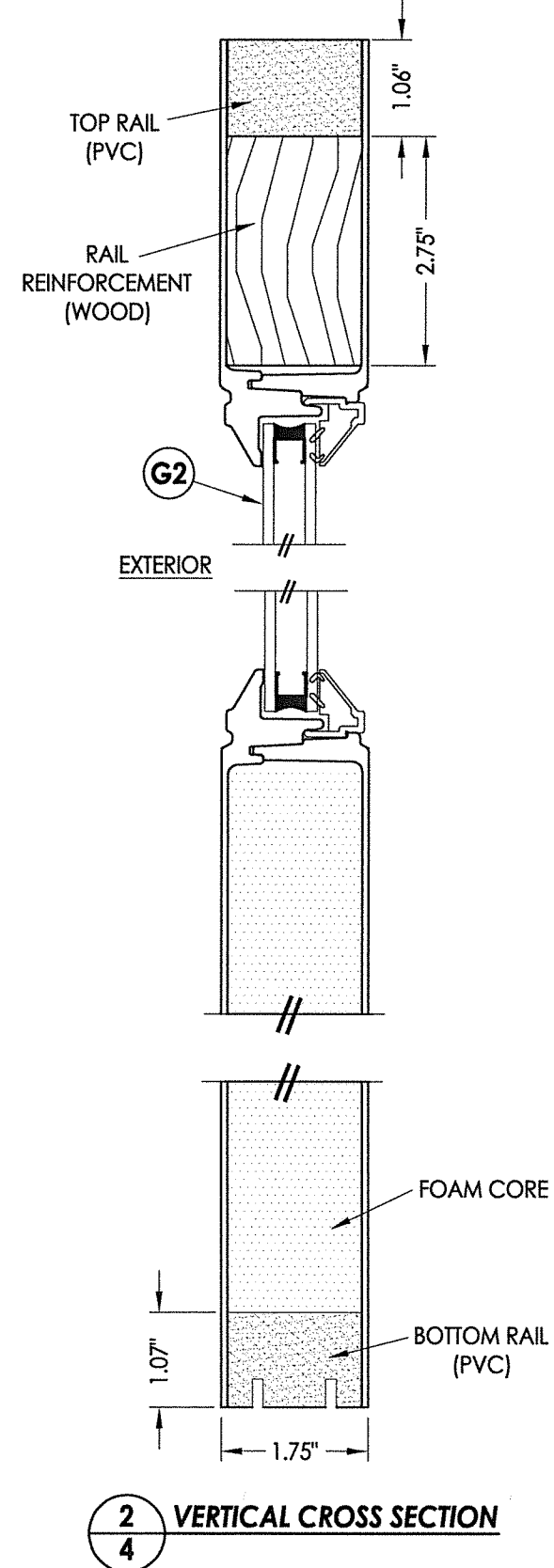
RW BUILDING CONSULTANTS, INC.
P.O. Box 230 Vairico FL 33595
Phone No.: 813.659.9197
TEXAS BOARD OF PROFESSIONAL ENGINEERS
CERTIFICATE OF REGISTRATION # F-11852

PRODUCT:	ENDURA	
PART OR ASSEMBLY:	SIDELITE PANEL DETAILS (LIP LITE INSERT GLAZING)	
NO.	DATE	BY
2	11/11/21	LFS
1	10/08/18	LFS
REVISIONS		
DATE:	11/09/16	
SCALE:	N.T.S.	
DWG. BY:	JK	
CHK. BY:	LFS	
DRAWING NO.:	TX-4666	
SHEET	3	OF 9

Z:\Clients\Endura PERMANENT\B - Texas Dept of Ins\TDI - DR-709 Plastpro FG Glazed\C - Drawings\TX-4664.66.dwg



DOOR SKIN: FIBERGLASS (0.075" MIN. THK.)
FOAM CORE: POLYURETHANE (1.9 PCF MIN.)

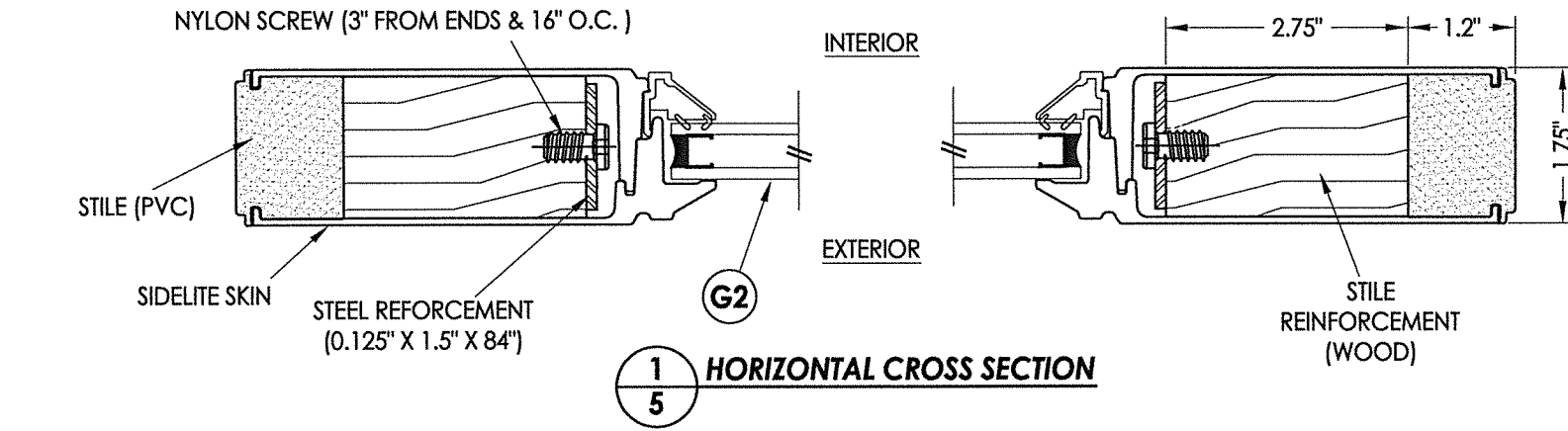


Documents Prepared By: Lyndon F. Schmidt, P.E.
TEXAS P.E. #104123

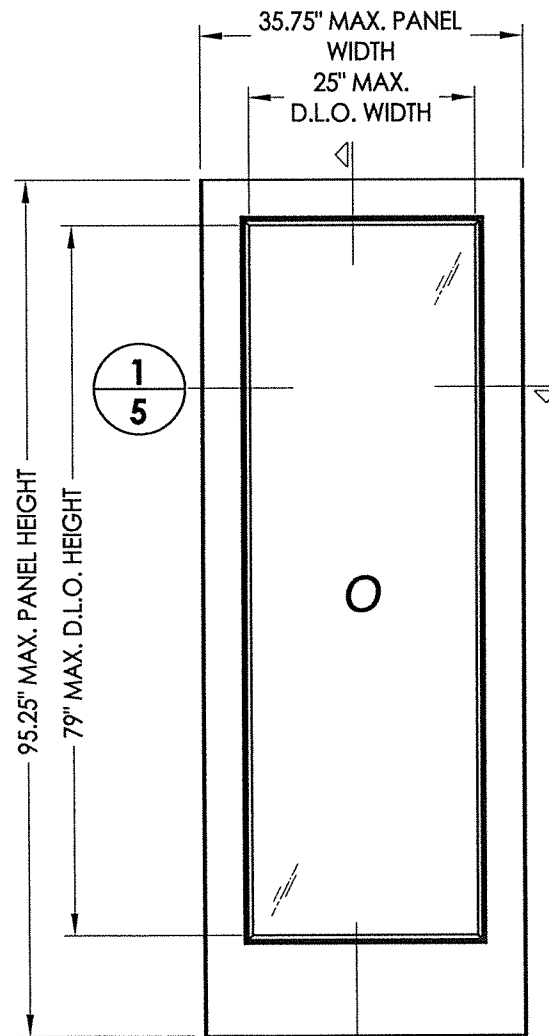
RW BUILDING CONSULTANTS, INC.
P.O. Box 230 Valrico FL 33595
Phone No.: 813.659.9197

TEXAS BOARD OF PROFESSIONAL ENGINEERS
CERTIFICATE OF REGISTRATION # F-11852

PRODUCT:	ENDURA	
PART OR ASSEMBLY:	DOOR PANEL DETAILS (FLUSH GLAZING)	
NO.	DATE	BY
2	11/11/21	LFS
1	10/08/18	LFS
REVISIONS		
DATE:	11/09/16	
SCALE:	N.T.S.	
DWG. BY:	JK	
CHK. BY:	LFS	
DRAWING NO.:	TX-4666	
SHEET	4 OF 9	

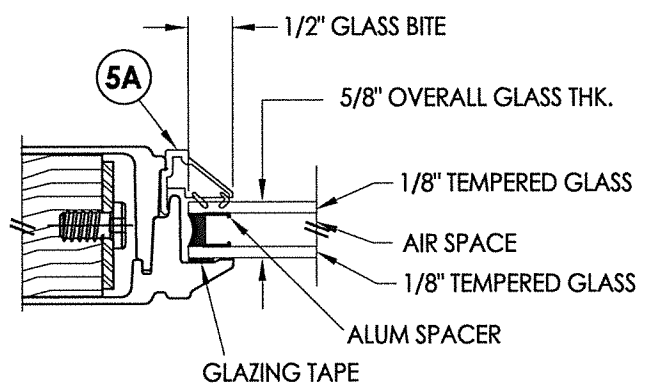


1
5 HORIZONTAL CROSS SECTION

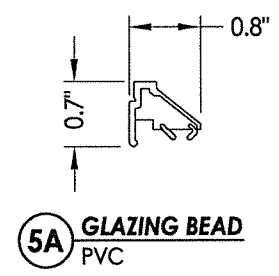


2
5 SIDELITE PANEL
Plastpro
Fiberglass

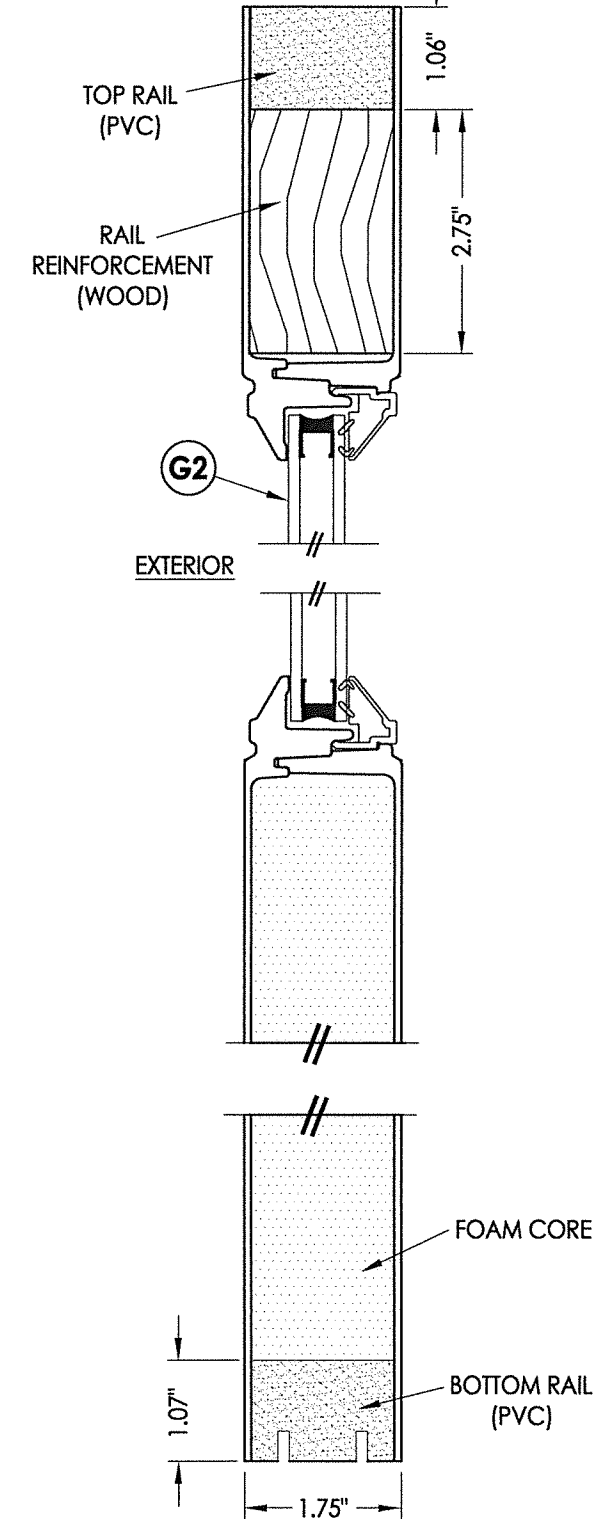
SIDELITE SKIN: FIBERGLASS (0.075" MIN. THK.)
FOAM CORE: POLYURETHANE (1.9 PCF MIN.)



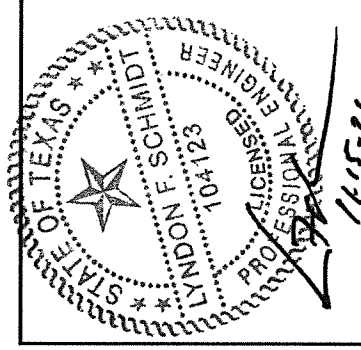
G2 GLAZING DETAIL
Flush Glazing



5A GLAZING BEAD
PVC



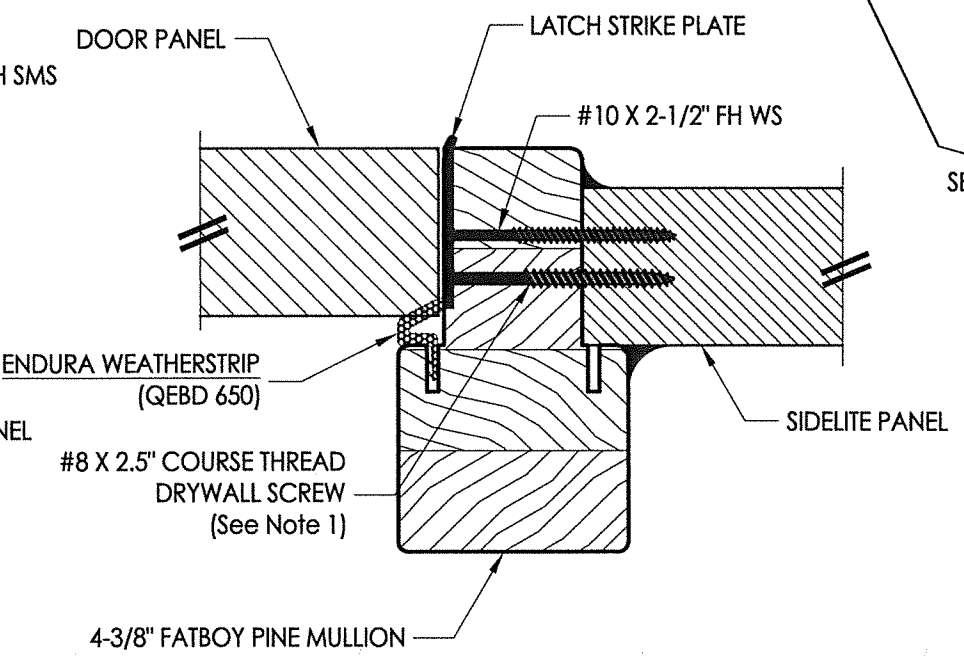
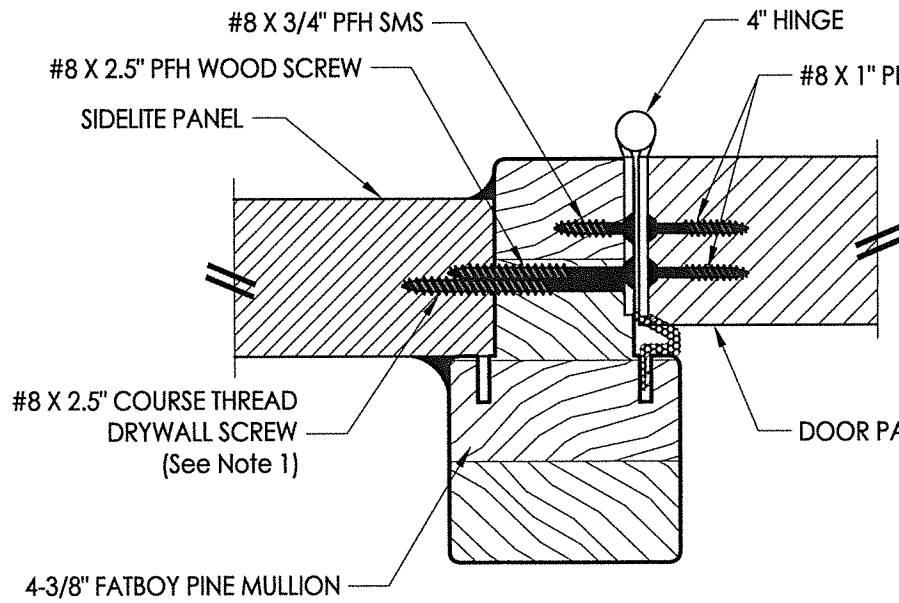
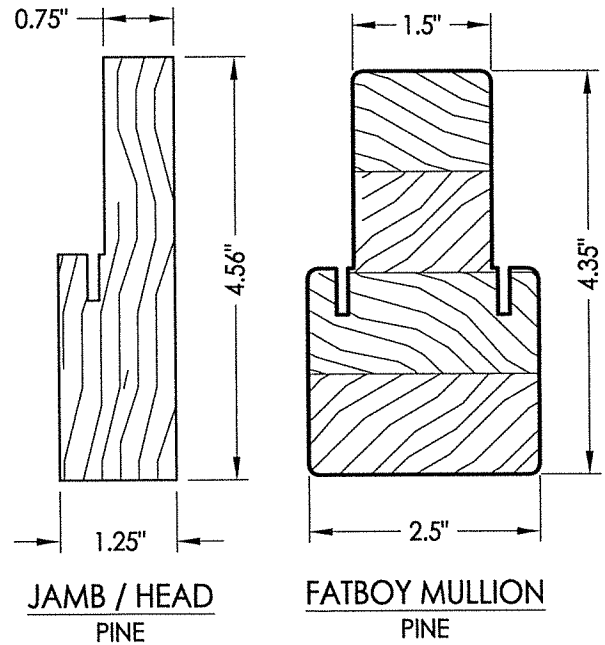
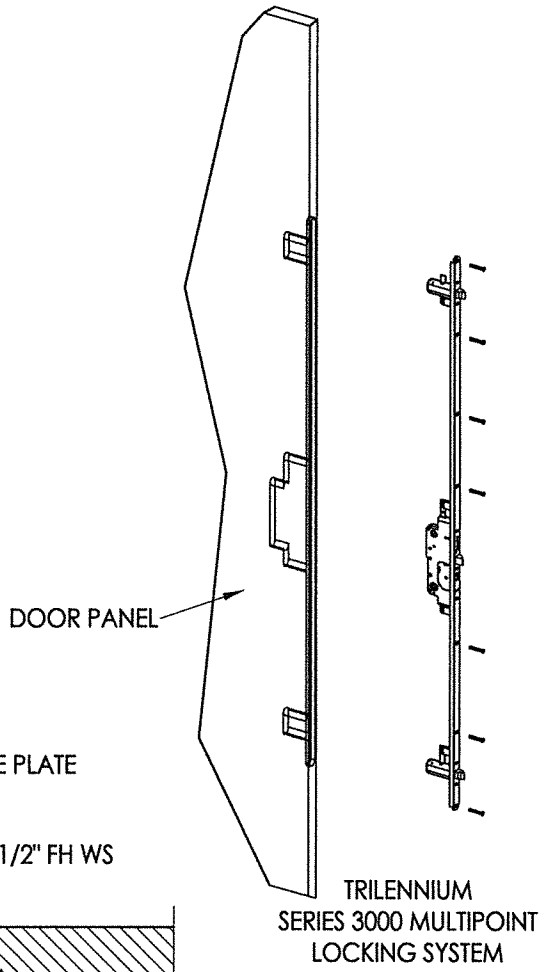
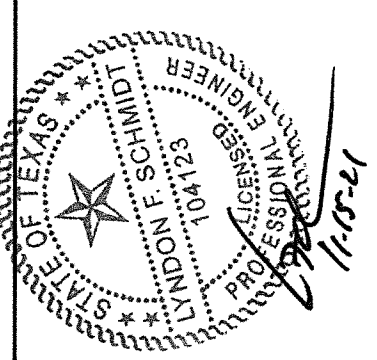
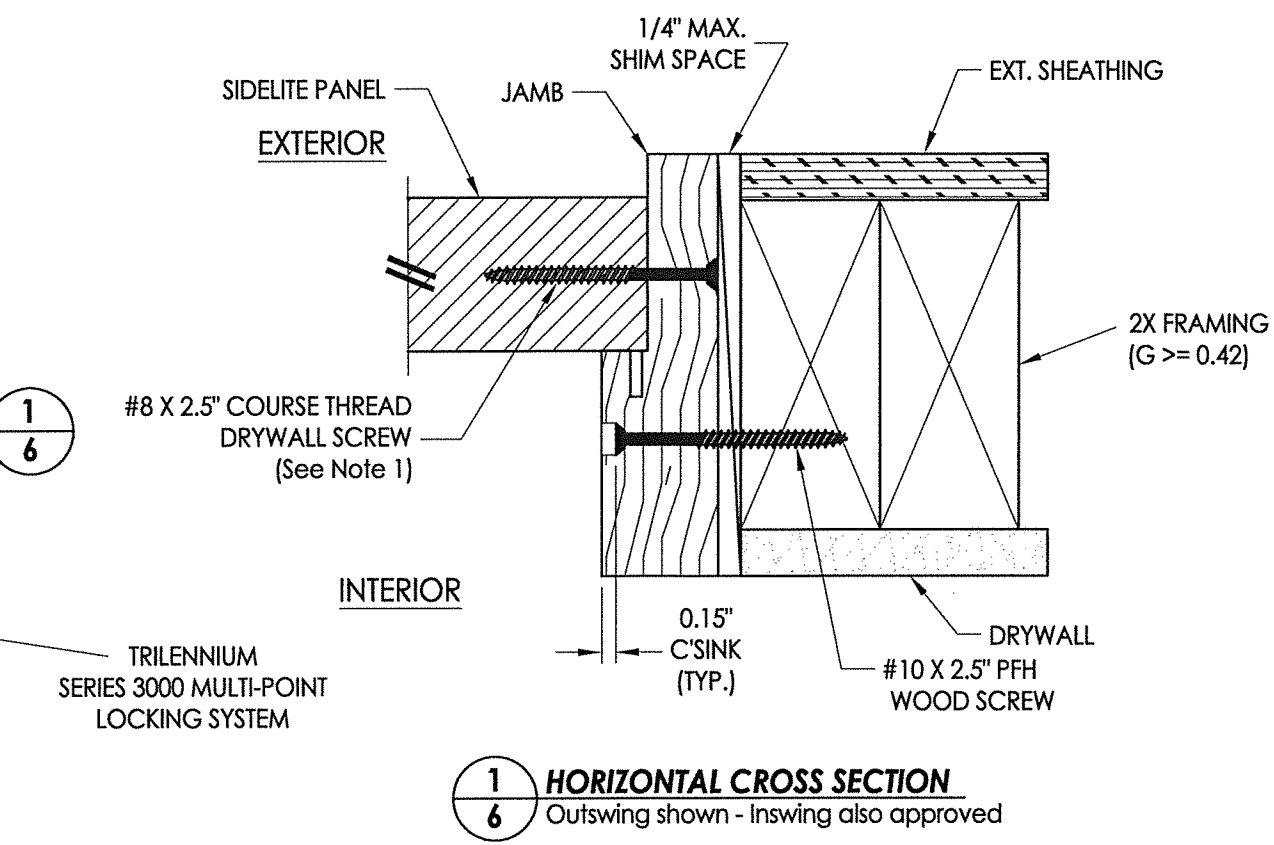
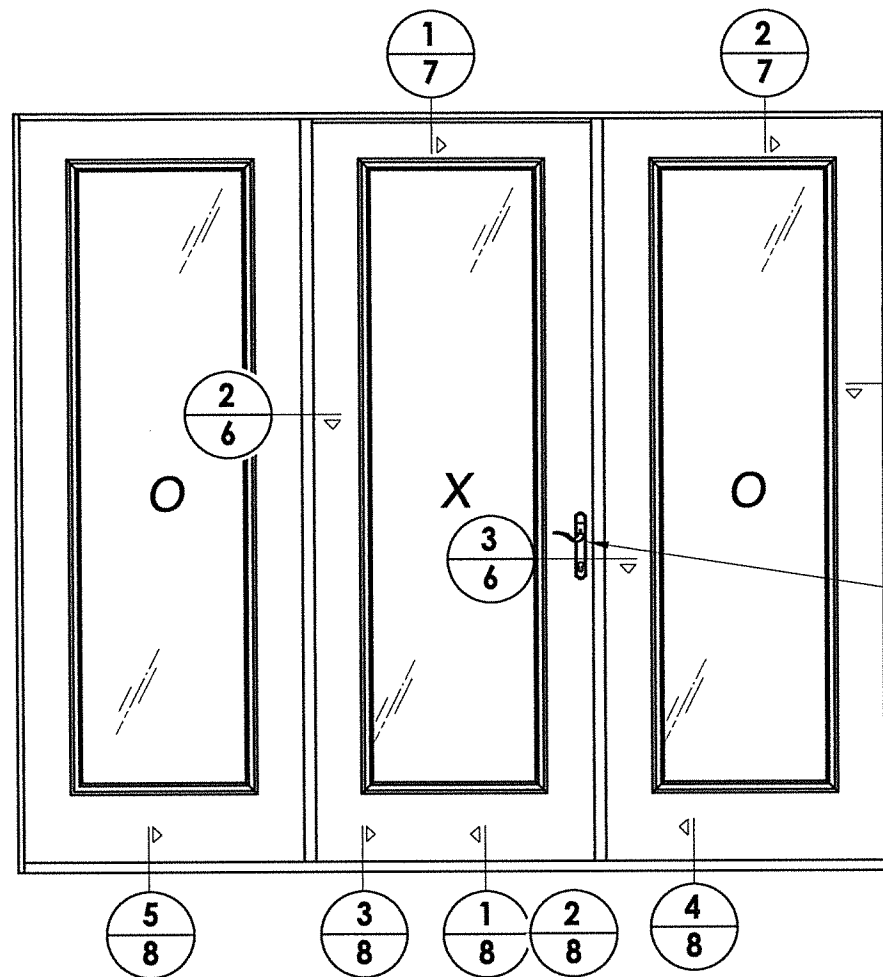
2
5 VERTICAL CROSS SECTION



Documents Prepared By: Lyndon F. Schmidt, P.E.
TEXAS P.E. #104123

RW BUILDING CONSULTANTS, INC.
P.O. Box 230 Valrico FL, 33595
Phone No.: 813.659.9197
TEXAS BOARD OF PROFESSIONAL ENGINEERS
CERTIFICATE OF REGISTRATION # F-11852

PRODUCT:	ENDURA	
PART OR ASSEMBLY:	SIDELITE PANEL DETAILS (FLUSH GLAZING)	
NO.	DATE	BY
2	11/11/21	LFS
1	10/08/18	LFS
REVISIONS		
DATE:	11/09/16	
SCALE:	N.T.S.	
DWG. BY:	JK	
CHK. BY:	LFS	
DRAWING NO.:	TX-4666	
SHEET	5 of 9	



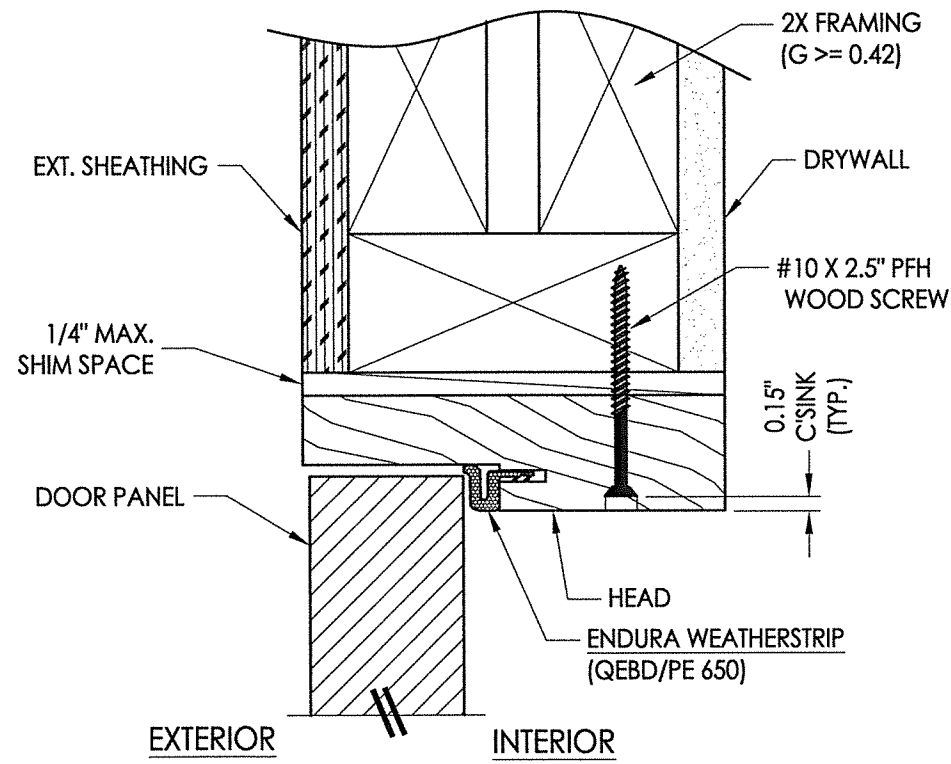
NOTE:
1. Spacing for sidelite screws: 6.5", 35.5", 57.25" and 85" from head to sill (4 total).

Documents Prepared By: Lyndon F. Schmidt, P.E.
TEXAS P.E. #104123

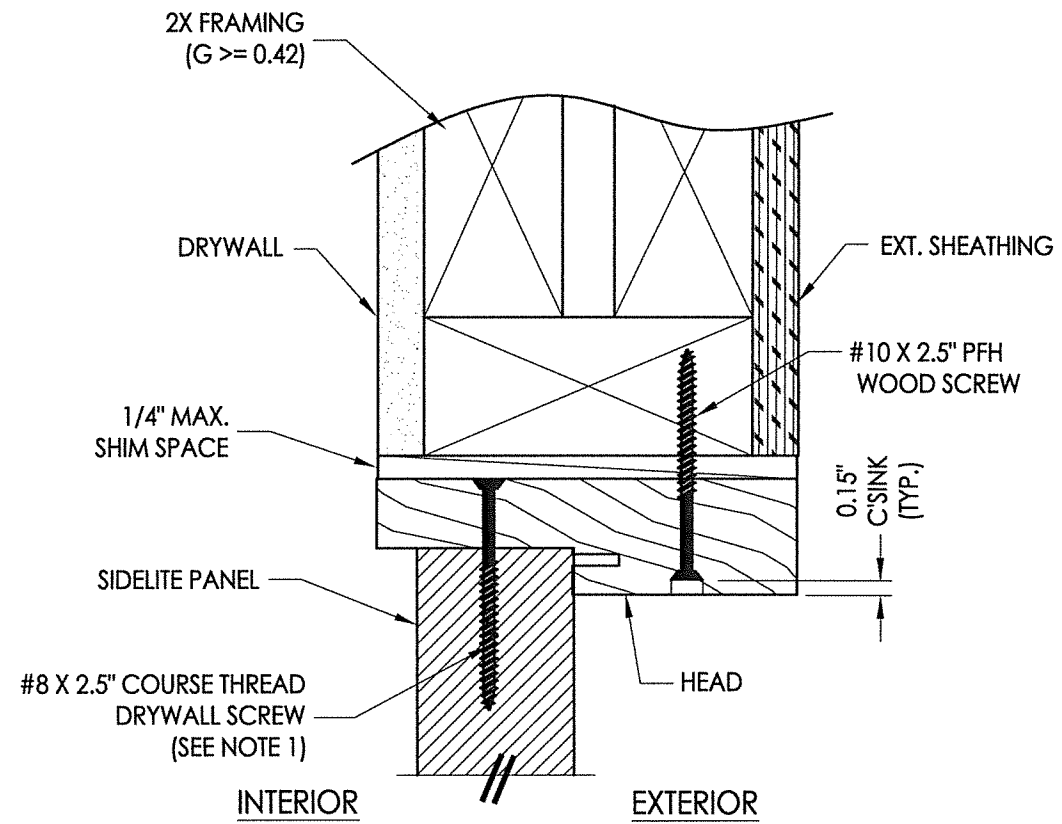
RW BUILDING CONSULTANTS, INC.
P.O. Box 230 Valrico FL 33595
Phone No.: 813.659.9197

TEXAS BOARD OF PROFESSIONAL ENGINEERS
CERTIFICATE OF REGISTRATION # F-11852

PRODUCT:	ENDURA	
PART OR ASSEMBLY:	FIBERGLASS DOOR	
NO.	DATE	BY
2	11/11/21 UPDATE TO 2018 IBC/IRC CODE	LFS
1	10/08/18 ADDED FLUSH GLAZING	LFS
REVISIONS		
DATE:	11/09/16	
SCALE:	N.T.S.	
DWG. BY:	JK	
CHK. BY:	LFS	
DRAWING NO.:	TX-4666	
SHEET	6 OF 9	

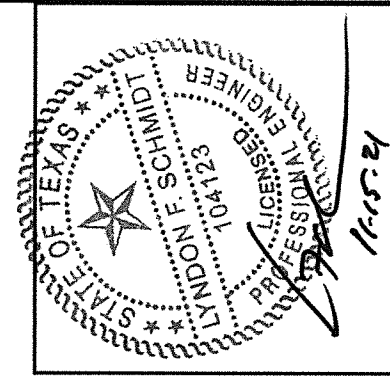


1 **VERTICAL CROSS SECTION**
7 Outswing shown - inswing also approved



2 **VERTICAL CROSS SECTION**
7 Inswing shown - Outswing also approved

NOTE:
 1. Spacing for sidelite screws:
 6" from each end (2 total).

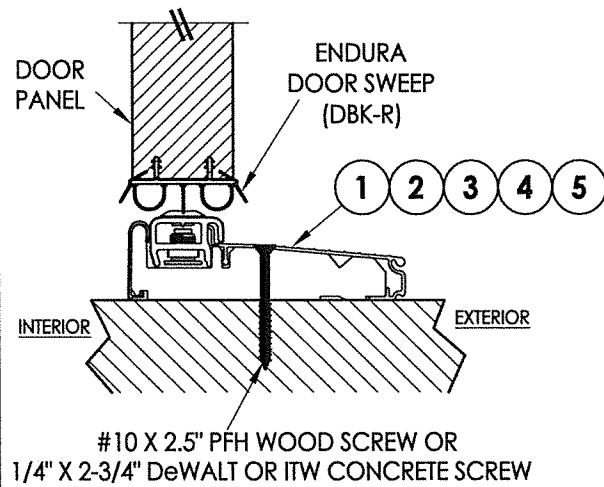


Documents Prepared By: Lyndon F. Schmidt, P.E.
 TEXAS P.E. #104123

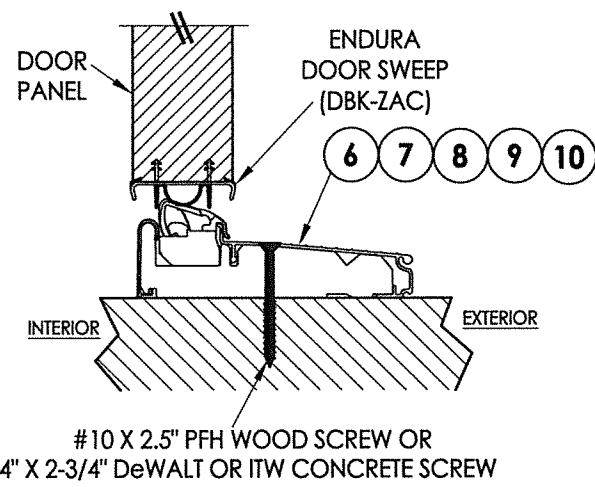
RW BUILDING CONSULTANTS, INC.
 P.O. Box 230 Valrico FL 33595
 Phone No.: 813.659.9197
 TEXAS BOARD OF PROFESSIONAL ENGINEERS
 CERTIFICATE OF REGISTRATION # F-11852

PRODUCT:	ENDURA	
PART OR ASSEMBLY:	VERTICAL CROSS SECTIONS	
LFS	LFS	BY
2	11/11/21	UPDATE TO 2018 IBC/IRC CODE
1	10/08/18	ADDED FLUSH GLAZING
NO.	DATE	REVISIONS

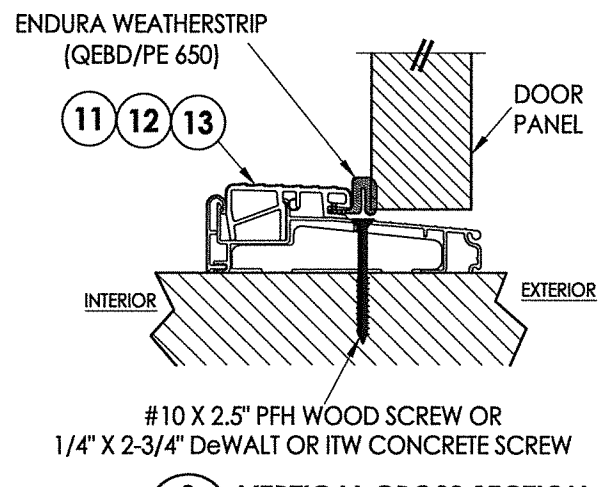
DATE: 11/09/16
 SCALE: N.T.S.
 DWG. BY: JK
 CHK. BY: LFS
 DRAWING NO.: TX-4666
 SHEET 7 OF 9



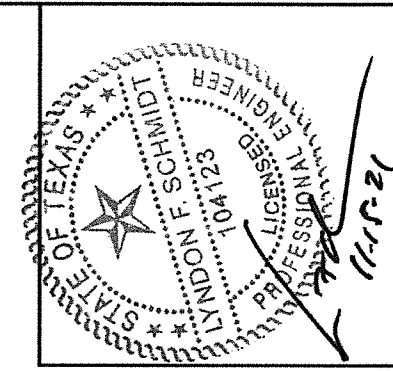
1 VERTICAL CROSS SECTION
8 Inswing Adjustable Threshold



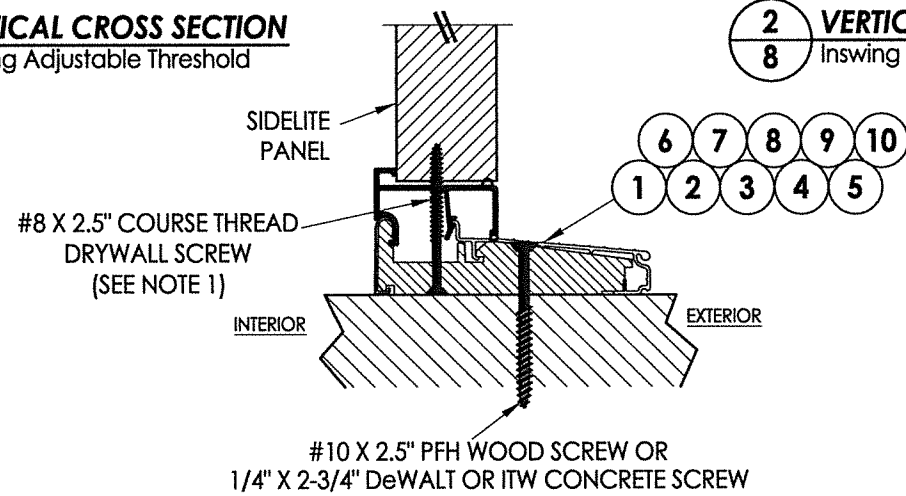
2 VERTICAL CROSS SECTION
8 Inswing Articulating Threshold



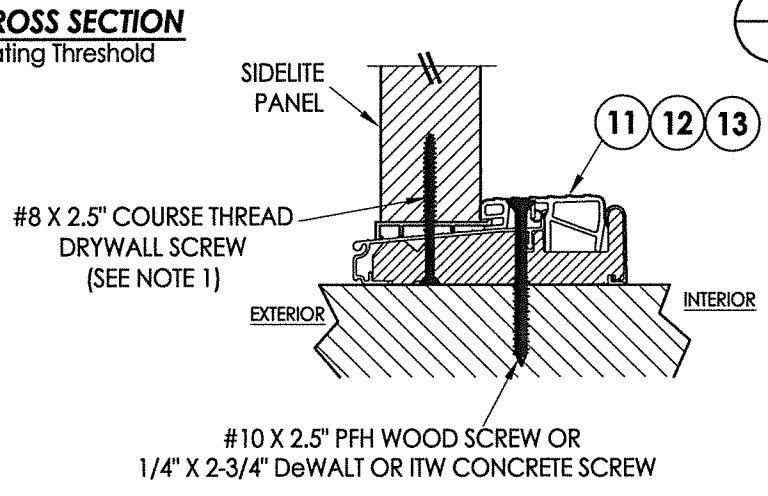
3 VERTICAL CROSS SECTION
8 Outswing Bump Threshold



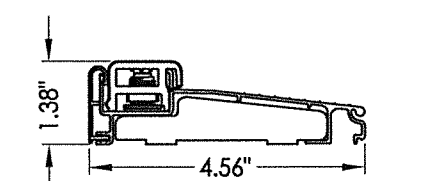
NOTE:
1. Spacing for sidelite screws:
6\"/>



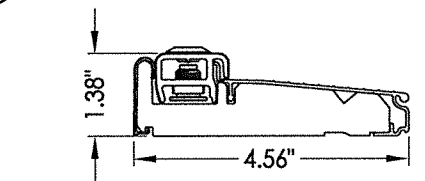
4 VERTICAL CROSS SECTION
8 Inswing configuration



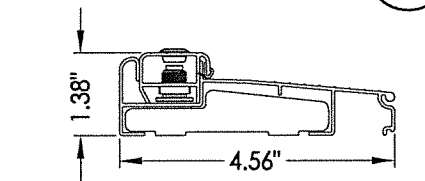
5 VERTICAL CROSS SECTION
8 Outswing configuration



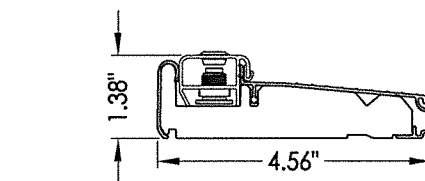
1 INSWING ADJUSTABLE THRESHOLD
ZAIL4565



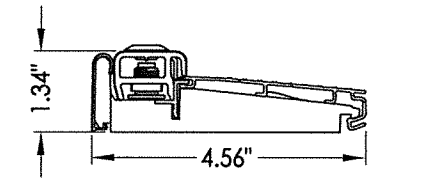
2 INSWING ADJUSTABLE THRESHOLD
ZAI4565FN



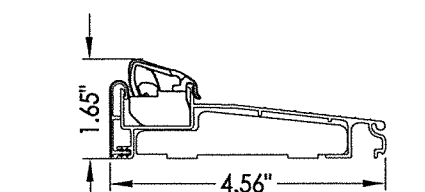
3 INSWING ADJUSTABLE THRESHOLD
ZAILAA4565



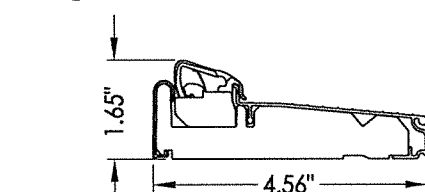
4 INSWING ADJUSTABLE THRESHOLD
ZAI4565RDS



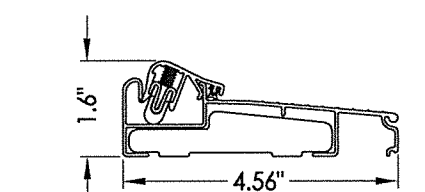
5 INSWING ADJUSTABLE THRESHOLD
ZAI4565RDS
MAX. DESIGN PRESSURE = ±40 PSF



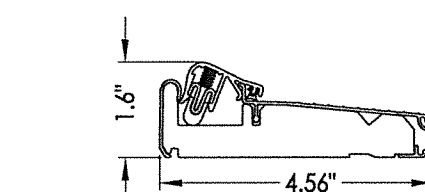
6 INSWING ARTICULATING THRESHOLD
ZA4565



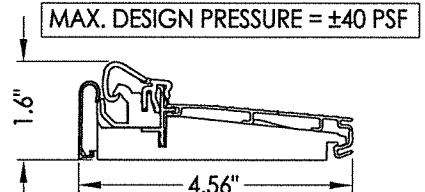
7 INSWING ARTICULATING THRESHOLD
ZAC4565FN



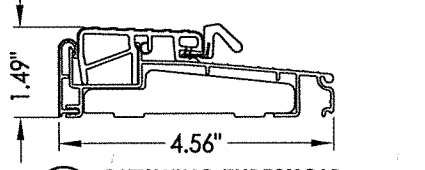
8 INSWING ARTICULATING THRESHOLD
ZA4565



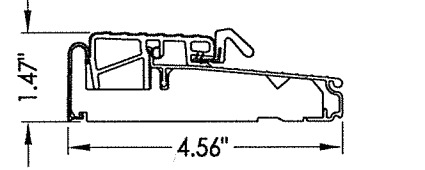
9 INSWING ARTICULATING THRESHOLD
ZAC4565FN



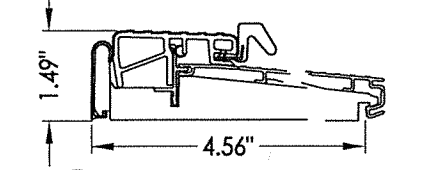
10 INSWING ARTICULATING THRESHOLD
ZAC4565RDS
MAX. DESIGN PRESSURE = ±35 PSF



11 OUTSWING THRESHOLD
ZOB4565

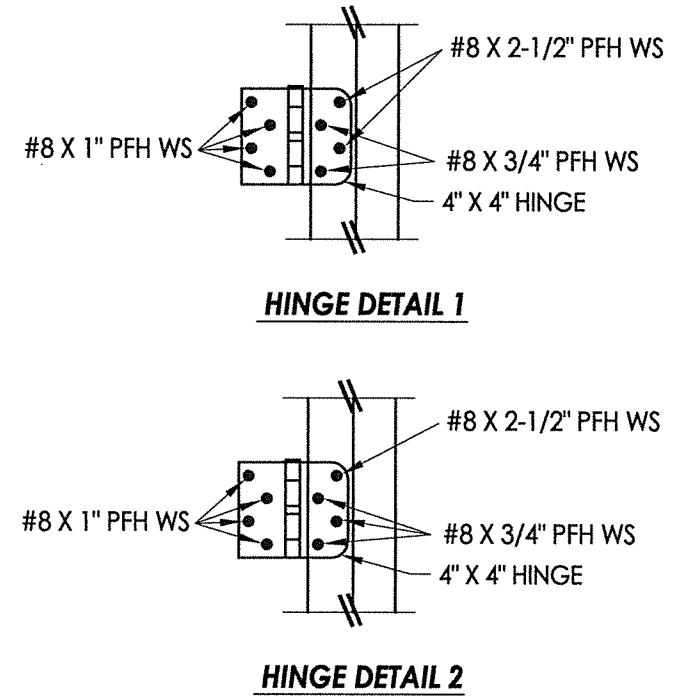
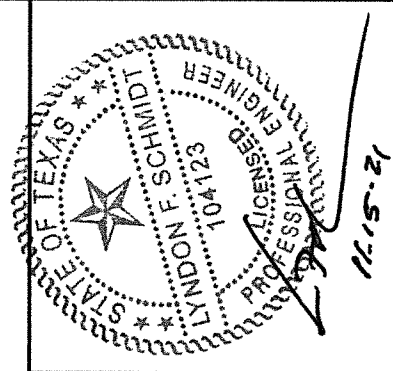
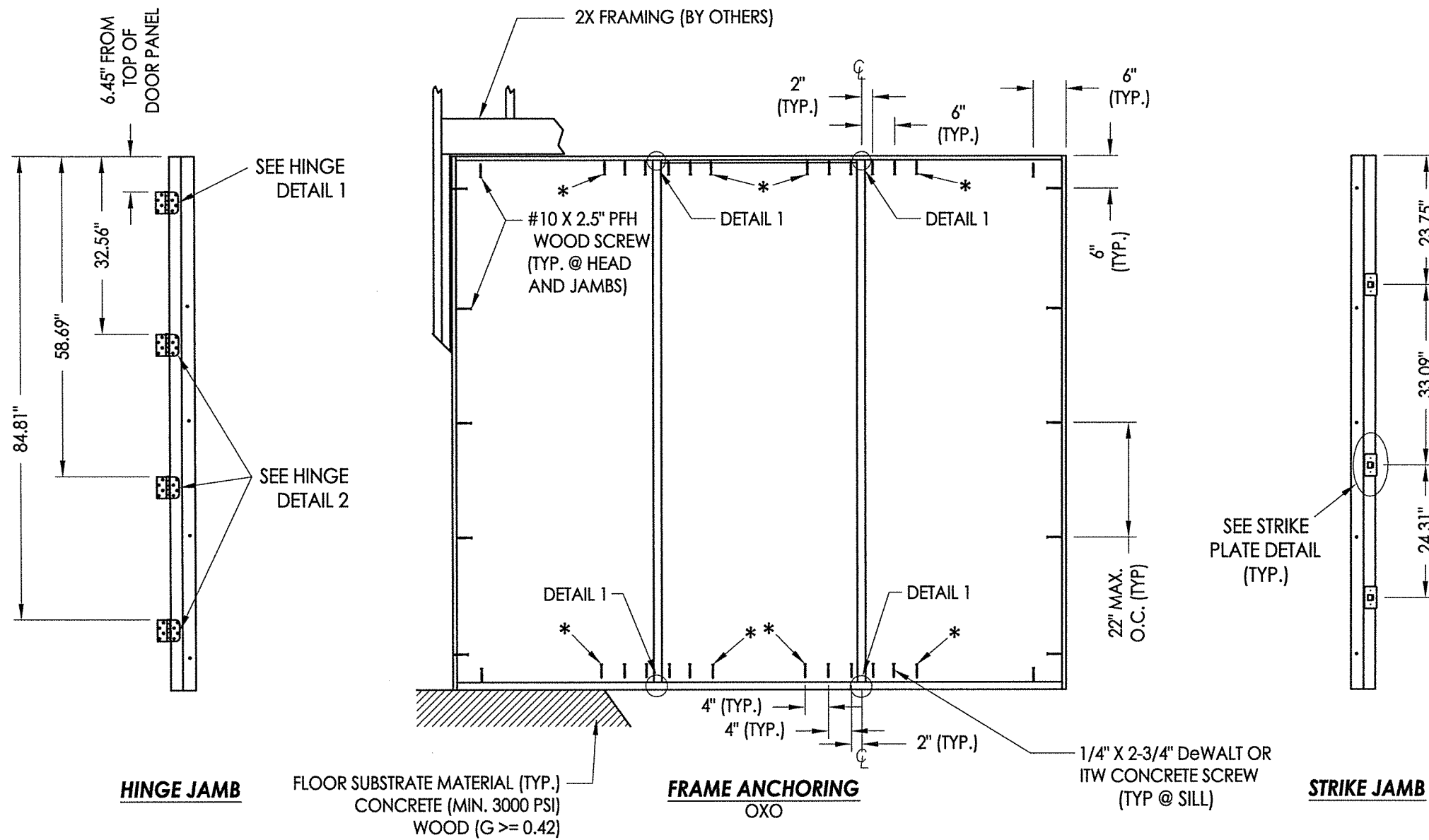


12 OUTSWING THRESHOLD
ZOB4565FN

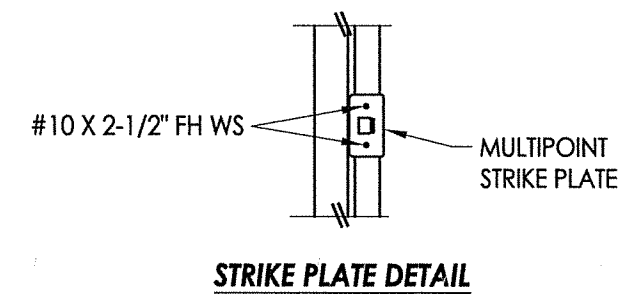
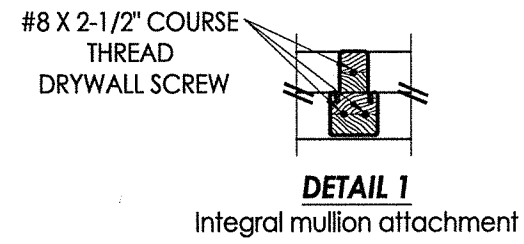


13 OUTSWING THRESHOLD
ZOB4565RDS
MAX. DESIGN PRESSURE = ±55 PSF

Documents Prepared By:	Lyndon F. Schmidt, P.E. TEXAS P.E. #104123
PRODUCT:	ENDURA FIBERGLASS DOOR
PART OR ASSEMBLY:	VERTICAL CROSS SECTIONS
DATE:	11/09/16
SCALE:	N.T.S.
DWG. BY:	JK
CHK. BY:	LFS
DRAWING NO.:	TX-4666
SHEET	8 OF 9



* NOTE: Additional anchors are required for D.P. > 40 PSF.



CONCRETE ANCHOR NOTES:

1. Concrete anchor locations at the corners may be adjusted to maintain the min. edge distance to mortar joints.
2. Concrete anchor locations noted as "MAX. ON CENTER" must be adjusted to maintain the min. edge distance to mortar joints, additional concrete anchors may be required to ensure the "MAX. ON CENTER" dimension are not exceeded.
3. Concrete anchor table:

ANCHOR TYPE	ANCHOR SIZE	MIN. EMBEDMENT	MIN. CLEARANCE TO MASONRY EDGE	MIN. CLEARANCE TO ADJACENT ANCHOR
ITW TAPCON®	1/4"	1-3/4"	1-1/2"	4"
DeWALT ULTRACON®	1/4"	1-3/4"	1"	4"

Documents Prepared By: Lyndon F. Schmidt, P.E.
TEXAS P.E. #104123

RW BUILDING CONSULTANTS, INC.
P.O. Box 230 Valrico FL 33595
Phone No.: 813.659.9197

TEXAS BOARD OF PROFESSIONAL ENGINEERS
CERTIFICATE OF REGISTRATION # F-11852

PRODUCT: ENDURA

PART OR ASSEMBLY: FRAME ANCHORING

NO.	DATE	REVISIONS
2	11/11/21	UPDATE TO 2018 IBC/IRC CODE
1	10/08/18	ADDED FLUSH GLAZING

DATE: 11/09/16

SCALE: N.T.S.

DWG. BY: JK

CHK. BY: LFS

DRAWING NO.: TX-4666

SHEET 9 OF 9