

WINCORE™

WINDOWS & DOORS

250 Staunton Turnpike, Parkersburg, WV 26104

400/500 Series Vinyl Sliding Patio Door "NON-IMPACT"

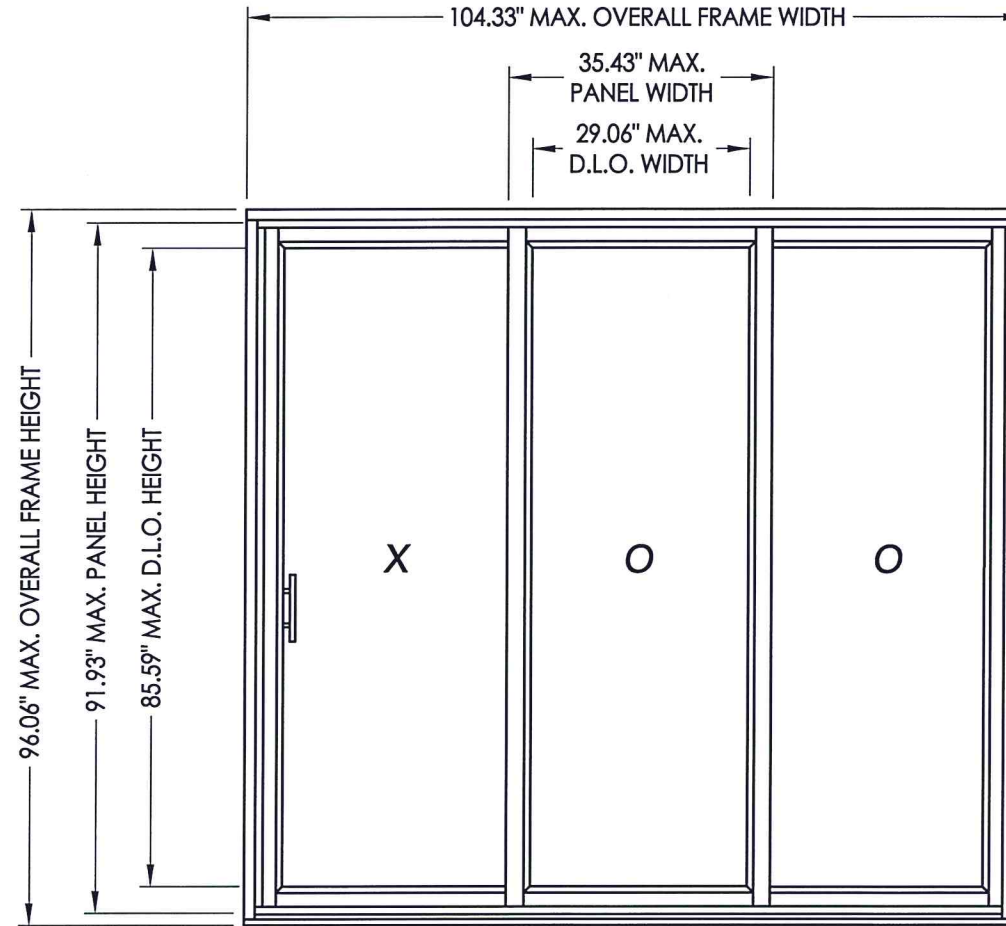
EVALUATED FOR USE IN THE STATE OF TEXAS

TDI DR-676

The Wincore Sliding Patio Door described herein complies with the 2018 International Residential Code (IRC), Sections R301 & R609 and the 2018 International Building Code (IBC), Sections 1404.13, 1609, 1709.5, 2403 and 2404 subject to the following conditions:

1. Anchors shall be as listed and spaced as shown in the details. Anchor embedment to base material shall be beyond wall dressing or stucco.
2. When used in areas requiring wind-borne debris protection this product is required to be protected with an impact resistant covering that complies with Section R301.2.1.2 of the IRC and Section 1609.1.2 of the IBC.
3. Allowable design pressure requirements must be equal to or less than the design pressure rating shown in the design pressure chart, sheet 1 of this drawing.
4. Conditions not covered by this drawing are subject to further engineering analysis.

TABLE OF CONTENTS	
SHEET#	DESCRIPTION
1	Typical elevation, design pressures & general notes
2	Horizontal & vertical cross sections
3	Frame anchoring
4	Glazing details
5	Bill of materials & components



OVERALL FRAME DIMENSION	MAX. PANEL DIMENSION	MAX. D.L.O. DIMENSION	GLASS TYPE	DESIGN PRESSURE (PSF)	
				POSITIVE	NEGATIVE
104.33" x 96.06"	35.43" X 91.93"	29.06" X 85.59"	G1, G2, G3	+35.0	-35.0

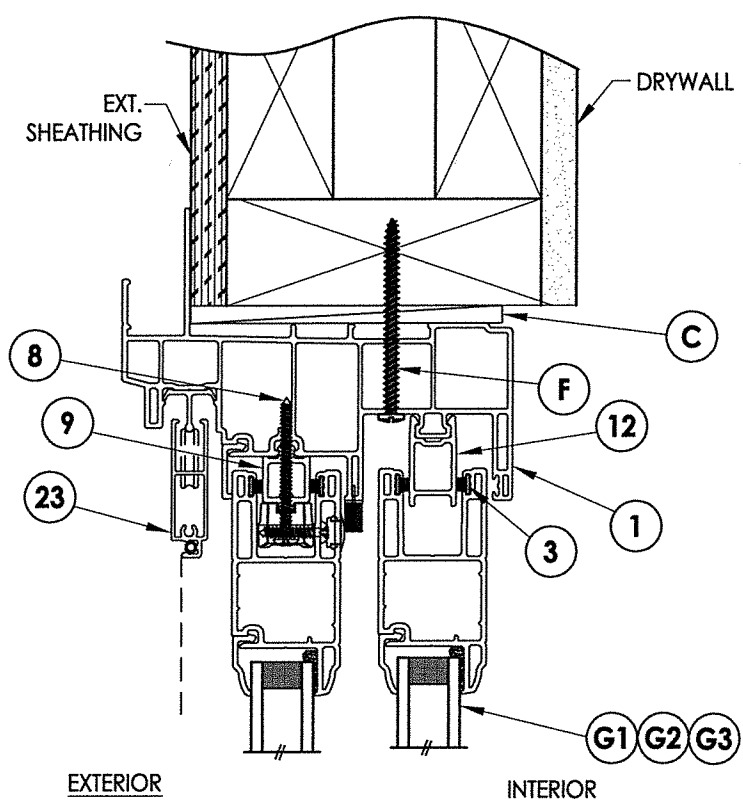
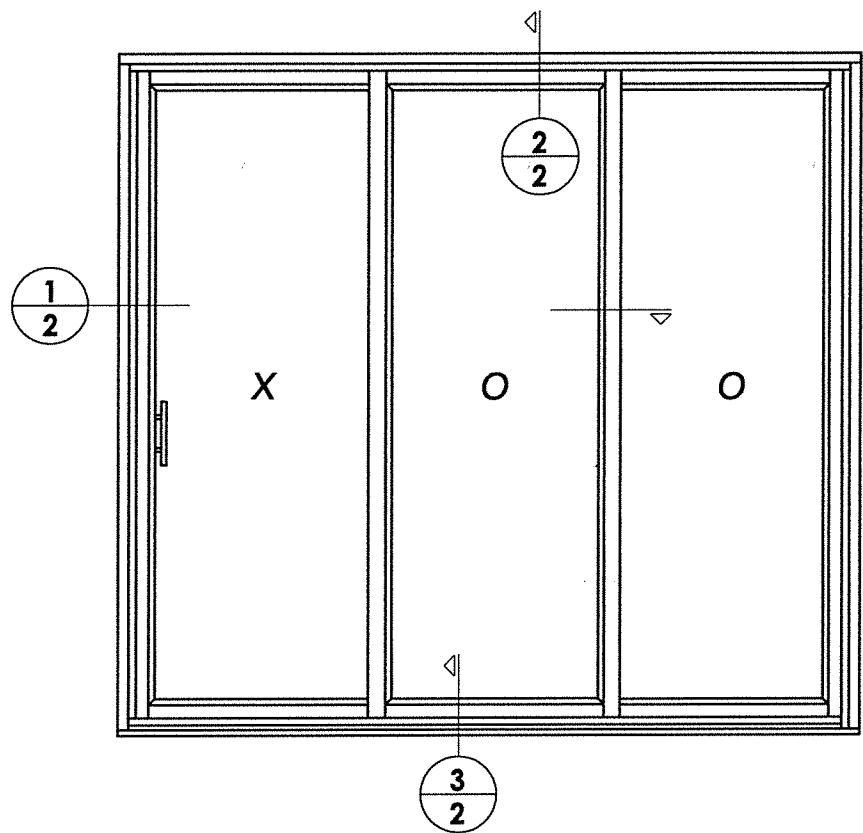


Documents Prepared By: Lyndon F. Schmidt, P.E.
TEXAS P.E. #104123

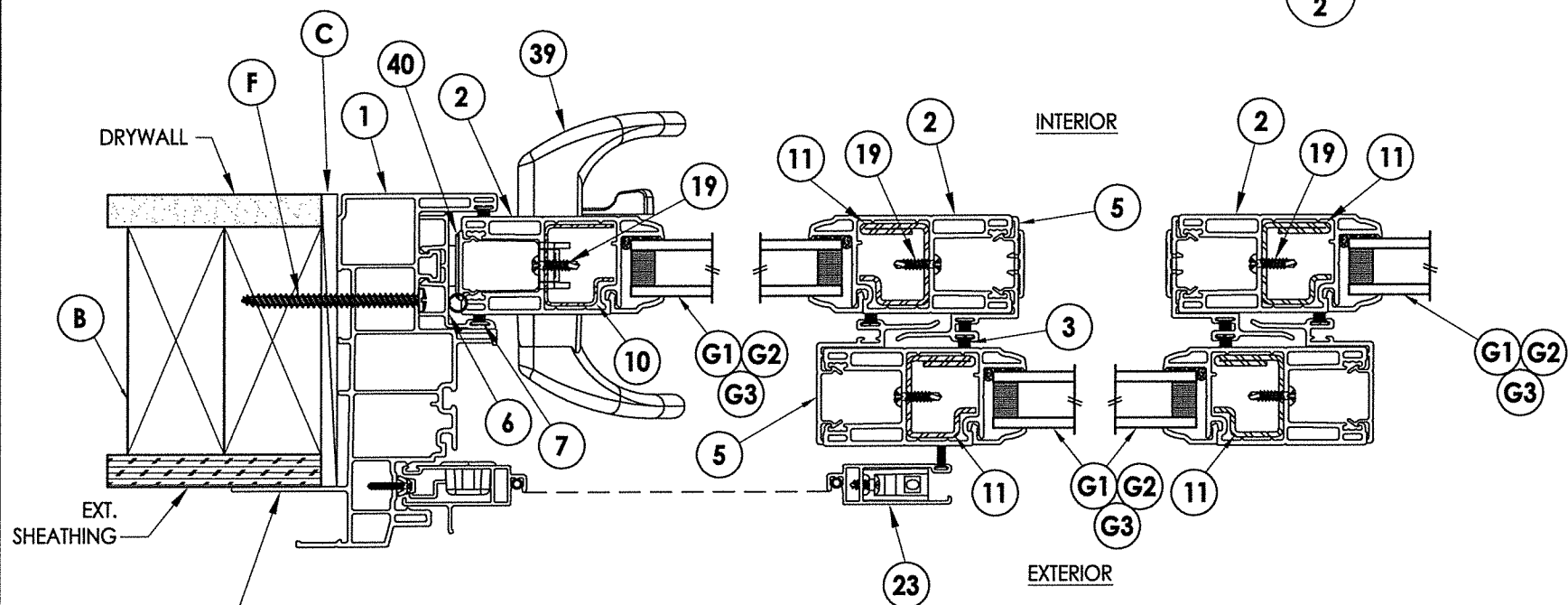
R.W. BUILDING CONSULTANTS, INC.
P.O. Box 230 Valrico FL 33595
Phone No.: 813.659.9197

TEXAS BOARD OF PROFESSIONAL ENGINEERS
CERTIFICATE OF REGISTRATION # F-11852

PRODUCT:	400/500 SERIES SLIDING PATIO DOORS
PART OR ASSEMBLY:	TYPICAL ELEVATION, DESIGN PRESSURES & GENERAL NOTES
DATE	9/4/14
SCALE	N.T.S.
DWG. BY:	JK
CHK. BY:	LFS
DRAWING NO.:	TX-4468
SHEET	1 OF 5

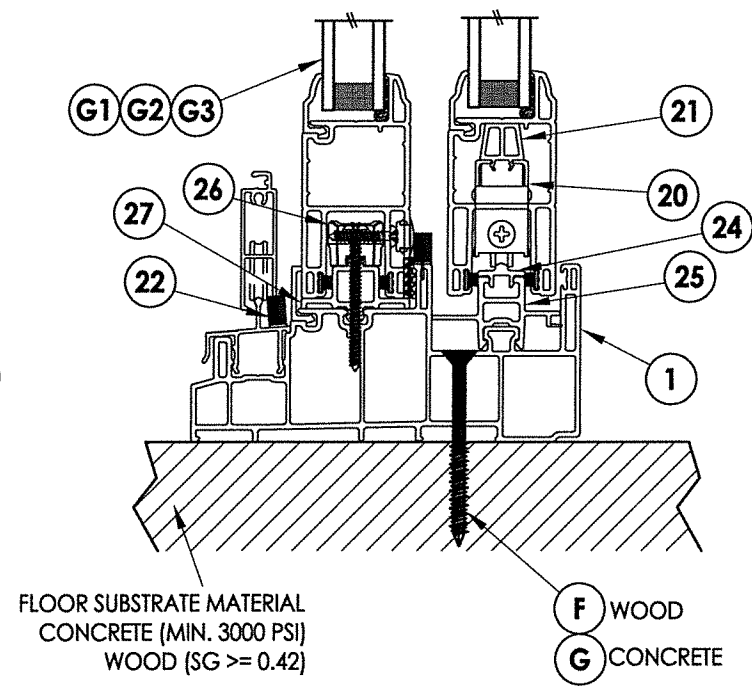


2/2 **VERTICAL CROSS SECTION**

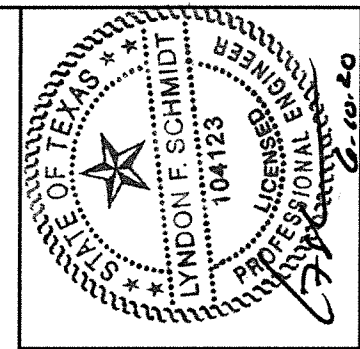


1/2 **HORIZONTAL CROSS SECTION**

NOTE: Install sealant under fin when optional fin installation is used. Anchor through frame as shown - anchors not required through fin.



3/2 **VERTICAL CROSS SECTION**

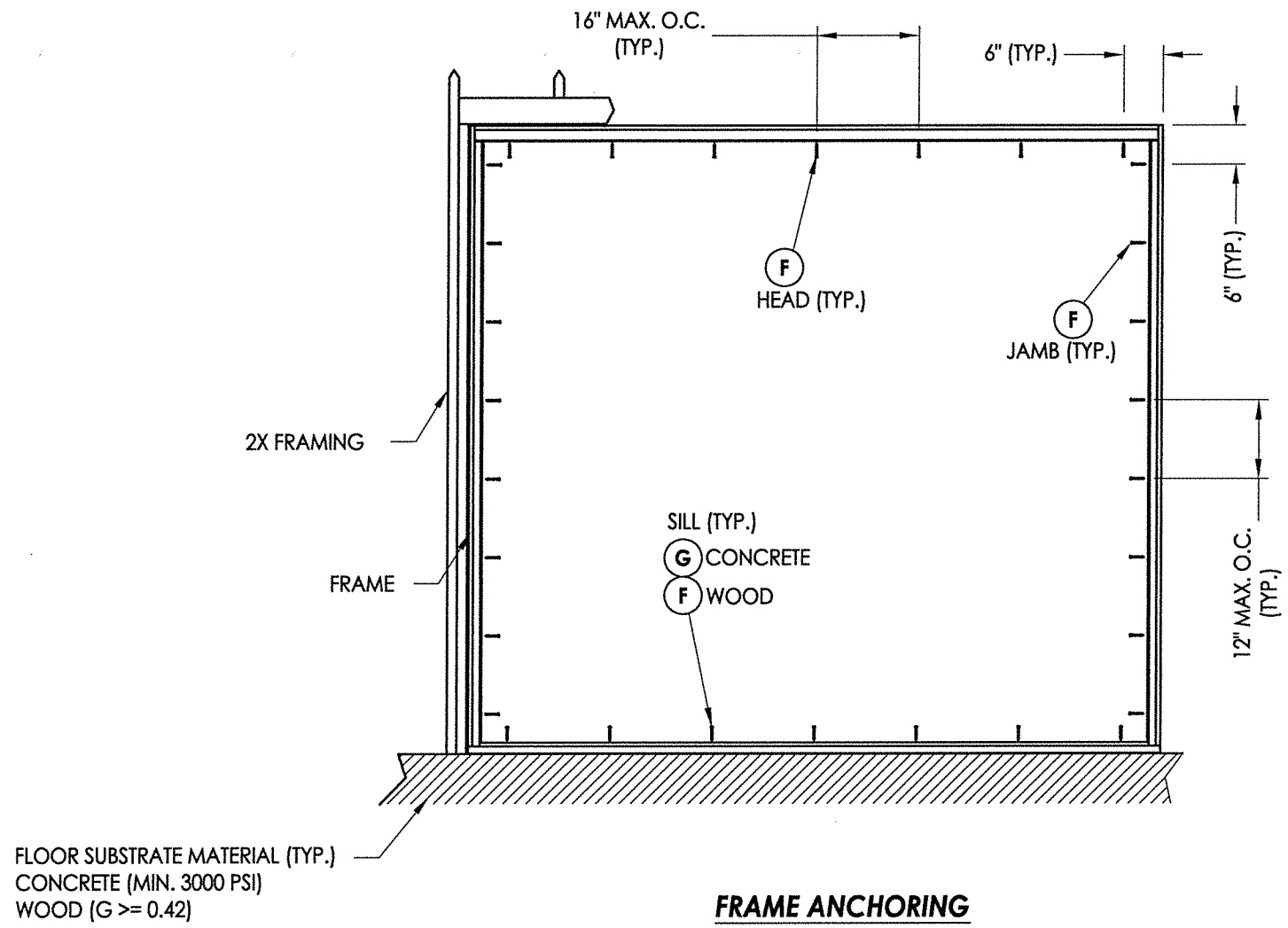


Documents Prepared By: Lyndon F. Schmidt, P.E.
TEXAS P.E. #104123

RW BUILDING CONSULTANTS, INC.
P.O. Box 230 Valrico FL, 33595
Phone No.: 813.659.9197

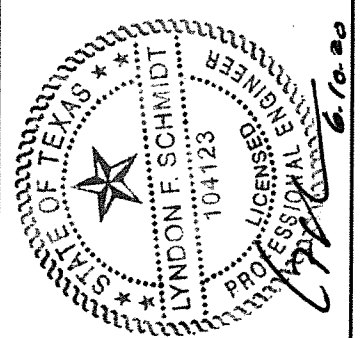
TEXAS BOARD OF PROFESSIONAL ENGINEERS
CERTIFICATE OF REGISTRATION # F-11852

PRODUCT:		400/500 SERIES SLIDING PATIO DOORS	
PART OR ASSEMBLY:		HORIZONTAL & VERTICAL CROSS SECTIONS	
NO.	DATE	BY	REVISIONS
1	6/10/20	LFS	UPDATE TO 2018 IBC/IRC
DATE:	9/4/14		
SCALE:	N.T.S.		
DWG. BY:	JK		
CHK. BY:	LFS		
DRAWING NO.:	TX-4468		
SHEET	2		OF 5



FLOOR SUBSTRATE MATERIAL (TYP.)
 CONCRETE (MIN. 3000 PSI)
 WOOD (G >= 0.42)

FRAME ANCHORING



Documents Prepared By: Lyndon F. Schmidt, P.E.
 TEXAS P.E. #104123
RW BUILDING CONSULTANTS, INC.
 P.O. Box 230 Valrico FL 33595
 Phone No.: 813.659.9197
 TEXAS BOARD OF PROFESSIONAL ENGINEERS
 CERTIFICATE OF REGISTRATION # F-11852

PRODUCT: 400/500 SERIES SLIDING PATIO DOORS
 PART OR ASSEMBLY: FRAME ANCHORING

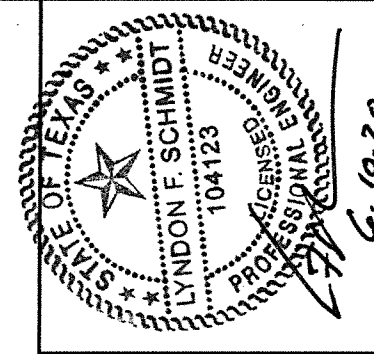
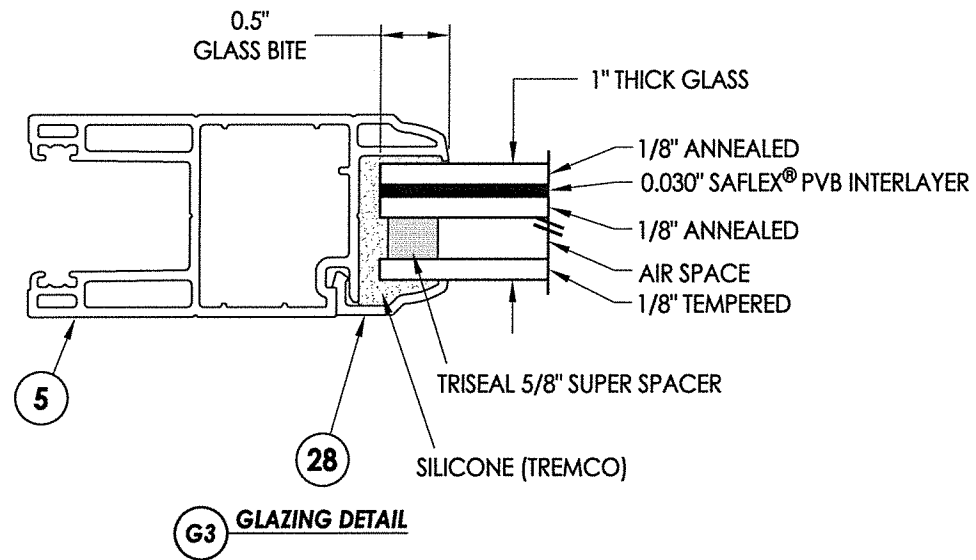
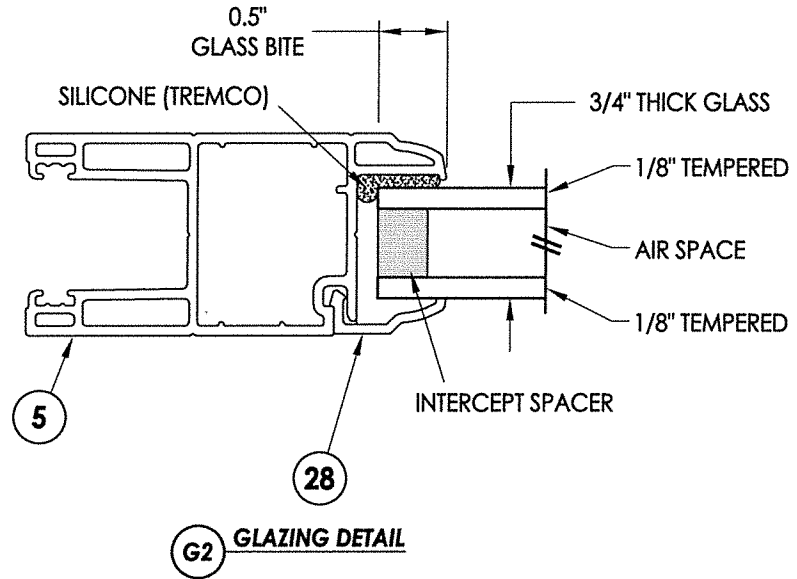
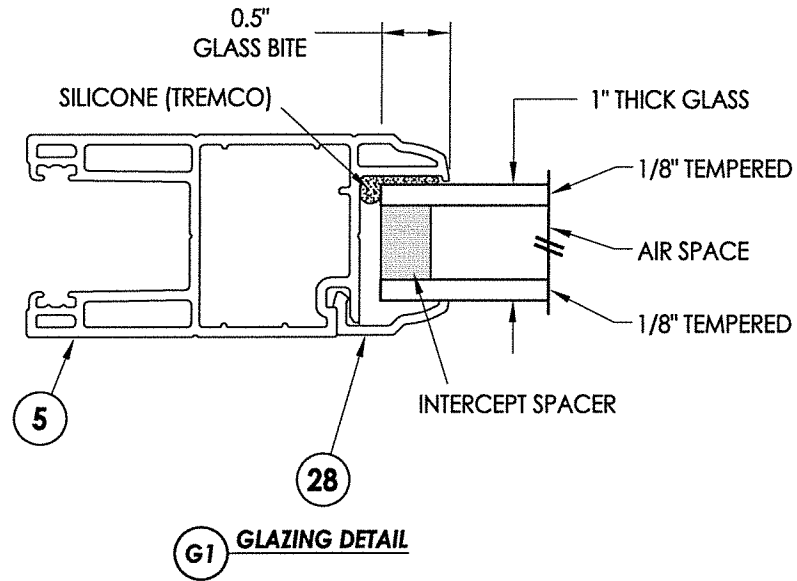
NO.	DATE	BY	REVISIONS
1	6/10/20	LFS	UPDATE TO 2018 IBC/IRC

DATE: 9/4/14
 SCALE: N.T.S.
 DWG. BY: JK
 CHK. BY: LFS
 DRAWING NO.: TX-4468
 SHEET 3 OF 5

CONCRETE ANCHOR NOTES:

- Concrete anchor locations at the corners may be adjusted to maintain the min. edge distance to mortar joints.
- Concrete anchor locations noted as "MAX. ON CENTER" must be adjusted to maintain the min. edge distance to mortar joints, additional concrete anchors may be required to ensure the "MAX. ON CENTER" dimension are not exceeded.
- Concrete anchor table:

ANCHOR TYPE	ANCHOR SIZE	MIN. EMBEDMENT	MIN. CLEARANCE TO MASONRY EDGE	MIN. CLEARANCE TO ADJACENT ANCHOR
ITW TAPCON®	1/4"	1-3/4"	1-1/2"	4"
ELCO ULTRACON®	1/4"	1-3/4"	2-1/2"	3"



Documents Prepared By: Lyndon F. Schmidt, P.E.
TEXAS P.E. #104123

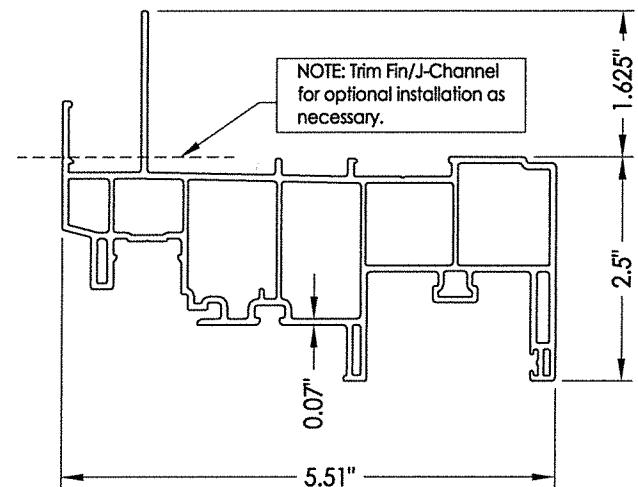
RW BUILDING CONSULTANTS, INC.
P.O. Box 230 Valrico FL 33595
Phone No.: 813.659.9197

TEXAS BOARD OF PROFESSIONAL ENGINEERS
CERTIFICATE OF REGISTRATION # F-11852

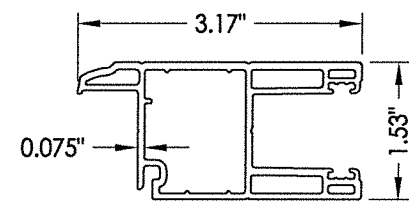
PRODUCT:		400/500 SERIES SLIDING PATIO DOORS	
PART OR ASSEMBLY:		GLAZING DETAILS	
NO.	DATE	BY	REVISIONS
1	6/10/20	LFS	UPDATE TO 2018 IBC/IRC
DATE: 9/4/14			
SCALE: N.T.S.			
DWG. BY: JK			
CHK. BY: LFS			
DRAWING NO.: TX-4468			
SHEET 4 OF 5			

BILL OF MATERIALS		
ITEM #	DESCRIPTION	MATERIAL
B	2X FRAMING (SG >= 0.42)	WOOD
C	1/4" MAX. SHIM SPACE	-
F	#10 PPH WOOD SCREW (1-3/8" MIN. EMBEDMENT REQ'D INTO WOOD)	STEEL
G	1/4" ELCO OR ITW CONCRETE SCREW (1-1/4" MIN. EMBEDMENT REQ'D. INTO CONCRETE)	STEEL
1	FRAME*	PVC
2	STILE/RAIL*	PVC
3	WEATHERSTRIP (SCHLEGEL #HF-7522-270)	-
4	GLAZING BEAD*	PVC
5	INTERLOCK*	PVC
6	JAMB TRACK*	PVC
7	WEATHERSTRIP (SCHLEGEL #PB-8420-187)	-
8	#8 X 2" PAN HEAD QUADREX SCREW	STEEL
9	FIXED SUPPORT PANEL*	PVC
10	STILE REINFORCEMENT	STEEL
11	STILE REINFORCEMENT	STEEL
12	HEAD TRACK*	PVC
19	#8 X 5/8" PAN HEAD, SQUARE, SELF-DRILLING SCREW	STEEL
20	TANDEM WHEEL (TRUTH)	-
21	TANDEM WHEEL SHIM*	PVC
22	INSECT STOP	-
23	SCREEN	-
24	SLIDING PANEL RAIL	ALUM
25	OPERATING PANEL SUPPORT*	PVC
26	FIXED SASH ANCHOR BLOCK	-
27	FIXED PANEL SUPPORT*	PVC
39	HANDLE KIT	STEEL
40	MORTISE LOCK KIT/KEEPER	S.S.

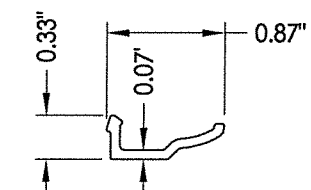
* THE APPROVED WHITE RIGID PVC EXTRUSIONS FOR WINDOWS ARE TO BE PRODUCED BY EXTRUDERS LICENSEES IN "CERTIFICATION PROGRAMS FOR RIGID PVC EXTRUSIONS".



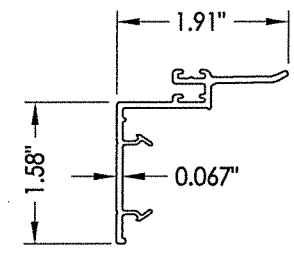
1 FRAME



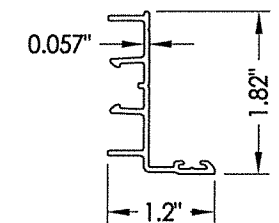
2 STILE/RAIL



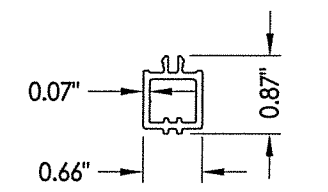
4 GLAZING BEAD



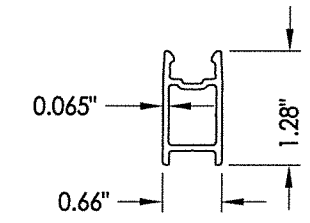
5 INTERLOCK



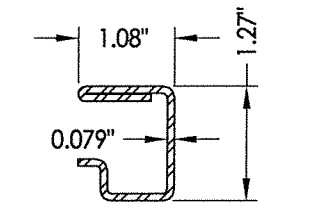
6 JAMB TRACK



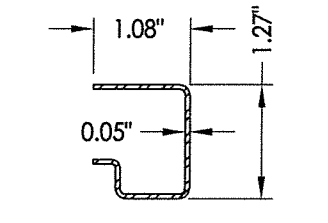
9 FIXED SUPPORT PANEL



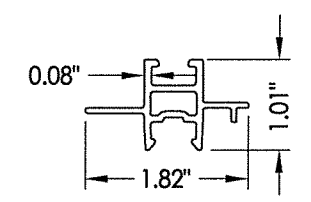
12 HEAD TRACK



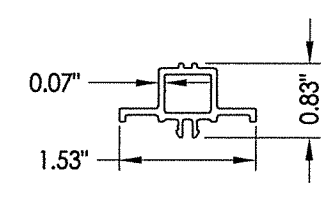
10 STILE REINFORCEMENT



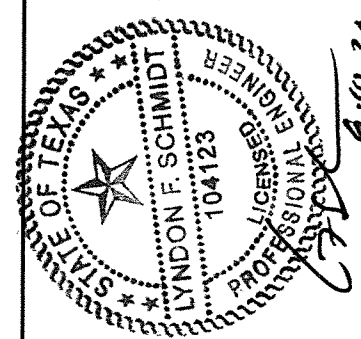
11 STILE REINFORCEMENT



25 OPERATING PANEL SUPPORT



27 FIXED PANEL SUPPORT



Documents Prepared By: Lyndon F. Schmidt, P.E.
TEXAS P.E. #104123

RW BUILDING CONSULTANTS, INC.
P.O. Box 230 Valrico FL, 33595
Phone No.: 813.659.9197

TEXAS BOARD OF PROFESSIONAL ENGINEERS
CERTIFICATE OF REGISTRATION # F-11852

PRODUCT: 400/500 SERIES SLIDING PATIO DOORS

PART OR ASSEMBLY: BILL OF MATERIALS & COMPONENTS

NO.	DATE	BY	REVISIONS
1	6/10/20	LFS	UPDATE TO 2018 IBC/IRC

DATE: 9/4/14
SCALE: N.T.S.
DWG. BY: JK
CHK. BY: LFS
DRAWING NO.: TX-4468
SHEET 5 OF 5