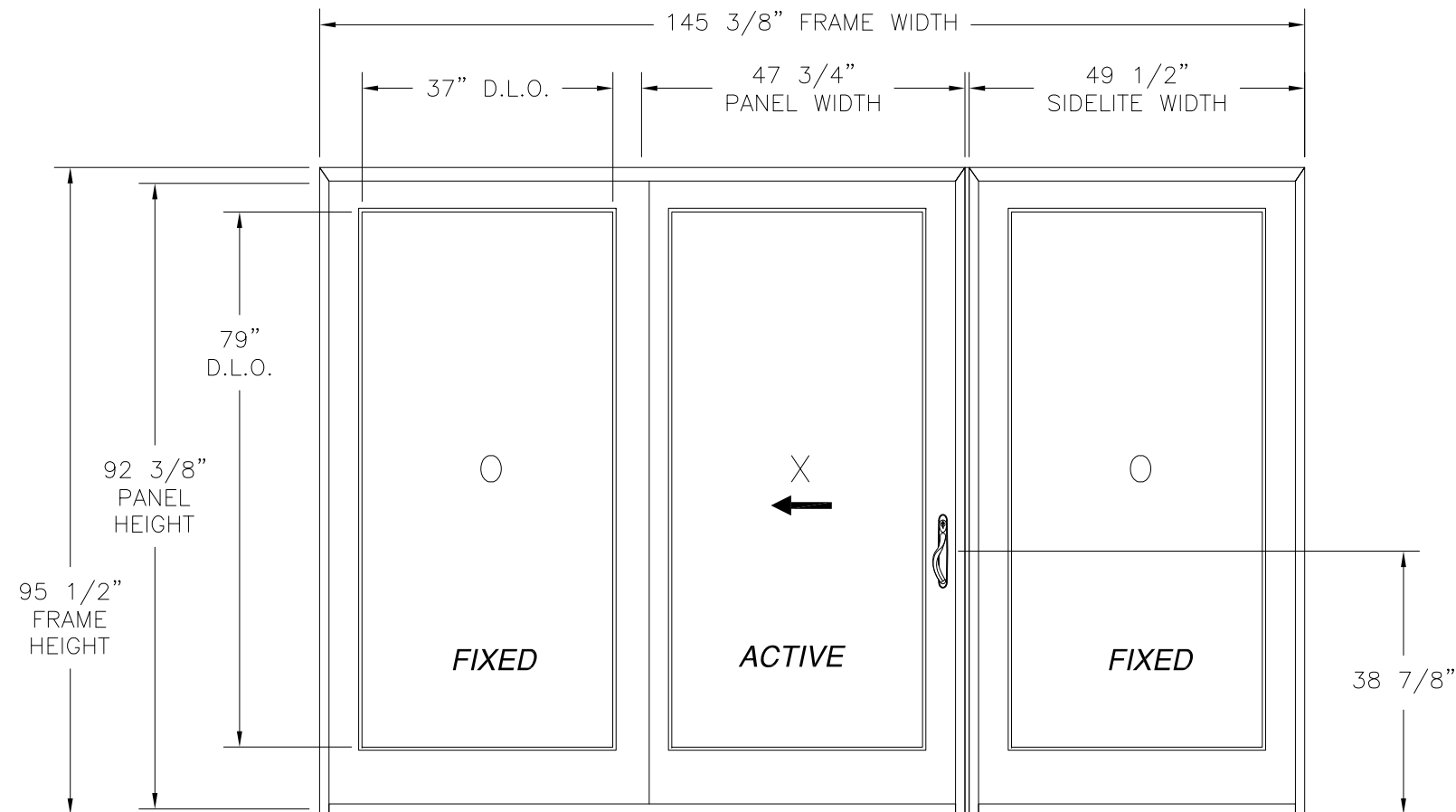


REVISIONS			
REV	DESCRIPTION	DATE	APPROVED
A	REVISED PER NEW REQUIREMENTS	12/17/19	R.L.



SERIES SRS GLIDING PATIO DOOR W/FIELD MULLION W/ SIDELITE
EXTERIOR VIEW

NOTES:

1. THE PRODUCT SHOWN HEREIN IS DESIGNED AND MANUFACTURED TO COMPLY WITH REQUIREMENTS OF THE 2006 IRC, 2006 IBC WITH STATE OF TEXAS MODIFICATIONS AND WITH THE 2015 IBC, 2015 IRC, 2018 IBC AND 2018 IRC.
2. WOOD FRAMING AND MASONRY OPENING TO BE DESIGNED AND ANCHORED TO PROPERLY TRANSFER ALL LOADS TO STRUCTURE. FRAMING AND MASONRY OPENING IS THE RESPONSIBILITY OF THE ARCHITECT OR ENGINEER OF RECORD.
3. 1X BUCK OVER MASONRY/CONCRETE IS OPTIONAL. WHERE 1X BUCK IS NOT USED DISSIMILAR MATERIALS MUST BE SEPARATED WITH APPROVED COATING OR MEMBRANE. SELECTION OF COATING OR MEMBRANE IS THE RESPONSIBILITY OF THE ARCHITECT OR ENGINEER OF RECORD.
4. UNITS MUST BE GLAZED PER ASTM E1300-04/09, SEE SHEET 3 FOR GLASS DETAILS.
5. APPROVED IMPACT PROTECTIVE SYSTEM IS NOT REQUIRED FOR THIS PRODUCT IN WIND BORNE DEBRIS REGIONS.
6. FRAME JAMB AND HEAD MATERIAL: CO-EXTRUDED PVC FOAM 1 1/2" THICK.
7. FRAME SILL MATERIAL: CO-EXTRUDED PVC FOAM 2" THICK WITH ALUMINUM CLADDING .063" THICK.
8. DOOR PANEL AND SIDELITE MATERIAL: .075" THICK FIBERGLASS SKIN WITH PVC FOAM TOP AND BOTTOM RAILS, AND PVC FOAM VERTICAL STILES WITH PINE REINFORCEMENTS AND POLYURETHANE FOAM CORE.
9. APPROVED CONFIGURATIONS: OX, XO, AND OXO. SEE SHEET 2.

DESIGN PRESSURE RATING	IMPACT RATING
±50.0PSF	LARGE AND SMALL MISSILE IMPACT

MISSILE LEVEL D, WIND ZONE 4

(3) PANELS SHOWN, UNITS UP TO 3 PANELS IN UNLIMITED CONFIGURATIONS ARE APPROVED AS LONG AS INDIVIDUAL PANEL AREA DOES NOT EXCEED 30.63 FT²

SIGNED: 01/21/2020

TABLE OF CONTENTS	
SHEET NO.	DESCRIPTION
1	OX/O ELEVATION AND NOTES
2	ADDITIONAL CONFIGURATIONS, ANCHOR LAYOUTS & HARDWARE
3 - 5	INSTALLATION DETAILS
6	COMPONENTS

NAN YA PLASTICS CORP. USA
8989 NORTH LOOP EAST
HOUSTON, TX 77029

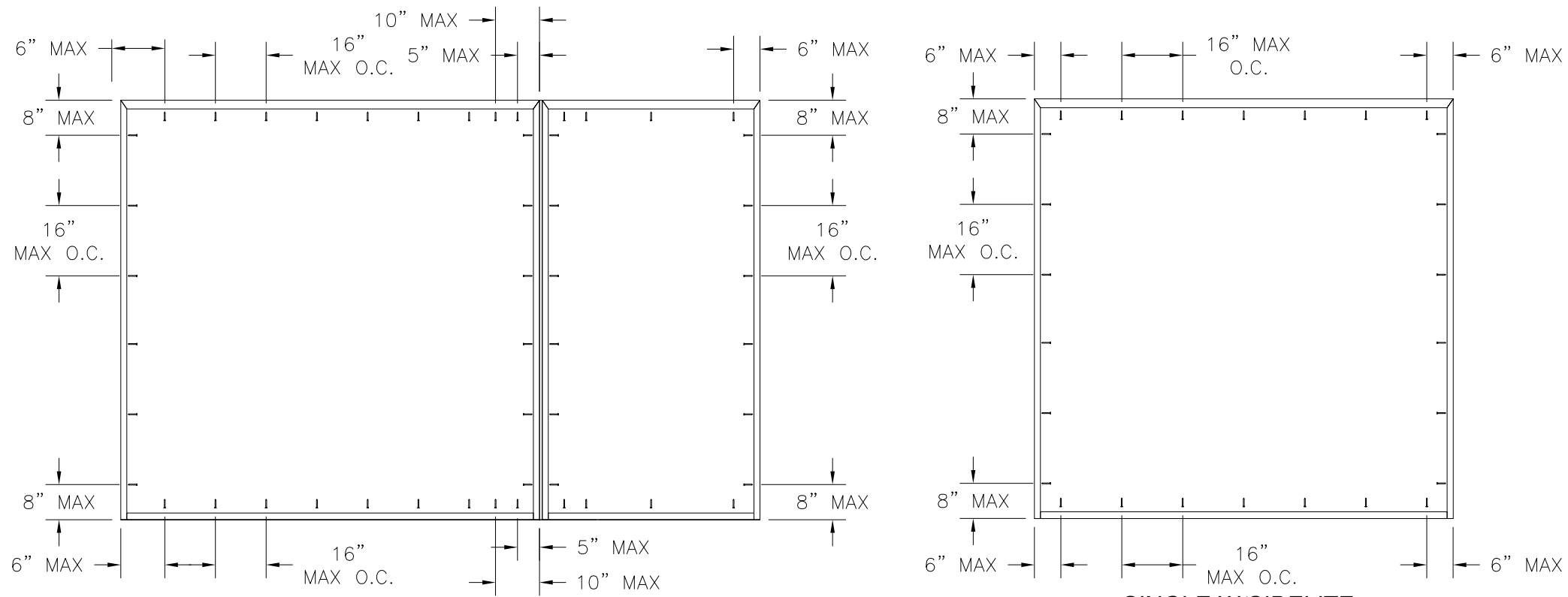
SERIES SRS GLIDING DOOR W/FIELD MULLION
FIBERGLASS SLIDING DOOR W/SIDELITES
OXO ELEVATION AND NOTES

DRAWN: LMP	DWG NO. 08-01541	REV A
SCALE NTS	DATE 05/14/12	SHEET 1 OF 6

L. ROBERTO LOMAS P.E.
1432 WOODFORD RD LEWISVILLE, NC 27023
434-688-0609 rllomas@lrlomaspe.com



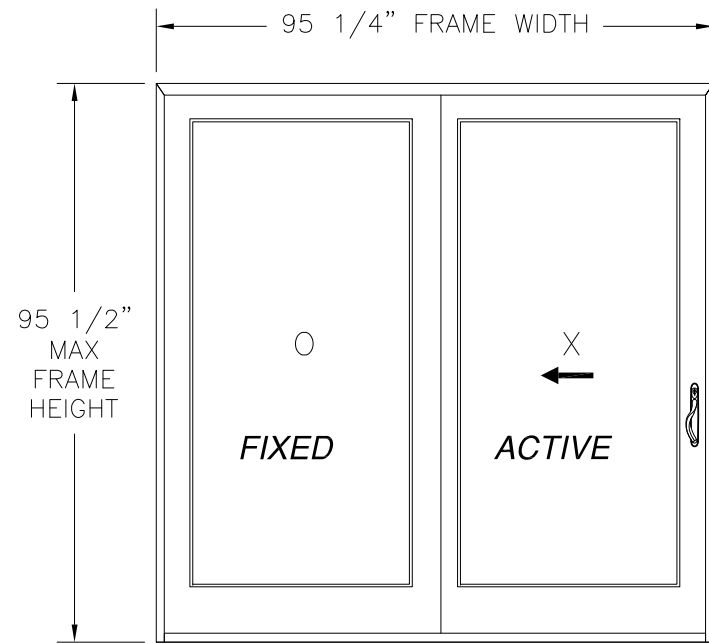
Luis R. Lomas P.E.
TX No.: 101889



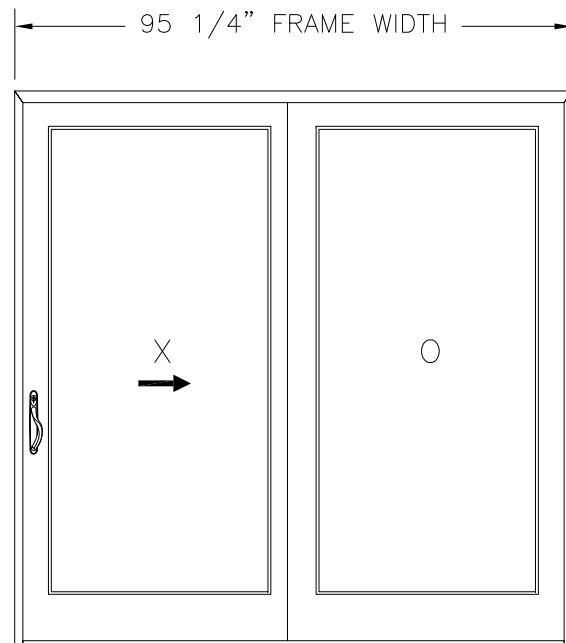
SINGLE W/SIDELITES (MULL)
EXTERIOR VIEW

SINGLE W/SIDELITE
EXTERIOR VIEW

REVISIONS			
REV	DESCRIPTION	DATE	APPROVED
A	REVISED PER NEW REQUIREMENTS	12/17/19	R.L.



SINGLE W/SIDELITE
EXTERIOR VIEW



SINGLE W/SIDELITE
EXTERIOR VIEW

ANCHORING NOTES:

1. SHIM AS REQUIRED AT EACH INSTALLATION ANCHOR WITH LOAD BEARING SHIM. SHIM WHERE SPACE OF 1/16" OR GREATER OCCURS. MAXIMUM ALLOWABLE SHIM STACK TO BE 1/4".
2. FOR ANCHORING INTO WOOD FRAMING OR 2X BUCK USE #12 WOOD SCREWS WITH SUFFICIENT LENGTH TO ACHIEVE A 1 1/4" MINIMUM EMBEDMENT INTO SUBSTRATE. LOCATE ANCHORS AS SHOWN IN ELEVATIONS AND INSTALLATION DETAILS.
3. FOR ANCHORING INTO MASONRY/CONCRETE USE 1/4" TAPCONS WITH SUFFICIENT LENGTH TO ACHIEVE A 1 1/4" MINIMUM EMBEDMENT INTO SUBSTRATE WITH 1 1/2" MINIMUM EDGE DISTANCE. LOCATE ANCHORS AS SHOWN IN ELEVATIONS AND INSTALLATION DETAILS.
4. ALL FASTENERS TO BE CORROSION RESISTANT.
5. INSTALLATION ANCHORS SHALL BE INSTALLED IN ACCORDANCE WITH ANCHOR MANUFACTURER'S INSTALLATION INSTRUCTIONS AND ANCHORS SHALL NOT BE USED IN SUBSTRATES WITH STRENGTHS LESS THAN THE MINIMUM STRENGTH SPECIFIED BELOW:
 - A. WOOD – MINIMUM SPECIFIC GRAVITY OF G=0.42
 - B. CONCRETE – MINIMUM COMPRESSIVE STRENGTH OF 3,192 PSI.
 - C. MASONRY – GROUT FILLED STRENGTH CONFORMANCE TO ASTM C-90, GRADE N, TYPE 1 (OR GREATER).

SIGNED: 01/21/2020

HARDWARE SCHEDULE	
A.	4 POINT LOCKING SYSTEM
B.	(1) DIE CAST HANDLE SET
C.	(2) STAINLESS STEEL TANDEM ROLLERS
D.	ALUMINUM & PVC FOAM ASTRAGAL BY NAN YA PLASTICS
E.	ALUMINUM & PVC FOAM MULLION BY NAN YA PLASTICS

NAN YA PLASTICS CORP. USA
8989 NORTH LOOP EAST
HOUSTON, TX 77029

SERIES SRS GLIDING DOOR W/FIELD MULLION
FIBERGLASS SLIDING DOOR W/SIDELITES
ADDITIONAL CONFIGURATIONS AND HARDWARE

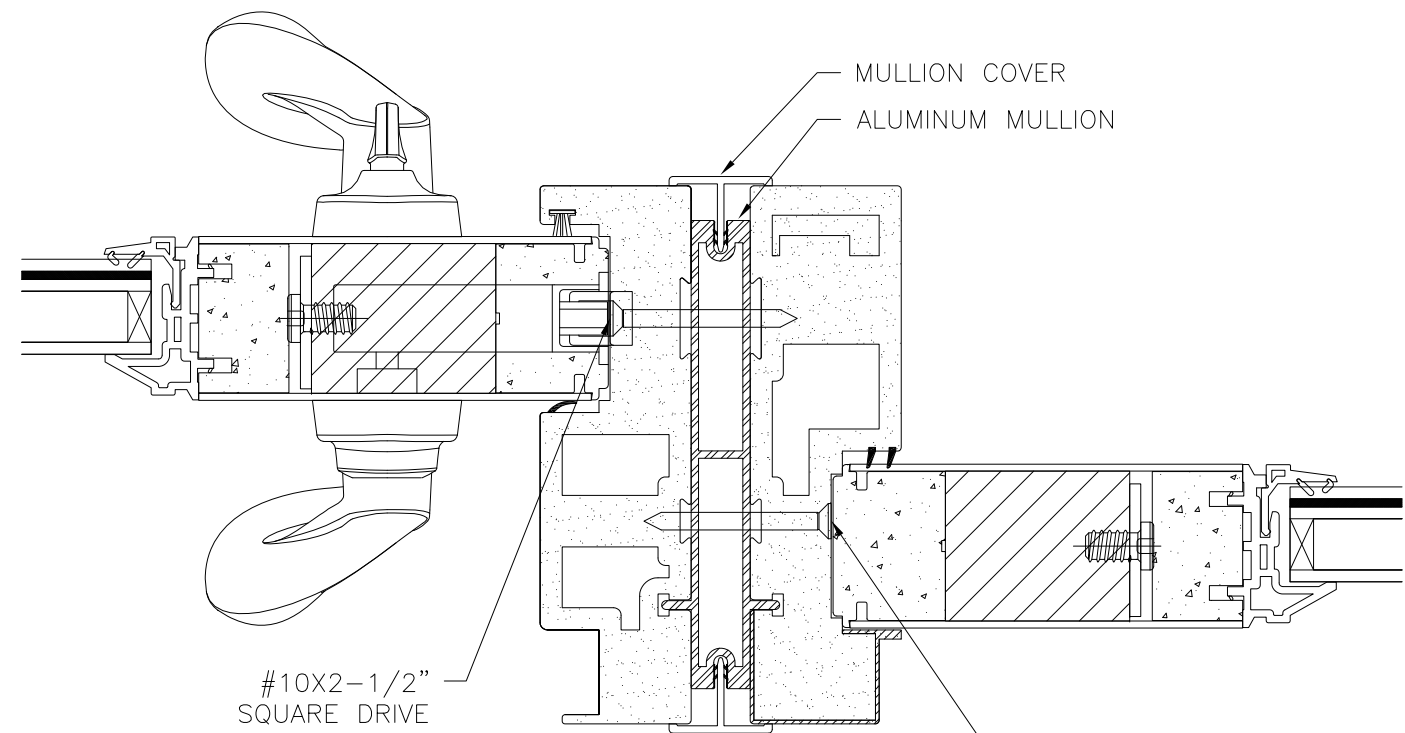
DRAWN: LMP	DWG NO. 08-01541	REV A
SCALE NTS	DATE 05/14/12	SHEET 2 OF 6

L. ROBERTO LOMAS P.E.
1432 WOODFORD RD LEWISVILLE, NC 27023
434-688-0609 rllomas@rlomaspe.com



Luis R. Lomas P.E.
TX No.: 101889

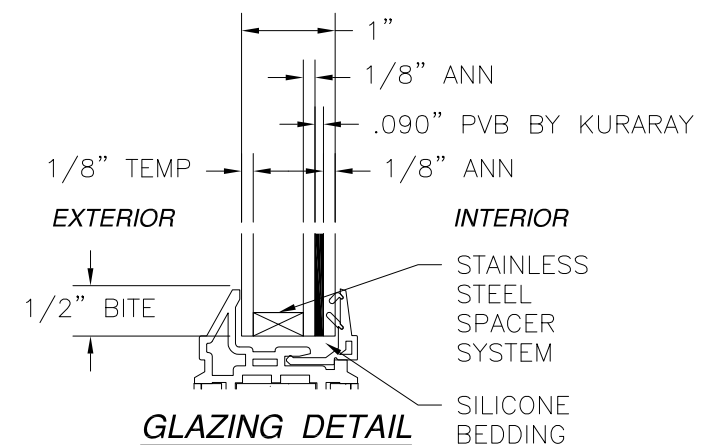
REVISIONS			
REV	DESCRIPTION	DATE	APPROVED
A	REVISED PER NEW REQUIREMENTS	12/17/19	R.L.



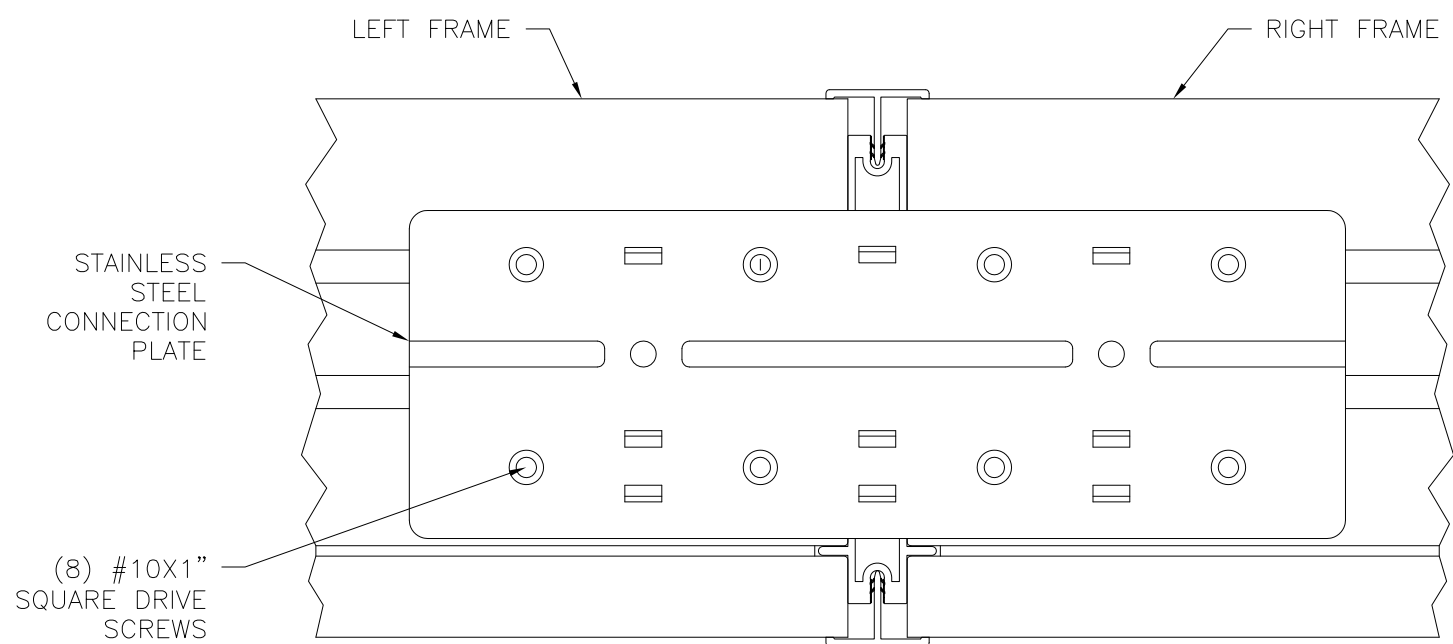
#10X2-1/2"
SQUARE DRIVE
SCREW
SEE SHEET 2
FOR LOCATIONS

MULLION DETAIL

#10X2-1/2"
SQUARE DRIVE
SCREW
SEE SHEET 2
FOR LOCATIONS



GLAZING DETAIL



FRAME CONNECTION DETAIL

SIGNED: 01/21/2020

NAN YA PLASTICS CORP. USA
8989 NORTH LOOP EAST
HOUSTON, TX 77029

SERIES SRS GLIDING DOOR W/FIELD MULLION
FIBERGLASS SLIDING DOOR W/SIDELITES
INSTALLATION DETAILS

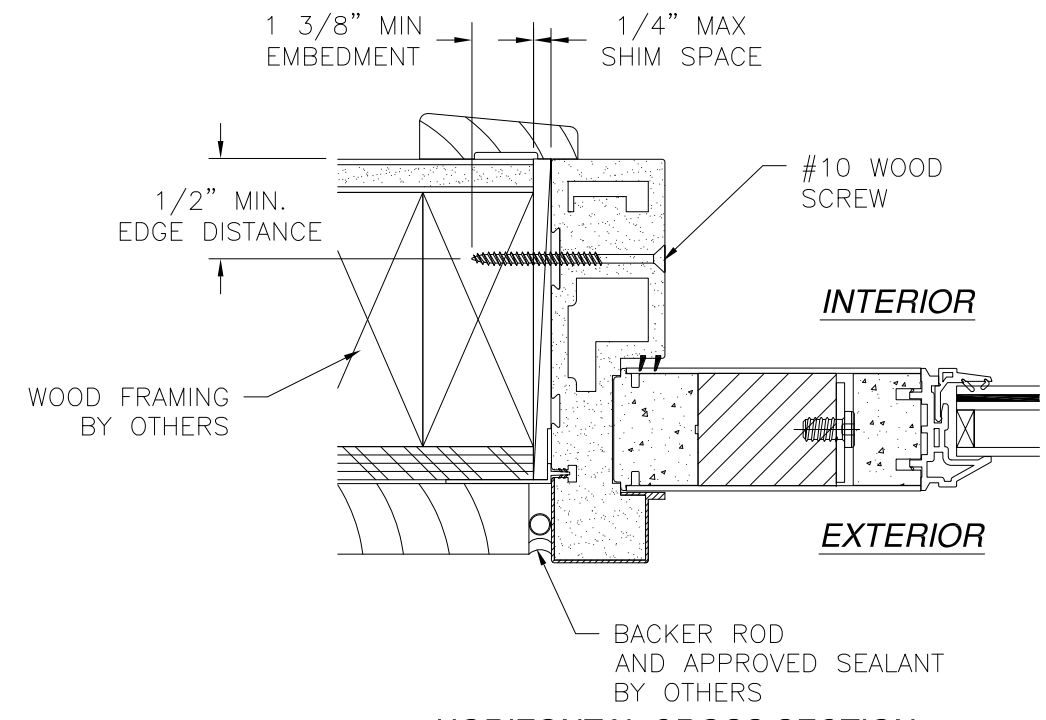
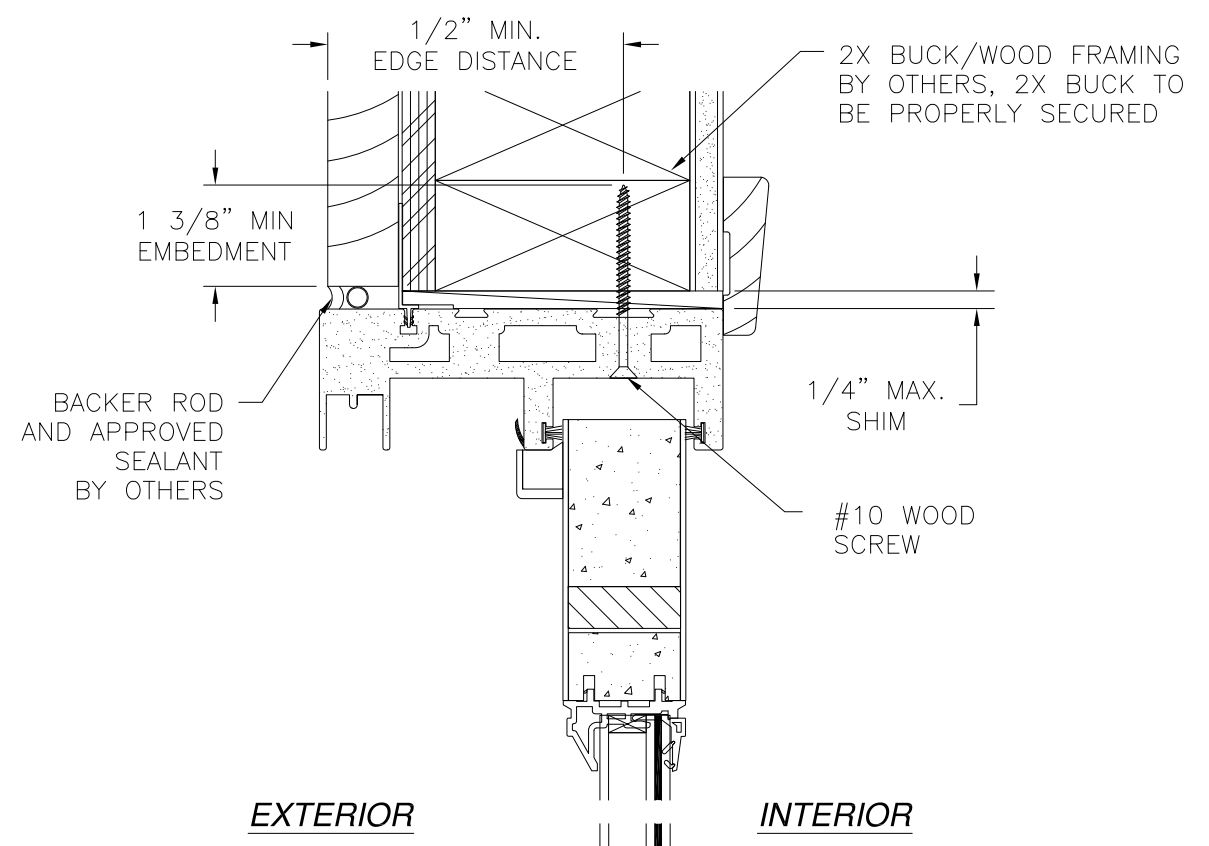
DRAWN: LMP	DWG NO. 08-01541	REV A
SCALE NTS	DATE 05/14/12	SHEET 3 OF 6

L. ROBERTO LOMAS P.E.
1432 WOODFORD RD LEWISVILLE, NC 27023
434-688-0609 rllomas@rlomaspe.com

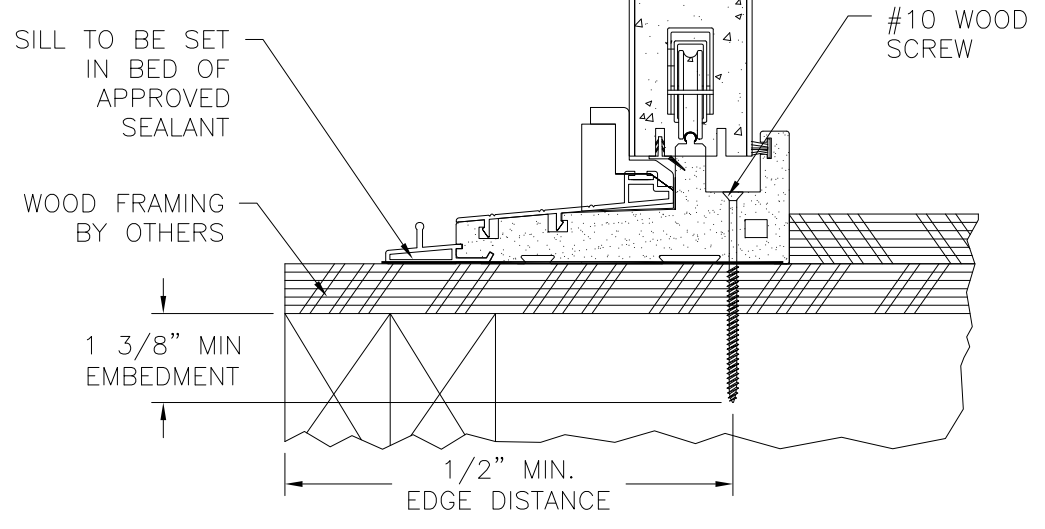


Luis R. Lomas P.E.
TX No.: 101889

REVISIONS			
REV	DESCRIPTION	DATE	APPROVED
A	REVISED PER NEW REQUIREMENTS	12/17/19	R.L.



HORIZONTAL CROSS SECTION
2X BUCK/WOOD FRAMING INSTALLATION



VERTICAL CROSS SECTION
DOOR SHOWN, SIDELITE SIMILAR
2X BUCK/WOOD FRAMING INSTALLATION

- NOTES:**
1. INTERIOR AND EXTERIOR FINISHES, BY OTHERS, NOT SHOWN FOR CLARITY.
 2. PERIMETER AND JOINT SEALANT BY OTHERS TO BE DESIGNED IN ACCORDANCE WITH ASTM E2112

SIGNED: 01/21/2020

NAN YA PLASTICS CORP. USA
8989 NORTH LOOP EAST
HOUSTON, TX 77029

SERIES SRS GLIDING DOOR W/FIELD MULLION
FIBERGLASS SLIDING DOOR W/SIDELITES
INSTALLATION DETAILS

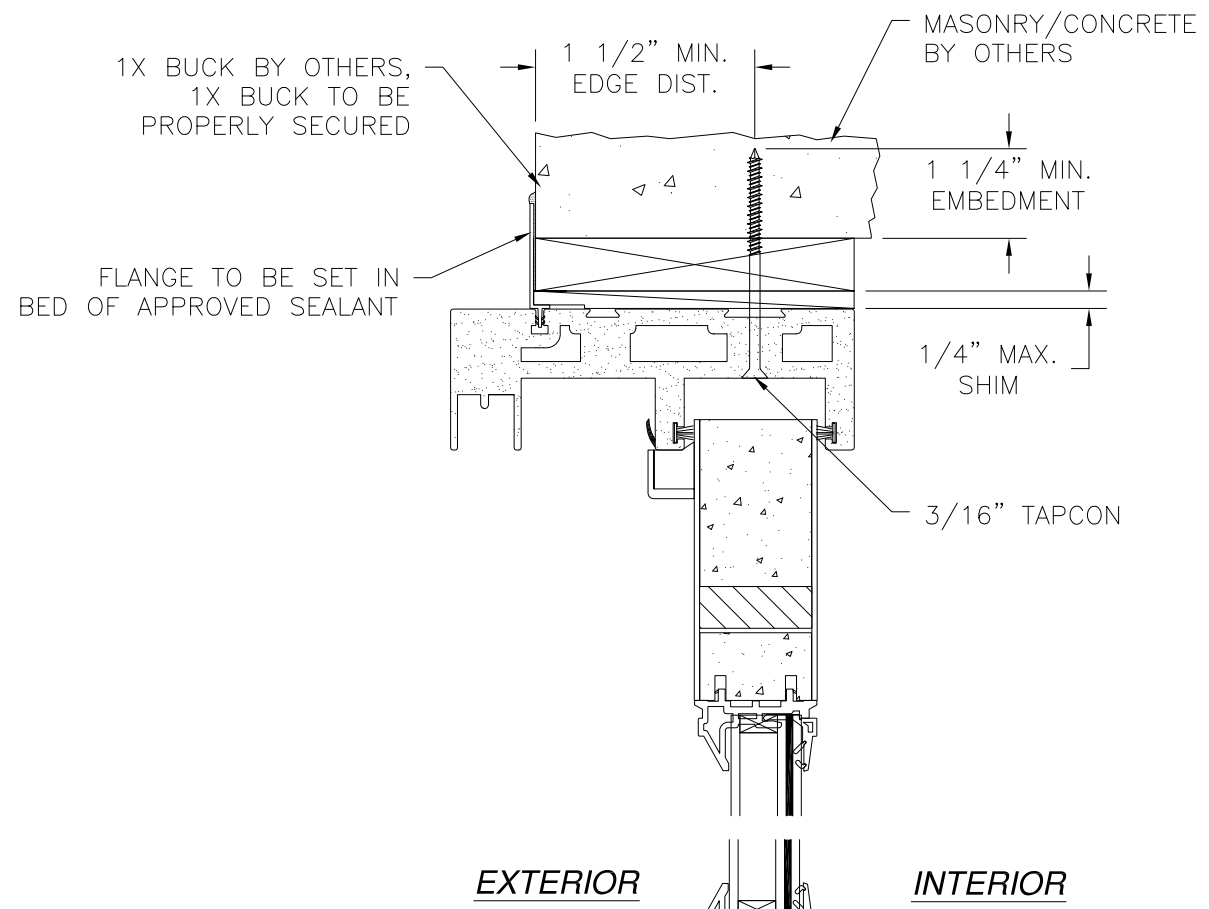
DRAWN: LMP	DWG NO. 08-01541	REV A
SCALE NTS	DATE 05/14/12	SHEET 4 OF 6

L. ROBERTO LOMAS P.E.
1432 WOODFORD RD LEWISVILLE, NC 27023
434-688-0609 rllomas@rlomaspe.com



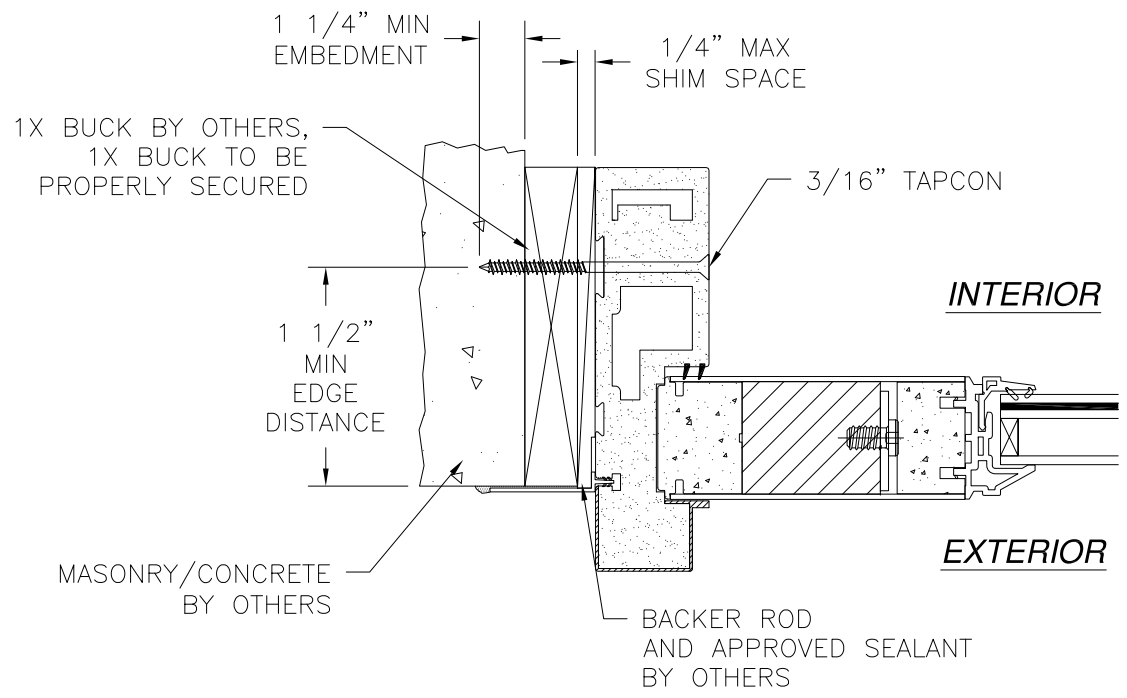
Luis R. Lomas P.E.
TX No.: 101889

REVISIONS			
REV	DESCRIPTION	DATE	APPROVED
A	REVISED PER NEW REQUIREMENTS	12/17/19	R.L.



EXTERIOR **INTERIOR**

VERTICAL CROSS SECTION
MASONRY/CONCRETE INSTALLATION
DOOR SHOWN SIDELITE SIMILAR



INTERIOR

EXTERIOR

HORIZONTAL CROSS SECTION
MASONRY/CONCRETE INSTALLATION

- NOTES:**
1. INTERIOR AND EXTERIOR FINISHES, BY OTHERS, NOT SHOWN FOR CLARITY.
 2. PERIMETER AND JOINT SEALANT BY OTHERS TO BE DESIGNED IN ACCORDANCE WITH ASTM E2112

SIGNED: 01/21/2020

NAN YA PLASTICS CORP. USA
8989 NORTH LOOP EAST
HOUSTON, TX 77029

SERIES SRS GLIDING DOOR W/FIELD MULLION
FIBERGLASS SLIDING DOOR W/SIDELITES
INSTALLATION DETAILS

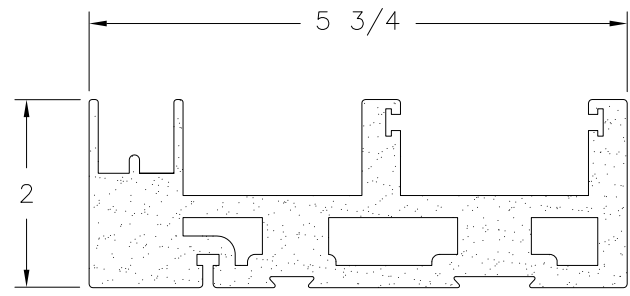
DRAWN: LMP	DWG NO. 08-01541	REV A
SCALE NTS	DATE 05/14/12	SHEET 5 OF 6

L. ROBERTO LOMAS P.E.
1432 WOODFORD RD LEWISVILLE, NC 27023
434-688-0609 rllomas@rlomaspe.com

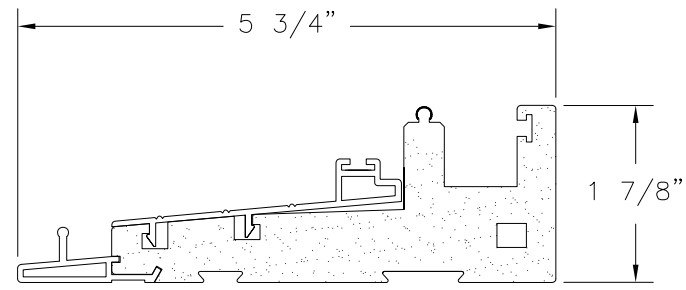


Luis R. Lomas P.E.
TX No.: 101889

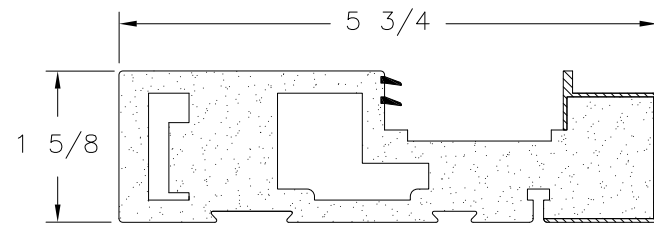
REVISIONS			
REV	DESCRIPTION	DATE	APPROVED
A	REVISED PER NEW REQUIREMENTS	12/17/19	R.L.



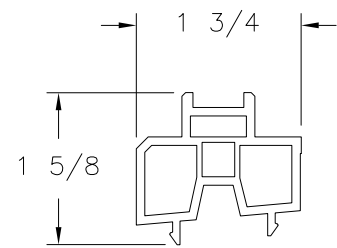
HEAD
FOAM PVC CO-EX



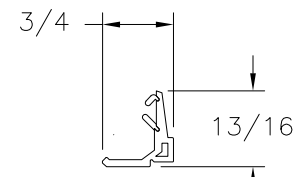
SILL
FOAM PVC & ALUMINUM



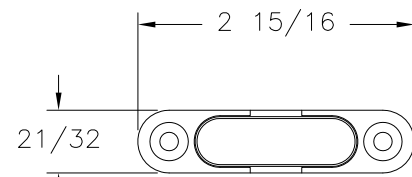
JAMB
FOAM PVC



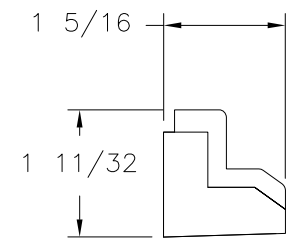
STATIONARY BASE
RIGID PVC



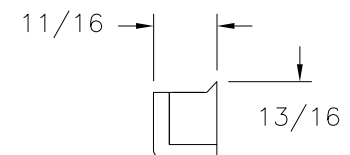
GLAZING BEAD
PVC



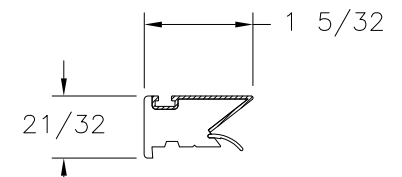
ANTI-LIFT BLOCK
DIE CASTING



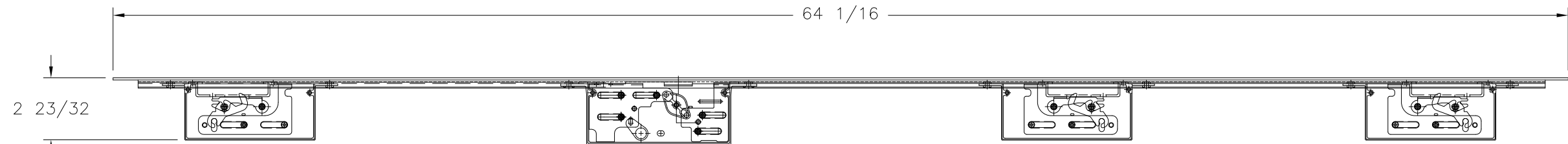
SILL WIND STOPPER
EPDM FOAM



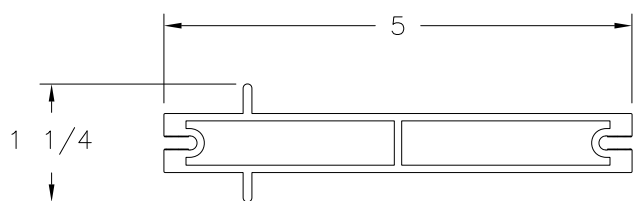
TOP WIND STOPPER
EPDM FOAM



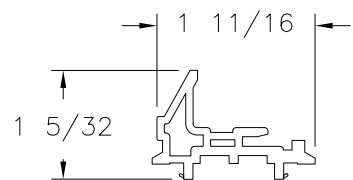
INTERLOCK STRIP
FOAM PVC



MULTI-POINT LOCK
STAINLESS STEEL BY JAM YUAN ENTERPRISES CO., LTD.



MULLION
ALUMINUM



GLAZING BEAD
PVC

NAN YA PLASTICS CORP. USA
8989 NORTH LOOP EAST
HOUSTON, TX 77029

SERIES SRS GLIDING DOOR W/FIELD MULLION
FIBERGLASS SLIDING DOOR W/SIDELITES
COMPONENTS

DRAWN: LMP	DWG NO. 08-01541	REV A
SCALE NTS	DATE 05/14/12	SHEET 6 OF 6

L. ROBERTO LOMAS P.E.
1432 WOODFORD RD LEWISVILLE, NC 27023
434-688-0609 rllomas@rlomaspe.com

SIGNED: 01/21/2020



Luis R. Lomas P.E.
TX No.: 101889