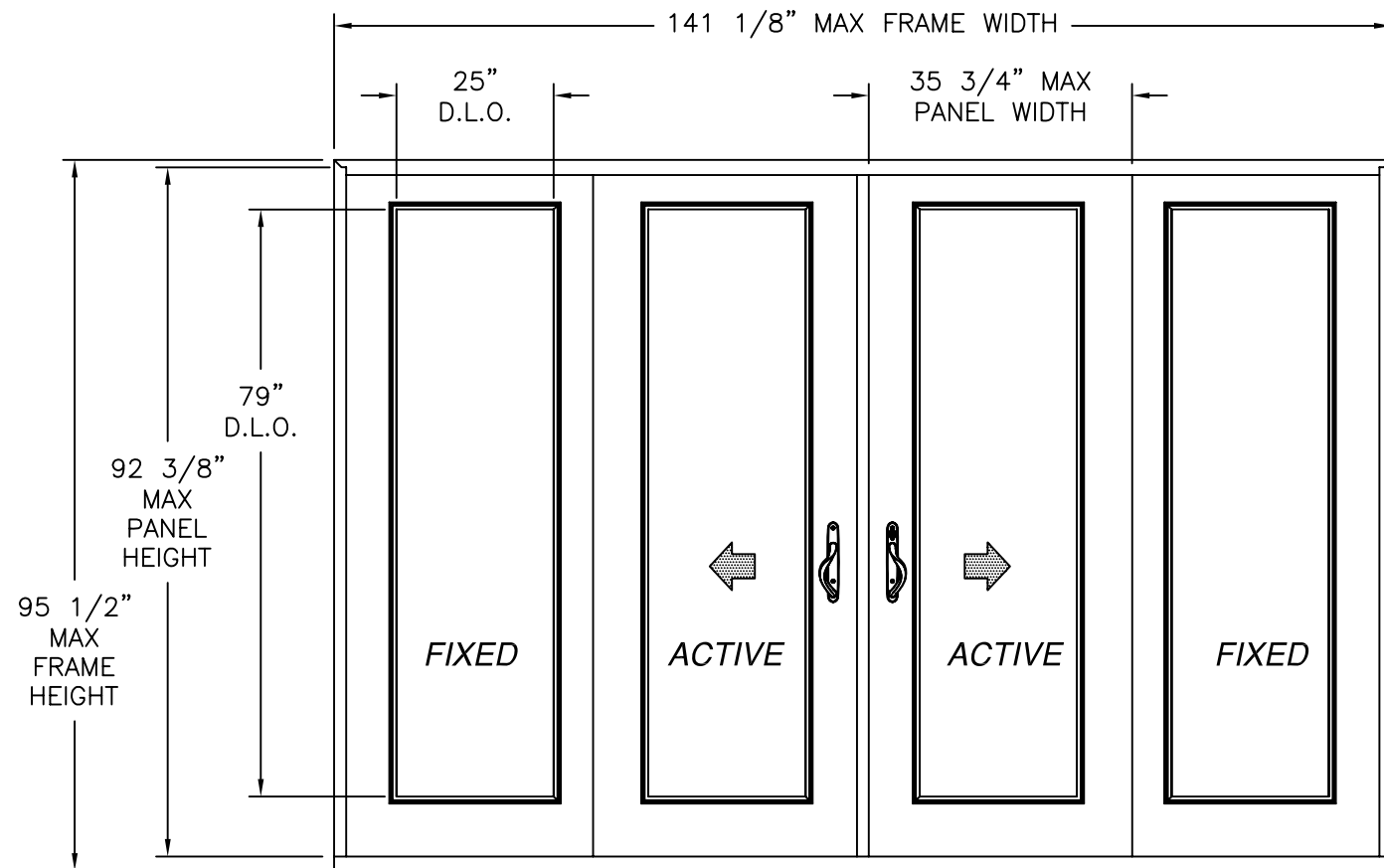


REVISIONS			
REV	DESCRIPTION	DATE	APPROVED



NOTES:

1. THE PRODUCT SHOWN HEREIN IS DESIGNED AND MANUFACTURED TO COMPLY WITH REQUIREMENTS OF THE 2006 IRC, 2006 IBC WITH STATE OF TEXAS MODIFICATIONS..
2. WOOD FRAMING AND MASONRY OPENING TO BE DESIGNED AND ANCHORED TO PROPERLY TRANSFER ALL LOADS TO STRUCTURE. FRAMING AND MASONRY OPENING IS THE RESPONSIBILITY OF THE ARCHITECT OR ENGINEER OF RECORD.
3. 1X BUCK OVER MASONRY/CONCRETE IS OPTIONAL. WHERE 1X BUCK IS NOT USED DISSIMILAR MATERIALS MUST BE SEPARATED WITH APPROVED COATING OR MEMBRANE. SELECTION OF COATING OR MEMBRANE IS THE RESPONSIBILITY OF THE ARCHITECT OR ENGINEER OF RECORD.
4. UNITS MUST BE GLAZED PER ASTM E1300-04, SEE SHEET 3 FOR GLASS OPTIONS.
5. APPROVED IMPACT PROTECTIVE SYSTEM IS REQUIRED FOR THIS PRODUCT IN WIND BORNE DEBRIS REGIONS.
6. FRAME JAMB AND HEAD MATERIAL: CO-EXTRUDED PVC FOAM 1 1/2" THICK.
7. FRAME SILL MATERIAL: CO-EXTRUDED PVC FOAM 2" THICK WITH ALUMINUM CLADDING .063" THICK.
8. DOOR PANEL AND SIDELITE MATERIAL: PVC FOAM TOP AND BOTTOM RAILS, AND PVC FOAM VERTICAL STILES WITH PINE REINFORCEMENTS AND POLYURETHANE FOAM CORE.
9. APPROVED CONFIGURATIONS: OX, XO, AND OXXO. SEE SHEET 2.

**SERIES SPLS GLIDING PATIO DOUBLE DOOR W/ SIDELITES**  
EXTERIOR VIEW

DESIGN PRESSURE RATING	IMPACT RATING
±50PSF	NONE

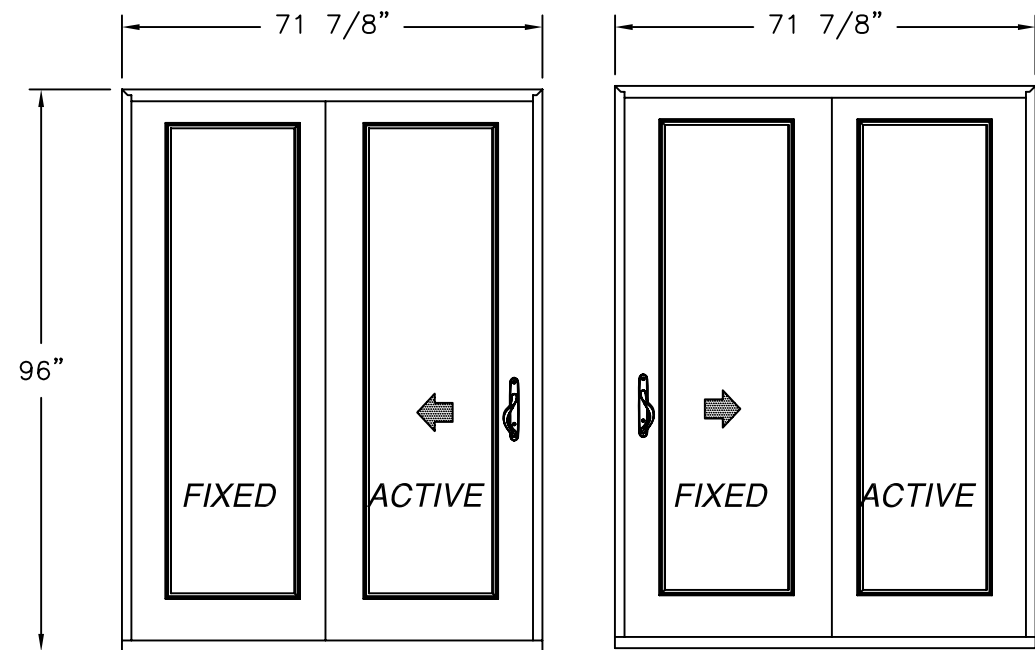
SIGNED: 05/16/2012

TABLE OF CONTENTS	
SHEET NO.	DESCRIPTION
1	OXXO ELEVATION AND NOTES
2	ADDITIONAL CONFIGURATIONS ANCHOR LAYOUTS & HARDWARE
3 - 5	INSTALLATION DETAILS

<b>NAN YA PLASTIC CORP. USA</b> 8989 NORTH LOOP EAST HOUSTON, TX 77029		
SERIES SPLS GLIDING DOOR FIBERGLASS SLIDING DOOR W/ SIDELITES OXXO ELEVATION AND NOTES		
DRAWN: <b>LMP</b>	DWG NO. <b>08-01556</b>	REV -
SCALE NTS	DATE 05/14/2012	SHEET 1 OF 5



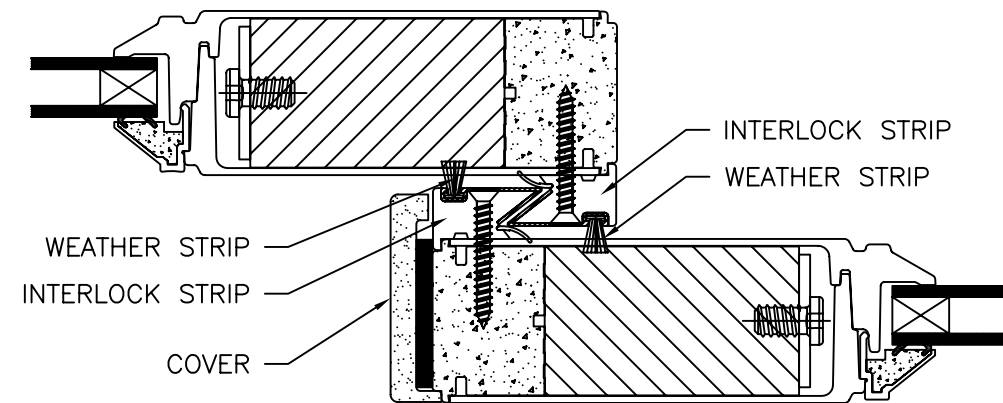
Luis R. Lomas P.E.  
Texas No. 101889



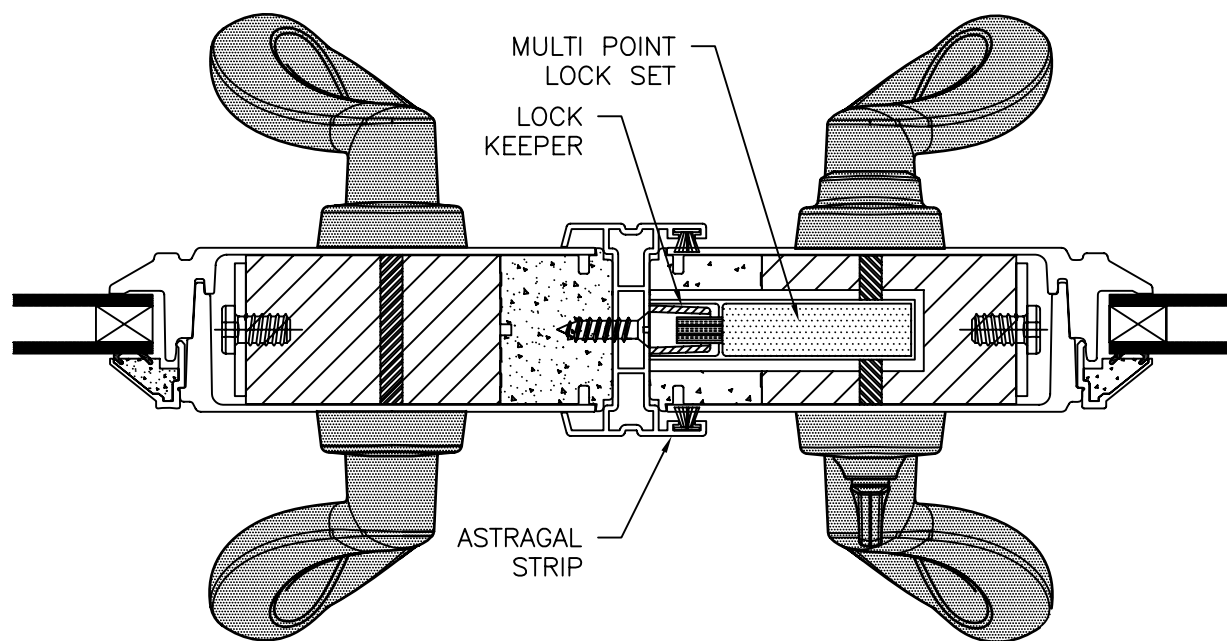
SINGLE W/SIDELITE  
EXTERIOR VIEW

SINGLE W/SIDELITE  
EXTERIOR VIEW

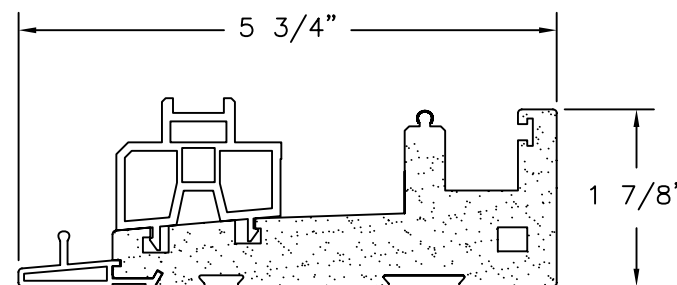
REVISIONS			
REV	DESCRIPTION	DATE	APPROVED



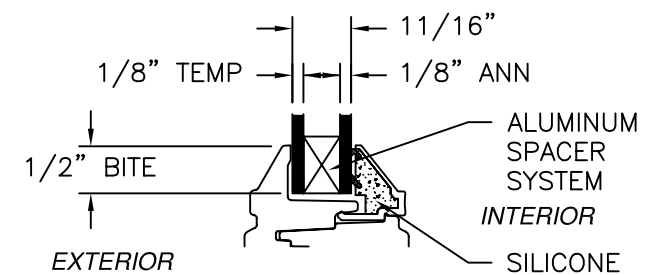
MEETING RAIL DETAIL



ASTRAGAL DETAIL



DOOR SILL



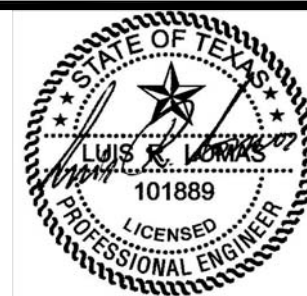
GLAZING DETAIL

<u>HARDWARE SCHEDULE</u>	
A.	MULTI POINT LOCKING SYSTEM
B.	(1) DIE CAST HANDLE SET PER ACTIVE PANEL
C.	(2) STAINLESS STEEL TANDEM ROLLERS PER PANEL
D.	PVC ASTRAGAL BY NAN YA PLASTICS

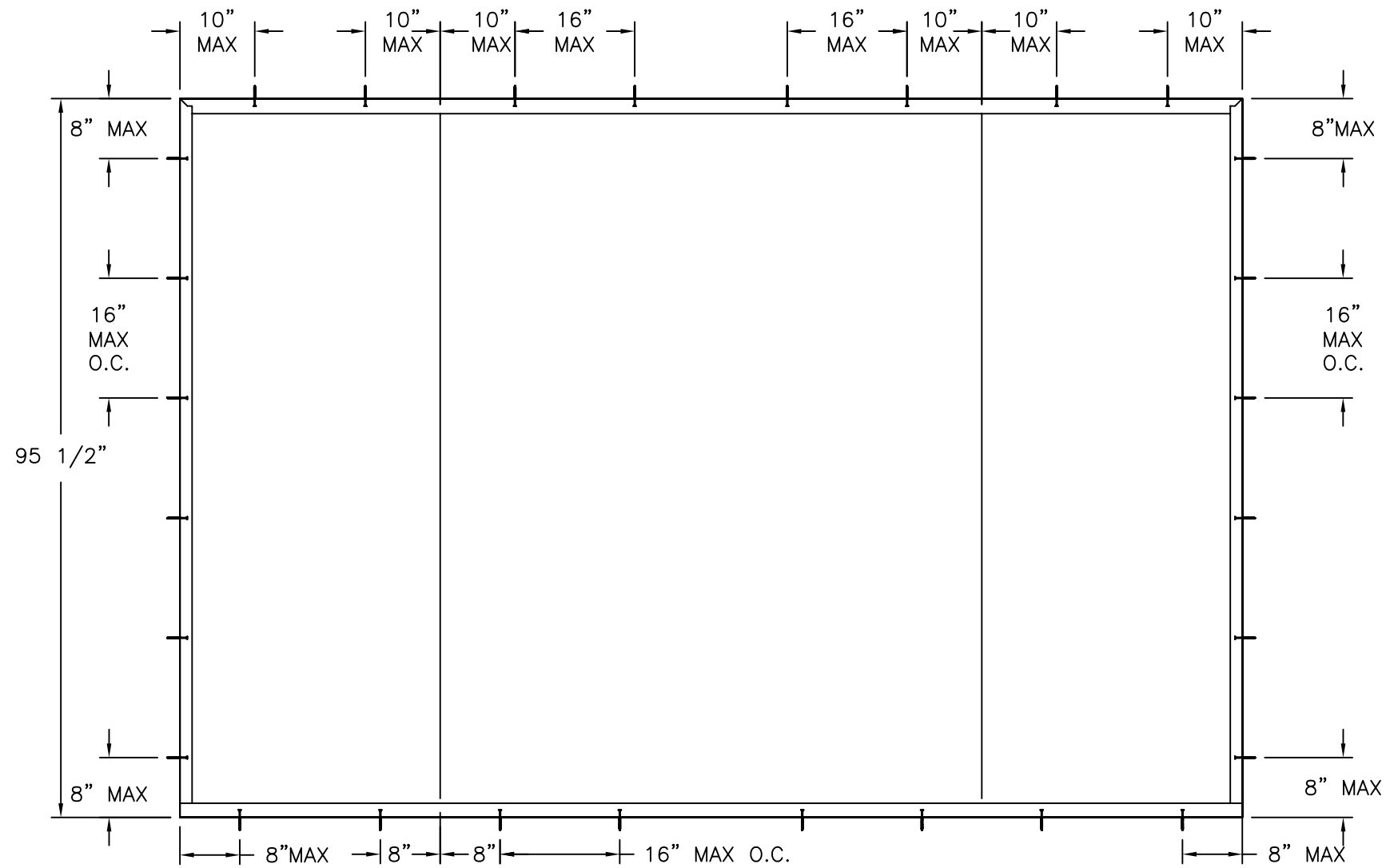
NAN YA PLASTIC CORP. USA  
8989 NORTH LOOP EAST  
HOUSTON, TX 77029

SERIES SPLS GLIDING DOOR  
FIBERGLASS SLIDING DOOR W/ SIDELITES  
ADDITIONAL CONFIGURATIONS AND HARDWARE

DRAWN: LMP	DWG NO. 08-01556	REV -
SCALE NTS	DATE 05/14/2012	SHEET 2 OF 5



Luis R. Lomas P.E.  
Texas No. 101889

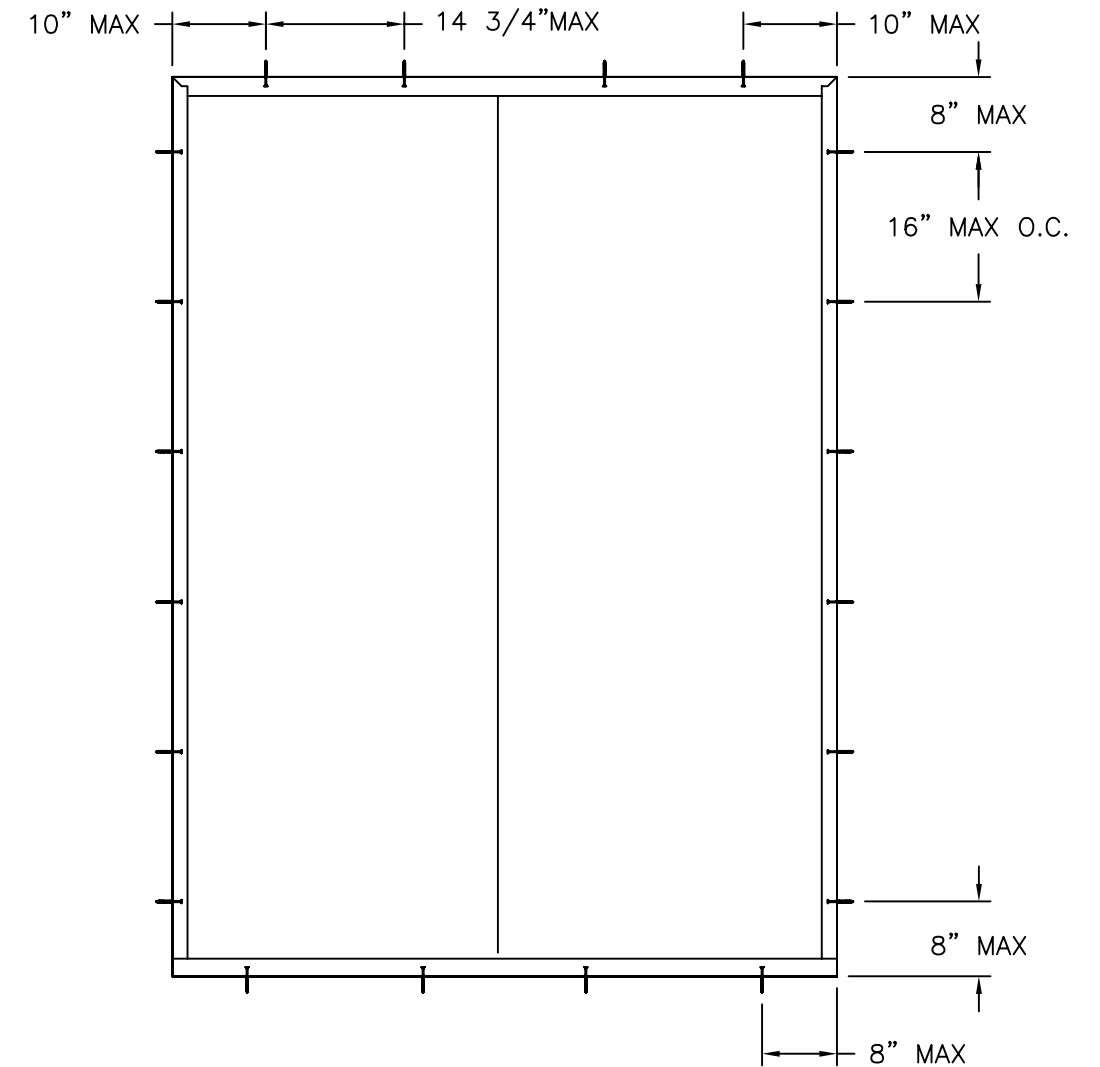


**ANCHORING LAYOUT FOR DOUBLE W/SIDELITES**  
EXTERIOR VIEW

**ANCHORING NOTES:**

1. SHIM AS REQUIRED AT EACH INSTALLATION ANCHOR WITH LOAD BEARING SHIM. SHIM WHERE SPACE OF 1/16" OR GREATER OCCURS. MAXIMUM ALLOWABLE SHIM STACK TO BE 1/4".
2. FOR ANCHORING INTO WOOD FRAMING OR 2X BUCK USE #10 WOOD SCREWS WITH SUFFICIENT LENGTH TO ACHIEVE A 1 3/8" MINIMUM EMBEDMENT INTO SUBSTRATE. LOCATE ANCHORS AS SHOWN IN ELEVATIONS AND INSTALLATION DETAILS.
3. FOR ANCHORING INTO MASONRY/CONCRETE USE 3/16" TAPCONS WITH SUFFICIENT LENGTH TO ACHIEVE A 1 1/4" MINIMUM EMBEDMENT INTO SUBSTRATE WITH 2 5/8" MINIMUM EDGE DISTANCE. LOCATE ANCHORS AS SHOWN IN ELEVATIONS AND INSTALLATION DETAILS.
4. ALL FASTENERS TO BE CORROSION RESISTANT.
5. INSTALLATION ANCHORS SHALL BE INSTALLED IN ACCORDANCE WITH ANCHOR MANUFACTURER'S INSTALLATION INSTRUCTIONS AND ANCHORS SHALL NOT BE USED IN SUBSTRATES WITH STRENGTHS LESS THAN THE MINIMUM STRENGTH SPECIFIED BELOW:
  - A. WOOD - MINIMUM SPECIFIC GRAVITY OF G=0.42
  - B. CONCRETE - MINIMUM COMPRESSIVE STRENGTH OF 3,192 PSI.
  - C. MASONRY - STRENGTH CONFORMANCE TO ASTM C-90, GRADE N, TYPE 1 (OR GREATER).

REVISIONS			
REV	DESCRIPTION	DATE	APPROVED



**ANCHORING LAYOUT FOR SINGLE W/SIDELITE**  
EXTERIOR VIEW

**NAN YA PLASTIC CORP. USA**  
8989 NORTH LOOP EAST  
HOUSTON, TX 77029

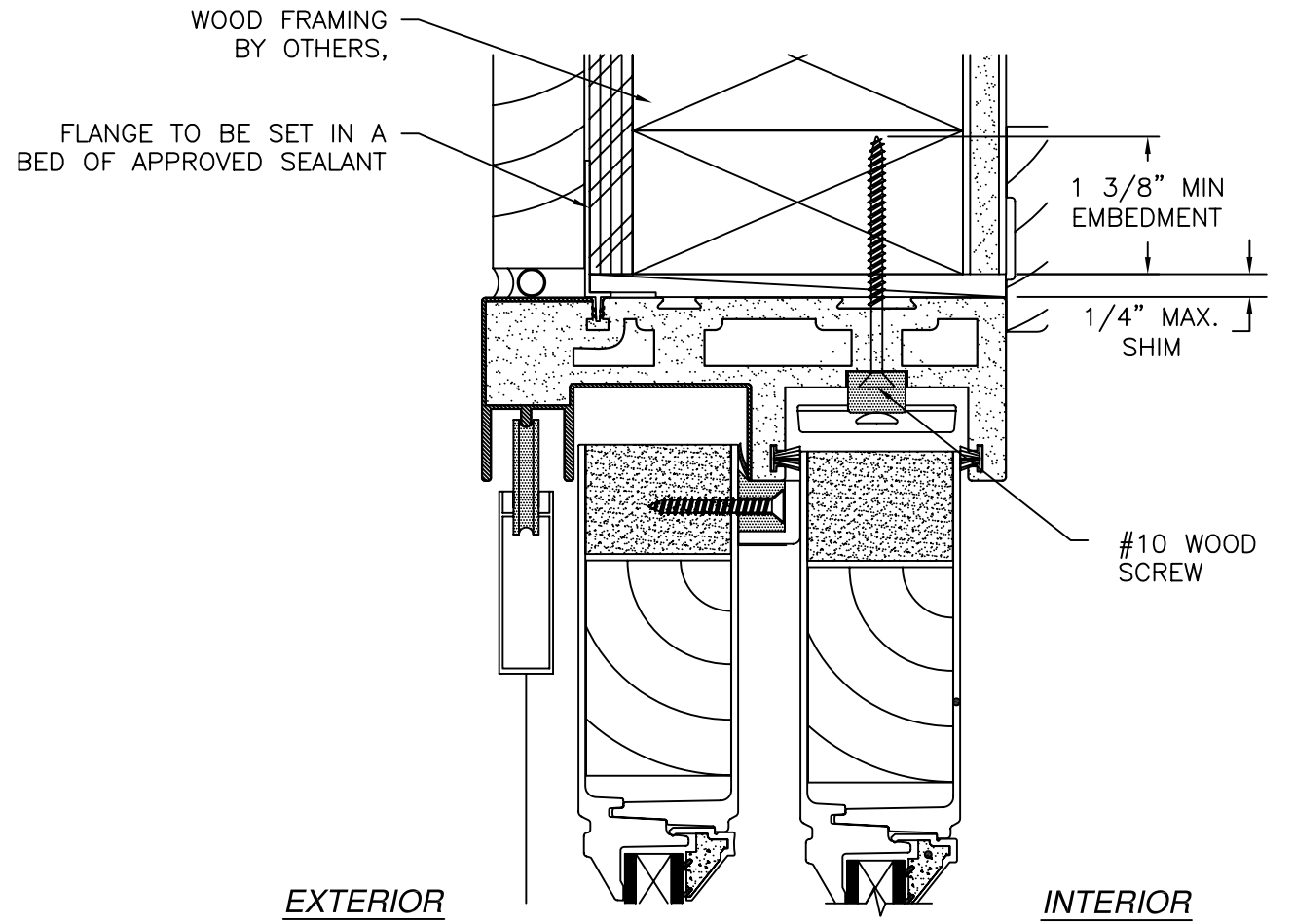
**SERIES SPLS GLIDING DOOR  
FIBERGLASS SLIDING DOOR W/ SIDELITES  
ADDITIONAL CONFIGURATIONS AND HARDWARE**

DRAWN: <b>LMP</b>	DWG NO. <b>08-01556</b>	REV <b>-</b>
SCALE <b>NTS</b>	DATE <b>05/14/2012</b>	SHEET <b>3 OF 5</b>



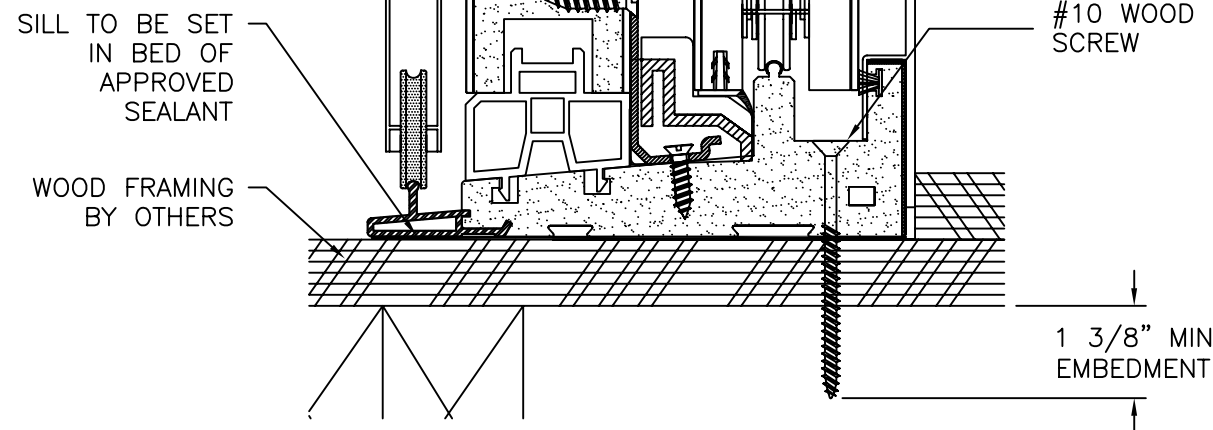
**Luis R. Lomas P.E.**  
Texas No. 101889

REVISIONS			
REV	DESCRIPTION	DATE	APPROVED

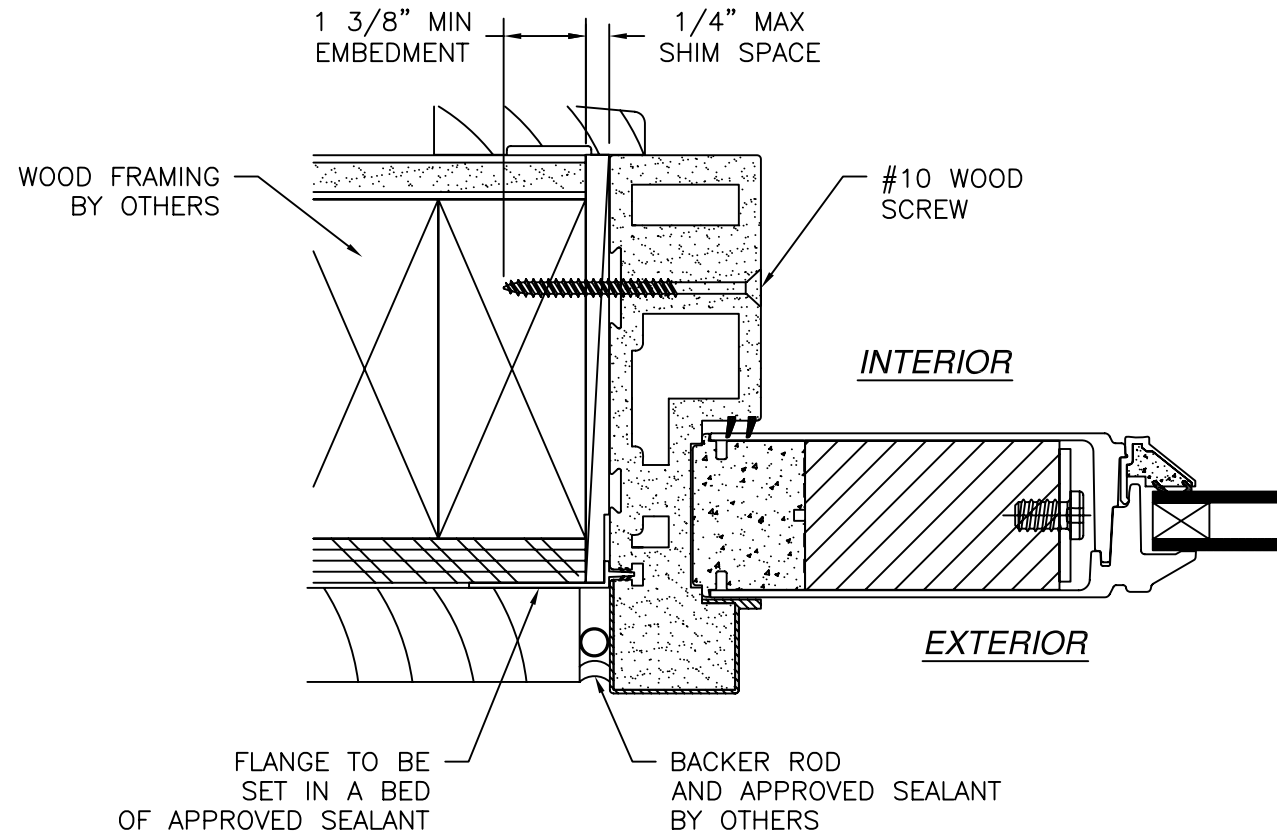


EXTERIOR

INTERIOR



**VERTICAL CROSS SECTION**  
 DOOR SHOWN, SIDELITE SIMILAR  
 2X BUCKWOOD FRAMING INSTALLATION



INTERIOR

EXTERIOR

**HORIZONTAL CROSS SECTION**  
 2X BUCKWOOD FRAMING INSTALLATION

**NAN YA PLASTIC CORP. USA**  
 8989 NORTH LOOP EAST  
 HOUSTON, TX 77029

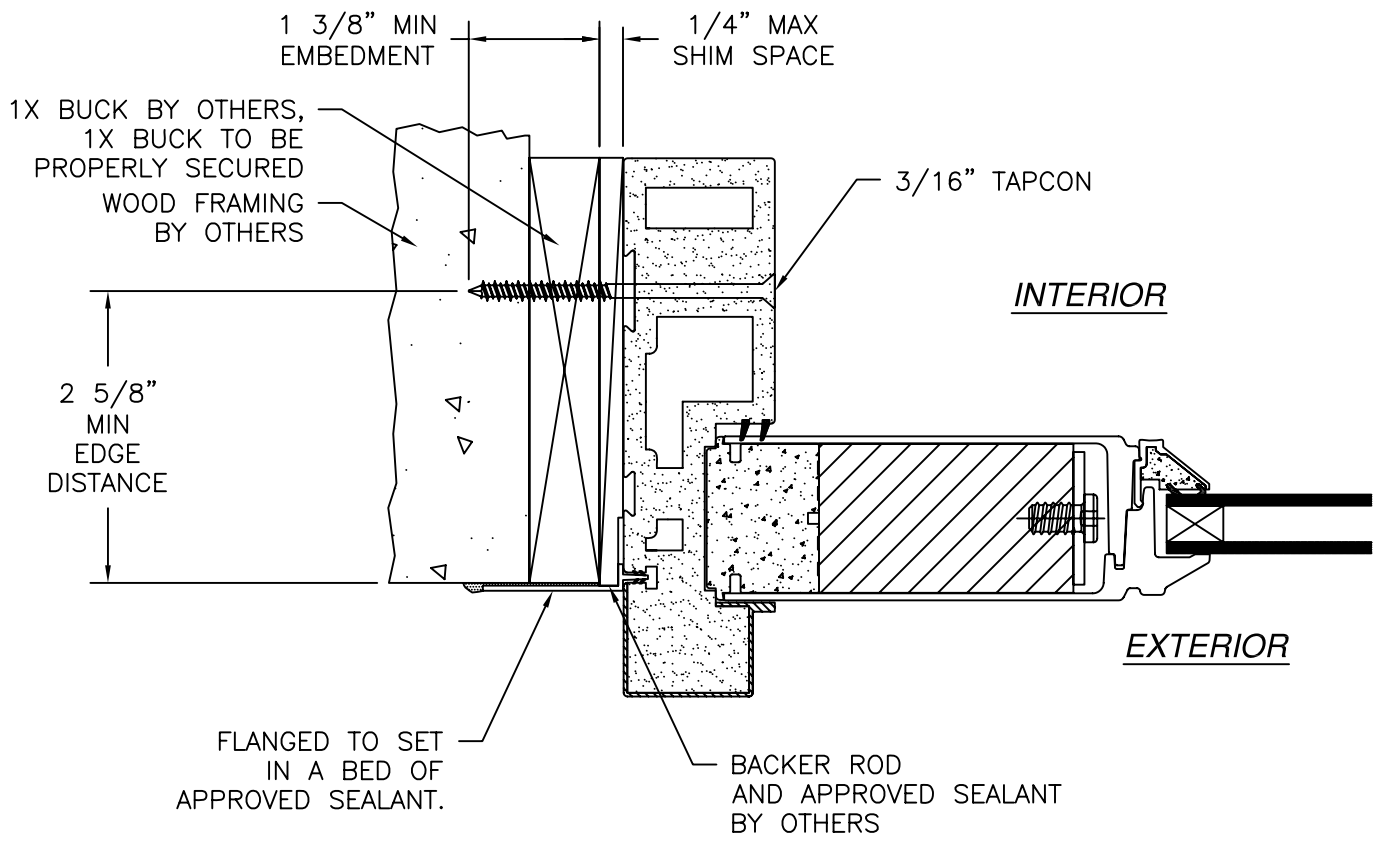
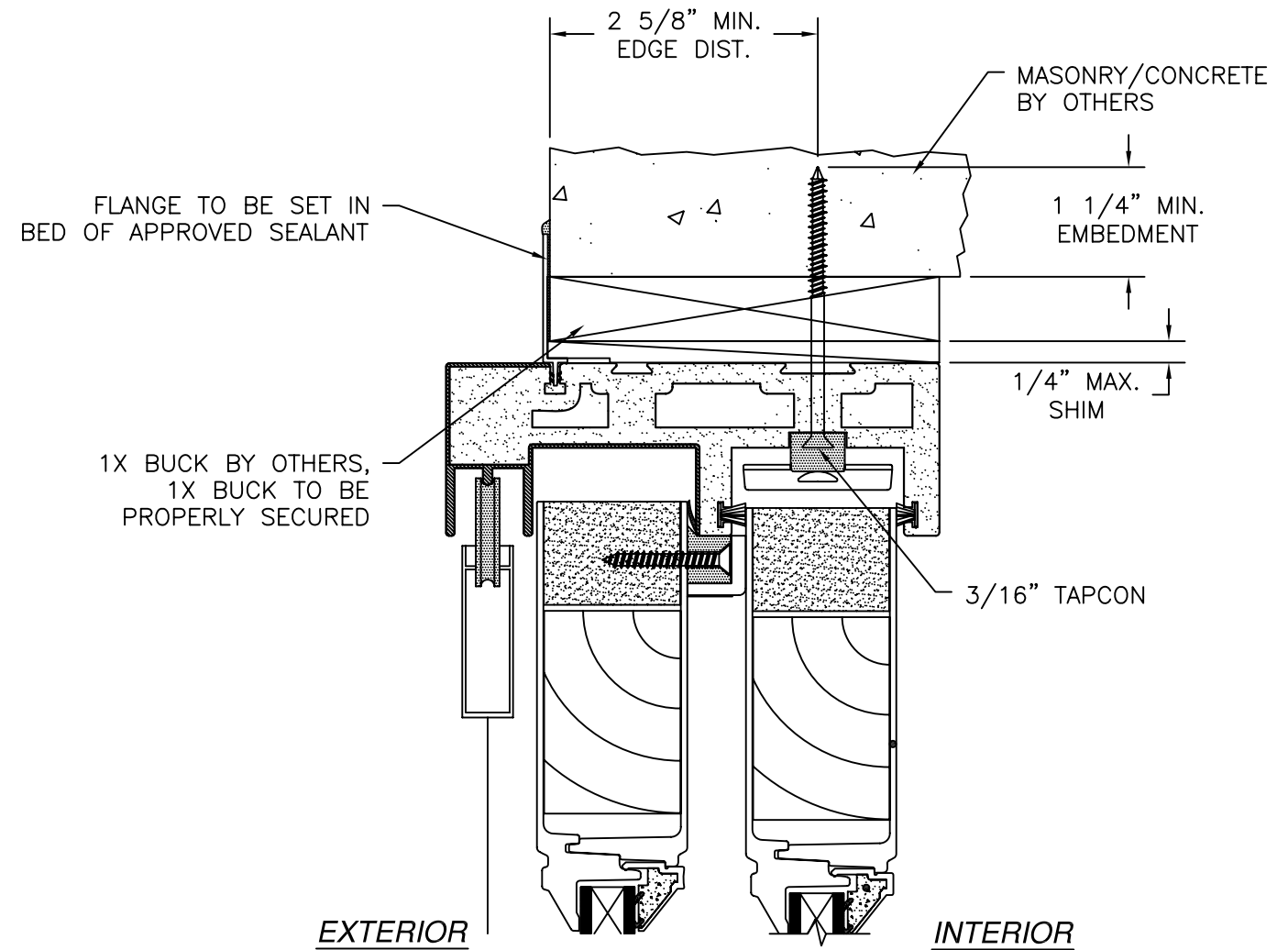
**SERIES SPLS GLIDING DOOR  
 FIBERGLASS SLIDING DOOR W/ SIDELITES  
 INSTALLATION DETAILS**

DRAWN: <b>LMP</b>	DWG NO. <b>08-01556</b>	REV -
SCALE <b>NTS</b>	DATE <b>05/14/2012</b>	SHEET <b>4 OF 5</b>

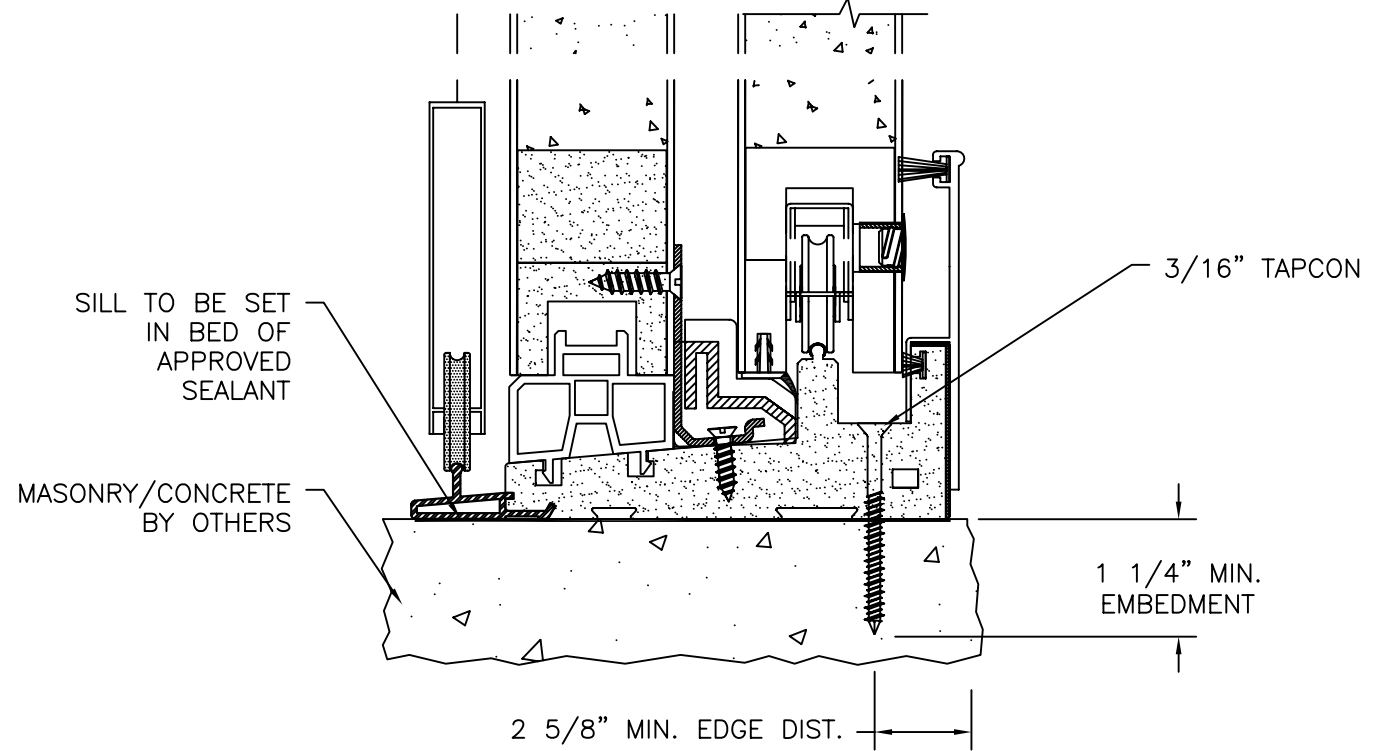


**Luis R. Lomas P.E.**  
 Texas No. 101889

REVISIONS			
REV	DESCRIPTION	DATE	APPROVED



**HORIZONTAL CROSS SECTION**  
MASONRY/CONCRETE INSTALLATION



**VERTICAL CROSS SECTION**  
MASONRY/CONCRETE INSTALLATION  
DOOR SHOWN SIDELITE SIMILAR

**NAN YA PLASTIC CORP. USA**  
8989 NORTH LOOP EAST  
HOUSTON, TX 77029

**SERIES SPLS GLIDING DOOR  
FIBERGLASS SLIDING DOOR W/ SIDELITES  
INSTALLATION DETAILS**

DRAWN: <b>LMP</b>	DWG NO. <b>08-01556</b>	REV -
SCALE <b>NTS</b>	DATE <b>05/14/2012</b>	SHEET <b>5 OF 5</b>



Luis R. Lomas P.E.  
Texas No. 101889