

REVISIONS			
REV	DESCRIPTION	DATE	APPROVED
B	REVISED PER NEW REQUIREMENTS	12/19/19	R.L.

NOTES:

1. THE PRODUCT SHOWN HEREIN IS DESIGNED AND MANUFACTURED TO COMPLY WITH REQUIREMENTS OF THE 2018 IBC AND 2018 IRC.
2. WOOD FRAMING AND MASONRY OPENING TO BE DESIGNED AND ANCHORED TO PROPERLY TRANSFER ALL LOADS TO STRUCTURE. FRAMING AND MASONRY OPENING IS THE RESPONSIBILITY OF THE ARCHITECT OR ENGINEER OF RECORD.
3. 1X BUCK OVER MASONRY/CONCRETE IS OPTIONAL.
4. WHERE SHIM OR BUCK THICKNESS IS LESS THAN 1-1/2" UNITS MUST BE ANCHORED THROUGH THE FRAME IN ACCORDANCE WITH MANUFACTURER'S PUBLISHED INSTALLATION INSTRUCTIONS. ANCHORS SHALL BE SECURELY FASTENED DIRECTLY INTO MASONRY, CONCRETE OR OTHER STRUCTURAL SUBSTRATE MATERIAL.
5. WHERE WOOD BUCK THICKNESS IS 1-1/2" OR GREATER, BUCK SHALL BE SECURELY FASTENED TO MASONRY, CONCRETE OR OTHER STRUCTURAL SUBSTRATE. UNITS MAY BE ANCHORED THROUGH FRAME TO SECURED WOOD BUCK IN ACCORDANCE WITH MANUFACTURER'S PUBLISHED INSTALLATION INSTRUCTIONS.
6. WHERE 1X BUCK IS NOT USED DISSIMILAR MATERIALS MUST BE SEPARATED WITH APPROVED COATING OR MEMBRANE. SELECTION OF COATING OR MEMBRANE IS THE RESPONSIBILITY OF THE ARCHITECT OR ENGINEER OF RECORD.
7. BUCKS SHALL BE EXTEND BEYOND UNIT FRAME INTERIOR FACE SO THAT FULL FRAME SUPPORT IS PROVIDED.
8. SHIM AS REQUIRED AT EACH INSTALLATION ANCHOR WITH LOAD BEARING SHIM. SHIM WHERE SPACE OF 1/16" OR GREATER OCCURS. MAXIMUM ALLOWABLE SHIM STACK TO BE 1/4".
9. SHIMS SHALL BE LOCATED, APPLIED AND MADE FROM MATERIALS AND THICKNESS CAPABLE OF SUSTAINING APPLICABLE LOADS.
10. WIND LOAD DURATION FACTOR Cd=1.6 WAS USED FOR WOOD ANCHOR CALCULATIONS.
11. UNITS MUST BE GLAZED PER ASTM E1300, SEE SHEET 12 FOR GLASS DETAILS.
12. APPROVED IMPACT PROTECTIVE SYSTEM IS NOT REQUIRED FOR THIS PRODUCT IN WIND BORNE DEBRIS REGIONS.
13. FOR ANCHORING INTO WOOD FRAMING OR 2X BUCK USE #10 WOOD SCREWS WITH SUFFICIENT LENGTH TO ACHIEVE A 1 1/4" MINIMUM EMBEDMENT INTO SUBSTRATE. LOCATE ANCHORS AS SHOWN IN ELEVATIONS AND INSTALLATION DETAILS.
14. FOR ANCHORING INTO MASONRY/CONCRETE USE 3/16" TAPCONS WITH SUFFICIENT LENGTH TO ACHIEVE A 1 3/4" MINIMUM EMBEDMENT INTO SUBSTRATE WITH 1 1/2" MINIMUM EDGE DISTANCE. LOCATE ANCHORS AS SHOWN IN ELEVATIONS AND INSTALLATION DETAILS.
15. FOR ANCHORING INTO METAL STRUCTURE USE #10 SMS OR SELF DRILLING SCREWS WITH SUFFICIENT LENGTH TO ACHIEVE 3 THREADS MINIMUM BEYOND STRUCTURE INTERIOR WALL. LOCATE ANCHORS AS SHOWN IN ELEVATIONS AND INSTALLATION DETAILS.
16. ALL FASTENERS TO BE CORROSION RESISTANT.
17. INSTALLATION ANCHORS SHALL BE INSTALLED IN ACCORDANCE WITH ANCHOR MANUFACTURER'S INSTALLATION INSTRUCTIONS AND ANCHORS SHALL NOT BE USED IN SUBSTRATES WITH STRENGTHS LESS THAN THE MINIMUM STRENGTH SPECIFIED BELOW:
 - A. WOOD – MINIMUM SPECIFIC GRAVITY OF G=0.42
 - B. CONCRETE – MINIMUM COMPRESSIVE STRENGTH OF 3,200 PSI.
 - C. MASONRY – GROUT FILLED BLOCK PER ASTM C90 WITH Fm=2,000PSI MINIMUM.
 - D. METAL STRUCTURE – STEEL 18GA (.048") FY=33KSI/FU=52KSI OR ALUMINUM 6063-T5 FU=30KSI .125" THICK MINIMUM.
18. FRAME JAMB AND HEAD MATERIAL: CO-EXTRUDED PVC FOAM 1 1/2" THICK.
19. FRAME SILL MATERIAL: CO-EXTRUDED PVC FOAM 2" THICK WITH ALUMINUM CLADDING .063" THICK.
20. DOOR PANEL AND SIDELITE MATERIAL: .075" THICK FIBERGLASS SKIN WITH PVC FOAM TOP AND BOTTOM RAILS, AND PVC FOAM VERTICAL STILES WITH PINE REINFORCEMENTS AND POLYURETHANE FOAM CORE.
21. HINGE LOCATION: 8 3/4", 39 1/2" AND 71 3/8" FROM TOP OF PANEL.
22. APPROVED CONFIGURATIONS: O, X, OX, XO, XX, OXO, XXO, OXX, OXXO, O/X, XX/O, OXX/O AND O/XX/O, SEE SHEET 3.

TABLE OF CONTENTS	
SHEET NO.	DESCRIPTION
1	NOTES
2	ELEVATION
3	APPROVED CONFIGURATIONS
4 – 5	ANCHORING LAYOUTS
6 – 12	INSTALLATION DETAILS
13	COMPONENTS

NAN YA PLASTICS CORP. USA
8989 NORTH LOOP EAST
HOUSTON, TX 77029

**IN-SWING ENTRANCE DOOR W/ SIDELITES
FIBERGLASS IMPACT GLAZED
OXXO ELEVATION AND NOTES**

DRAWN: V.L.	DWG NO. 08-01553	REV B
SCALE NTS	DATE 05/31/12	SHEET 1 OF 13

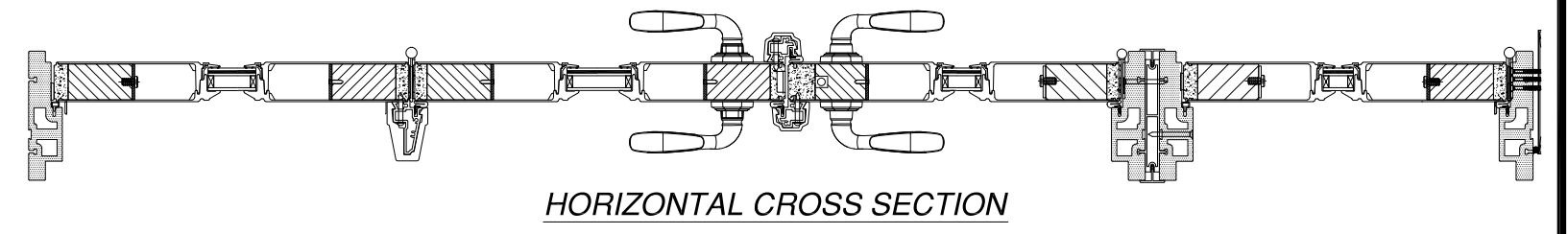
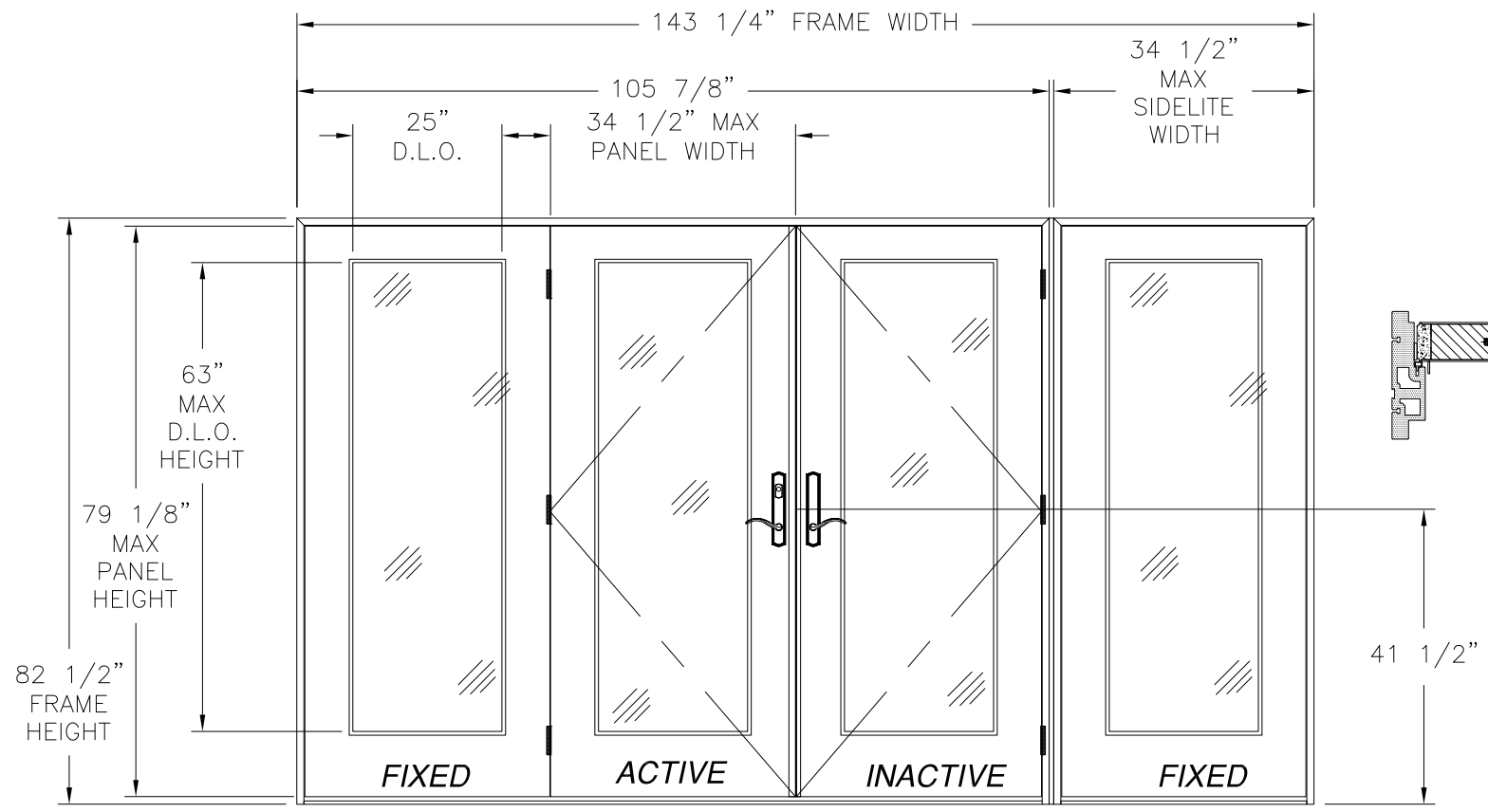
L. ROBERTO LOMAS P.E.
1432 WOODFORD RD LEWISVILLE, NC 27023
434-688-0609 rllomas@rlomaspe.com

SIGNED: 04/13/2021



Luis R. Lomas P.E.
TX No. 101889

REVISIONS			
REV	DESCRIPTION	DATE	APPROVED
B	REVISED PER NEW REQUIREMENTS	12/19/19	R.L.



**IN-SWING ENTRANCE DOOR
DOUBLE DOOR W/ SIDELITES
EXTERIOR VIEW**

DESIGN PRESSURE RATING	IMPACT RATING
±50.0PSF	LARGE AND SMALL MISSILE IMPACT

MISSILE LEVEL D, WIND ZONE 4

HARDWARE SCHEDULE

A.	(3) 4" LONG SURFACE MOUNT METALLIC BUTT HINGE, 8 3/4", 39 1/2" AND 71 3/8" FROM BOTTOM AT ACTIVE PANEL HINGE STILE
B.	(3) 4" LONG SURFACE MOUNT METALLIC BUTT HINGE, 8 3/4", 39 1/2" AND 71 3/8" FROM BOTTOM AT INACTIVE PANEL HINGE STILE
C.	(1) SURFACE MOUNT METALLIC 3 POINT LOCK SYSTEM, 38" FROM BOTTOM AT ACTIVE PANEL LOCK STILE
D.	(1) FLUSH MOUNT METALLIC STRIKE PLATE, 38" FROM BOTTOM AT INACTIVE PANEL LOCK STILE
E.	(1) FLUSH MOUNT METALLIC STRIKE PLATE, 70" FROM LEFT AT THRESHOLD
F.	(1) FLUSH MOUNT METALLIC STRIKE PLATE, 70" FROM LEFT AT FRAME HEAD
G.	(2) FLUSH MOUNT METALLIC STRIKE PLATES, 5" FROM EACH END AT INACTIVE PANEL LOCK STILE
H.	(1) SURFACE MOUNT METALLIC 2 POINT LOCK SYSTEM, 38" FROM BOTTOM AT ACTIVE PANEL LOCK STILE
I.	(8) 1 3/8" X 1 3/8" WEEP HOLES WITH PLASTIC BAFFLE, 9 1/2", 27", 44 1/2", 61 1/2", 79", 96 1/2", 111 1/4" AND 138 1/2" FROM LEFT
J.	(1) 79" LONG ALUMINUM REINFORCEMENT INSIDE ACTIVE PANEL ASTRAGAL ADAPTER
K.	(1) 78 1/8" LONG ALUMINUM REINFORCEMENT INSIDE INACTIVE PANEL ASTRAGAL ADAPTER
L.	(1) 80 3/4" LONG ALUMINUM REINFORCEMENT INSIDE INTERMEDIATE FRAME MEMBER
M.	(1) 74 5/8" LONG WOOD REINFORCEMENT INSIDE SIDELITES JAMB STILES AT MIDSPAN
N.	(1) 74 5/8" LONG WOOD REINFORCEMENT INSIDE ACTIVE PANEL HINGE STILE AND LOCK STILE AT MIDSPAN
O.	(1) 74 5/8" LONG WOOD REINFORCEMENT INSIDE INACTIVE PANEL HINGE STILE AT MIDSPAN
P.	(1) 74 5/8" LONG WOOD REINFORCEMENT INSIDE INACTIVE PANEL LOCK STILE AT MIDSPAN
Q.	(1) 20 1/4" X 1 5/8" X 1 5/8" HIGH WOOD REINFORCEMENT INSIDE EACH SIDELITE TOP RAIL AND INSIDE EACH PANEL TOP RAIL AT MIDSPAN

NAN YA PLASTICS CORP. USA
8989 NORTH LOOP EAST
HOUSTON, TX 77029

IN-SWING ENTRANCE DOOR W/ SIDELITES
FIBERGLASS IMPACT GLAZED
ELEVATION

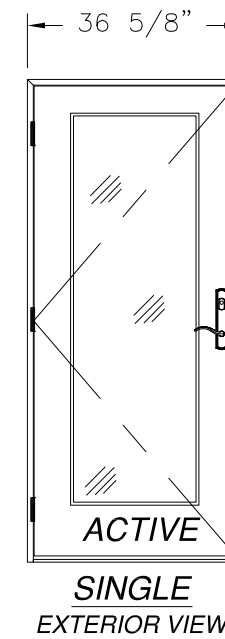
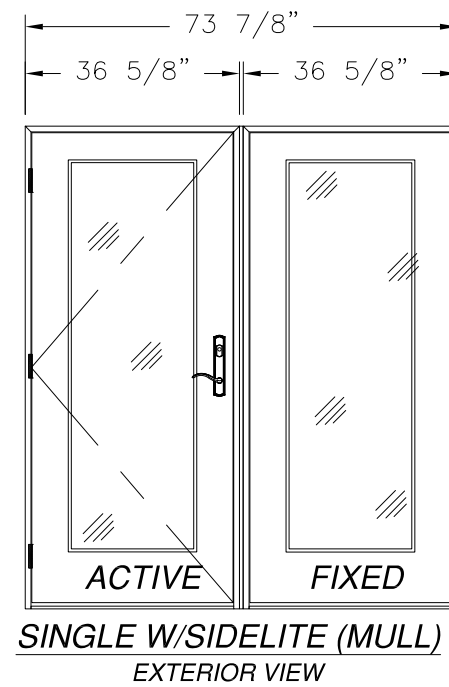
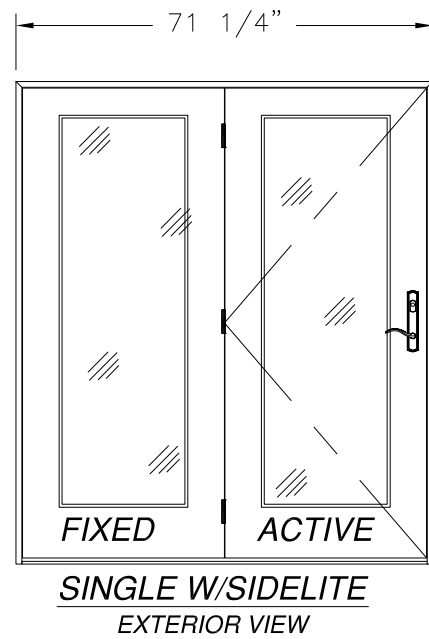
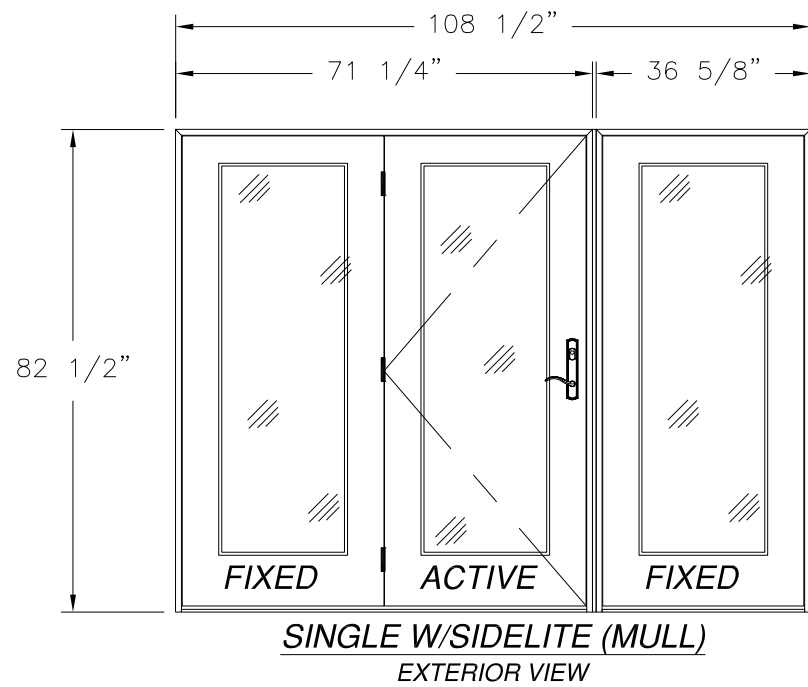
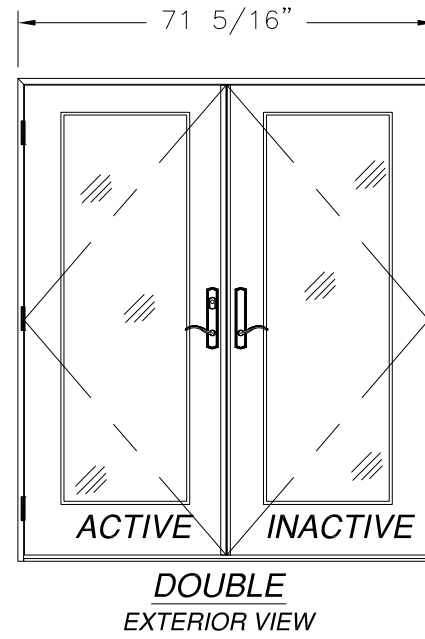
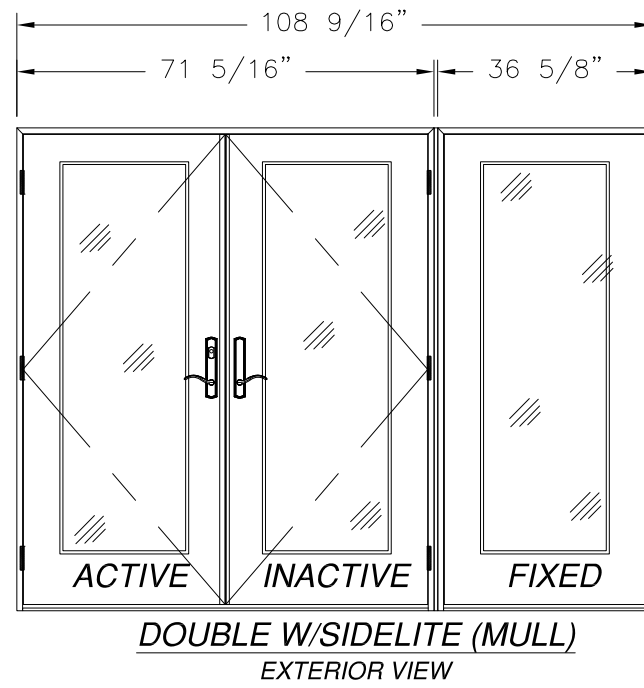
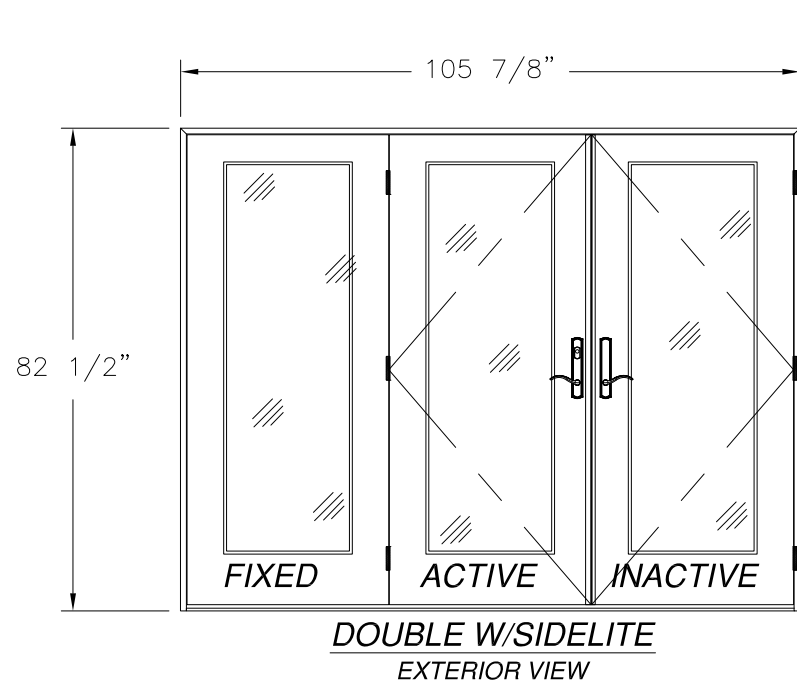
DRAWN: V.L.	DWG NO. 08-01553	REV B
SCALE NTS	DATE 05/31/12	SHEET 2 OF 13

L. ROBERTO LOMAS P.E.
1432 WOODFORD RD LEWISVILLE, NC 27023
434-688-0609 rllomas@rlomaspe.com

SIGNED: 04/13/2021



Luis R. Lomas P.E.
TX No. 101889



REVISIONS			
REV	DESCRIPTION	DATE	APPROVED
B	REVISED PER NEW REQUIREMENTS	12/19/19	R.L.

NOTE:
ALL APPROVED CONFIGURATIONS ARE SHOWN AS LEFT
HAND ACTIVE, RIGHT HAND ACTIVE IS ALSO APPROVED.

NAN YA PLASTICS CORP. USA
8989 NORTH LOOP EAST
HOUSTON, TX 77029

IN-SWING ENTRANCE DOOR W/ SIDELITES
FIBERGLASS IMPACT GLAZED
ADDITIONAL CONFIGURATIONS

DRAWN: V.L.	DWG NO. 08-01553	REV B
SCALE NTS	DATE 05/31/12	SHEET 3 OF 13

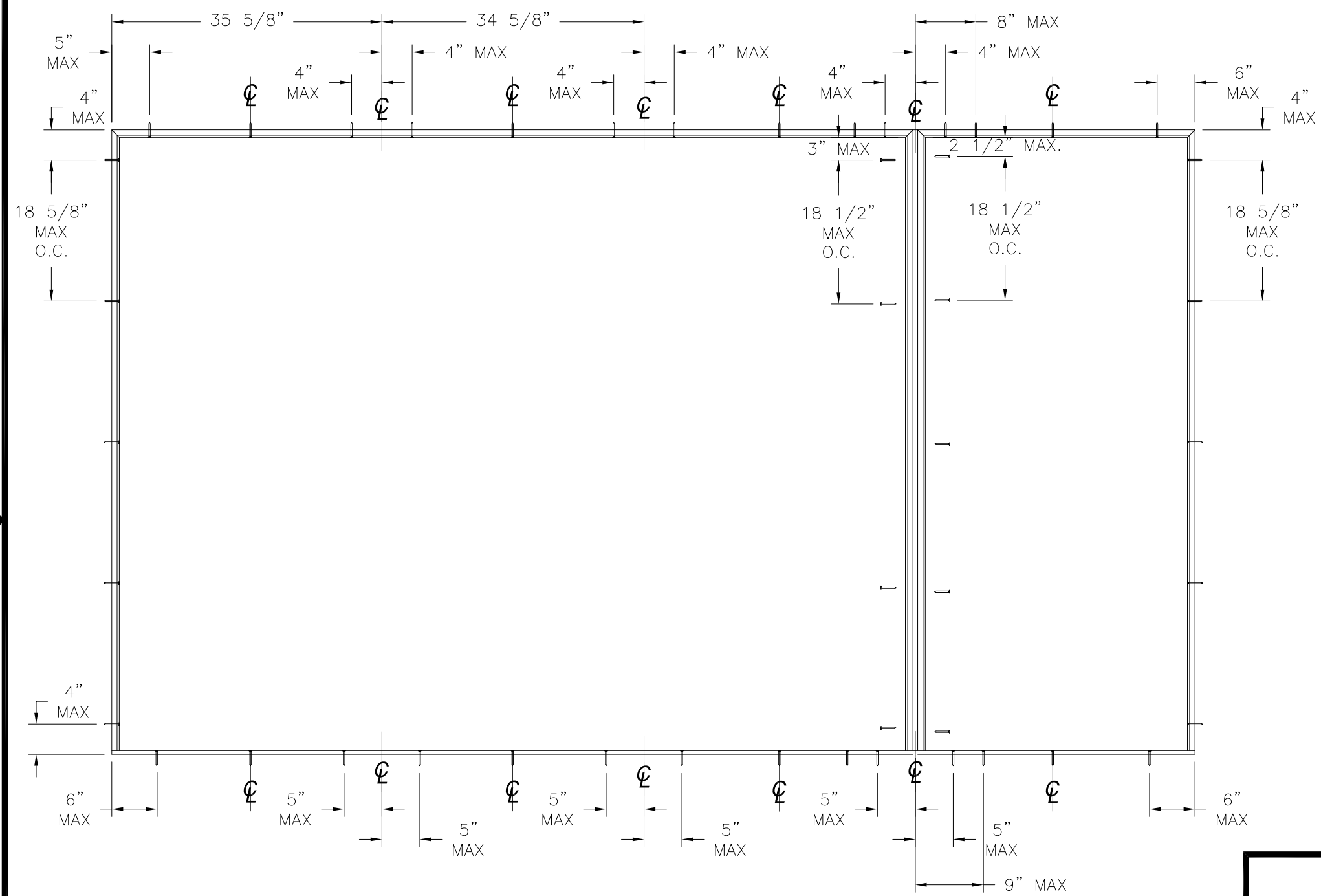
L. ROBERTO LOMAS P.E.
1432 WOODFORD RD LEWISVILLE, NC 27023
434-688-0609 rllomas@lrlomaspe.com

SIGNED: 04/13/2021



Luis R. Lomas P.E.
TX No. 101889

REVISIONS			
REV	DESCRIPTION	DATE	APPROVED
B	REVISED PER NEW REQUIREMENTS	12/19/19	R.L.



ANCHORING LAYOUT

NAN YA PLASTICS CORP. USA
 8989 NORTH LOOP EAST
 HOUSTON, TX 77029

IN-SWING ENTRANCE DOOR W/ SIDELITES
 FIBERGLASS IMPACT GLAZED
 ANCHORING LAYOUTS

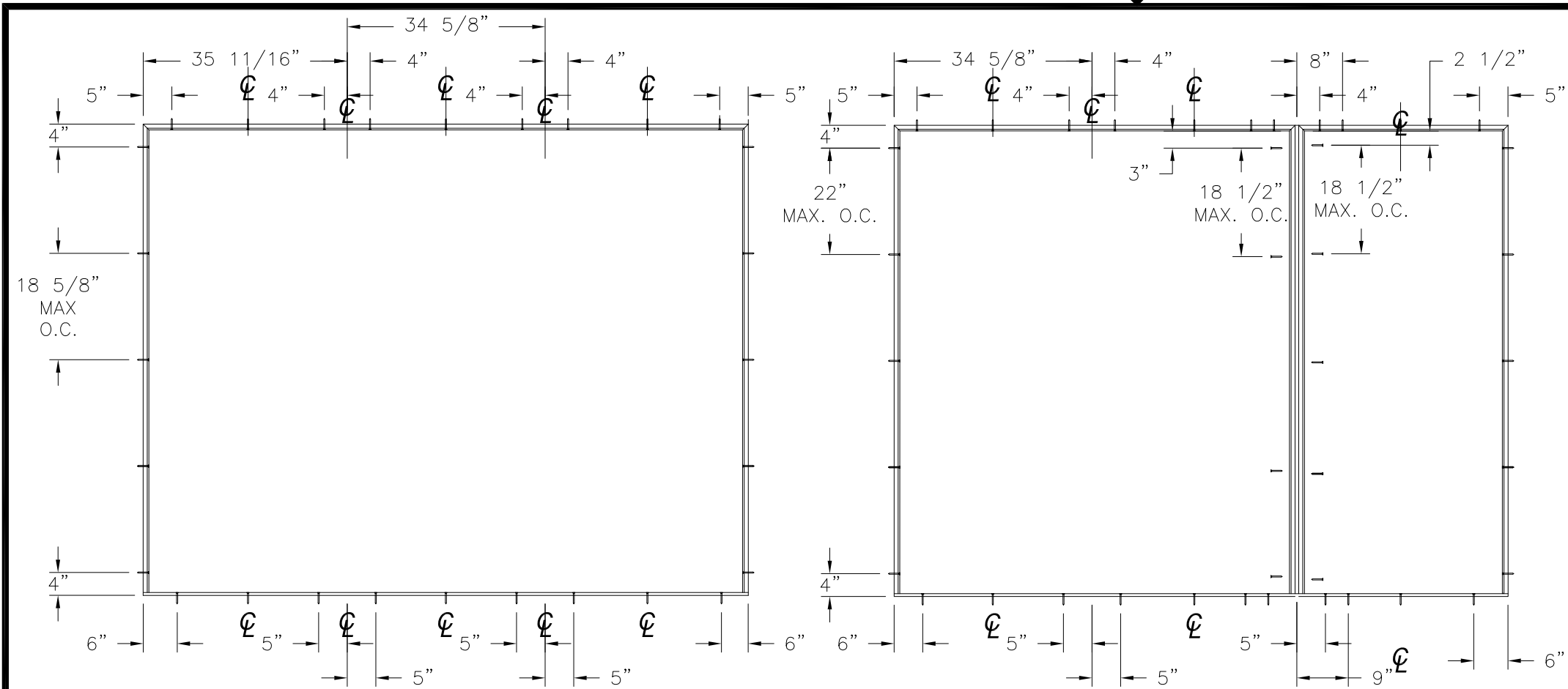
DRAWN: V.L.	DWG NO. 08-01553	REV B
SCALE NTS	DATE 05/31/12	SHEET 4 OF 13

L. ROBERTO LOMAS P.E.
 1432 WOODFORD RD LEWISVILLE, NC 27023
 434-688-0609 rllomas@lrlomaspe.com

SIGNED: 04/13/2021



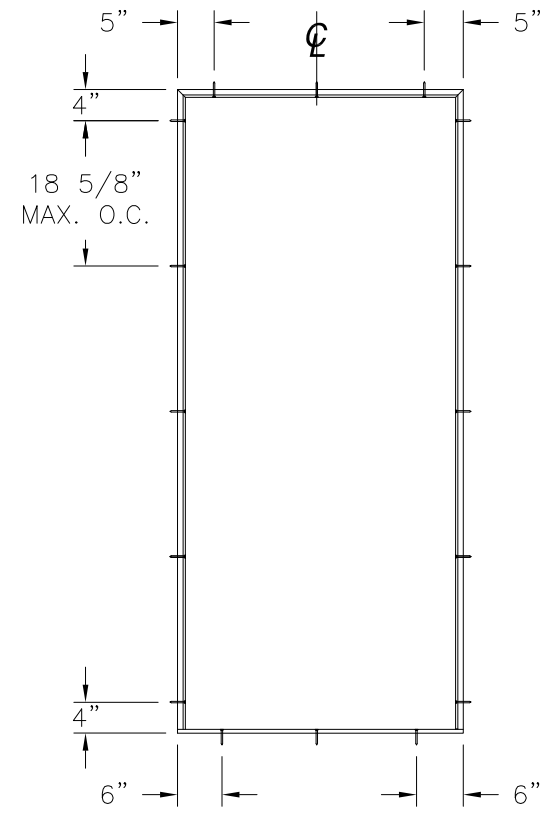
Luis R. Lomas P.E.
 TX No. 101889



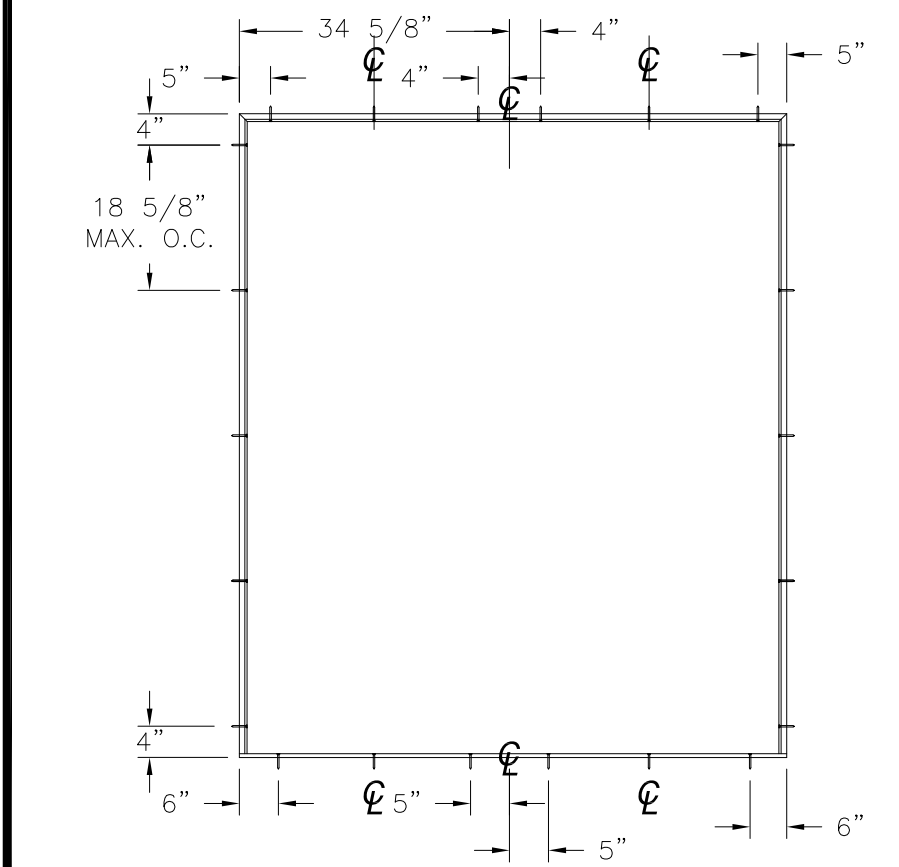
ANCHORING LAYOUT FOR OXO, XXO AND OXX

ANCHORING LAYOUT FOR OXO, XXO AND OXX (MULL)

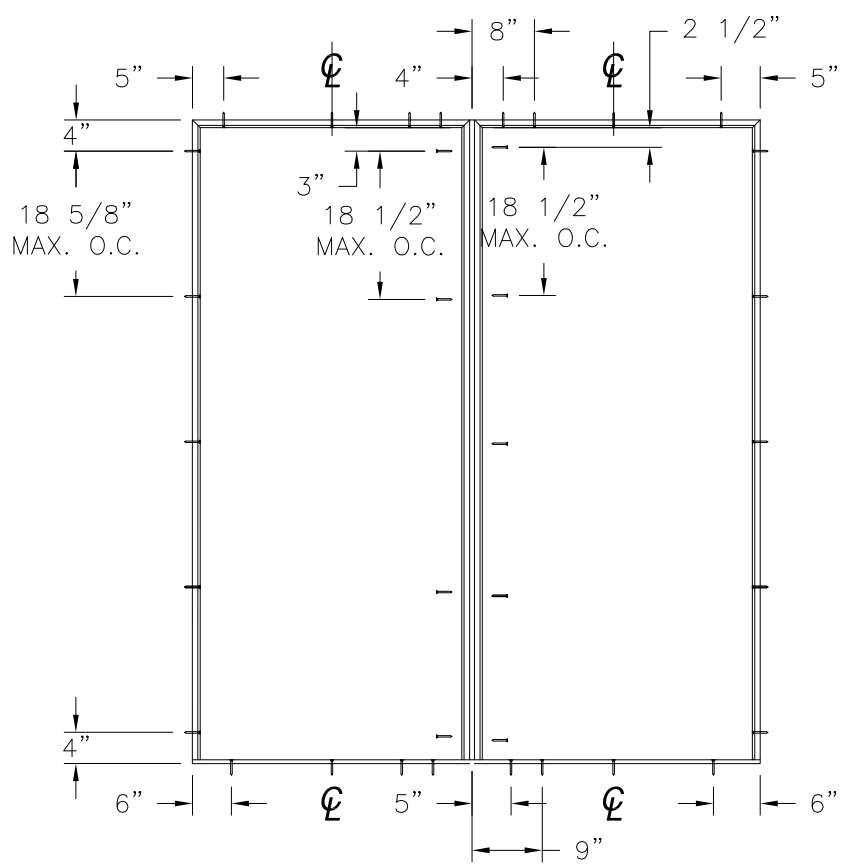
REVISIONS			
REV	DESCRIPTION	DATE	APPROVED
B	REVISED PER NEW REQUIREMENTS	12/19/19	R.L.



ANCHORING LAYOUT FOR X



ANCHORING LAYOUT FOR XX, OX AND XO



ANCHORING LAYOUT FOR OX AND XO (MULL)

NAN YA PLASTICS CORP. USA
 8989 NORTH LOOP EAST
 HOUSTON, TX 77029

IN-SWING ENTRANCE DOOR W/ SIDELITES
 FIBERGLASS IMPACT GLAZED
 ANCHORING LAYOUTS

DRAWN: V.L.	DWG NO. 08-01553	REV B
SCALE NTS	DATE 05/31/12	SHEET 5 OF 13

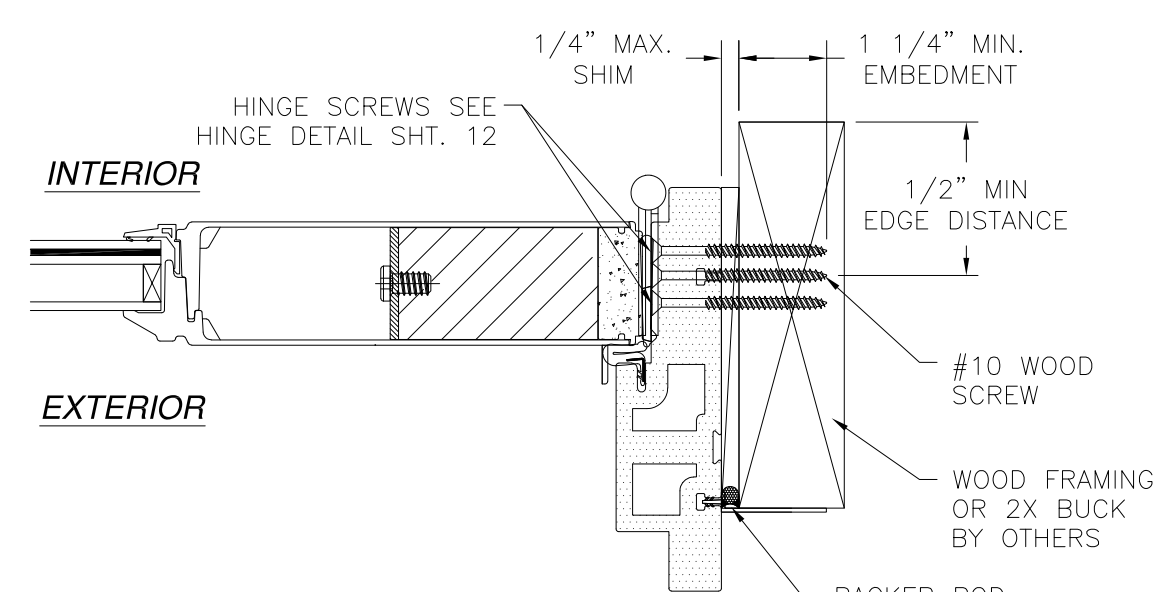
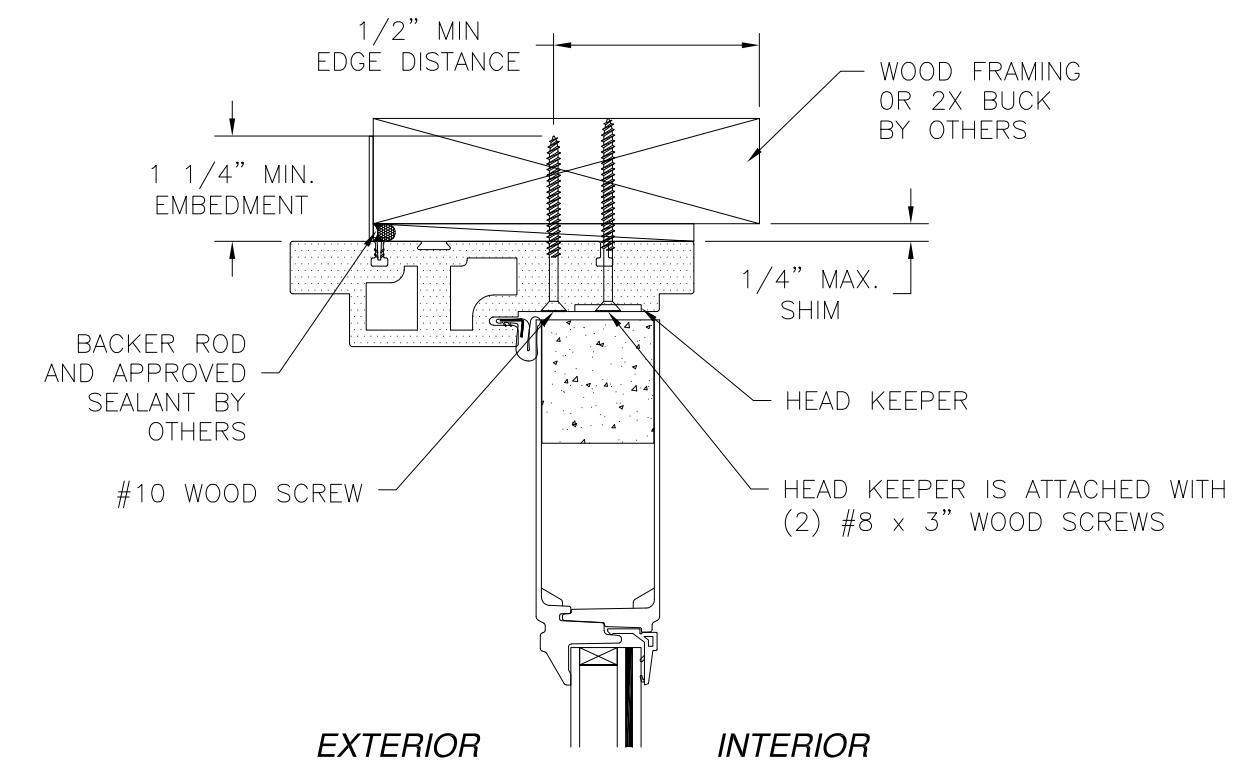
L. ROBERTO LOMAS P.E.
 1432 WOODFORD RD LEWISVILLE, NC 27023
 434-688-0609 rllomas@rlomaspe.com

SIGNED: 04/13/2021

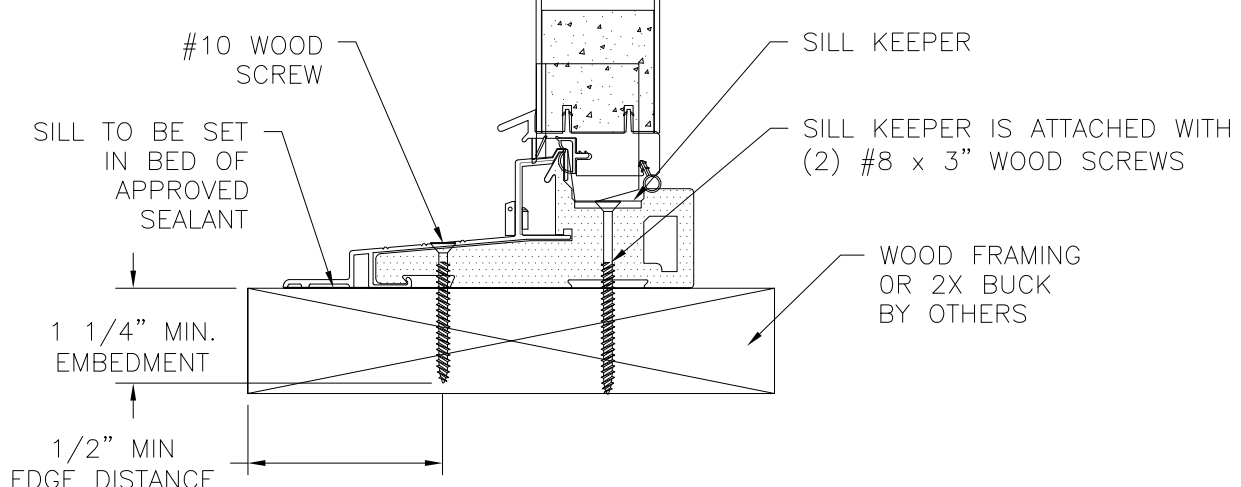


Luis R. Lomas P.E.
 TX No. 101889

REVISIONS			
REV	DESCRIPTION	DATE	APPROVED
B	REVISED PER NEW REQUIREMENTS	12/19/19	R.L.



DOOR HORIZONTAL CROSS SECTION
2X BUCK/WOOD FRAMING INSTALLATION



DOOR VERTICAL CROSS SECTION
2X BUCK/WOOD FRAMING INSTALLATION

- NOTES:**
1. INTERIOR AND EXTERIOR FINISHES, BY OTHERS, NOT SHOWN FOR CLARITY.
 2. PERIMETER AND JOINT SEALANT BY OTHERS TO BE DESIGNED IN ACCORDANCE WITH ASTM E2112

SIGNED: 04/13/2021

NAN YA PLASTICS CORP. USA
8989 NORTH LOOP EAST
HOUSTON, TX 77029

IN-SWING ENTRANCE DOOR W/ SIDELITES
FIBERGLASS IMPACT GLAZED
INSTALLATION DETAILS

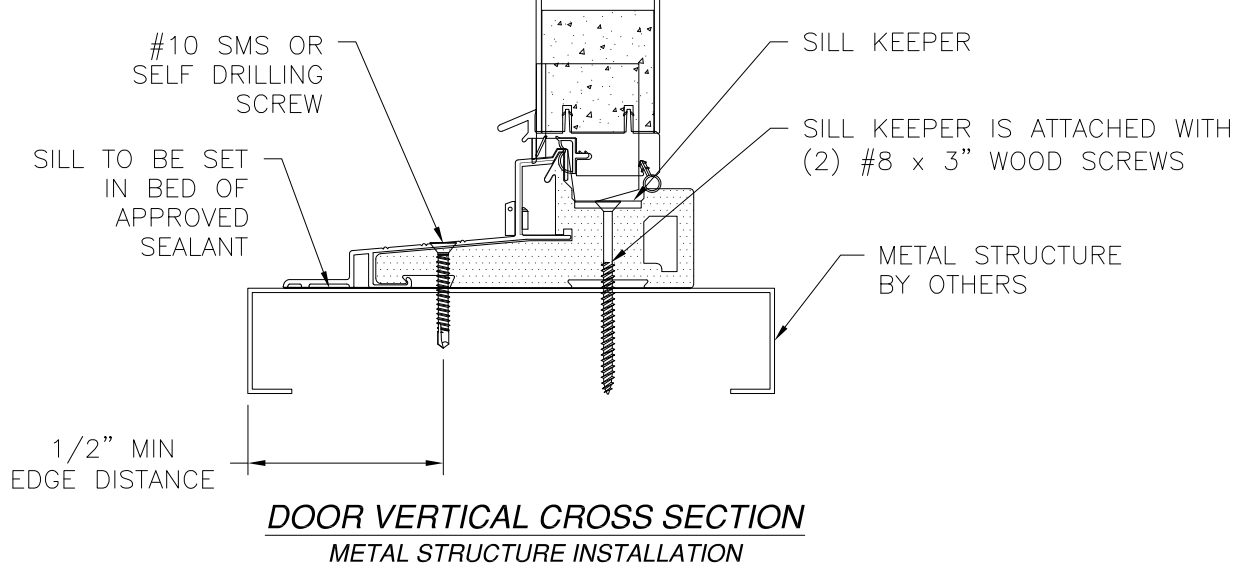
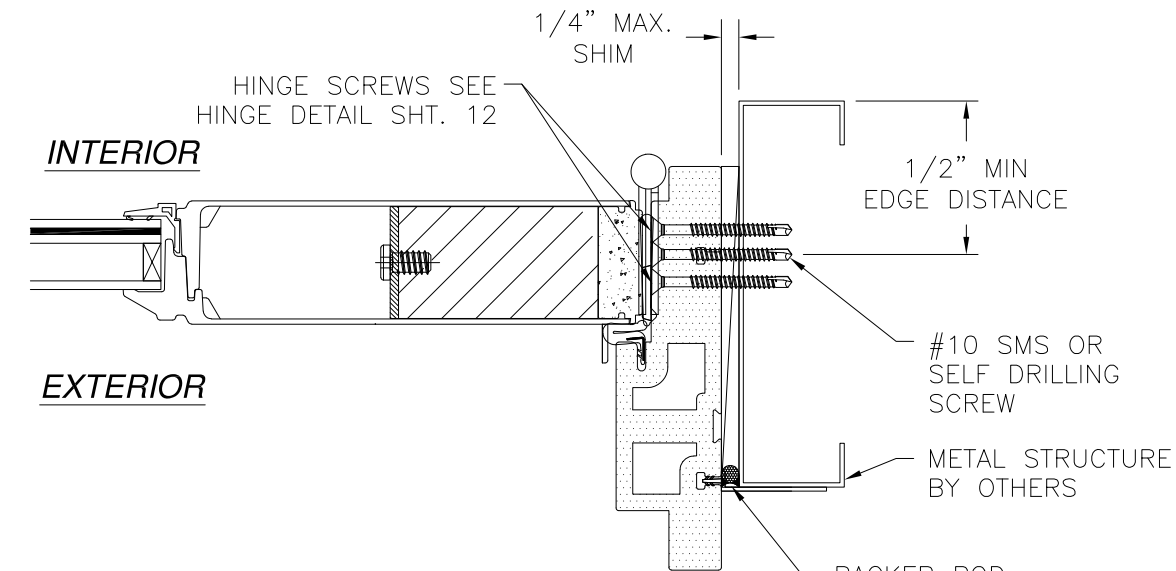
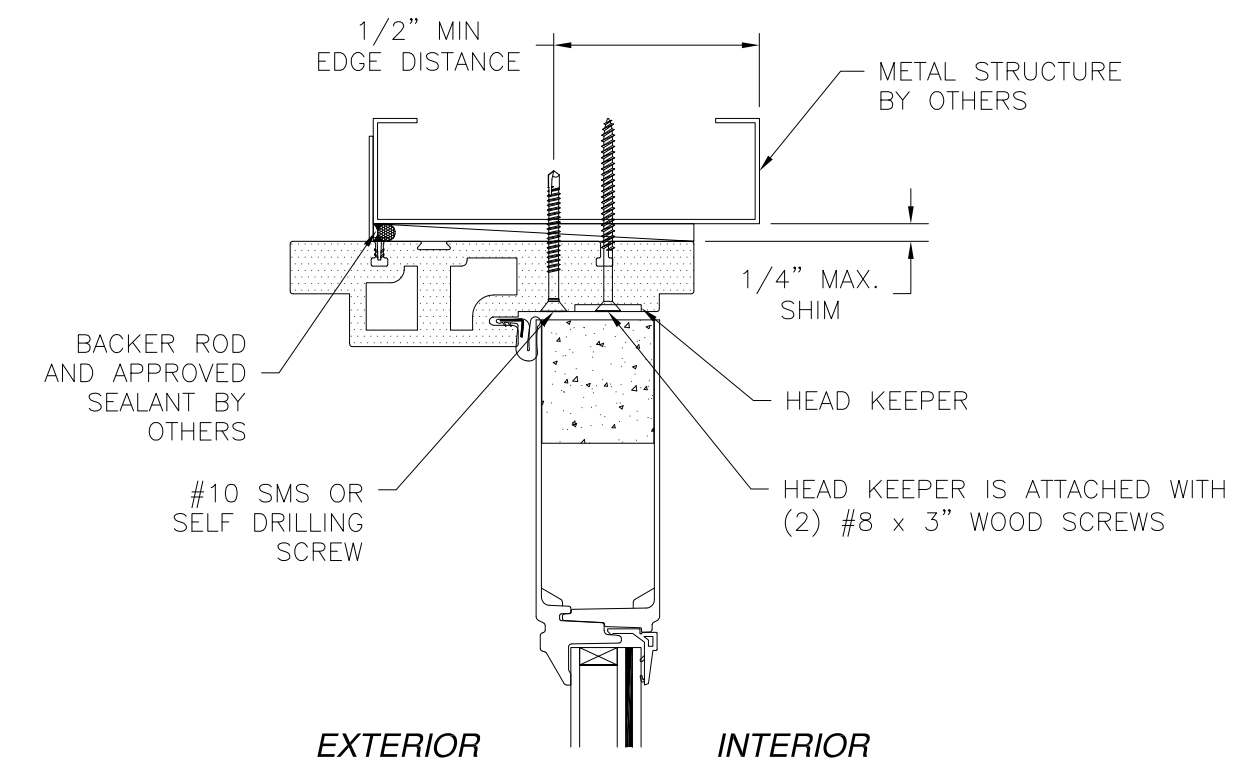
DRAWN: V.L.	DWG NO. 08-01553	REV B
SCALE NTS	DATE 05/31/12	SHEET 6 OF 13

L. ROBERTO LOMAS P.E.
1432 WOODFORD RD LEWISVILLE, NC 27023
434-688-0609 rllomas@rlomaspe.com



Luis R. Lomas P.E.
TX No. 101889

REVISIONS			
REV	DESCRIPTION	DATE	APPROVED
B	REVISED PER NEW REQUIREMENTS	12/19/19	R.L.



DOOR HORIZONTAL CROSS SECTION
METAL STRUCTURE INSTALLATION

DOOR VERTICAL CROSS SECTION
METAL STRUCTURE INSTALLATION

- NOTES:**
1. INTERIOR AND EXTERIOR FINISHES, BY OTHERS, NOT SHOWN FOR CLARITY.
 2. PERIMETER AND JOINT SEALANT BY OTHERS TO BE DESIGNED IN ACCORDANCE WITH ASTM E2112

SIGNED: 04/13/2021

NAN YA PLASTICS CORP. USA
8989 NORTH LOOP EAST
HOUSTON, TX 77029

IN-SWING ENTRANCE DOOR W/ SIDELITES
FIBERGLASS IMPACT GLAZED
INSTALLATION DETAILS

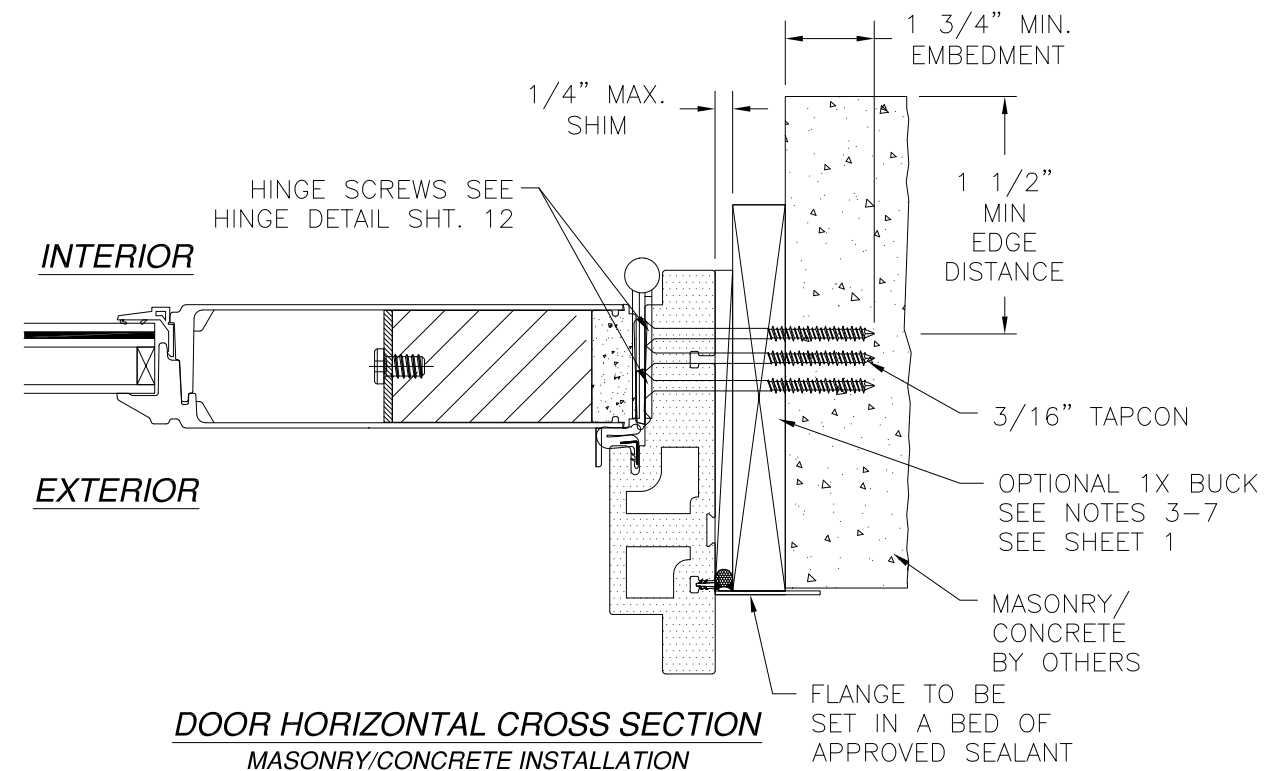
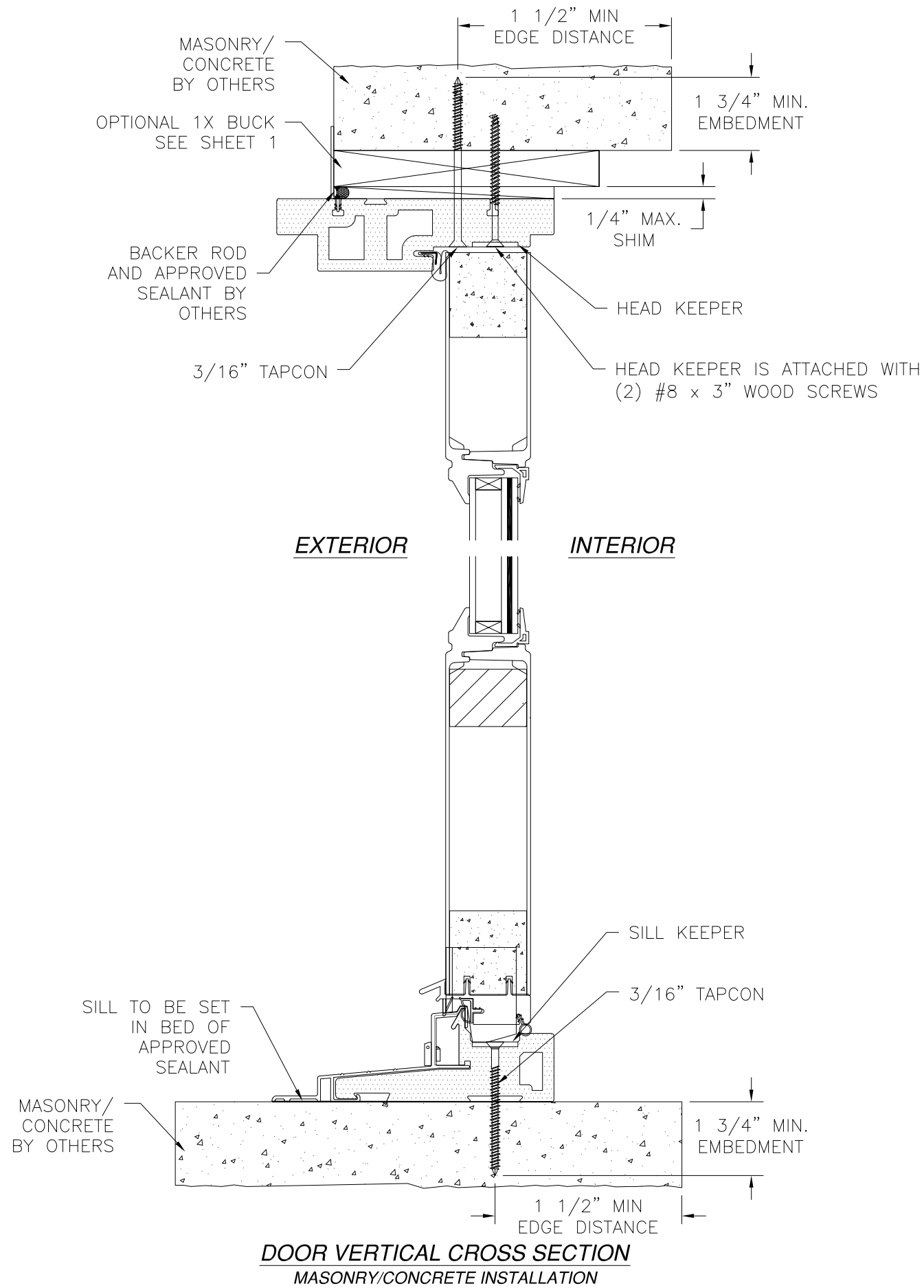
DRAWN: V.L.	DWG NO. 08-01553	REV B
SCALE NTS	DATE 05/31/12	SHEET 7 OF 13

L. ROBERTO LOMAS P.E.
1432 WOODFORD RD LEWISVILLE, NC 27023
434-688-0609 rllomas@rlomaspe.com



Luis R. Lomas P.E.
TX No. 101889

REVISIONS			
REV	DESCRIPTION	DATE	APPROVED
B	REVISED PER NEW REQUIREMENTS	12/19/19	R.L.



DOOR HORIZONTAL CROSS SECTION
MASONRY/CONCRETE INSTALLATION

- NOTES:**
1. INTERIOR AND EXTERIOR FINISHES, BY OTHERS, NOT SHOWN FOR CLARITY.
 2. PERIMETER AND JOINT SEALANT BY OTHERS TO BE DESIGNED IN ACCORDANCE WITH ASTM E2112

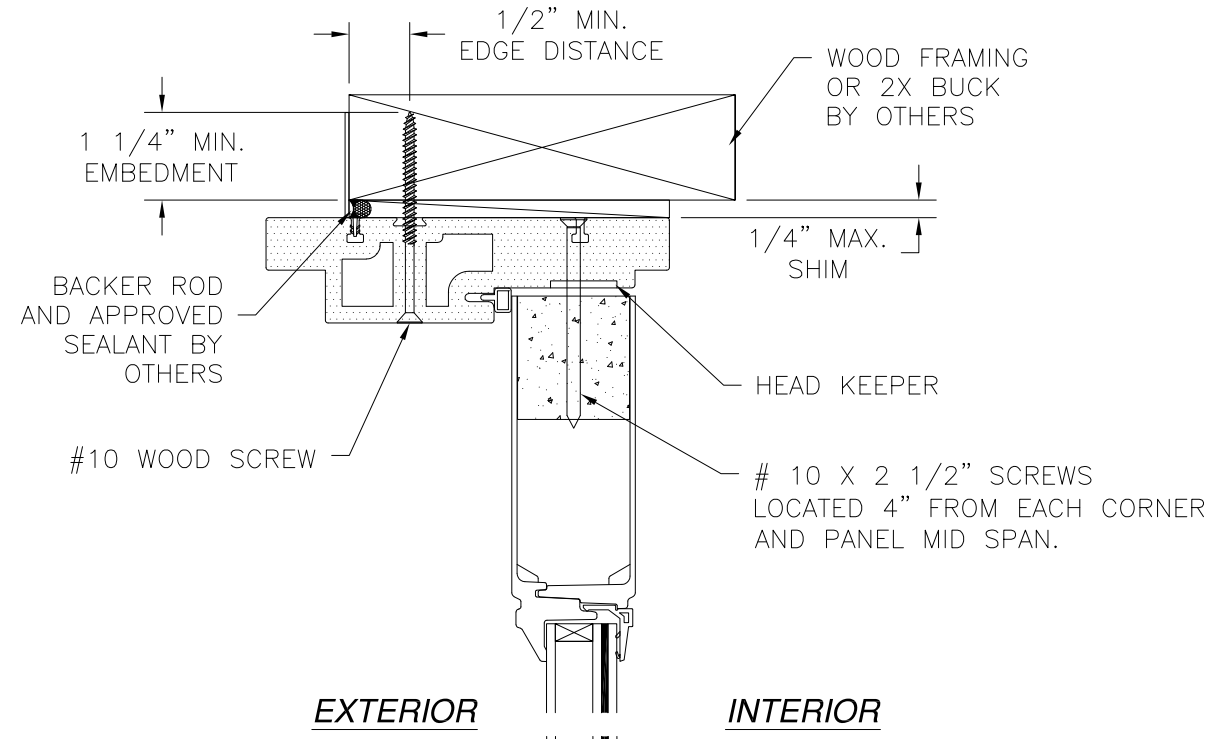
SIGNED: 04/13/2021

NAN YA PLASTICS CORP. USA 8989 NORTH LOOP EAST HOUSTON, TX 77029		
IN-SWING ENTRANCE DOOR W/ SIDELITES FIBERGLASS IMPACT GLAZED INSTALLATION DETAILS		
DRAWN: V.L.	DWG NO. 08-01553	REV B
SCALE NTS	DATE 05/31/12	SHEET 8 OF 13
L. ROBERTO LOMAS P.E. 1432 WOODFORD RD LEWISVILLE, NC 27023 434-688-0609 rllomas@rlomaspe.com		

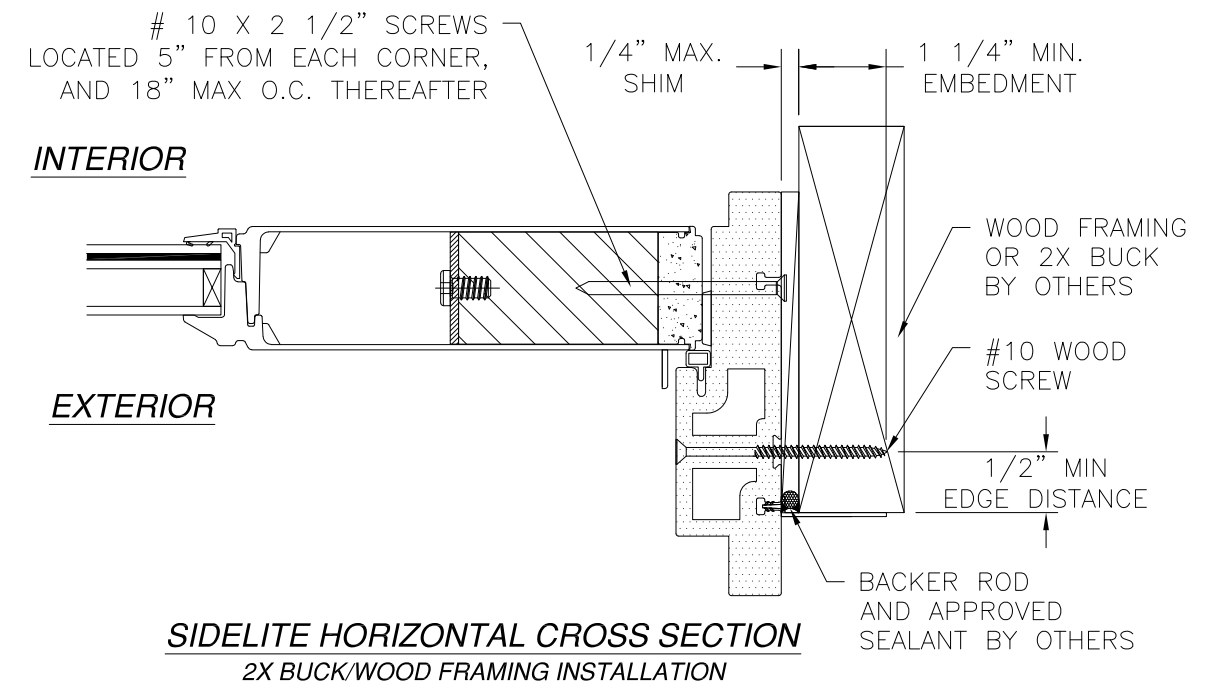


Luis R. Lomas P.E.
TX No. 101889

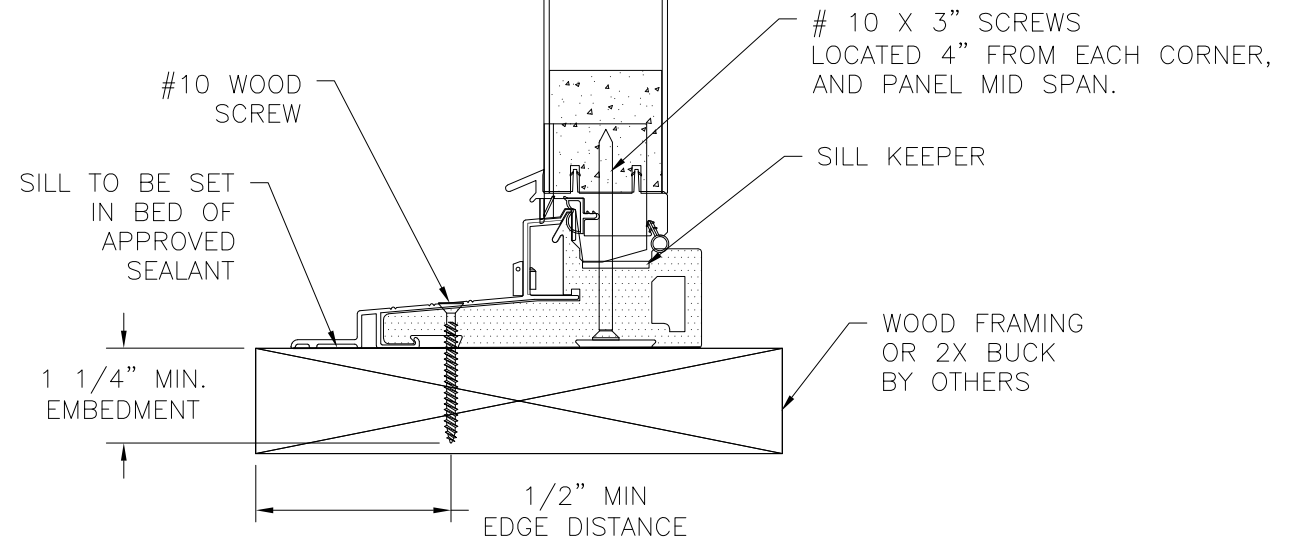
REVISIONS			
REV	DESCRIPTION	DATE	APPROVED
B	REVISED PER NEW REQUIREMENTS	12/19/19	R.L.



SIDELITE VERTICAL CROSS SECTION
2X BUCK/WOOD FRAMING INSTALLATION



SIDELITE HORIZONTAL CROSS SECTION
2X BUCK/WOOD FRAMING INSTALLATION



- NOTES:**
1. INTERIOR AND EXTERIOR FINISHES, BY OTHERS, NOT SHOWN FOR CLARITY.
 2. PERIMETER AND JOINT SEALANT BY OTHERS TO BE DESIGNED IN ACCORDANCE WITH ASTM E2112

SIGNED: 04/13/2021

NAN YA PLASTICS CORP. USA
8989 NORTH LOOP EAST
HOUSTON, TX 77029

IN-SWING ENTRANCE DOOR W/ SIDELITES
FIBERGLASS IMPACT GLAZED
INSTALLATION DETAILS

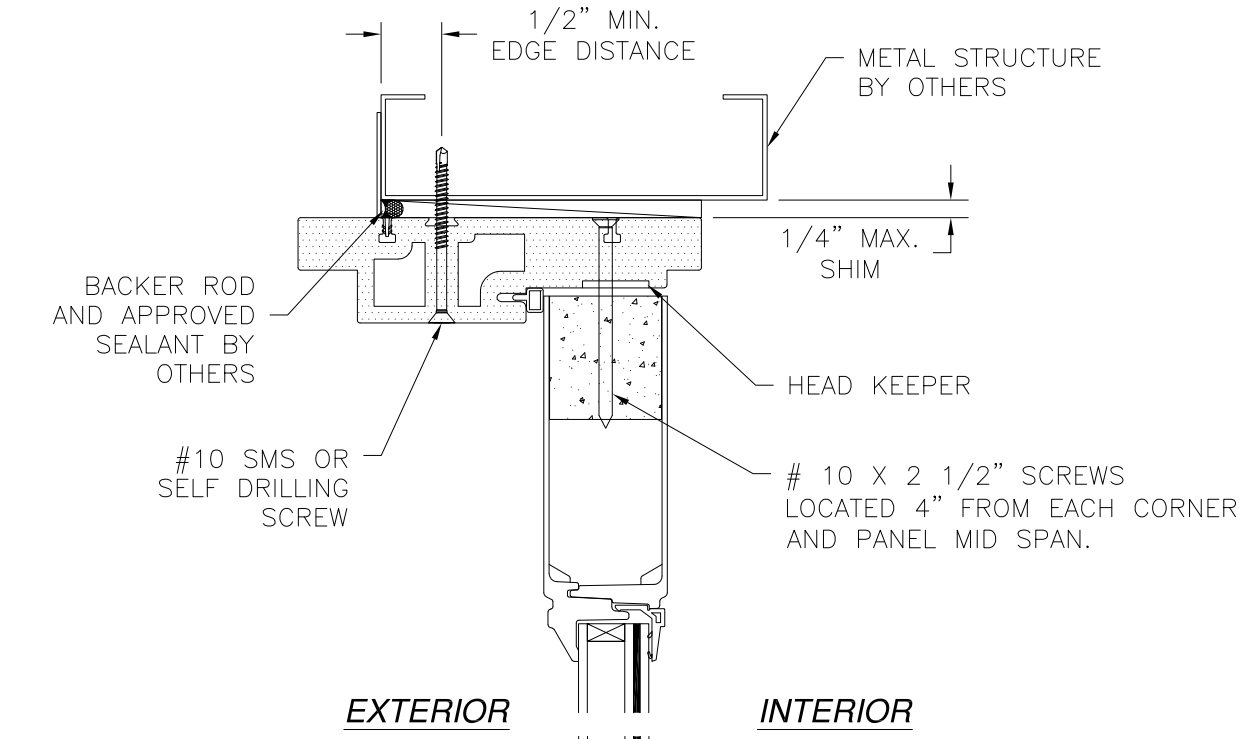
DRAWN: V.L.	DWG NO. 08-01553	REV B
SCALE NTS	DATE 05/31/12	SHEET 9 OF 13

L. ROBERTO LOMAS P.E.
1432 WOODFORD RD LEWISVILLE, NC 27023
434-688-0609 rllomas@lrlomaspe.com

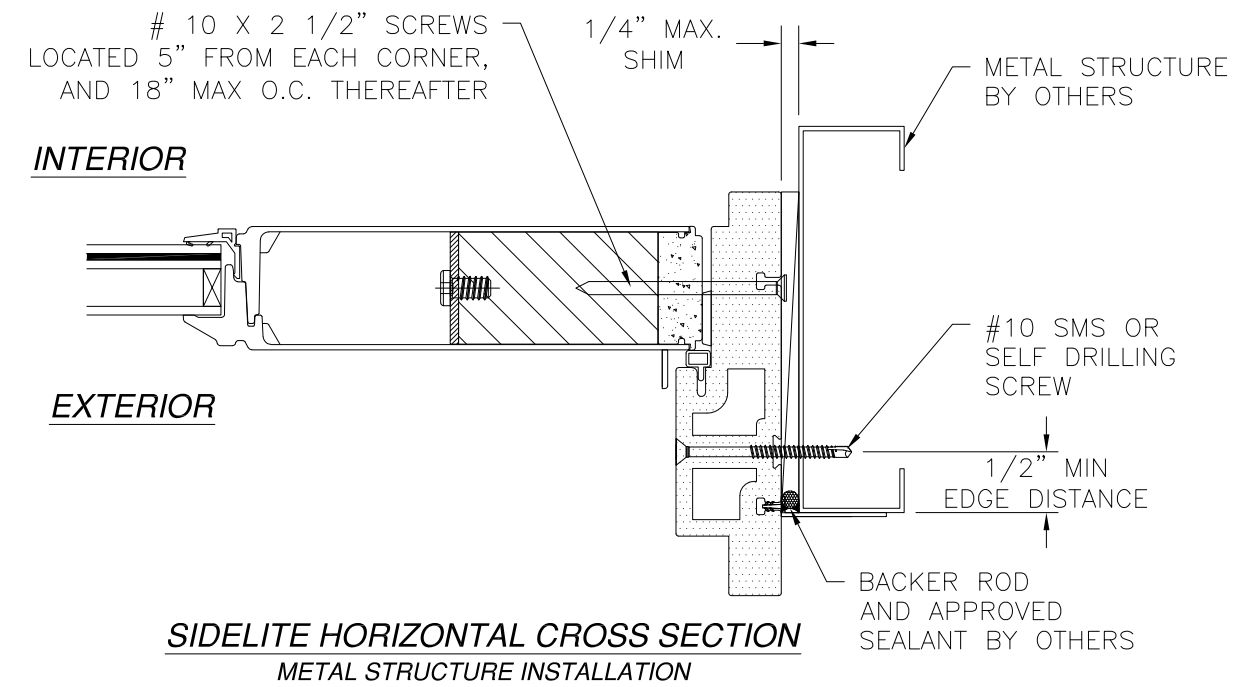


Luis R. Lomas P.E.
TX No. 101889

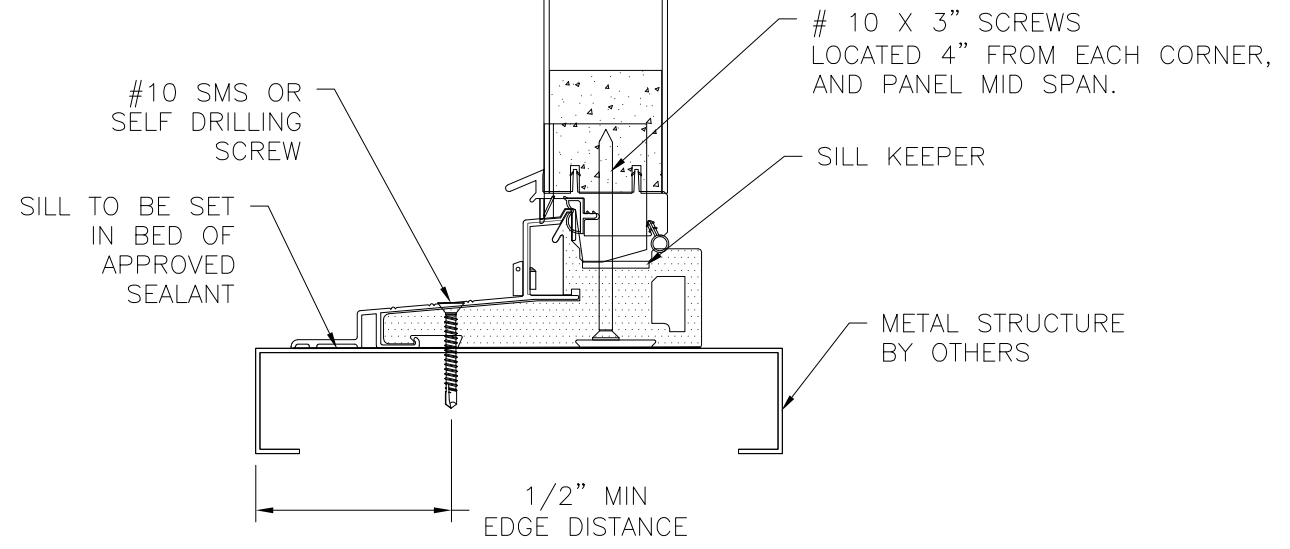
REVISIONS			
REV	DESCRIPTION	DATE	APPROVED
B	REVISED PER NEW REQUIREMENTS	12/19/19	R.L.



SIDELITE VERTICAL CROSS SECTION
METAL STRUCTURE INSTALLATION



SIDELITE HORIZONTAL CROSS SECTION
METAL STRUCTURE INSTALLATION



- NOTES:**
1. INTERIOR AND EXTERIOR FINISHES, BY OTHERS, NOT SHOWN FOR CLARITY.
 2. PERIMETER AND JOINT SEALANT BY OTHERS TO BE DESIGNED IN ACCORDANCE WITH ASTM E2112

SIGNED: 04/13/2021

NAN YA PLASTICS CORP. USA
8989 NORTH LOOP EAST
HOUSTON, TX 77029

IN-SWING ENTRANCE DOOR W/ SIDELITES
FIBERGLASS IMPACT GLAZED
INSTALLATION DETAILS

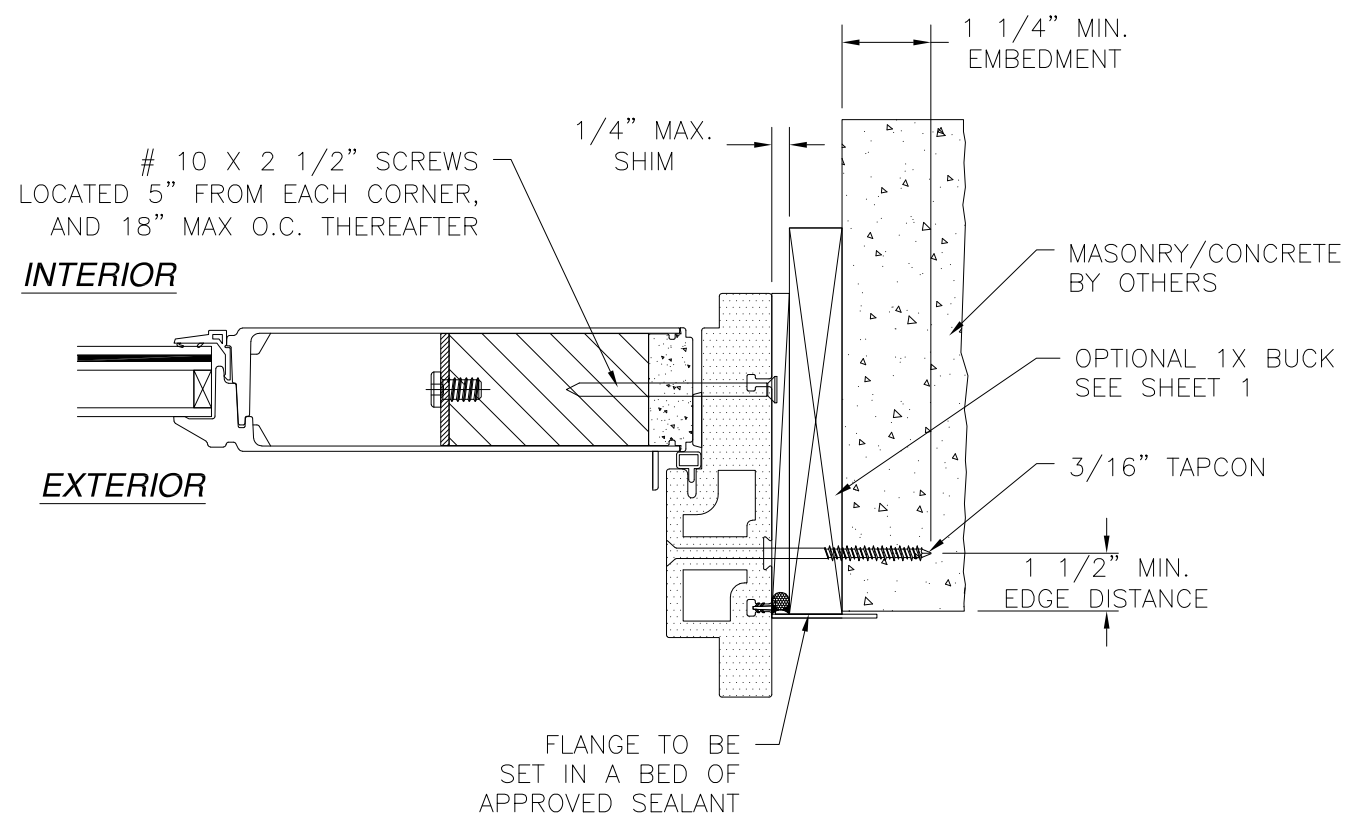
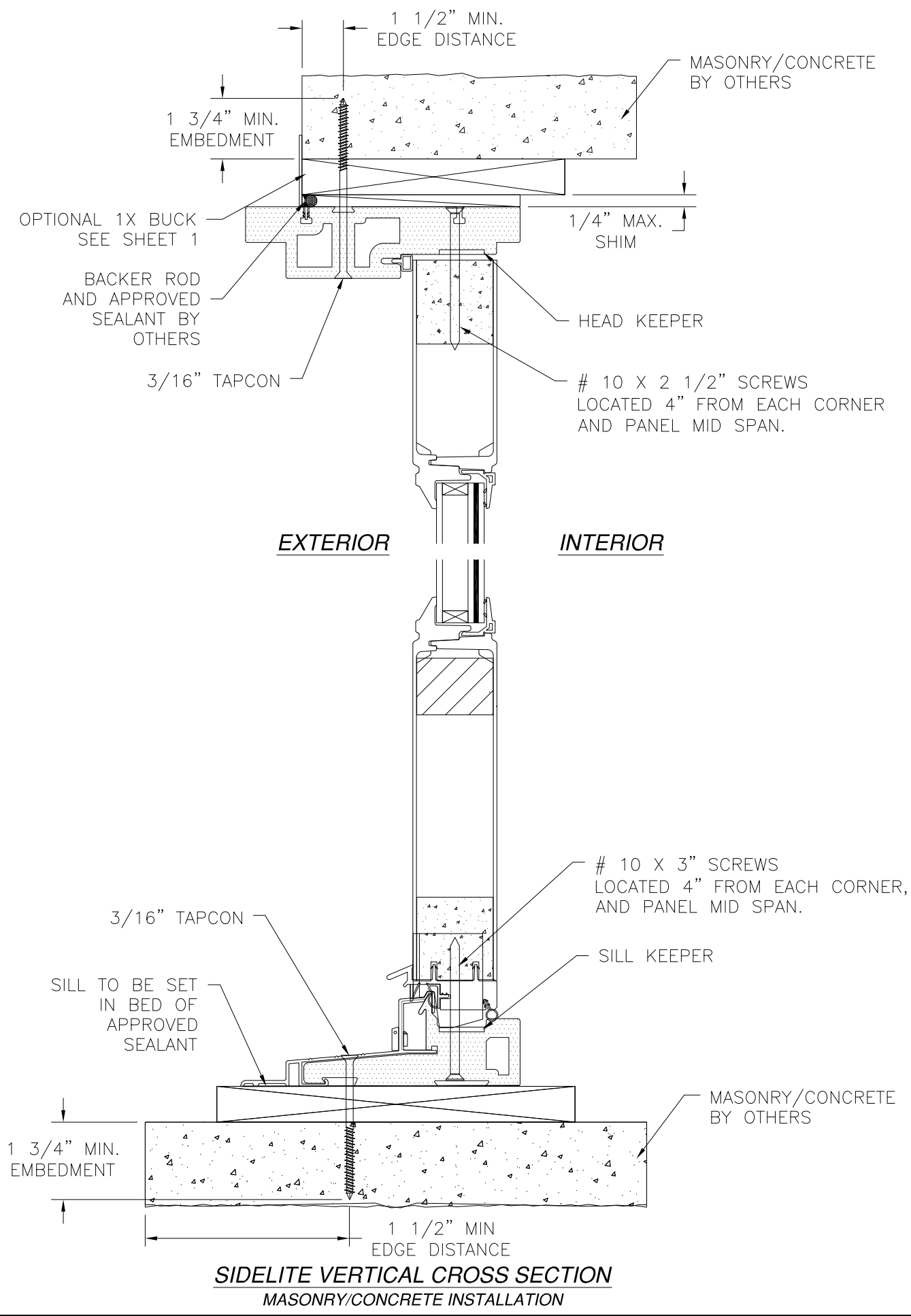
DRAWN: V.L.	DWG NO. 08-01553	REV B
SCALE NTS	DATE 05/31/12	SHEET 10 OF 13

L. ROBERTO LOMAS P.E.
1432 WOODFORD RD LEWISVILLE, NC 27023
434-688-0609 rllomas@rlomaspe.com



Luis R. Lomas P.E.
TX No. 101889

REVISIONS			
REV	DESCRIPTION	DATE	APPROVED
B	REVISED PER NEW REQUIREMENTS	12/19/19	R.L.



SIDELITE HORIZONTAL CROSS SECTION
MASONRY/CONCRETE INSTALLATION

- NOTES:**
1. INTERIOR AND EXTERIOR FINISHES, BY OTHERS, NOT SHOWN FOR CLARITY.
 2. PERIMETER AND JOINT SEALANT BY OTHERS TO BE DESIGNED IN ACCORDANCE WITH ASTM E2112

SIGNED: 04/13/2021

NAN YA PLASTICS CORP. USA
8989 NORTH LOOP EAST
HOUSTON, TX 77029

IN-SWING ENTRANCE DOOR W/ SIDELITES
FIBERGLASS IMPACT GLAZED
INSTALLATION DETAILS

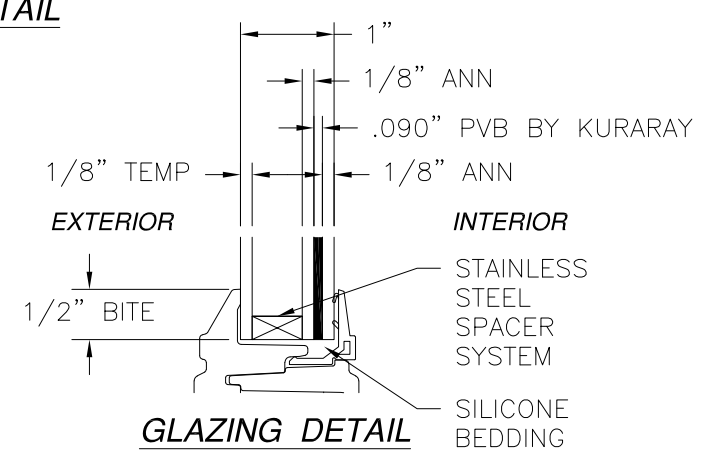
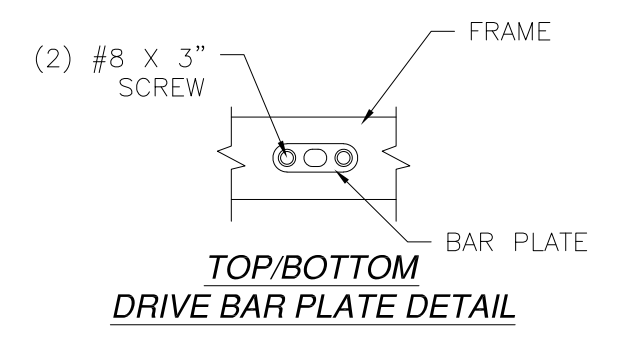
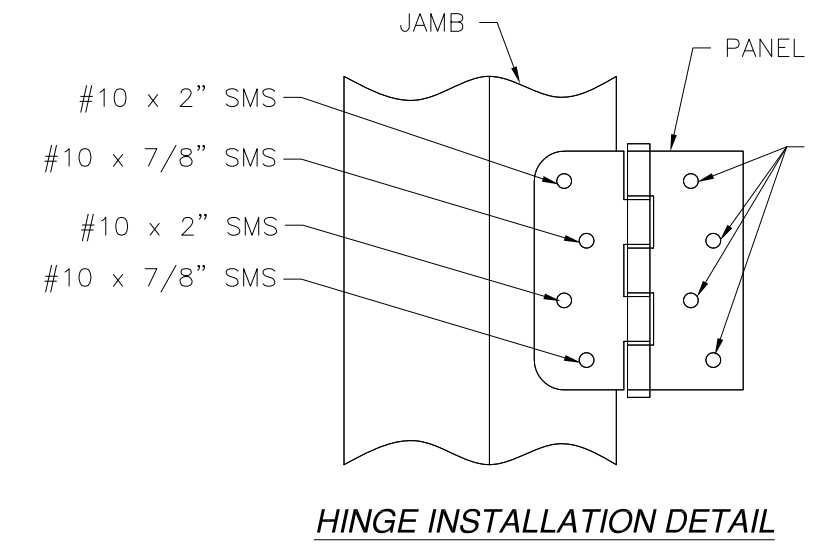
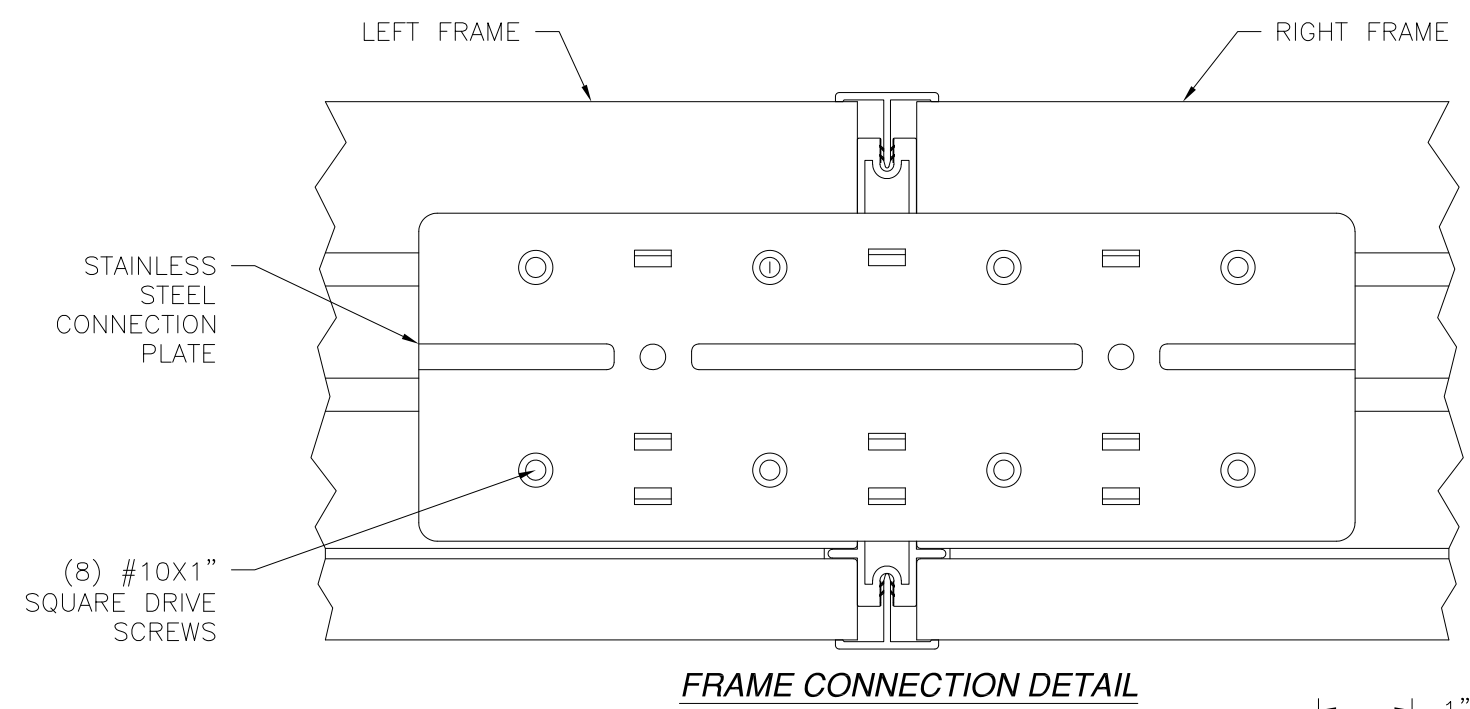
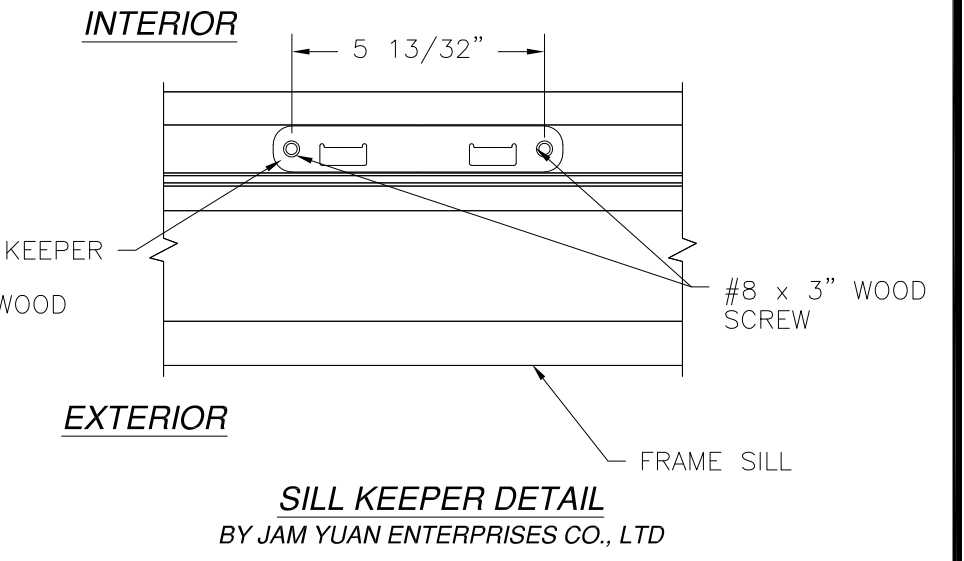
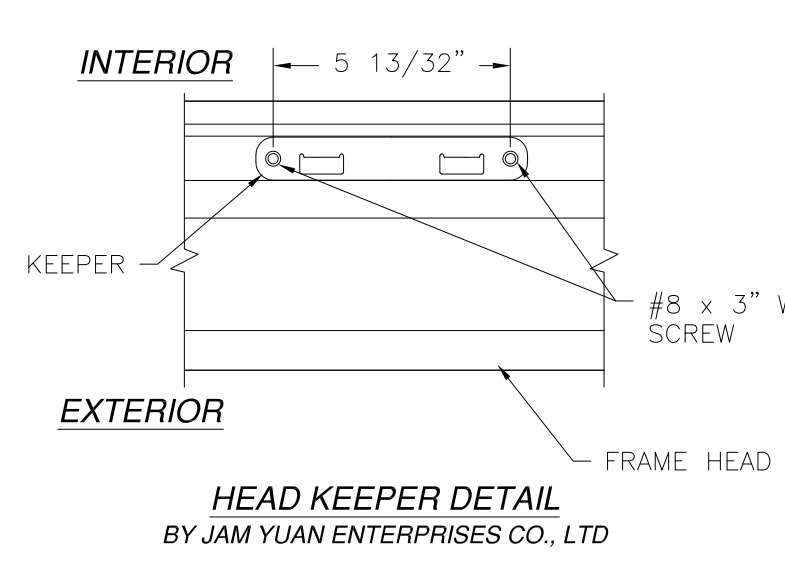
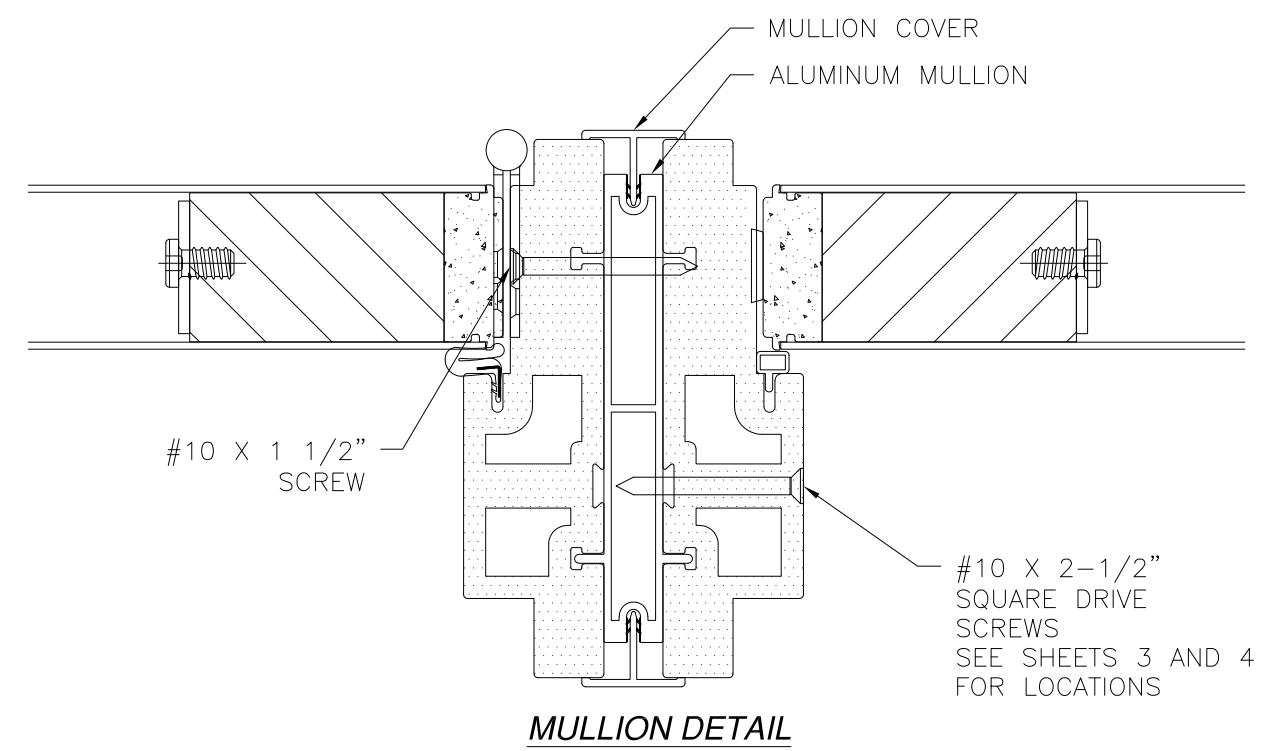
DRAWN: V.L.	DWG NO. 08-01553	REV B
SCALE NTS	DATE 05/31/12	SHEET 11 OF 13

L. ROBERTO LOMAS P.E.
1432 WOODFORD RD LEWISVILLE, NC 27023
434-688-0609 rllomas@rlomaspe.com



Luis R. Lomas P.E.
TX No. 101889

REVISIONS			
REV	DESCRIPTION	DATE	APPROVED
B	REVISED PER NEW REQUIREMENTS	12/19/19	R.L.



NAN YA PLASTICS CORP. USA
8989 NORTH LOOP EAST
HOUSTON, TX 77029

**IN-SWING ENTRANCE DOOR W/ SIDELITES
FIBERGLASS IMPACT GLAZED
INSTALLATION DETAILS**

DRAWN: V.L.	DWG NO. 08-01553	REV B
SCALE NTS	DATE 05/31/12	SHEET 12 OF 13

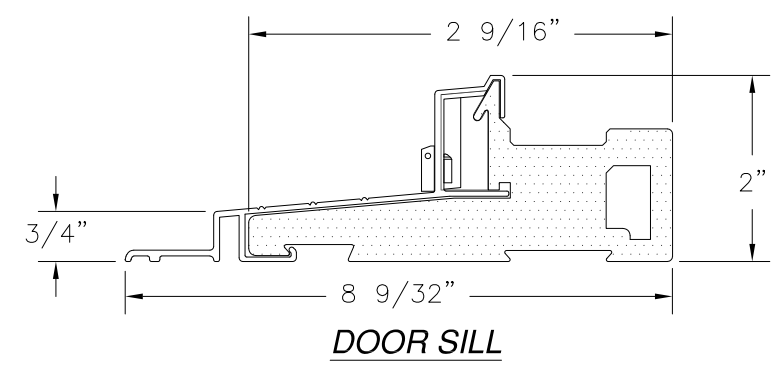
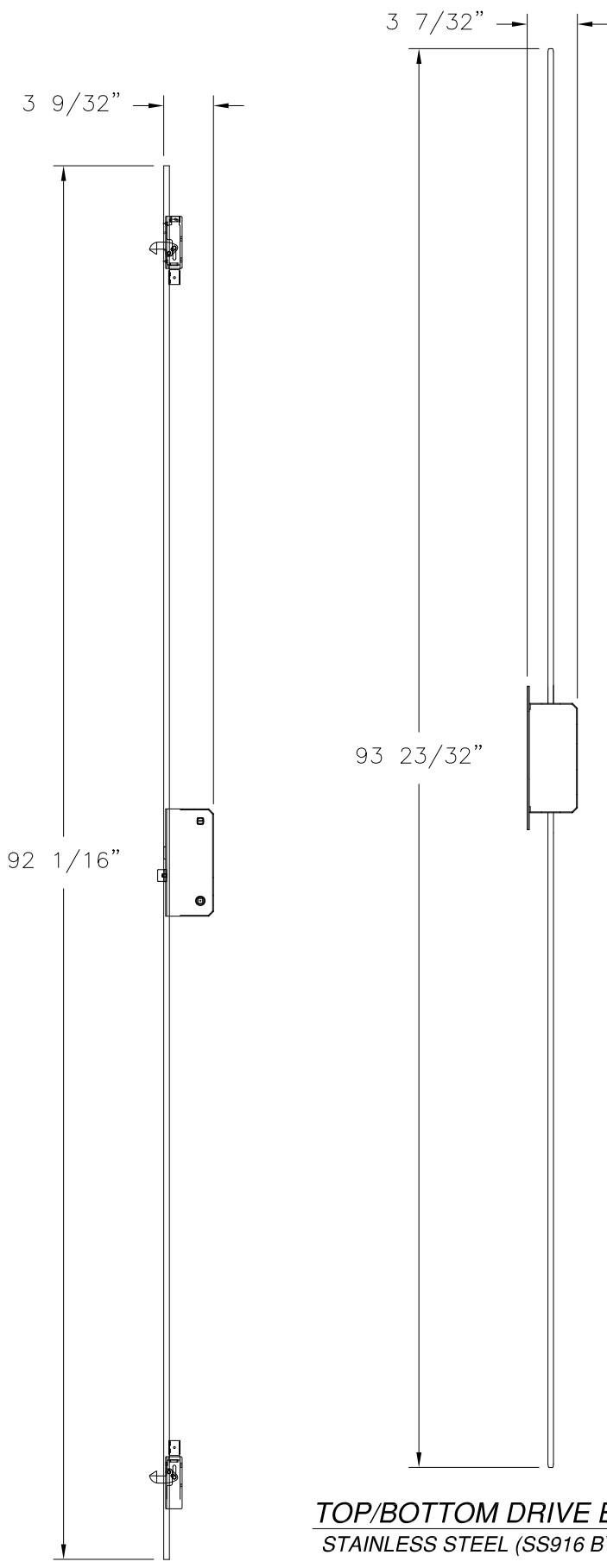
L. ROBERTO LOMAS P.E.
1432 WOODFORD RD LEWISVILLE, NC 27023
434-688-0609 rllomas@lrlomaspe.com

SIGNED: 04/13/2021

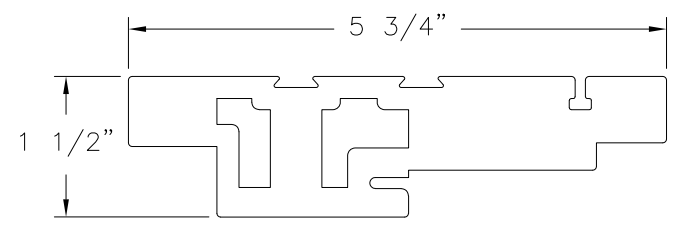


Luis R. Lomas P.E.
TX No. 101889

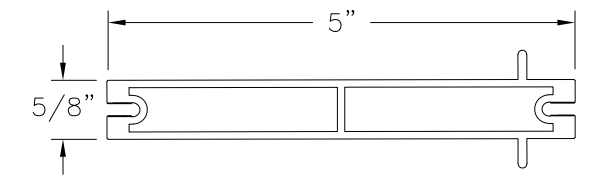
REVISIONS			
REV	DESCRIPTION	DATE	APPROVED
B	REVISED PER NEW REQUIREMENTS	12/19/19	R.L.



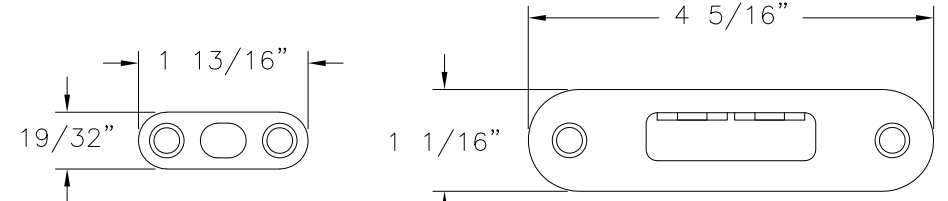
DOOR SILL



HEAD FRAME & JAMB
FOAM PVC CO-EX

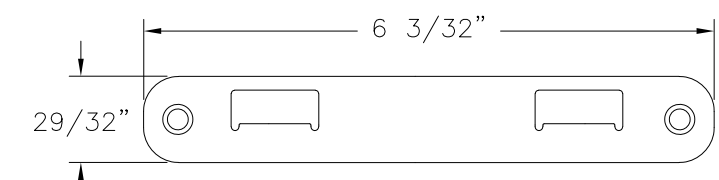


ALUMINUM MULLION
ALUMINUM

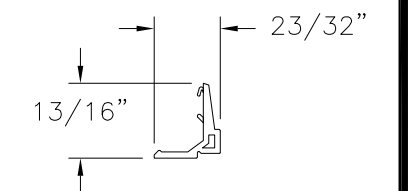


DRIVE BAR PLATE
STAINLESS STEEL

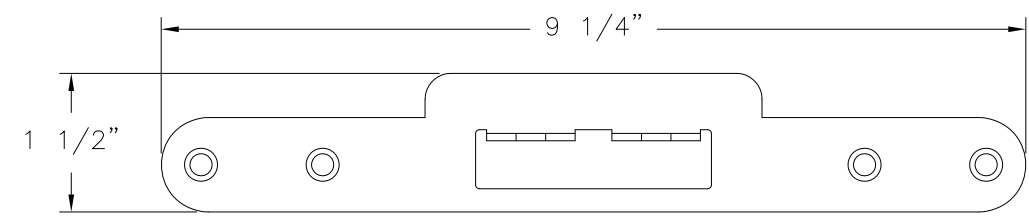
HOOK KEEPER
STAINLESS STEEL (SS92G)



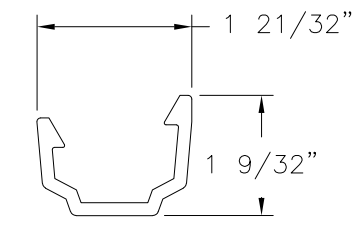
TOP/BOTTOM BAR KEEPER
STAINLESS STEEL



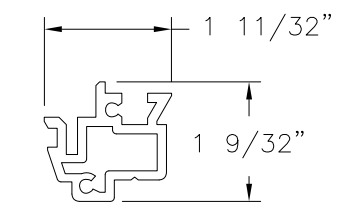
1" GLAZING BEAD
PVC



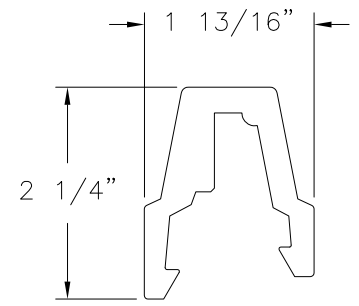
SLAB MULTI-POINT LOCK KEEPER
STAINLESS STEEL (SS92G)



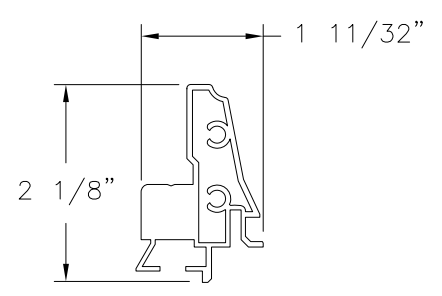
T-ASTRAGAL (A)
RIGID PVC



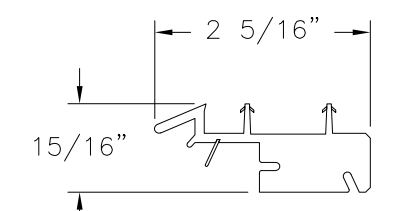
REINFORCEMENT (A)
ALUMINUM



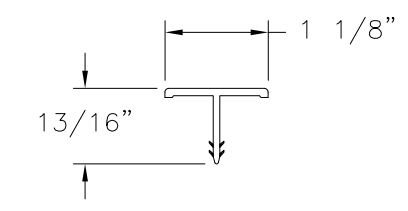
MULLION COVER (B)
FOAM PVC



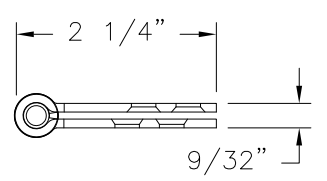
REINFORCEMENT (B)
ALUMINUM



DOOR BOTTOM
FOAM & RIGID PVC



MULLION COVER
PVC CO-EX



4" X 4" DOOR HINGE
STEEL

TOP/BOTTOM DRIVE BAR SYSTEM
STAINLESS STEEL (SS916 BY MICOTA TECH)

MULTI-POINT LOCKING SYSTEM
STAINLESS STEEL (SS93 BY MICOTA TECH)

SIGNED: 04/13/2021

NAN YA PLASTICS CORP. USA
8989 NORTH LOOP EAST
HOUSTON, TX 77029

IN-SWING ENTRANCE DOOR W/ SIDELITES
FIBERGLASS IMPACT GLAZED
COMPONENTS

DRAWN: V.L.	DWG NO. 08-01553	REV B
SCALE NTS	DATE 05/31/12	SHEET 13 OF 13

L. ROBERTO LOMAS P.E.
1432 WOODFORD RD LEWISVILLE, NC 27023
434-688-0609 rllomas@rlomaspe.com



Luis R. Lomas P.E.
TX No. 101889