

SERIES 6400 - MODEL 6402/6405/6406/6408
SERIES 8400 - MODEL 8402/8405/8406/8408
SERIES 9400 - MODEL 9402/9405/9406/9408
(3" & 5" SASH)
**EXTRUDED VINYL
 SLIDING PATIO DOORS
 "NON-IMPACT"**

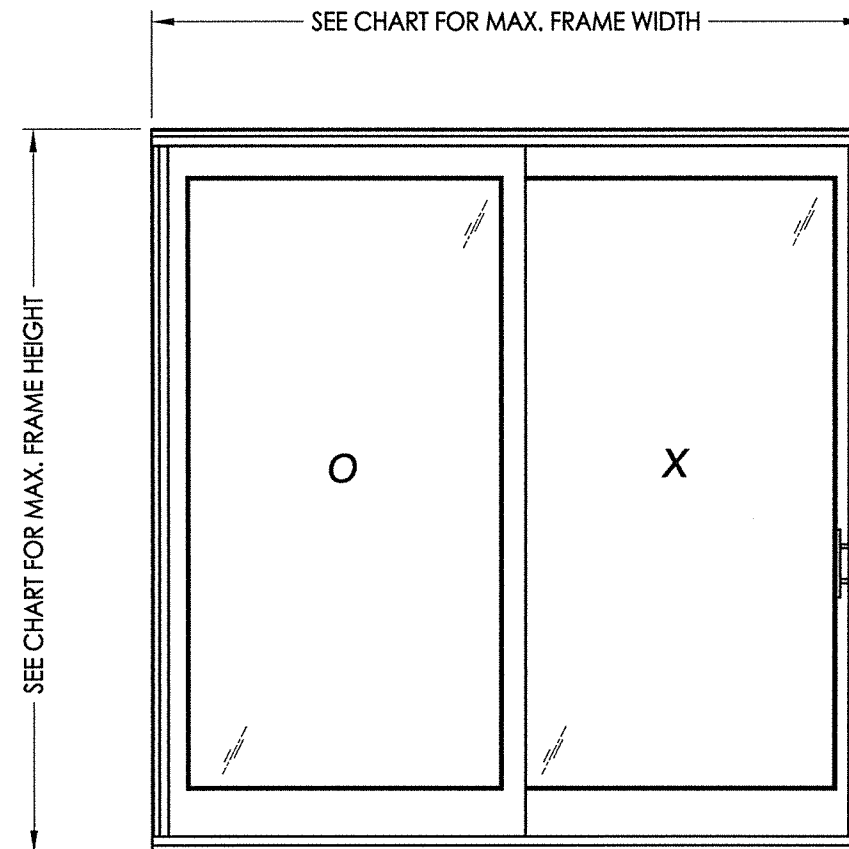
EVALUATED FOR USE IN THE STATE OF TEXAS

TDI DR-644

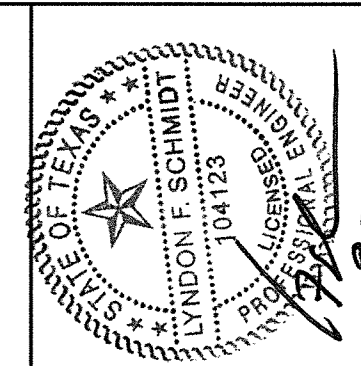
The Sliding Patio Door described herein complies with the 2018 International Residential Code (IRC), Sections R301 & R609 and the 2018 International Building Code (IBC), Sections 1404.13, 1609, 1709.5, 2403 and 2404 subject to the following conditions:

1. Anchors shall be as listed and spaced as shown in the details. Anchor embedment to base material shall be beyond wall dressing or stucco.
2. When used in areas requiring wind-borne debris protection this product is required to be protected with an impact resistant covering that complies with Section R301.2.1.2 of the IRC and Section 1609.2 of the IBC.
3. Allowable design pressure requirements must be equal to or less than the design pressure rating shown in the design pressure chart, sheet 1 of this drawing.
4. Conditions not covered by this drawing are subject to further engineering analysis.

TABLE OF CONTENTS	
SHEET#	DESCRIPTION
1	Typical elevation, design pressures & general notes
2	Horizontal cross sections
3	Vertical cross sections and glazing detail
4	Buck & frame anchoring
5	Bill of materials & components



OVERALL FRAME DIMENSION	SASH SIZE	MAX. PANEL DIMENSION	MAX. D.L.O. DIMENSION	GLASS TYPE	DESIGN PRESSURE (PSF)	
					POSITIVE	NEGATIVE
94.25" x 95.5"	3"	47.31" X 92.12"	40.75" X 85.62"	G1	+25.0	-25.0
94.25" x 79.5"	3"	47.5" X 76.19"	40.94" X 69.62"	G2	+25.0	-25.0
94.25" x 95.5"	5"	47.5" X 92.5"	38.0" X 82.12"	G1	+35.0	-35.0
70.62" x 79.5"	3"	35.5" X 76.12"	29.0" X 69.62"	G1	+45.0	-45.0


 Documents Prepared By: Lyndon F. Schmidt, P.E.
 TEXAS P.E. #104123

RW BUILDING CONSULTANTS, INC.
 P.O. Box 230 Vairico FL 33595
 Phone No.: 813.659.9197

 TEXAS BOARD OF PROFESSIONAL ENGINEERS
 CERTIFICATE OF REGISTRATION # F-11852

 PRODUCT: EXTRUDED VINYL SLIDING PATIO DOORS
 PART OR ASSEMBLY: TYPICAL ELEVATION, DESIGN PRESSURES & GENERAL NOTES

NO.	DATE	BY	REVISIONS

DATE: 9/21/21

SCALE: N.T.S.

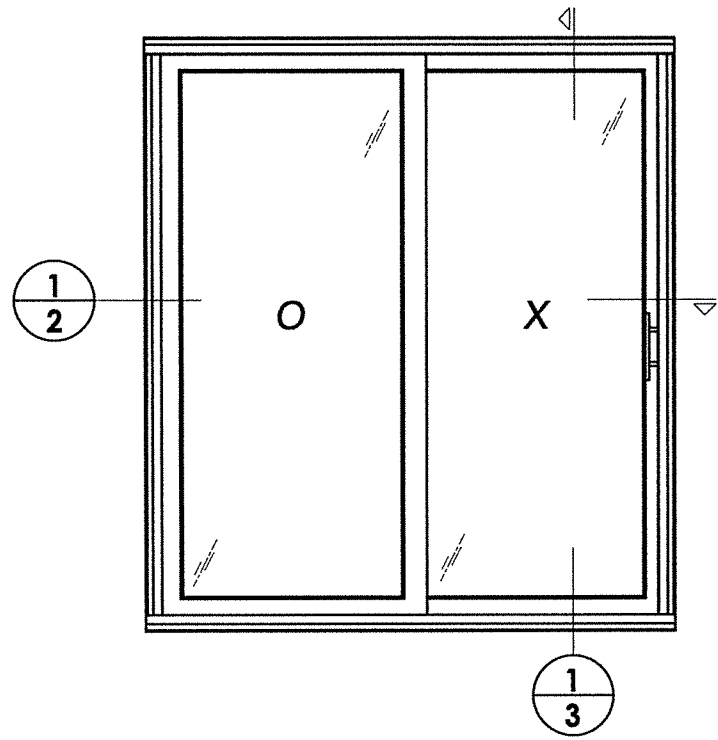
DWG. BY: RW

CHK. BY: LFS

DRAWING NO.:

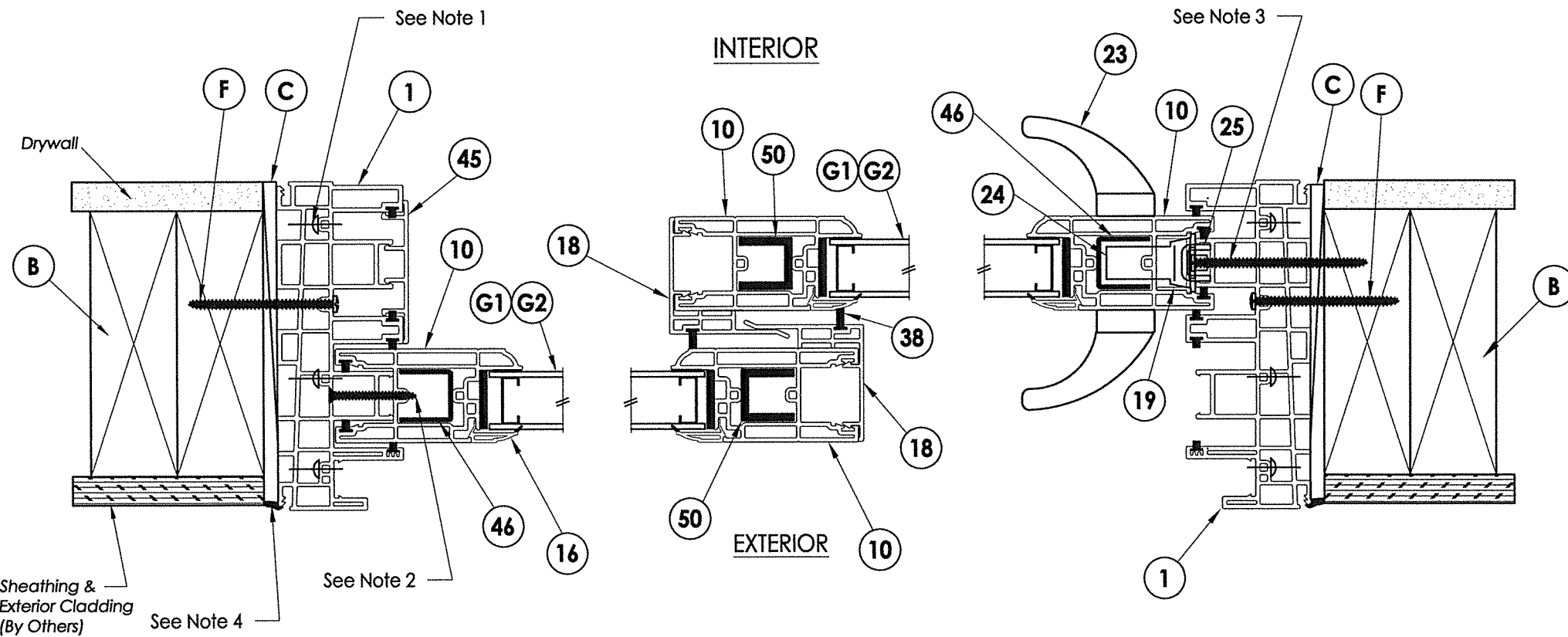
TX-5236

SHEET 1 OF 5

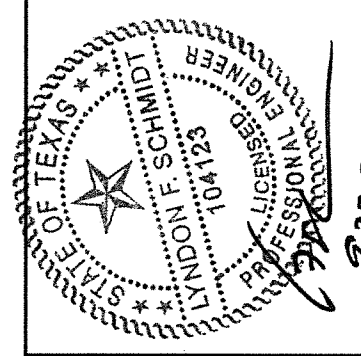


NOTES:

1. Frame corners fastened with (4) #8 x 3" PH SMS and contain a closed cell foam gasket. The frame intersections at the sill sealed with silicone sealant.
2. Fixed panel fastened to jamb with (5) #6 x 1-1/2" FH SMS evenly spaced.
3. Keeper fastened to jamb with (2) #8 x 3" PH SMS.
4. Exterior perimeter to be sealed with silicone sealant.



1
2 HORIZONTAL CROSS SECTION



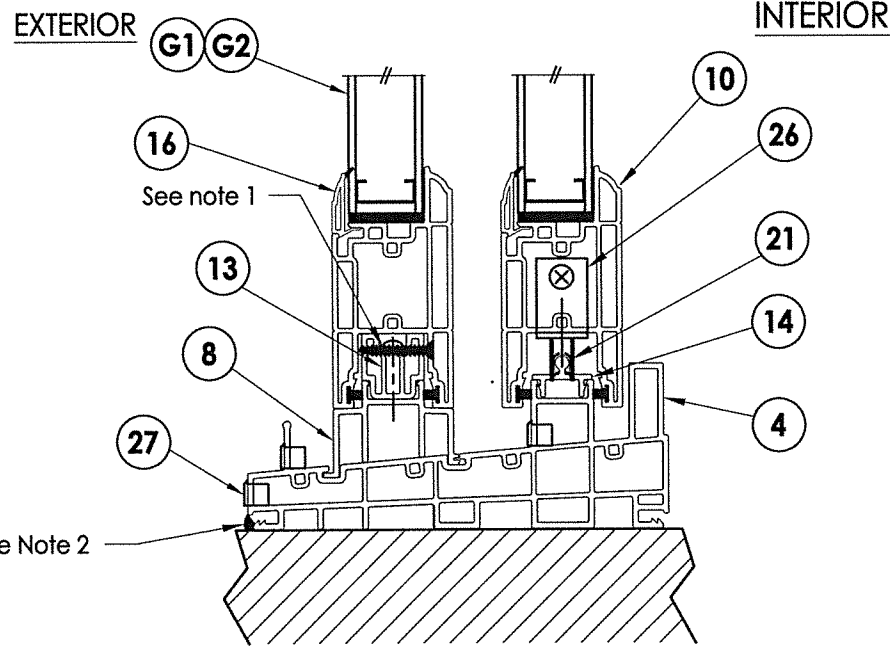
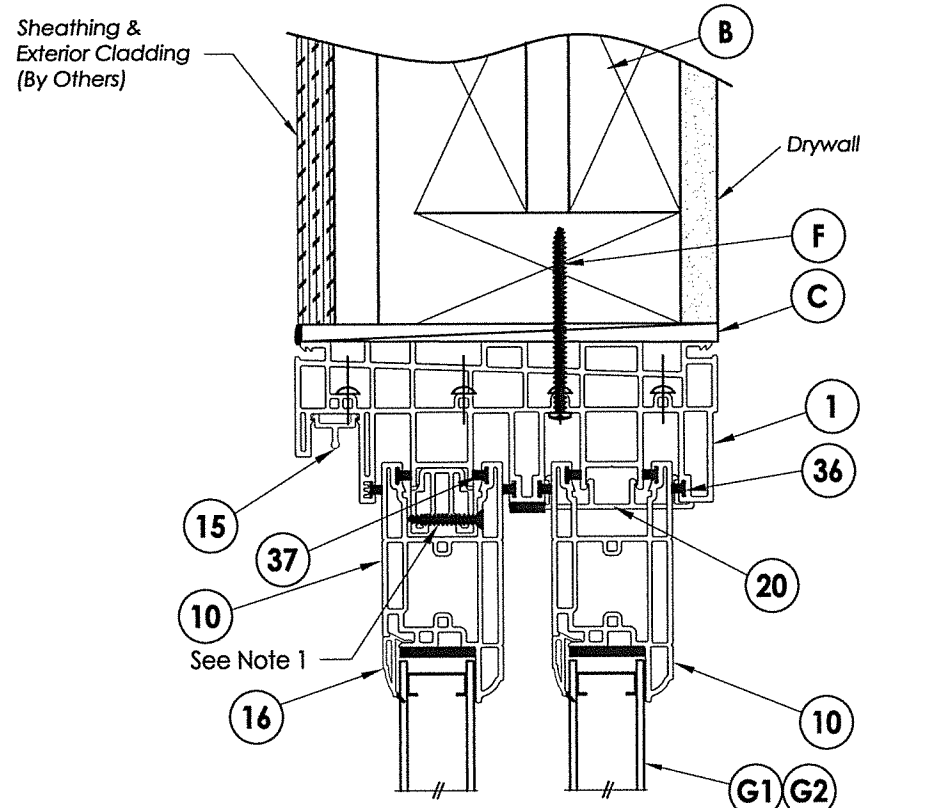
Documents Prepared By: Lyndon F. Schmidt, P.E.
TEXAS P.E. #104123

RW BUILDING CONSULTANTS, INC.
P.O. Box 230 Vellico FL 33595
Phone No.: 813.659.9197
TEXAS BOARD OF PROFESSIONAL ENGINEERS
CERTIFICATE OF REGISTRATION # F-11852

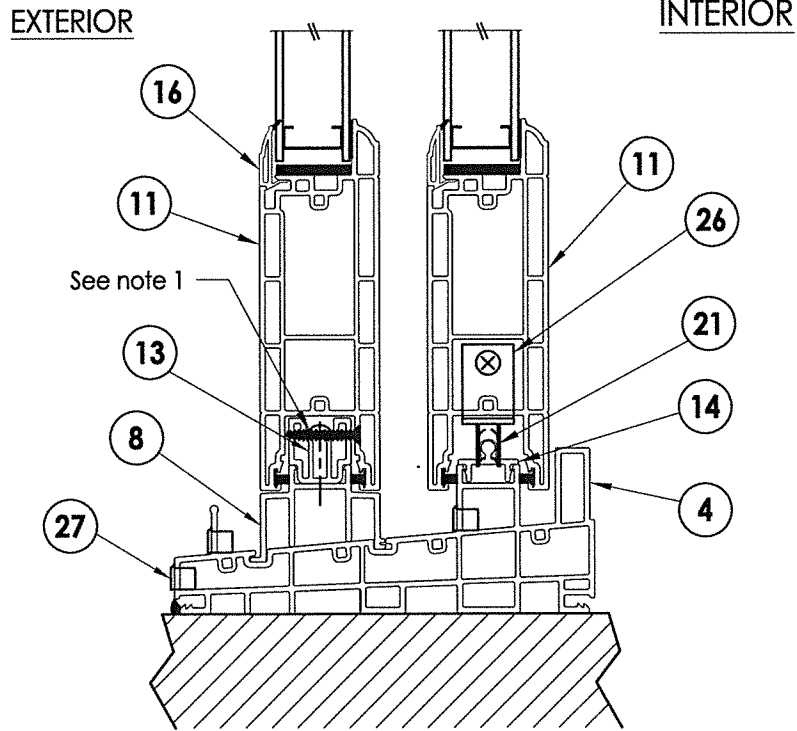
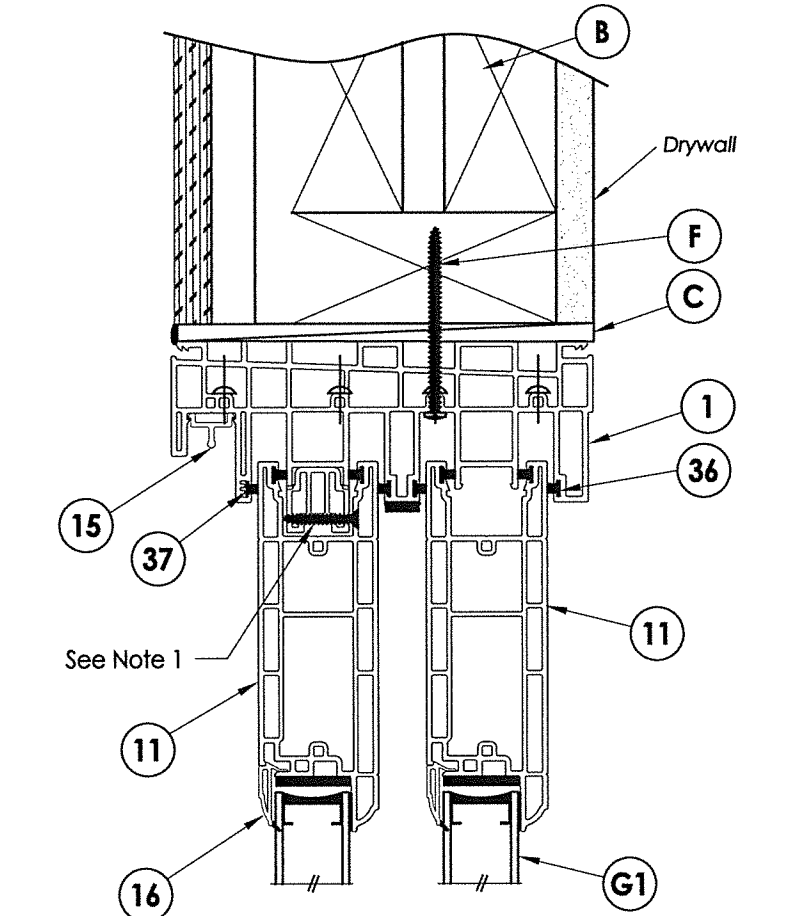
PRODUCT: EXTRUDED VINYL SLIDING PATIO DOORS	
PART OR ASSEMBLY: HORIZONTAL CROSS SECTIONS	
NO.	DATE
BY	REVISIONS
DATE: 9/21/21	
SCALE: N.T.S.	
DWG. BY: RW	
CHK. BY: LFS	
DRAWING NO.: TX-5236	
SHEET 2 OF 5	

Z:\Clients\Associated PERMANENT\B - Texas Dept of Ins\Sliding Glass Doors\WIN 644 6400 Sliding Patio Doors\C - Drawings\TX-5236-38.dwg

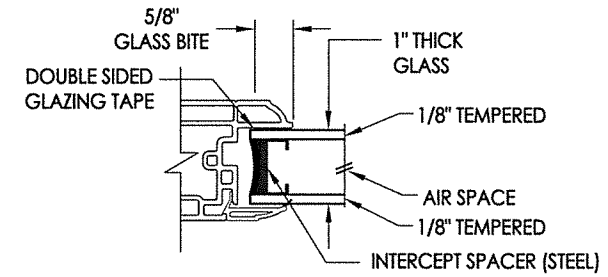
- NOTES:
 1. Fixed panel fastened to head & sill with (3) #8 x 1" FH SMS each.
 2. Exterior perimeter to be sealed and sill to be set in silicone sealant.



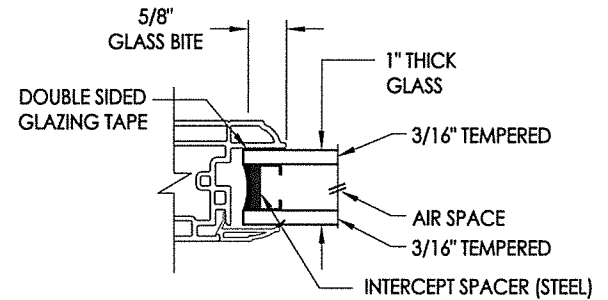
1 VERTICAL CROSS SECTION
3 3" SASH



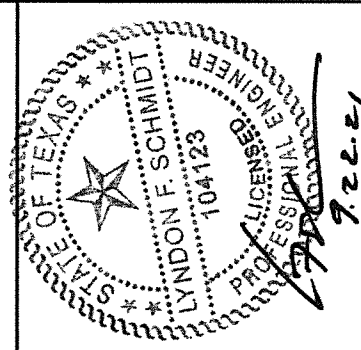
1 VERTICAL CROSS SECTION
3 5" SASH



G1 GLAZING DETAIL



G2 GLAZING DETAIL



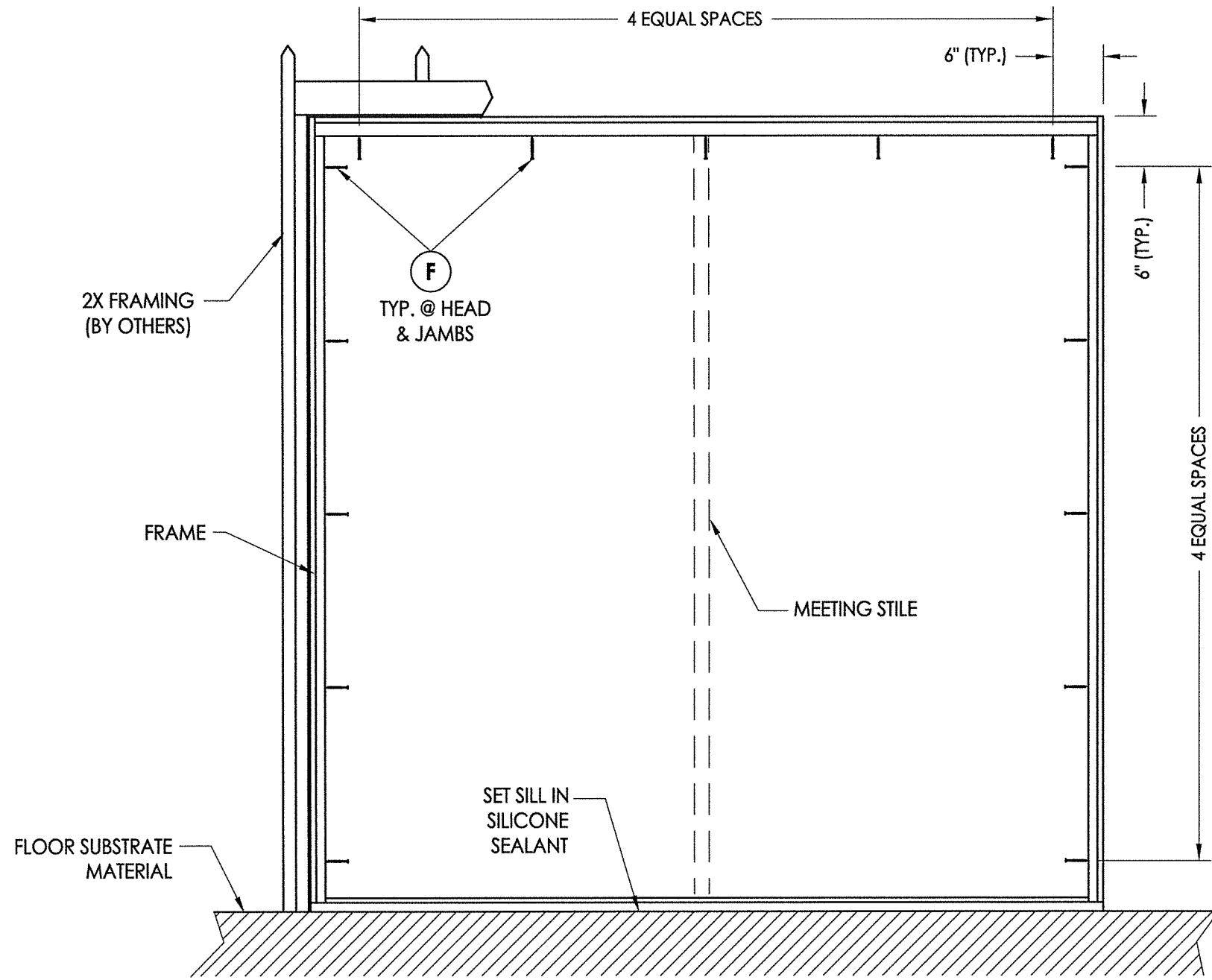
Documents Prepared By: Lyndon F. Schmidt, P.E.
 TEXAS P.E. #104123
RW BUILDING CONSULTANTS, INC.
 P.O. Box 230 Valrico FL 33595
 Phone No.: 813.659.9197
 TEXAS BOARD OF PROFESSIONAL ENGINEERS
 CERTIFICATE OF REGISTRATION # F-11852

PRODUCT: EXTRUDED VINYL SLIDING PATIO DOORS
 PART OR ASSEMBLY: VERTICAL CROSS SECTIONS AND GLAZING DETAILS

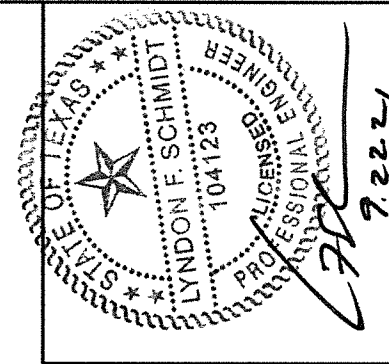
NO.	DATE	BY

DATE: 9/21/21
 SCALE: N.T.S.
 DWG. BY: RW
 CHK. BY: LFS
 DRAWING NO.: TX-5236
 SHEET 3 OF 5

© 2021 R.W. BUILDING CONSULTANTS INC.



FRAME ANCHORING



Documents Prepared By: Lyndon F. Schmidt, P.E.
 TEXAS P.E. #104123

RW BUILDING CONSULTANTS, INC.
 P.O. Box 230 Valrico FL 33595
 Phone No.: 813.659.9197

TEXAS BOARD OF PROFESSIONAL ENGINEERS
 CERTIFICATE OF REGISTRATION # F-11852

PRODUCT: EXTRUDED VINYL SLIDING PATIO DOORS

PART OR ASSEMBLY: FRAME ANCHORING

NO.	DATE	BY	REVISIONS

DATE: 9/21/21

SCALE: N.T.S.

DWG. BY: RW

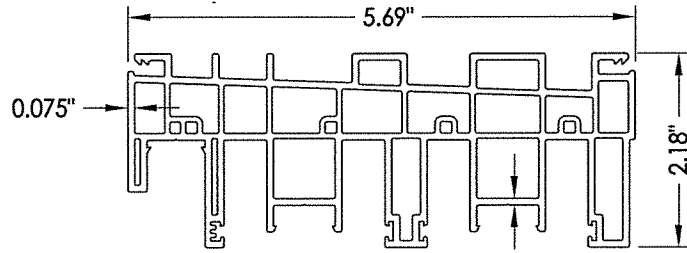
CHK. BY: LFS

DRAWING NO.: TX-5236

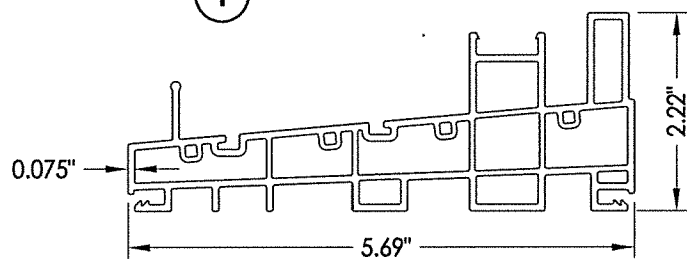
SHEET 4 OF 5

BILL OF MATERIALS		
ITEM #	DESCRIPTION	MATERIAL
B	2X BUCK (SG >= 0.42)	WOOD
C	1/4" MAX. SHIM SPACE	-
F	#8 X 2-1/2" PPH SMS (1-3/8" MIN. EMBEDMENT)	STEEL
G	#8 X 3" PFH WOOD SCREW	STEEL
L	#8 X 3" PH SHEET METAL SCREW	STEEL
1	FRAME - HEAD & SIDE JAMBS* - #UU0400	PVC
4	FRAME BOTTOM SILL* - #UU0401	PVC
8	FIXED PANEL SUPPORT* - #UU0409	PVC
10	3" FIXED & OPERABLE SASH* - #UU0402	PVC
11	5" FIXED & OPERABLE SASH* - #UU0403	PVC
13	SASH SUPPORT* - #UU0423	PVC
14	ROLLER TRACK *- #UU0406	PVC
15	SCREEN TRACK *- #UU0408	PVC
16	GLAZING BEAD* - #UU0410	PVC
17	INTERIOR INTERLOCK* - # UU0424	PVC
18	INTERIOR INTERLOCK* - # UU0405	PVC
19	LOCK STILE INSERT *- #UU0417	PVC
20	SASH STOP* - #UU0416	PVC
21	ROLLER TRACK CAP	SS
23	HANDLE SET - SIGNATURE TOP LOCK - #UU0244	-
24	2-POINT LOCK	-
25	KEEPER	-
26	ROLLER	NYLON
27	WEEP COVER*	PVC
36	FRAME WEATHERSTRIPPING - AMESBURY .187" X .240" G2 FIN PILE	-
37	FRAME WEATHERSTRIPPING - AMESBURY .187" X .240" G2 FIN PILE	-
38	INTERLOCK BULB SEAL - AMESBURY 91500	-
45	INTERIOR JAMB POCKET COVER* - # UU0416	PVC
46	JAMB STILE REINFORCEMENT - # UY0096	STEEL
50	INTERLOCK STILE REINFORCEMENT - # UY0098	STEEL
51	5" INTERLOCK STILE REINFORCEMENT - # UY0097	STEEL

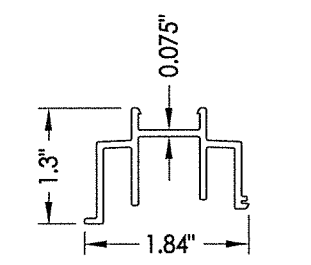
* THE APPROVED WHITE RIGID PVC EXTERIOR EXTRUSIONS FOR WINDOWS ARE TO BE PRODUCED BY EXTRUDERS LICENSEES IN "AAMA CERTIFICATION PROGRAMS FOR RIGID PVC EXTRUSIONS".



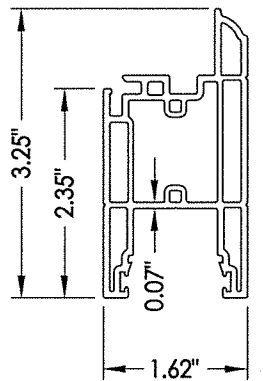
1 FRAME HEAD & JAMBS



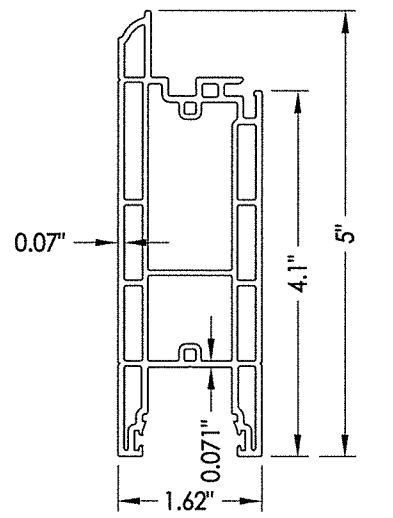
4 FRAME SILL



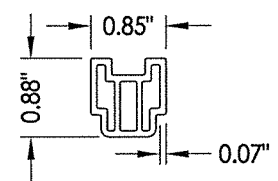
8 FIXED PANEL SUPPORT



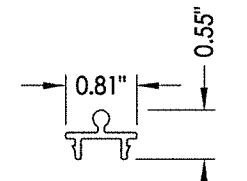
10 TOP RAIL, BOTTOM RAIL & STILE 3" SASH



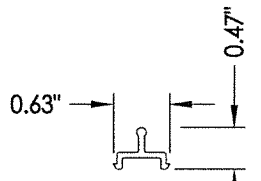
11 TOP RAIL, BOTTOM RAIL & STILE 5" SASH



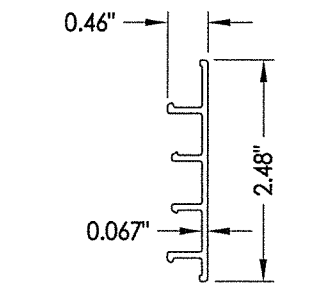
13 SASH SUPPORT



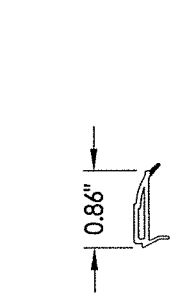
14 ROLLER TRACK



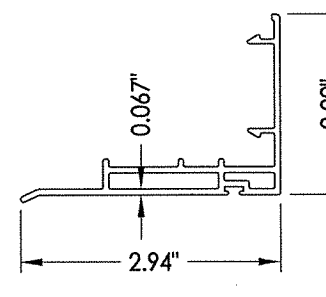
15 SCREEN TRACK



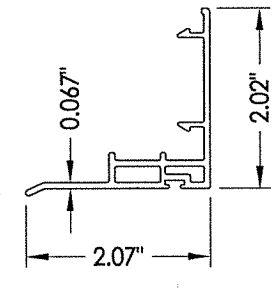
20 POCKET COVER & SASH STOP



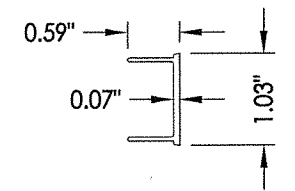
16 GLAZING BEAD



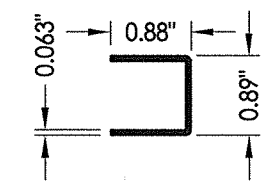
17 INTERLOCK 5" SASH



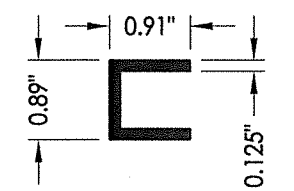
18 INTERLOCK 3" SASH



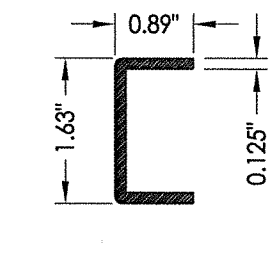
19 LOCK STILE INSERT



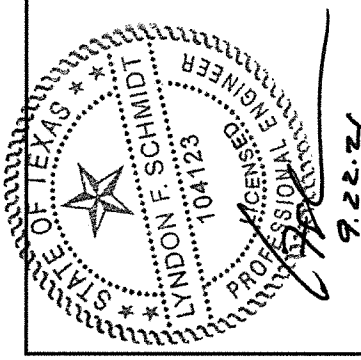
46 REINFORCEMENT JAMB STILE



50 REINFORCEMENT INTERLOCK



51 REINFORCEMENT INTERLOCK



Documents Prepared By: Lyndon F. Schmidt, P.E.
TEXAS P.E. #104123

RW BUILDING CONSULTANTS, INC.
P.O. Box 230 Valrico FL 33595
Phone No.: 813.659.9197

TEXAS BOARD OF PROFESSIONAL ENGINEERS
CERTIFICATE OF REGISTRATION # F-11852

PRODUCT: EXTRUDED VINYL SLIDING PATIO DOORS
PART OR ASSEMBLY: BILL OF MATERIALS & COMPONENTS

NO.	DATE	BY	REVISIONS

DATE: 9/21/21
SCALE: N.T.S.
DWG. BY: RW
CHK. BY: LFS
DRAWING NO.: TX-5236
SHEET 5 OF 5