

THERMA TRU® DOORS

Fiber-Classic® & Smooth-Star®

"VENTED" SIDELITES w/ OPAQUE FIBERGLASS DOOR IN SWING "NON-IMPACT"

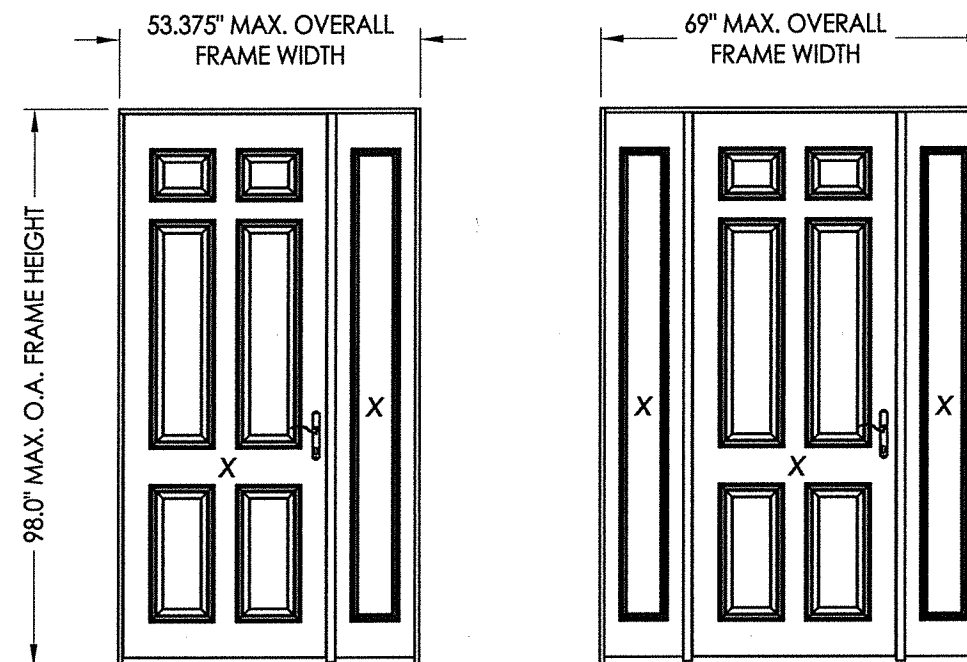
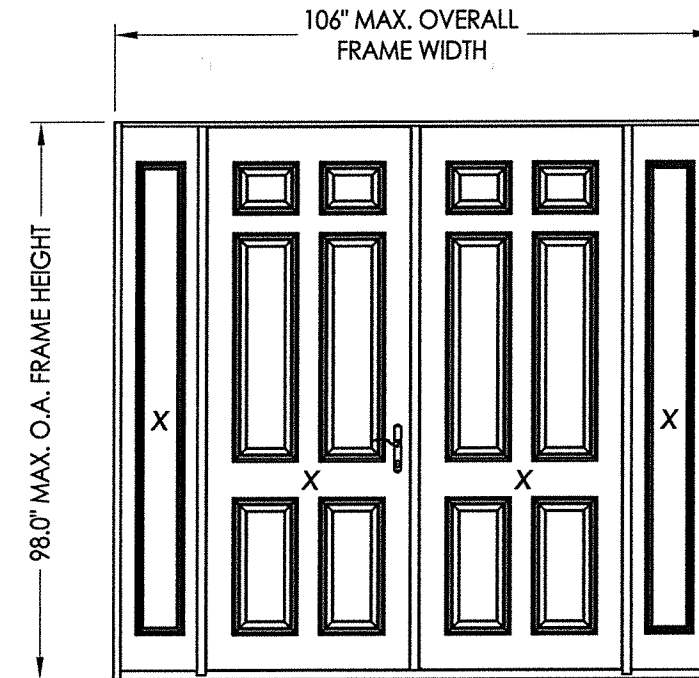
EVALUATED FOR USE IN THE STATE OF TEXAS

The Fiberglass Door system described herein complies with the 2018 International Residential Code (IRC), Sections R301 & R609 and the 2018 International Building Code (IBC), Sections 1404.13, 1609, 1709.5, 2403 and 2404 subject to the following conditions:

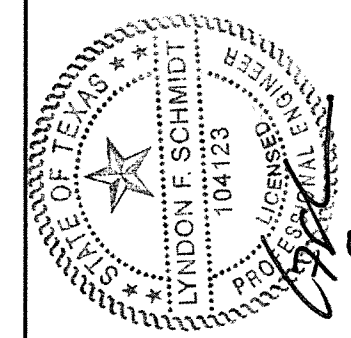
1. Anchors shall be as listed and spaced as shown in the details. Anchor embedment to base material shall be beyond wall dressing or stucco.
2. When used in areas requiring wind-borne debris protection this product is required to be protected with an impact resistant covering that complies with Section R301.2.1.2 of the IRC and Section 1609.1.2 of the IBC.
3. Allowable design pressure requirements must be equal to or less than the design pressure rating shown in the design pressure chart, sheet 1 of this drawing.
4. Conditions not covered by this drawing are subject to further engineering analysis.
5. Fiber-Classic and Smooth-Star Door and Sidelite panels require the use of "J" part numbers. These door and sidelite panels must be stained or painted within six months of installation.

TABLE OF CONTENTS

SHEET#	DESCRIPTION
1	Typical elevations, design pressures & general notes
2	Door panel details
3	Sidelite panel details and glazing details
4	Elevations
5	Horizontal cross sections
6	Vertical cross sections
7	Frame anchoring
8	Hardware details
9	Hardware strike details
10	Bill of materials and components



CONFIGURATION	MAX. FRAME DIMENSION	DESIGN PRESSURE (PSF) Multi-Point Door Lock		DESIGN PRESSURE (PSF) Lock & Deadbolt	
		POSITIVE	NEGATIVE	POSITIVE	NEGATIVE
		XX	53.375" x 98.0"	+65.0	-70.0
XXX	69.0" x 98.0"	+65.0	-70.0	+50.0	-50.0
XXXX	106.0" x 98.0"	+35.0	-35.0	N/A	N/A



Documents Prepared By: Lyndon F. Schmidt, P.E.
TEXAS P.E. #104123

RW
BUILDING CONSULTANTS, INC.
P.O. Box 230 Vairico FL 33595
Phone No.: 813.659.9197

TEXAS BOARD OF PROFESSIONAL ENGINEERS
CERTIFICATE OF REGISTRATION # F-11852

PRODUCT: THERMA-TRU

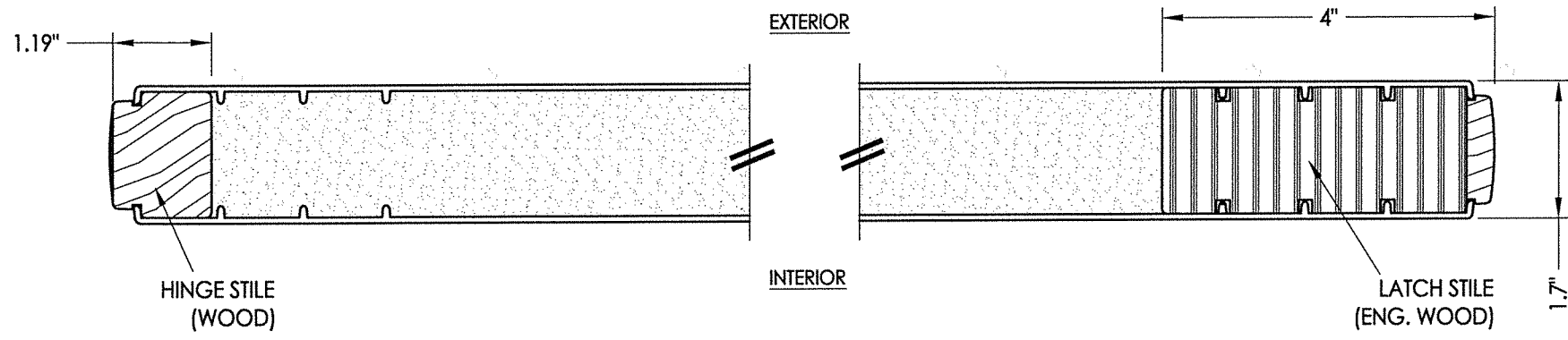
PART OR ASSEMBLY:

TYPICAL ELEVATION, DESIGN PRESSURES & GENERAL NOTES

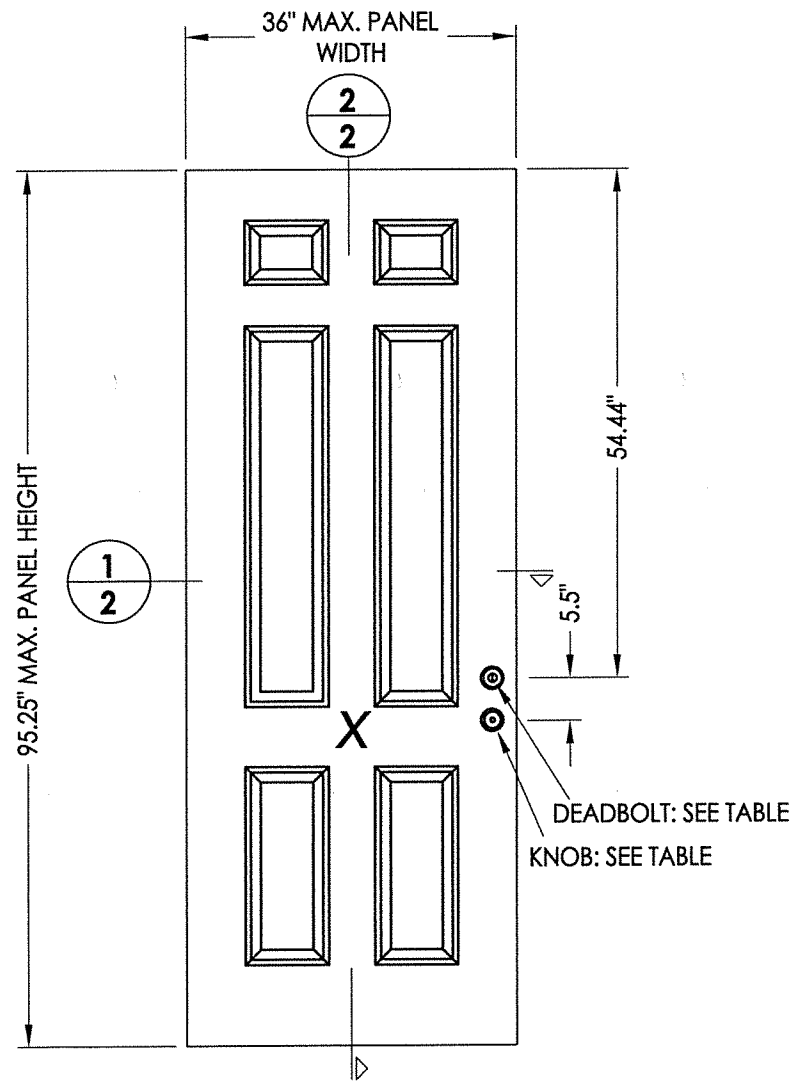
NO.	DATE	BY	REVISIONS
2	5/13/20	LFS	UPDATE TO 2018 IRC/IBC CODE
1	7/16/15	LFS	ADDED GENERAL NOTE 5.

DATE: 1/2/13
SCALE: N.T.S.
DWG. BY: JK
CHK. BY: LFS
DRAWING NO.: TX-4292
SHEET 1 OF 10

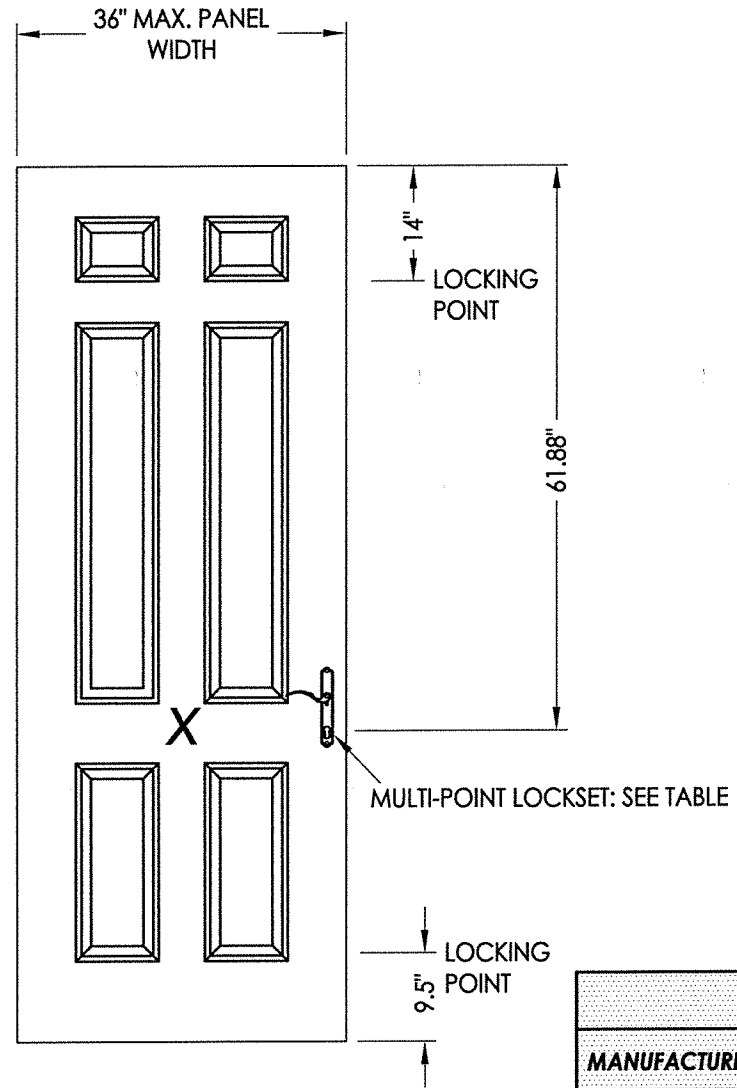
R:\Clients\Therma Tru PERMANENT\B - Texas Dept of Ins\TDDI - DR 642 - 68 - 80 Opaque SS FG NonImp IS Vented Sidelites\C - Drawings\TX-4292.dwg, 2.3



1
2 HORIZONTAL CROSS SECTION

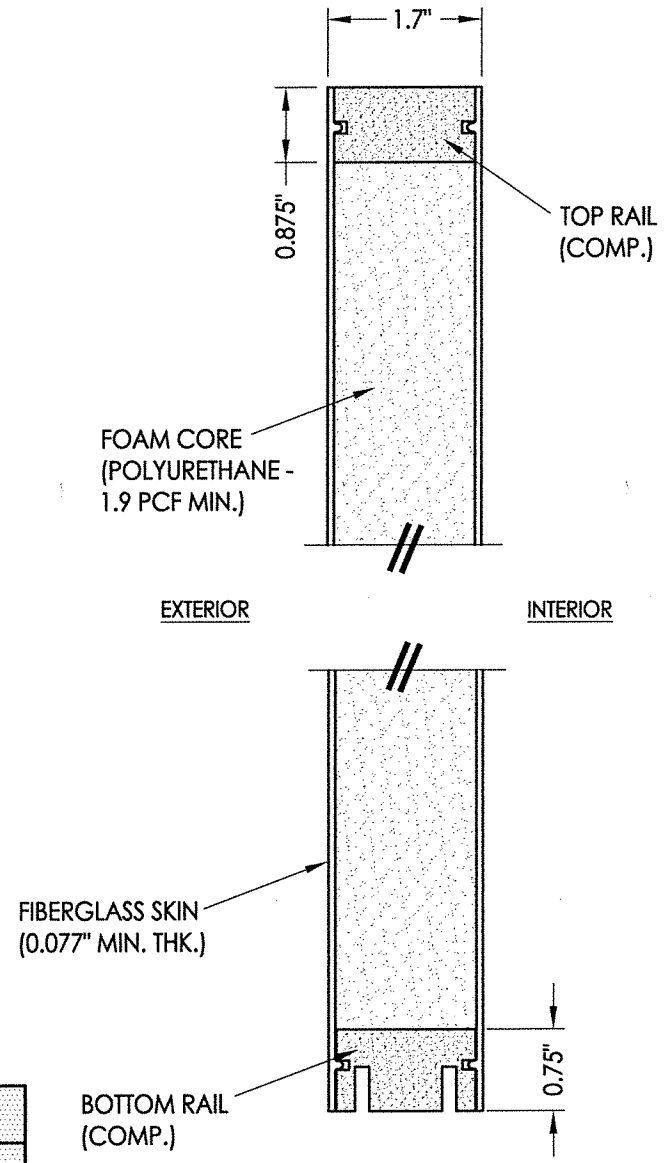


40 DOOR PANEL (SMOOTH STAR / FIBER CLASSIC)
Latch & Deadbolt

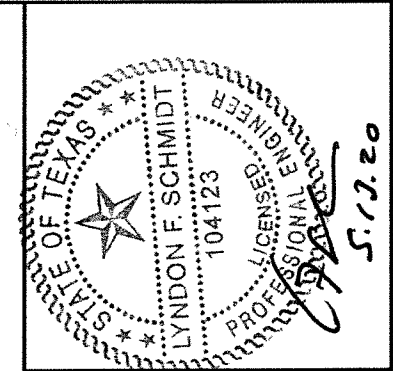


40 DOOR PANEL (SMOOTH STAR / FIBER CLASSIC)
Multi-point Lockset

HARDWARE TABLE	
MANUFACTURER	MODEL
KWIKSET	KNOB: SIGNATURE SERIES DEADBOLT: SIGNATURE SERIES (780)
HOPPE	MULTI-POINT: HLS 9000 SERIES



2
2 VERTICAL CROSS SECTION



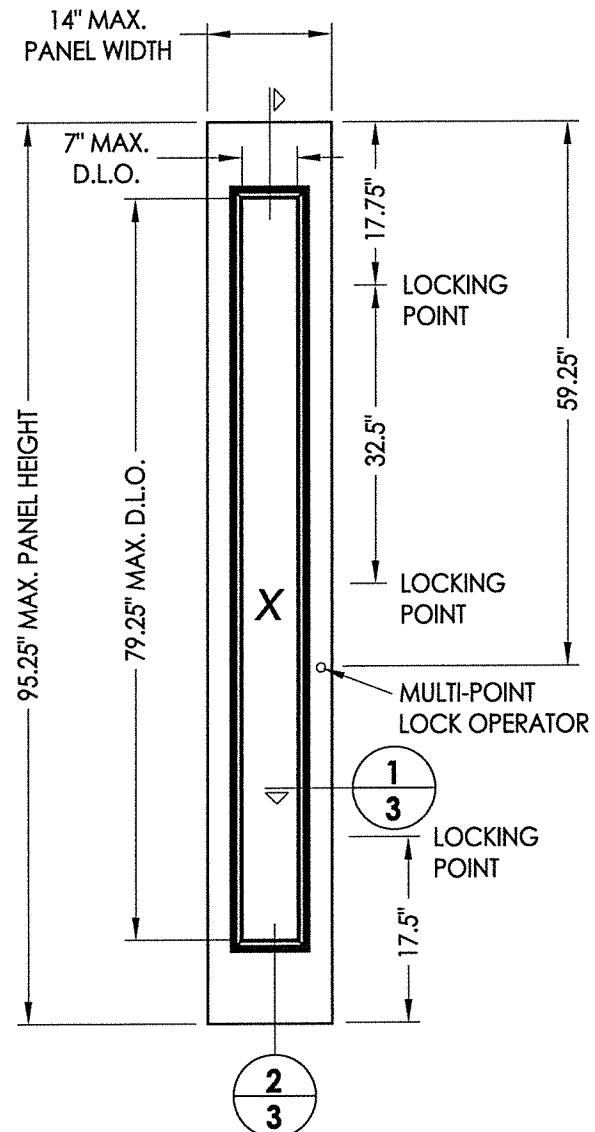
Documents Prepared By: Lyndon F. Schmidt, P.E.
TEXAS P.E. #104123

RW BUILDING CONSULTANTS, INC.
P.O. Box 230 Valrico FL 33595
Phone No.: 813.659.9197

TEXAS BOARD OF PROFESSIONAL ENGINEERS
CERTIFICATE OF REGISTRATION # F-11852

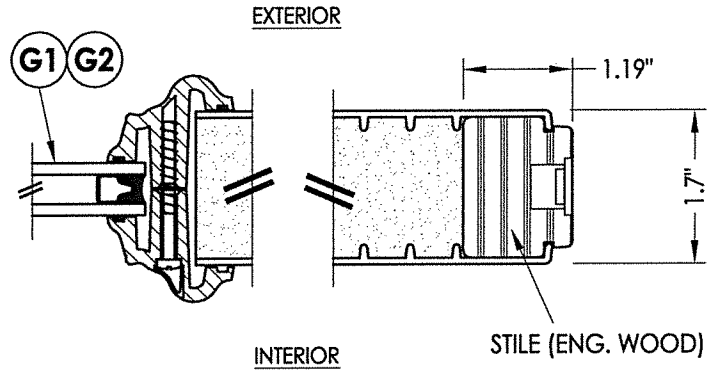
PRODUCT:	Therma-TRU
PART OR ASSEMBLY:	DOOR PANEL DETAILS
DATE:	1/2/13
SCALE:	N.T.S.
DWG. BY:	JK
CHK. BY:	LFS
DRAWING NO.:	TX-4292
SHEET	2 OF 10

© 2013 R.W. BUILDING CONSULTANTS INC.

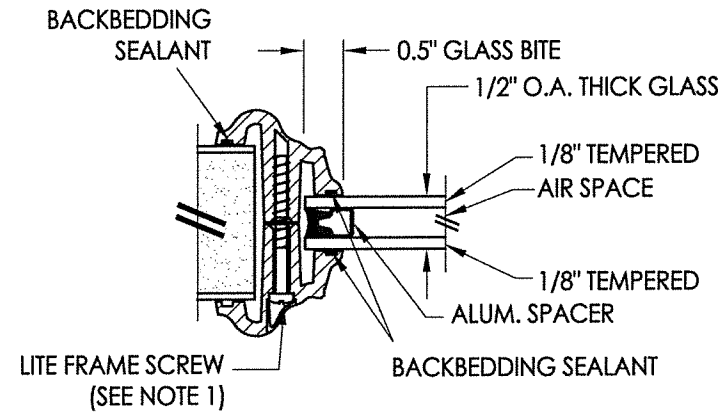


50 SIDELITE PANEL
VENTED

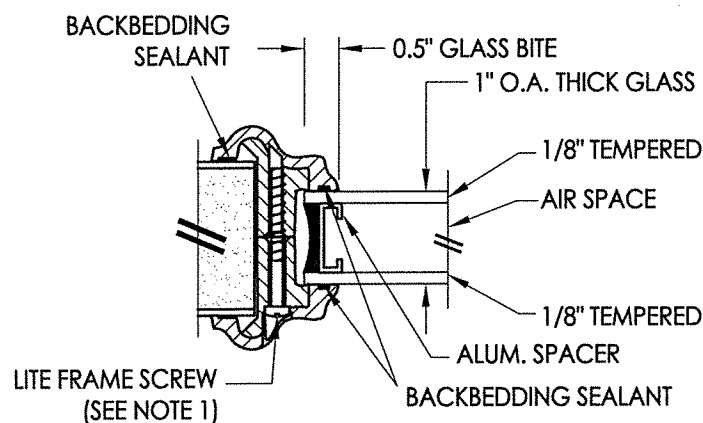
HARDWARE TABLE	
MANUFACTURER	MODEL
HOPPE	MULTI-POINT: OSL SERIES (Sidelite)



1 HORIZONTAL CROSS SECTION
3 Lip Lite Glazing

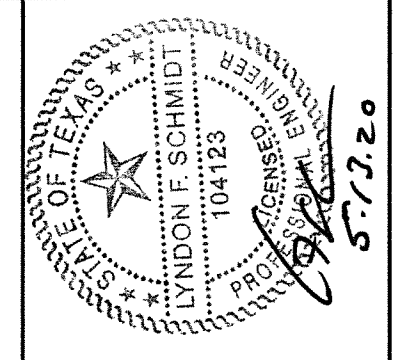


G1 GLAZING DETAIL (1/2\"/>



G2 GLAZING DETAIL (1\"/>

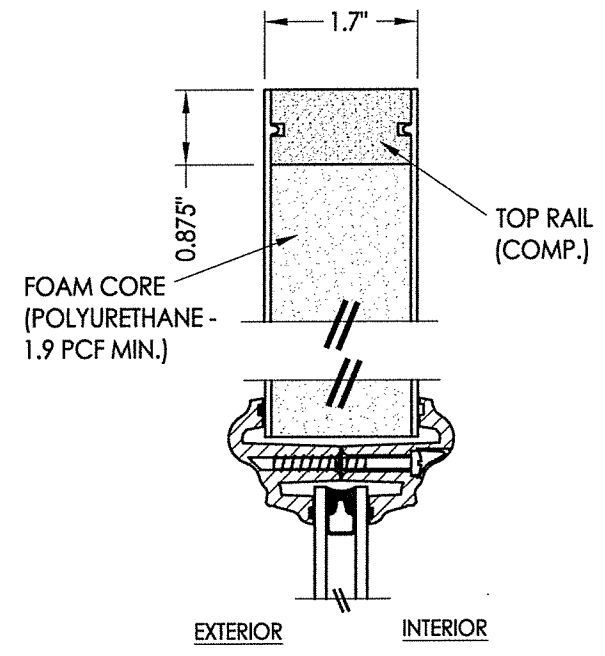
NOTE:
1. Lite frame screws (#8 x 1-1/2" PH SMS), 16 total per sidelite, evenly spaced.



Documents Prepared By: Lyndon F. Schmidt, P.E.
TEXAS P.E. #104123

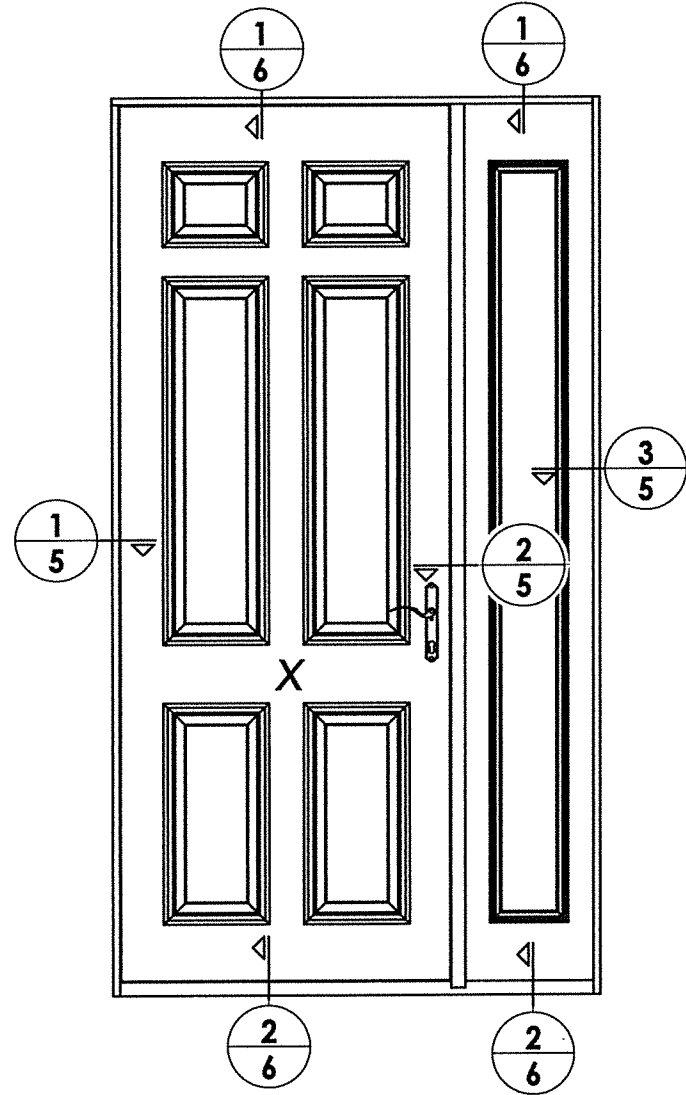
RW BUILDING CONSULTANTS, INC.
P.O. Box 230 Vairico FL 33595
Phone No.: 813.659.9197

TEXAS BOARD OF PROFESSIONAL ENGINEERS
CERTIFICATE OF REGISTRATION # F-11852

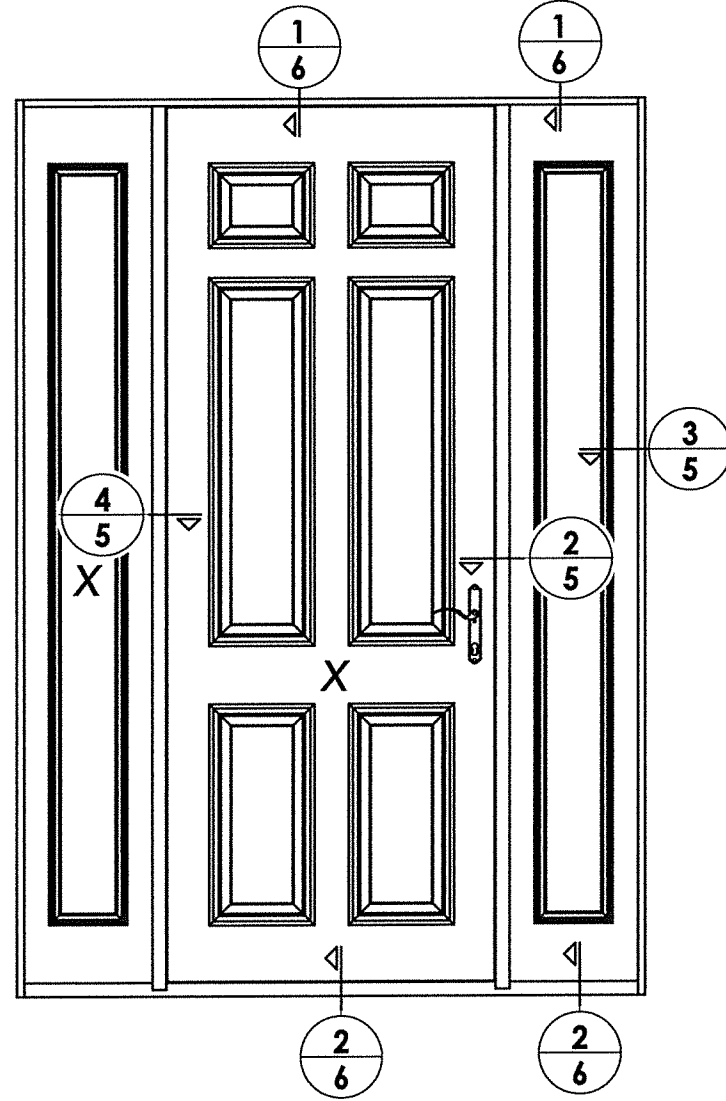


2 VERTICAL CROSS SECTION
3

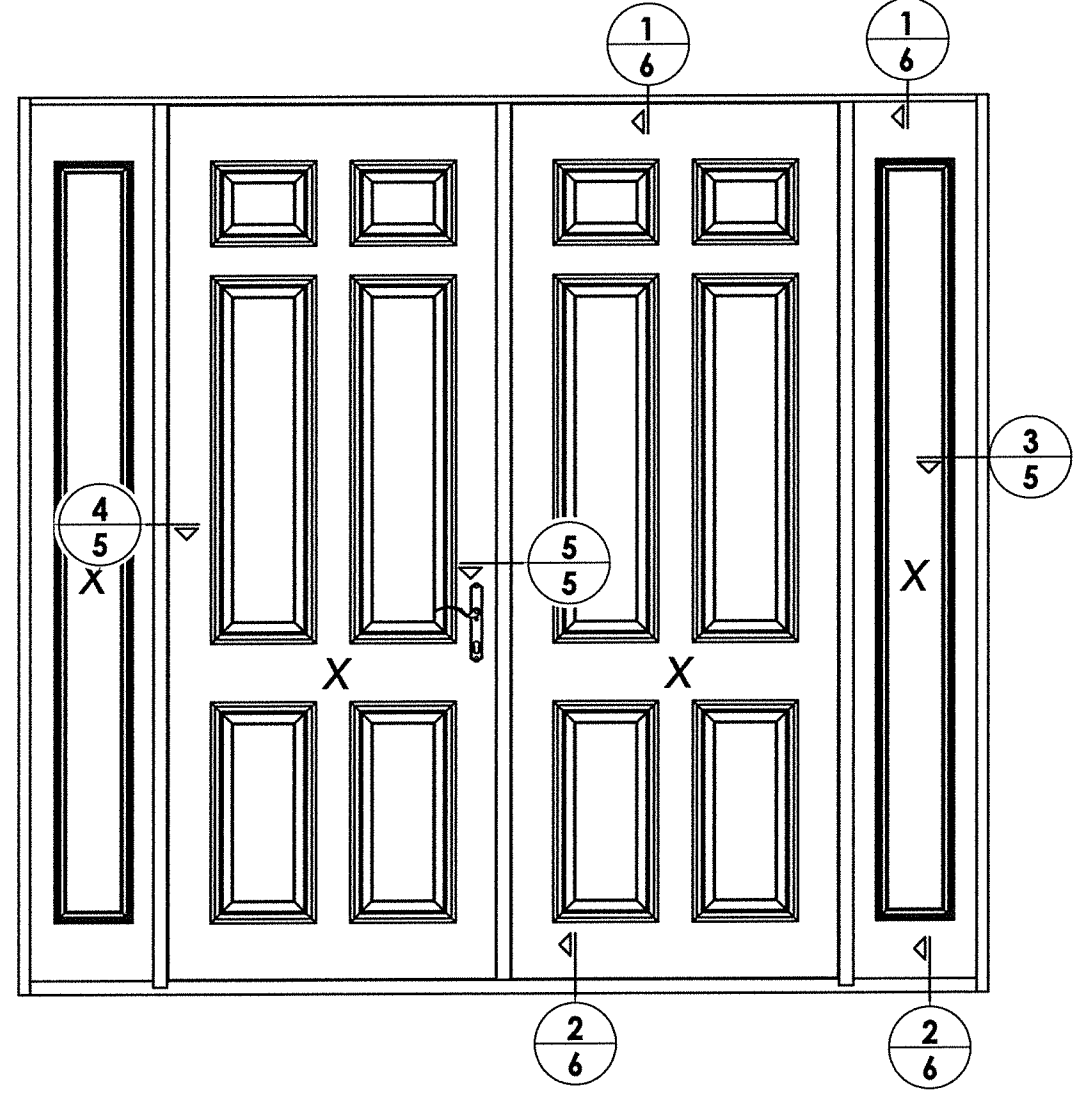
PRODUCT:	OTHER:	REVISIONS
THERMA-TRU		
PART OR ASSEMBLY:	LFS	BY
SIDELITE PANEL DETAILS & GLAZING DETAILS	UPDATE TO 2018 IBC/IRC CODE	
	7/16/15 ADDED GENERAL NOTE 5.	
NO.	DATE	
2	5/13/20	
1	7/16/15	
DATE:		1/2/13
SCALE:		N.T.S.
DWG. BY:		JK
CHK. BY:		LFS
DRAWING NO.:		TX-4292
SHEET		3 of 10



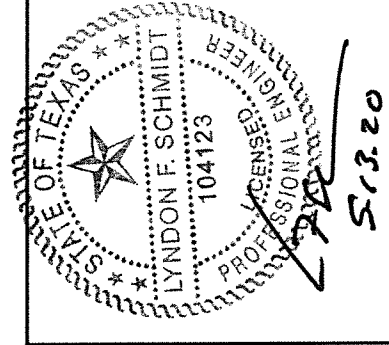
ELEVATION
XX



ELEVATION
XXX



ELEVATION
XXXX

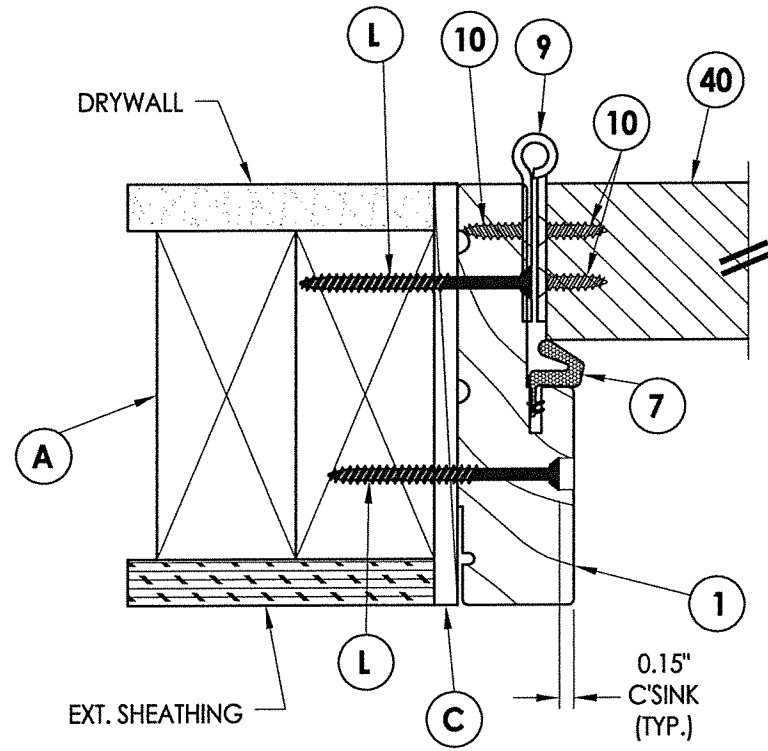


Documents Prepared By: Lyndon F. Schmidt, P.E.
TEXAS P.E. #104123

RW BUILDING CONSULTANTS, INC.
P.O. Box 230 Valrico FL 33595
Phone No.: 813.659.9197

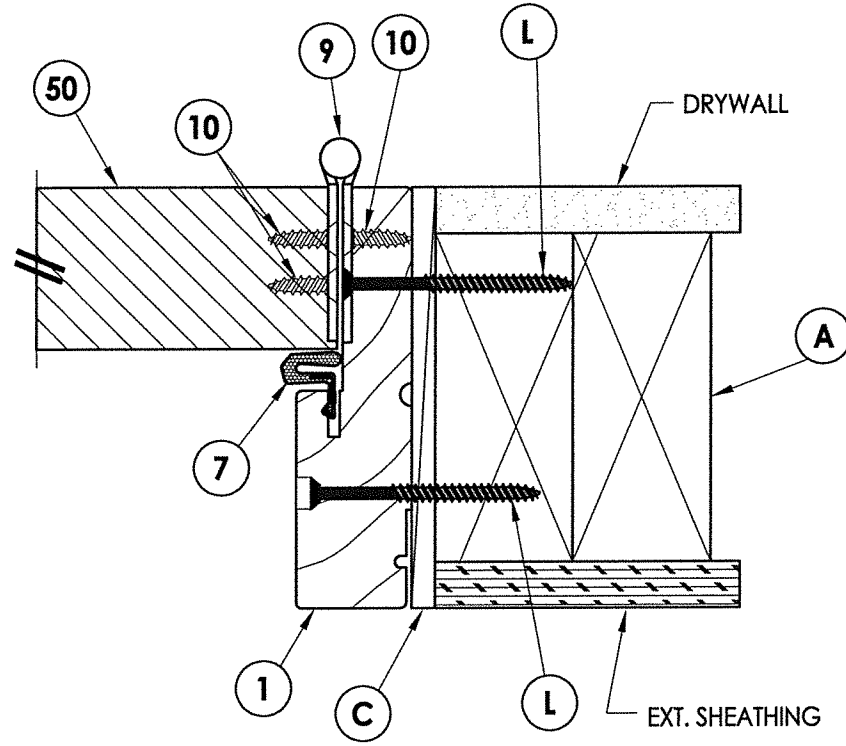
TEXAS BOARD OF PROFESSIONAL ENGINEERS
CERTIFICATE OF REGISTRATION # F-11852

PRODUCT: THERMA-TRU		PART OR ASSEMBLY: ELEVATIONS	
NO.	DATE	REVISIONS	BY
2	5/13/20	UPDATE TO 2018 IBC/IRC CODE	LFS
1	7/16/15	ADDED GENERAL NOTE 5.	LFS
DATE: 1/2/13		SCALE: N.T.S.	
DWG. BY: JK		CHK. BY: LFS	
DRAWING NO.: TX-4292		SHEET 4 OF 10	



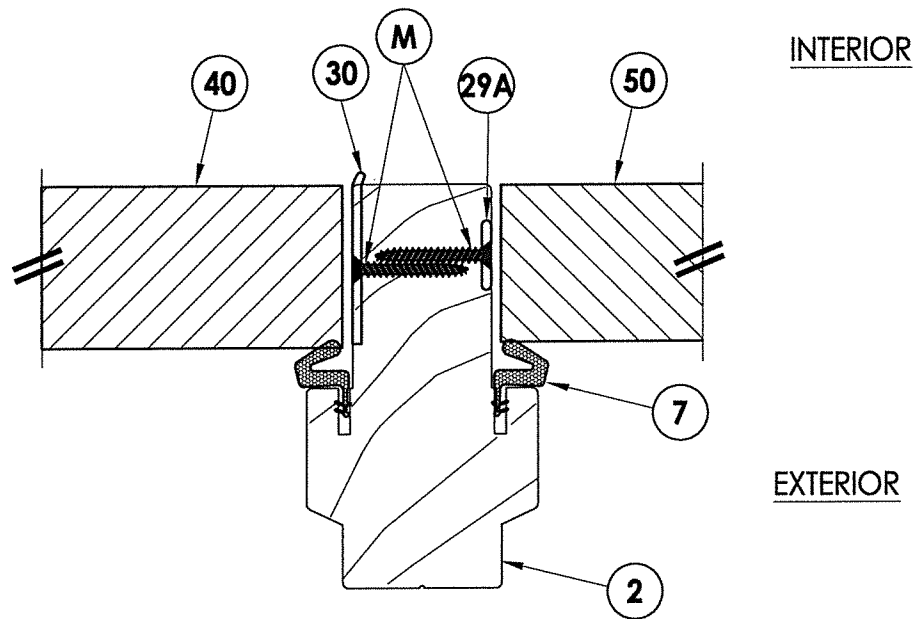
1 HORIZONTAL CROSS SECTION
5

INTERIOR



3 HORIZONTAL CROSS SECTION
5

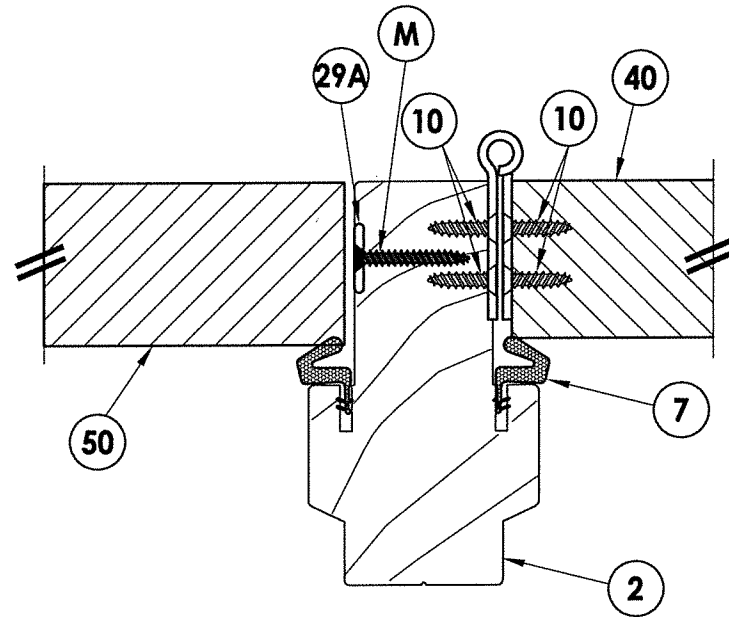
EXTERIOR



2 HORIZONTAL CROSS SECTION
5

INTERIOR

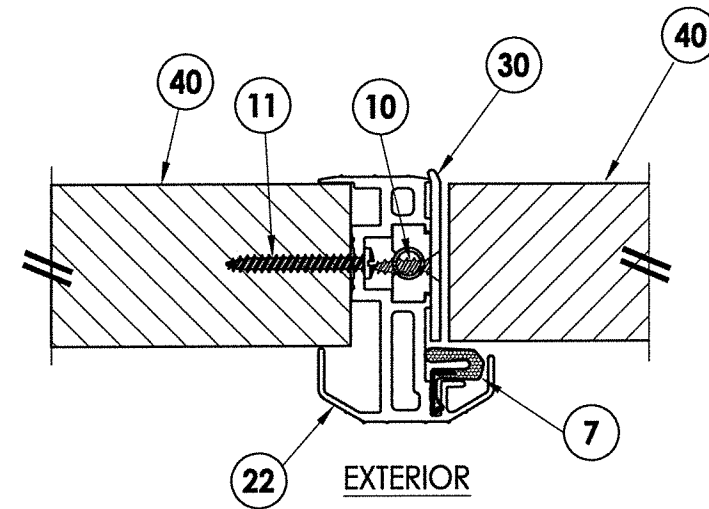
EXTERIOR



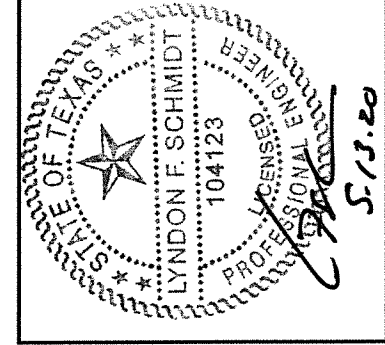
4 HORIZONTAL CROSS SECTION
5

INTERIOR

EXTERIOR



5 HORIZONTAL CROSS SECTION
5



Documents Prepared By: Lyndon F. Schmidt, P.E.
TEXAS P.E. #104123

RW BUILDING CONSULTANTS, INC.
P.O. Box 230 Vairico FL 33595
Phone No.: 813.659.9197
TEXAS BOARD OF PROFESSIONAL ENGINEERS
CERTIFICATE OF REGISTRATION # F-11852

PRODUCT: THERMA-TRU

PART OR ASSEMBLY:
HORIZONTAL CROSS SECTIONS

NO.	DATE	REVISIONS
2	5/13/20	UPDATE TO 2018 IBC/IRC CODE
1	7/16/15	ADDED GENERAL NOTE 5.
		LFS
		BY

DATE: 1/2/13

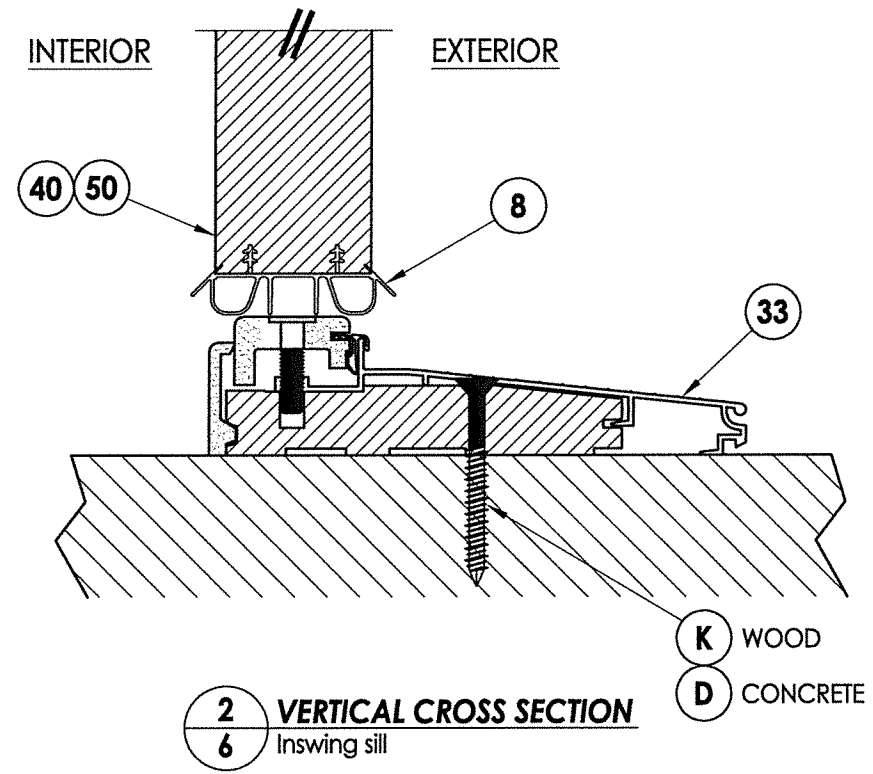
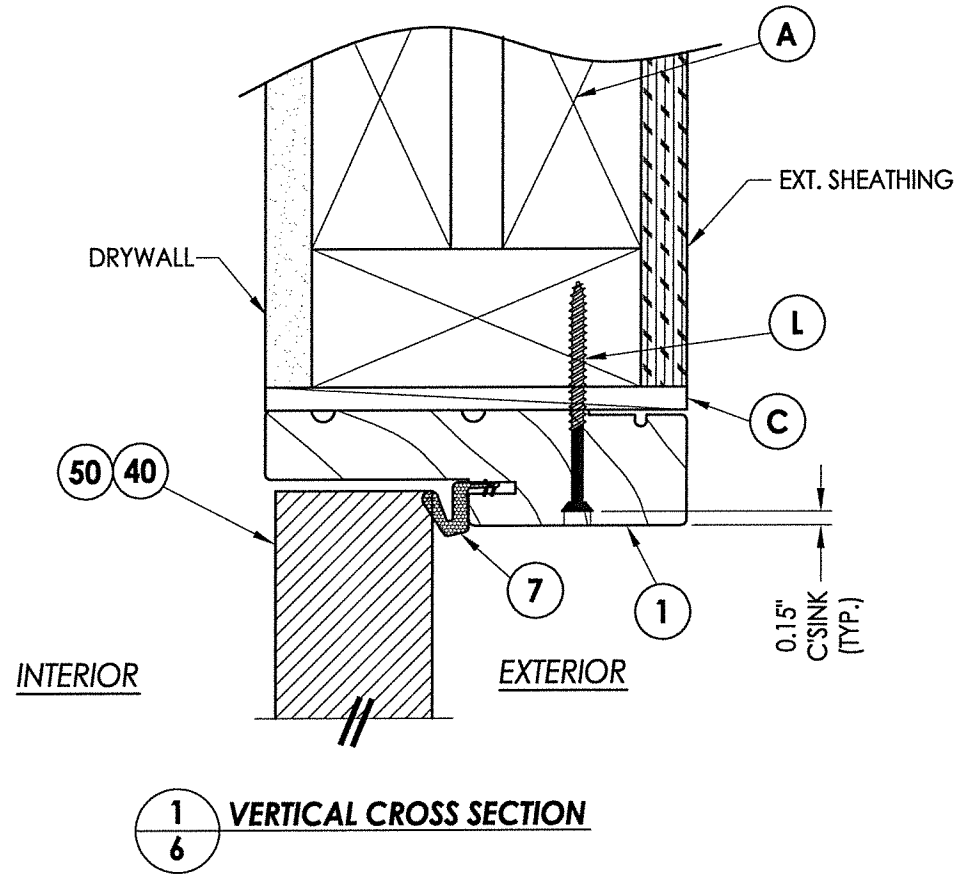
SCALE: N.T.S.

DWG. BY: JK

CHK. BY: LFS

DRAWING NO.: TX-4292

SHEET 5 of 10



Documents Prepared By: Lyndon F. Schmidt, P.E.
TEXAS P.E. #104123

RW BUILDING CONSULTANTS, INC.
P.O. Box 230 Valrico FL 33595
Phone No.: 813.659.9197

TEXAS BOARD OF PROFESSIONAL ENGINEERS
CERTIFICATE OF REGISTRATION # F-11852

PRODUCT: THERMA-TRU

PART OR ASSEMBLY: VERTICAL CROSS SECTIONS

NO.	DATE	BY	REVISIONS
2	5/13/20	LFS	UPDATE TO 2018 IBC/IRC CODE
1	7/16/15	LFS	ADDED GENERAL NOTE 5.

DATE: 1/2/13

SCALE: N.T.S.

DWG. BY: JK

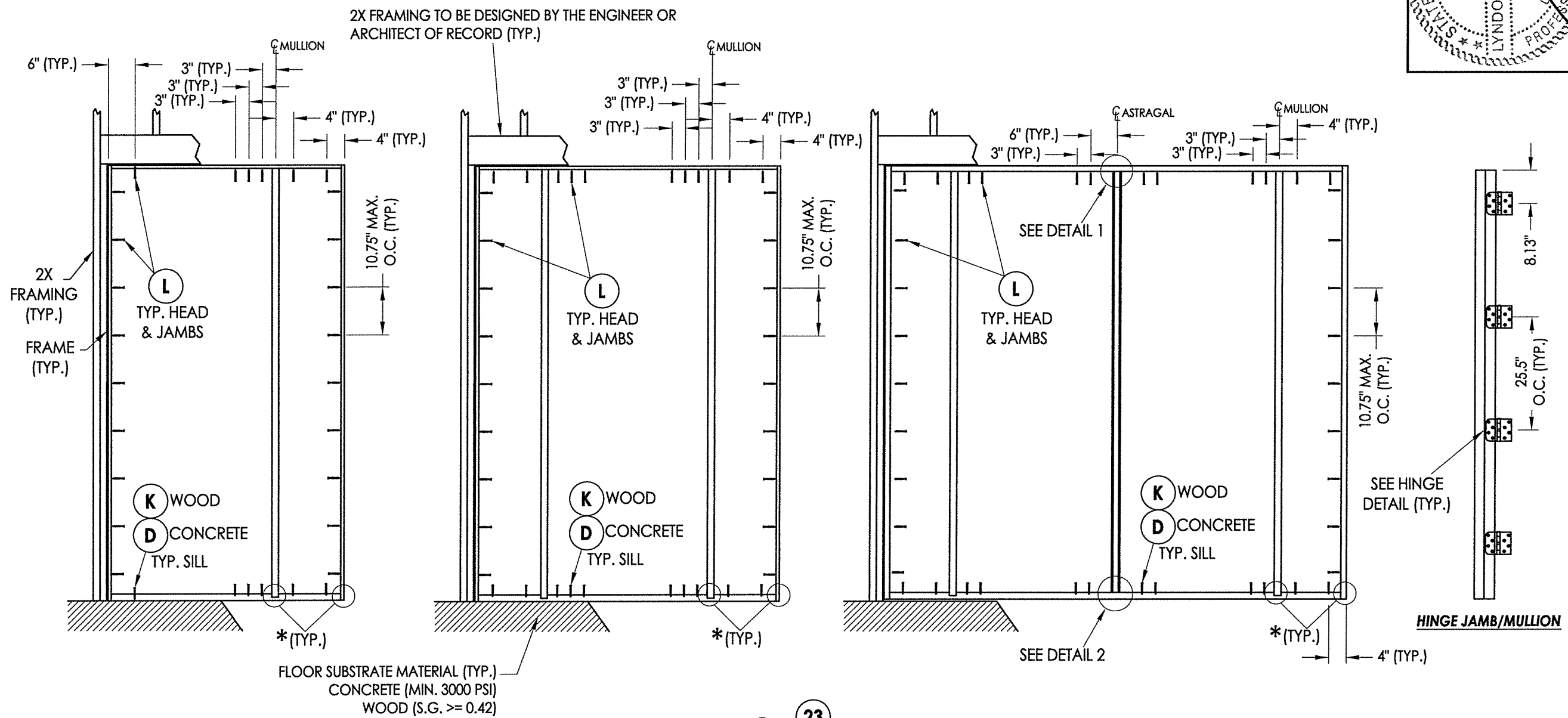
CHK. BY: LFS

DRAWING NO.: TX-4292

SHEET 6 OF 10

R:\Clients\Therma Tru PERMANENT\B - Texas Dept of Ins\TDI - DR 642 - 68 - 80 Opaque SS FG NonImp IS Vented Sidelites\C - Drawings\TX-4292.dwg, 7.3

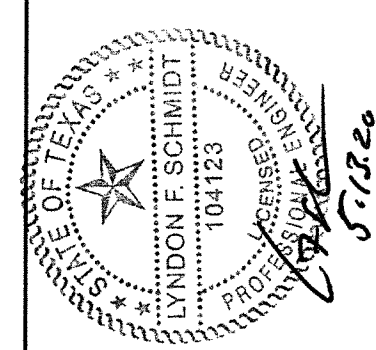
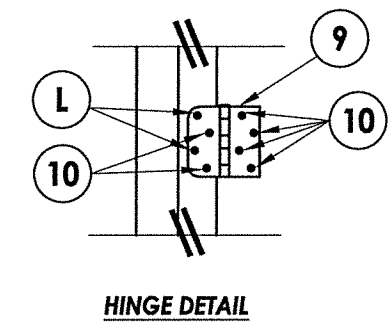
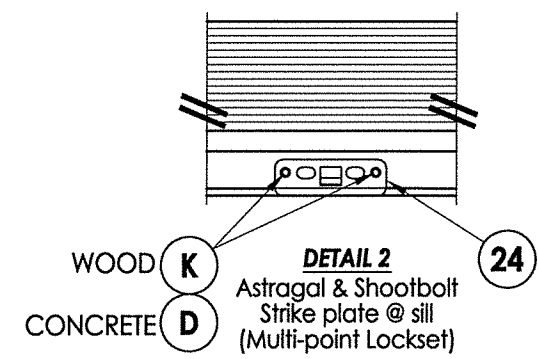
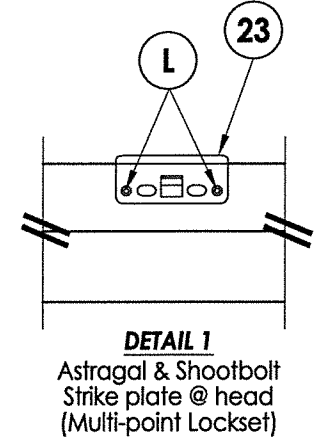
* The frame jambs and vertical mullions are secured to the head and sill with (3) #8 x 2-1/2" wood screws each.



CONCRETE ANCHOR NOTES:

1. Concrete anchor locations at the corners may be adjusted to maintain the min. edge distance to mortar joints.
2. Concrete anchor locations noted as "MAX. ON CENTER" must be adjusted to maintain the min. edge distance to mortar joints, additional concrete anchors may be required to ensure the "MAX. ON CENTER" dimension are not exceeded.
3. Concrete anchor table:

ANCHOR TYPE	ANCHOR SIZE	MIN. EMBEDMENT	MIN. CLEARANCE TO MASONRY EDGE	MIN. CLEARANCE TO ADJACENT ANCHOR
ITW TAPCON®	1/4"	1-3/4"	2-1/2"	3"
ELCO ULTRACON®	1/4"	1-3/4"	1"	3"



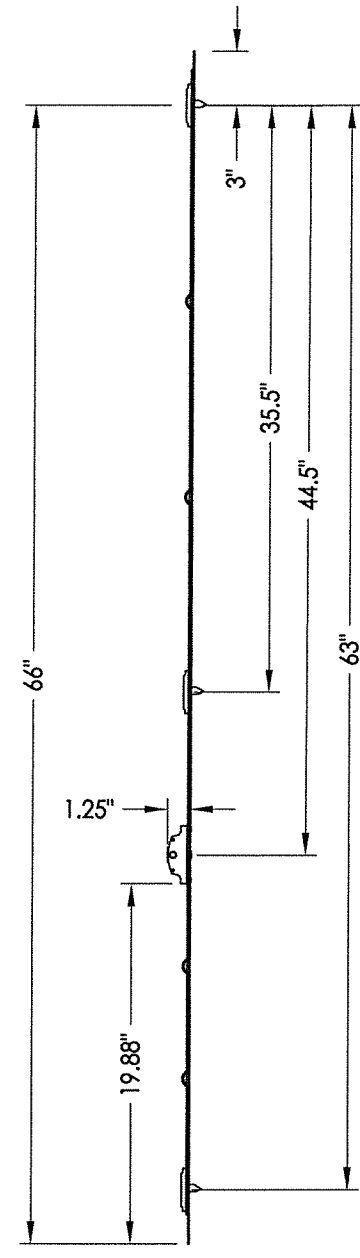
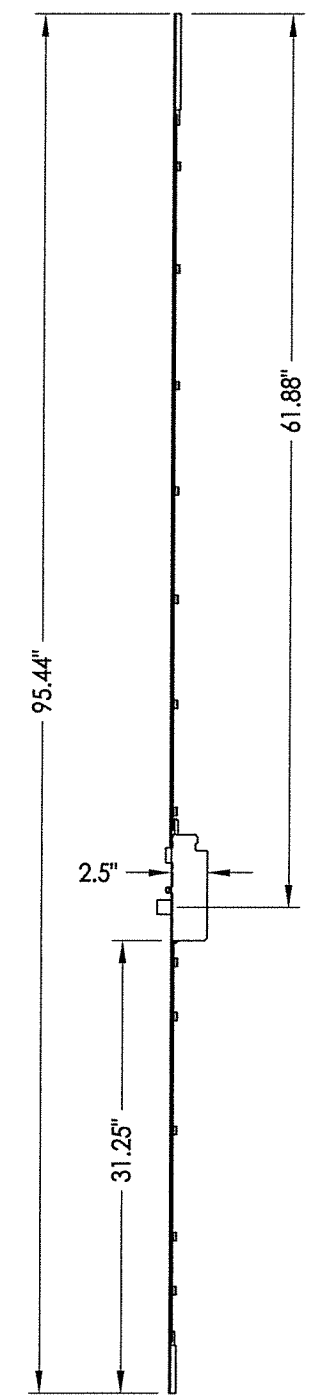
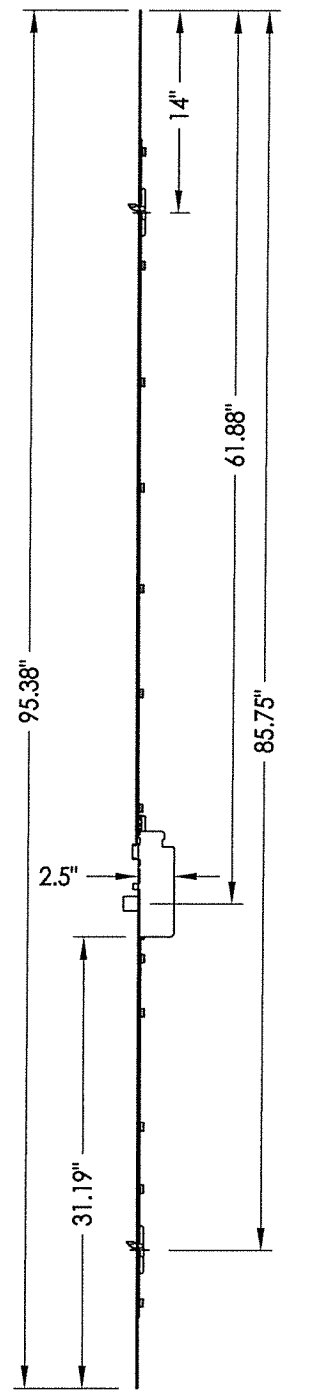
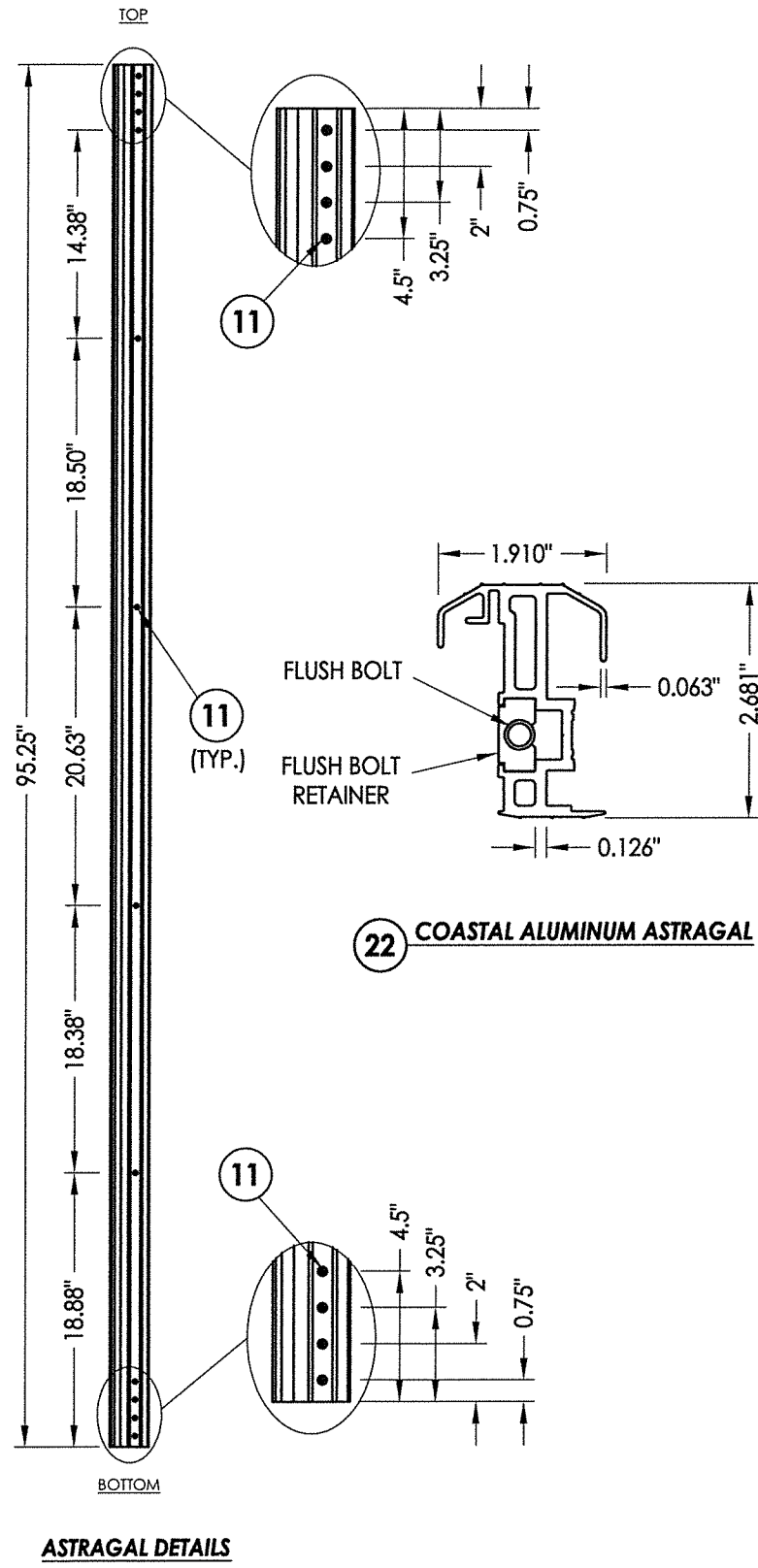
Documents Prepared By: Lyndon F. Schmidt, P.E.
TEXAS P.E. #104123

RW BUILDING CONSULTANTS, INC.
P.O. Box 230 Valrico FL 33595
Phone No.: 813.659.9197

TEXAS BOARD OF PROFESSIONAL ENGINEERS
CERTIFICATE OF REGISTRATION # F-11852

PRODUCT:	THERMA-TRU
PART OR ASSEMBLY:	FRAME ANCHORING
DATE:	1/2/13
SCALE:	N.T.S.
DWG. BY:	JK
CHK. BY:	LFS
DRAWING NO.:	TX-4292
SHEET	7 OF 10

© 2013 R.W. BUILDING CONSULTANTS INC.



HOPPE MULTI-POINT LOCK SYSTEMS

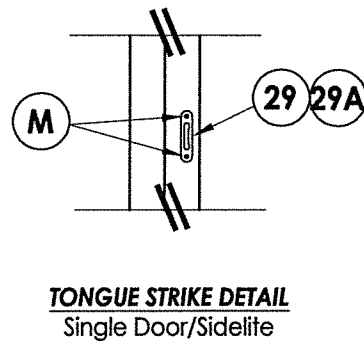


Documents Prepared By: Lyndon F. Schmidt, P.E.
 TEXAS P.E. #104123

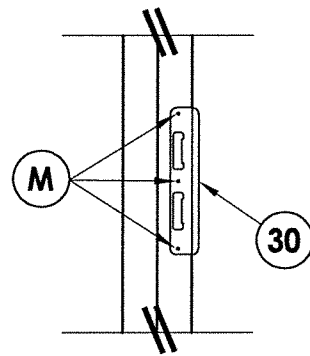
RW BUILDING CONSULTANTS, INC.
 P.O. Box 230 Valrico FL 33595
 Phone No.: 813.659.9197

TEXAS BOARD OF PROFESSIONAL ENGINEERS
 CERTIFICATE OF REGISTRATION # F-11852

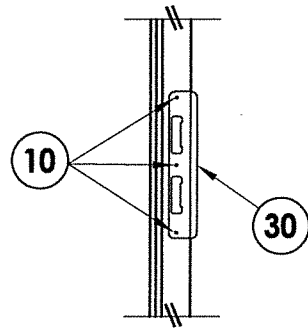
PRODUCT: THERMA TRU	
PART OR ASSEMBLY: HARDWARE DETAILS	
NO.	DATE
2	5/13/20
1	7/16/15
REVISIONS	
DATE:	1/2/13
SCALE:	N.T.S.
DWG. BY:	JK
CHK. BY:	LFS
DRAWING NO.:	TX-4292
SHEET	8 OF 10



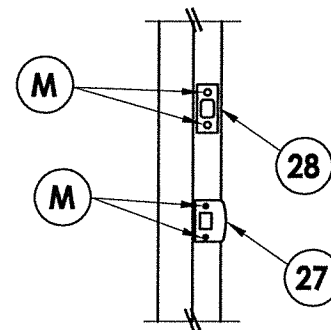
TONGUE STRIKE DETAIL
Single Door/Sidelite



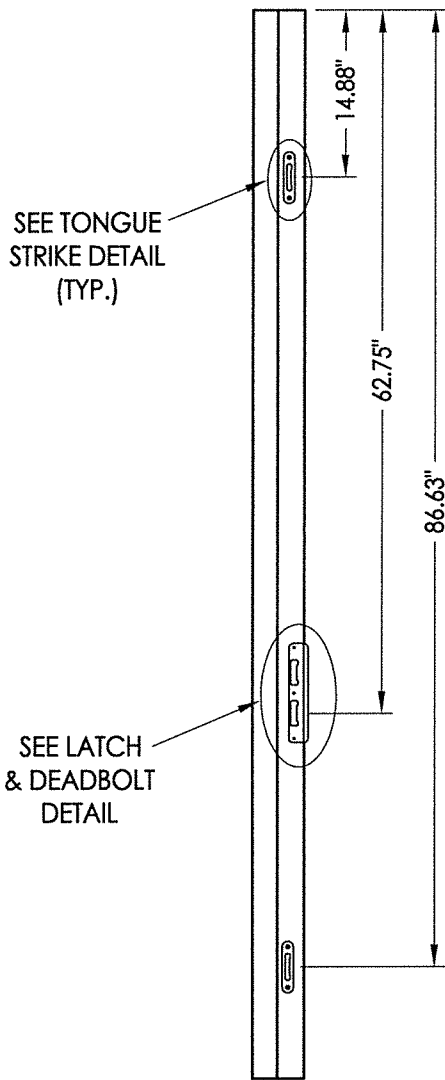
LATCH & DEADBOLT DETAIL
Single Door



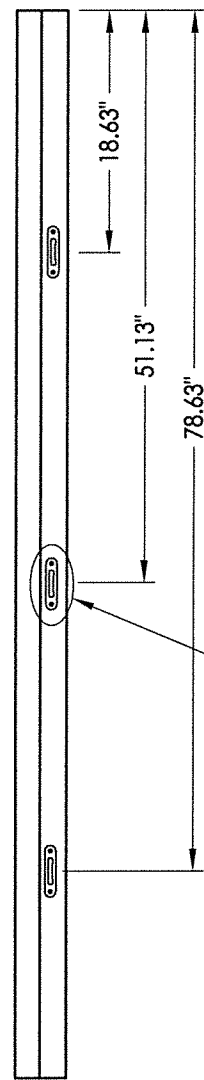
LATCH & DEADBOLT DETAIL
Double Door



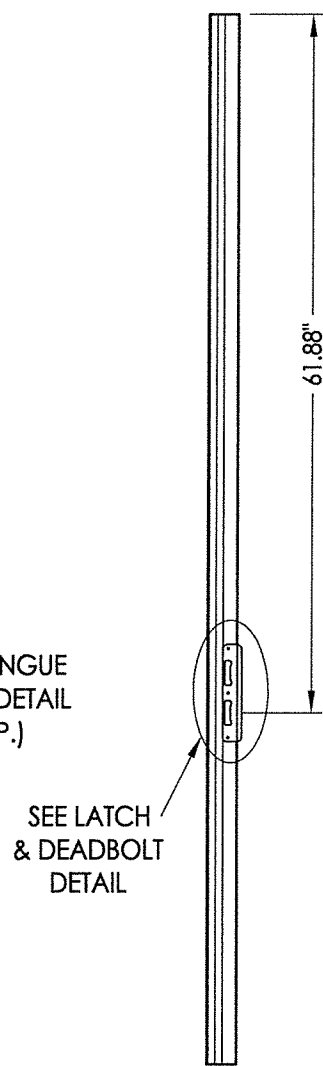
LATCH & DEADBOLT DETAIL
Single Door



STRIKE JAMB / MULLION
Single Door

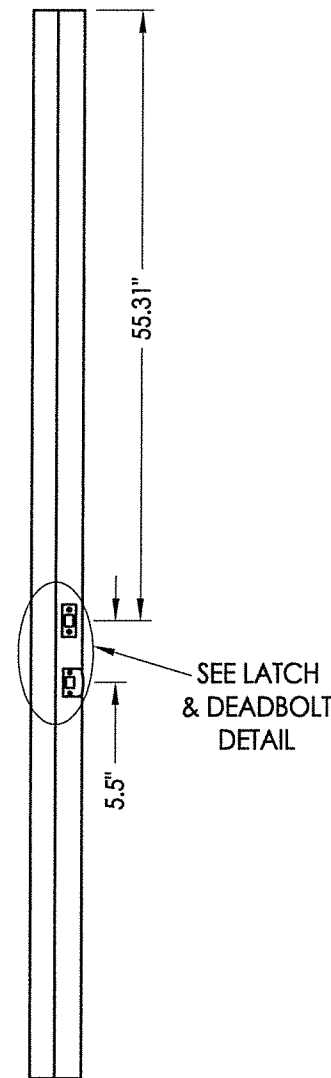


STRIKE MULLION
Sidelite



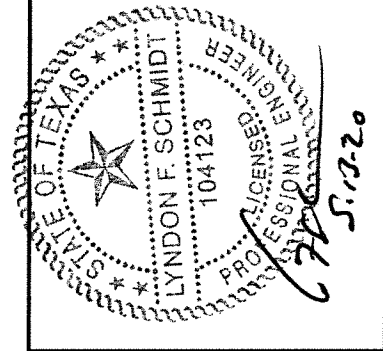
ASTRAGAL STRIKE
Double Door

MULTI-POINT LOCK STRIKE DETAILS



STRIKE JAMB / MULLION
Single Door

LATCH & DEADBOLT STRIKE DETAILS

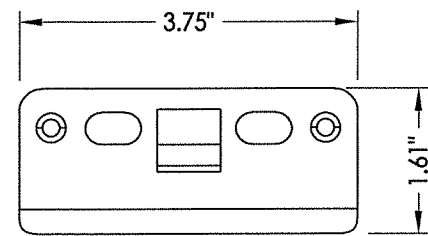


Documents Prepared By: Lyndon F. Schmidt, P.E.
TEXAS P.E. #104123

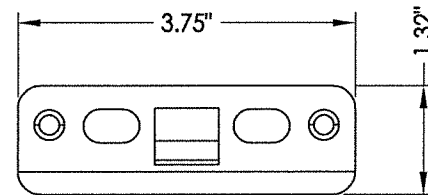
RW BUILDING CONSULTANTS, INC.
P.O. Box 230 Valrico FL, 33595
Phone No.: 813.659.9197
TEXAS BOARD OF PROFESSIONAL ENGINEERS
CERTIFICATE OF REGISTRATION # F-11852

PRODUCT:		THERMA-TRU	
PART OR ASSEMBLY:		HARDWARE STRIKE DETAILS	
NO.	DATE	BY	REVISIONS
2	5/13/20	LFS	UPDATE TO 2018 IBC/IRC CODE
1	7/16/15	LFS	ADDED GENERAL NOTE 5.
DATE: 1/2/13			
SCALE: N.T.S.			
DWG. BY: JK			
CHK. BY: LFS			
DRAWING NO.: TX-4292			
SHEET 9 OF 10			

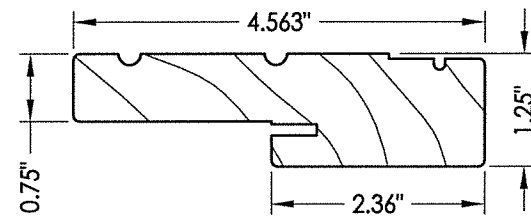
BILL OF MATERIALS		
ITEM #	DESCRIPTION	MATERIAL
A	2X FRAMING (G >= 0.42)	WOOD
C	1/4" MAX. SHIM SPACE	-
D	1/4" ELCO OR ITW CONCRETE SCREW (1-3/4" MIN. EMBEDMENT)	STEEL
K	#12 X 3" PFH WOOD SCREW (1-1/2" MIN. EMBEDMENT)	STEEL
L	#10 X 2-1/2" PFH WOOD SCREW (1.15" MIN. EMBEDMENT)	STEEL
M	#8 X 1-1/4" PFH WOOD SCREW	STEEL
1	HEAD AND SIDE JAMB (FINGER-JONTE PINE) (G >= 0.42)	WOOD
2	INTEGRAL MULLION (FINGER-JONTE PINE) (G >= 0.42)	WOOD
7	WEATHER-STRIP (THERMA-TRU)	FOAM
8	DOOR BOTTOM SWEEP	PVC
9	4" X 4" HINGE	STEEL
10	#10 X 3/4" PFH WOOD SCREW	STEEL
11	#10 X 1-3/4" PFH WOOD SCREW	STEEL
22	COASTAL ALUMINUM ASTRAGAL	ALUM
23	ASTRAGAL & SHOOTBOLT STRIKE PLATE (AT HEAD)	STEEL
24	ASTRAGAL & SHOOTBOLT STRIKE PLATE (AT SILL)	STEEL
27	LATCH STRIKE PLATE (STANDARD)	STEEL
28	DEADBOLT STRIKE PLATE (STANDARD)	STEEL
29	TONGUE STRIKE PLATE (DOOR TONGUE SYSTEM)	STEEL
29A	TONGUE STRIKE PLATE (SIDELITE TONGUE SYSTEM)	STEEL
30	LATCH & DEADBOLT STRIKE PLATE (TONGUE SYSTEM)	STEEL
33	INSWING THRESHOLD	ALUM/COMP
40	FIBERGLASS DOOR PANEL - SMOOTH STAR / FIBER CLASSIC	-
50	FIBERGLASS SIDELITE PANEL - SMOOTH STAR / FIBER CLASSIC	-



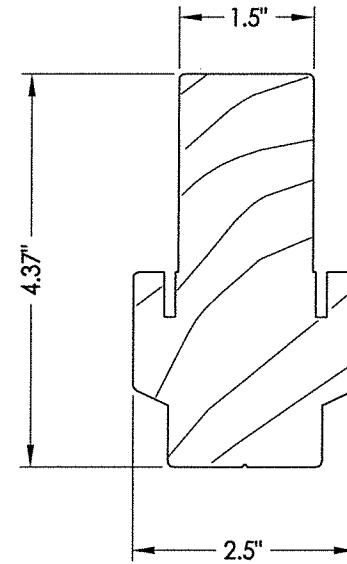
23 ASTRAGAL & SHOOTBOLT
Strike plate @ head



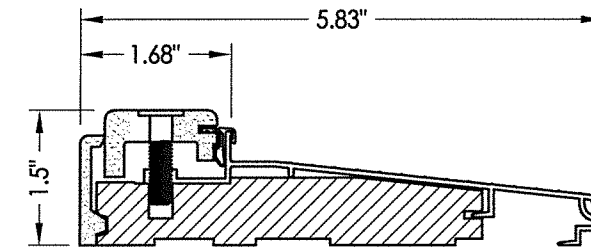
24 ASTRAGAL & SHOOTBOLT
Strike plate @ sill



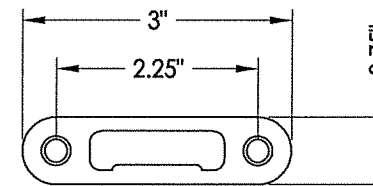
1 HEAD & JAMB



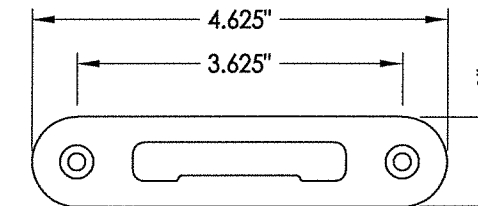
2 INTEGRAL MULLION



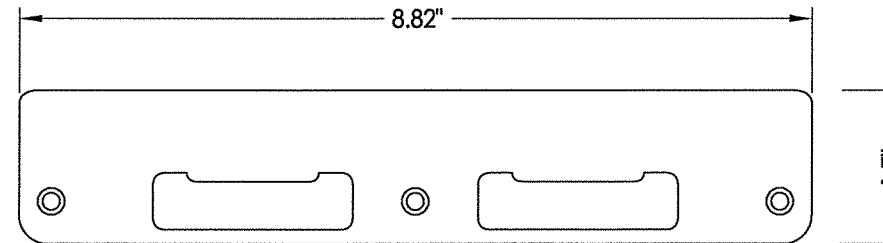
33 INSWING THRESHOLD



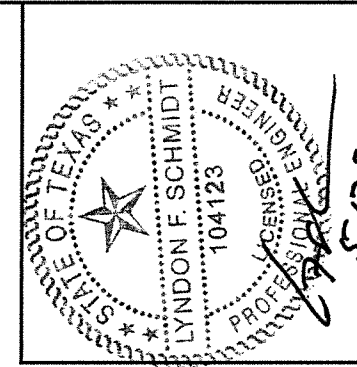
29A TONGUE STRIKE PLATE
Sidelite Tongue system



29 TONGUE STRIKE PLATE
Door Tongue system



30 LATCH & DEADBOLT STRIKE PLATE
Tongue system



Documents Prepared By: Lyndon F. Schmidt, P.E.
TEXAS P.E. #104123

RW BUILDING CONSULTANTS, INC.
P.O. Box 230 Vairico FL 33595
Phone No.: 813.659.9197

TEXAS BOARD OF PROFESSIONAL ENGINEERS
CERTIFICATE OF REGISTRATION # F-11852

PRODUCT:	Therma TRU
PART OR ASSEMBLY:	BILL OF MATERIAL & COMPONENTS

NO.	DATE	REVISIONS
2	5/13/20	UPDATE TO 2018 IBC/IRC CODE
1	7/16/15	ADDED GENERAL NOTE 5.
		LFS
		LFS
		BY

DATE: 1/2/13

SCALE: N.T.S.

DWG. BY: JK

CHK. BY: LFS

DRAWING NO.: TX-4292

SHEET 10 OF 10