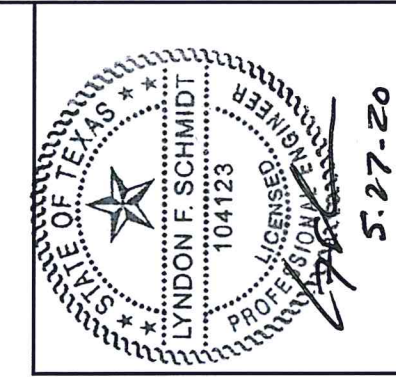


plastpro

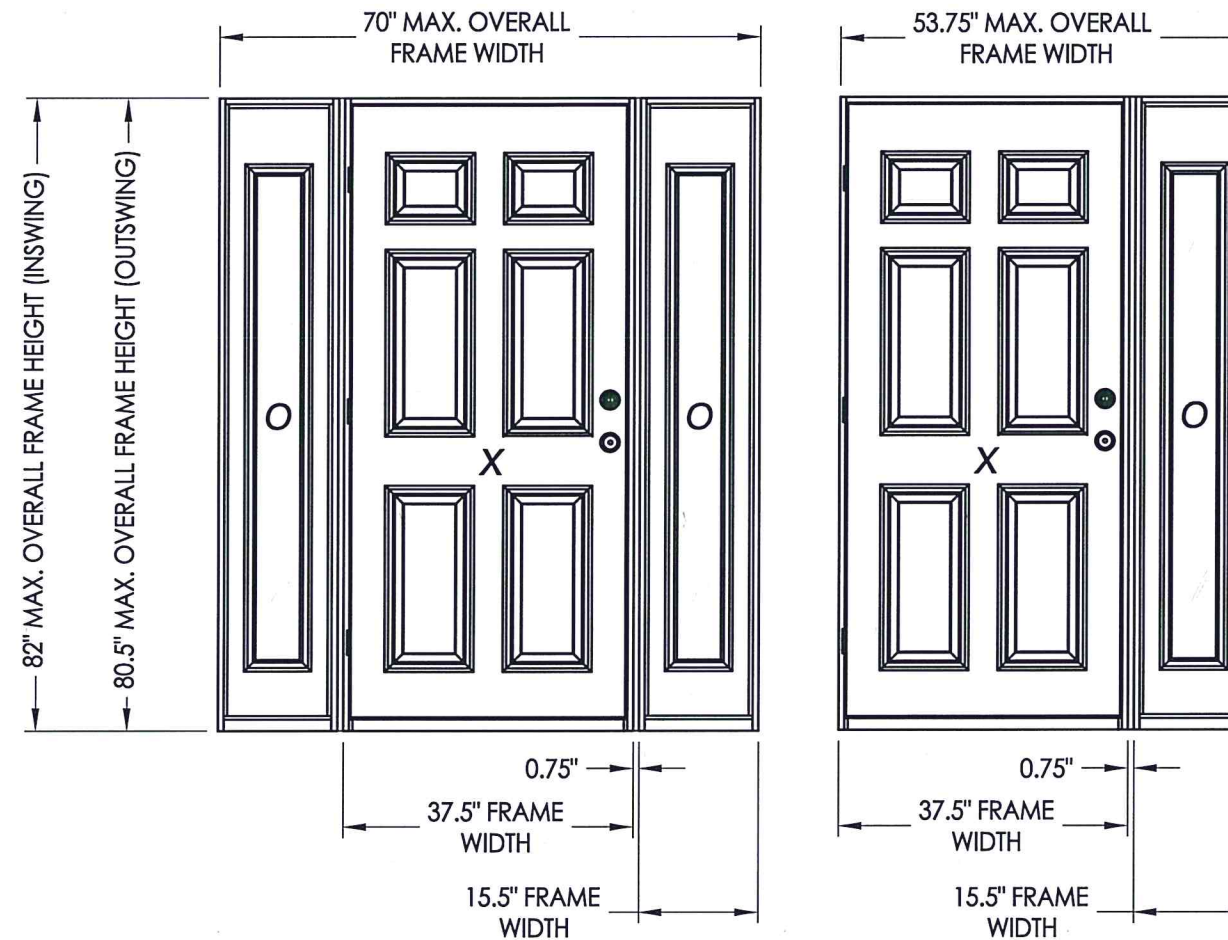
5200 W. CENTURY BLVD.
LOS ANGELES, CA 90045



Documents Prepared By: Lyndon F. Schmidt, P.E.
TEXAS P.E. #104123

RW BUILDING CONSULTANTS, INC.
P.O. Box 230 Valrico FL 33595
Phone No.: 813.659.9197
TEXAS BOARD OF PROFESSIONAL ENGINEERS
CERTIFICATE OF REGISTRATION # F-11852

OPAQUE FIBERGLASS SINGLE DOOR w/ SIDELITES INSWING / OUTSWING "NON-IMPACT"



EVALUATED FOR USE IN THE STATE OF TEXAS

The Fiberglass Door system described herein complies with the 2018 International Residential Code (IRC), Sections R301 & R609 and the 2018 International Building Code (IBC), Sections 1404.13, 1609, 1709.5, 2403 and 2404 subject to the following conditions:

1. Anchors shall be as listed and spaced as shown in the details. Anchor embedment to base material shall be beyond wall dressing or stucco.
2. When used in areas requiring wind-borne debris protection this product is required to be protected with an impact resistant covering that complies with Section R301.2.1.2 of the IRC and Section 1609.1.2 of the IBC.
3. Allowable design pressure requirements must be equal to or less than the design pressure rating shown in the design pressure chart, sheet 1 of this drawing.
4. Conditions not covered by this drawing are subject to further engineering analysis.

TABLE OF CONTENTS

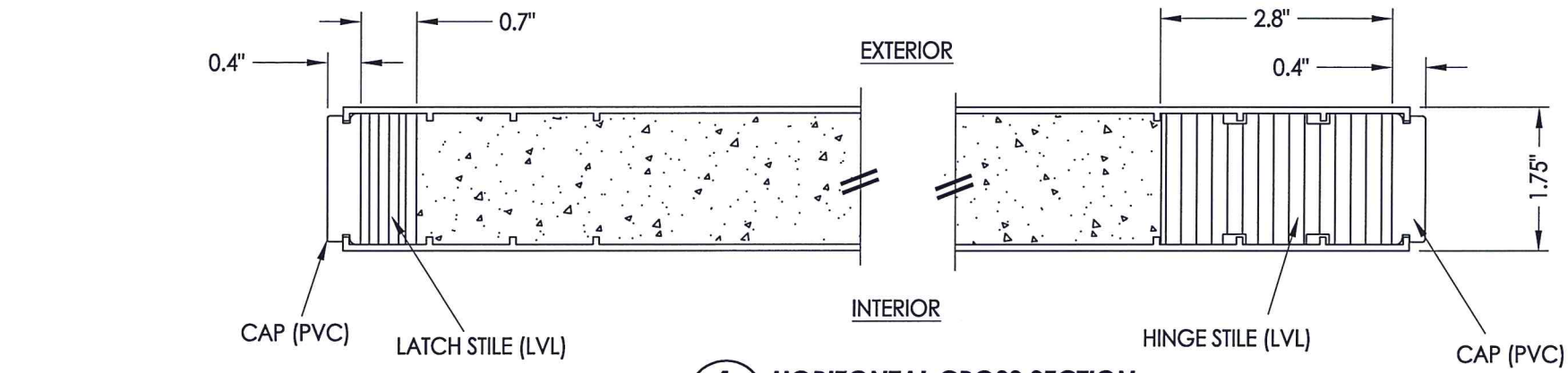
SHEET#	DESCRIPTION
1	Typical elevations, design pressures & general notes
2	Door panel details
3	Sidelite panel details
4	Elevations
5	Vertical cross sections
6	Vertical cross sections
7	Horizontal cross sections
8	Frame anchoring
9	Bill of materials, components and glazing details

CONFIGURATION	MAX. FRAME DIMENSION	MAX. D.L.O. DIMENSION	DESIGN PRESSURE (PSF) INSWING		DESIGN PRESSURE (PSF) OUTSWING	
			POSITIVE	NEGATIVE	POSITIVE	NEGATIVE
OX or XO	53.75" x 82.0"	7.0" X 63.0"	+55.0	-60.0	+55.0	-55.0
OXO	70.0" x 82.0"	7.0" X 63.0"	+55.0	-60.0	+55.0	-55.0

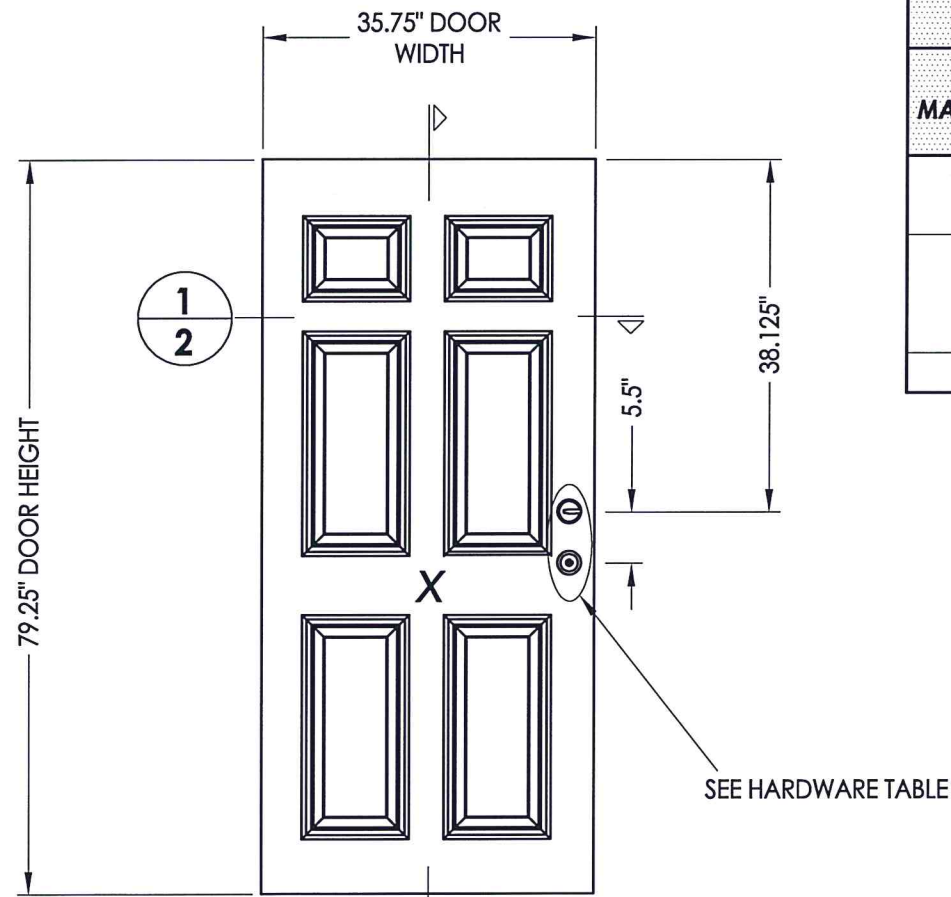
PRODUCT: PLASTPRO FIBERGLASS DOOR
PART OR ASSEMBLY: TYPICAL ELEVATION, DESIGN PRESSURES & GENERAL NOTES

NO.	DATE	REVISIONS
1	5/27/20	UPDATE TO 2018 IBC/IRC CODE

DATE: 6/23/10
SCALE: N.T.S.
DWG. BY: JK
CHK. BY: LFS
DRAWING NO.: TX-4115
SHEET 1 OF 9

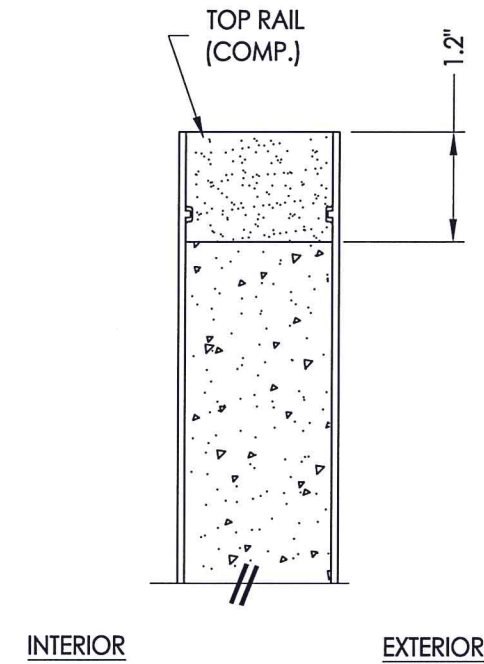


1
2 **HORIZONTAL CROSS SECTION**



40 **DOOR PANEL**
Plastpro
Fiberglass

HARDWARE TABLE	
MANUFACTURER	MODEL
KWIKSET	KNOB: SIGNATURE SERIES DEADBOLT: SIGNATURE SERIES (780)
SCHLAGE	KNOB: "F" SERIES (F10) LEVER: "F" SERIES (F10) DEADBOLT: "B" SERIES (B60/62)
SCHLAGE	HANDLE SET W/DEADBOLT: "F" SERIES (F60)



2
2 **VERTICAL CROSS SECTION**



Documents Prepared By: Lyndon F. Schmidt, P.E.
TEXAS P.E. #104123

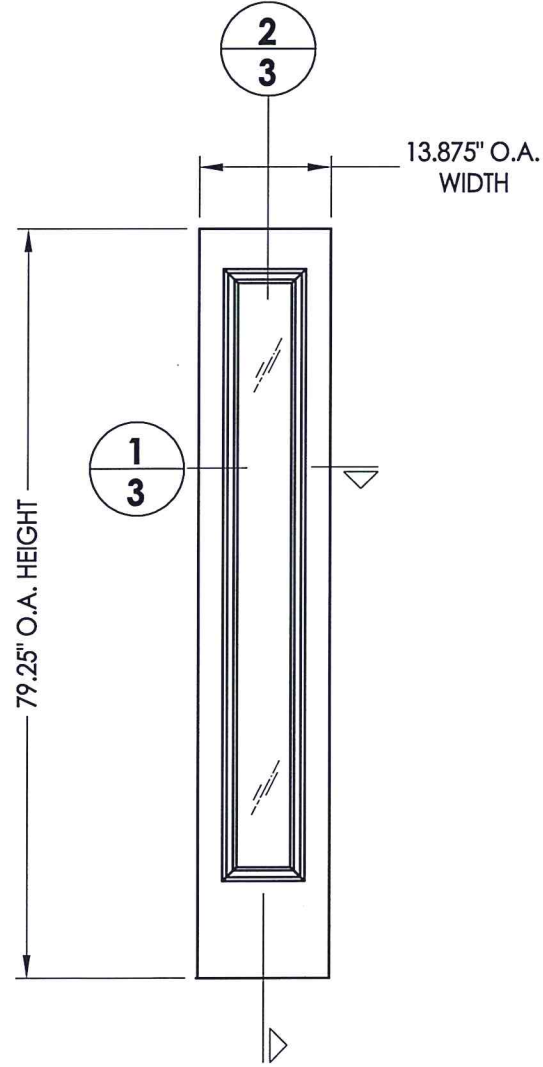
RW BUILDING CONSULTANTS, INC.
P.O. Box 230 Valrico FL, 33595
Phone No.: 813.659.9197

TEXAS BOARD OF PROFESSIONAL ENGINEERS
CERTIFICATE OF REGISTRATION # F-11852

PRODUCT:	PLASTPRO FIBERGLASS DOOR
PART OR ASSEMBLY:	DOOR PANEL DETAILS

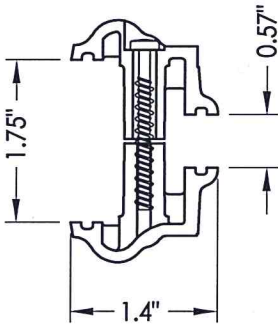
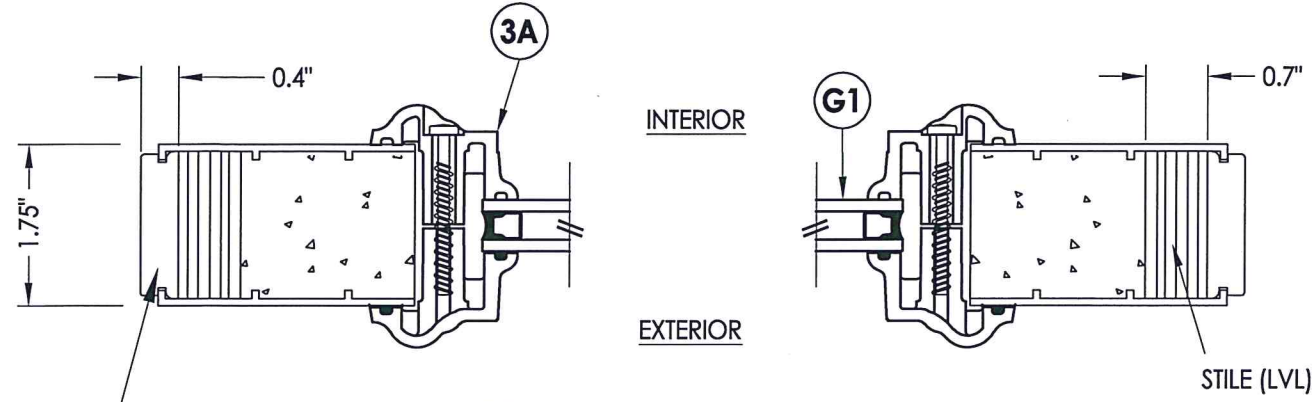
NO.	DATE	DESCRIPTION	BY
1	5/27/20	UPDATE TO 2018 IBC/IRC CODE	LFS

DATE:	6/23/10
SCALE:	N.T.S.
DWG. BY:	JK
CHK. BY:	LFS
DRAWING NO.:	TX-4115
SHEET	2 OF 9



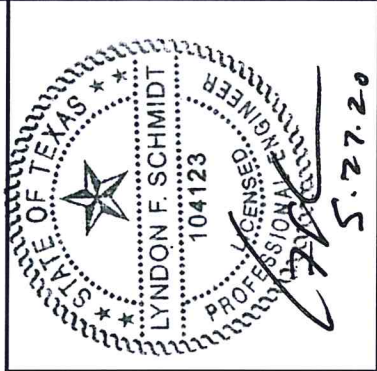
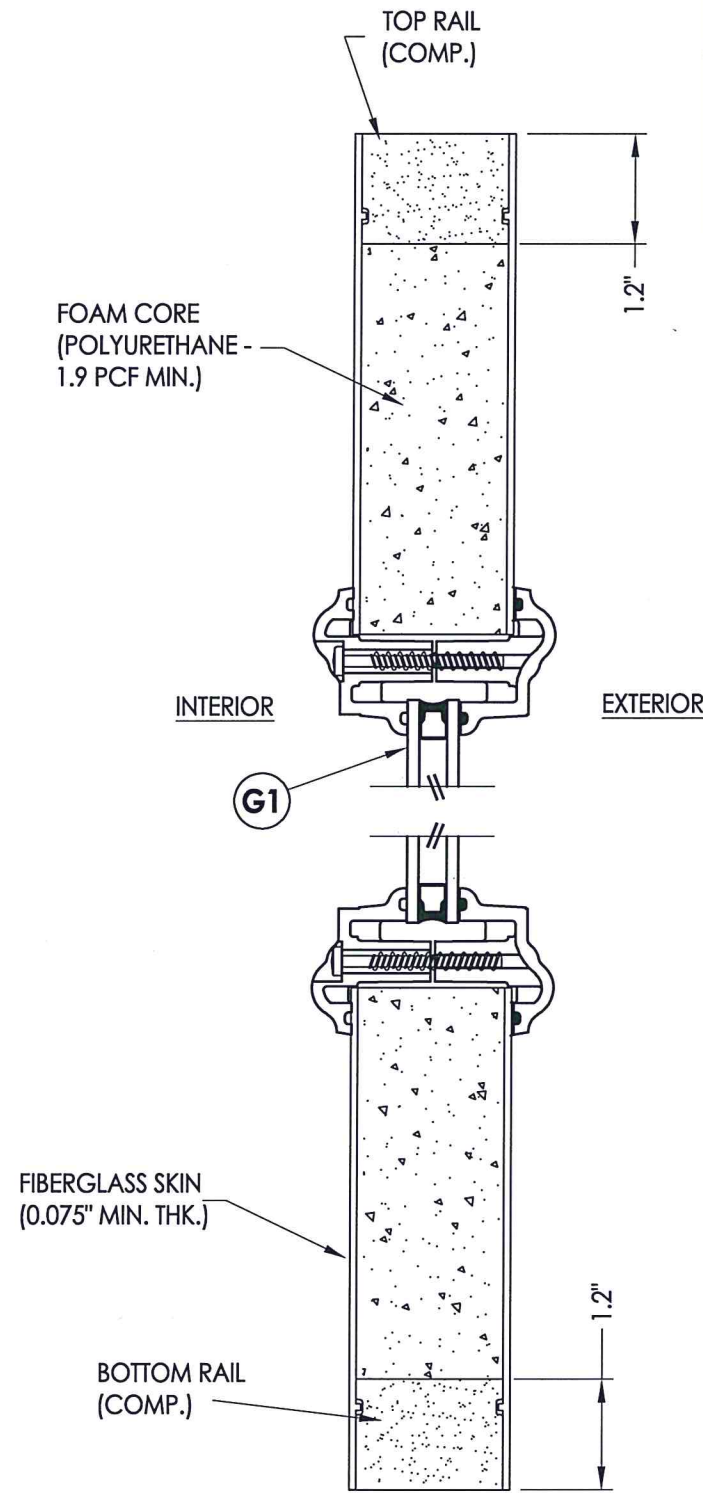
50 SIDELITE PANEL
Plastpro
Fiberglass

1 HORIZONTAL CROSS SECTION



3A OD LITE FRAME
HP Polypropylene

2 VERTICAL CROSS SECTION



Documents Prepared By: Lyndon F. Schmidt, P.E.
TEXAS P.E. #104123

RW BUILDING CONSULTANTS, INC.
P.O. Box 230 Valrico FL 33595
Phone No.: 813.659.9197

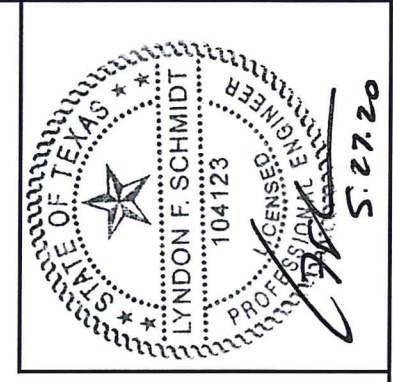
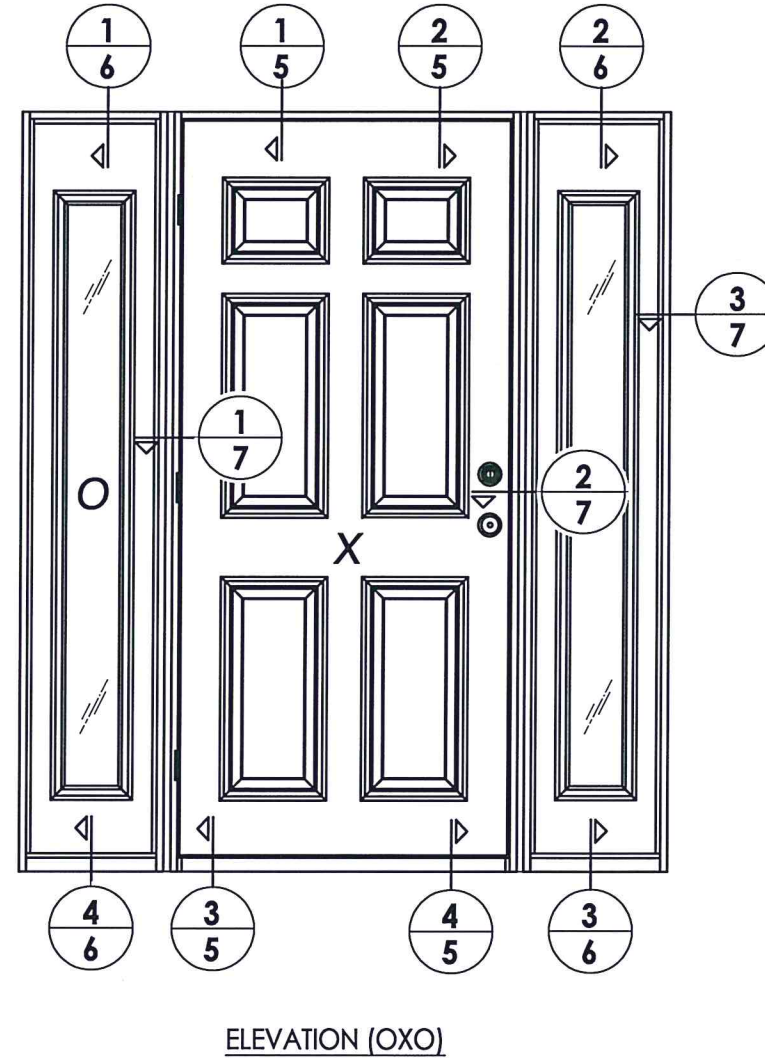
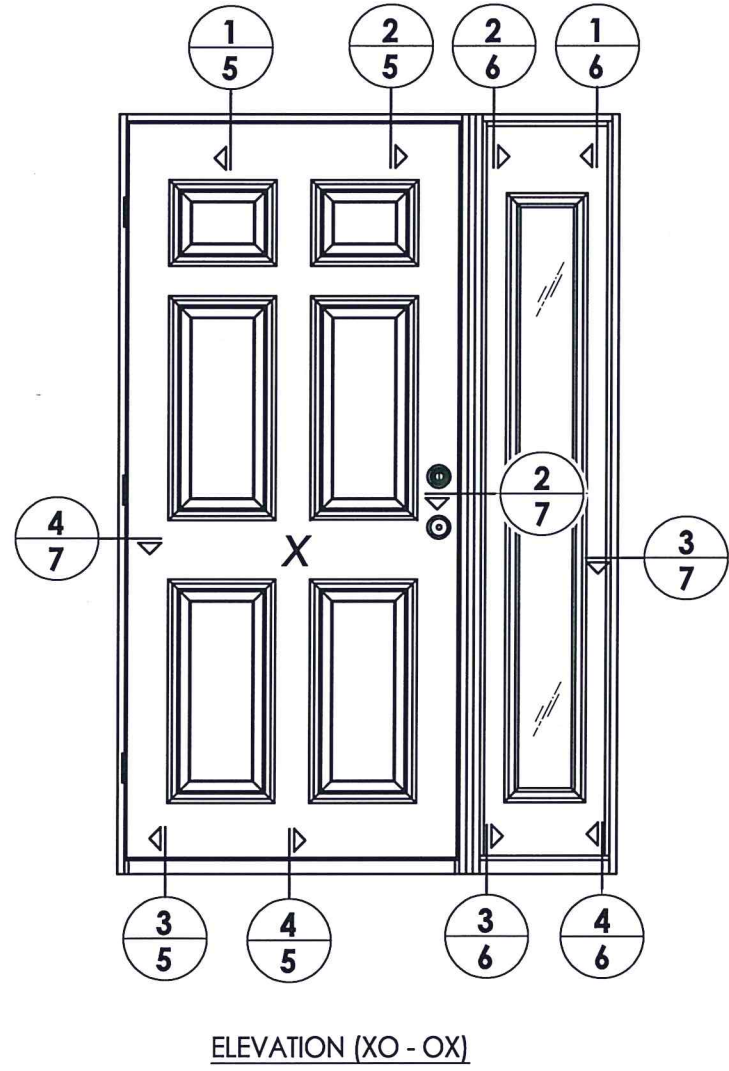
TEXAS BOARD OF PROFESSIONAL ENGINEERS
CERTIFICATE OF REGISTRATION # F-11852

PRODUCT: PLASTPRO
FIBERGLASS DOOR

PART OR ASSEMBLY:
SIDELITE PANEL DETAILS

NO.	DATE	UPDATE TO 2018 IBC/IRC CODE	LFS	BY
1	5/27/20			

DATE: 6/23/10
SCALE: N.T.S.
DWG. BY: JK
CHK. BY: LFS
DRAWING NO.: TX-4115
SHEET 3 OF 9



Documents Prepared By: Lyndon F. Schmidt, P.E.
TEXAS P.E. #104123

RW BUILDING CONSULTANTS, INC.
P.O. Box 230 Valrico FL, 33595
Phone No.: 813.659.9197

TEXAS BOARD OF PROFESSIONAL ENGINEERS
CERTIFICATE OF REGISTRATION # F-11852

PRODUCT: PLASTPRO FIBERGLASS DOOR

PART OR ASSEMBLY: ELEVATIONS

NO.	DATE	DESCRIPTION	LFS	BY
1	5/27/20	UPDATE TO 2018 IBC/IRC CODE	LFS	BY

DATE: 1/17/11

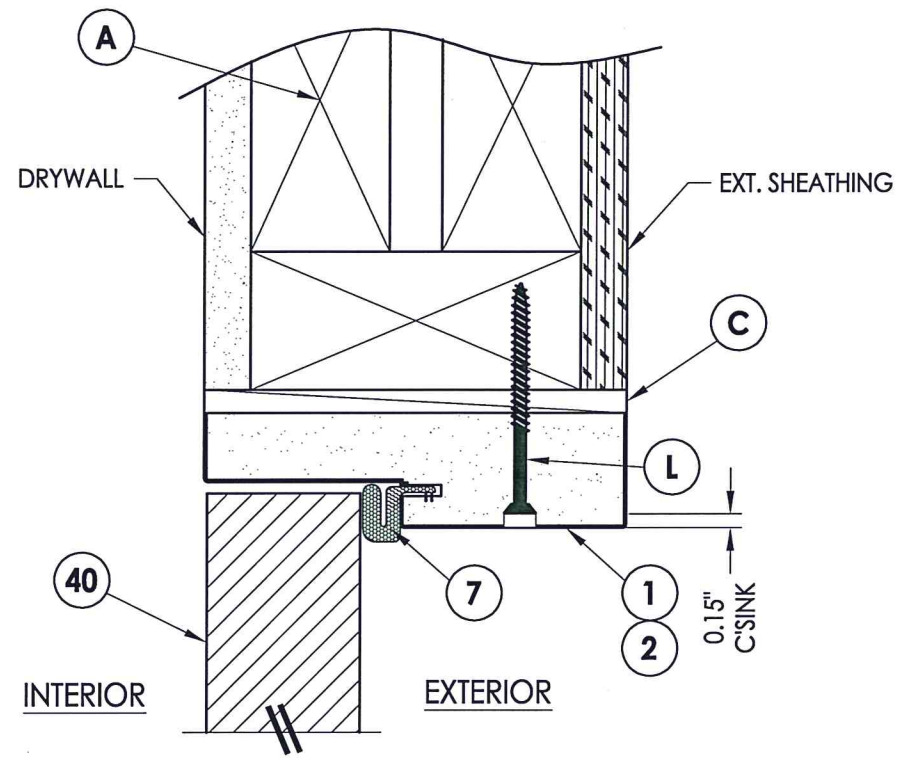
SCALE: N.T.S.

DWG. BY: JK

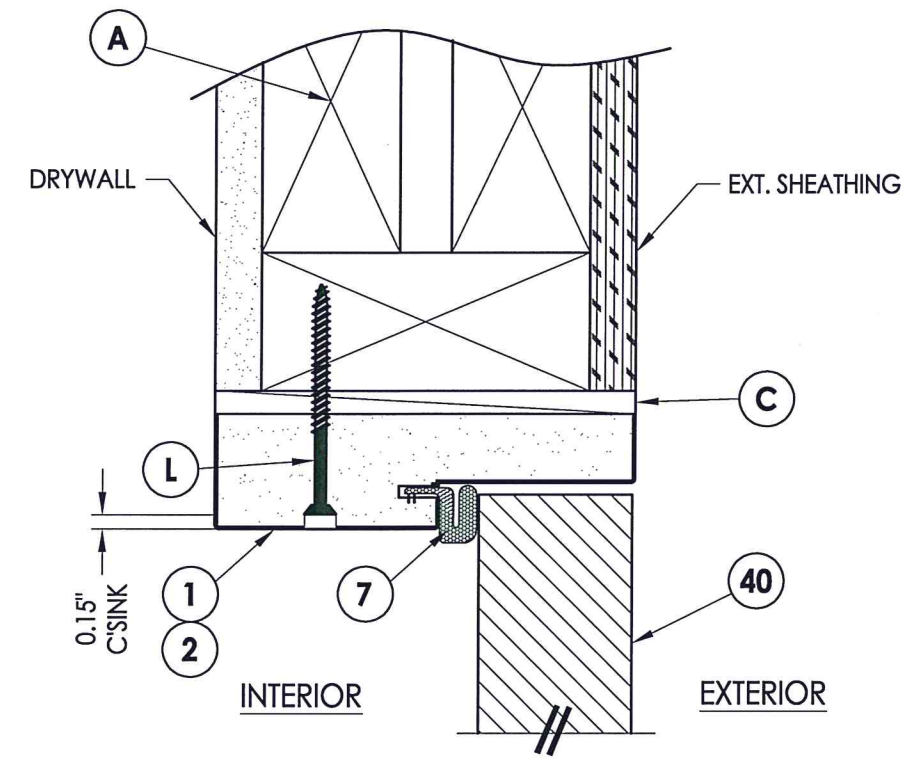
CHK. BY: LFS

DRAWING NO.: TX-4115

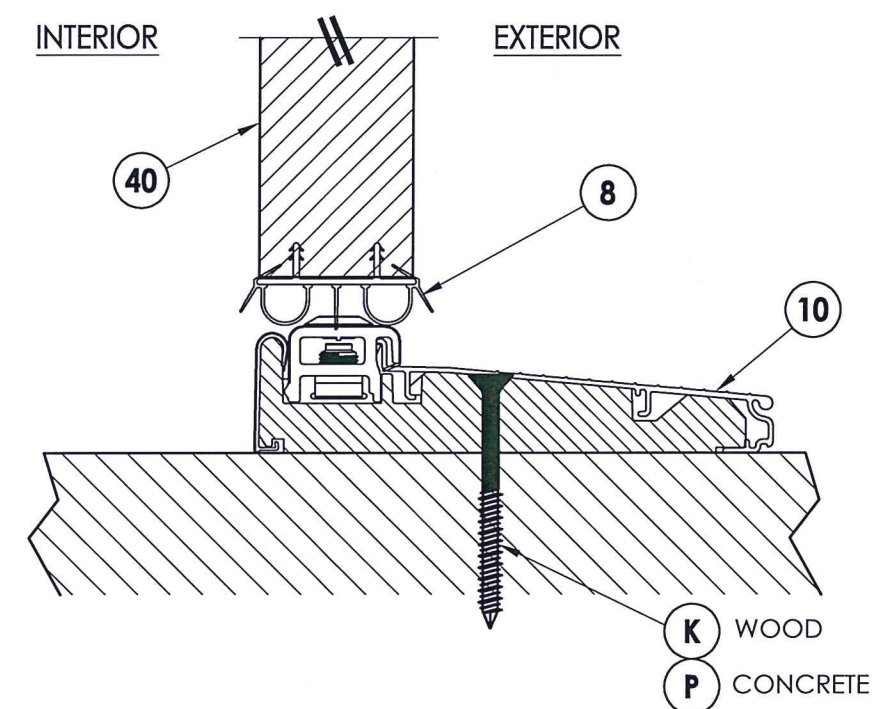
SHEET 4 OF 9



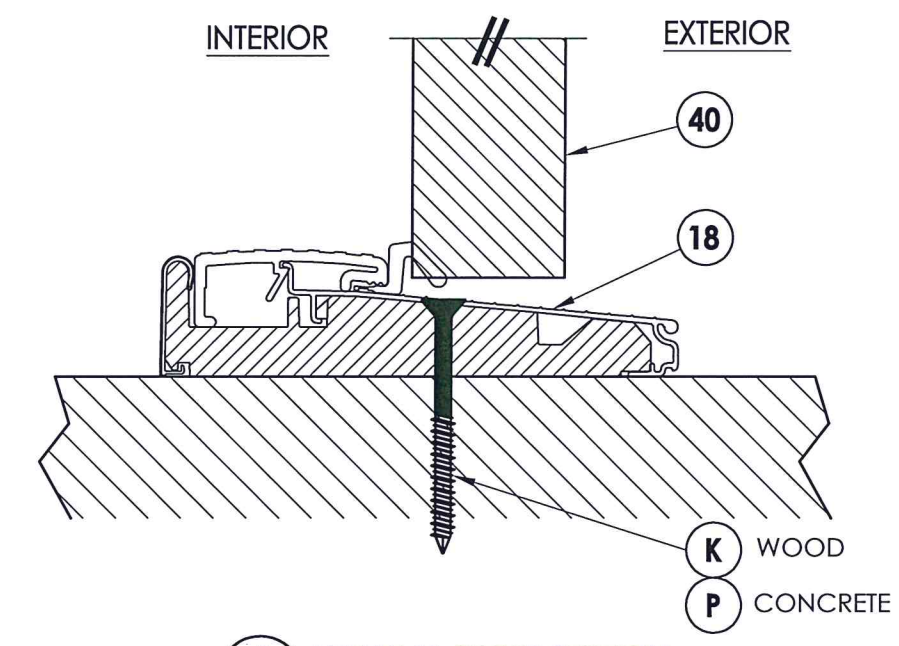
1 VERTICAL CROSS SECTION
5 Inswing shown



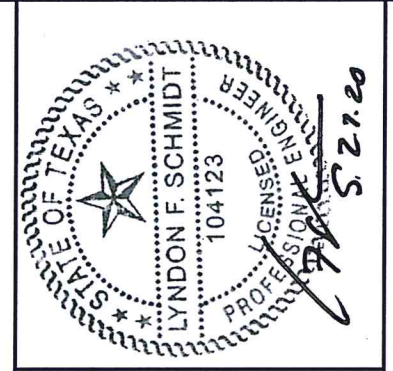
2 VERTICAL CROSS SECTION
5 Outswing shown



3 VERTICAL CROSS SECTION
5 Inswing shown



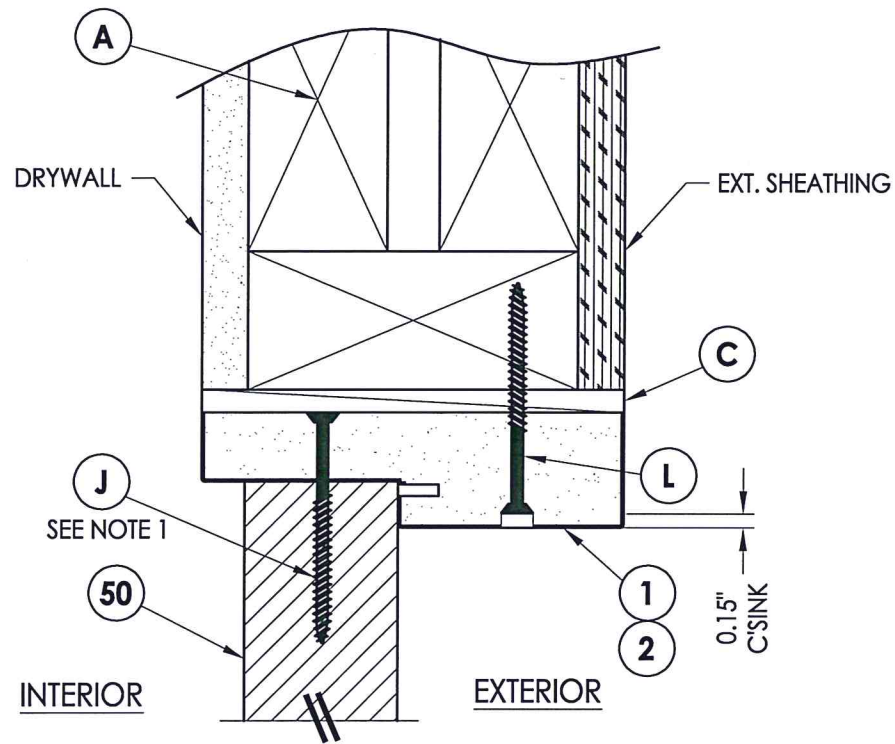
4 VERTICAL CROSS SECTION
5 Outswing shown



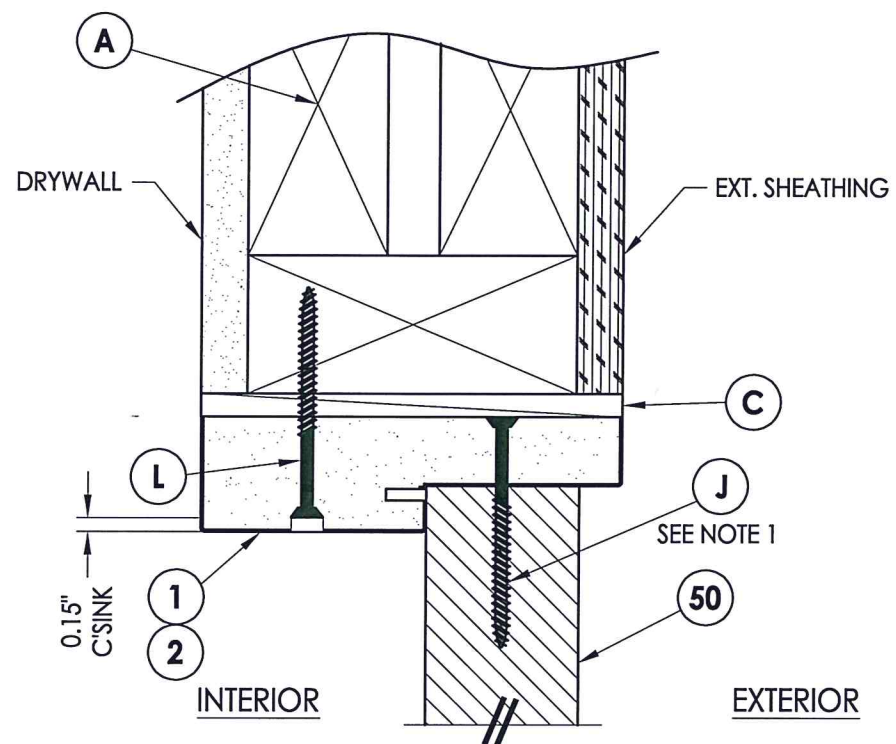
Documents Prepared By: Lyndon F. Schmidt, P.E.
 TEXAS P.E. #104123

RW BUILDING CONSULTANTS, INC.
 P.O. Box 230 Valrico FL 33595
 Phone No.: 813.659.9197
 TEXAS BOARD OF PROFESSIONAL ENGINEERS
 CERTIFICATE OF REGISTRATION # F-11852

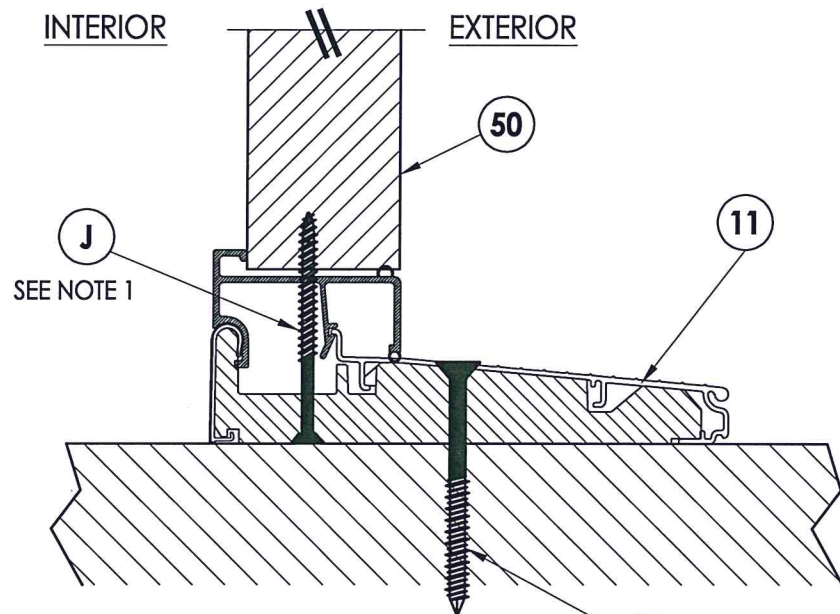
PRODUCT: PLASTPRO FIBERGLASS DOOR	
PART OR ASSEMBLY: VERTICAL CROSS SECTIONS	
NO.	DATE
1	5/27/20
UPDATE TO 2018 IBC/IRC CODE	
LFS	BY
REVISIONS	
DATE: 1/17/11	
SCALE: N.T.S.	
DWG. BY: JK	
CHK. BY: LFS	
DRAWING NO.: TX-4115	
SHEET 5 OF 9	



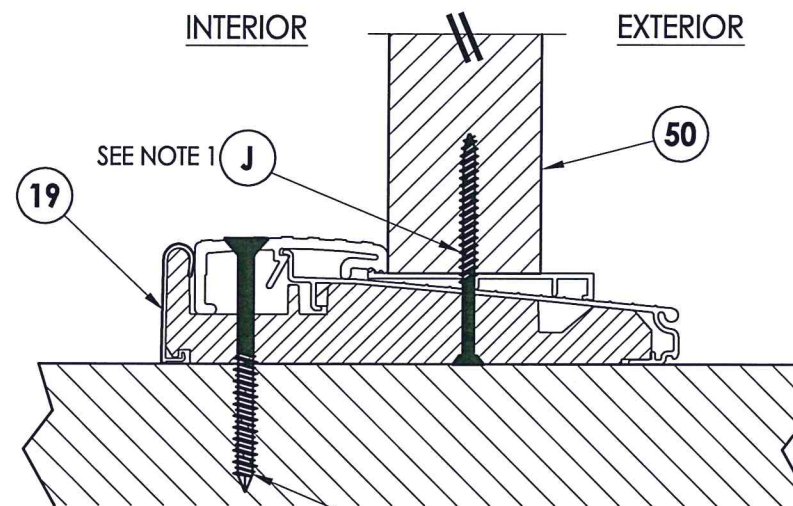
1 VERTICAL CROSS SECTION
6 Inswing shown



2 VERTICAL CROSS SECTION
6 Outswing shown

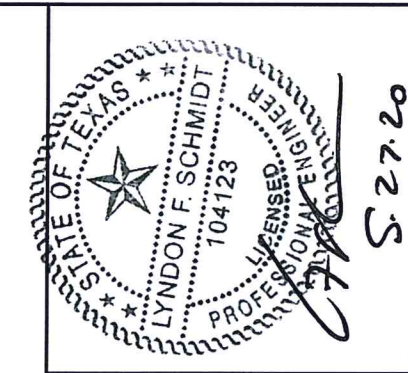


3 VERTICAL CROSS SECTION
6 Inswing shown



4 VERTICAL CROSS SECTION
6 Outswing shown

NOTE:
1. Spacing for item J:
3.75" from each end.



Documents Prepared By: Lyndon F. Schmidt, P.E.
TEXAS P.E. #104123

RW BUILDING CONSULTANTS, INC.
P.O. Box 230 Valrico FL, 33595
Phone No.: 813.659.9197
TEXAS BOARD OF PROFESSIONAL ENGINEERS
CERTIFICATE OF REGISTRATION # F-11852

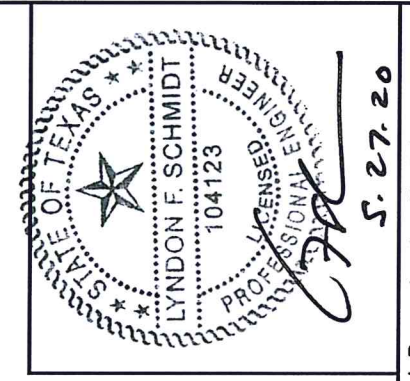
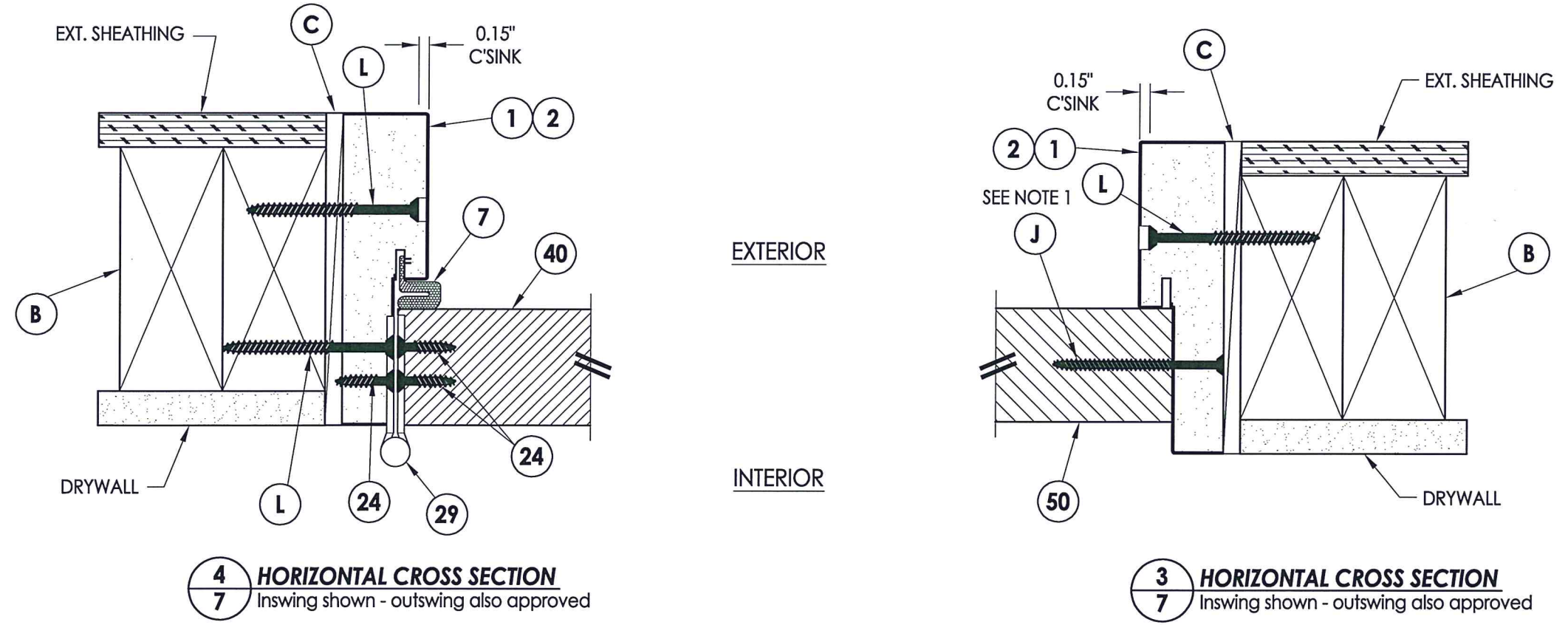
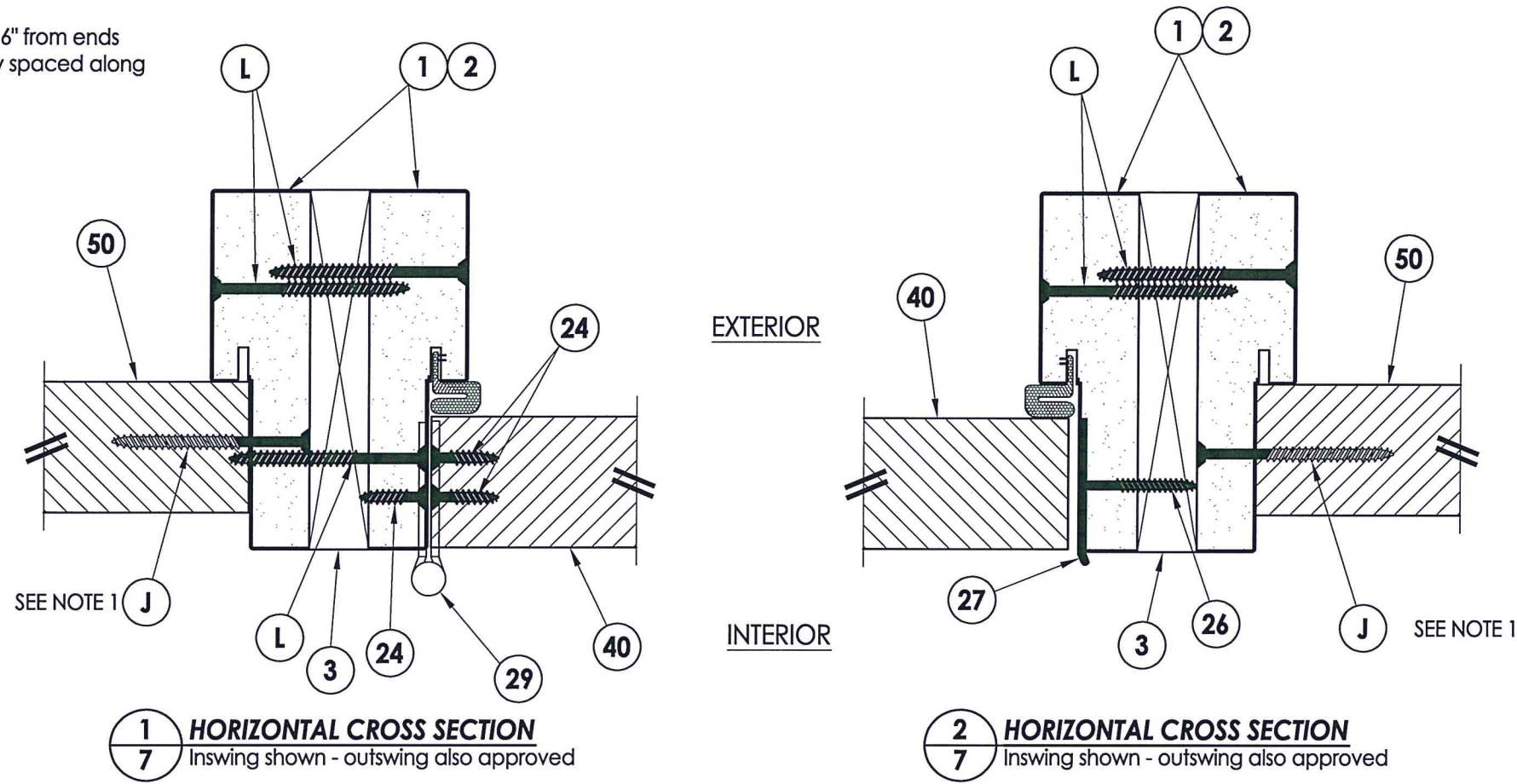
PRODUCT: PLASTPRO FIBERGLASS DOOR
PART OR ASSEMBLY: VERTICAL CROSS SECTIONS

NO.	DATE	DESCRIPTION	BY
1	5/27/20	UPDATE TO 2018 IBC/IRC CODE	LFS

DATE: 1/17/11
SCALE: N.T.S.
DWG. BY: JK
CHK. BY: LFS
DRAWING NO.: TX-4115
SHEET 6 OF 9

NOTE:

1. Spacing for item J: 6" from ends and 4 more equally spaced along sidelite (6 total).



Documents Prepared By: Lyndon F. Schmidt, P.E.
TEXAS P.E. #104123

RW BUILDING CONSULTANTS, INC.
P.O. Box 230 Valrico FL 33595
Phone No.: 813.659.9197

TEXAS BOARD OF PROFESSIONAL ENGINEERS
CERTIFICATE OF REGISTRATION # F-11852

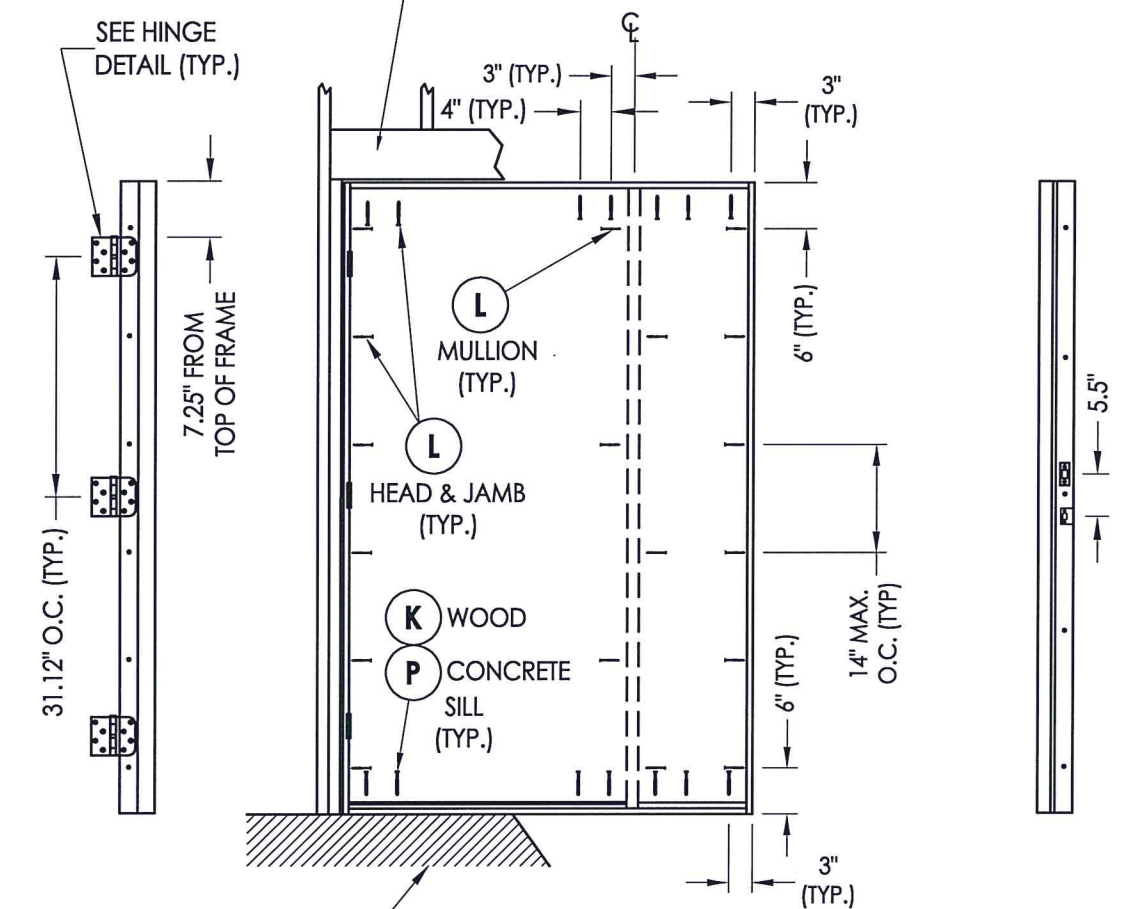
PRODUCT: PLASTPRO FIBERGLASS DOOR

PART OR ASSEMBLY: HORIZONTAL CROSS SECTIONS

NO.	DATE	DESCRIPTION	BY
1	5/27/20	UPDATE TO 2018 IBC/IRC CODE	LFS

DATE: 1/17/11
SCALE: N.T.S.
DWG. BY: JK
CHK. BY: LFS
DRAWING NO.: TX-4115
SHEET 7 OF 9

2X FRAMING TO BE DESIGNED BY THE ENGINEER OR ARCHITECT OF RECORD

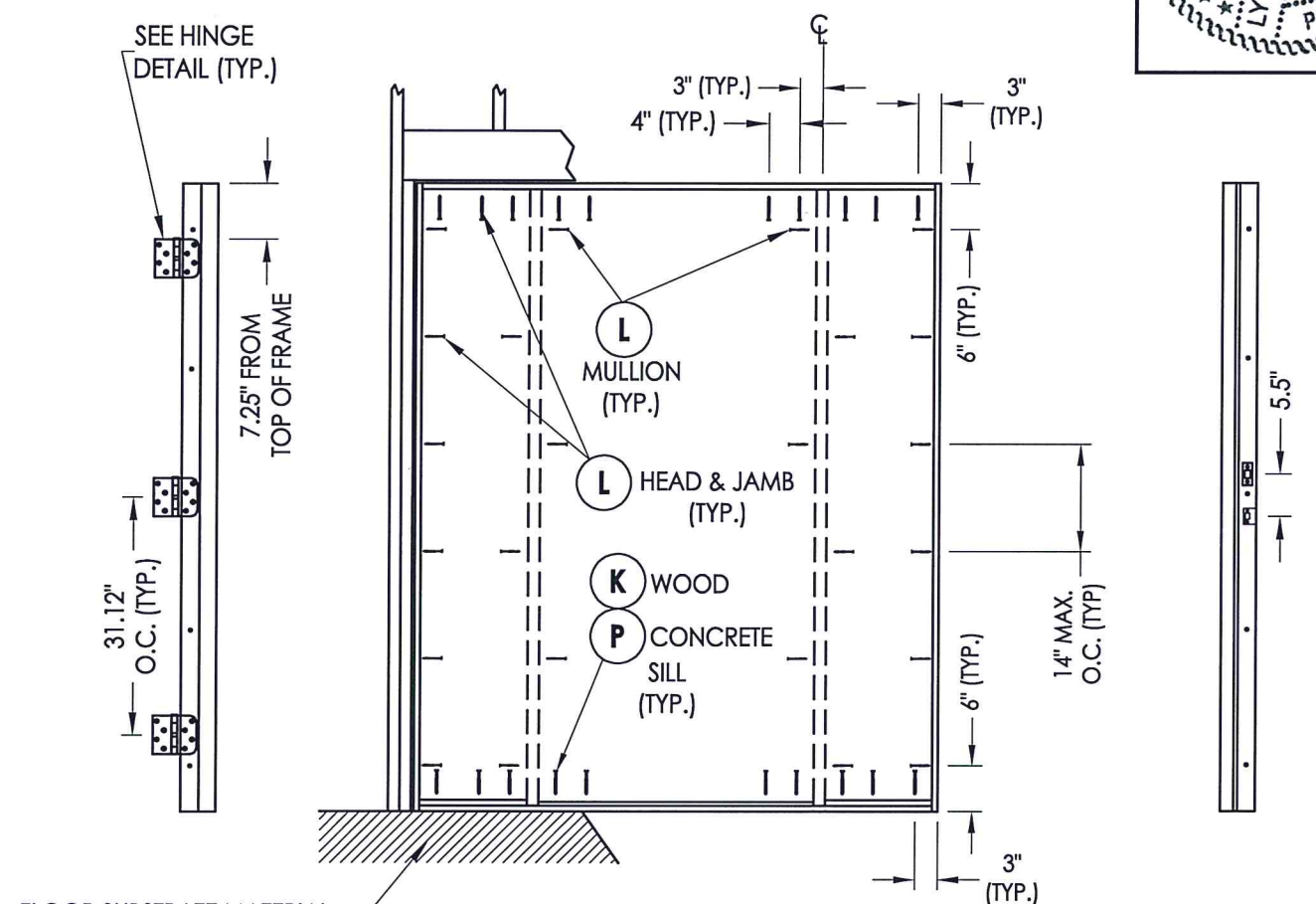


FLOOR SUBSTRATE MATERIAL
CONCRETE (MIN. 3000 PSI)
WOOD (S.G. >= 0.42)

HINGE JAMB

**FRAME ANCHORING
OX**

STRIKE MULLION

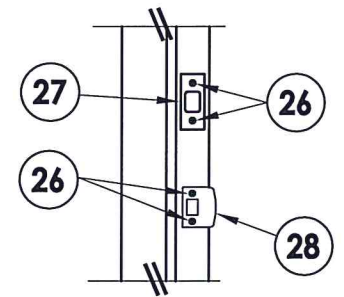


FLOOR SUBSTRATE MATERIAL
CONCRETE (MIN. 3000 PSI)
WOOD (S.G. >= 0.42)

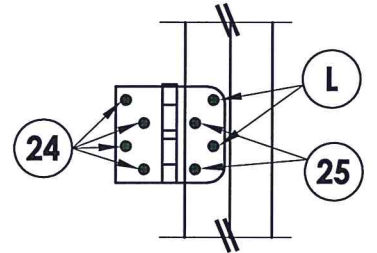
HINGE MULLION

**FRAME ANCHORING
OXO**

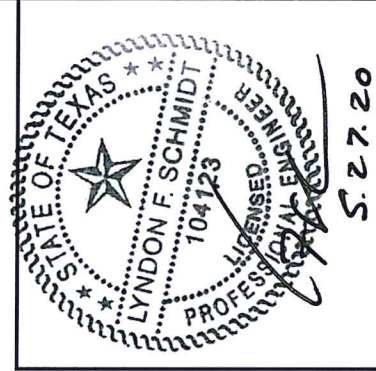
STRIKE MULLION



**LATCH AND DEADBOLT
Details**



HINGE DETAIL



Documents Prepared By: Lyndon F. Schmidt, P.E.
TEXAS P.E. #104123

RW BUILDING CONSULTANTS, INC.
P.O. Box 230 Valrico FL, 33595
Phone No.: 813.659.9197
TEXAS BOARD OF PROFESSIONAL ENGINEERS
CERTIFICATE OF REGISTRATION # F-11852

PRODUCT:	PLASTPRO FIBERGLASS DOOR
PART OR ASSEMBLY:	FRAME ANCHORING

NO.	DATE	DESCRIPTION
1	5/27/20	UPDATE TO 2018 IBC/IRC CODE
		LFS
		BY

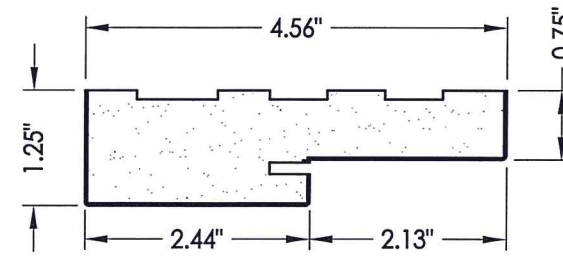
DATE:	1/17/11
SCALE:	N.T.S.
DWG. BY:	JK
CHK. BY:	LFS
DRAWING NO.:	TX-4115
SHEET	8 OF 9

BILL OF MATERIALS		
ITEM #	DESCRIPTION	MATERIAL
A	2X HEADER FRAMING (SG >= 0.42)	WOOD
B	2X BUCK (SG >= 0.42)	WOOD
C	1/4" MAX. SHIM SPACE	-
J	#9 X 2-1/2" DRYWALL SCREW	STEEL
L	#10 X 2-1/2" PFH WOOD SCREW (1.15" MIN. EMBEDMENT)	STEEL
K	#10 X 3" PFH WOOD SCREW	STEEL
P	1/4" PFH ELCO OR ITW CONCRETE SCREW (1-3/4" MIN. EMB.)	STEEL
1	POLY FIBER JAMB	COMP.
2	WOOD JAMB (FINGER JOINTED PINE)	WOOD
3	1X MULLION REINFORCEMENT (SG>= 0.55)	WOOD
4	#8 X 1-1/2" PPH SMS	STEEL
5	INT. FRAME	PVC
6	EXT. FRAME	PVC
7	FORCE 5 WEATHER STRIPPING BY ENDURA	FOAM
8	SWEEP	PVC
9	ALUMINUM SPACER	ALUMINUM
10	INSWING THRESHOLD	ALUM/COMP
11	INSWING THRESHOLD W/SIDELITE ADAPTER	ALUM/COMP
12	HOMERUN SEALANT	-
13	READISEAL SEALANT	-
18	OUTSWING THRESHOLD	ALUM/COMP
19	OUTSWING THRESHOLD W/SIDELITE ADAPTER	ALUM/COMP
24	#9 X 3/4" PFH WOOD SCREW	STEEL
26	#8 X 1-1/2" PFH WOOD SCREW	STEEL
27	LATCH STRIKE PLATE	STEEL
28	DEADBOLT STRIKE PLATE	STEEL
29	4" X 4" HINGE	STEEL
40	DOOR PANEL	-
50	SIDELITE PANEL	-

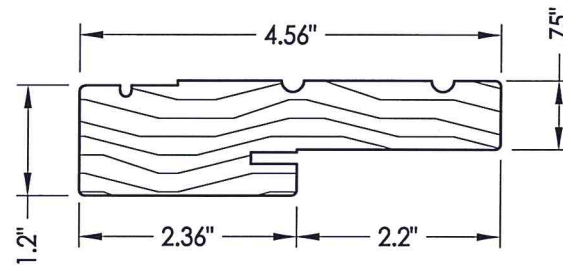
CONCRETE ANCHOR NOTES:

1. Substitution of equal concrete anchors from a different supplier may have different edge distance and center distance requirements.
2. Concrete anchor locations at the corners may be adjusted to maintain the min. edge distance to mortar joints. If concrete anchor locations noted as "MAX. ON CENTER" must be adjusted to maintain the min. edge distance to mortar joints, additional concrete anchors may be required to ensure the "MAX. ON CENTER" dimensions are not exceeded.
3. Concrete anchor table:

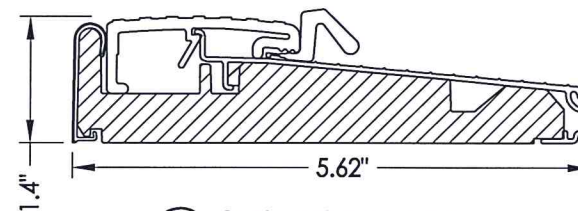
ANCHOR TYPE	ANCHOR SIZE	MIN. EMBEDMENT	MIN. CLEARANCE TO MASONRY EDGE	MIN. CLEARANCE TO ADJACENT ANCHOR
ITW	1/4"	1-3/4"	2-1/2"	3"
ELCO	1/4"	1-3/4"	1"	4"



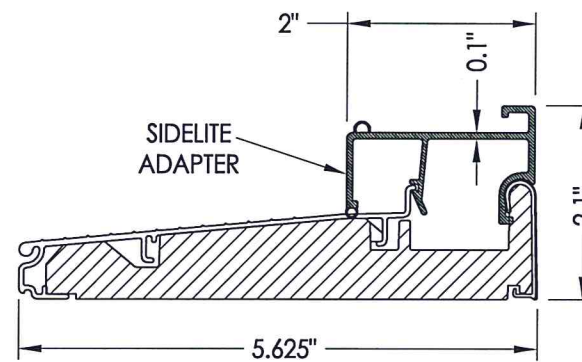
1 POLY FIBER JAMB



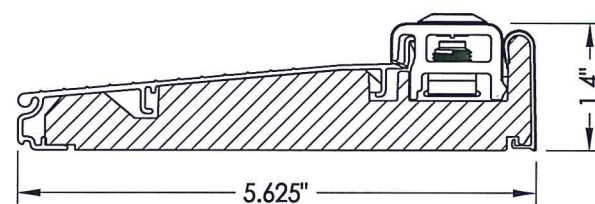
2 WOOD JAMB



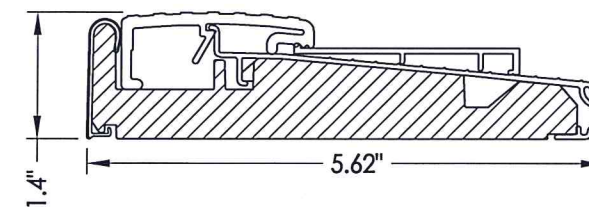
18 OUTSWING THRESHOLD
By Endura



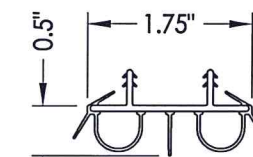
11 INSWING THRESHOLD w/ SIDELITE ADAPTER
By PLASTPRO



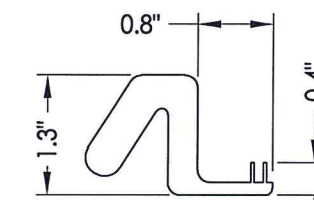
10 INSWING THRESHOLD
By PLASTPRO



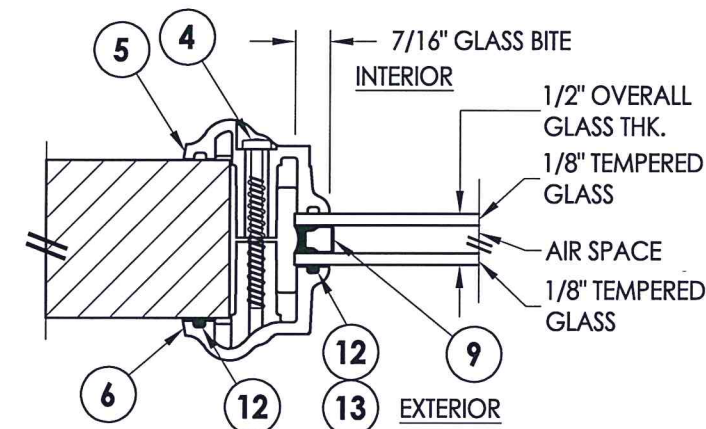
19 OUTSWING THRESHOLD w/ SIDELITE ADAPTER
By Endura



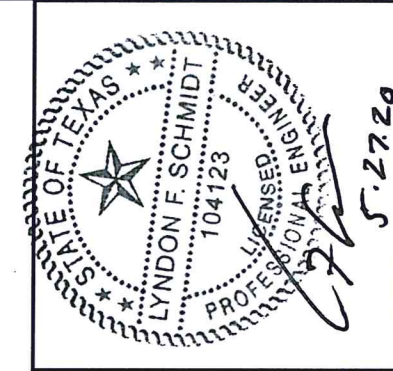
8 SWEEP



7 WEATHERSTRIP



G1 GLAZING DETAIL



Documents Prepared By: Lyndon F. Schmidt, P.E.
TEXAS P.E. #104123

RW BUILDING CONSULTANTS, INC.
P.O. Box 230 Valrico FL 33595
Phone No.: 813.659.9197

TEXAS BOARD OF PROFESSIONAL ENGINEERS
CERTIFICATE OF REGISTRATION # F-11852

PRODUCT: PLASTPRO FIBERGLASS DOOR

PART OR ASSEMBLY: BILL OF MATERIALS, COMPONENTS & GLAZING DETAILS

NO.	DATE	DESCRIPTION	LFS	BY
1	5/27/20	UPDATE TO 2018 IBC/IRC CODE	LFS	BY

DATE: 1/17/11

SCALE: N.T.S.

DWG. BY: JK

CHK. BY: LFS

DRAWING NO.: TX-4115

SHEET 9 OF 9