



# Glazed Steel Door

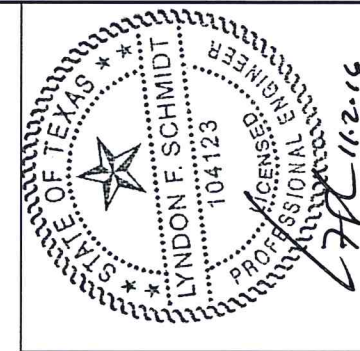
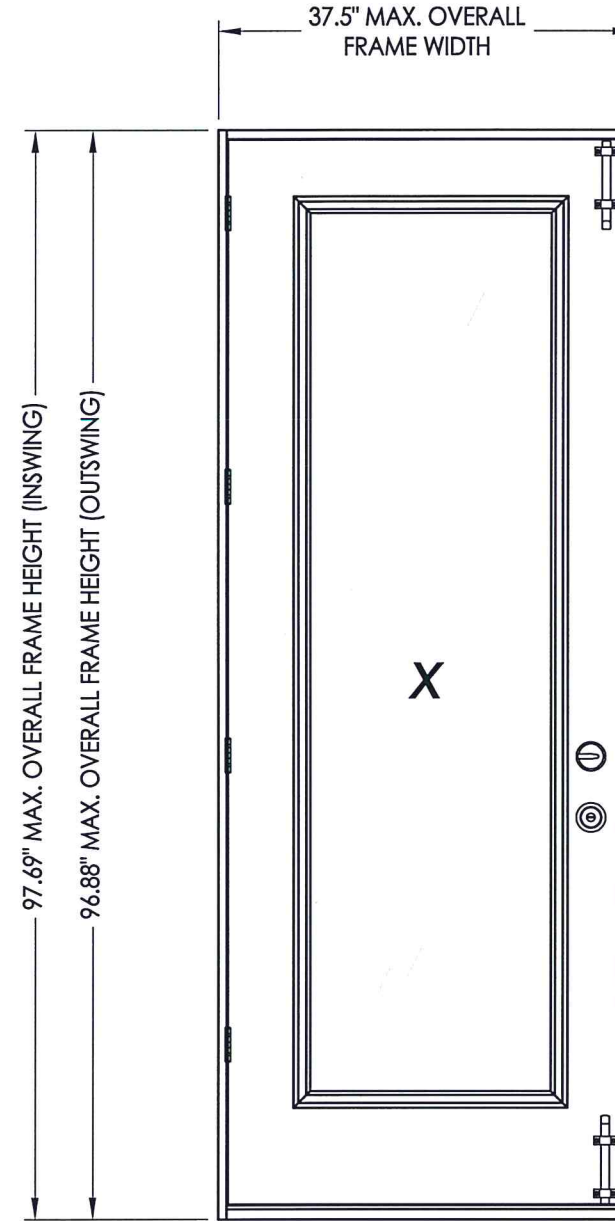
"NON-IMPACT"  
IN SWING / OUT SWING

**EVALUATED FOR USE IN THE STATE OF TEXAS**

The Glazed Steel Door system described herein complies with the 2006 International Residential Code (IRC), Sections R301 & R613 and the 2006 International Building Code (IBC), Sections 1405.12, 1609, 1714.5, 2403 and 2404 (including Texas revisions) subject to the following conditions:

1. Anchors shall be as listed and spaced as shown in the details. Anchor embedment to base material shall be beyond wall dressing or stucco.
2. When used in areas requiring wind-borne debris protection this product is required to be protected with an impact resistant covering that complies with Section R301.2.1.2 of the IRC and Section 1609.1.2 of the IBC.
3. Allowable design pressure requirements must be equal to or less than the design pressure rating shown in the design pressure chart, sheet 1 of this drawing.
4. Conditions not covered by this drawing are subject to further engineering analysis.

TABLE OF CONTENTS	
SHEET#	DESCRIPTION
1	Typical elevations, design pressures & general notes
2	Door panel details (lip lite insert glazing)
3	Horizontal cross sections
4	Vertical cross sections
5	Frame anchoring



Documents Prepared By: Lyndon F. Schmidt, P.E.  
TEXAS P.E. #104123

**RW** BUILDING CONSULTANTS, INC.  
P.O. Box 230 Valrico FL 35595  
Phone No.: 813.659.9197

TEXAS BOARD OF PROFESSIONAL ENGINEERS  
CERTIFICATE OF REGISTRATION # F-11852

PRODUCT: ENDURA

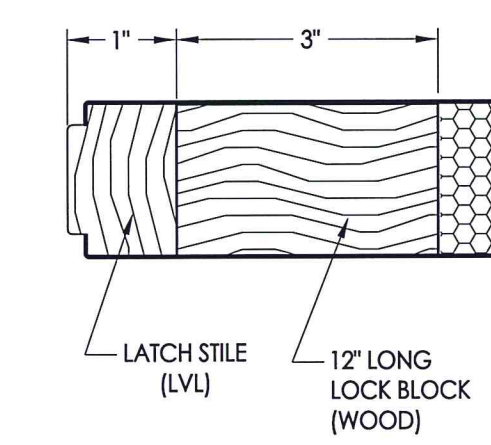
PART OR ASSEMBLY:  
TYPICAL ELEVATION, DESIGN PRESSURES & GENERAL NOTES

CONFIG.	SURFACE BOLTS	MODEL	DESIGN PRESSURE (PSF)	
			POSITIVE	NEGATIVE
X	NO	IN SWING	+35.0	-35.0
		OUT SWING	+30.0	-30.0
	YES	OUT SWING	+35.0	-35.0

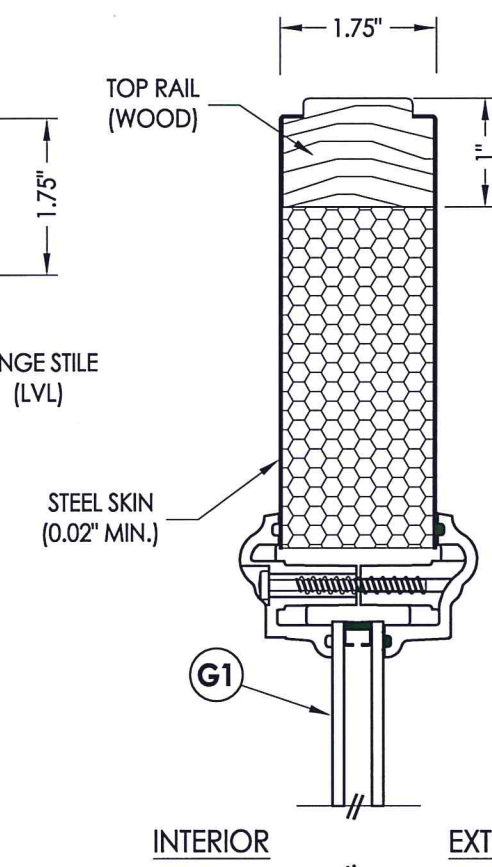
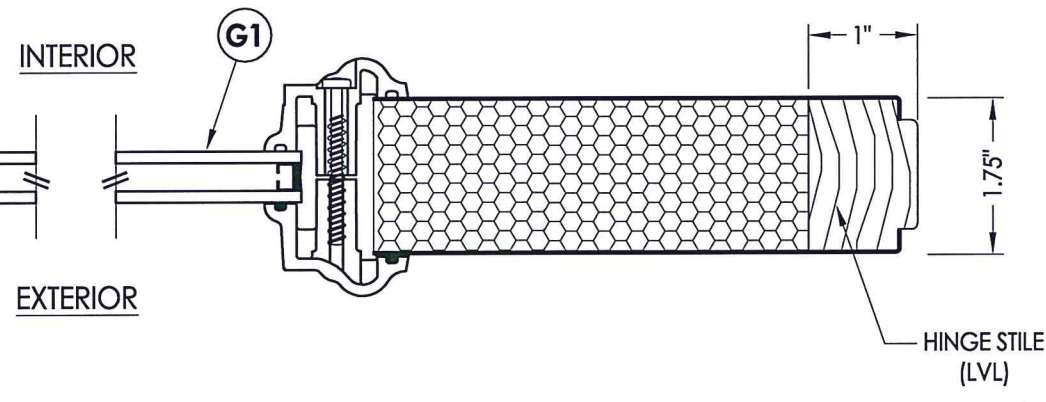
NO.	DATE	ADDED THRESHOLDS/REVISE D.P.	LFS	BY
1	11/01/16			

REVISIONS

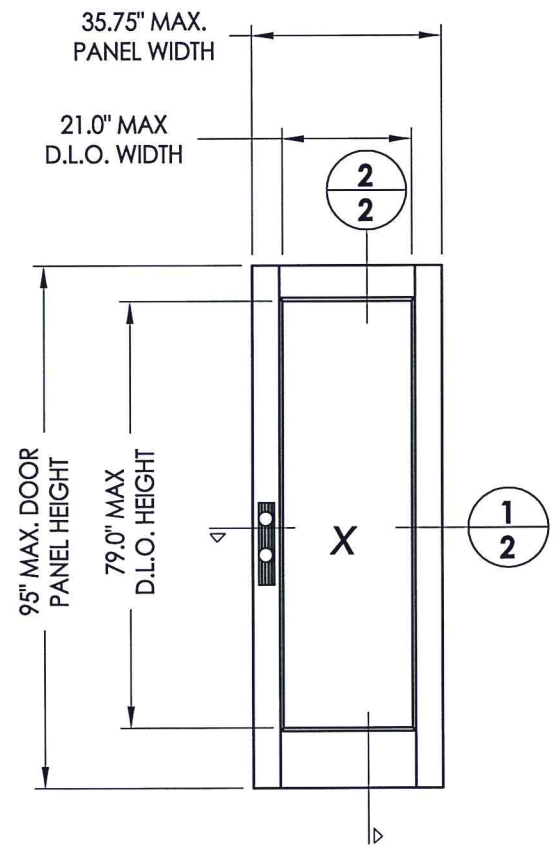
DATE: 1/13/14  
SCALE: N.T.S.  
DWG. BY: JK  
CHK. BY: LFS  
DRAWING NO.: TX-4431  
SHEET 1 OF 5



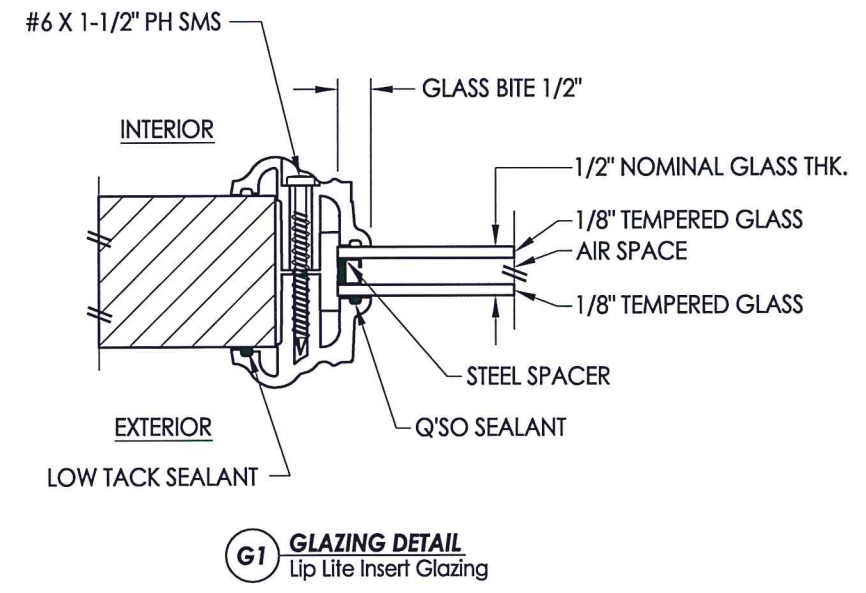
**1**  
**2** **HORIZONTAL CROSS SECTION**



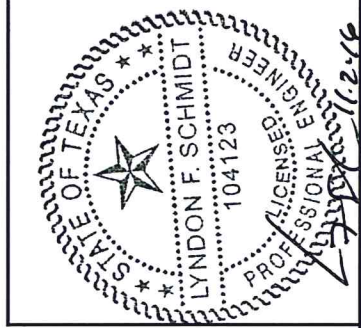
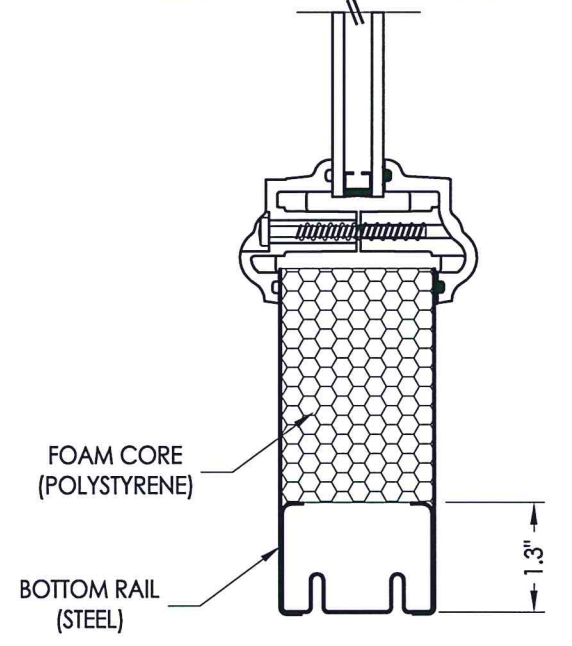
**2**  
**2** **VERTICAL CROSS SECTION**



JELD-WEN  
Insert Glazed  
(steel)



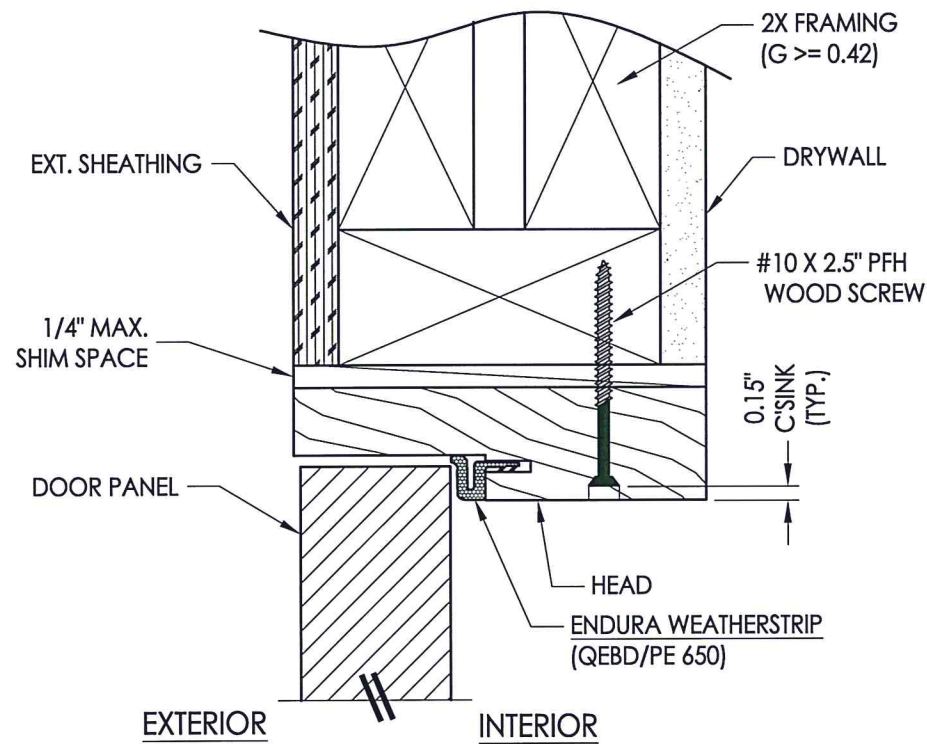
**G1** **GLAZING DETAIL**  
Lip Life Insert Glazing



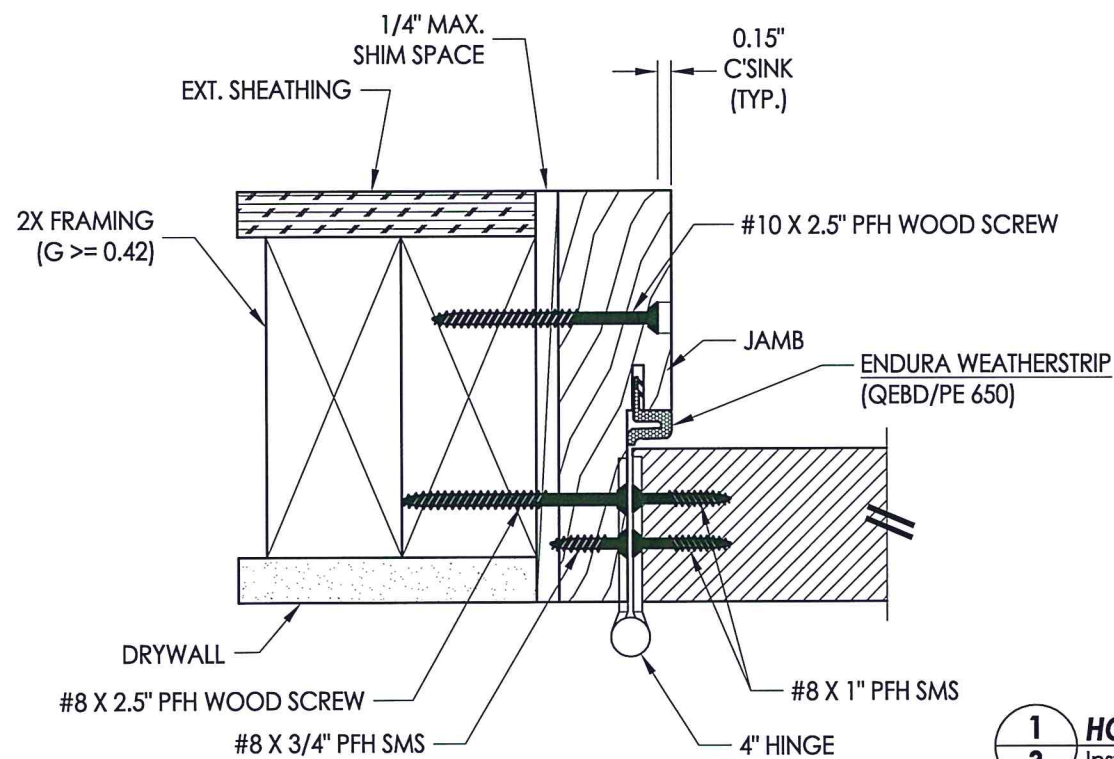
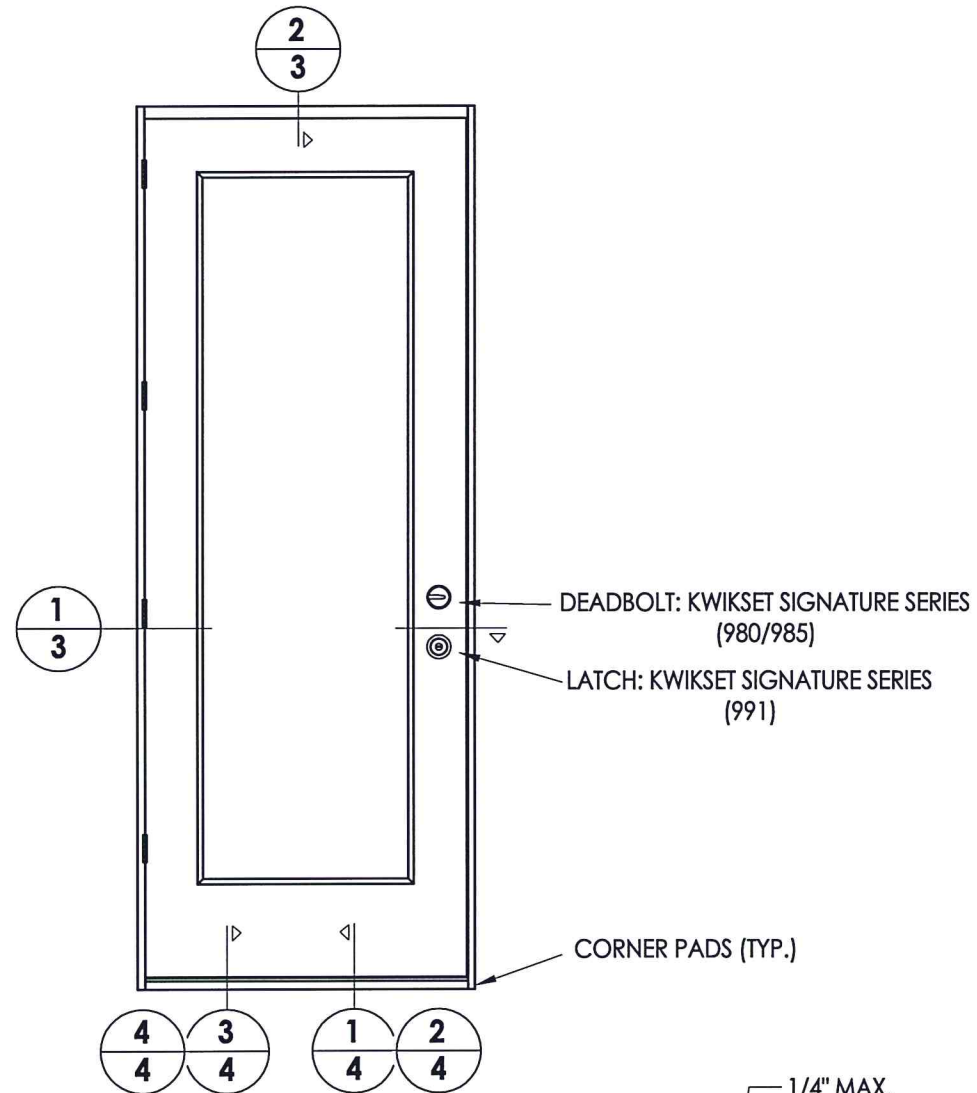
Documents Prepared By: Lyndon F. Schmidt, P.E.  
TEXAS P.E. #104123

**RW** BUILDING CONSULTANTS, INC.  
P.O. Box 230 Valrico FL 33595  
Phone No.: 813.659.9197  
TEXAS BOARD OF PROFESSIONAL ENGINEERS  
CERTIFICATE OF REGISTRATION # F-11852

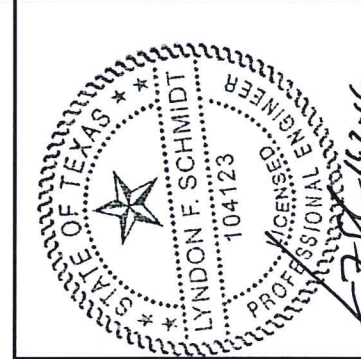
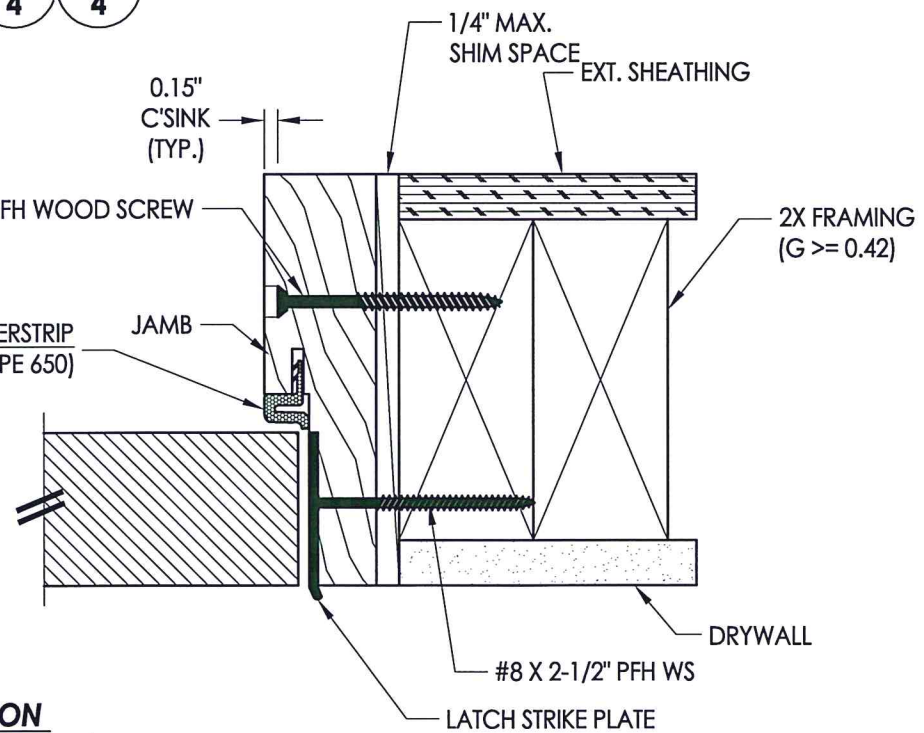
PRODUCT: ENDURA	
PART OR ASSEMBLY: DOOR PANEL DETAILS (LIP LIFE INSERT GLAZING)	
NO.	DATE
1	11/01/16
ADDED THRESHOLDS/REVISE D.P.	
LFS	BY
REVISIONS	
DATE: 1/13/14	
SCALE: N.T.S.	
DWG. BY: JK	
CHK. BY: LFS	
DRAWING NO.: TX-4431	
SHEET 2 OF 5	



**2** VERTICAL CROSS SECTION  
**3** Outswing shown - inswing also approved



**1** HORIZONTAL CROSS SECTION  
**3** Inswing shown - Outswing also approved



Documents Prepared By: Lyndon F. Schmidt, P.E.  
 TEXAS P.E. #104123

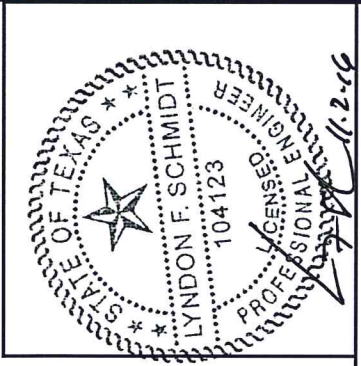
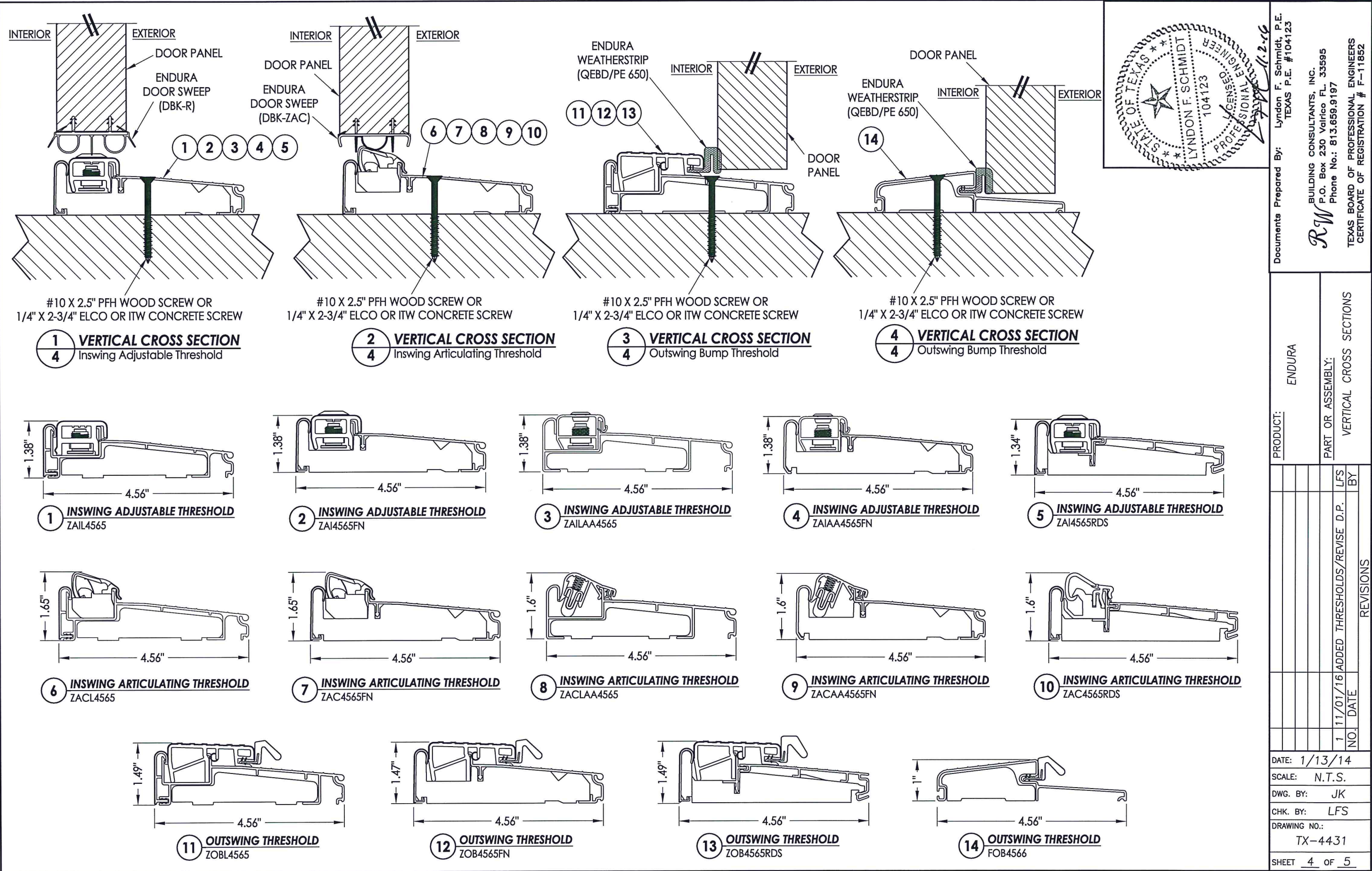
**RW** BUILDING CONSULTANTS, INC.  
 P.O. Box 230 Valrico FL 33595  
 Phone No.: 813.659.9197

TEXAS BOARD OF PROFESSIONAL ENGINEERS  
 CERTIFICATE OF REGISTRATION # F-11852

PRODUCT:	ENDURA
PART OR ASSEMBLY:	HORIZONTAL CROSS SECTIONS

NO.	DATE	ADDED THRESHOLDS/REVISE D.P.	LFS	BY
1	11/01/16			

DATE:	1/13/14
SCALE:	N.T.S.
DWG. BY:	JK
CHK. BY:	LFS
DRAWING NO.:	TX-4431
SHEET	3 OF 5



Documents Prepared By: Lyndon F. Schmidt, P.E.  
TEXAS P.E. #104123

**RW** BUILDING CONSULTANTS, INC.  
P.O. Box 230 Valrico FL 33595  
Phone No.: 813.659.9197

TEXAS BOARD OF PROFESSIONAL ENGINEERS  
CERTIFICATE OF REGISTRATION # F-11852

PRODUCT:	ENDURA
PART OR ASSEMBLY:	VERTICAL CROSS SECTIONS
DATE:	1/13/14
SCALE:	N.T.S.
DWG. BY:	JK
CHK. BY:	LFS
DRAWING NO.:	TX-4431
SHEET	4 OF 5

