

plastpro

5200 W. CENTURY BLVD.
LOS ANGELES, CA 90045

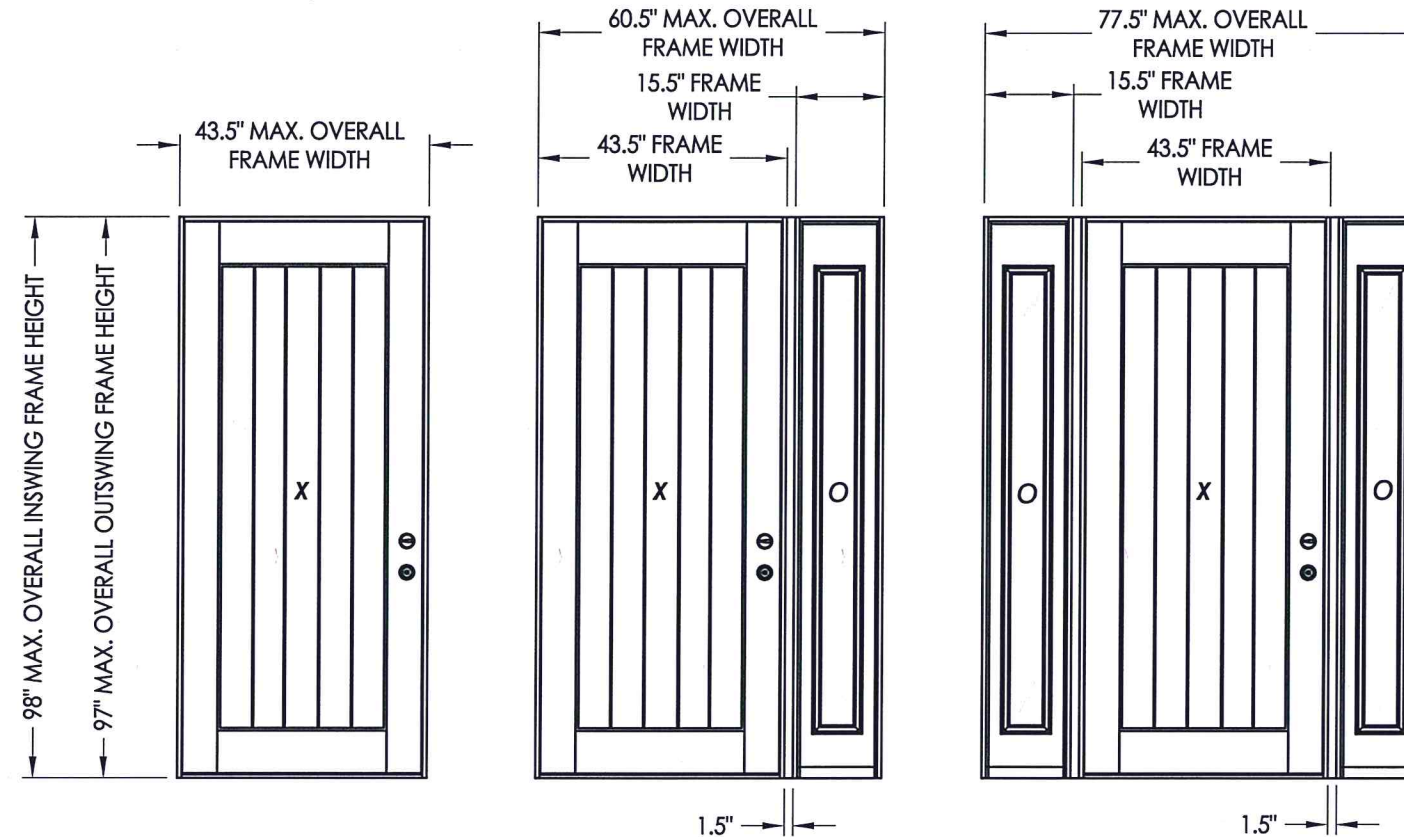
RUSTIC/MAHOGANY SERIES FIBERGLASS SINGLE DOORS w/ or w/o SIDELITES INSWING / OUTSWING "IMPACT"

EVALUATED FOR USE IN THE STATE OF TEXAS

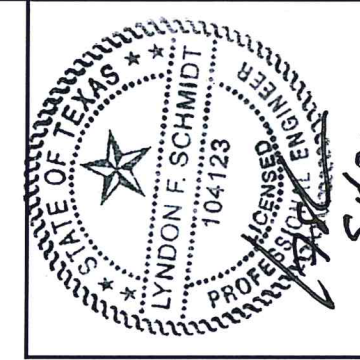
The Fiberglass Door system described herein complies with the 2018 International Residential Code (IRC), Sections R301 & R609 and the 2018 International Building Code (IBC), Sections 1404.13, 1609, 1709.5, 2403 and 2404 subject to the following conditions:

1. Anchors shall be as listed and spaced as shown in the details. Anchor embedment to base material shall be beyond wall dressing or stucco.
2. This system has been tested and evaluated as a large missile impact protective system for installation in areas that require wind borne debris protection. This product meets missile level "D" as defined in ASTM E 1996.
3. Allowable design pressure requirements must be equal to or less than the design pressure rating shown in the design pressure chart, sheet 1 of this drawing.
4. Conditions not covered by this drawing are subject to further engineering analysis.

TABLE OF CONTENTS	
SHEET#	DESCRIPTION
1	Typical elevations, design pressures & general notes
2	Door panel details
3	Sidelite panel details
4	Elevations
5	Vertical cross sections
6	Horizontal cross sections
7	Frame anchoring & hardware details
8	Bill of materials and components



CONFIG.	MAX. FRAME DIMENSION	DESIGN PRESSURE (PSF) INSWING		DESIGN PRESSURE (PSF) OUTSWING	
		POS.	NEG.	POS.	NEG.
X	43.5" x 98.0"				
OX / XO	60.5" x 98.0"	+55.0	-55.0	+55.0	-55.0
OXO	77.5" x 98.0"				

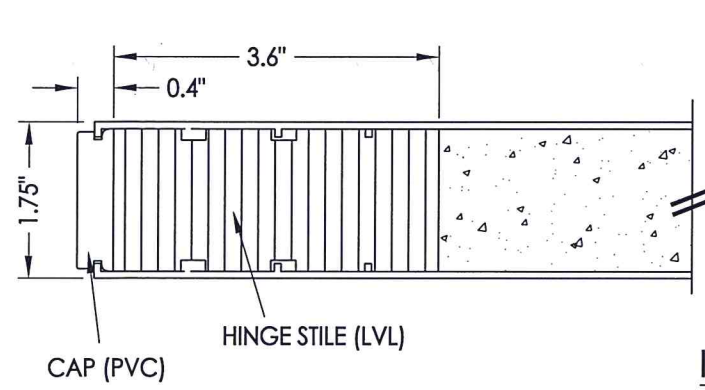


Documents Prepared By: Lyndon F. Schmidt, P.E.
TEXAS P.E. #104123

RW BUILDING CONSULTANTS, INC.
P.O. Box 230 Valrico FL 33595
Phone No.: 813.659.9197

TEXAS BOARD OF PROFESSIONAL ENGINEERS
CERTIFICATE OF REGISTRATION # F-11852

PRODUCT:	PLASTPRO FIBERGLASS DOOR
PART OR ASSEMBLY:	TYPICAL ELEVATION DESIGN PRESSURES & GENERAL NOTES
DATE	11/13/14
SCALE	N.T.S.
DWG. BY:	JK
CHK. BY:	LFS
DRAWING NO.:	TX-4482
SHEET	1 OF 8



EXTERIOR

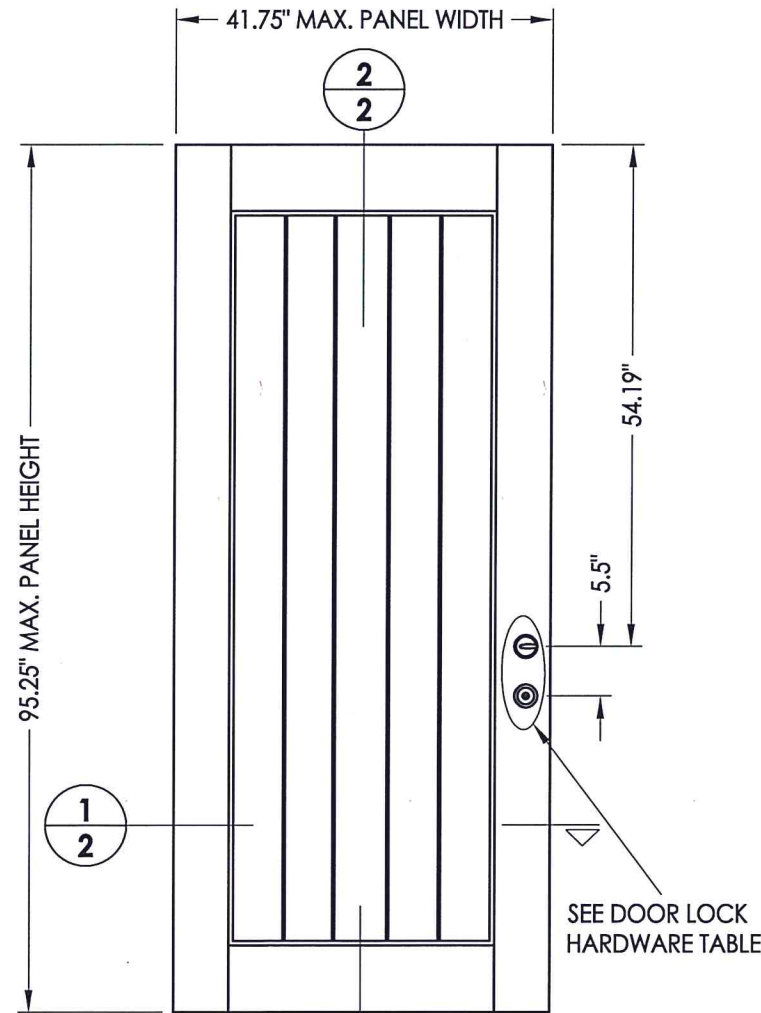
INTERIOR

STEEL REINFORCEMENT
0.135" X 1.4"

LATCH STILE (LVL)

CAP (PVC)

1
2 **HORIZONTAL CROSS SECTION**

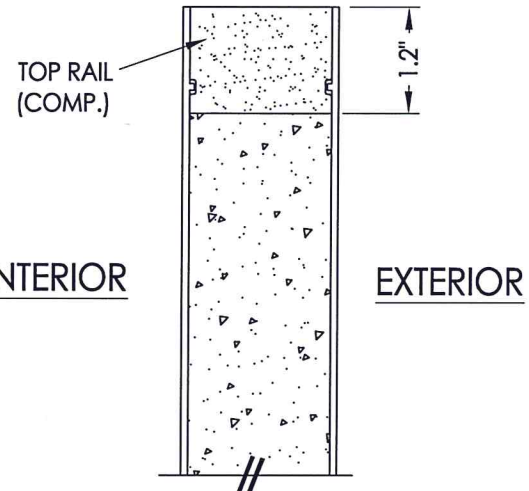


40 **DOOR PANEL**
Rustic/Mahogany Series

SEE DOOR LOCK
HARDWARE TABLE

DOOR LOCK HARDWARE TABLE	
MANUFACTURER	MODEL
KWIKSET	KNOB: KWIKSET SERIES (400) DEADBOLT: KWIKSET SERIES (660)

FIBERGLASS DOOR SKIN: MIN. 0.100" THK.
CORE MATERIAL: POLYURETHANE FOAM (1.9 PCF MIN.)



INTERIOR

EXTERIOR

FOAM CORE

FIBERGLASS SKIN

BOTTOM RAIL
(COMP.)

2
2 **VERTICAL CROSS SECTION**



Documents Prepared By: Lyndon F. Schmidt, P.E.
TEXAS P.E. #104123

RW BUILDING CONSULTANTS, INC.
P.O. Box 230 Valrico FL 33595
Phone No.: 813.659.9197

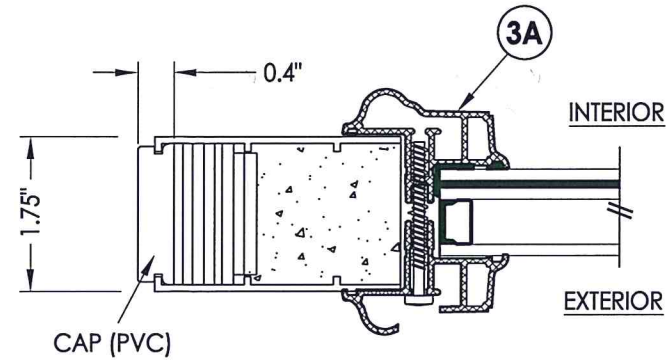
TEXAS BOARD OF PROFESSIONAL ENGINEERS
CERTIFICATE OF REGISTRATION # F-11852

PRODUCT: PLASTPRO
FIBERGLASS DOOR

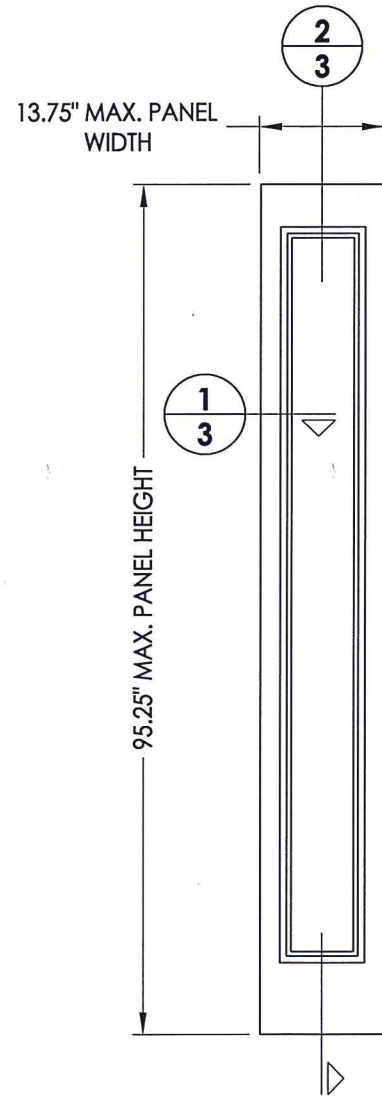
PART OR ASSEMBLY:
DOOR
PANEL DETAILS

NO.	DATE	DESCRIPTION	BY
1	5/04/20	UPDATE TO 2018 IBC/IRC CODE	LFS
		REVISIONS	

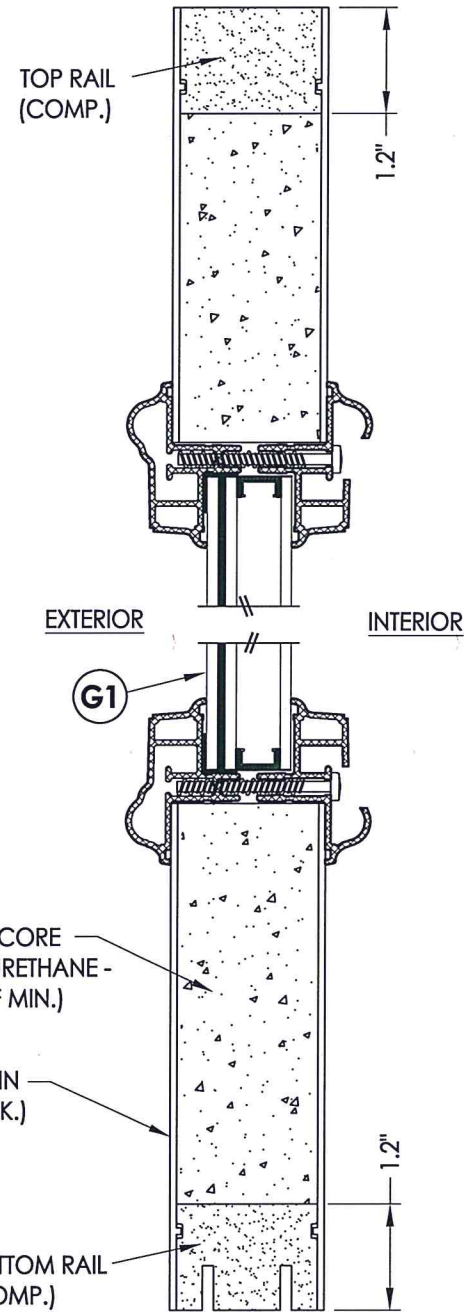
DATE: 11/13/14
SCALE: N.T.S.
DWG. BY: JK
CHK. BY: LFS
DRAWING NO.: TX-4482
SHEET 2 OF 8



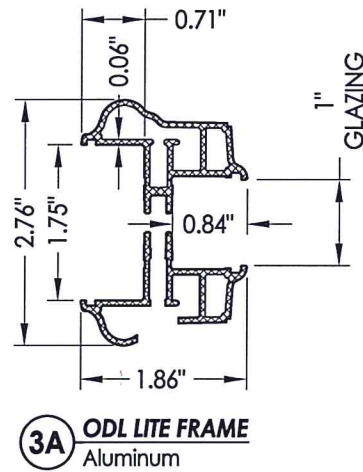
1
3 **HORIZONTAL CROSS SECTION**



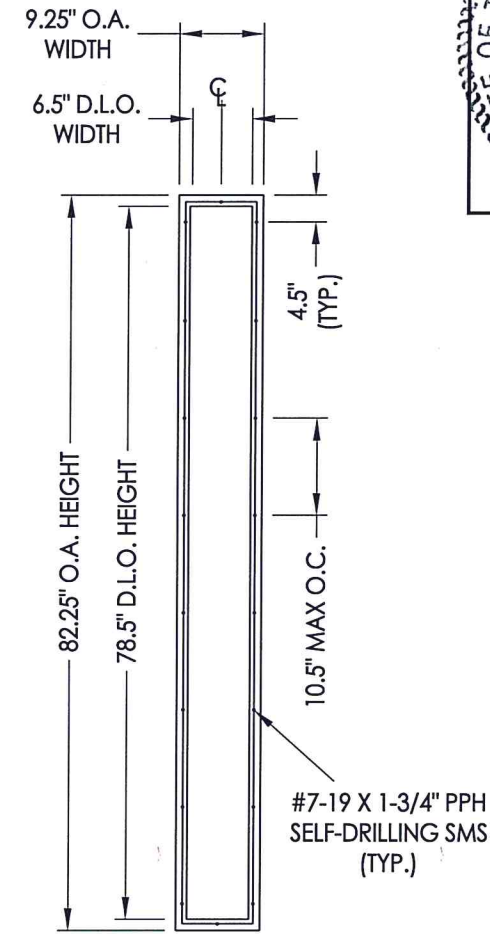
50 **PLASTPRO SIDELITE PANEL**



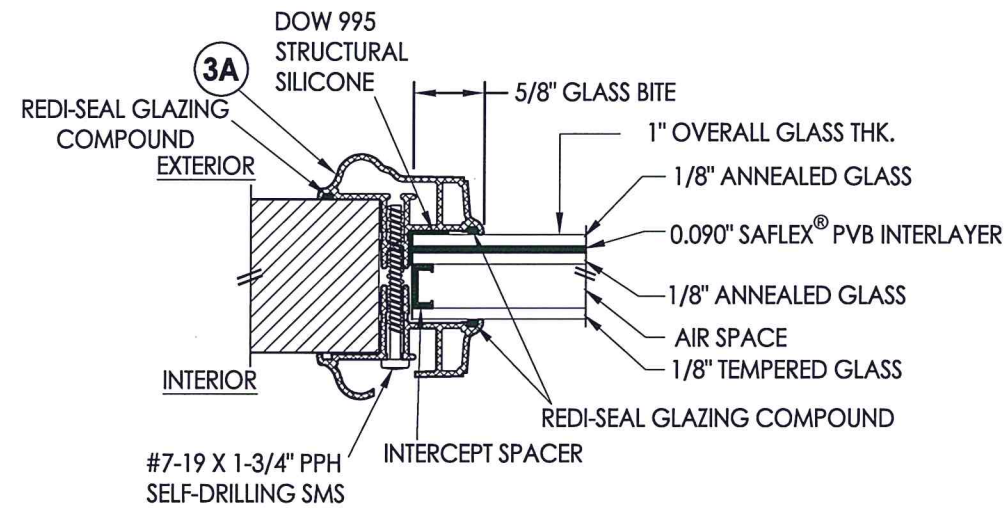
2
3 **VERTICAL CROSS SECTION**



3A **ODL LITE FRAME**
Aluminum



ODL LITE FRAME



G1 **GLAZING DETAIL**
ODL Life frame

FIBERGLASS DOOR SKIN: MIN. 0.100" THK.
CORE MATERIAL: POLYURETHANE FOAM (1.9 PCF MIN.)

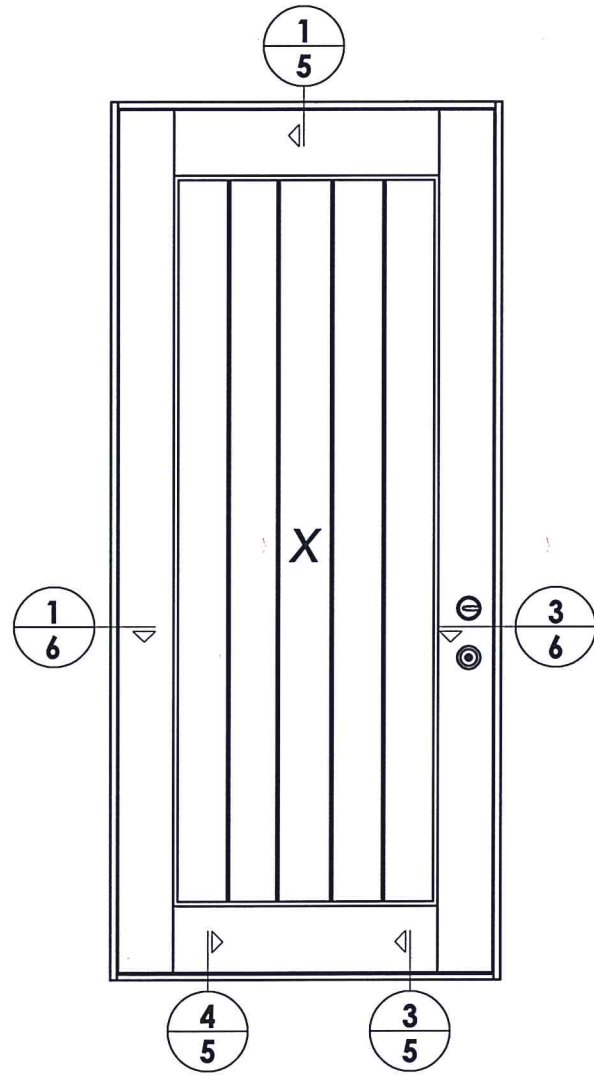


Documents Prepared By: Lyndon F. Schmidt, P.E.
TEXAS P.E. #104123

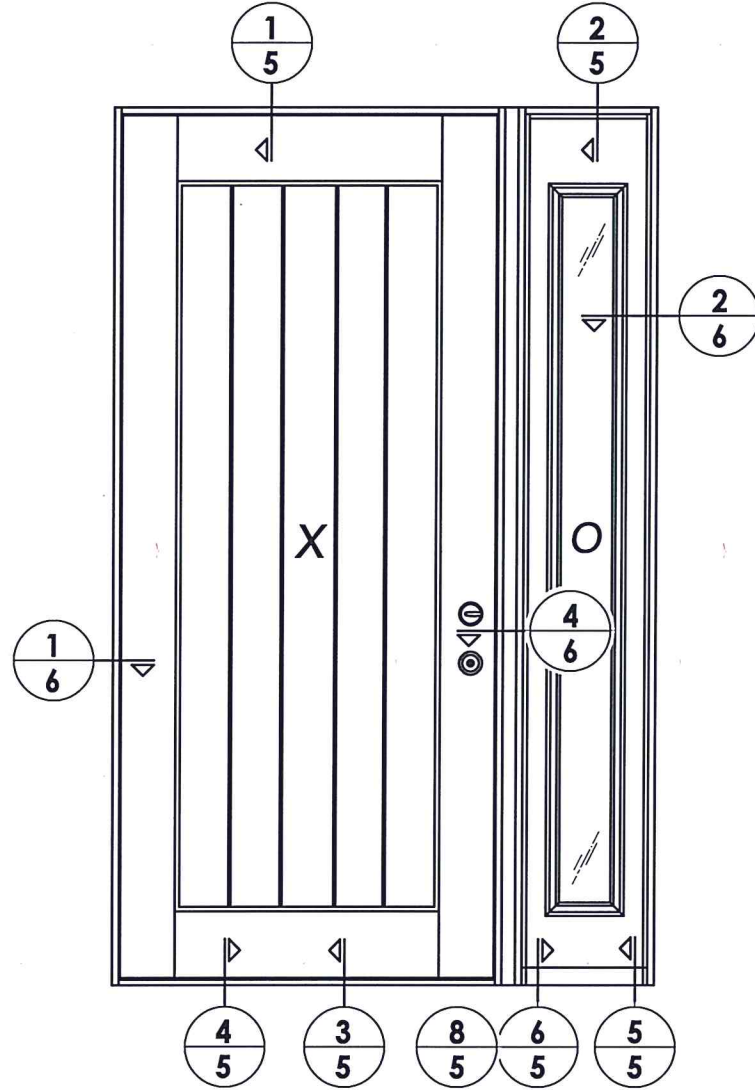
RW BUILDING CONSULTANTS, INC.
P.O. Box 250 Valrico FL 33595
Phone No.: 813.659.9197

TEXAS BOARD OF PROFESSIONAL ENGINEERS
CERTIFICATE OF REGISTRATION # F-11852

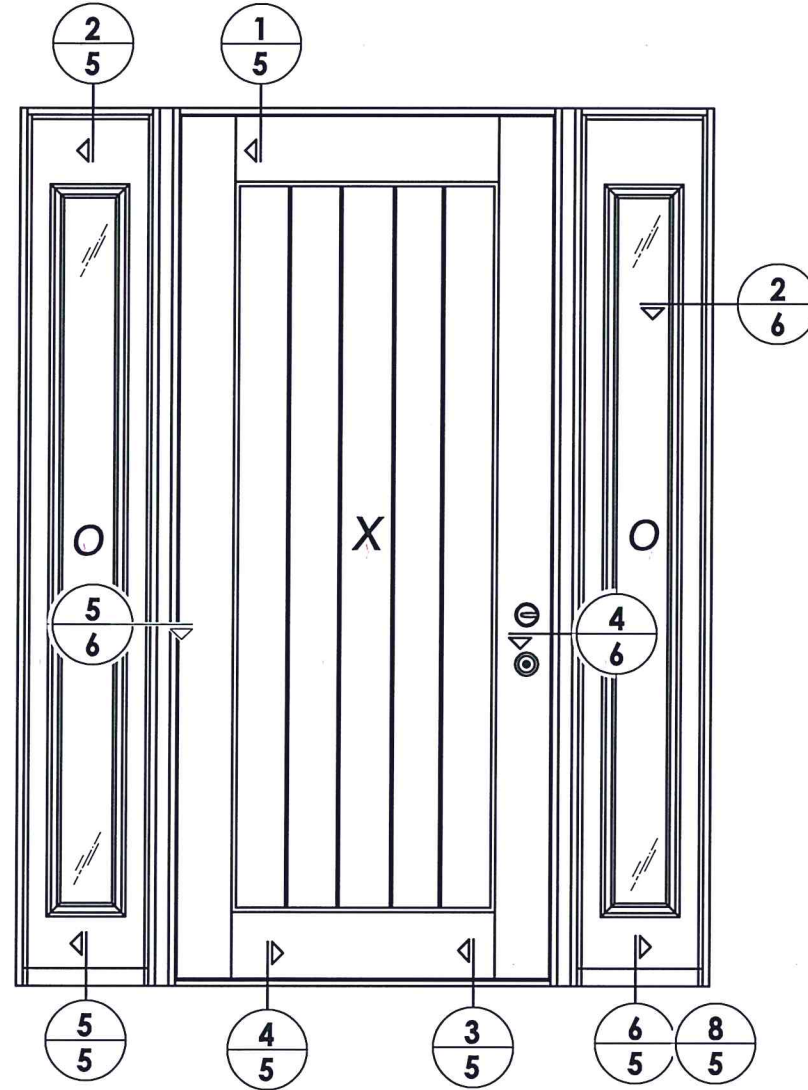
PRODUCT:		PLASTPRO FIBERGLASS DOOR	
PART OR ASSEMBLY:		SIDELITE PANEL DETAILS	
NO.	DATE	UPDATE TO 2018 IBC/IRC CODE	BY
1	5/04/20		LFS
REVISIONS			
DATE: 11/13/14			
SCALE: N.T.S.			
DWG. BY: JK			
CHK. BY: LFS			
DRAWING NO.: TX-4482			
SHEET 3 OF 8			



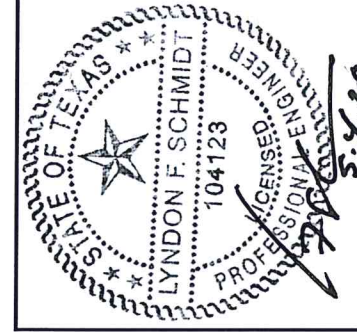
ELEVATION
X



ELEVATION
XO / OX



ELEVATION
OXO

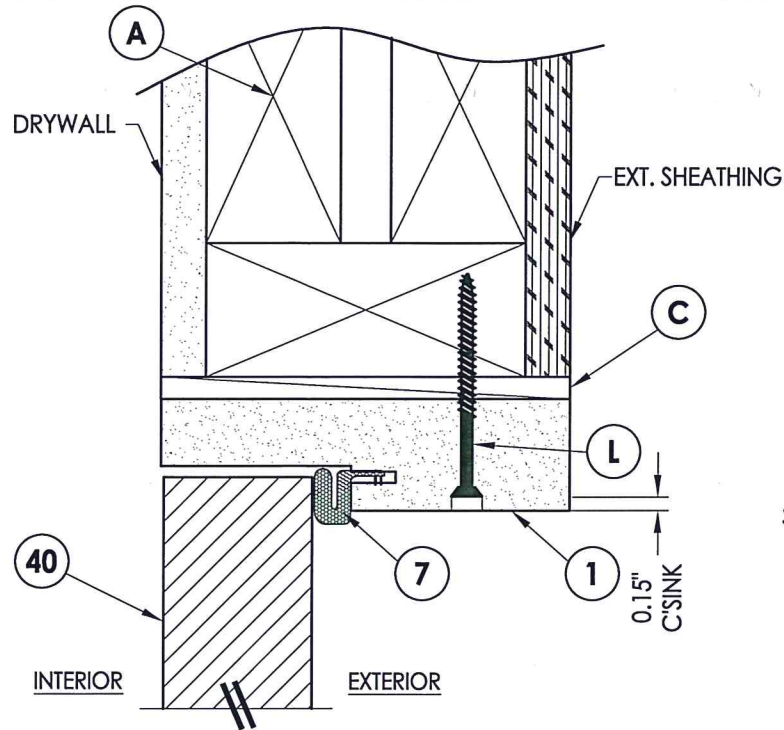


Documents Prepared By: Lyndon F. Schmidt, P.E.
TEXAS P.E. #104123

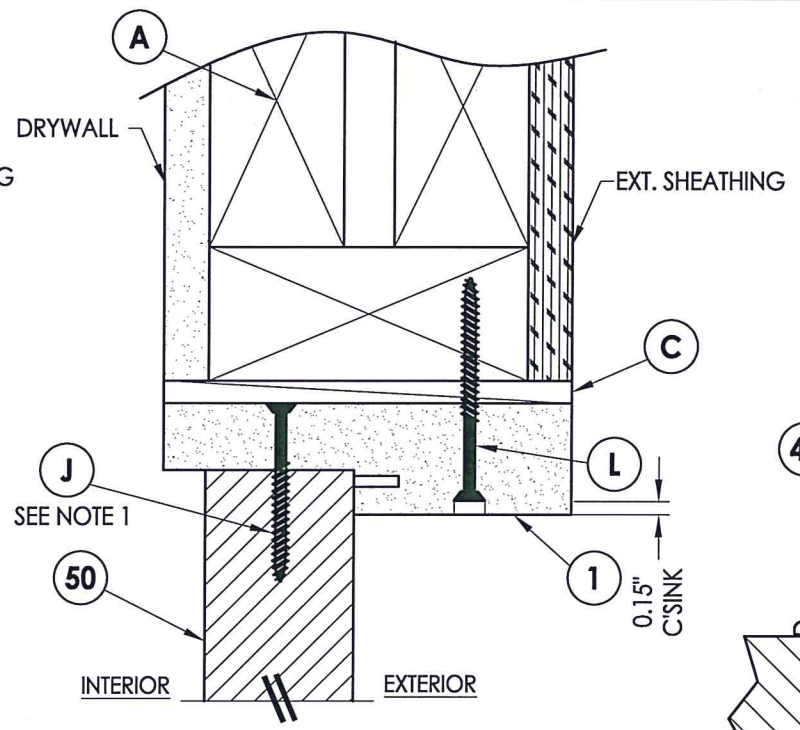
RW BUILDING CONSULTANTS, INC.
P.O. Box 230 Valrico FL 33595
Phone No.: 813.659.9197

TEXAS BOARD OF PROFESSIONAL ENGINEERS
CERTIFICATE OF REGISTRATION # F-11852

PRODUCT: PLASTPRO FIBERGLASS DOOR	
PART OR ASSEMBLY: ELEVATIONS	
NO.	DATE
1	5/04/20
UPDATE TO 2018 IBC/IRC CODE	
LFS	BY
REVISIONS	
DATE: 11/13/14	
SCALE: N.T.S.	
DWG. BY: JK	
CHK. BY: LFS	
DRAWING NO.: TX-4482	
SHEET 4 OF 8	

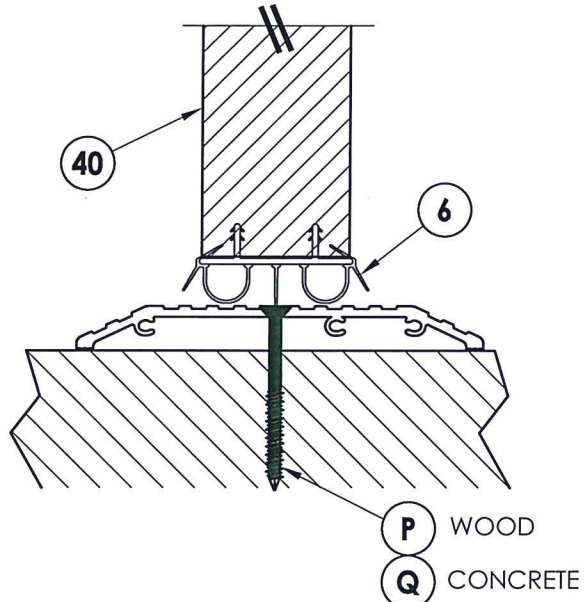


1 VERTICAL CROSS SECTION
5 Inswing shown (Outswing similar)

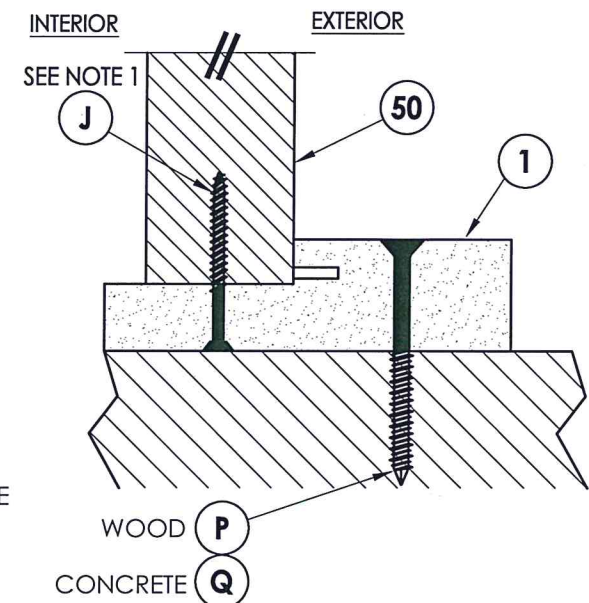


2 VERTICAL CROSS SECTION
5 Inswing shown (Outswing similar)

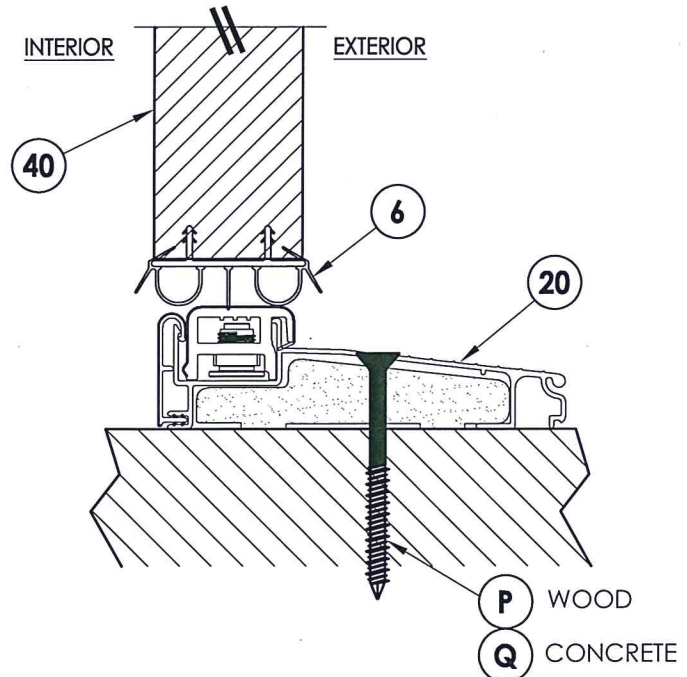
NOTE:
1. Spacing for sidelite to frame screws @ head & sill: 3" from each end (2 total).



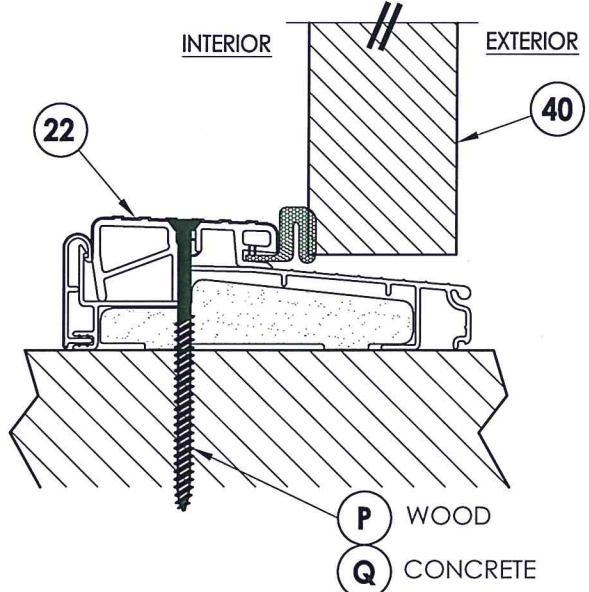
7 VERTICAL CROSS SECTION
5 ADA sill



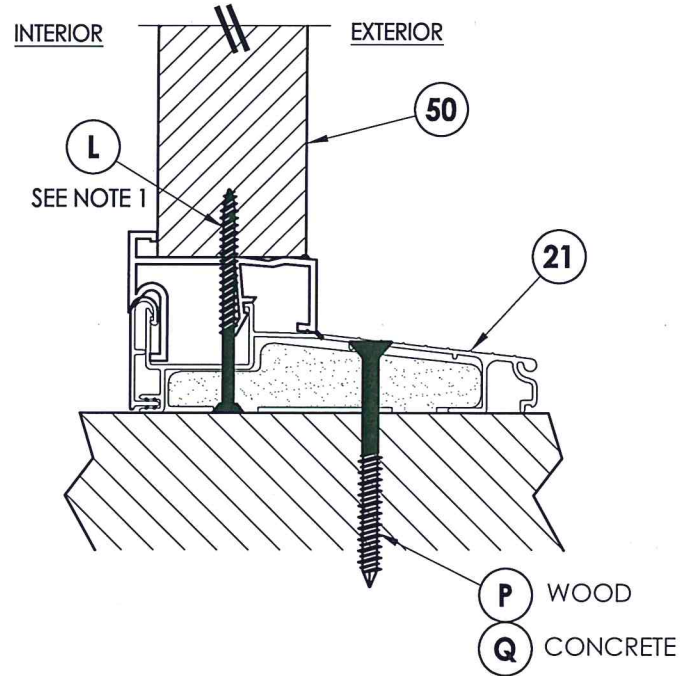
8 VERTICAL CROSS SECTION
5 Inswing shown (Outswing similar)



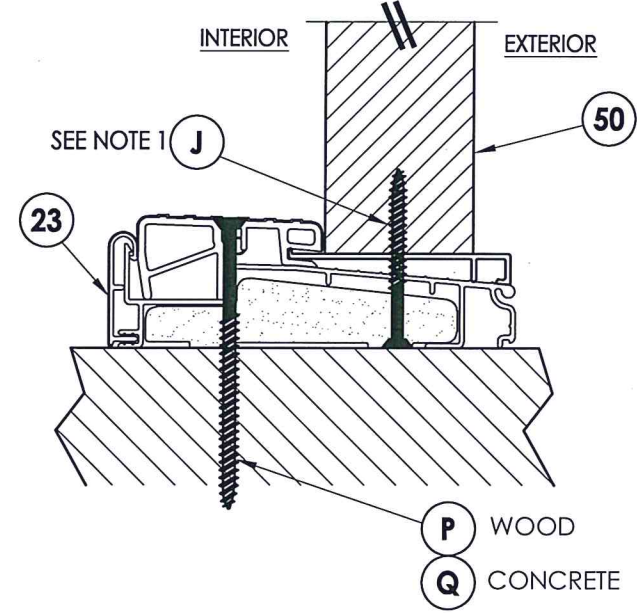
3 VERTICAL CROSS SECTION
5 Inswing sill



4 VERTICAL CROSS SECTION
5 Outswing sill



5 VERTICAL CROSS SECTION
5 Inswing sill



6 VERTICAL CROSS SECTION
5 Outswing sill

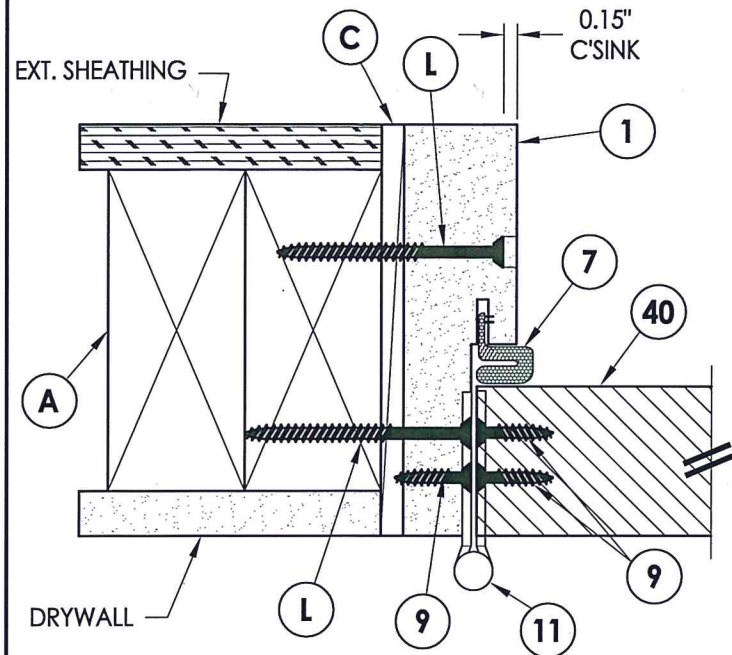


Documents Prepared By: Lyndon F. Schmidt, P.E.
TEXAS P.E. #104123

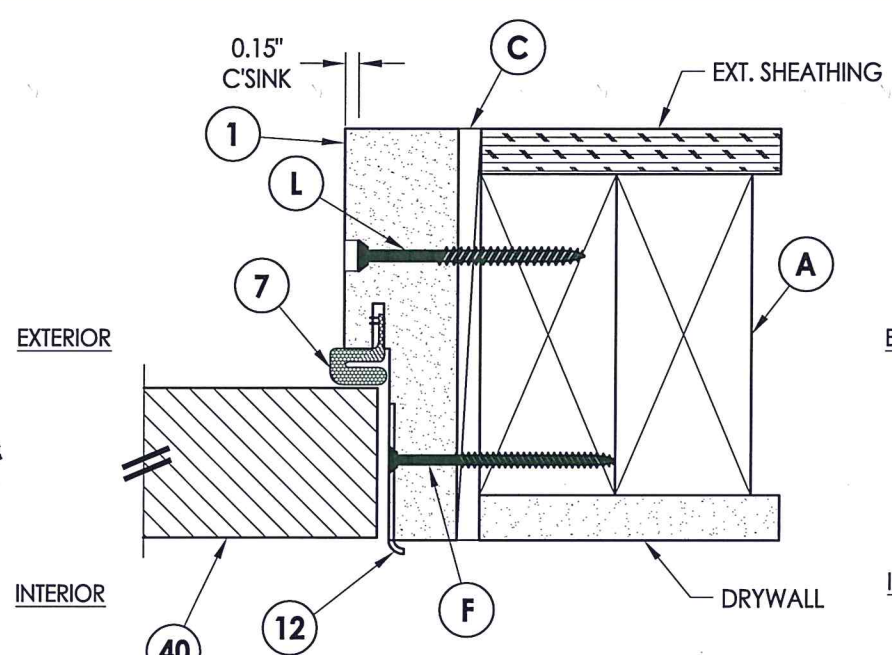
RW BUILDING CONSULTANTS, INC.
P.O. Box 230 Valrico FL 33595
Phone No.: 813.659.9197

TEXAS BOARD OF PROFESSIONAL ENGINEERS
CERTIFICATE OF REGISTRATION # F-11852

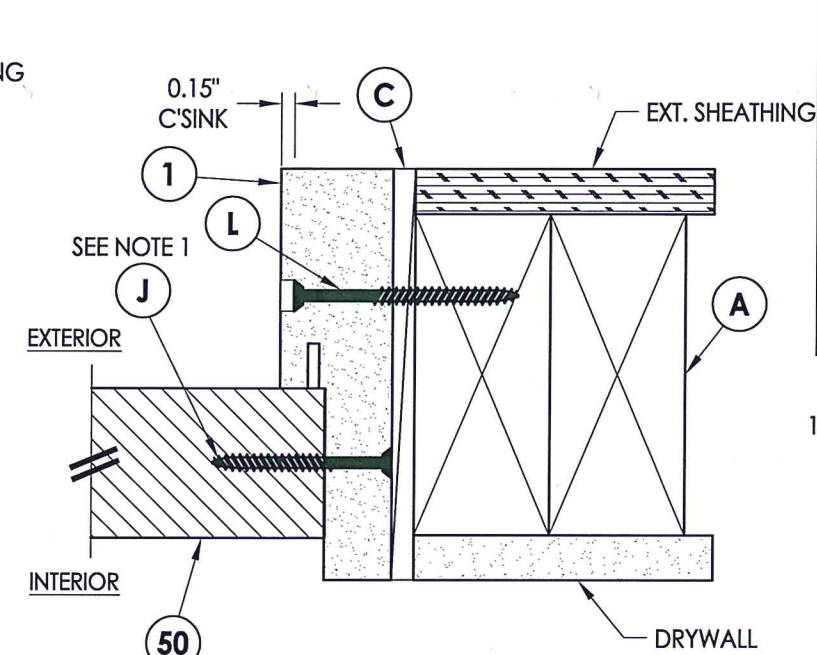
PRODUCT:	PLASTPRO FIBERGLASS DOOR
PART OR ASSEMBLY:	VERTICAL CROSS SECTIONS
DATE:	11/13/14
SCALE:	N.T.S.
DWG. BY:	JK
CHK. BY:	LFS
DRAWING NO.:	TX-4482
SHEET	5 OF 8
NO.	1
DATE	5/04/20
UPDATE TO	2018 IBC/IRC CODE
LFS	BY
REVISIONS	



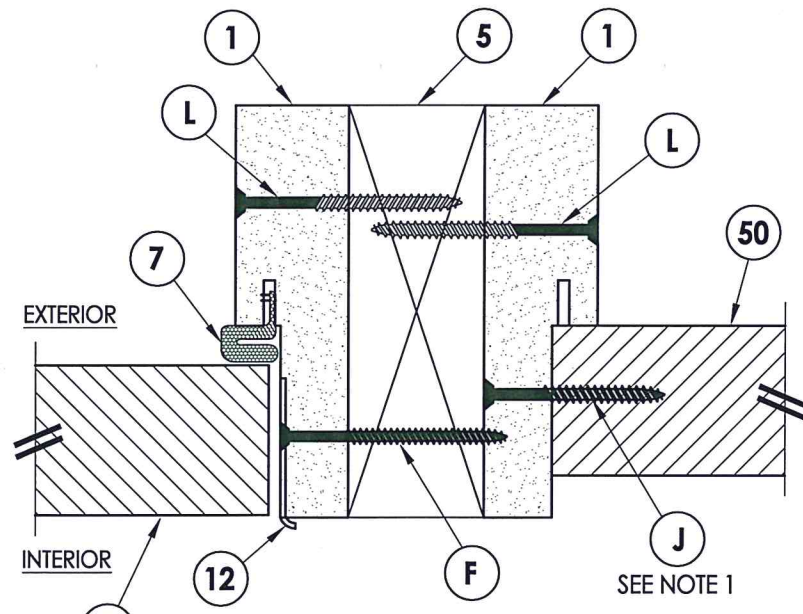
1
6 **HORIZONTAL CROSS SECTION**
Inswing shown (Outswing similar)



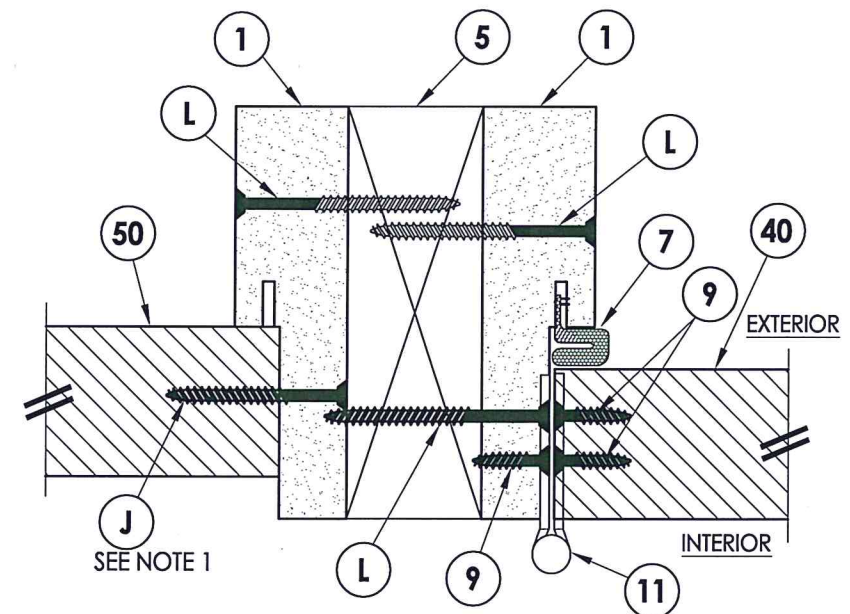
3
6 **HORIZONTAL CROSS SECTION**
Inswing shown (Outswing similar)



2
6 **HORIZONTAL CROSS SECTION**
Inswing shown (Outswing similar)



4
6 **HORIZONTAL CROSS SECTION**
Inswing shown (Outswing similar)



5
6 **HORIZONTAL CROSS SECTION**
Inswing shown (Outswing similar)



NOTE:
1. Spacing for sidelite to frame screws: 6" from each end and 5 more equally spaced along sidelite jamb (7 total).

Documents Prepared By: Lyndon F. Schmidt, P.E.
TEXAS P.E. #104123

RW BUILDING CONSULTANTS, INC.
P.O. Box 230 Valrico FL 33595
Phone No.: 813.659.9197

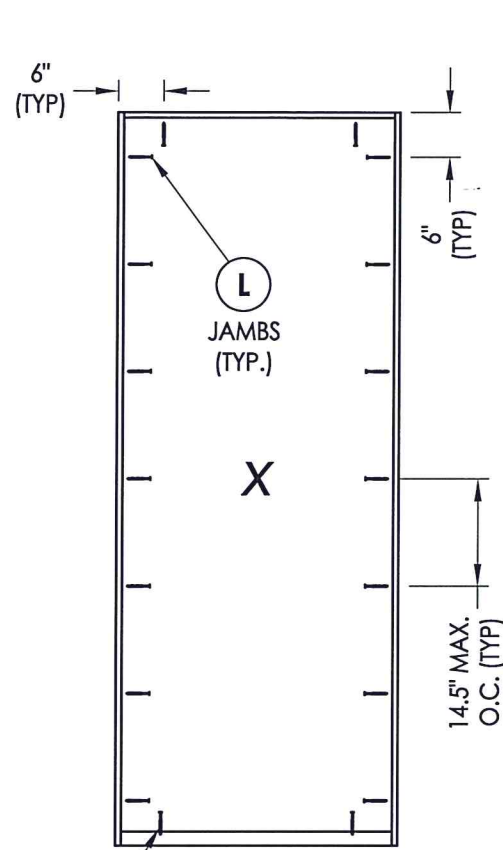
TEXAS BOARD OF PROFESSIONAL ENGINEERS
CERTIFICATE OF REGISTRATION # F-11852

PRODUCT: PLASTPRO FIBERGLASS DOOR

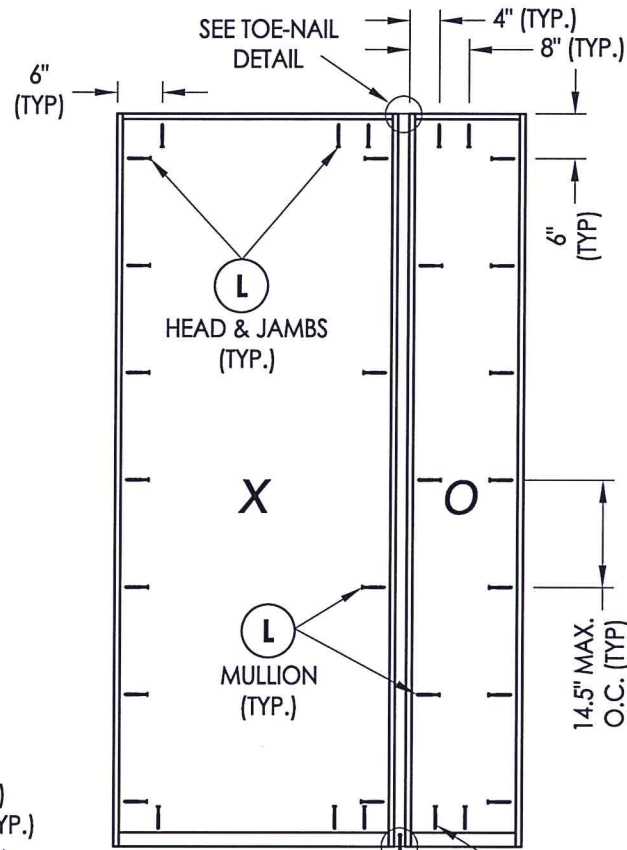
PART OR ASSEMBLY: HORIZONTAL CROSS SECTIONS

NO.	DATE	DESCRIPTION	BY
1	5/04/20	UPDATE TO 2018 IBC/IRC CODE	LFS

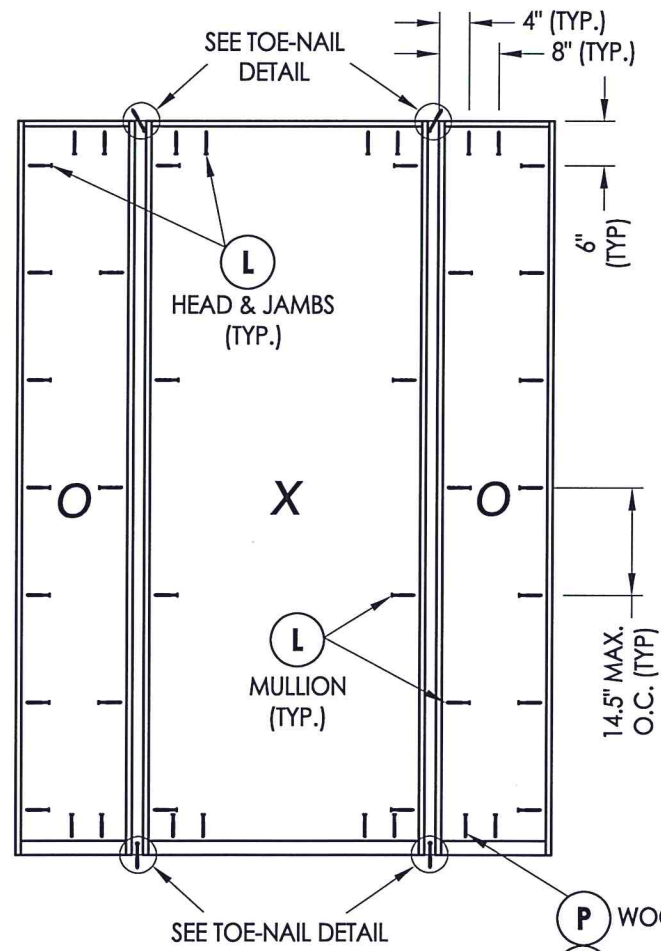
DATE: 11/13/14
SCALE: N.T.S.
DWG. BY: JK
CHK. BY: LFS
DRAWING NO.: TX-4482
SHEET 6 OF 8



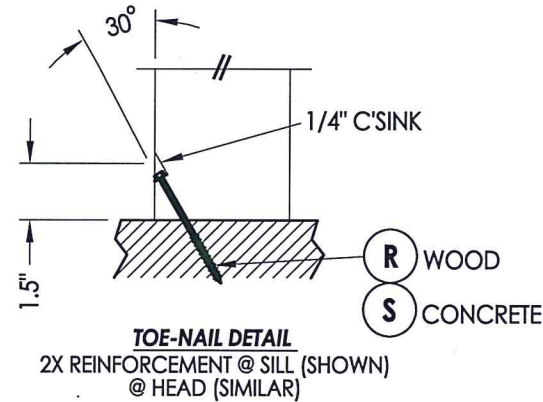
P WOOD
Q CONCRETE
SILL (TYP.)



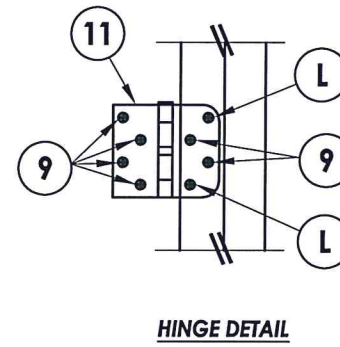
P WOOD
Q CONCRETE
SILL (TYP.)



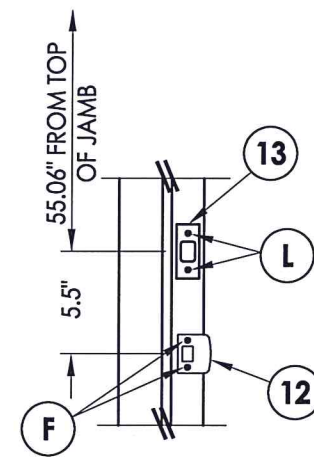
P WOOD
Q CONCRETE
SILL (TYP.)



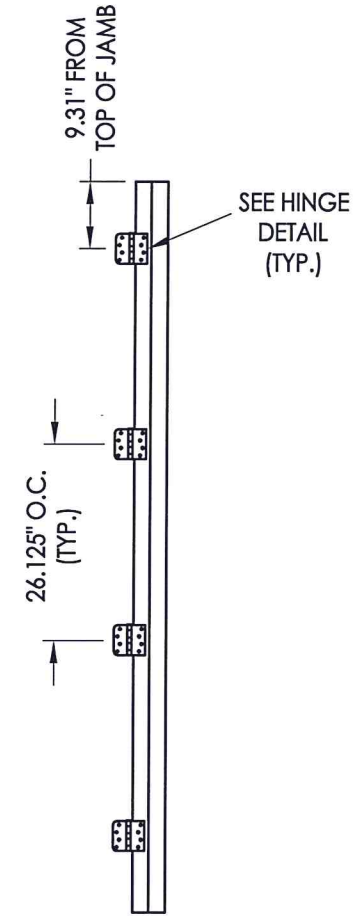
TOE-NAIL DETAIL
2X REINFORCEMENT @ SILL (SHOWN)
@ HEAD (SIMILAR)



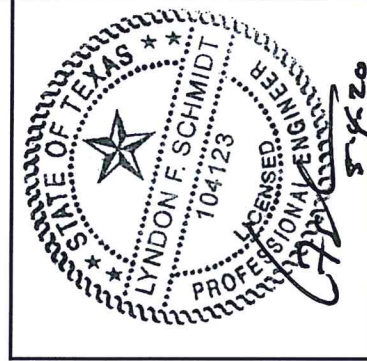
HINGE DETAIL



LATCH AND DEADBOLT DETAILS



HINGE JAMB



Documents Prepared By: Lyndon F. Schmidt, P.E.
TEXAS P.E. #104123

RW BUILDING CONSULTANTS, INC.
P.O. Box 230 Valrico FL 33595
Phone No.: 813.659.9197
TEXAS BOARD OF PROFESSIONAL ENGINEERS
CERTIFICATE OF REGISTRATION # F-11852

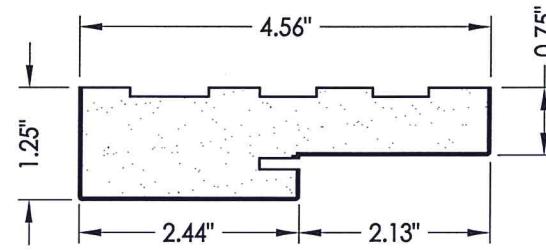
PRODUCT:	PLASTPRO FIBERGLASS DOOR
PART OR ASSEMBLY:	FRAME ANCHORING & HARDWARE DETAILS

NO.	DATE	DESCRIPTION	LFS	BY
1	5/04/20	UPDATE TO 2018 IBC/IRC CODE	LFS	

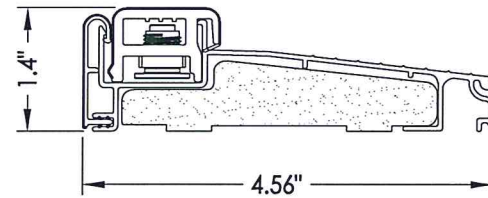
DATE:	11/13/14
SCALE:	N.T.S.
DWG. BY:	JK
CHK. BY:	LFS
DRAWING NO.:	TX-4482
SHEET	7 OF 8

BILL OF MATERIALS

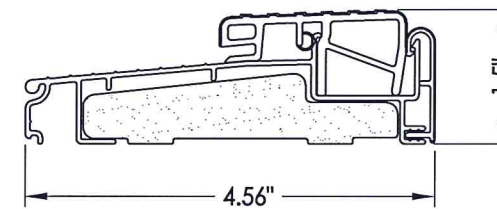
ITEM #	DESCRIPTION	MATERIAL
A	2X FRAMING (SG >= 0.42)	WOOD
C	1/4" MAX. SHIM SPACE	-
F	#8 X 2-1/2" PFH WOOD SCREW	STEEL
J	#10 X 2" PFH WOOD SCREW	STEEL
L	#10 X 2-1/2" PFH WOOD SCREW (1.15" MIN. EMB.)	STEEL
P	#10 PFH WOOD SCREW (1-1/2" MIN. EMB.)	STEEL
Q	1/4" PFH CONCRETE SCREW (1-3/4" MIN. EMB.)	STEEL
R	#10 X 3" HWH SMS (1-1/2" MIN. EMB.)	STEEL
S	3/16" X 3-1/4" HWH CONCRETE SCREW (1-1/2" MIN. EMB.)	STEEL
1	POLY FIBER JAMB	COMP.
5	2X WOOD REINFORCEMENT (SG >= 0.55)	WOOD
6	SWEEP	PVC
7	WEATHERSTRIP (ENDURA FORCE 5)	FOAM
8	WEATHERSTRIP (Q-LON)	FOAM
9	#10 x 1" PFH WOOD SCREW	STEEL
11	4" X 4" HINGE	STEEL
12	LATCH STRIKE PLATE	STEEL
13	DEADBOLT STRIKE PLATE	STEEL
20	INSWING THRESHOLD	ALUM/COMP
21	INSWING THRESHOLD w/ SIDELITE ADAPTER	ALUM/COMP
22	OUTSWING THRESHOLD	ALUM/COMP
23	OUTSWING THRESHOLD w/ SIDELITE ADAPTER	ALUM/COMP
24	ADA THRESHOLD	ALUM
40	DOOR PANEL	-
50	SIDELITE PANEL	-



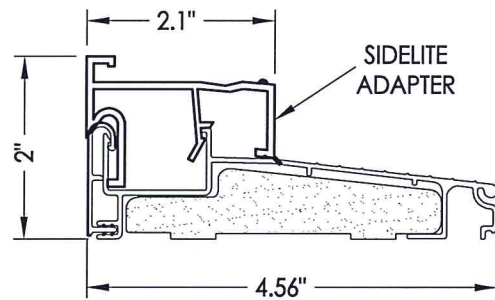
1 POLY FIBER JAMB



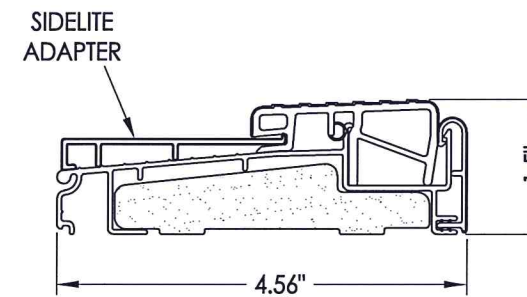
20 INSWING THRESHOLD
Endura (Z-Series)



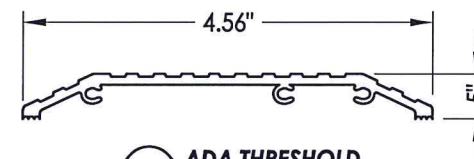
22 OUTSWING THRESHOLD
Endura (Z-Series)



21 INSWING THRESHOLD w/ SIDELITE ADAPTER
Endura (Z-Series)



23 OUTSWING THRESHOLD w/ SIDELITE ADAPTER
Endura (Z-Series)



24 ADA THRESHOLD
DLP

CONCRETE ANCHOR NOTES:

- Concrete anchor locations at the corners may be adjusted to maintain the min. edge distance to mortar joints.
- Concrete anchor locations noted as "MAX. ON CENTER" must be adjusted to maintain the min. edge distance to mortar joints, additional concrete anchors may be required to ensure the "MAX. ON CENTER" dimension are not exceeded.
- Concrete anchor table:

ANCHOR TYPE	ANCHOR SIZE	MIN. EMBEDMENT	MIN. CLEARANCE TO MASONRY EDGE	MIN. CLEARANCE TO ADJACENT ANCHOR
ITW TAPCON®	1/4"	1-3/4"	2"	4"
ELCO ULTRACON®	1/4"	1-3/4"	1"	4"



Documents Prepared By: Lyndon F. Schmidt, P.E.
TEXAS P.E. #104123

RW BUILDING CONSULTANTS, INC.
P.O. Box 230 Valrico FL, 33595
Phone No.: 813.659.9197

TEXAS BOARD OF PROFESSIONAL ENGINEERS
CERTIFICATE OF REGISTRATION # F-11852

PRODUCT: PLASTIPRO FIBERGLASS DOOR
PART OR ASSEMBLY: BILL OF MATERIALS & COMPONENTS

NO.	DATE	DESCRIPTION	LFS	BY
1	5/04/20	UPDATE TO 2018 IBC/IRC CODE		

REVISIONS

DATE: 11/13/14
SCALE: N.T.S.
DWG. BY: JK
CHK. BY: LFS
DRAWING NO.: TX-4482
SHEET 8 OF 8