



Glazed Fiberglass Door

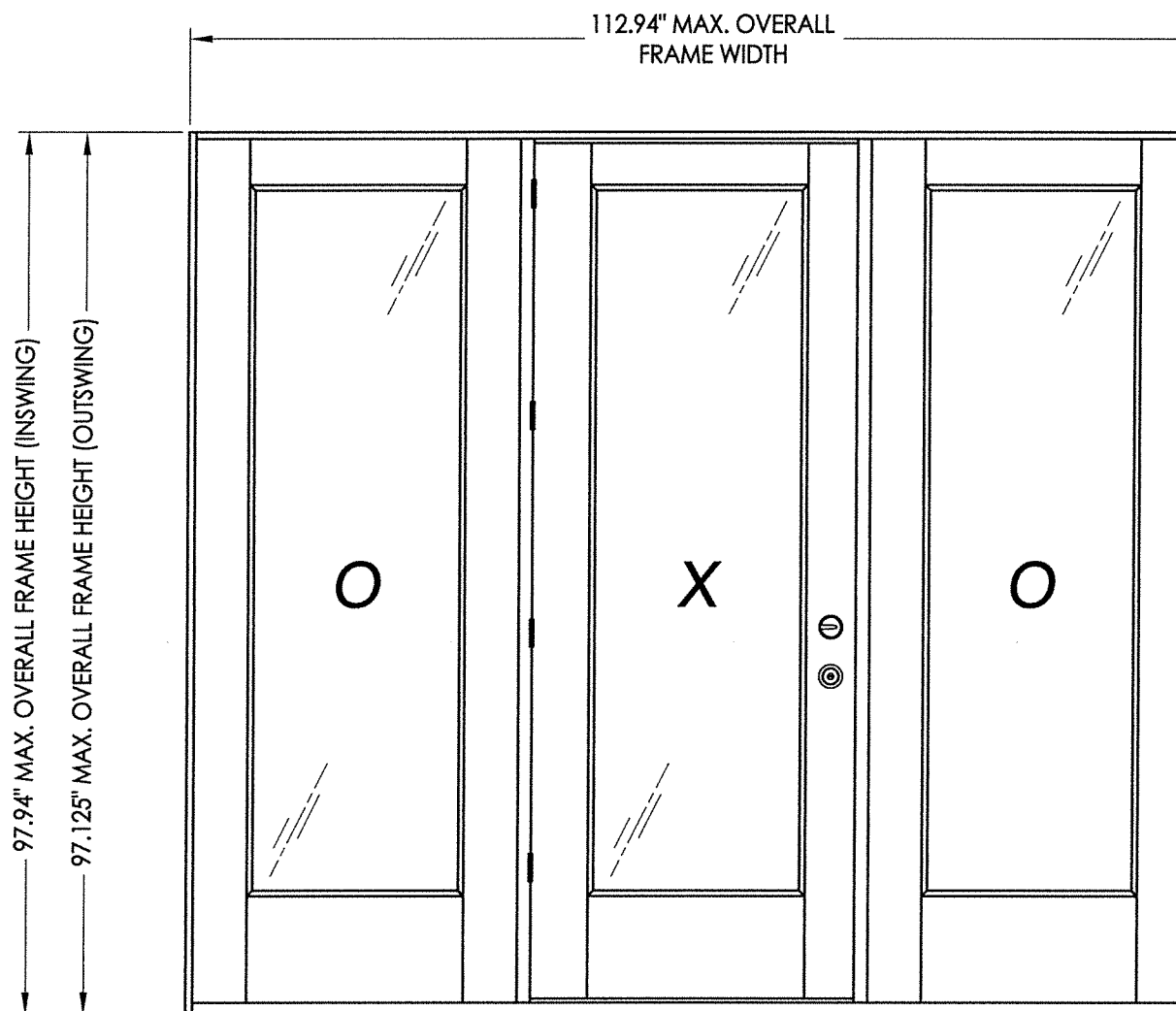
"NON-IMPACT"
INSWING / OUTSWING

EVALUATED FOR USE IN THE STATE OF TEXAS

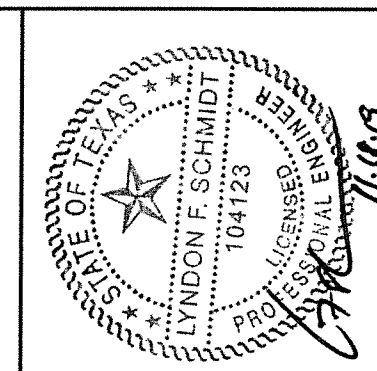
The Glazed Fiberglass Door system described herein complies with the 2018 International Residential Code (IRC), Sections R301 & R609 and the 2018 International Building Code (IBC), Sections 1404.13, 1609, 1709.5, 2403 and 2404 subject to the following conditions:

1. Anchors shall be as listed and spaced as shown in the details. Anchor embedment to base material shall be beyond wall dressing or stucco.
2. When used in areas requiring wind-borne debris protection this product is required to be protected with an impact resistant covering that complies with Section R301.2.1.2 of the IRC and Section 1609.2 of the IBC.
3. Allowable design pressure requirements must be equal to or less than the design pressure rating shown in the design pressure chart, sheet 1 of this drawing.
4. Conditions not covered by this drawing are subject to further engineering analysis.

TABLE OF CONTENTS	
SHEET#	DESCRIPTION
1	Typical elevations, design pressures & general notes
2	Door/Sidelite panel details (flush glazing)
3	Horizontal cross sections
4	Vertical cross sections
5	Vertical cross sections
6	Frame anchoring



CONFIG.	MODEL	DESIGN PRESSURE (PSF)	
		POSITIVE	NEGATIVE
OXO	INSWING	+40.0	-45.0
	OUTSWING	+40.0	-40.0



Documents Prepared By: Lyndon F. Schmidt, P.E.
TEXAS P.E. #104123

RW BUILDING CONSULTANTS, INC.
P.O. Box 230 Valrico FL 33595
Phone No.: 813.659.9197

TEXAS BOARD OF PROFESSIONAL ENGINEERS
CERTIFICATE OF REGISTRATION # F-11852

PRODUCT: ENDURA

PART OR ASSEMBLY: TYPICAL ELEVATION, DESIGN PRESSURES & GENERAL NOTES

NO.	DATE	REVISIONS
3	11/18/19	ADD "FusionFrame" OPTION & UPDATE TO 2018 IBC/IRC CODE
2	9/05/18	ADDED ADDITIONAL THRESHOLDS
1	1/07/14	ADDED ARTICULATING SILL

DATE: 8/07/12

SCALE: N.T.S.

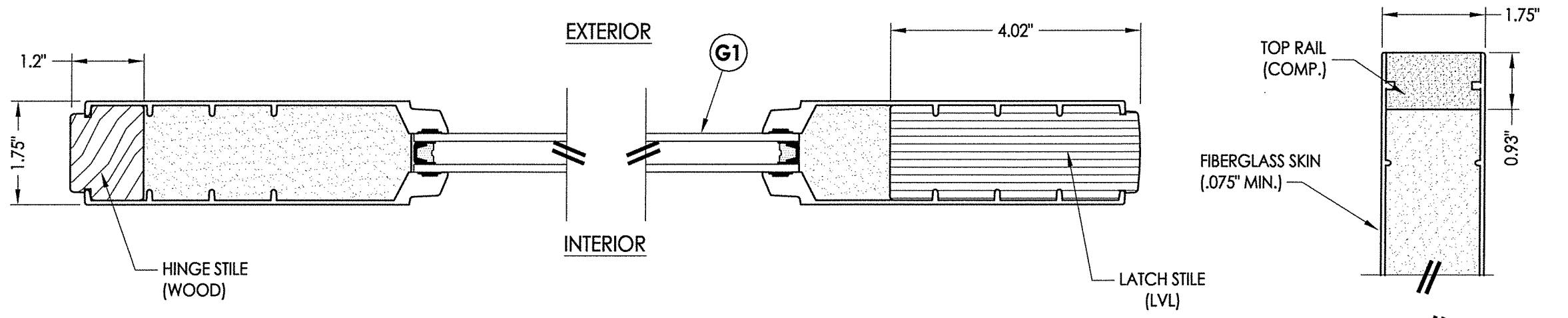
DWG. BY: JK

CHK. BY: LFS

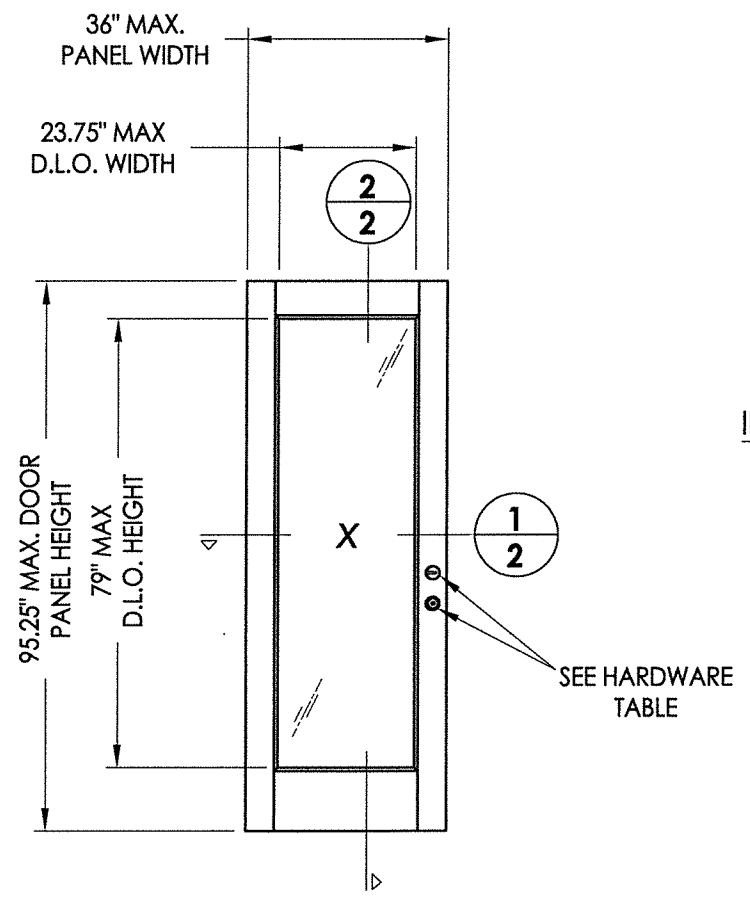
DRAWING NO.: TX-4207

SHEET 1 OF 6

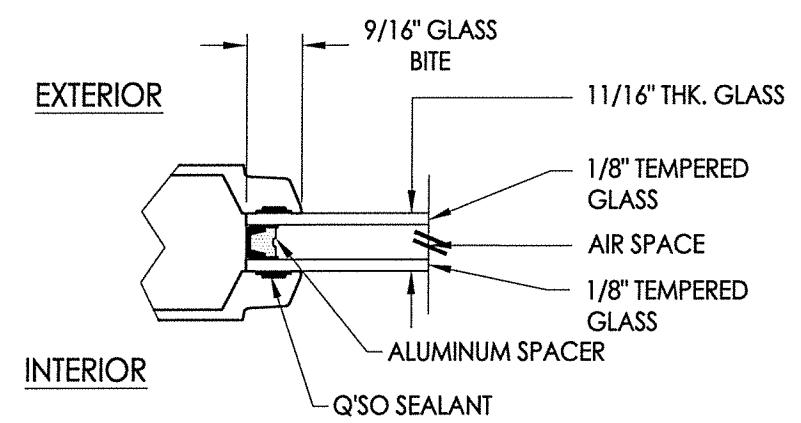
R:\Clients\Endura PERMANENT\B - Texas Dept of Ins\TDI - DR-610 Therma-Tru Flush GLZ\Drawings\2019 REV\TX-4206-07.dwg, 2.4



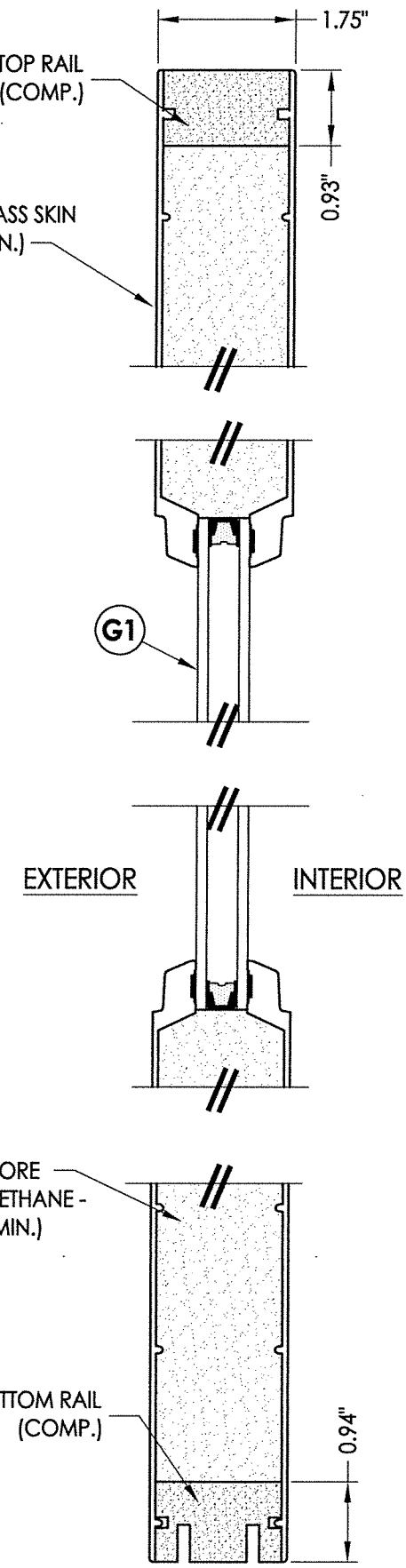
1
2 **HORIZONTAL CROSS SECTION**



THERMA TRU - Flush Glazed
Door/Sidelite Panel
(fiberglass)

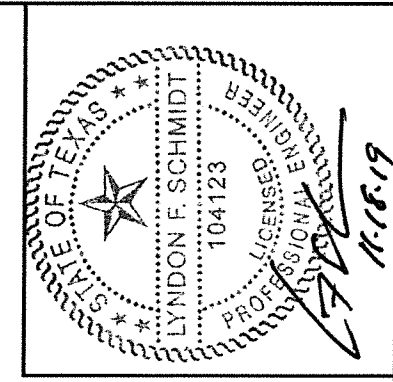


G1 **GLAZING DETAIL**



2
2 **VERTICAL CROSS SECTION**

HARDWARE TABLE	
MANUFACTURER	MODEL
KWIKSET	LATCH: KWIKSET SIGNATURE SERIES (991) DEADBOLT: KWIKSET SIGNATURE SERIES (980/985)



Documents Prepared By: Lyndon F. Schmidt, P.E.
TEXAS P.E. #104123

RW BUILDING CONSULTANTS, INC.
P.O. Box 230 Valrico FL 33595
Phone No.: 813.659.9197

TEXAS BOARD OF PROFESSIONAL ENGINEERS
CERTIFICATE OF REGISTRATION # F-11852

PRODUCT: ENDURA

PART OR ASSEMBLY: SIDELITE PANEL DETAILS (FLUSH GLAZING)

NO.	DATE	REVISIONS
3	11/18/19	ADD "FusionFrame" OPTION & UPDATE TO 2018 IBC/IRC CODE
2	9/05/18	ADDED ADDITIONAL THRESHOLDS
1	1/07/14	ADDED ARTICULATING SILL

DATE: 8/07/12

SCALE: N.T.S.

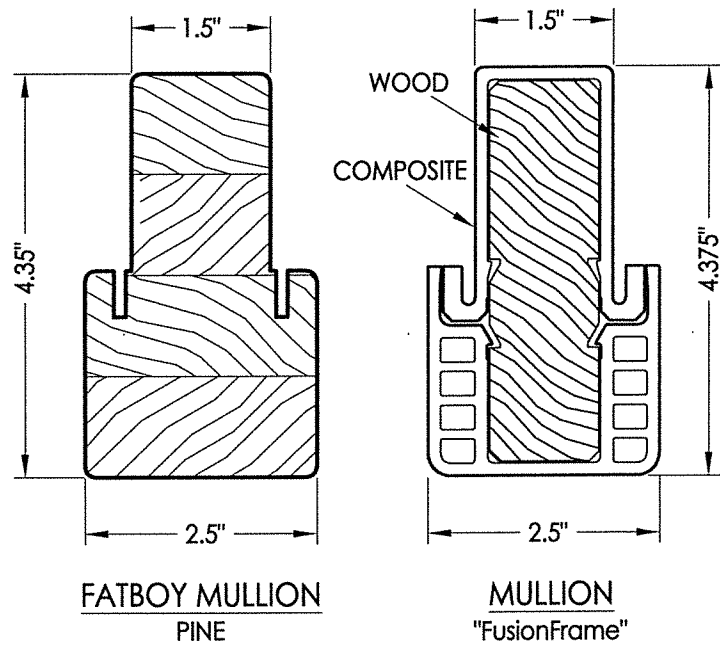
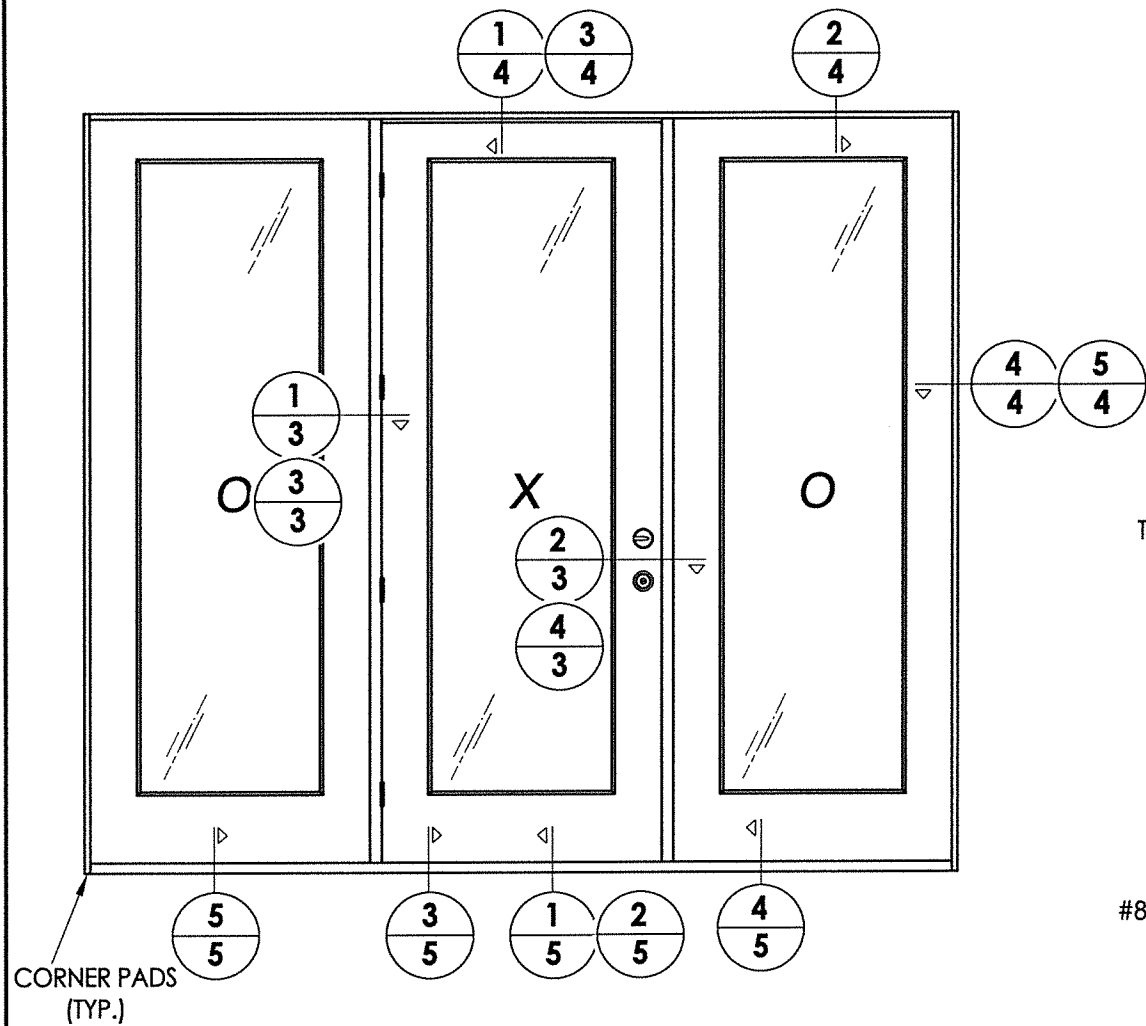
DWG. BY: JK

CHK. BY: LFS

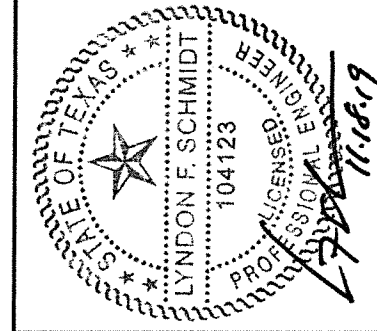
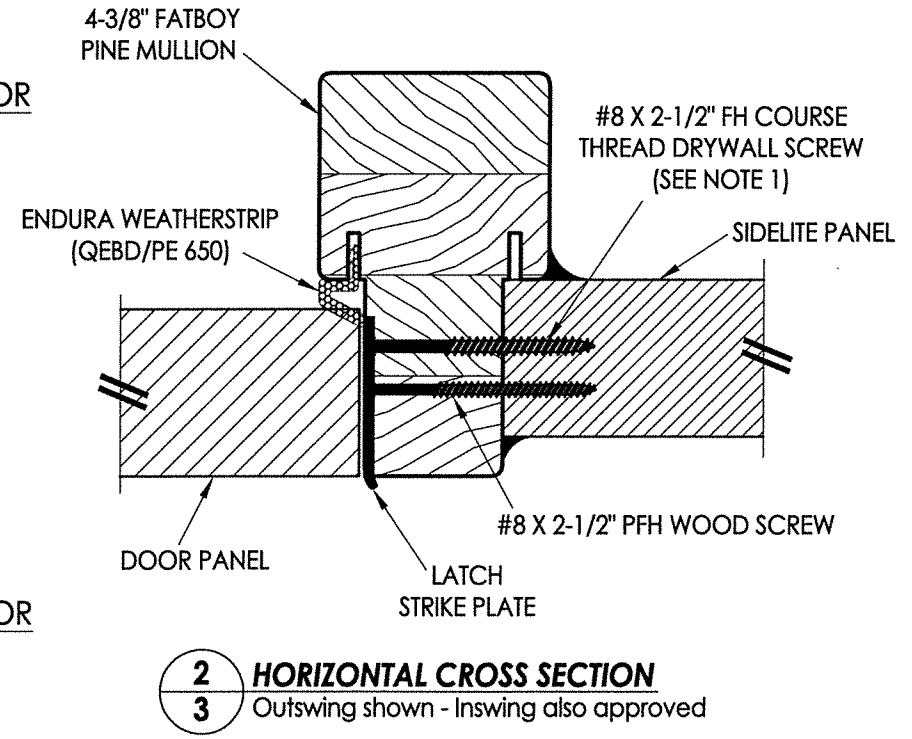
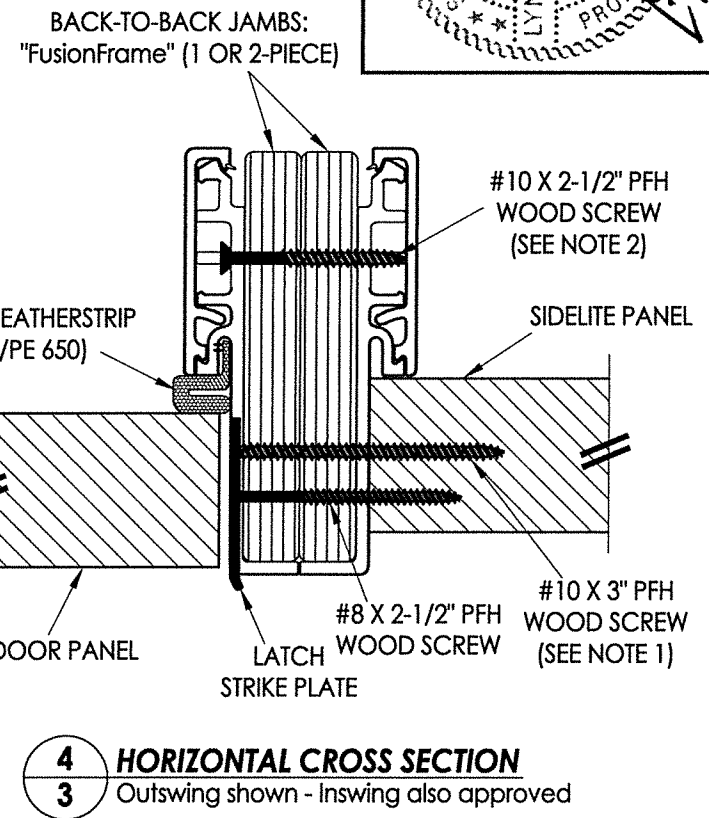
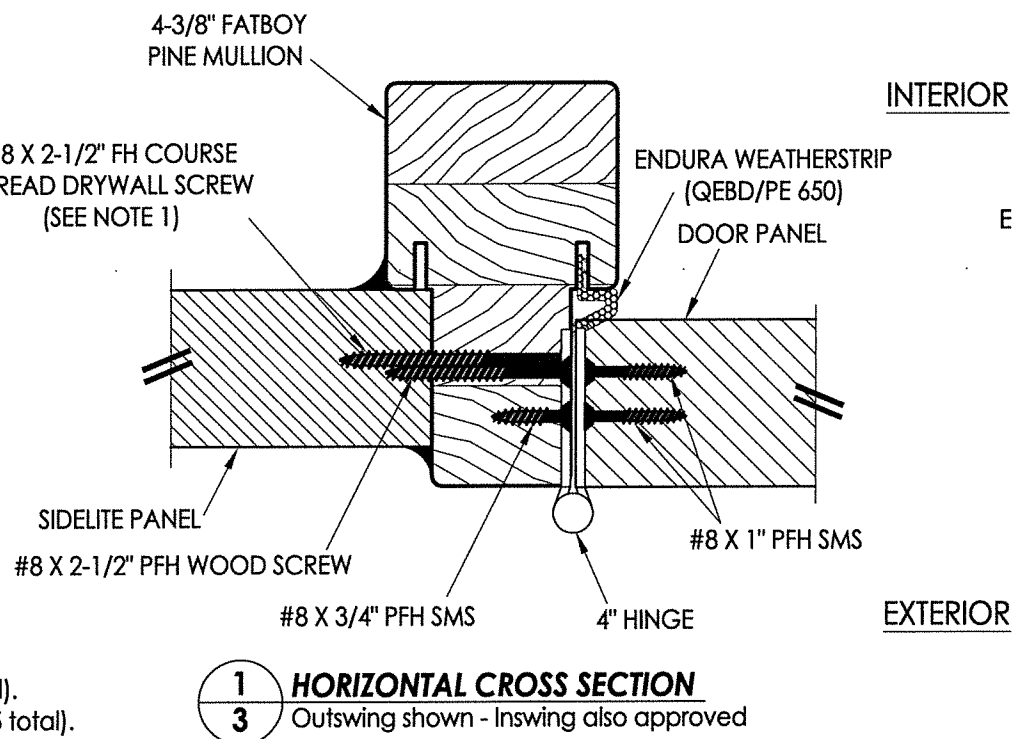
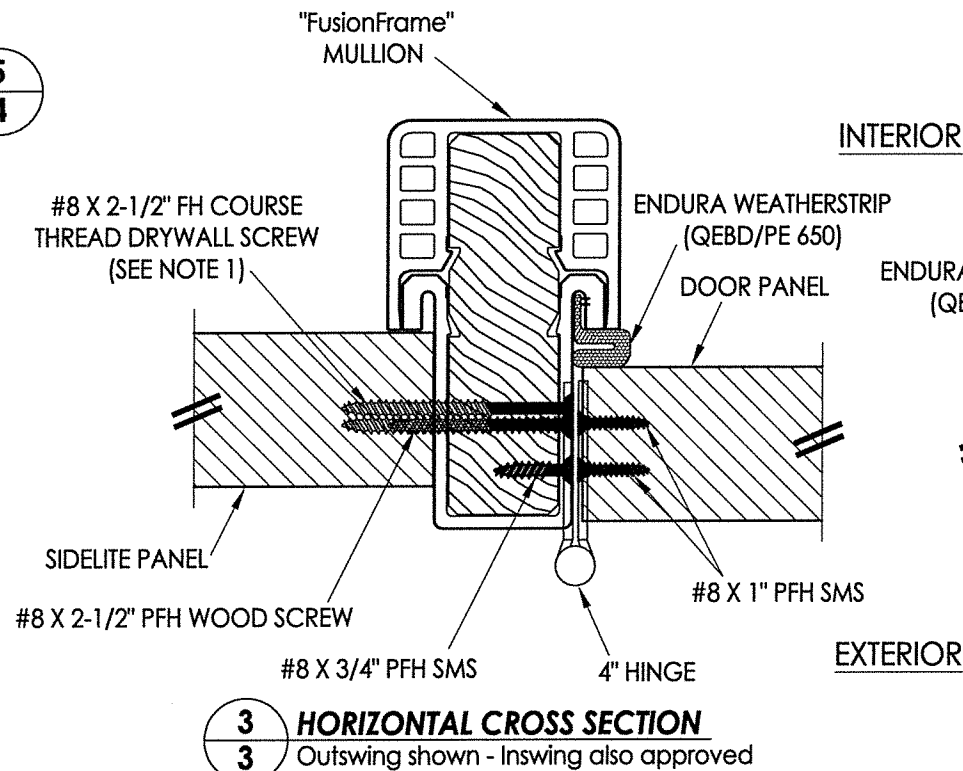
DRAWING NO.: TX-4207

SHEET 2 OF 6

R:\Clients\Endura PERMANENT B - Texas Dept of Ins\TID1 - DR-610 Thermo-Tru Flush GLZ\Drawings\2019 REV\TX-4206-07.dwg, 3.4



- NOTES:**
 1. Spacing for sidelite screws: 6.5", 35.5", 57.25" and 85" from head to sill (4 total).
 2. Spacing for mullion screws: 6" from each end plus 3 more equally spaced (5 total).



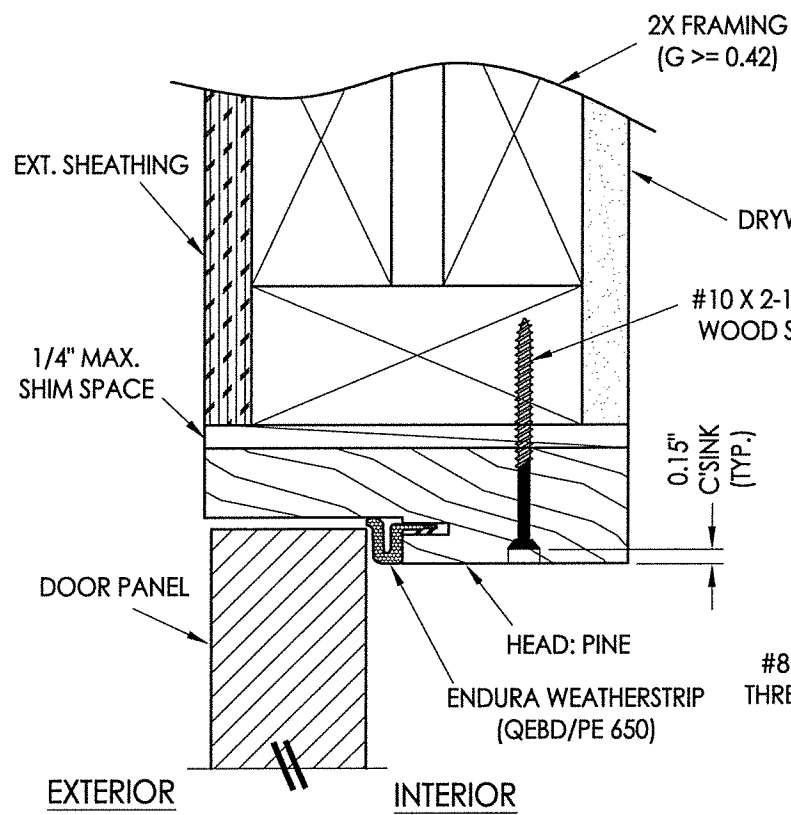
Documents Prepared By: Lyndon F. Schmidt, P.E.
 TEXAS P.E. #104123

RW BUILDING CONSULTANTS, INC.
 P.O. Box 230 Valrico FL 33595
 Phone No.: 813.659.9197
 TEXAS BOARD OF PROFESSIONAL ENGINEERS
 CERTIFICATE OF REGISTRATION # F-11852

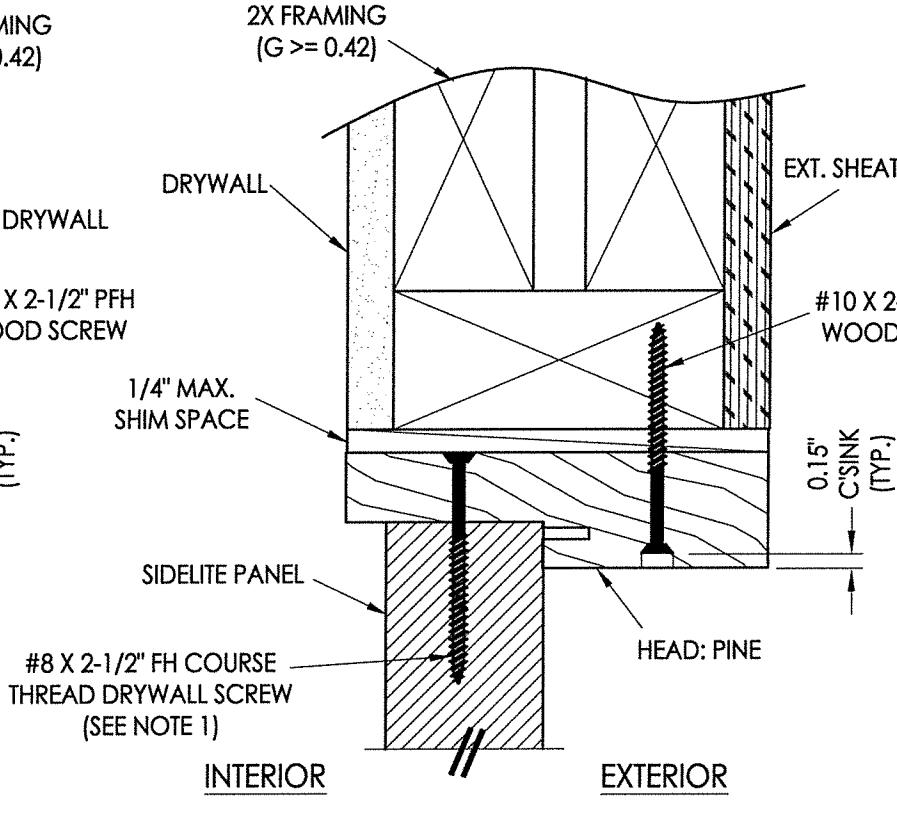
PRODUCT:		ENDURA Steel DOOR	
PART OR ASSEMBLY:		HORIZONTAL CROSS SECTIONS	
NO.	DATE	BY	REVISIONS
3	11/18/19	LFS	ADD "FusionFrame" OPTION & UPDATE TO 2018 IBC/IRC CODE
2	9/05/18	LFS	ADDED ADDITIONAL THRESHOLDS
1	1/07/14	LFS	ADDED ARTICULATING SILL
DATE: 8/07/12		SCALE: N.T.S.	
DWG. BY: JK		CHK. BY: LFS	
DRAWING NO.: TX-4207		SHEET 3 OF 6	

© 2012 R.W. BUILDING CONSULTANTS INC.

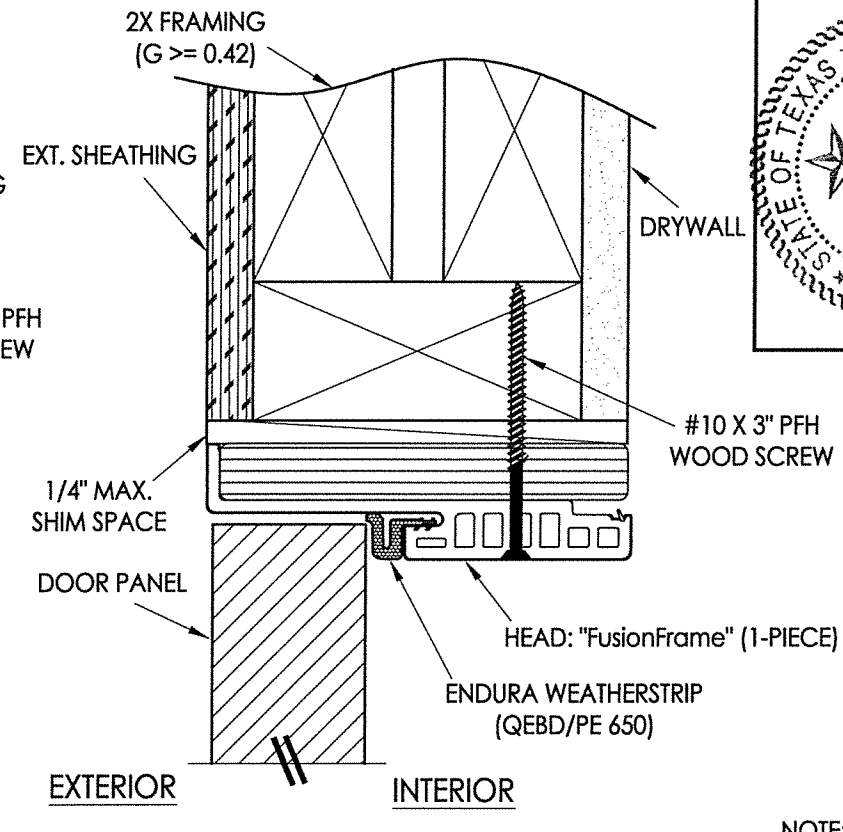
R:\Clients\Endura PERMANENT\B - Texas Dept of Ins\TDI - DR-610 Therma-Tru Flush GLZ\Drawings\2019 REV\TX-4206-07.dwg, 4.4



1 VERTICAL CROSS SECTION
4 Outswing shown - inswing also approved

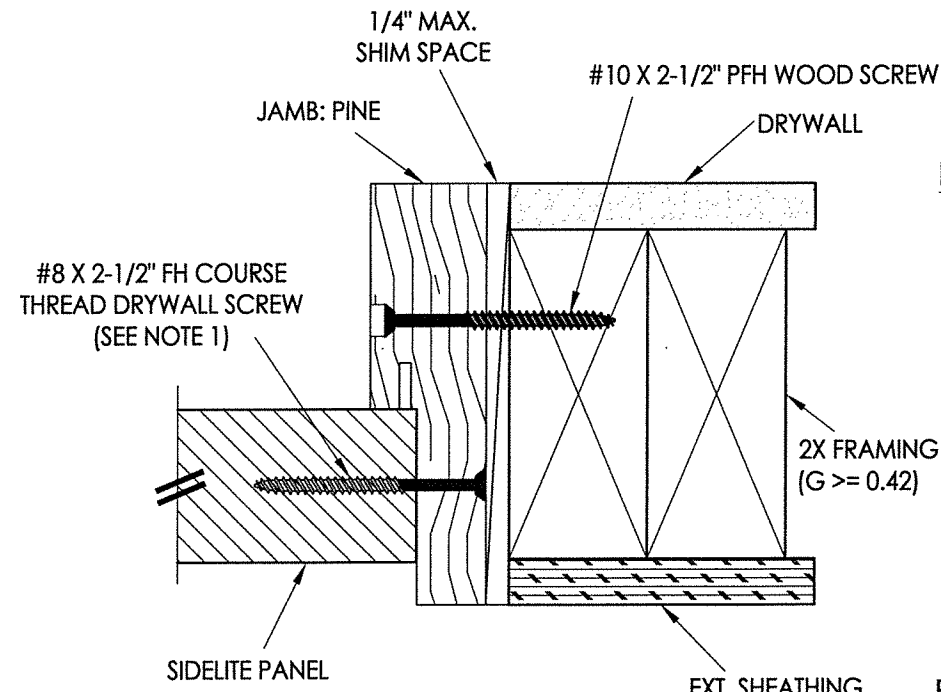
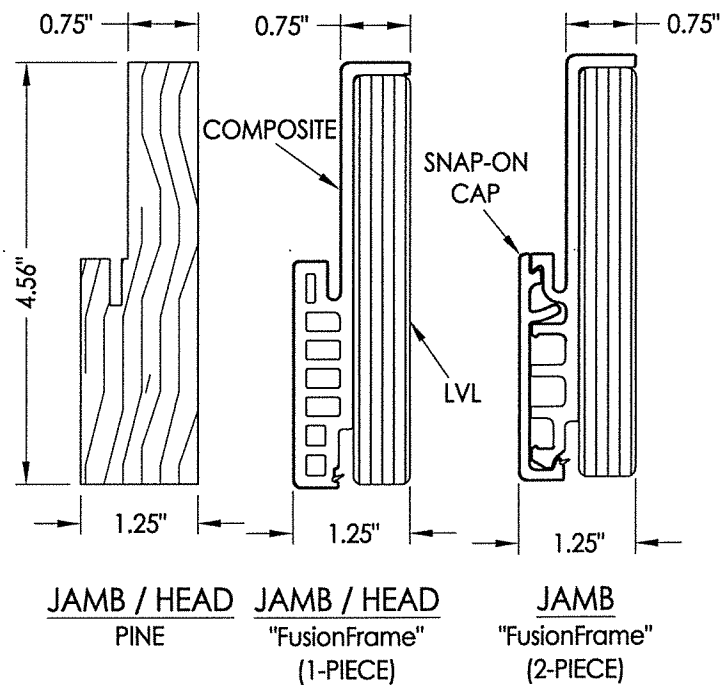


2 VERTICAL CROSS SECTION
4 Inswing shown - Outswing also approved

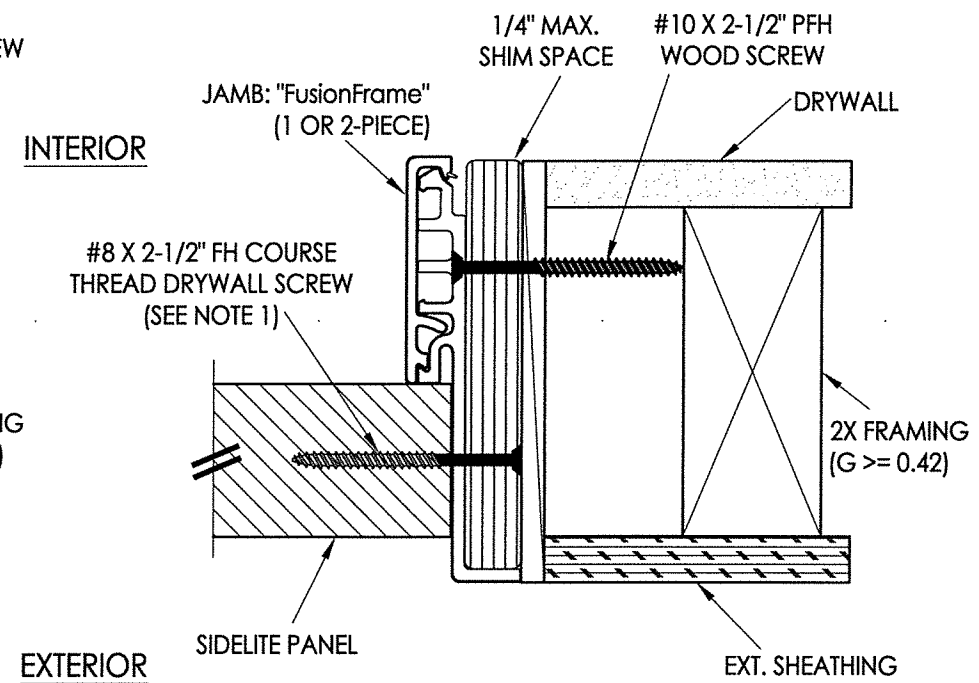


3 VERTICAL CROSS SECTION
4 Outswing shown - inswing also approved

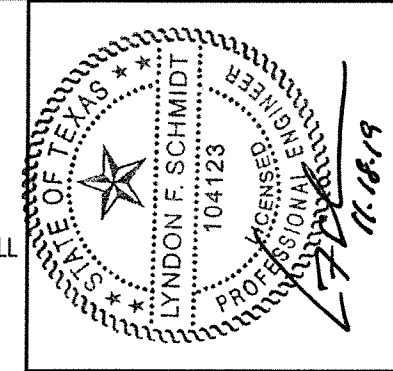
NOTE:
 1. Spacing for sidelite screws: 6" from each end (2 total).



4 HORIZONTAL CROSS SECTION
4 Outswing shown - Inswing also approved



5 HORIZONTAL CROSS SECTION
4 Outswing shown - Inswing also approved



Documents Prepared By: Lyndon F. Schmidt, P.E.
 TEXAS P.E. #104123

R.W. BUILDING CONSULTANTS, INC.
 P.O. Box 230 Valrico FL 33595
 Phone No.: 813.659.9197

TEXAS BOARD OF PROFESSIONAL ENGINEERS
 CERTIFICATE OF REGISTRATION # F-11852

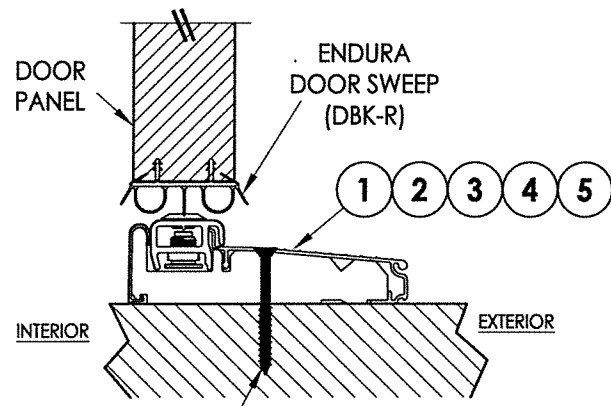
PRODUCT:	ENDURA
PART OR ASSEMBLY:	VERTICAL CROSS SECTIONS

NO.	DATE	BY	REVISIONS
3	11/18/19	LFS	ADD "FusionFrame" OPTION & UPDATE TO 2018 IBC/IRC CODE
2	9/05/18	LFS	ADDED ADDITIONAL THRESHOLDS
1	1/07/14	LFS	ADDED ARTICULATING SILL

DATE:	8/07/12
SCALE:	N.T.S.
DWG. BY:	JK
CHK. BY:	LFS
DRAWING NO.:	TX-4207
SHEET	4 OF 6

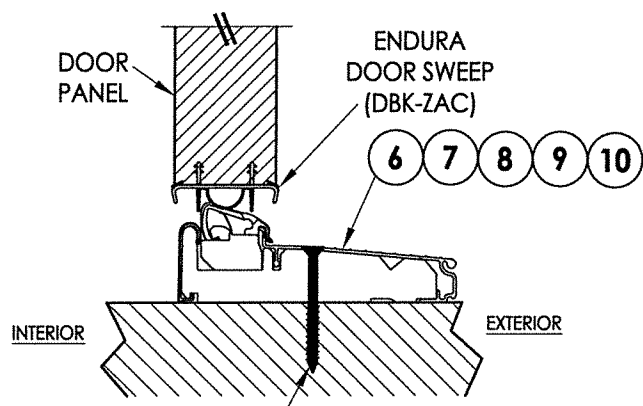
© 2012 R.W. BUILDING CONSULTANTS INC.

R:\Clients\Endura PERMANENT\B - Texas Dept of Ins\TDI - DR-610 Therma-Tru Flush GLZ\Drawings\2019 REV\TX-4206-07.dwg, 5.4



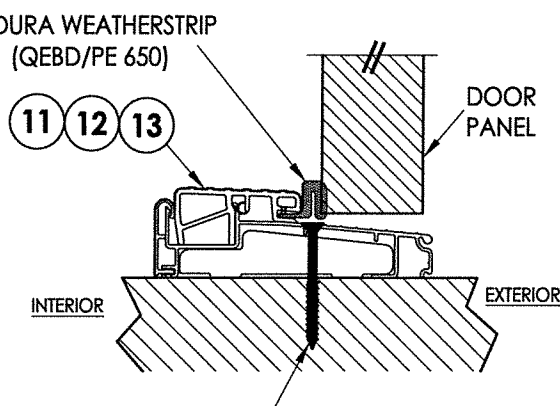
#10 X 2.5" PFH WOOD SCREW OR
1/4" X 2-3/4" ELCO OR ITW CONCRETE SCREW

1 VERTICAL CROSS SECTION
5 Inswing Adjustable Threshold



#10 X 2.5" PFH WOOD SCREW OR
1/4" X 2-3/4" ELCO OR ITW CONCRETE SCREW

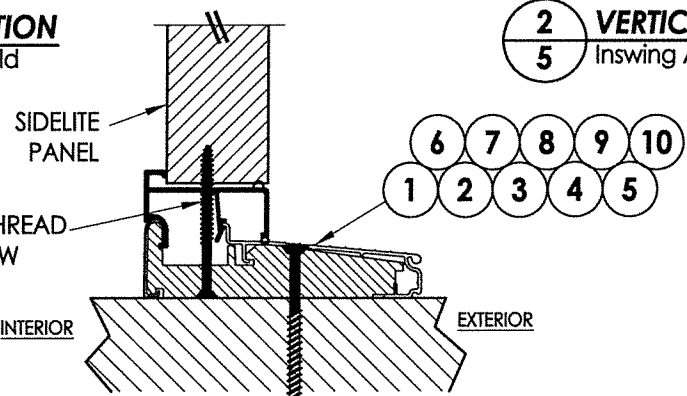
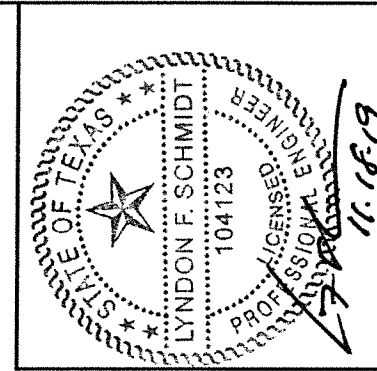
2 VERTICAL CROSS SECTION
5 Inswing Articulating Threshold



#10 X 2.5" PFH WOOD SCREW OR
1/4" X 2-3/4" ELCO OR ITW CONCRETE SCREW

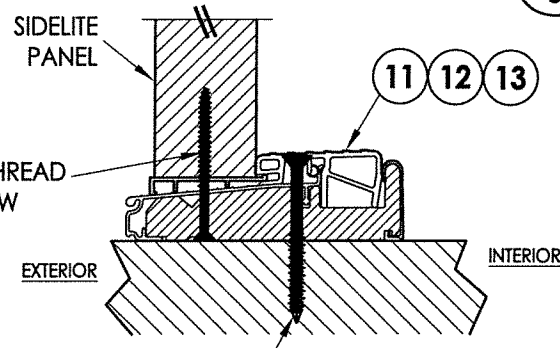
3 VERTICAL CROSS SECTION
5 Outswing Bump Threshold

NOTE:
1. Spacing for sidelite screws:
6" from each end (2 total).



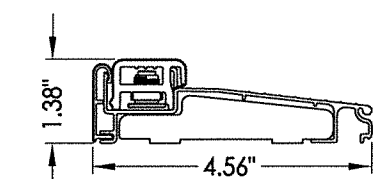
#10 X 2.5" PFH WOOD SCREW OR
1/4" X 2-3/4" ELCO OR ITW CONCRETE SCREW

4 VERTICAL CROSS SECTION
5 Inswing configuration

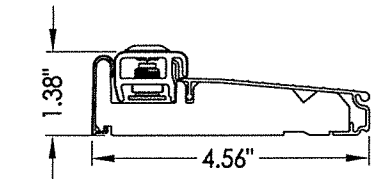


#10 X 2.5" PFH WOOD SCREW OR
1/4" X 2-3/4" ELCO OR ITW CONCRETE SCREW

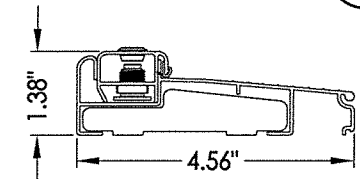
5 VERTICAL CROSS SECTION
5 Outswing configuration



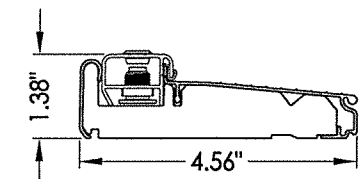
1 INSWING ADJUSTABLE THRESHOLD
ZAIL4565



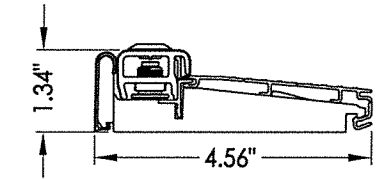
2 INSWING ADJUSTABLE THRESHOLD
ZAI4565FN



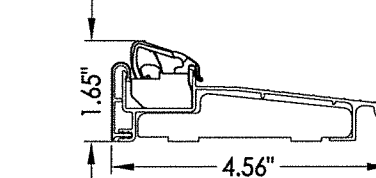
3 INSWING ADJUSTABLE THRESHOLD
ZAILAA4565



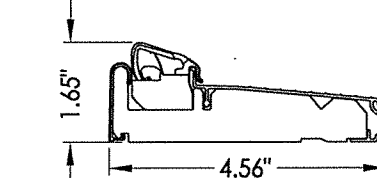
4 INSWING ADJUSTABLE THRESHOLD
ZAIAA4565FN



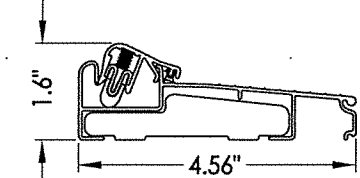
5 INSWING ADJUSTABLE THRESHOLD
ZAI4565RDS



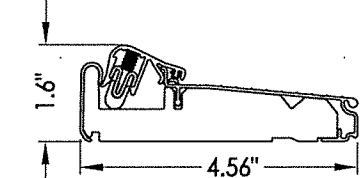
6 INSWING ARTICULATING THRESHOLD
ZACLA565



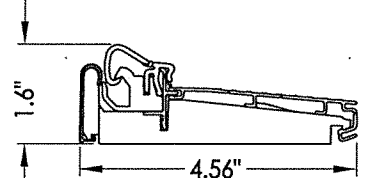
7 INSWING ARTICULATING THRESHOLD
ZAC4565FN



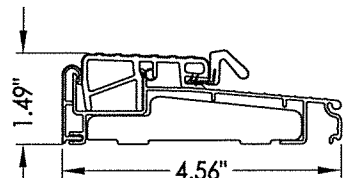
8 INSWING ARTICULATING THRESHOLD
ZACLAA4565



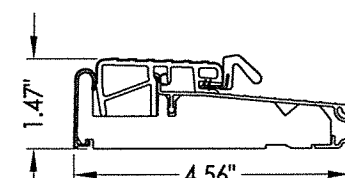
9 INSWING ARTICULATING THRESHOLD
ZACAA4565FN



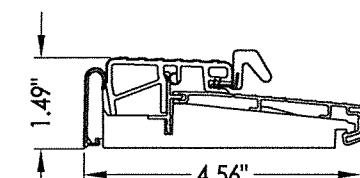
10 INSWING ARTICULATING THRESHOLD
ZAC4565RDS



11 OUTSWING THRESHOLD
ZOBL4565



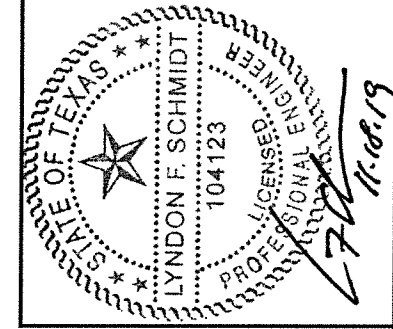
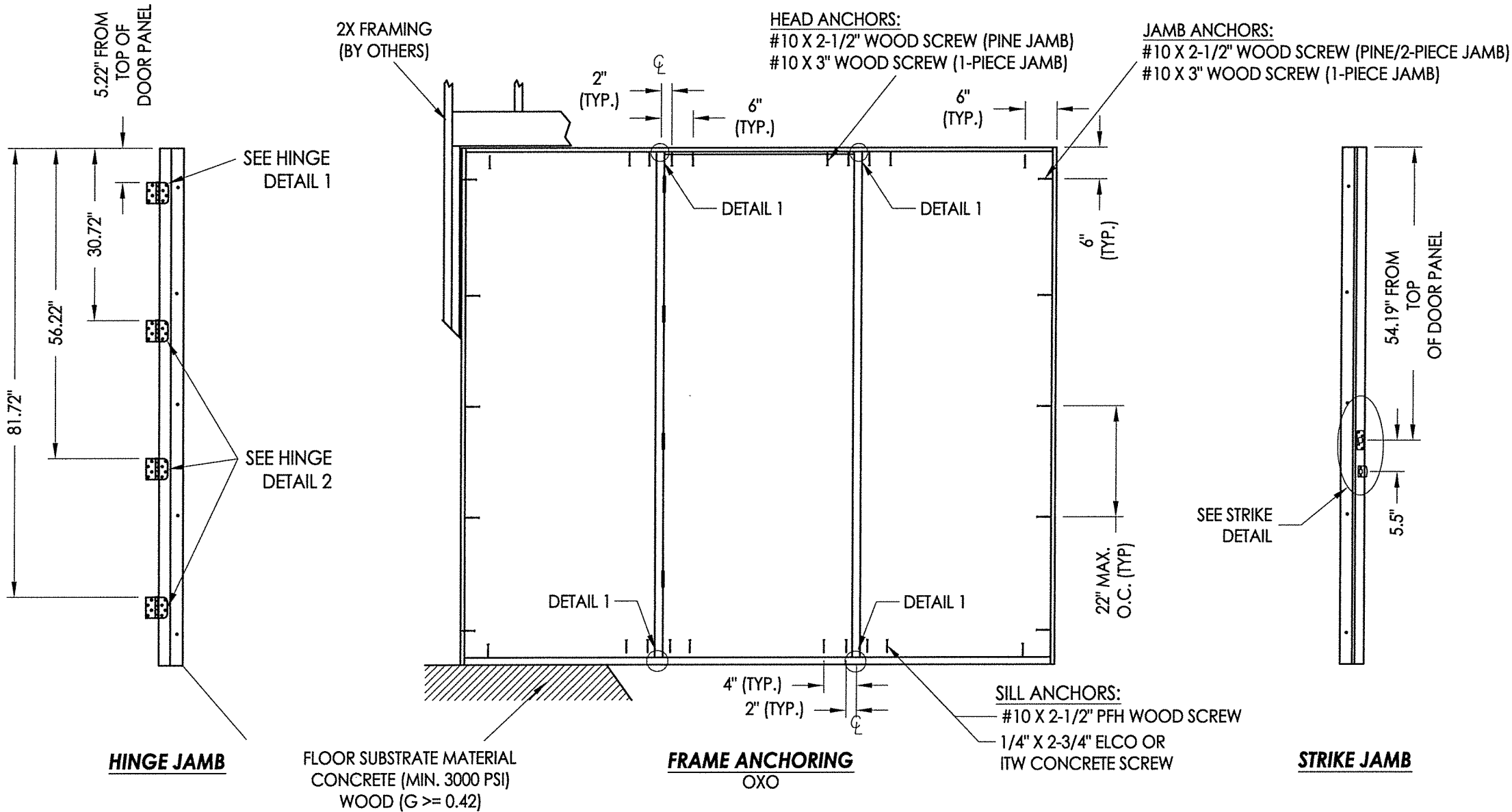
12 OUTSWING THRESHOLD
ZOB4565FN



13 OUTSWING THRESHOLD
ZOB4565RDS

Documents Prepared By: Lyndon F. Schmidt, P.E. TEXAS P.E. #104123		BUILDING CONSULTANTS, INC. P.O. Box 230 Valrico FL 33595 Phone No.: 813.659.9197	
PRODUCT: ENDURA		PART OR ASSEMBLY: VERTICAL CROSS SECTIONS	
NO.	DATE	BY	REVISIONS
3	11/18/19	LFS	ADD "FusionFrame" OPTION & UPDATE TO 2018 IBC/IRC CODE
2	9/05/18	LFS	ADDED ADDITIONAL THRESHOLDS
1	1/07/14	LFS	ADDED ARTICULATING SILL
DATE: 8/07/12			
SCALE: N.T.S.			
DWG. BY: JK			
CHK. BY: LFS			
DRAWING NO.: TX-4207			
SHEET 5 OF 6			

© 2012 R.W. BUILDING CONSULTANTS INC.



Documents Prepared By: Lyndon F. Schmidt, P.E.
 TEXAS P.E. #104123

R.W. BUILDING CONSULTANTS, INC.
 P.O. Box 230 Valrico FL 33595
 Phone No.: 813.659.9197

TEXAS BOARD OF PROFESSIONAL ENGINEERS
 CERTIFICATE OF REGISTRATION # F-11852

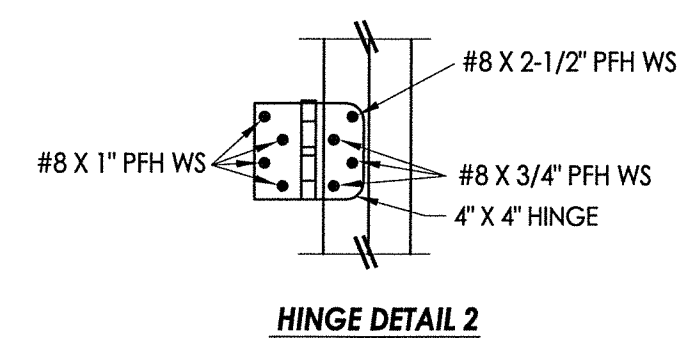
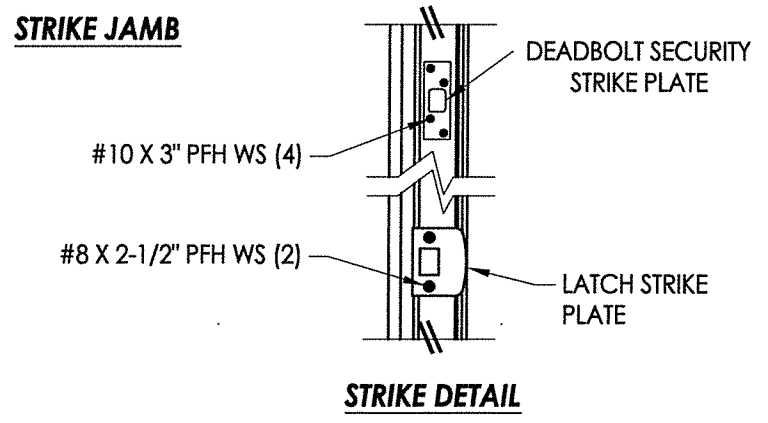
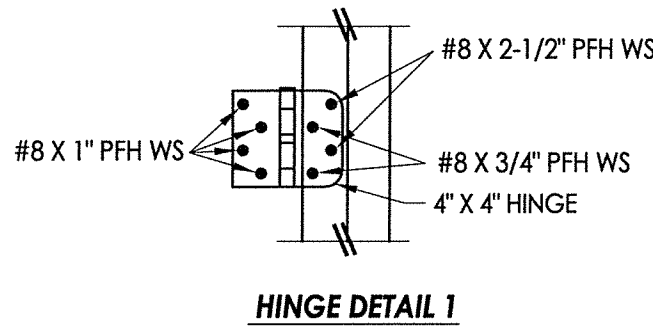
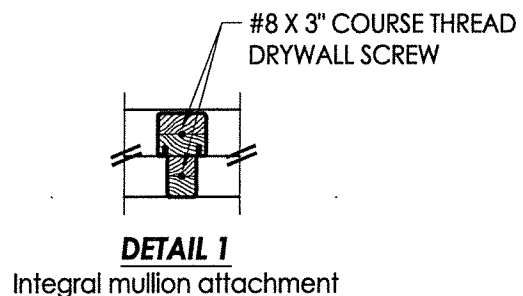
JAMB NOTES:
 THE PINE OR "FusionFrame" 1-PIECE JAMB MAY BE INSTALLED @ THE HEAD OR SIDE JAMB.
 THE FusionFrame" 2-PIECE JAMB MAY BE INSTALLED @ THE SIDE JAMBS ONLY.

INTEGRAL MULLION NOTES:
 THE FATBOY PINE MULLION, "FusionFrame" MULLION, OR THE "FusionFrame" BACK-TO-BACK JAMB (1-PIECE OR 2-PIECE) MAY ALL BE USED AS THE INTEGRAL MULLION.

CONCRETE ANCHOR NOTES:

1. Concrete anchor locations at the corners may be adjusted to maintain the min. edge distance to mortar joints.
2. Concrete anchor locations noted as "MAX. ON CENTER" must be adjusted to maintain the min. edge distance to mortar joints, additional concrete anchors may be required to ensure the "MAX. ON CENTER" dimension are not exceeded.
3. Concrete anchor table:

ANCHOR TYPE	ANCHOR SIZE	MIN. EMBEDMENT	MIN. CLEARANCE TO MASONRY EDGE	MIN. CLEARANCE TO ADJACENT ANCHOR
ITW TAPCON®	1/4"	1-3/4"	1-1/2"	4"
ELCO ULTRACON®	1/4"	1-3/4"	1"	4"



PRODUCT:	ENDURA	
PART OR ASSEMBLY:	FRAME ANCHORING	
NO.	DATE	REVISIONS
3	11/18/19	ADD "FusionFrame" OPTION & UPDATE TO 2018 IBC/IRC CODE
2	9/05/18	ADDED ADDITIONAL THRESHOLDS
1	1/07/14	ADDED ARTICULATING SILL
DATE:	8/07/12	
SCALE:	N.T.S.	
DWG. BY:	JK	
CHK. BY:	LFS	
DRAWING NO.:	TX-4207	
SHEET	6	OF 6