

# THERMA TRU®

## THERMA TRU DOORS

118 INDUSTRIAL DR., EDGERTON, OH 43517

### "Smooth-Star", "Fiber-Classic" & "Classic-Craft"

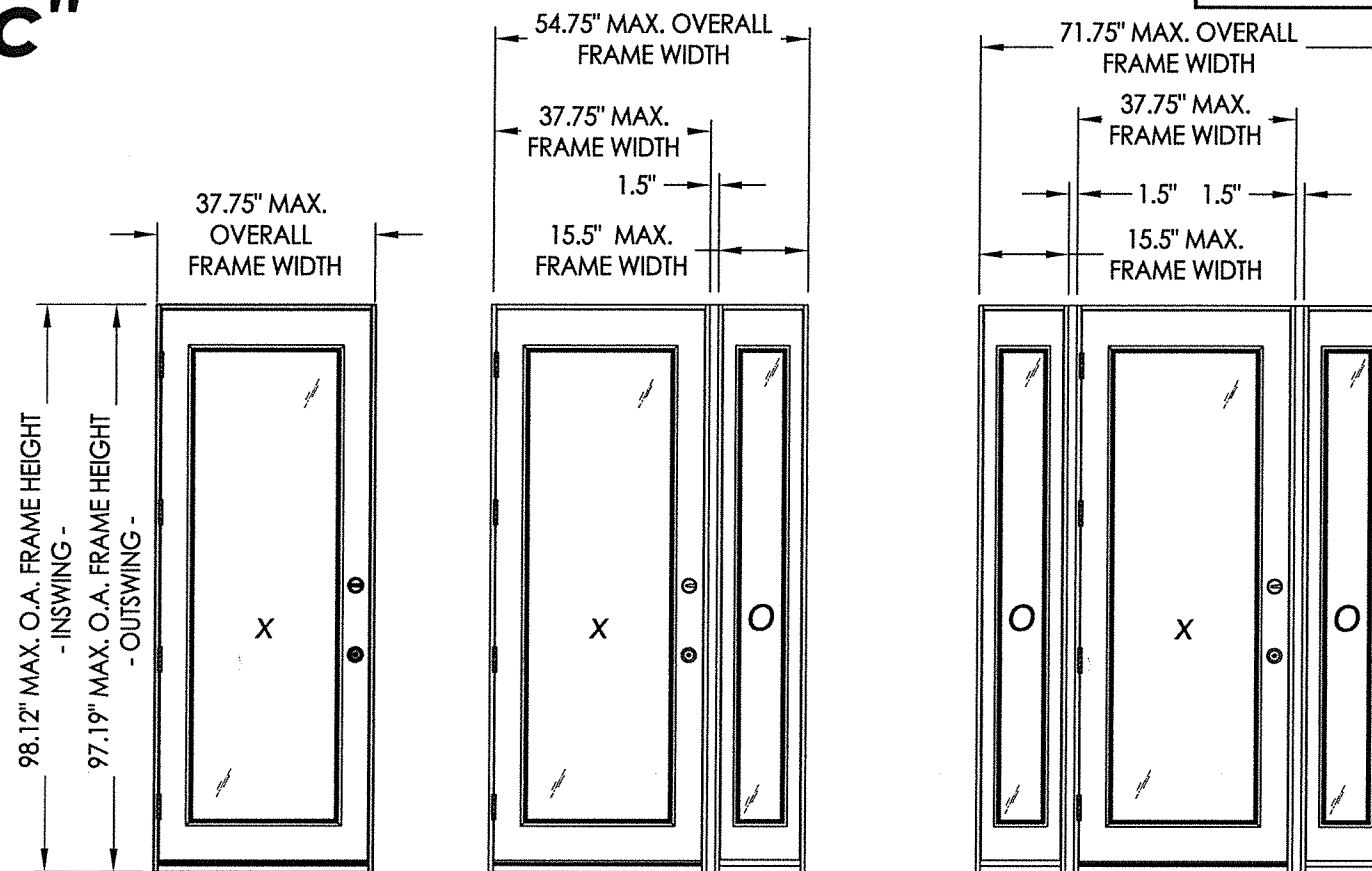
### Glazed Fiberglass Single Door w/ or w/out Sidelites

**IN SWING / OUT SWING**  
**"Non-Impact"**

**EVALUATED FOR USE IN THE STATE OF TEXAS**

The Fiberglass Door system described herein complies with the 2018 International Residential Code (IRC), Sections R301 & R609 and the 2018 International Building Code (IBC), Sections 1404.13, 1609, 1709.5, 2403 and 2404 subject to the following conditions:

1. Anchors shall be as listed and spaced as shown in the details. Anchor embedment to base material shall be beyond wall dressing or stucco.
2. When used in areas requiring wind-borne debris protection this product is required to be protected with an impact resistant covering that complies with Section R301.2.1.2 of the IRC and Section 1609.1.2 of the IBC.
3. Allowable design pressure requirements must be equal to or less than the design pressure rating shown in the design pressure chart, sheet 1 of this drawing.
4. Conditions not covered by this drawing are subject to further engineering analysis.
5. Fiber-Classic and Smooth-Star Door and Sidelite panels require the use of "J" part numbers. These door and sidelite panels must be stained or painted within six months of installation.



CONFIGURATION	MAX. FRAME DIMENSION	SWING	DESIGN PRESSURE (PSF) SMOOTH-STAR / FIBER-CLASSIC		DESIGN PRESSURE (PSF) CLASSIC-CRAFT	
			POSITIVE	NEGATIVE	POSITIVE	NEGATIVE
X	37.75" x 98.12"	IN SWING	+30.0	-35.0	+47.0	-50.0
	37.75" x 97.19"	OUT SWING	+30.0	-30.0	+47.0	-47.0
OX or XO	54.75" x 98.12"	IN SWING	+30.0	-35.0	+47.0	-50.0
	54.75" x 97.19"	OUT SWING	+30.0	-30.0	+47.0	-47.0
OXO	71.75" x 98.12"	IN SWING	+30.0	-35.0	+47.0	-50.0
	71.75" x 97.19"	OUT SWING	+30.0	-30.0	+47.0	-47.0



Documents Prepared By: Lyndon F. Schmidt, P.E.  
TEXAS P.E. #104123

**RW** BUILDING CONSULTANTS, INC.  
P.O. Box 230 Valrico FL 33595  
Phone No.: 813.659.9197

TEXAS BOARD OF PROFESSIONAL ENGINEERS  
CERTIFICATE OF REGISTRATION # F-11852

PRODUCT: THERMA-TRU FIBERGLASS DOOR

PART OR ASSEMBLY: TYPICAL ELEVATION, DESIGN PRESSURES & GENERAL NOTES

NO.	DATE	REVISIONS
3	5/14/20	UPDATE TO 2018 IRC/IBC CODE
2	9/05/18	REVISED LITE SCREW SPACING
1	7/22/15	ADDED GENERAL NOTE 5.

DATE: 10/08/12

SCALE: N.T.S.

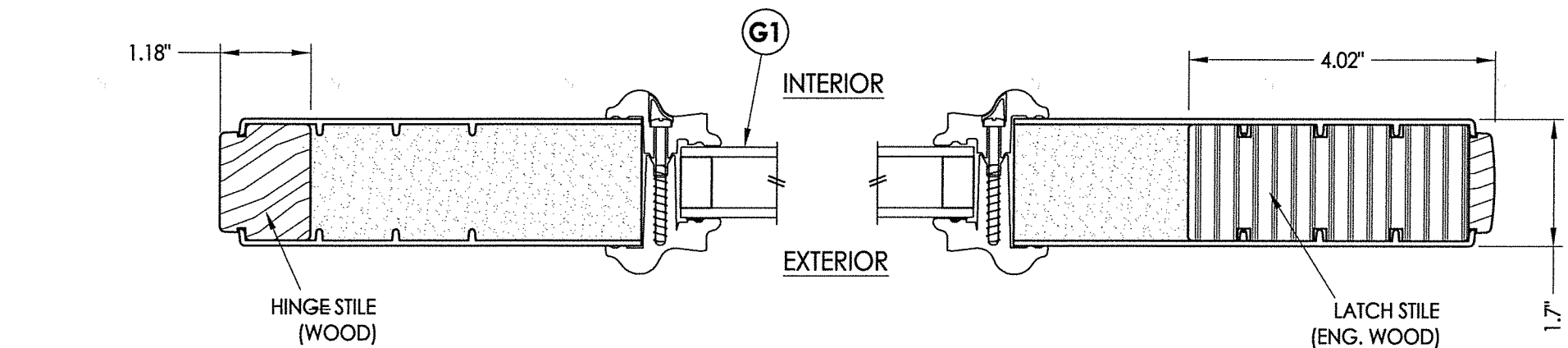
DWG. BY: JK

CHK. BY: LFS

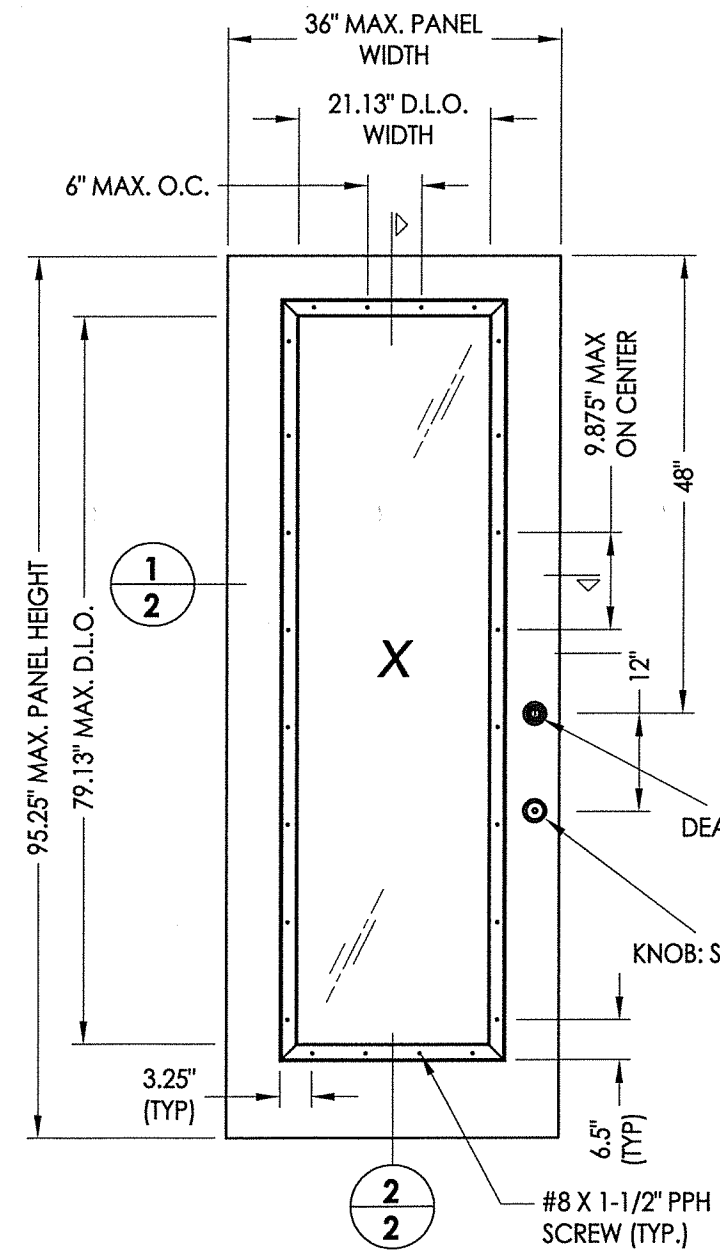
DRAWING NO.: TX-4264

SHEET 1 of 12

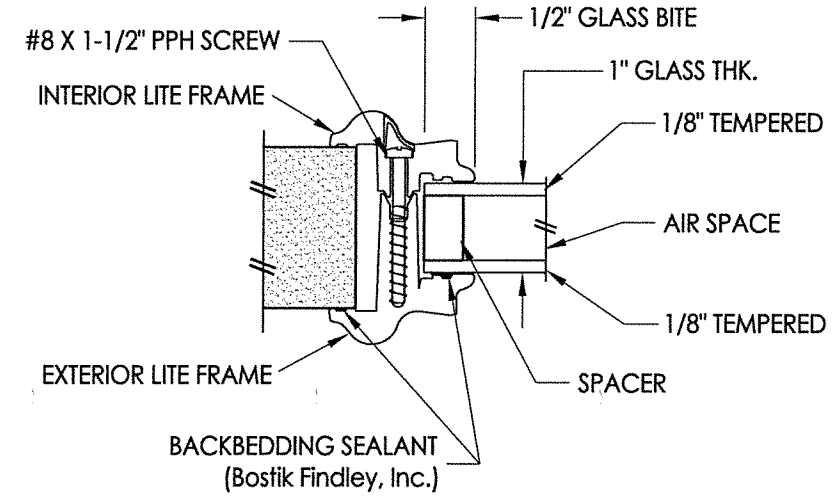
R:\Clients\Therma Tru PERMANENT\B - Texas Dept of Ins\TDDI - DR 602 - 68 - 80 Glazed FG NonImp IS - OS Sgls Dbils w SLIC - Drawings\TX-4264.dwg, 2



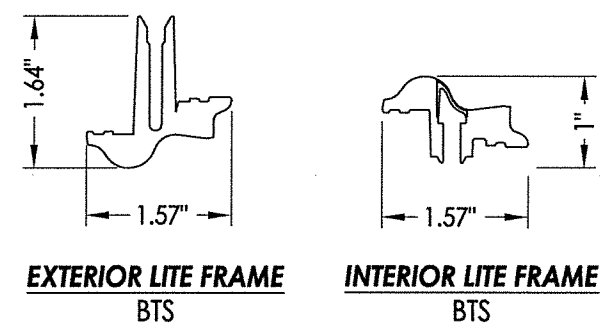
1 HORIZONTAL CROSS SECTION



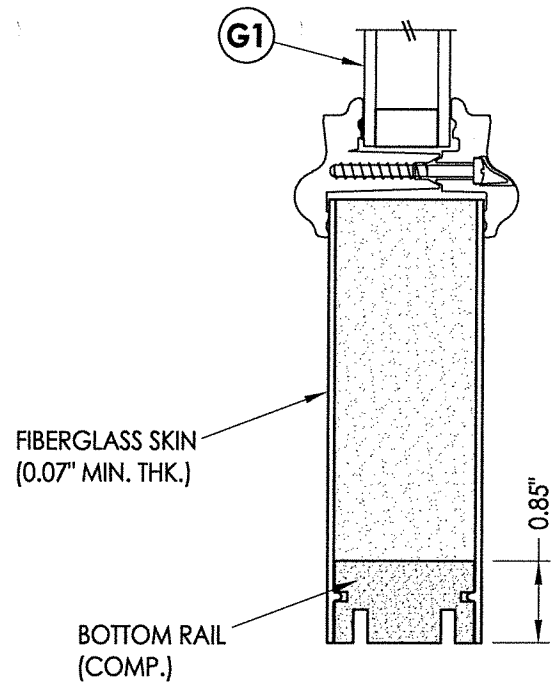
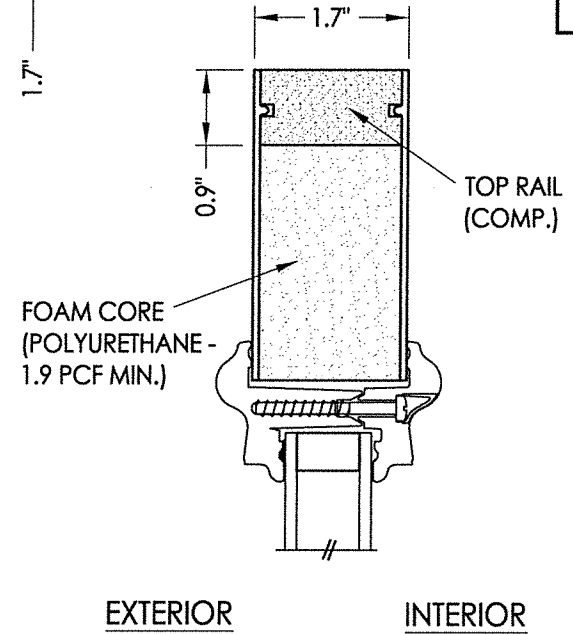
40 DOOR PANEL  
Smooth Star/Fiber Classic



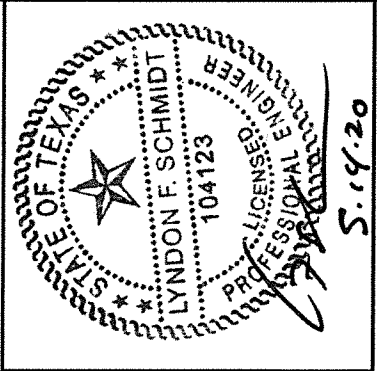
G1 GLAZING DETAIL  
BTS Lip Lite Frame



HARDWARE TABLE	
MANUFACTURER	MODEL
KWIKSET	KNOB: SIGNATURE SERIES
	DEADBOLT: SIGNATURE SERIES (980)
SCHLAGE	KNOB: "F" SERIES
	DEADBOLT: "B" SERIES



2 VERTICAL CROSS SECTION



Documents Prepared By: Lyndon F. Schmidt, P.E.  
TEXAS P.E. #104123

**RW** BUILDING CONSULTANTS, INC.  
P.O. Box 230 Valrico FL 33595  
Phone No.: 813.659.9197

TEXAS BOARD OF PROFESSIONAL ENGINEERS  
CERTIFICATE OF REGISTRATION # F-11852

PRODUCT: THERMA-TRU  
FIBERGLASS DOOR

PART OR ASSEMBLY:  
DOOR PANEL & GLAZING DETAIL  
(SMOOTH STAR/FIBER CLASSIC)

NO.	DATE	REVISIONS
3	5/14/20	UPDATE TO 2018 IBC/IRC CODE
2	9/05/18	REVISED LITE SCREW SPACING
1	7/22/15	ADDED GENERAL NOTE 5.

DATE: 10/08/12

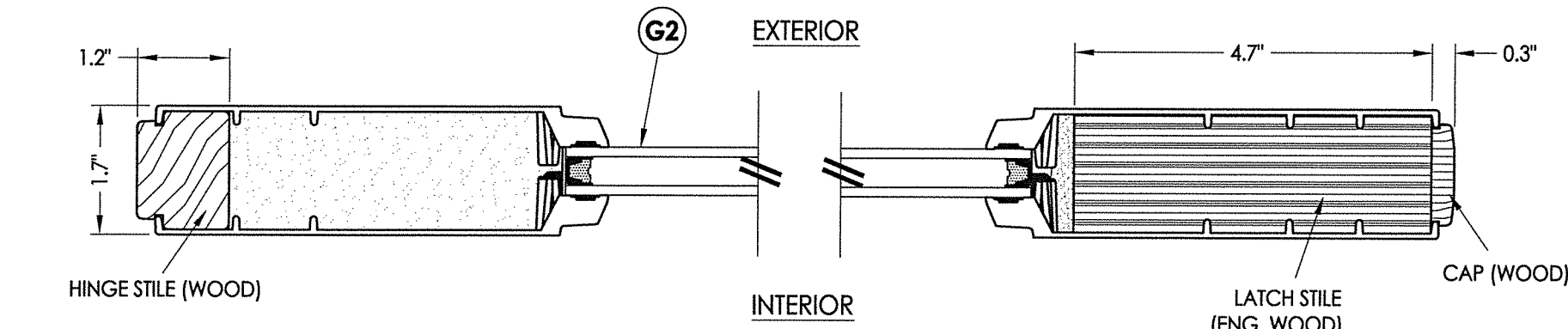
SCALE: N.T.S.

DWG. BY: JK

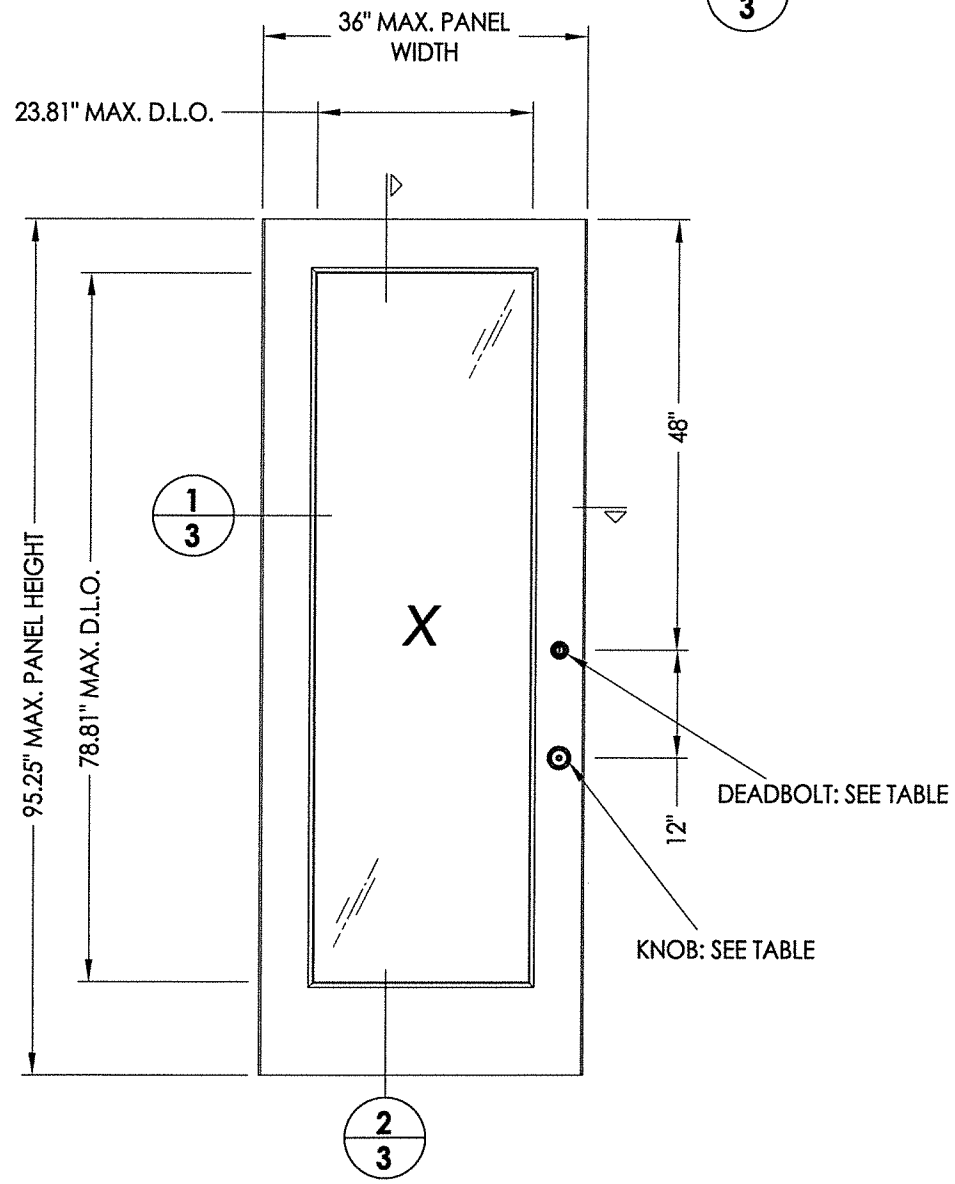
CHK. BY: LFS

DRAWING NO.: TX-4264

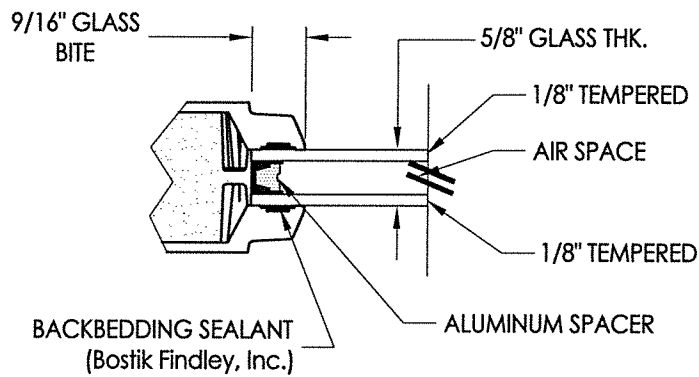
SHEET 2 OF 12



**1**  
**3** HORIZONTAL CROSS SECTION

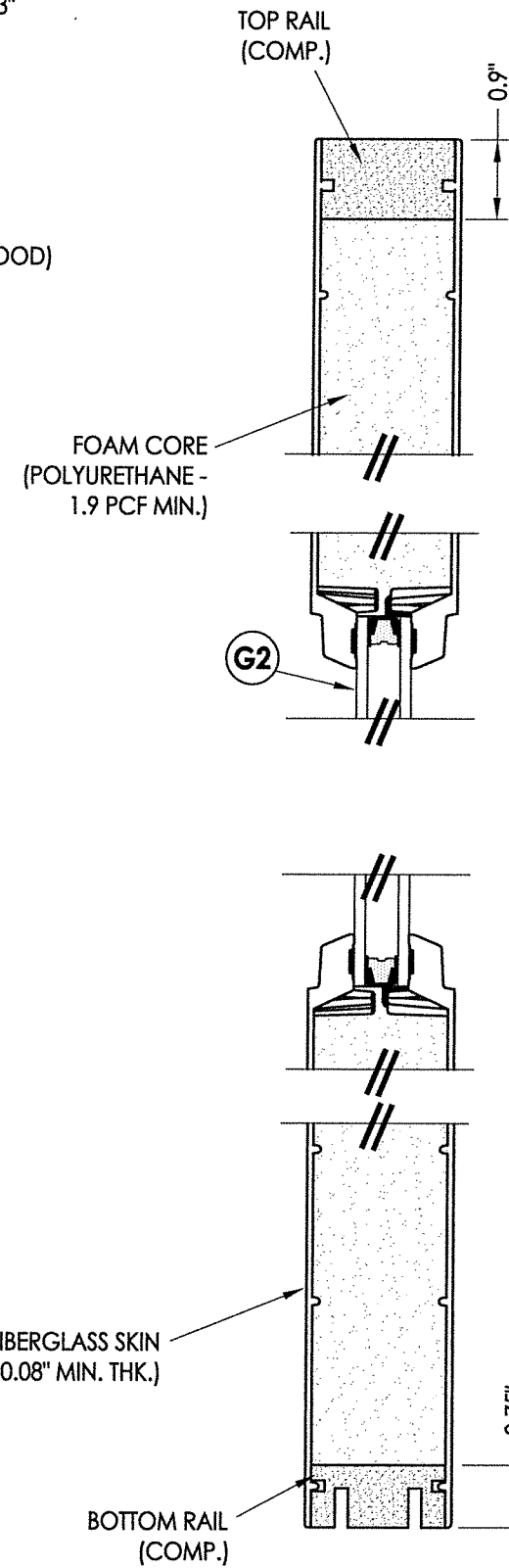


**41** DOOR PANEL  
Smooth Star/Fiber Classic

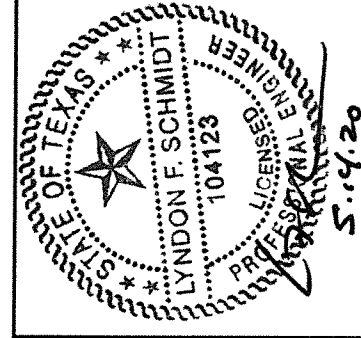


**G2** GLAZING DETAIL  
Flush Glazed

HARDWARE TABLE	
MANUFACTURER	MODEL
KWIKSET	KNOB: SIGNATURE SERIES
	DEADBOLT: SIGNATURE SERIES (980)
SCHLAGE	KNOB: "F" SERIES
	DEADBOLT: "B" SERIES



**2**  
**3** VERTICAL CROSS SECTION



Documents Prepared By: Lyndon F. Schmidt, P.E.  
TEXAS P.E. #104123

**RW** BUILDING CONSULTANTS, INC.  
P.O. Box 230 Vairico FL 33595  
Phone No.: 813.659.9197

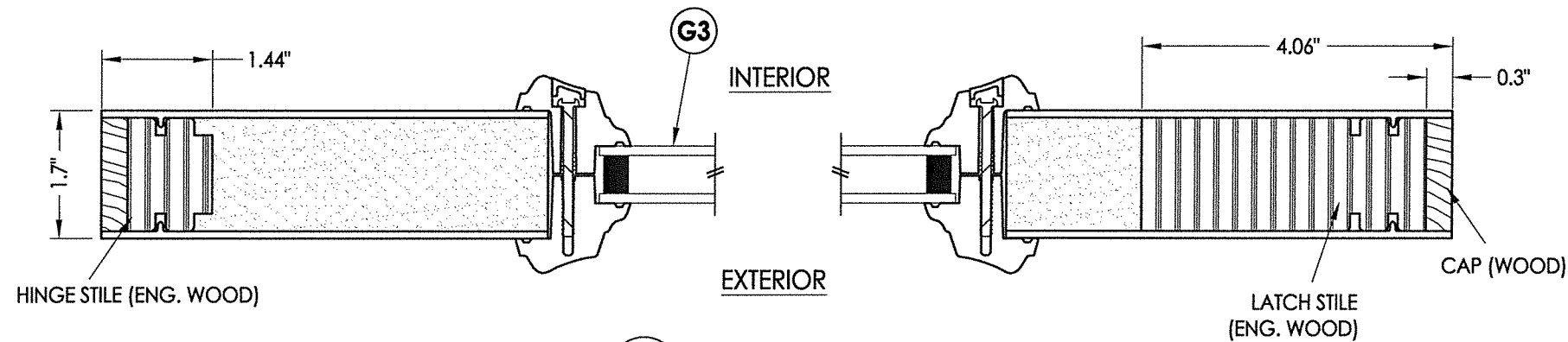
TEXAS BOARD OF PROFESSIONAL ENGINEERS  
CERTIFICATE OF REGISTRATION # F-11852

PRODUCT: THERMA-TRU  
FIBERGLASS DOOR

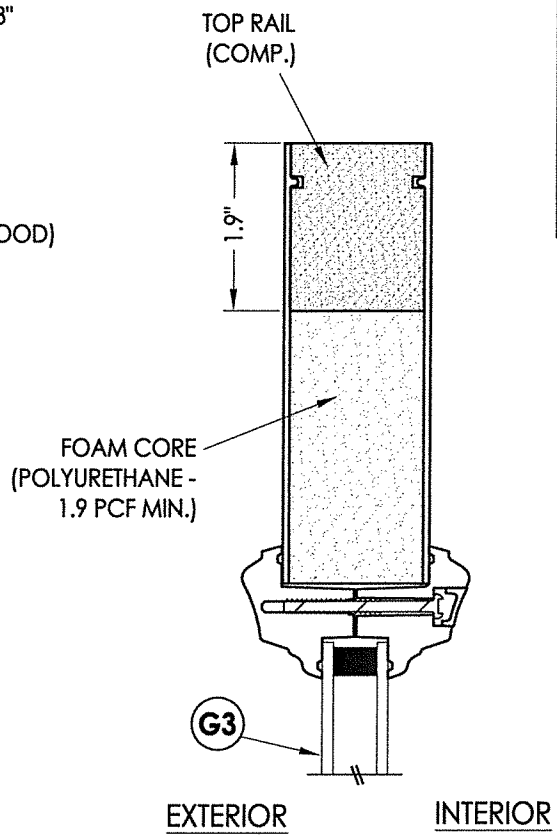
PART OR ASSEMBLY:  
DOOR PANEL & GLAZING DETAIL  
(SMOOTH STAR/FIBER CLASSIC)

NO.	DATE	REVISIONS
3	5/14/20	UPDATE TO 2018 IBC/IRC CODE
2	9/05/18	REVISED LITE SCREW SPACING
1	7/22/15	ADDED GENERAL NOTE 5.
		BY

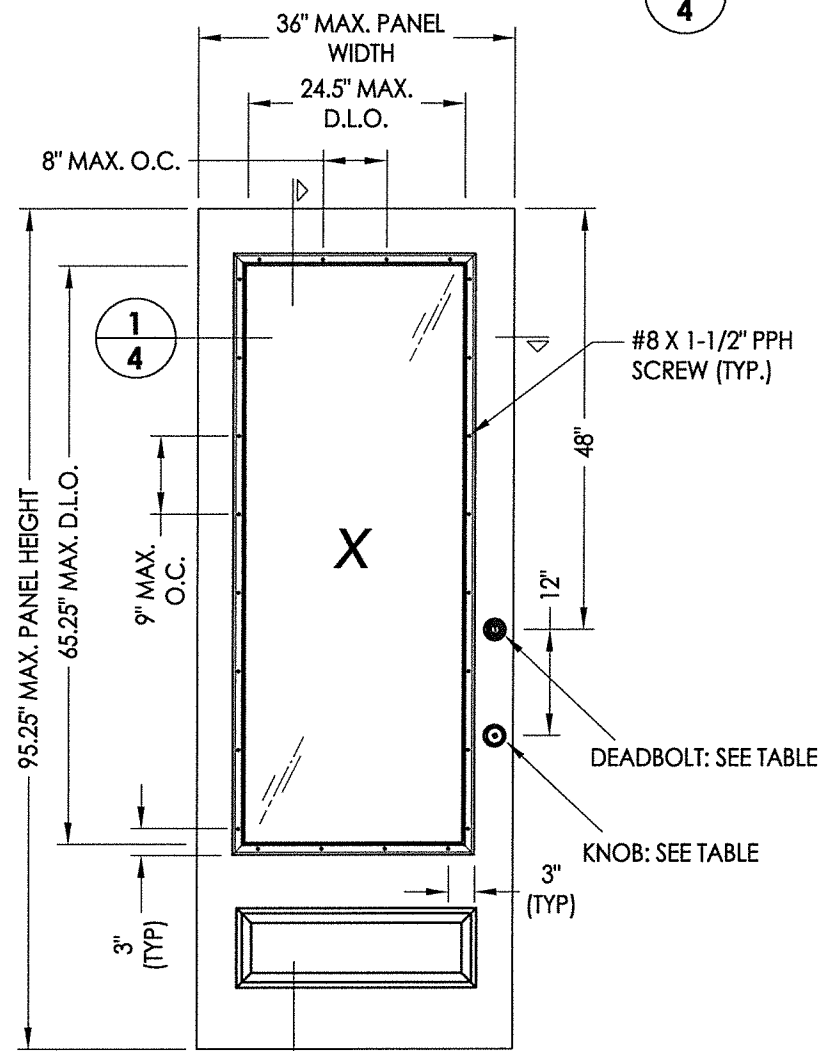
DATE: 10/08/12  
SCALE: N.T.S.  
DWG. BY: JK  
CHK. BY: LFS  
DRAWING NO.: TX-4264  
SHEET 3 OF 12



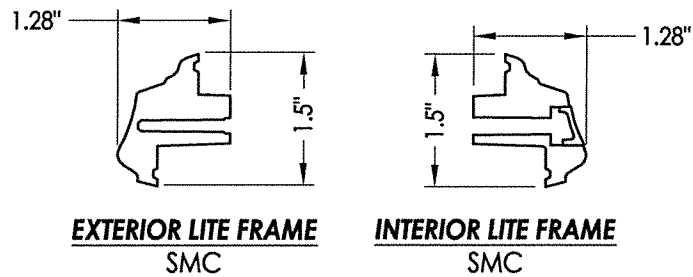
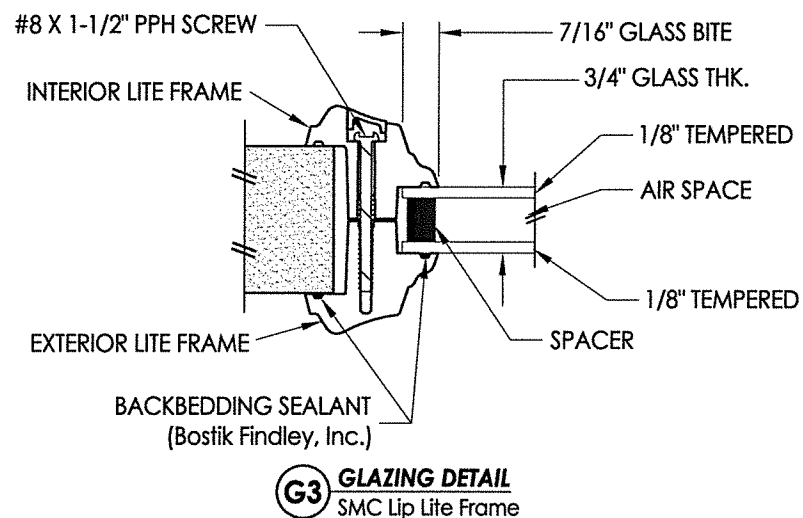
**1**  
**4** HORIZONTAL CROSS SECTION



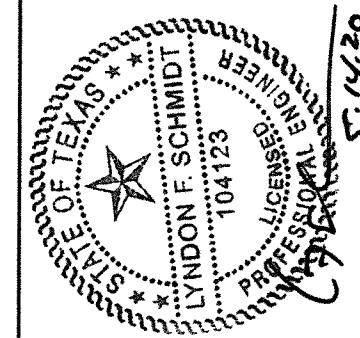
**2**  
**4** VERTICAL CROSS SECTION



**2**  
**4** DOOR PANEL  
Classic Craft



HARDWARE TABLE			
MANUFACTURER	MODEL	DEADBOLT STRIKE PLATE	MAX. DESIGN PRESSURE
KWIKSET	KNOB: SIGNATURE SERIES	STANDARD STRIKE	+40/-50 PSF (INSWING) +40/-40 PSF (OUTSWING)
	DEADBOLT: SIGNATURE SERIES (980)	SECURITY STRIKE	+47/-50 PSF (INSWING) +47/-47 PSF (OUTSWING)



Documents Prepared By: Lyndon F. Schmidt, P.E.  
TEXAS P.E. #104123

**RW** BUILDING CONSULTANTS, INC.  
P.O. Box 230 Valrico FL 33595  
Phone No.: 813.659.9197

TEXAS BOARD OF PROFESSIONAL ENGINEERS  
CERTIFICATE OF REGISTRATION # F-11852

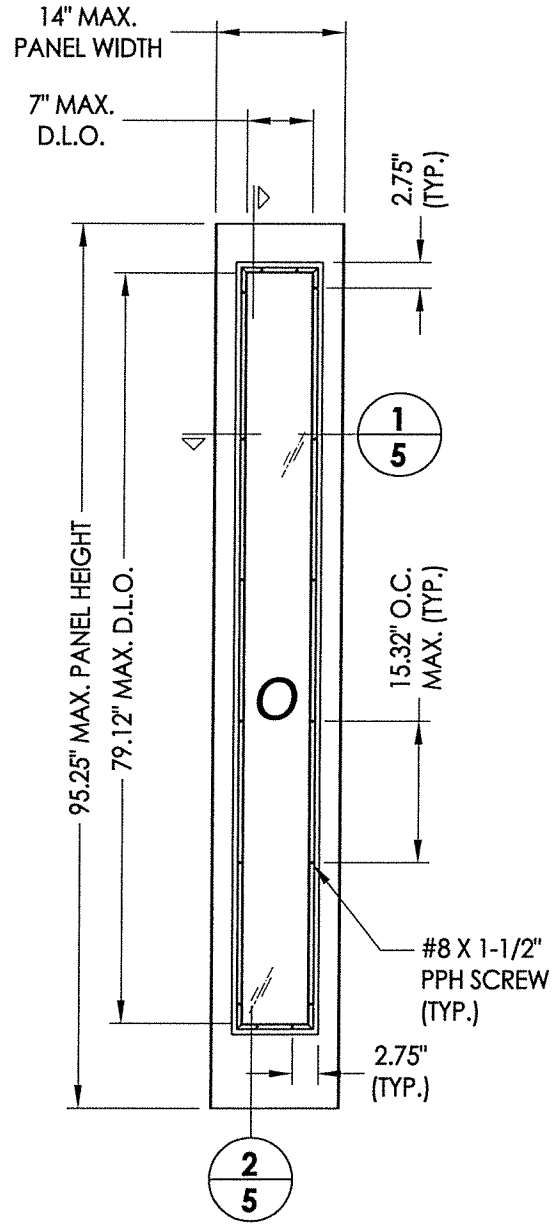
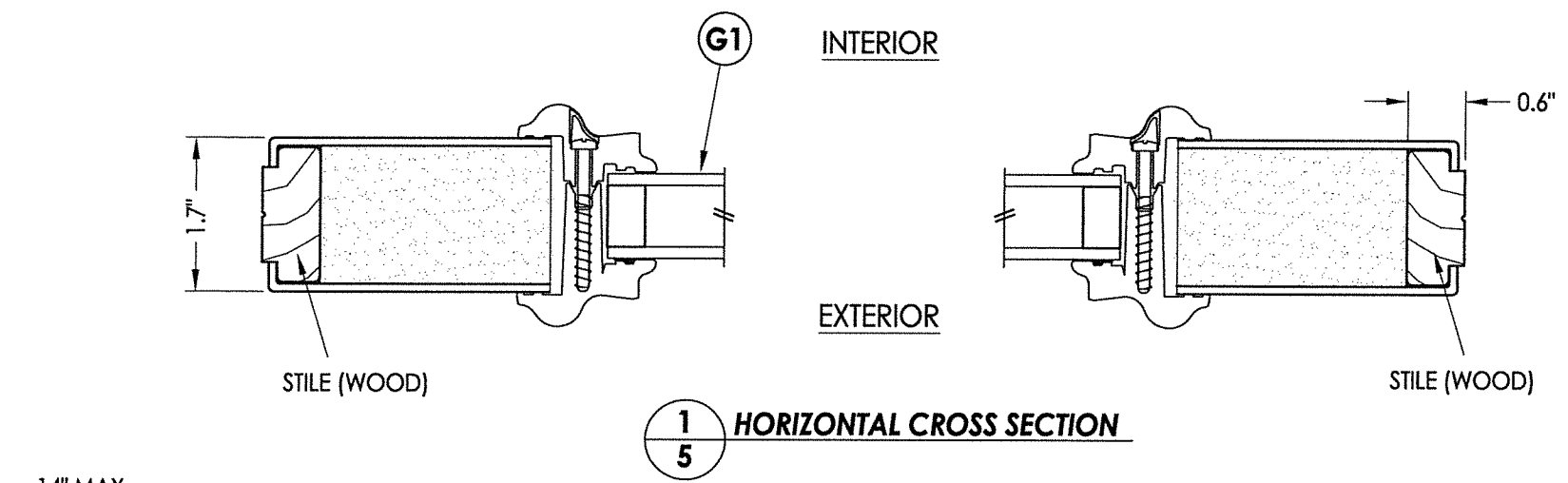
PRODUCT: THERMA-TRU  
FIBERGLASS DOOR

PART OR ASSEMBLY:  
DOOR PANEL & GLAZING DETAIL  
(CLASSIC CRAFT)

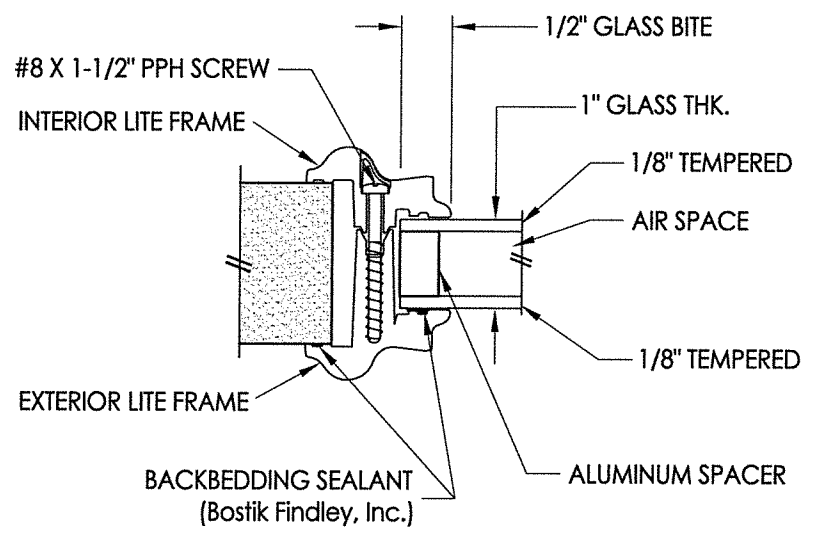
NO.	DATE	BY	REVISIONS
3	5/14/20	LFS	UPDATE TO 2018 IBC/IRC CODE
2	9/05/18	LFS	REVISED LITE SCREW SPACING
1	7/22/15	LFS	ADDED GENERAL NOTE 5.

DATE: 10/08/12  
SCALE: N.T.S.  
DWG. BY: JK  
CHK. BY: LFS  
DRAWING NO.: TX-4264  
SHEET 4 OF 12

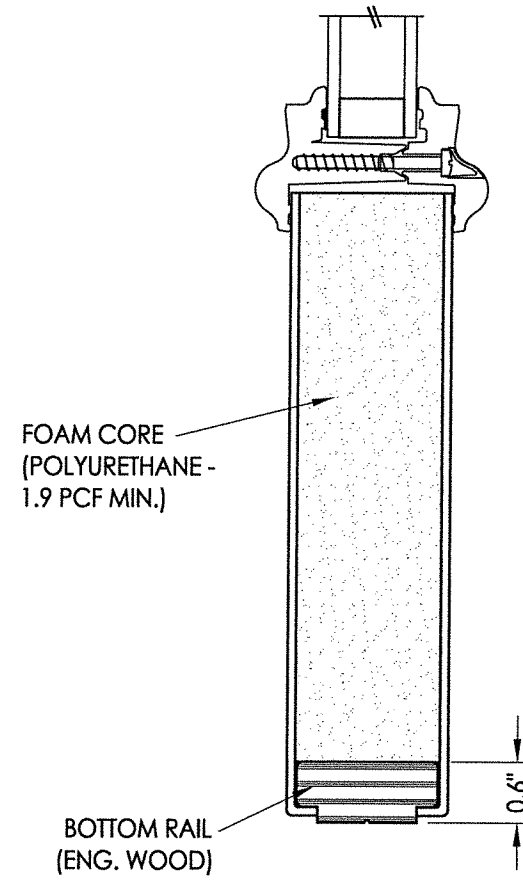
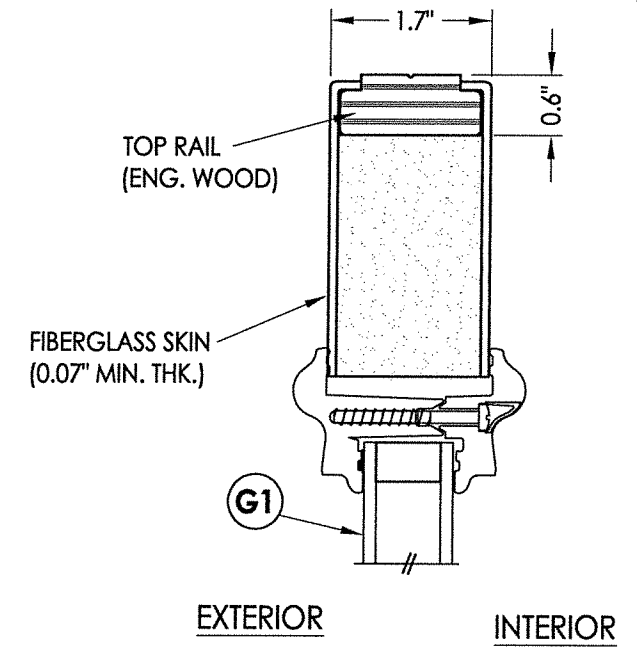
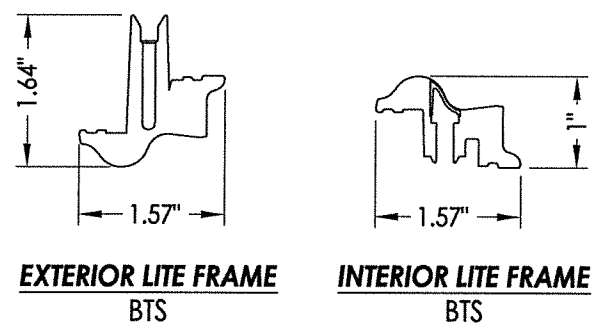
R:\Clients\Therma Tru PERMANENT\B - Texas Dept of Ins\TDI - DR 602 - 68 - 80 Glazed FG NonImp IS - OS Sgls Dbls w SLIC - Drawings\TX-4264.dwg, 5



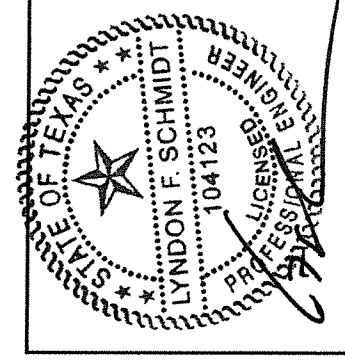
**50** SIDELITE PANEL  
Smooth Star/Fiber Classic



**G1** GLAZING DETAIL  
Lip Lite Frame



**2**  
**5** VERTICAL CROSS SECTION

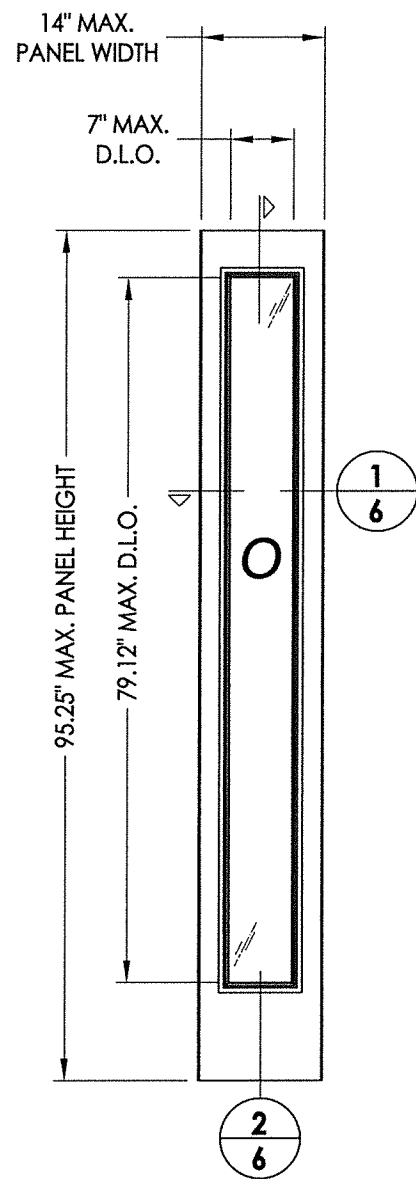


Documents Prepared By: Lyndon F. Schmidt, P.E.  
TEXAS P.E. #104123

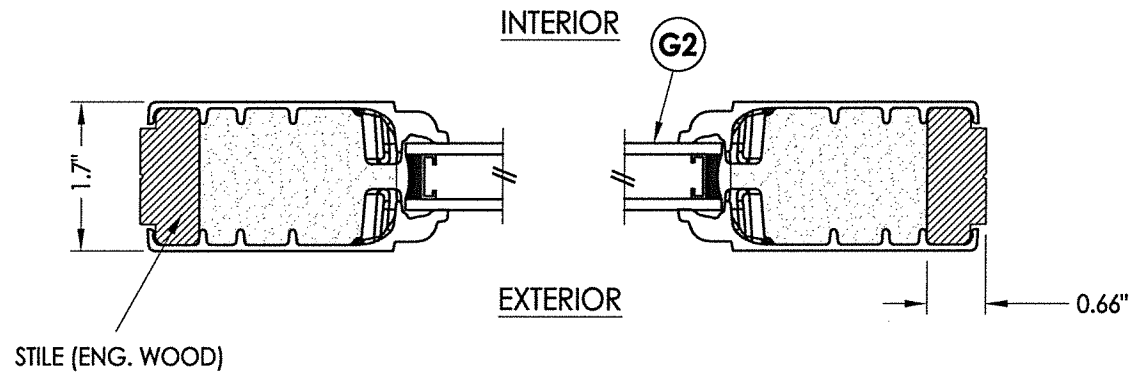
**RW** BUILDING CONSULTANTS, INC.  
P.O. Box 230 Valrico FL 33595  
Phone No.: 813.699.9197

TEXAS BOARD OF PROFESSIONAL ENGINEERS  
CERTIFICATE OF REGISTRATION # F-11852

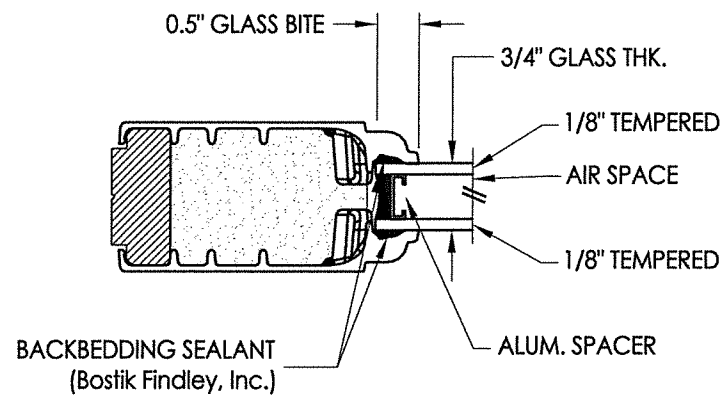
PRODUCT:		THERMA-TRU FIBERGLASS DOOR	
PART OR ASSEMBLY:		SIDELITE PANEL & GLAZING DETAIL (SMOOTH STAR/FIBER CLASSIC)	
NO.	DATE	BY	REVISIONS
3	5/14/20	LFS	UPDATE TO 2018 IBC/IRC CODE
2	9/05/18	LFS	REVISED LITE SCREW SPACING
1	7/22/15	LFS	ADDED GENERAL NOTE 5.
DATE: 10/08/12			
SCALE: N.T.S.			
DWG. BY: JK			
CHK. BY: LFS			
DRAWING NO.: TX-4264			
SHEET 5 OF 12			



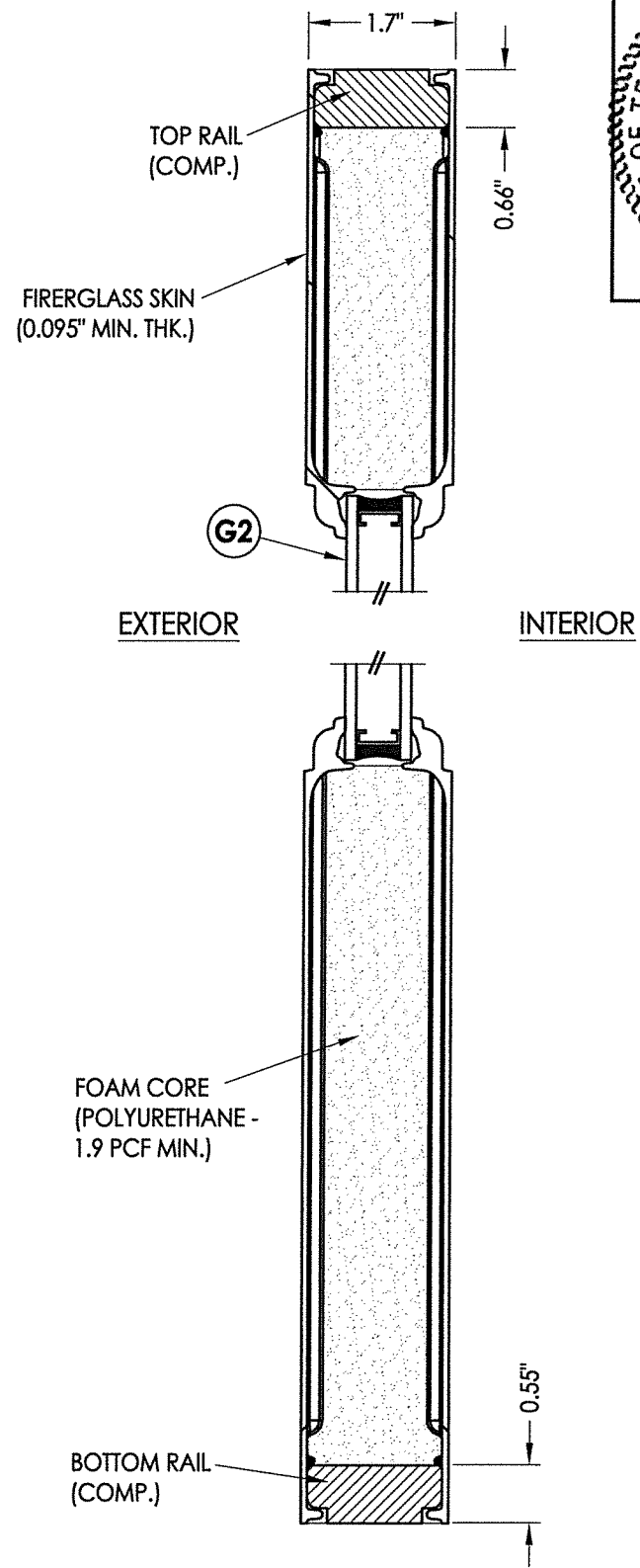
**51 SIDELITE PANEL**  
Classic Craft



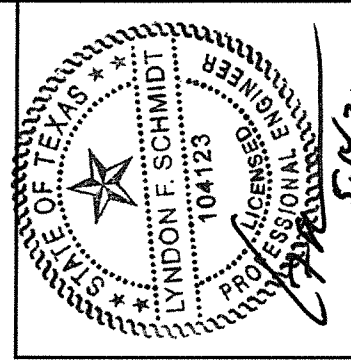
**1 HORIZONTAL CROSS SECTION**



**G2 GLAZING DETAIL**  
Flush Glazed



**2 VERTICAL CROSS SECTION**



Documents Prepared By: Lyndon F. Schmidt, P.E.  
TEXAS P.E. #104123

**RW** BUILDING CONSULTANTS, INC.  
P.O. Box 230 Valrico FL 33595  
Phone No.: 813.659.9197

TEXAS BOARD OF PROFESSIONAL ENGINEERS  
CERTIFICATE OF REGISTRATION # F-11852

PRODUCT: THERMA-TRU  
FIBERGLASS DOOR  
PART OR ASSEMBLY:  
SIDELITE PANEL & GLAZING DETAIL  
(CLASSIC CRAFT)

NO.	DATE	REVISIONS
3	5/14/20	UPDATE TO 2018 IBC/IRC CODE
2	9/05/18	REVISED LITE SCREW SPACING
1	7/22/15	ADDED GENERAL NOTE 5.

DATE: 10/08/12

SCALE: N.T.S.

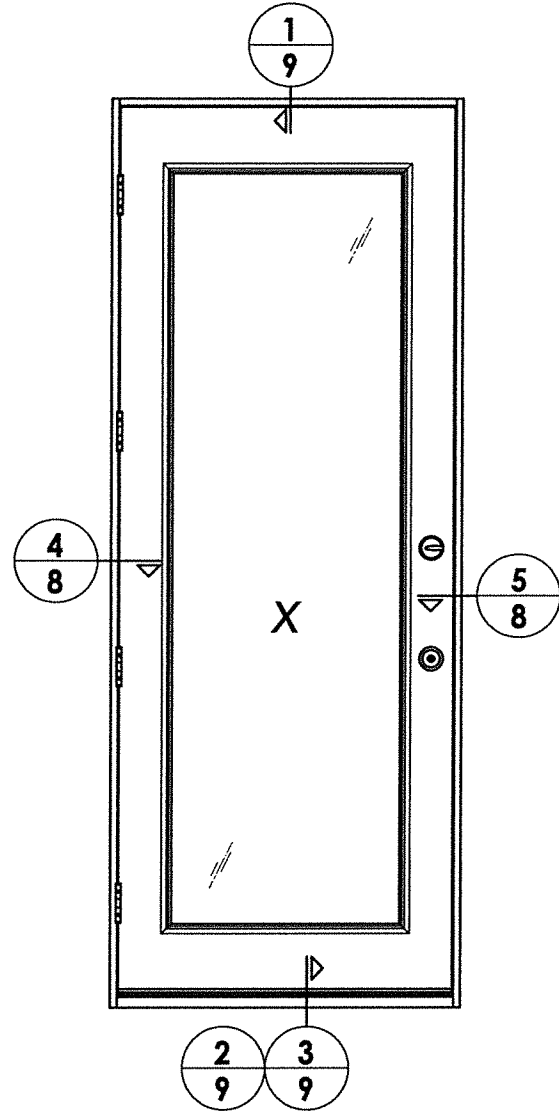
DWG. BY: JK

CHK. BY: LFS

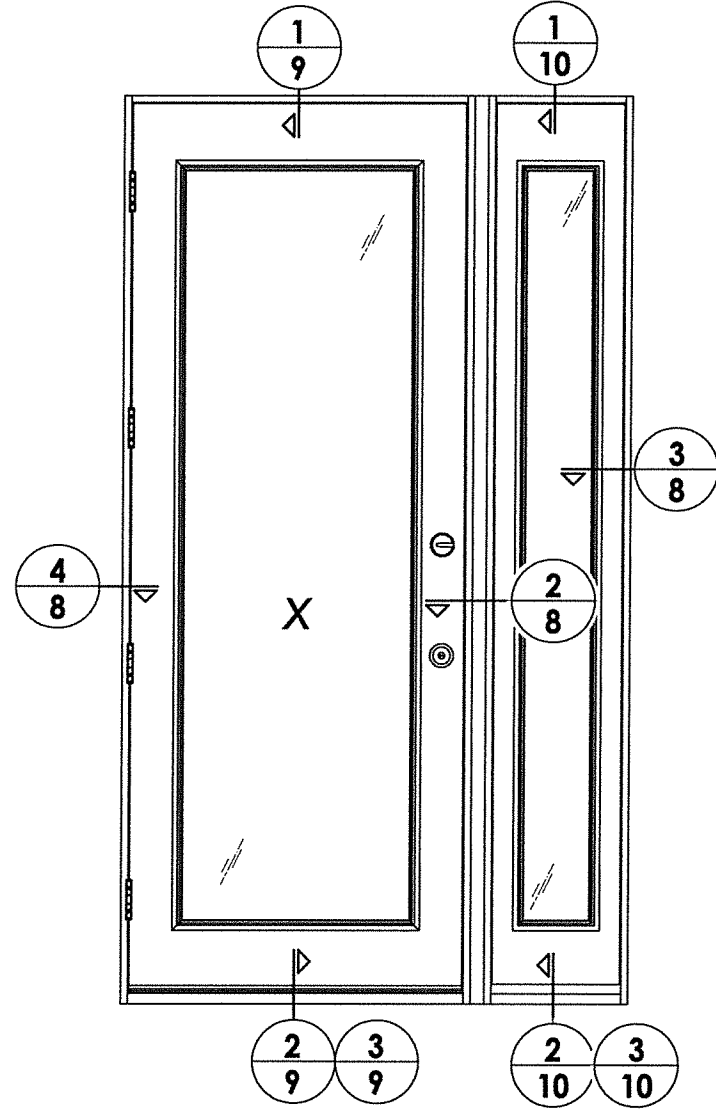
DRAWING NO.:

TX-4264

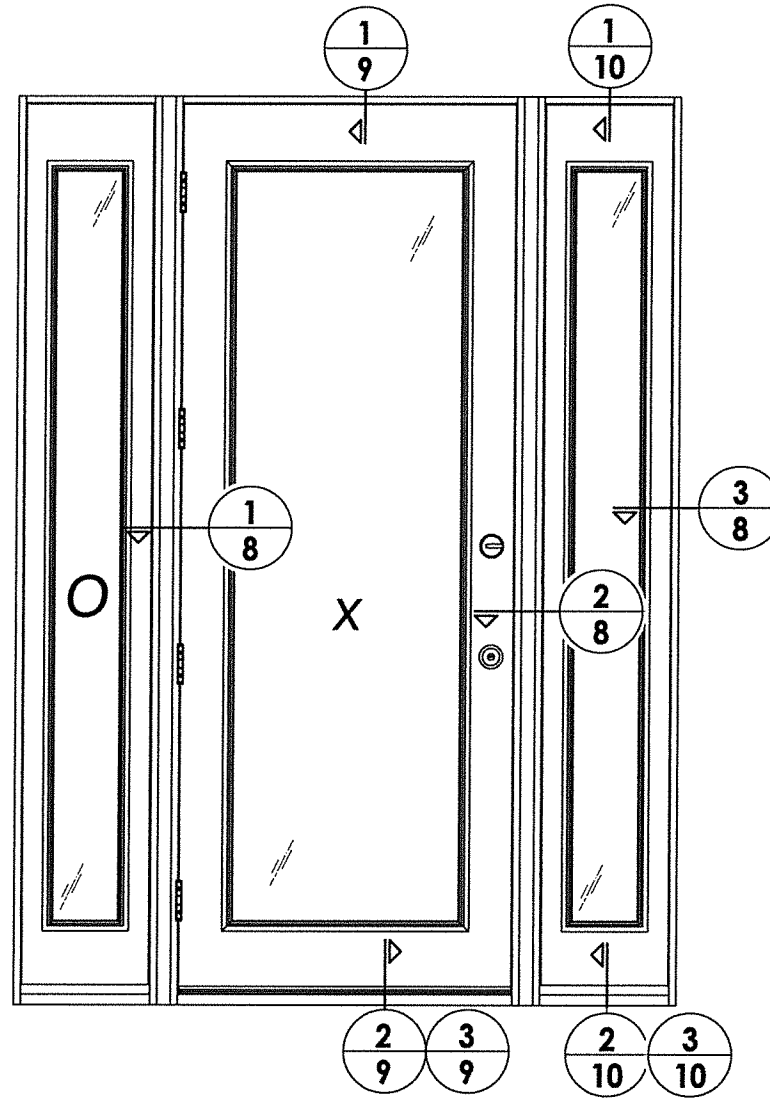
SHEET 6 OF 12



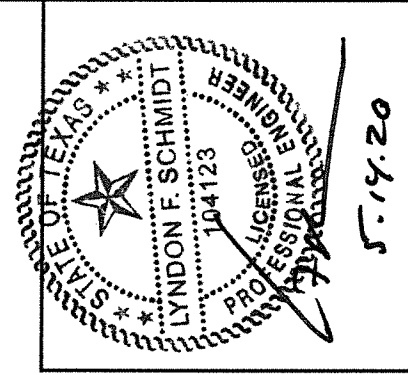
ELEVATION (X)



ELEVATION (OX / XO)



ELEVATION (OXO)

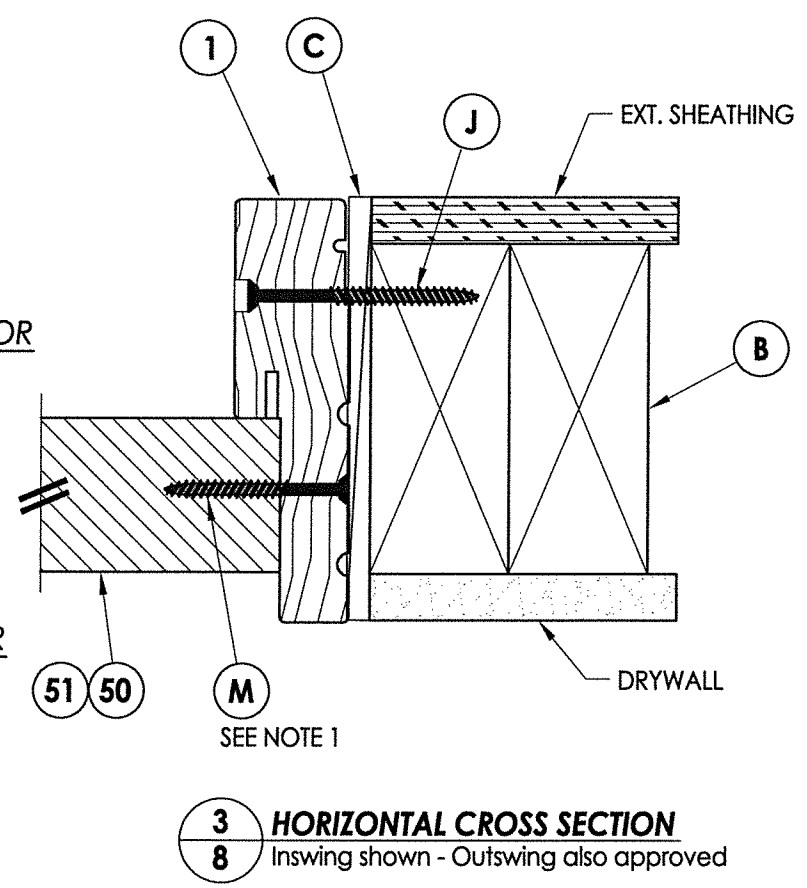
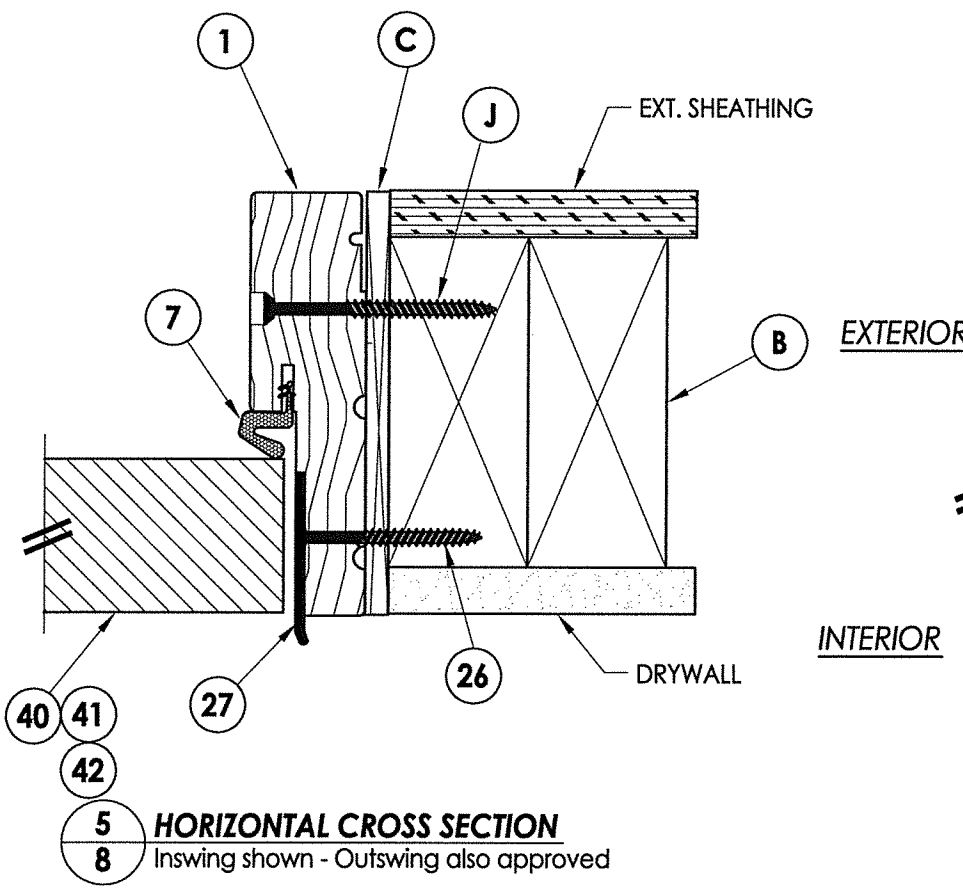
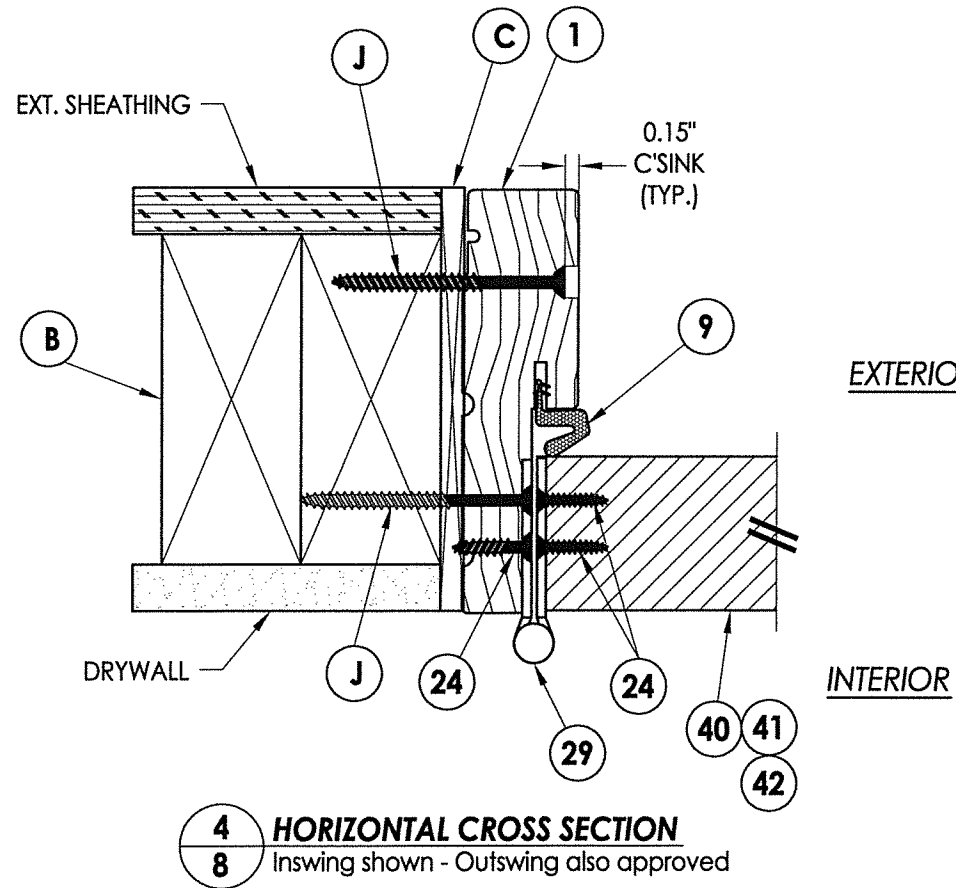
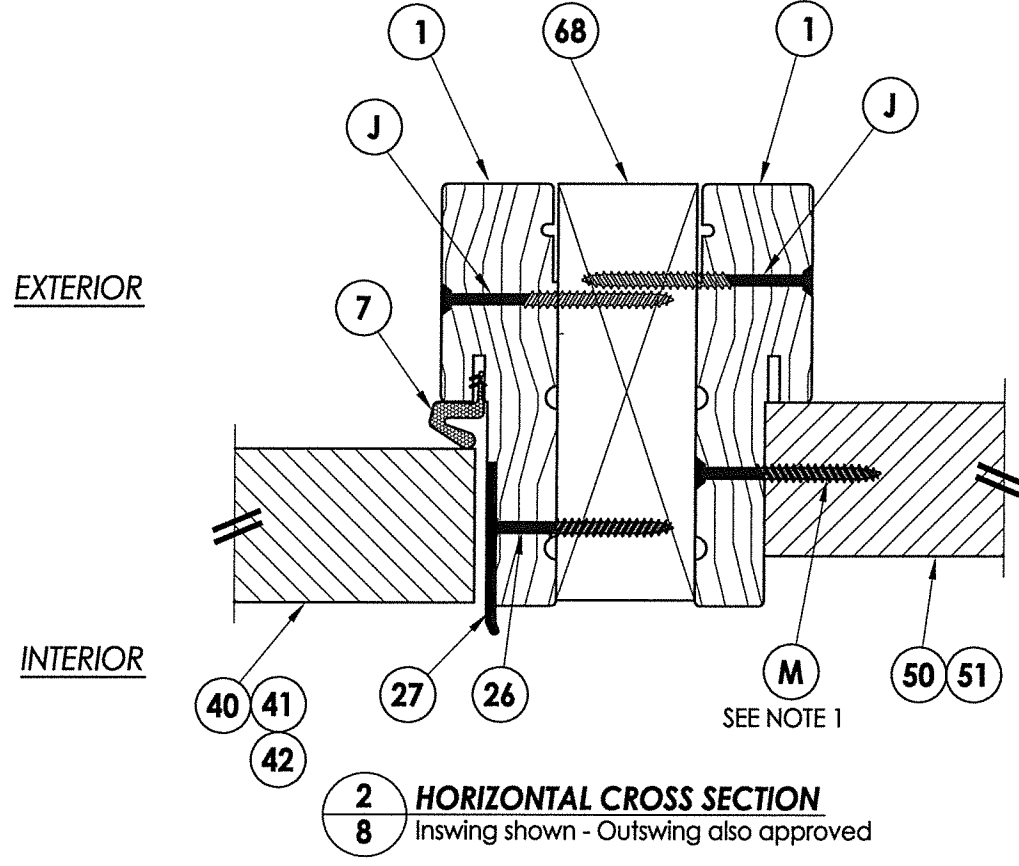
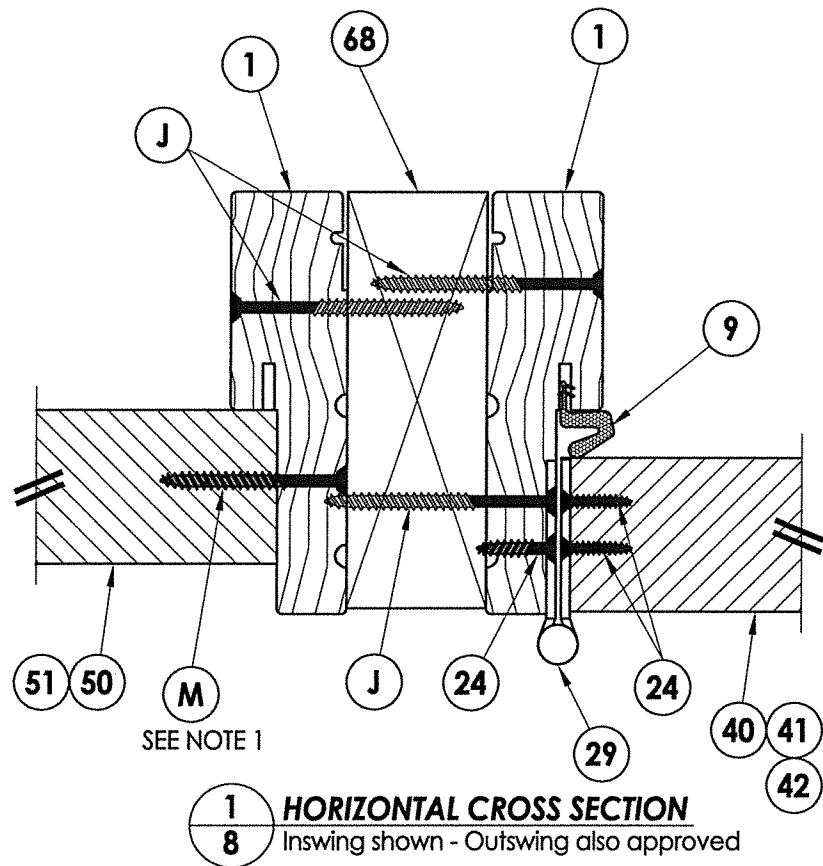


Documents Prepared By: Lyndon F. Schmidt, P.E.  
TEXAS P.E. #104123

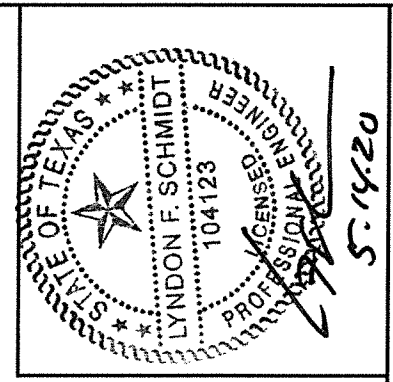
**RW** BUILDING CONSULTANTS, INC.  
P.O. Box 230 Valrico FL 33595  
Phone No.: 813.659.9197

TEXAS BOARD OF PROFESSIONAL ENGINEERS  
CERTIFICATE OF REGISTRATION # F-11852

PRODUCT:		THERMA-TRU FIBERGLASS DOOR	
DATE:		10/08/12	
SCALE:		N.T.S.	
DWG. BY:		JK	
CHK. BY:		LFS	
DRAWING NO.:		TX-4264	
SHEET 7 OF 12			
REVISIONS			
NO.	DATE	DESCRIPTION	BY
3	5/14/20	UPDATE TO 2018 IBC/IRC CODE	LFS
2	9/05/18	REVISED LITE SCREW SPACING	LFS
1	7/22/15	ADDED GENERAL NOTE 5.	LFS



Note:  
 1. Sidelite assembly screws located 11-1/2" from each end plus 1 more at the center of jamb (3 total).



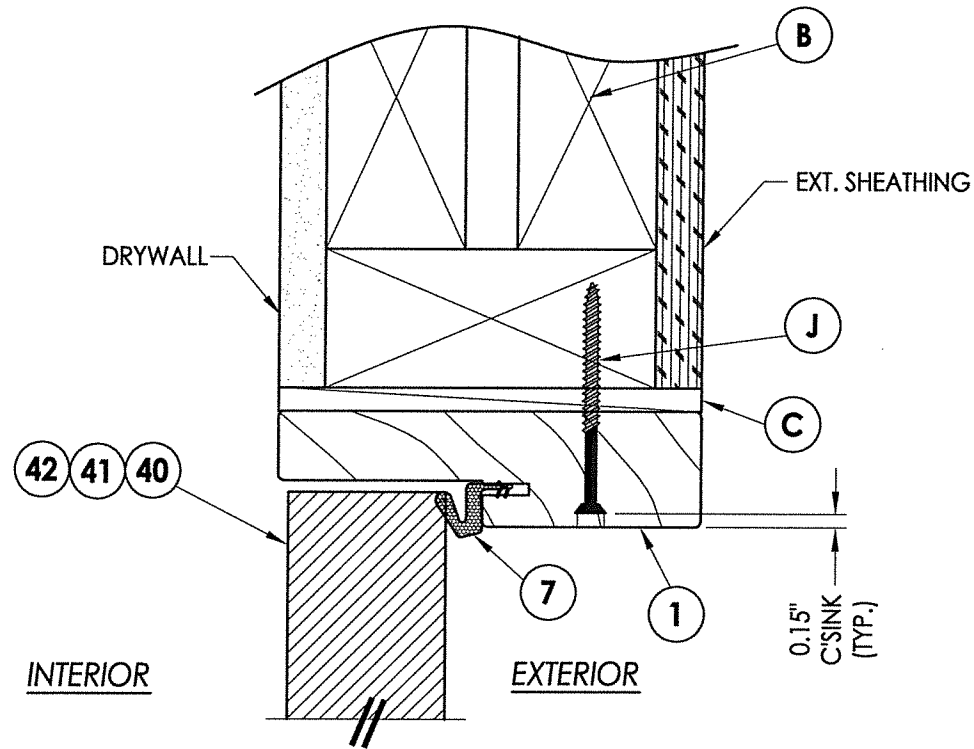
Documents Prepared By: Lyndon F. Schmidt, P.E.  
 TEXAS P.E. #104123  
 RW BUILDING CONSULTANTS, INC.  
 P.O. Box 230 Valrico FL 33595  
 Phone No.: 813.659.9197  
 TEXAS BOARD OF PROFESSIONAL ENGINEERS  
 CERTIFICATE OF REGISTRATION # F-11852

PRODUCT: THERMA-TRU FIBERGLASS DOOR  
 PART OR ASSEMBLY: HORIZONTAL CROSS SECTIONS

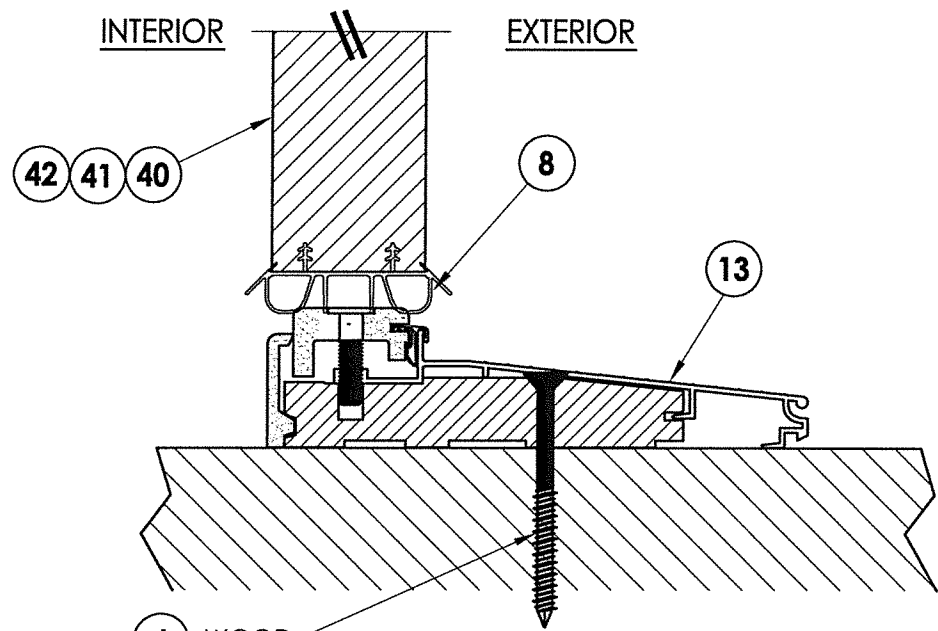
NO.	DATE	BY	REVISIONS
3	5/14/20	LFS	UPDATE TO 2018 IBC/IRC CODE
2	9/05/18	LFS	REVISED LITE SCREW SPACING
1	7/22/15	LFS	ADDED GENERAL NOTE 5.

DATE: 10/08/12  
 SCALE: N.T.S.  
 DWG. BY: JK  
 CHK. BY: LFS  
 DRAWING NO.: TX-4264  
 SHEET 8 OF 12

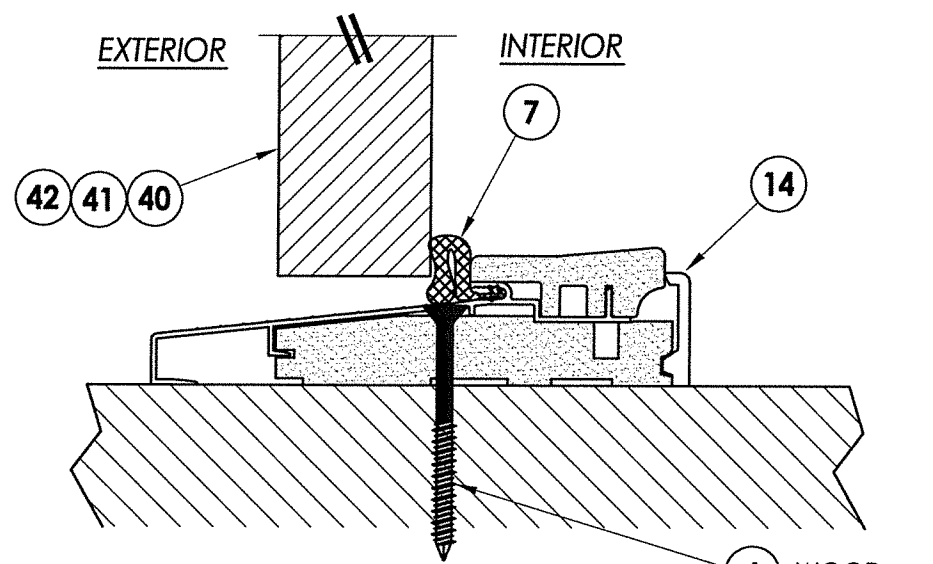




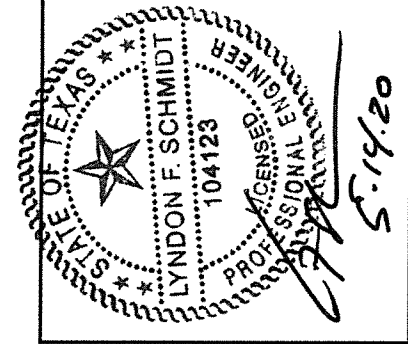
**1 VERTICAL CROSS SECTION**  
 9 Inswing shown - Outswing also approved



**2 VERTICAL CROSS SECTION**  
 9 Inswing configuration



**3 VERTICAL CROSS SECTION**  
 9 Outswing configuration



Documents Prepared By: Lyndon F. Schmidt, P.E.  
 TEXAS P.E. #104123

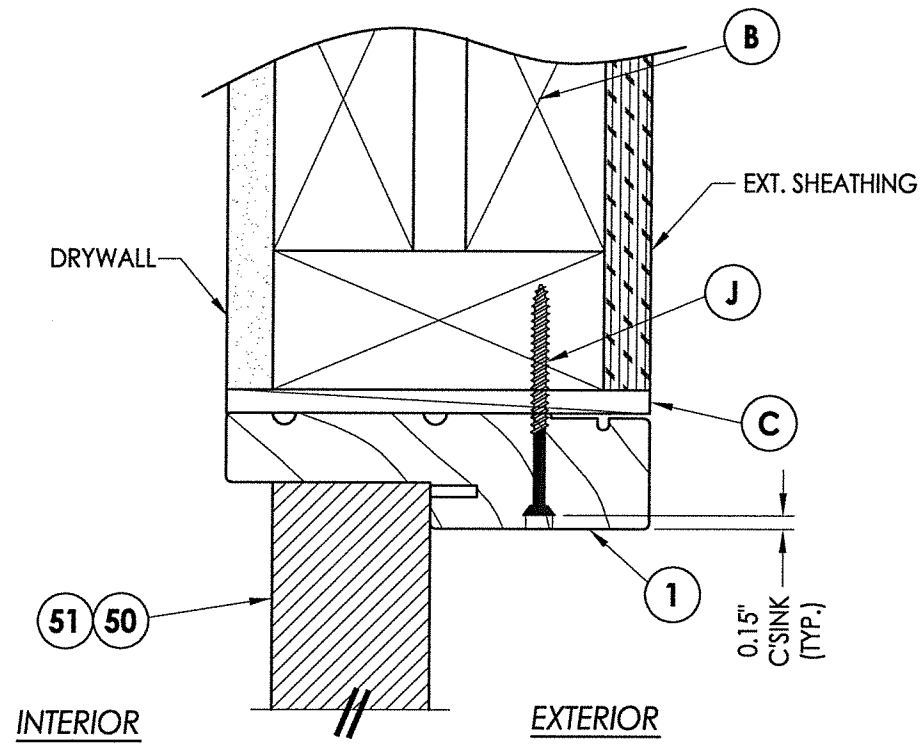
**RW** BUILDING CONSULTANTS, INC.  
 P.O. Box 230 Vairico FL. 33595  
 Phone No.: 813.659.9197  
 TEXAS BOARD OF PROFESSIONAL ENGINEERS  
 CERTIFICATE OF REGISTRATION # F-11852

PRODUCT: THERMA-TRU FIBERGLASS DOOR  
 PART OR ASSEMBLY: VERTICAL CROSS SECTIONS

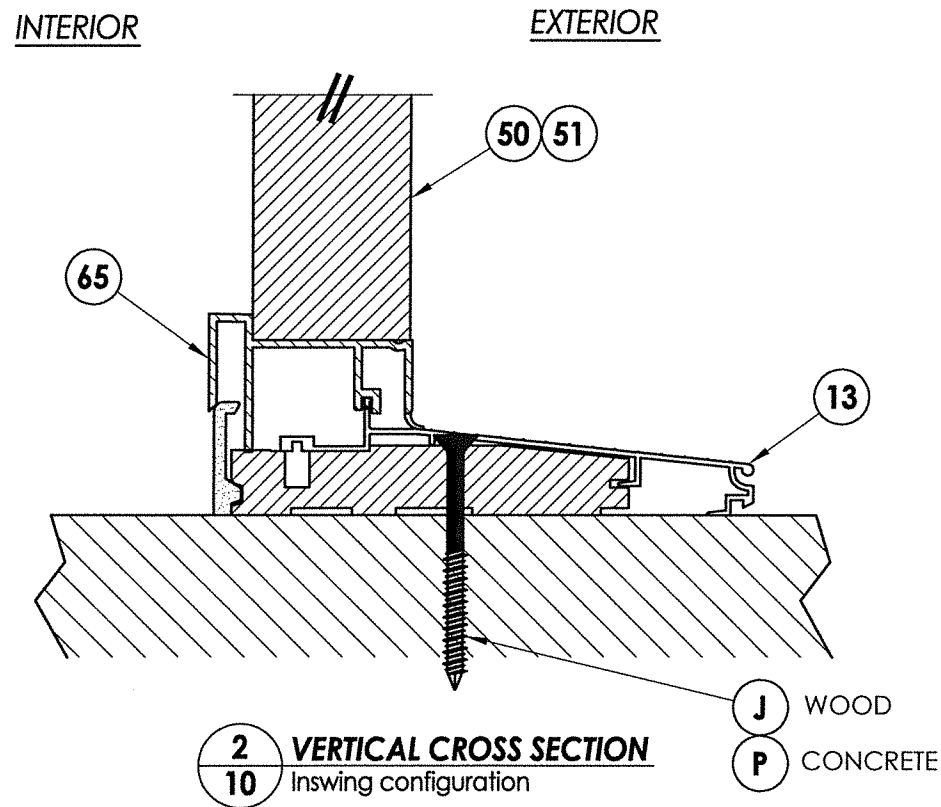
NO.	DATE	BY	REVISIONS
3	5/14/20	LFS	UPDATE TO 2018 IBC/IRC CODE
2	9/05/18	LFS	REVISED LITE SCREW SPACING
1	7/22/15	LFS	ADDED GENERAL NOTE 5.

DATE: 10/08/12  
 SCALE: N.T.S.  
 DWG. BY: JK  
 CHK. BY: LFS  
 DRAWING NO.: TX-4264  
 SHEET 9 OF 12

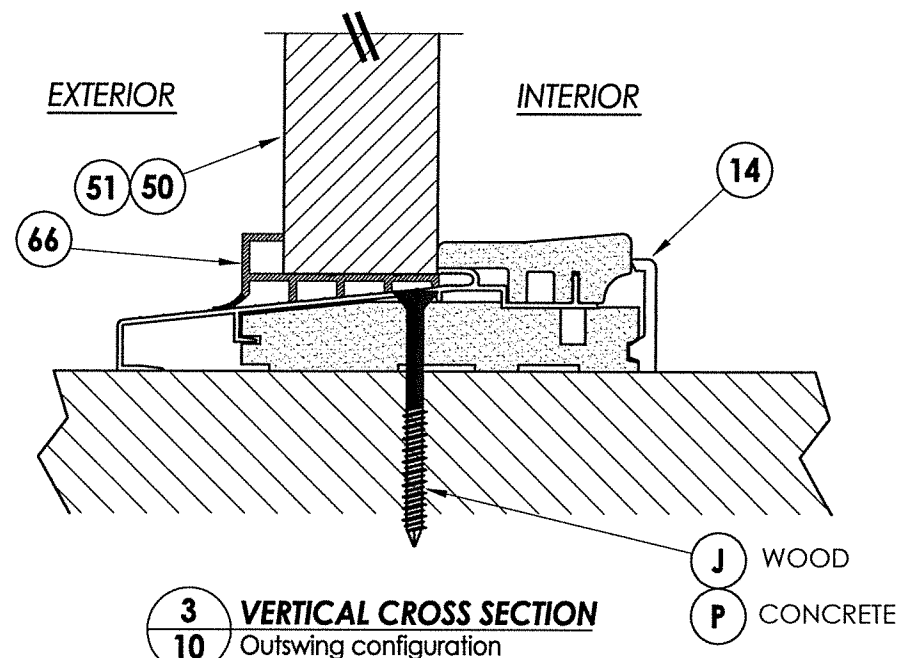
R:\Clients\Therma Tru PERMANENT\B - Texas Dept of Ins\TDL - DR 602 - 68 - 80 Glazed FG NonImp IS - OS Sgls Dbis w SL\C - Drawings\TX-4264.dwg, 10



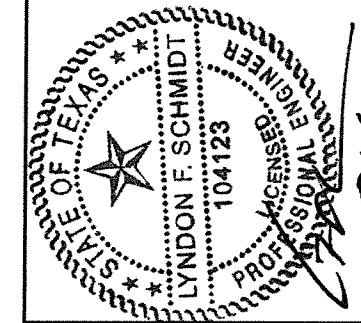
**1** VERTICAL CROSS SECTION  
**10** Inswing shown - Outswing also approved



**2** VERTICAL CROSS SECTION  
**10** Inswing configuration



**3** VERTICAL CROSS SECTION  
**10** Outswing configuration



Documents Prepared By: Lyndon F. Schmidt, P.E.  
 TEXAS P.E. #104123

**RW** BUILDING CONSULTANTS, INC.  
 P.O. Box 230 Valrico FL 33595  
 Phone No.: 813.659.9197

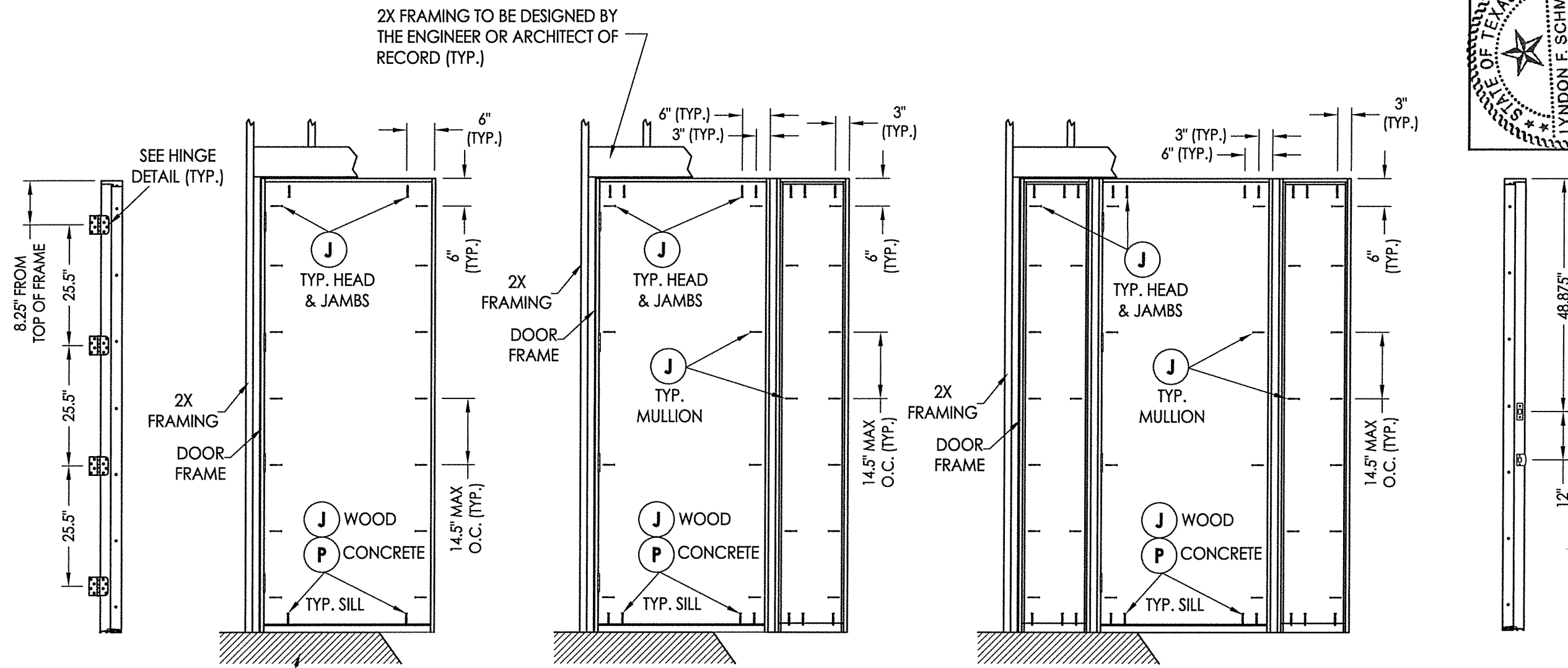
TEXAS BOARD OF PROFESSIONAL ENGINEERS  
 CERTIFICATE OF REGISTRATION # F-11852

PRODUCT: THERMA-TRU FIBERGLASS DOOR  
 PART OR ASSEMBLY: VERTICAL CROSS SECTIONS

NO.	DATE	REVISIONS
3	5/14/20	UPDATE TO 2018 IBC/IRC CODE
2	9/05/18	REVISED LITE SCREW SPACING
1	7/22/15	ADDED GENERAL NOTE 5.
		BY

DATE: 10/08/12  
 SCALE: N.T.S.  
 DWG. BY: JK  
 CHK. BY: LFS  
 DRAWING NO.: TX-4264  
 SHEET 10 of 12

R:\Clients\Therma Tru PERMANENT\B - Texas Dept of Ins\YDI - DR 602 - 68 - 80 Glazed FG NonImp IS - OS Sgls Dbls w SL\C - Drawings\TX-4264.dwg, 11



**HINGE JAMB**

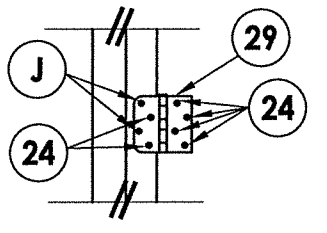
**FRAME ANCHORING**  
X

**FRAME ANCHORING**  
XO / OX

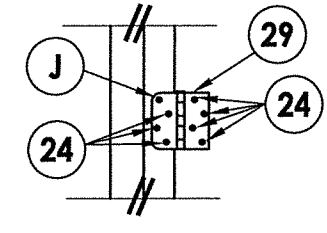
**FRAME ANCHORING**  
OXO

**STRIKE JAMB**

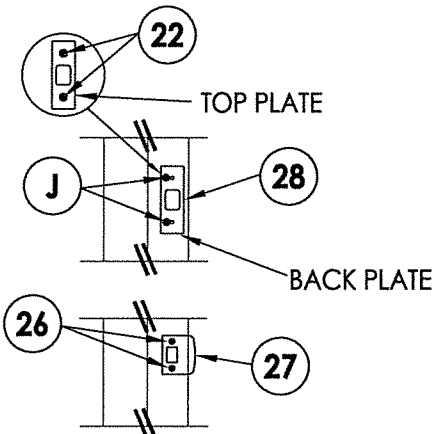
FLOOR SUBSTRATE MATERIAL (TYP.)  
CONCRETE (MIN. 3000 PSI)  
WOOD (S.G. >= 0.42)



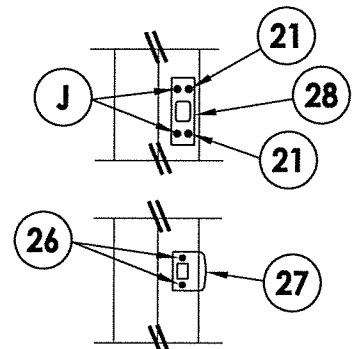
**HINGE DETAIL**  
Inswing



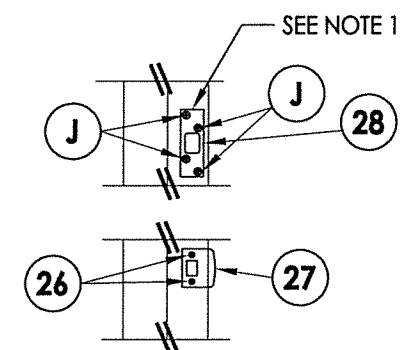
**HINGE DETAIL**  
Outswing



**LATCH & DEADBOLT STRIKE DETAIL**  
Schlage Hardware - Standard Strike

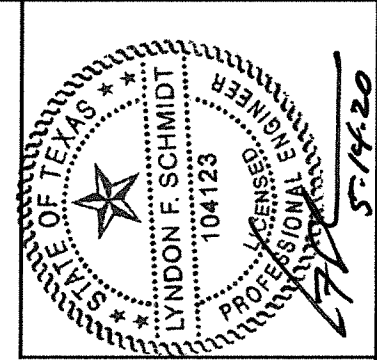


**LATCH & DEADBOLT STRIKE DETAIL**  
Kwikset Hardware - Standard Strike



**LATCH & DEADBOLT STRIKE DETAIL**  
Kwikset Hardware - Security Strike

NOTE :  
1. Security Strike required when Positive DP > 40 PSF.



Documents Prepared By: Lyndon F. Schmidt, P.E.  
TEXAS P.E. #104123

**RW** BUILDING CONSULTANTS, INC.  
P.O. Box 230 Vairico FL 33595  
Phone No.: 813.659.9197

TEXAS BOARD OF PROFESSIONAL ENGINEERS  
CERTIFICATE OF REGISTRATION # F-11852

PRODUCT:		THERMA-TRU FIBERGLASS DOOR	
PART OR ASSEMBLY:		FRAME ANCHORING	
NO.	DATE	BY	REVISIONS
3	5/14/20	LFS	UPDATE TO 2018 IBC/IRC CODE
2	9/05/18	LFS	REVISED LITE SCREW SPACING
1	7/22/15	LFS	ADDED GENERAL NOTE 5.
DATE: 10/08/12			
SCALE: N.T.S.			
DWG. BY: JK			
CHK. BY: LFS			
DRAWING NO.: TX-4264			
SHEET 11 OF 12			

© 2012 R.W. BUILDING CONSULTANTS INC.

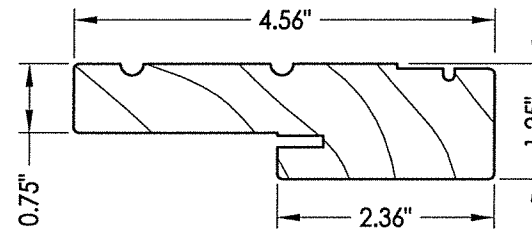
**BILL OF MATERIALS**

ITEM #	DESCRIPTION	MATERIAL
B	2X BUCK (G >= 0.42)	WOOD
C	1/4" MAX. SHIM SPACE	-
J	#10 X 2-1/2" PFH WOOD SCREW (MIN. EMB. = 1.15" HEAD/JAMBS, 1-1/2" SILL)	STEEL
M	#10 X 2" PFH WOOD SCREW	STEEL
P	1/4" PFH ELCO OR ITW CONCRETE SCREW (1-3/4" MIN. EMB.)	STEEL
1	JAMB - FINGER JOINTED PINE	WOOD
7	WEATHERSTRIP (Long Reach by Therma-Tru)	FOAM
8	SWEEP	VINYL
9	WEATHERSTRIP (Medium Reach by Therma-Tru)	FOAM
13	INSWING THRESHOLD	ALUM/COMP
14	OUTSWING THRESHOLD	ALUM/COMP
21	#8 X 5/8" PFH WOOD SCREW	STEEL
22	10-32 X 3/8" PFH MACHINE SCREW	STEEL
24	#10 x 1" PFH WOOD SCREW	STEEL
26	#8 x 2" PFH WOOD SCREW	STEEL
27	LATCH STRIKE PLATE	STEEL
28	DEADBOLT STRIKE PLATE	STEEL
29	4" X 4" HINGE	STEEL
40	DOOR PANEL (SMOOTH STAR/FIBER CLASSIC)	-
41	DOOR PANEL (SMOOTH STAR/FIBER CLASSIC)	-
42	DOOR PANEL (CLASSIC CRAFT)	-
50	SIDELITE PANEL (SMOOTH STAR/FIBER CLASSIC)	-
51	SIDELITE PANEL (CLASSIC CRAFT)	-
65	INSWING SIDELITE ADAPTER	PVC
66	OUTSWING SIDELITE ADAPTER	PVC
68	2X MULLION (G >= 0.55)	WOOD

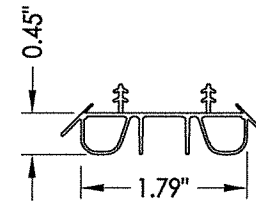
**CONCRETE ANCHOR NOTES:**

- Concrete anchor locations at the corners may be adjusted to maintain the min. edge distance to mortar joints.
- Concrete anchor locations noted as "MAX. ON CENTER" must be adjusted to maintain the min. edge distance to mortar joints, additional concrete anchors may be required to ensure the "MAX. ON CENTER" dimension are not exceeded.
- Concrete anchor table:

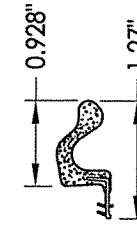
ANCHOR TYPE	ANCHOR SIZE	MIN. EMBEDMENT	MIN. CLEARANCE TO MASONRY EDGE	MIN. CLEARANCE TO ADJACENT ANCHOR
ITW TAPCON®	1/4"	1-3/4"	2-1/2"	3"
ELCO ULTRACON®	1/4"	1-3/4"	1"	3"



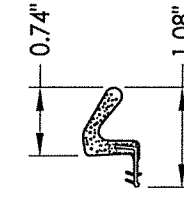
1 WOOD JAMB



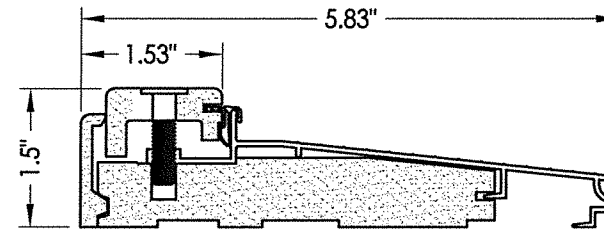
8 SWEEP



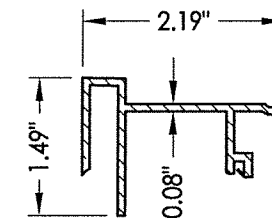
7 WEATHERSTRIP Long Reach



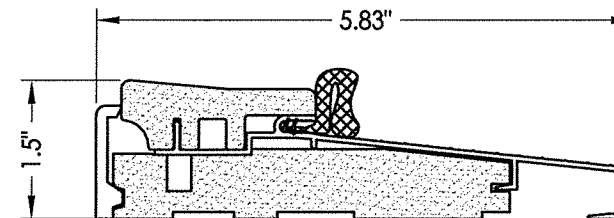
9 WEATHERSTRIP Medium Reach



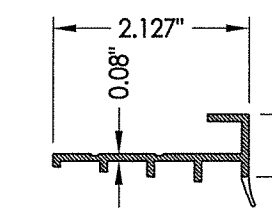
13 INSWING THRESHOLD



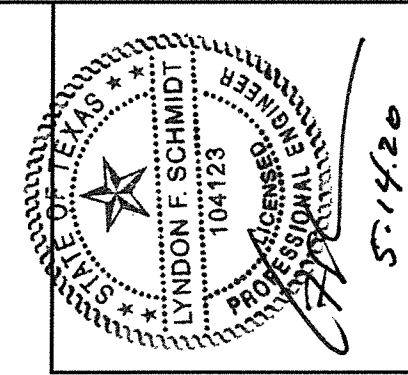
65 INSWING SIDELITE ADAPTER



14 OUTSWING THRESHOLD



66 OUTSWING SIDELITE ADAPTER



Documents Prepared By: Lyndon F. Schmidt, P.E.  
TEXAS P.E. #104123

**RW** BUILDING CONSULTANTS, INC.  
P.O. Box 230 Vairico FL, 33595  
Phone No.: 813.659.9197  
TEXAS BOARD OF PROFESSIONAL ENGINEERS  
CERTIFICATE OF REGISTRATION # F-11852

PRODUCT: THERMA-TRU FIBERGLASS DOOR  
PART OR ASSEMBLY: BILL OF MATERIALS & COMPONENTS

NO.	DATE	REVISIONS
3	5/14/20	UPDATE TO 2018 IBC/IRC CODE
2	9/05/18	REVISED LITE SCREW SPACING
1	7/22/15	ADDED GENERAL NOTE 5.

DATE: 10/08/12  
SCALE: N.T.S.  
DWG. BY: JK  
CHK. BY: LFS  
DRAWING NO.: TX-4264  
SHEET 12 OF 12