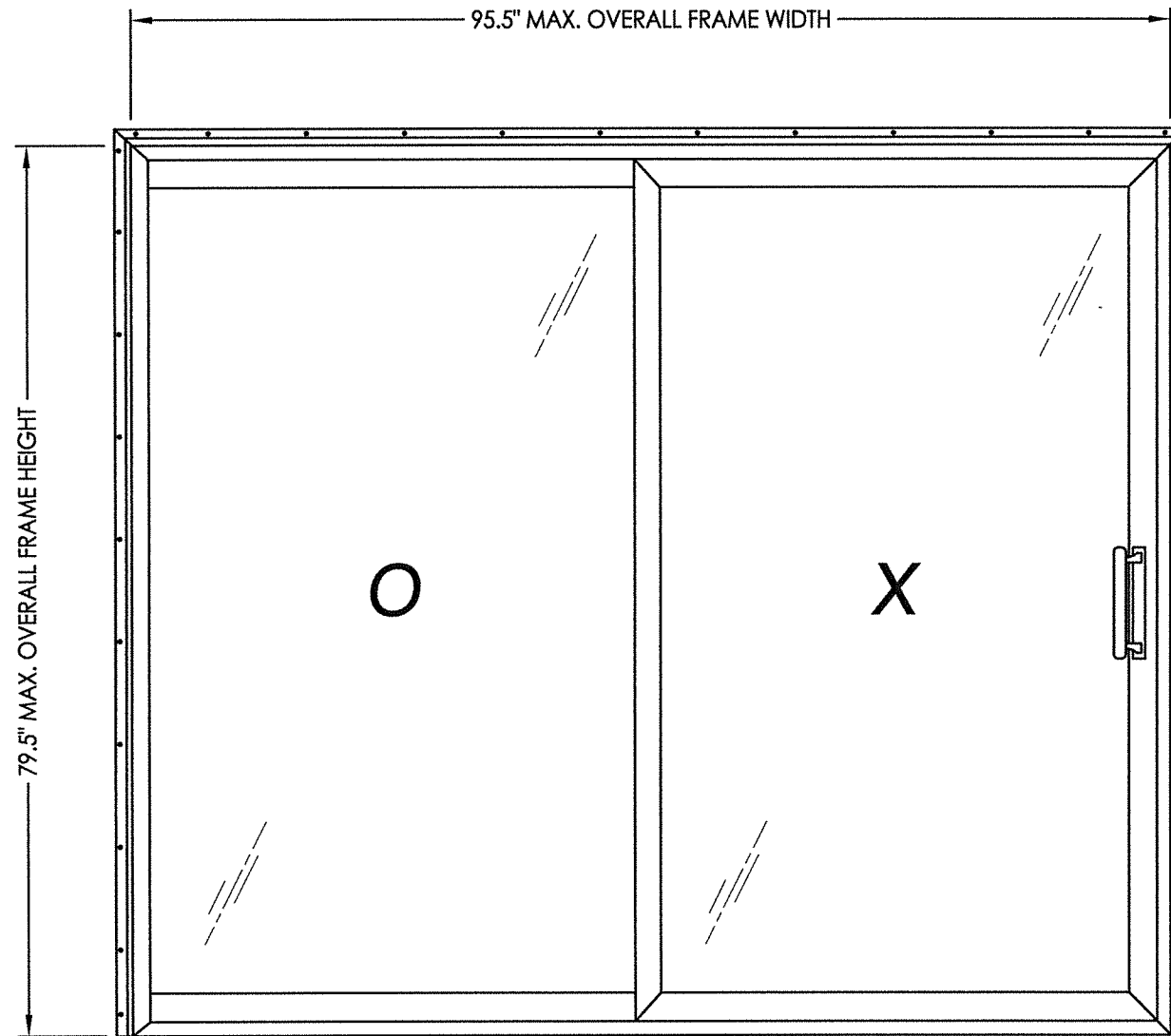


Documents Prepared By: Lyndon F. Schmidt, P.E.
TEXAS P.E. #104123
RW BUILDING CONSULTANTS, INC.
P.O. Box 230 Valrico FL 33595
Phone No.: 813.659.9197
TEXAS BOARD OF PROFESSIONAL ENGINEERS
CERTIFICATE OF REGISTRATION # F-11852

MODEL 11"i"5 / 11"i"6 / 11"i"8
EXTRUDED VINYL
SLIDING PATIO DOORS
w/ NAILING FIN
"IMPACT"



EVALUATED FOR USE IN THE STATE OF TEXAS

TDI DR-584

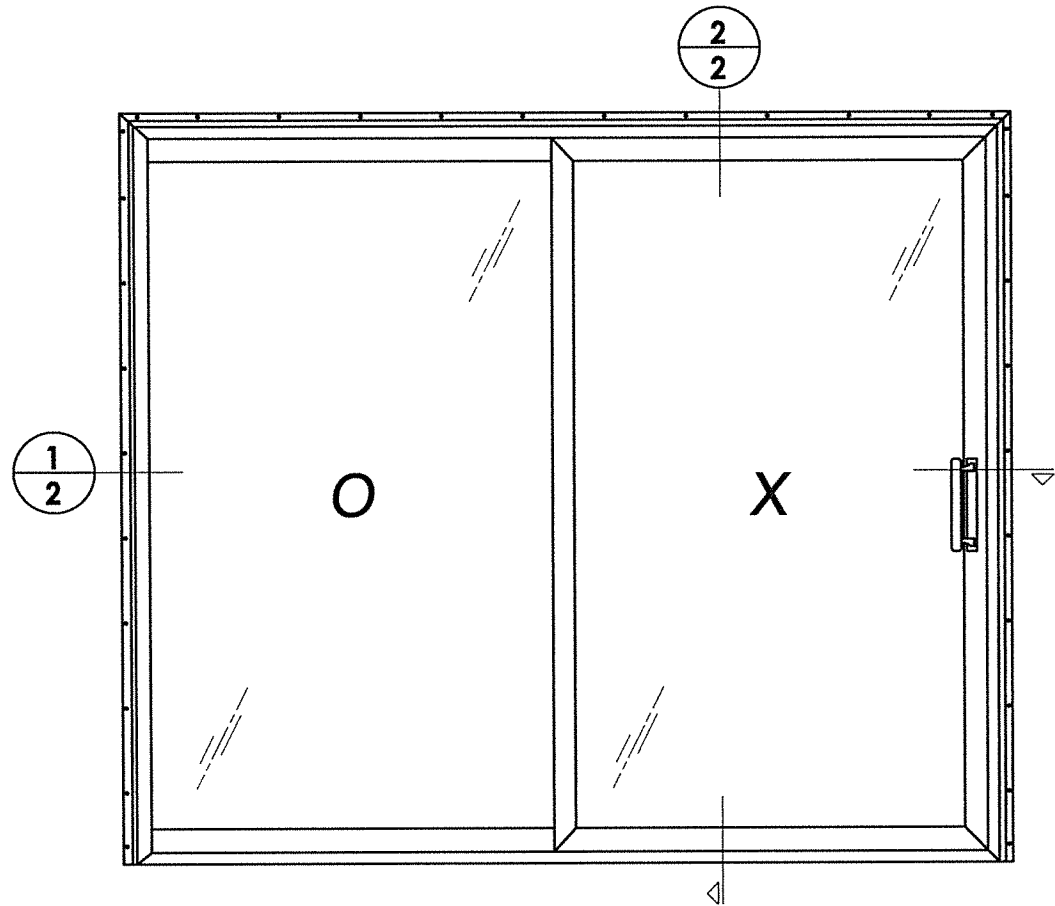
The Sliding Patio Door described herein complies with the 2018 International Residential Code (IRC), Sections R301 & R609 and the 2018 International Building Code (IBC), Sections 1404.13, 1609, 1709.5, 2403 and 2404 subject to the following conditions:

1. Anchors shall be as listed and spaced as shown in the details. Anchor embedment to base material shall be beyond roof covering.
2. When used in areas requiring wind-borne debris protection, this product complies with Section R301.2.1.2 of the IRC and Section 1609.2 of the IBC and does not require impact protection. This product meets missile level "D" and includes Wind Zone 3 as defined in ASTM E 1996.
3. Allowable design pressure requirements must be equal to or less than the design pressure rating shown in the design pressure chart, sheet 1 of this drawing.
4. Conditions not covered by this drawing are subject to further engineering analysis.

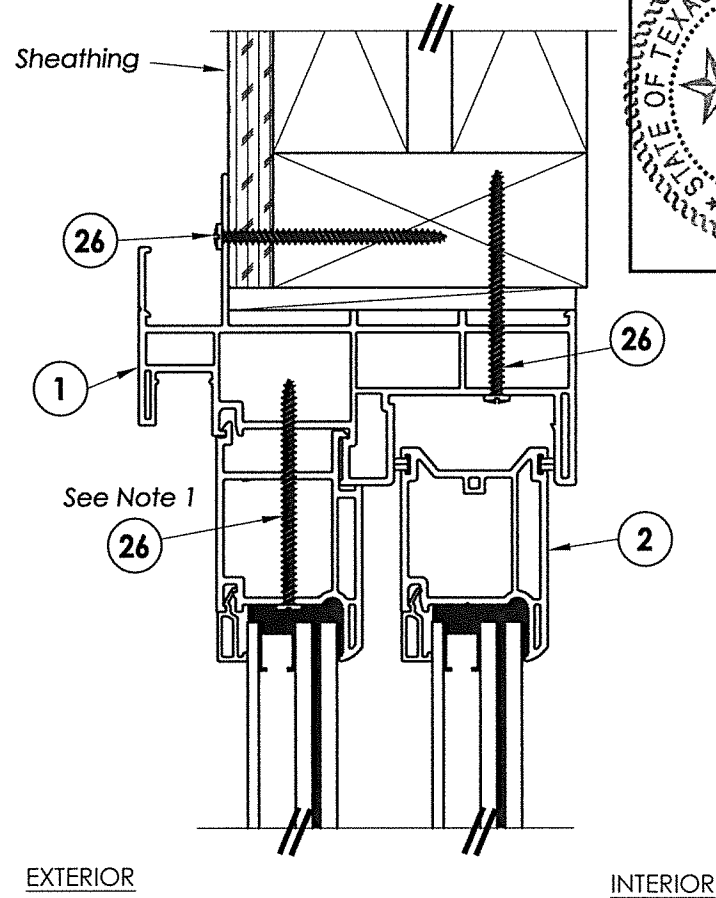
TABLE OF CONTENTS	
SHEET #	DESCRIPTION
1	Typical elevation, design pressures & general notes
2	Horizontal & vertical cross sections
3	Frame anchoring
4	Bill of materials, glazing detail & components

OVERALL FRAME DIMENSION	MAX. PANEL DIMENSION	MAX. D.L.O. DIMENSION	GLASS TYPE	DESIGN PRESSURE (PSF)	
				POSITIVE	NEGATIVE
95.5" x 79.5"	48.5" x 76.38"	43.75" x 71.63"	G1	+50.0	-50.0

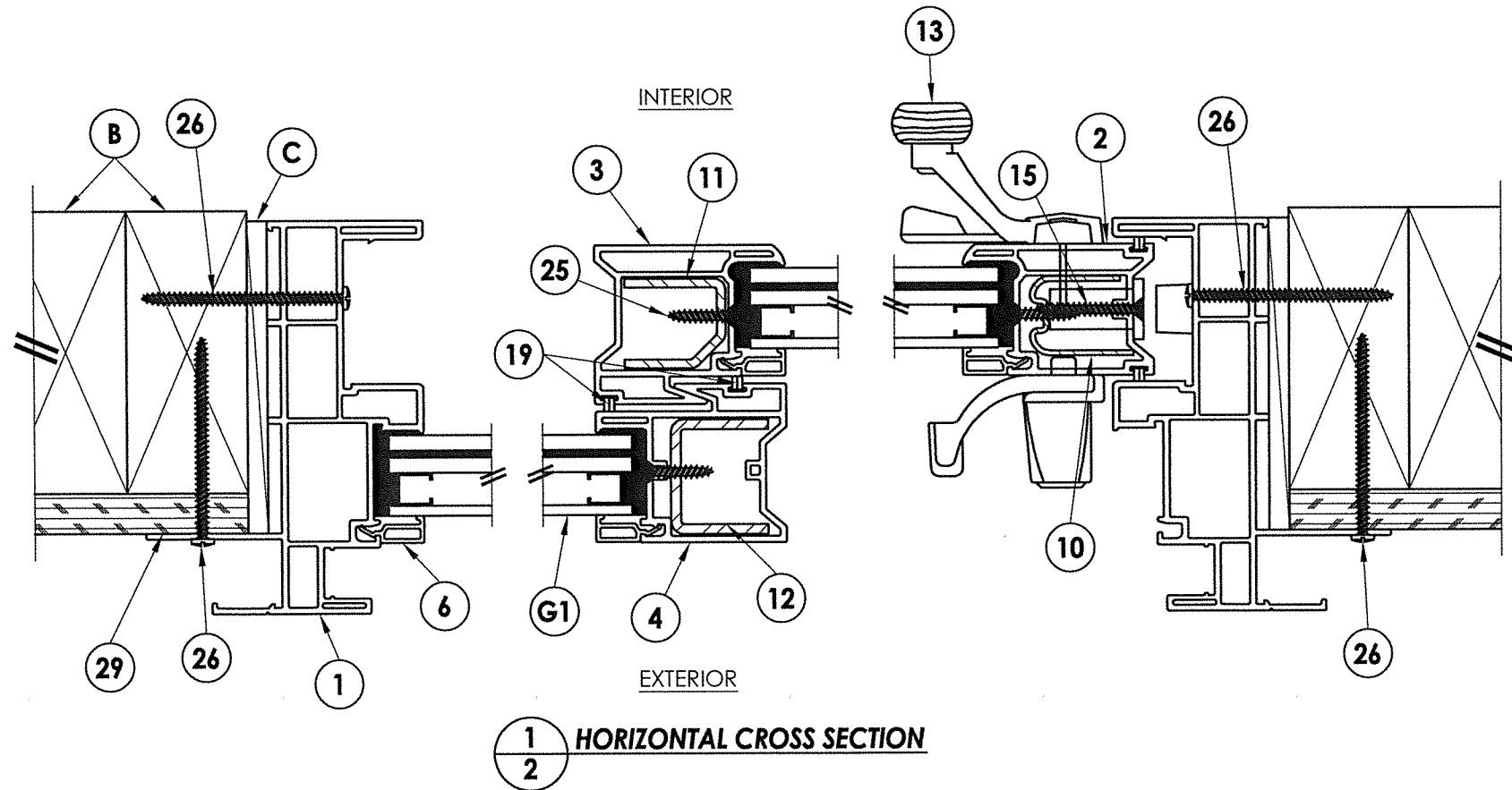
PRODUCT:	EXTRUDED VINYL SLIDING PATIO DOORS	
PART OR ASSEMBLY:	TYPICAL ELEVATION, DESIGN PRESSURES & GENERAL NOTES	
NO.	DATE	BY
1	9/13/21	LFS
UPDATE TO 2018 IBC/IRC REVISIONS		
DATE:	7/25/12	
SCALE:	N.T.S.	
DWG. BY:	JK	
CHK. BY:	LFS	
DRAWING NO.:	TX-4202	
SHEET	1 OF 4	



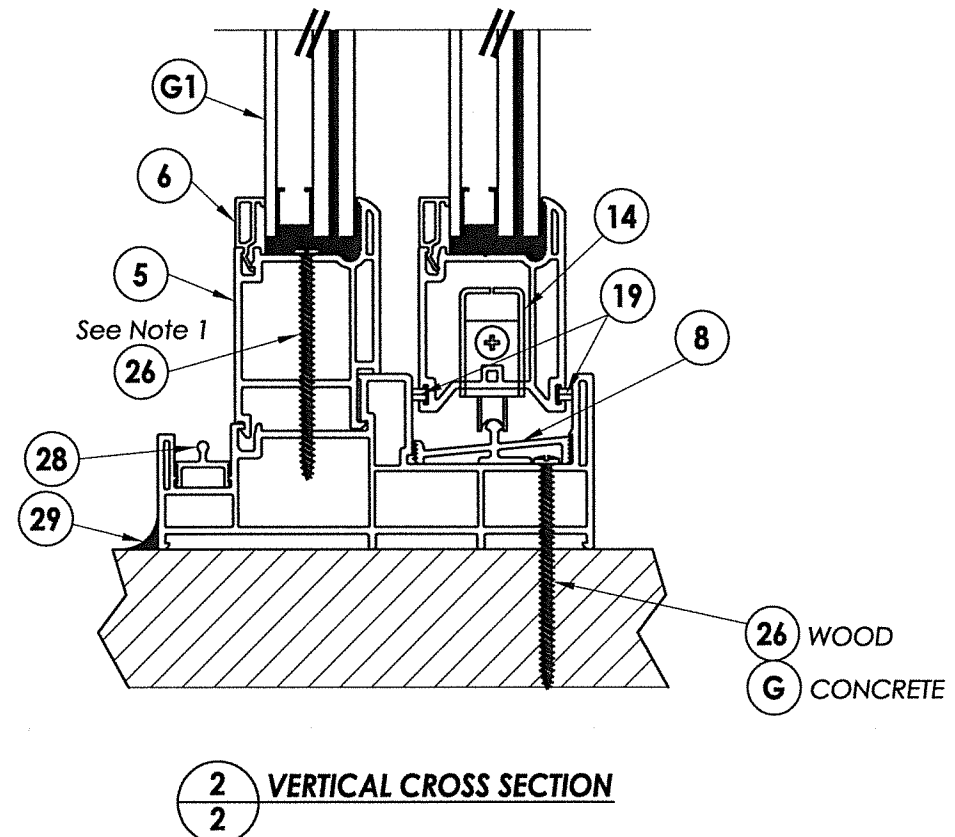
NOTE:
1. Fixed stile secured to frame with 2 screws at each end.



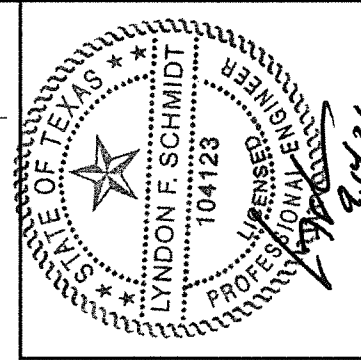
EXTERIOR INTERIOR



1
2 HORIZONTAL CROSS SECTION



2
2 VERTICAL CROSS SECTION

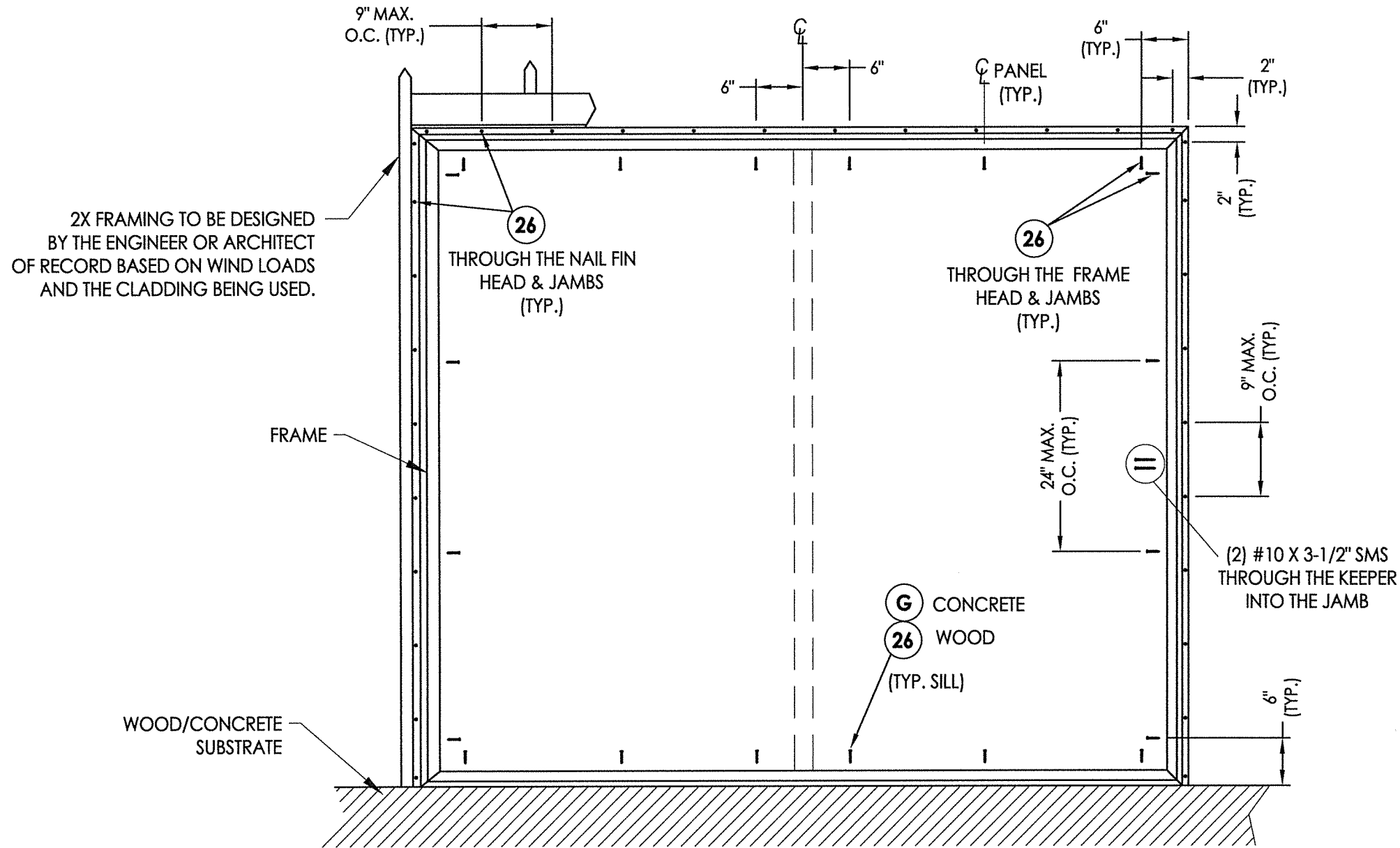


Documents Prepared By: Lyndon F. Schmidt, P.E.
TEXAS P.E. #104123

RW BUILDING CONSULTANTS, INC.
P.O. Box 230 Valrico FL 33595
Phone No.: 813.659.9197

TEXAS BOARD OF PROFESSIONAL ENGINEERS
CERTIFICATE OF REGISTRATION # F-11852

PRODUCT:	EXTRUDED VINYL SLIDING PATIO DOORS	
PART OR ASSEMBLY:	HORIZONTAL & VERTICAL CROSS SECTIONS	
NO.	DATE	REVISIONS
1	9/13/21	UPDATE TO 2018 IBC/IRC
LFS		BY
DATE:	7/25/12	
SCALE:	N.T.S.	
DWG. BY:	JK	
CHK. BY:	LFS	
DRAWING NO.:	TX-4202	
SHEET	2	OF 4



2X FRAMING TO BE DESIGNED BY THE ENGINEER OR ARCHITECT OF RECORD BASED ON WIND LOADS AND THE CLADDING BEING USED.

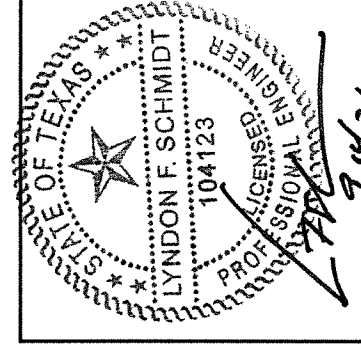
WOOD/CONCRETE SUBSTRATE

FRAME ANCHORING

CONCRETE ANCHOR NOTES:

1. Concrete anchor locations at the corners may be adjusted to maintain the min. edge distance to mortar joints.
2. Concrete anchor locations noted as "MAX. ON CENTER" must be adjusted to maintain the min. edge distance to mortar joints, additional concrete anchors may be required to ensure the "MAX. ON CENTER" dimension are not exceeded.
3. Concrete anchor table:

ANCHOR TYPE	ANCHOR SIZE	MIN. EMBEDMENT	MIN. CLEARANCE TO MASONRY EDGE	MIN. CLEARANCE TO ADJACENT ANCHOR
ITW TAPCON®	1/4"	1-3/4"	2-1/2"	3"
DeWALT ULTRACON®	1/4"	1-3/4"	2-1/2"	3"



Documents Prepared By: Lyndon F. Schmidt, P.E.
TEXAS P.E. #104123

RW BUILDING CONSULTANTS, INC.
P.O. Box 230 Valrico FL 33595
Phone No.: 813.659.9197

TEXAS BOARD OF PROFESSIONAL ENGINEERS
CERTIFICATE OF REGISTRATION # F-11852

PRODUCT: EXTRUDED VINYL SLIDING PATIO DOORS

PART OR ASSEMBLY: FRAME ANCHORING

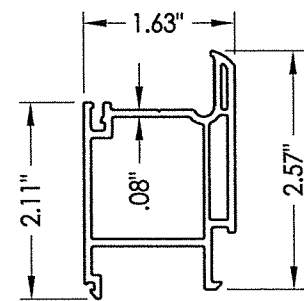
NO.	DATE	DESCRIPTION	BY
1	9/13/21	UPDATE TO 2018 IBC/IRC	LFS

DATE: 7/25/12
SCALE: N.T.S.
DWG. BY: JK
CHK. BY: LFS
DRAWING NO.: TX-4202
SHEET 3 OF 4

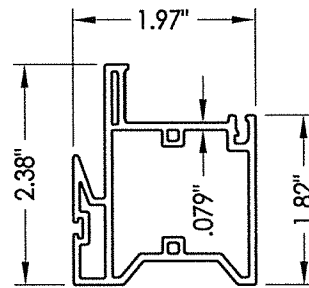
BILL OF MATERIALS

ITEM #	DESCRIPTION	MATERIAL
B	2X FRAMING (G >= 0.42)	WOOD
C	1/4" MAX. SHIM SPACE	-
G	1/4" PFH DeWALT OR ITW CONCRETE SCREW (1-3/4" MIN. EMBEDMENT)	STEEL
1	EXTRUDED VINYL HEAD / SILL & JAMB / FRAME (#PD1201)	* RIGID PVC
2	EXTRUDED VINYL STILE / RAIL SASH (#PD25)	* RIGID PVC
3	EXTRUDED VINYL SASH INTERLOCK (#PD24)	* RIGID PVC
4	EXTRUDED VINYL FIXED INTERLOCK (#PD34)	* RIGID PVC
5	EXTRUDED VINYL EQUAL GLASS ADAPTOR (#PD39)	* RIGID PVC
6	EXTRUDED VINYL 1" GLAZING BEAD (#BV22)	* RIGID PVC
7	GLAZING SPACER	STEEL
8	ALUMINUM SILL TRACK (#PD22)	ALUMINUM
10	JAMB STILE (PD25) REINFORCEMENT ROLL FORMED STEEL (#RFPD03SOM)	STEEL
11	SASH INTERLOCK (PD24) REINFORCEMENT ROLL FORMED STEEL (#RFPD24SOM)	STEEL
12	FIXED INTERLOCK (PD34) REINFORCEMENT ROLL FORMED STEEL (#RFPD34SOM)	STEEL
13	SLIDING PATIO DOOR HANDLE SET #684 BY SASH CONTROLS	-
14	TANDEM ROLLER ASSEMBLY BY ULTRA #64266	STEEL
15	#10 X 1-1/4" PFH (MORTISE LOCK) SCREWS BY SASH CONTROLS	STEEL
18	TRUSEAL PERFECT GLAZE OR NOVAFLEX M400 SEALANT	SEALANT
19	WEATHERPILE .187" x .270" BY AMESBURY	-
25	#8 X 3/4" PFH SELF SELF-DRILLING SCREWS	STEEL
26	#8 X 2-1/2" PPH SMS	STEEL
28	EXTRUDED VINYL SCREEN TRACK (#PDT58)	* RIGID PVC
29	SILICONE SEALANT	SILICONE

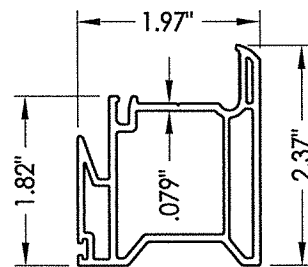
* THE APPROVED WHITE RIGID PVC EXTERIOR EXTRUSIONS FOR WINDOWS ARE TO BE PRODUCED BY EXTRUDERS LICENSEES IN "AAMA CERTIFICATION PROGRAMS FOR RIGID PVC EXTRUSIONS".



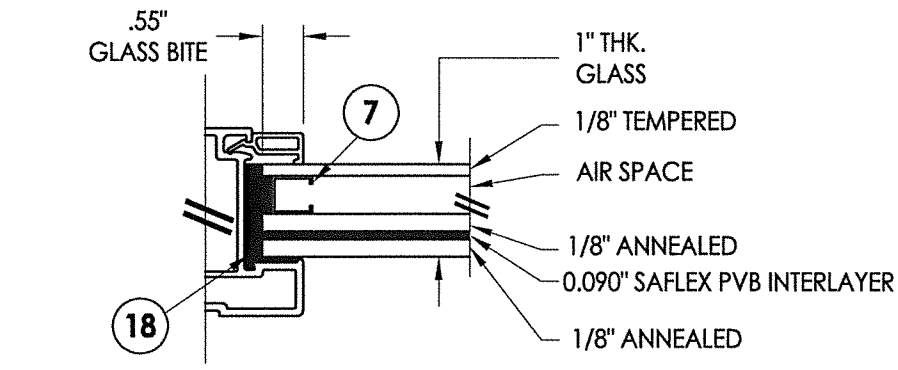
5 EQUAL GLASS ADAPTOR
Extruded vinyl



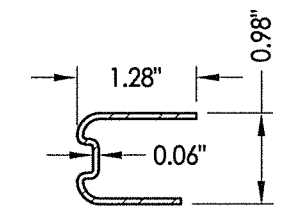
4 FIXED INTERLOCK
Extruded vinyl



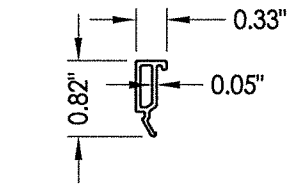
3 SASH INTERLOCK
Extruded vinyl



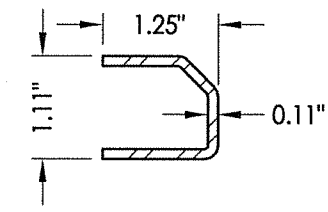
G1 GLAZING DETAIL



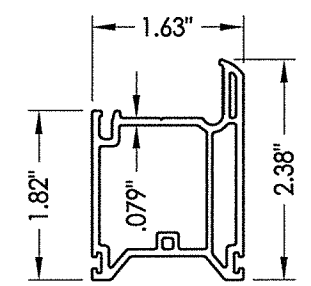
10 M JAMB STILE (PD25)
Reinforcement
Roll formed steel



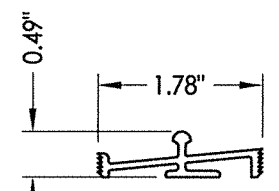
6 GLAZING BEAD
Extruded vinyl



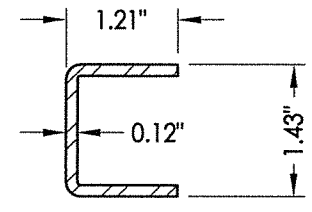
11 SASH INTERLOCK (PD24)
Roll formed steel



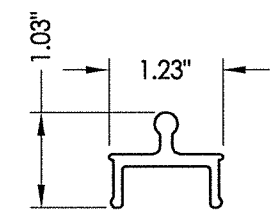
2 STILE / RAIL
Extruded vinyl



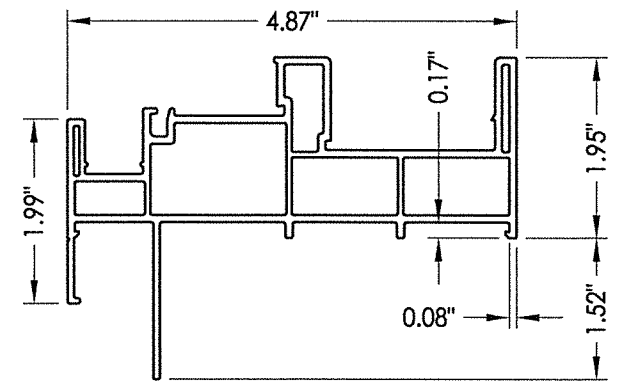
8 SILL TRACK
Extruded aluminum



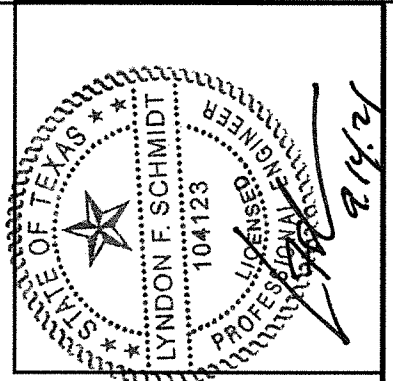
12 FIXED INTERLOCK (PD34)
Roll formed steel



28 SCREEN TRACK
Extruded vinyl



1 HEAD / SILL / JAMB
Extruded vinyl



Documents Prepared By: Lyndon F. Schmidt, P.E.
TEXAS P.E. #104123

RW BUILDING CONSULTANTS, INC.
P.O. Box 230 Valrico FL 33595
Phone No.: 813.659.9197
TEXAS BOARD OF PROFESSIONAL ENGINEERS
CERTIFICATE OF REGISTRATION # F-11852

PRODUCT: EXTRUDED VINYL SLIDING PATIO DOORS
PART OR ASSEMBLY: BILL OF MATERIALS, GLAZING DETAIL & COMPONENTS

NO.	DATE	DESCRIPTION	BY
1	9/13/21	UPDATE TO 2018 IBC/IRC	LFS

DATE: 7/25/12
SCALE: N.T.S.
DWG. BY: JK
CHK. BY: LFS
DRAWING NO.: TX-4202
SHEET 4 OF 4