

**GENERAL NOTES:**

1. ALL FASTENERS SHALL BE IN ACCORDANCE WITH THESE DRAWINGS. SPECIFIED ANCHOR EMBED TO BASE MATERIAL SHALL BE BEYOND WALL FINISH OR STUCCO.
2. OPENINGS, BUCKING & BUCKING FASTENERS MUST BE PROPERLY DESIGNED & INSTALLED TO TRANSFER WIND LOADS TO THE STRUCTURE.
3. THESE NON-IMPACT RATED PRODUCT INSTALLATIONS ARE IN ACCORDANCE WITH AND MEET THE REQUIREMENTS OF THE 2018 INTERNATIONAL BUILDING CODE (IBC).
4. ALL ANCHORS SECURING PRODUCT FRAME TO PRESSURE TREATED BUCKS OR WOOD FRAMING SHALL BE CAPABLE OF RESISTING CORROSION CAUSED BY THE PRESSURE TREATING CHEMICALS IN THE WOOD.
5. TO THE BEST OF OUR KNOWLEDGE, THE PRODUCT SHOWN HEREIN IS CERTIFIED & QUALITY ASSURED BY A NATIONALLY ACCREDITED CERTIFICATION/QA ENTITY & SHALL BE LABELED IN ACCORDANCE WITH CERTIFICATION/QA ENTITIES SPECIFICATIONS. PRODUCT ASSEMBLY IS NOT PART OF THIS DRAWING AND SHALL BE IN ACCORDANCE WITH THE MANUFACTURER'S QUALITY ASSURANCE SPECIFICATIONS & TESTING REPORTS.
6. CERTIFICATION OF THESE PRODUCT INSTALLATIONS SHALL BE CONSIDERED VOID IF ANY OF THE FOLLOWING APPLY: 1) THEY ARE INSTALLED WITHOUT A BUILDING PERMIT FROM THE APPLICABLE LOCAL BUILDING DEPARTMENT. 2) IF THEY ARE INSTALLED BY ANYONE OTHER THAN A LICENSED CONTRACTOR EXPERIENCED WITH WINDOW/DOOR INSTALLATIONS. 3) IF CHANGES HAVE OCCURRED TO THE PRODUCT'S CERTIFICATION ENTITY'S CERTIFICATE THAT CAUSE THESE INSTALLATIONS TO BE INCORRECT OR INCONSISTENT WITH WHAT HAS BEEN TESTED.
7. THE LEAST DESIGN PRESSURE SPECIFIED EITHER IN THIS DRAWING OR IN THE PRODUCTS CERTIFICATION SHALL CONTROL FOR THE INSTALLED PRODUCT.
8. THESE DRAWINGS CERTIFY THE PRODUCT INSTALLATION ONLY. WATER PROOFING OF THE INSTALLED PRODUCT IS NOT PART OF THIS INSTALLATION CERTIFICATION. THAT RESPONSIBILITY SHALL BE THAT OF THE MANUFACTURER &/OR INSTALLER.

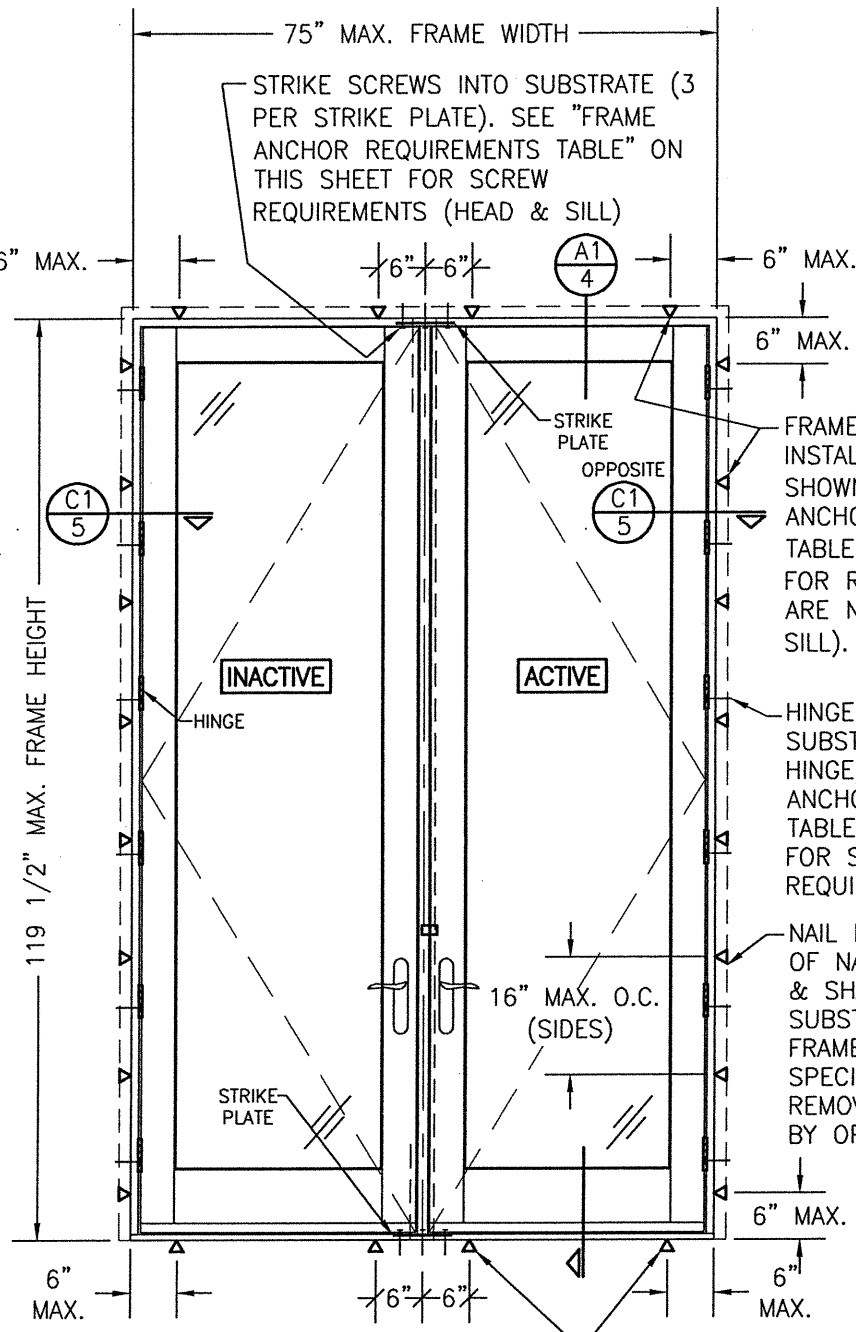
**FRAME ANCHOR REQUIREMENTS TABLE**

OPENING TYPE (SUBSTRATE)	FRAME/CLIP TO OPENING FASTENER TYPE	MINIMUM EMBED	MINIMUM EDGE DIST.
<b>FRAME/SILL SCREWS</b>			
(3) MIN. 2X6 WOOD FRAME OR BUCK (MIN. GR. 3 & G=0.55)	NO. 10 SMS OR WOOD SCREW	1 1/4"	3/4"
MIN. 18 GA. 33 KSI METAL STUD	NO. 10 GR. 5 SELF TAP/DRILL SCREW	FULL	1/2"
MIN. 1/8" THK A36 STEEL	NO. 10 GR. 5 SELF TAP/DRILL SCREW	FULL	1/2"
MIN. 1/8" THK 6063-T5 ALUM.	NO. 10 GR. 5 SELF TAP/DRILL SCREW	FULL	1/2"
(2) MIN. C-90 CMU	(1) 1/4" CONCRETE SCREW	1 1/4"	2"
MIN. 2500 PSI CONCRETE	(1) 1/4" CONCRETE SCREW	1 1/2"	2"
<b>HINGE SCREWS</b>			
(3) MIN. 2X6 WOOD FRAME OR BUCK (MIN. GR. 3 & G=0.55)	NO. 12 SMS OR WOOD SCREW	1 1/4"	3/4"
MIN. 18 GA. 33 KSI METAL STUD	NO. 12 GR. 5 SELF TAP/DRILL SCREW	FULL	1/2"
MIN. 1/8" THK A36 STEEL	NO. 12 GR. 5 SELF TAP/DRILL SCREW	FULL	1/2"
MIN. 1/8" THK 6063-T5 ALUM.	NO. 12 GR. 5 SELF TAP/DRILL SCREW	FULL	1/2"
MIN. C-90 CMU OR 2500 PSI CONCRETE	(1) 1/4" CONCRETE SCREW	1 1/4"	2"
<b>STRIKE SCREWS</b>			
(3) MIN. 2X6 WOOD FRAME OR BUCK (MIN. GR. 3 & G=0.55)	NO. 8 SMS OR WOOD SCREW	1 1/4"	3/4"
MIN. 18 GA. 33 KSI METAL STUD	NO. 8 GR. 5 SELF TAP/DRILL SCREW	FULL	1/2"
MIN. 1/8" THK A36 STEEL	NO. 8 GR. 5 SELF TAP/DRILL SCREW	FULL	1/2"
MIN. 1/8" THK 6063-T5 ALUM.	NO. 8 GR. 5 SELF TAP/DRILL SCREW	FULL	1/2"
(2) MIN. C-90 CMU	(1) 3/16" CONCRETE SCREW	1 1/4"	2"
MIN. 2500 PSI CONCRETE	(1) 3/16" CONCRETE SCREW	1 1/2"	2"

<b>INSTALLATION CLIP SCREWS</b>			
MIN. 2X6 WOOD FRAME OR BUCK (MIN. GR. 3 & G=0.55)	NO. 8 SMS SCREW	1 3/8"	3/4"
MIN. 18 GA. 33 KSI METAL STUD	NO. 8 GR. 5 SELF TAP/DRILL SCREW	FULL	1/2"
MIN. 1/8" THK A36 STEEL	NO. 8 GR. 5 SELF TAP/DRILL SCREW	FULL	1/2"
MIN. 1/8" THK 6063-T5 ALUM.	NO. 8 GR. 5 SELF TAP/DRILL SCREW	FULL	1/2"

<b>(4) NAILING FIN FASTENERS</b>			
(3) MIN. 2X6 WOOD FRAME OR BUCK (MIN. GR. 3 & G=0.55)	NO. 8 x 1 1/2" SMS	1 3/8"	1/2"
(3) MIN. 2X6 WOOD FRAME OR BUCK (MIN. GR. 3 & G=0.55)	11 GA. ROOFING NAIL	1 3/8"	1/2"
MIN. 1/8" THK A36 STEEL	NO. 8 GR. 5 SELF TAP/DRILL SCREW	FULL	1/2"
MIN. 1/8" THK 6063-T5 ALUM.	NO. 8 GR. 5 SELF TAP/DRILL SCREW	FULL	1/2"

- (1) CONCRETE SCREWS SHALL BE ELCO ULTRACONS, ELCO CRETE-FLEX, ITW RAMSET/RED HEAD TAPCONS OR HILTI KWIK-CON II (HARDENED STEEL OR S.S.).
- (2) CMU IS APPLICABLE AT SIDES ONLY.
- (3) 2X6 BUCKS MAY BE RIPPED DOWN TO MIN. 4 1/4" DEPTH EXCEPT WHEN THE INSTALLATION CLIP CONDITION APPLIES.
- (4) WHEN SCREWS ARE USED WITH THE NAIL FIN, THEY MUST BE A WAFFLE HEAD SCREW OR HAVE A FLAT WASHER AT THE SCREW HEAD.



**EXTERIOR ELEVATION: DOUBLE RECTANGULAR DOOR**  
SCALE: 1/2" = 1'-0"  
(SCREW OR CLIP MOUNT CONDITION)

EDGE DISTANCE MAY BE DECREASED TO 1/2" IF SCREWS ARE ANGLED 15 TO 20 DEGREES AWAY FROM THE EDGE.

<b>HINGE REQUIREMENTS</b>	
MAX. FRAME HEIGHT	QUANTITY PER PANEL
119.5"	6
107.875"	5
99.375"	4
83.875"	3

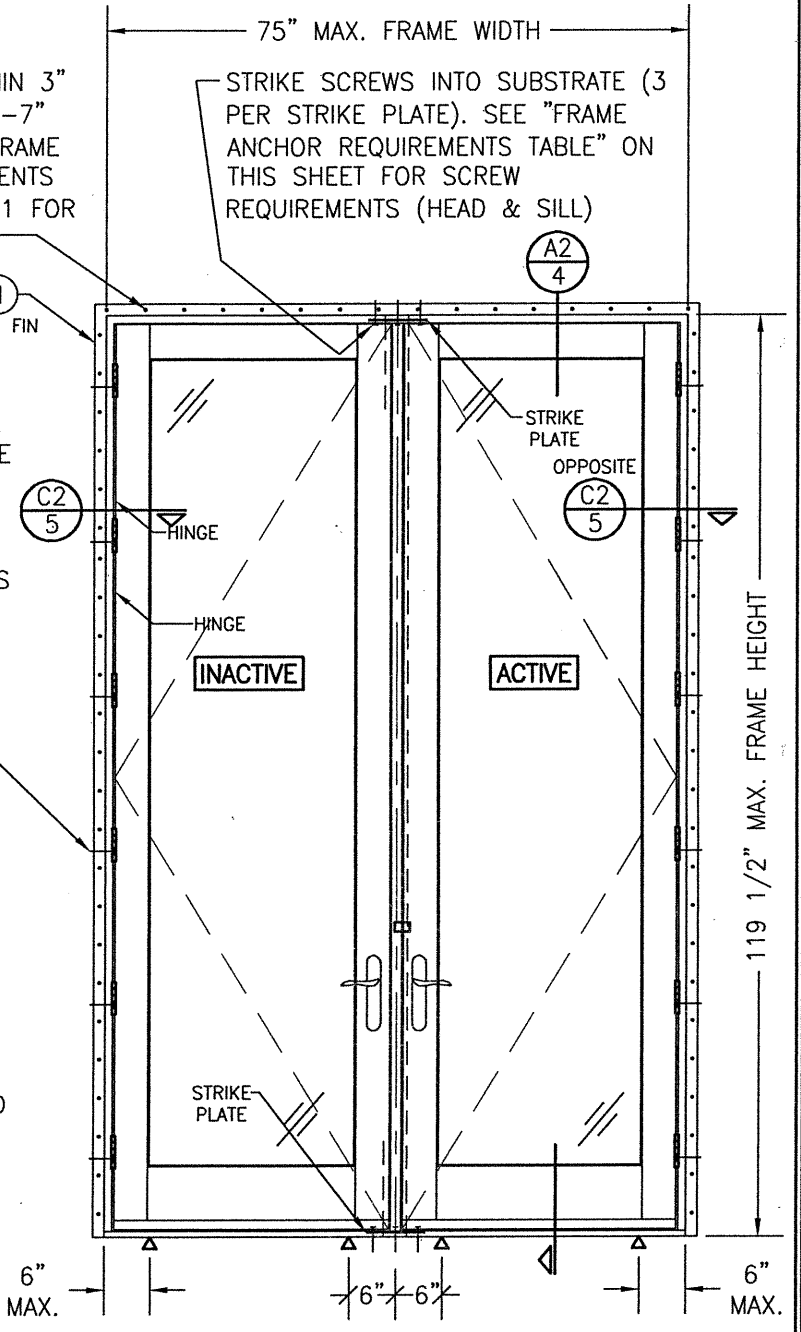
**ANCHOR/SUBSTRATE EVALUATION NOTE:**  
ALL ANCHORS IN THEIR SPECIFIED SUBSTRATES HAVE BEEN ANALYZED IN ACCORDANCE WITH THEIR APPLICABLE STANDARD(S) AND ARE FOUND TO BE CAPABLE OF SUPPORTING ALL LOADS IMPOSED ON THEM UNDER THE GUIDELINES OF THIS DOCUMENT. ANY SUBSTRATES OR CONDITIONS OUTSIDE OF WHAT IS SHOWN HERE-IN SHALL BE SUBJECT TO JOB SPECIFIC ENGINEER'S REVIEW & CERTIFICATION.

FIN FASTENER WITHIN 3" OF CORNERS & 5"-7" MAX. O.C. SEE "FRAME ANCHOR REQUIREMENTS TABLE" ON SHEET 1 FOR REQUIREMENTS.

HINGE SCREW INTO SUBSTRATE (1 PER HINGE). SEE "FRAME ANCHOR REQUIREMENTS TABLE" ON THIS SHEET FOR SCREW REQUIREMENTS.

NAIL FIN AND ANCHORING OF NAIL FIN IS OPTIONAL & SHALL NOT ACT AS A SUBSTITUTE FOR THE FRAME ANCHORS SPECIFIED. FIN MAY BE REMOVED WHEN REQUIRED BY OPENING CONDITIONS

SILL SCREWS WHERE SHOWN. SEE "FRAME ANCHOR REQUIREMENTS TABLE" ON THIS SHEET FOR REQUIREMENTS.



**EXTERIOR ELEVATION: DOUBLE RECTANGULAR DOOR**  
SCALE: 1/2" = 1'-0"  
(FIN MOUNT CONDITION)

**ALLOWABLE DESIGN PRESSURE (DOUBLE SWING DOORS)**

MAX. FRAME HEIGHT (IN.)	ALLOWABLE PRESSURE	
	POSITIVE (PSF)	NEGATIVE (PSF)
119 1/2	50	50
95 1/2	70	70

THESE DRAWINGS ARE APPLICABLE ONLY TO THE PRODUCT SPECIFIED. THEY MAY NOT BE USED FOR THE ASSEMBLY AND/OR INSTALLATION OF ANY OTHER PRODUCT NOR MAY THEY BE USED FOR RATIONAL AND/OR LOCAL APPROVAL OF ANY PRODUCT NOT PRODUCED BY THE MANUFACTURER STATED ON THESE DRAWINGS.



DRAWN BY: W.W.S.	CHECKED BY: W.W.S.	PLOT: 1=24	DATE: 06/08/21
DATE	BY	REVISION DESCRIPTION	NO.
DRAWING TITLE: PELLA ARCHITECT OUT-SWING NON-IMPACT ALUMINUM CLAD WOOD DOOR INSTALLATION REQUIREMENTS JOB INFORMATION: PELLA CORPORATION 102 MAIN STREET PELLA, IA 50219 641-621-1000 CONSULTANTS: W. W. SCHAEFER ENGINEERING & CONSULTING, P.A. (REG. NO. F-14980) 7480 150TH COURT NORTH PALM BEACH GARDENS, FL 33418 PHONE: 561-744-3424			
DRAWING NO. 1731T SHEET NO. 1 OF 6		REV.	

DRAWN BY: W.W.S.	CHECKED BY: W.W.S.
PLOT: 1-24	DATE: 06/08/21
DATE	
BY	
REVISION DESCRIPTION	
NO.	

**PELLA ARCHITECT OUT-SWING NON-IMPACT ALUMINUM CLAD WOOD DOOR INSTALLATION REQUIREMENTS**

**PELLA CORPORATION**  
102 MAIN STREET  
PELLA, IA 50219  
641-621-1000

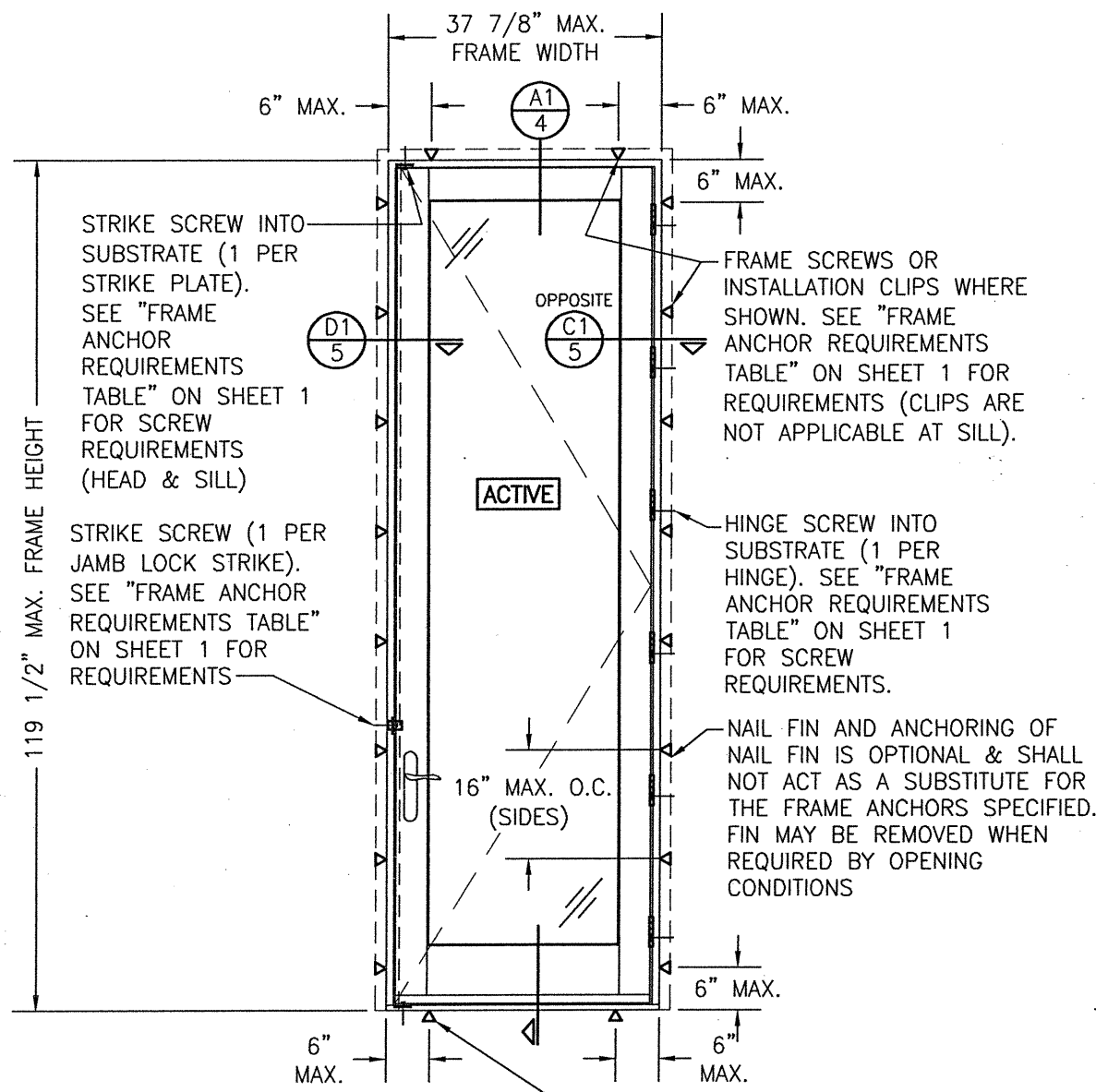
**PELLA**

**W. W. SCHAEFER ENGINEERING & CONSULTING, P.A. (REG. NO. F-14980)**  
7480 150TH COURT NORTH  
PALM BEACH GARDENS, FL 33418  
PHONE: 561-744-3424

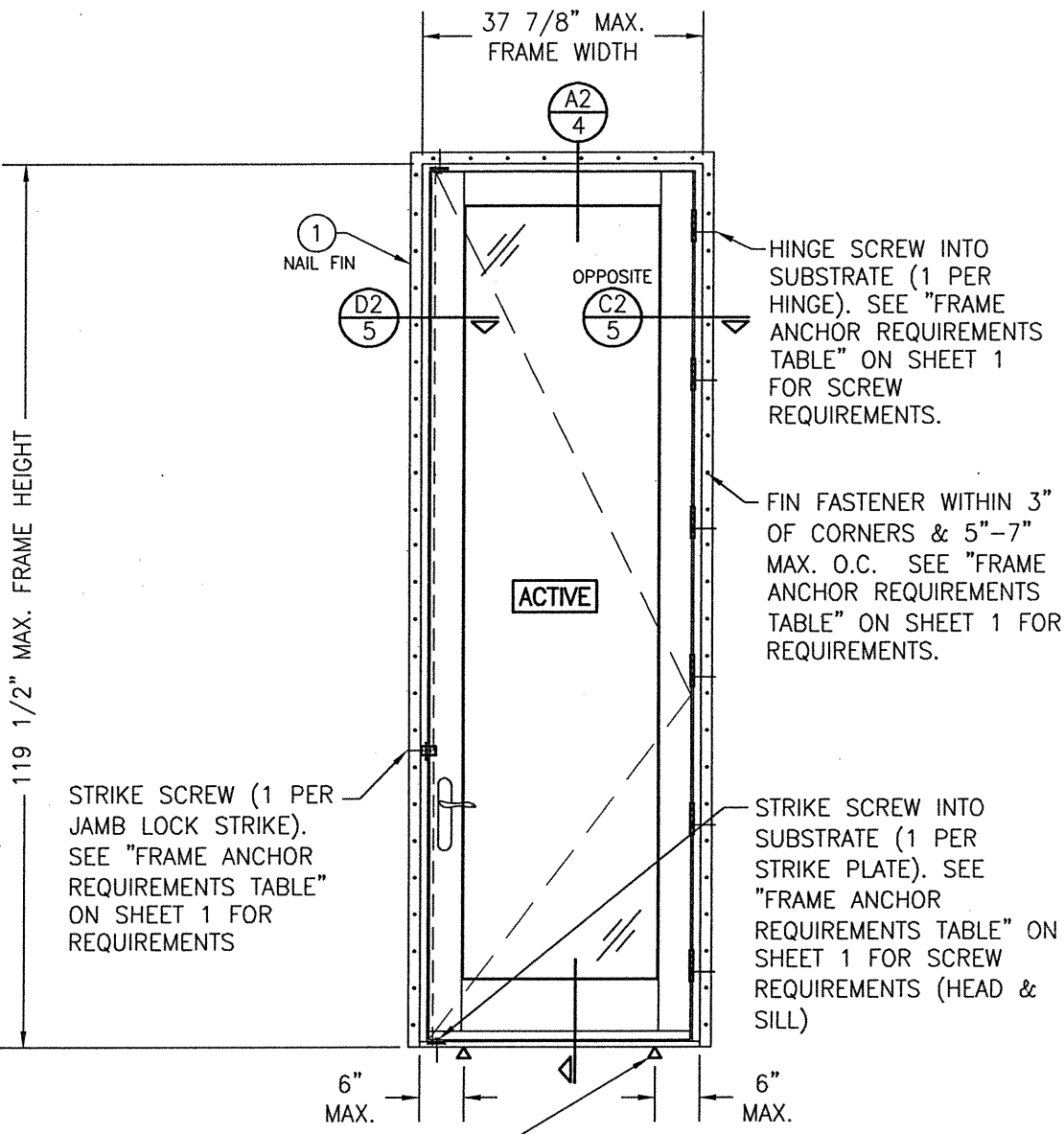
**WARREN W. SCHAEFER**  
P.E. NO. 113497

**WARREN W. SCHAEFER**  
P.E. NO. 113497

DRAWING NO. <b>1731T</b>	REV.
SHEET NO. <b>2</b>	OF <b>6</b>



**EXTERIOR ELEVATION:  
SINGLE RECTANGULAR DOOR**  
SCALE: 1/2" = 1'-0"  
(SCREW OR CLIP MOUNT CONDITION)

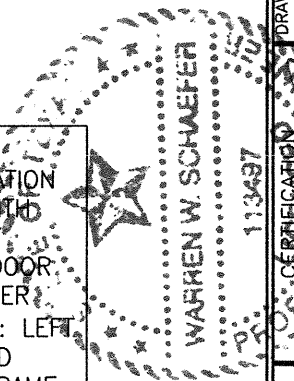


**EXTERIOR ELEVATION:  
SINGLE RECTANGULAR DOOR**  
SCALE: 1/2" = 1'-0"  
(FIN MOUNT CONDITION)

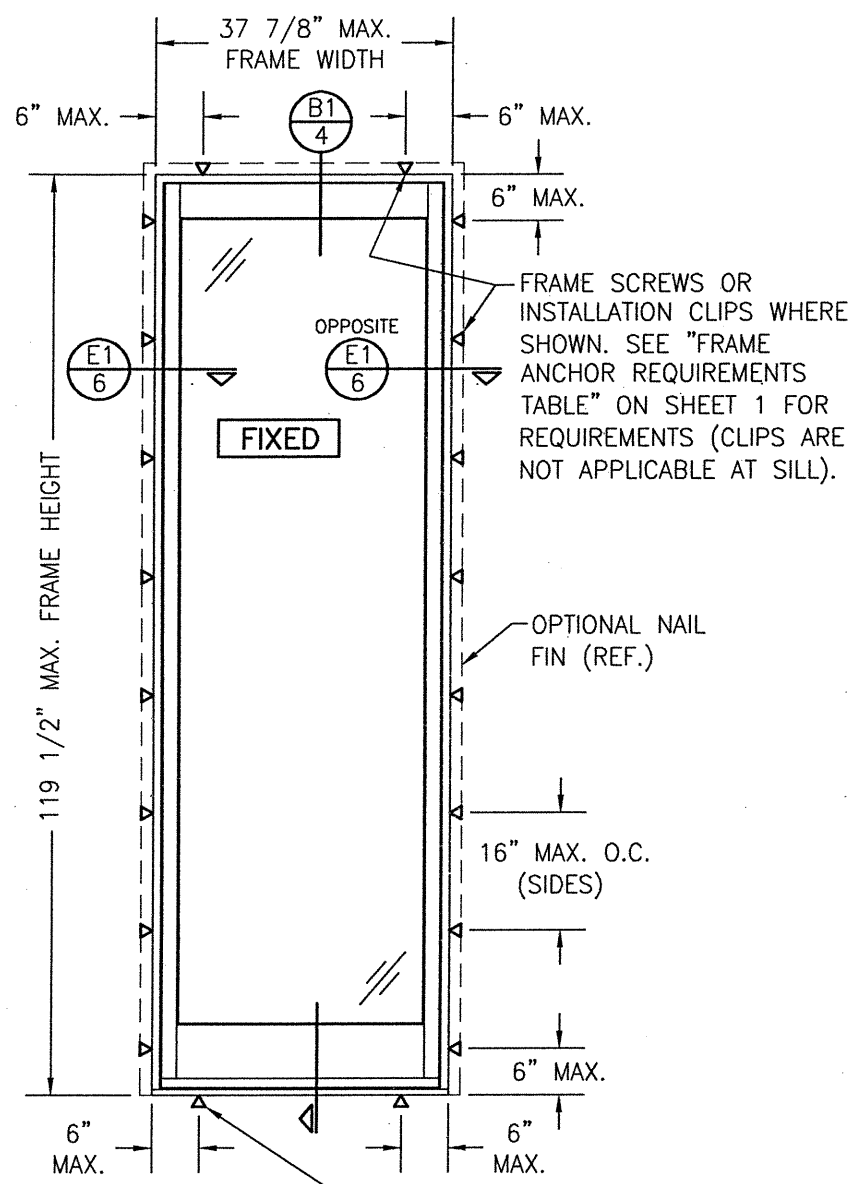
ALLOWABLE DESIGN PRESSURE (SINGLE SWING DOORS)		
MAX. FRAME HEIGHT (IN.)	ALLOWABLE PRESSURE	
	POSITIVE (PSF)	NEGATIVE (PSF)
119 1/2	50	50
95 1/2	70	70

INSTALLATION EVALUATION IS BASED ON APPLICABLE ANCHOR STANDARDS AND/OR INFORMATION & RESULTS FROM APPLICABLE TEST REPORTS. THE BUILDING CODE VERSION CONSIDERED WITH THE EVALUATION WAS THAT IN FORCE AT THE TIME OF THE EVALUATION. IN THE EVENT OF CODE VERSION CHANGES/UPDATES OR IN THE EVENT THAT NEW OR ADDITIONAL TESTING IS COMPLETED ON THE REFERENCED PRODUCT, PRIOR TO STATING CODE COMPLIANCE, THE MANUFACTURER SHALL CONFIRM WITH THE INSTALLATION EVALUATION ENGINEER OF RECORD THAT THE INSTALLATIONS SPECIFIED HERE-IN ARE CURRENT WITH THE THEN CURRENT TESTING, CODE AND APPLICABLE STANDARDS.

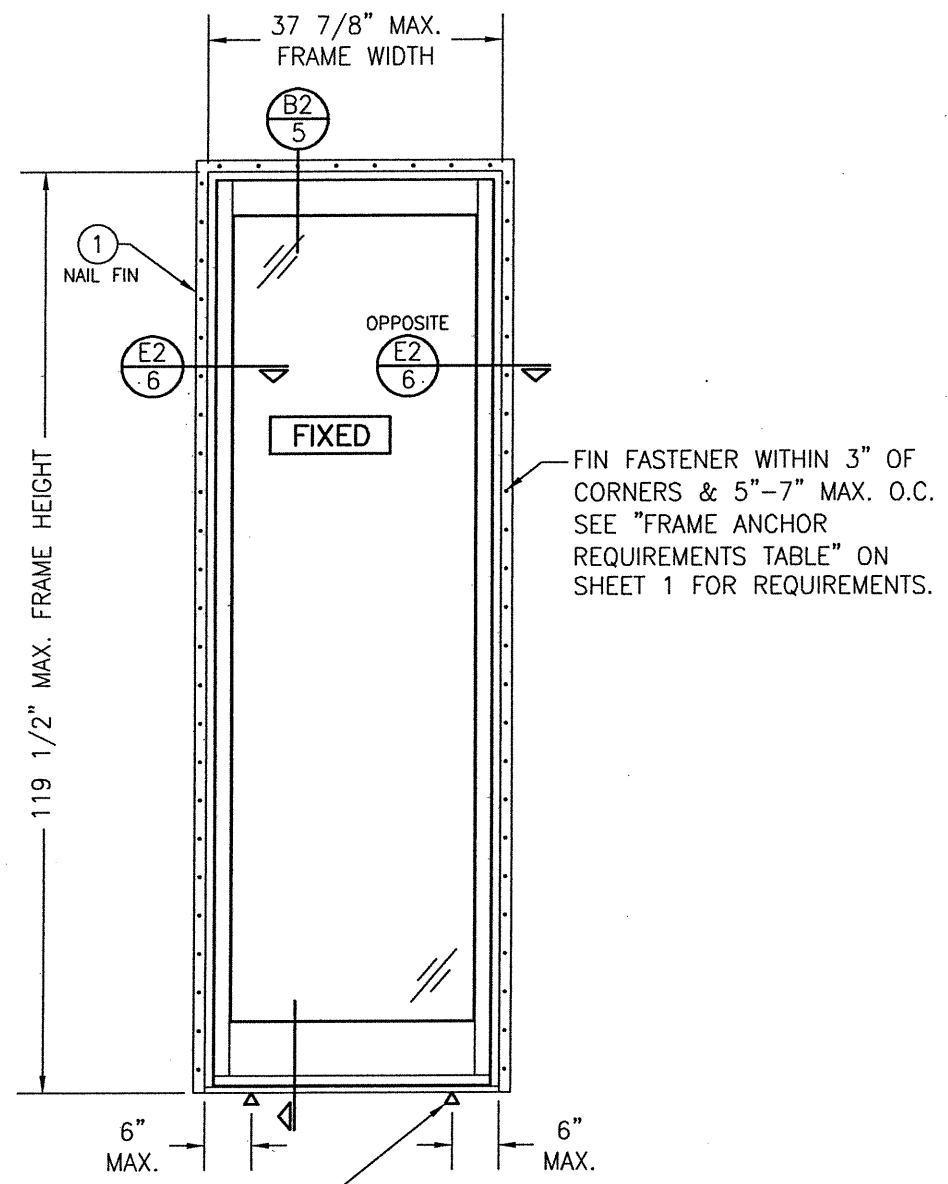
**INSTALLATION NOTE:**  
WHEN NECESSARY, INSTALLATION METHODS MAY BE MIXED WITH ANY ONE DOOR SUCH THAT INDIVIDUAL SIDES OF THE DOOR MAY USE ONE OR THE OTHER ANCHOR METHOD (EXAMPLE: LEFT SIDE MAY USE CLIP METHOD WHILE OTHER SIDES USE FRAME SCREWS)



DRAWN BY: W.W.S.	CHECKED BY: W.W.S.
PLOT: 1=24	DATE: 06/08/21
NO.	DATE
BY	
REVISION DESCRIPTION	
JOB INFORMATION:	
DRAWING TITLE: PELLA ARCHITECT OUT-SWING NON-IMPACT ALUMINUM CLAD WOOD DOOR INSTALLATION REQUIREMENTS	
CONSULTANTS	PELLA CORPORATION 102 MAIN STREET PELLA, IA 50219 641-621-1000
W. W. SCHAEFER ENGINEERING & CONSULTING, P.A. (REG. NO. F-14980)	7480 150TH COURT NORTH PALM BEACH GARDENS, FL 33418 PHONE: 561-744-3424

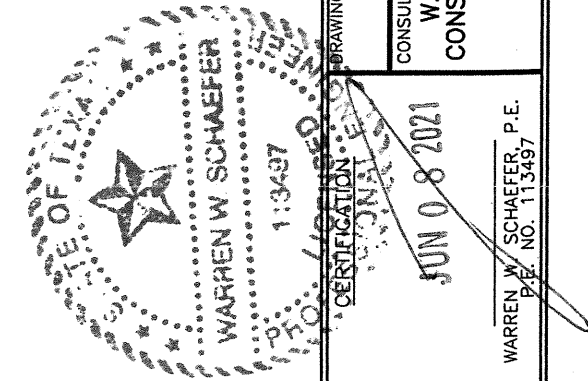


**EXTERIOR ELEVATION:  
SINGLE FIXED PANEL**  
SCALE: 1/2" = 1'-0"  
(SCREW OR CLIP MOUNT CONDITION)

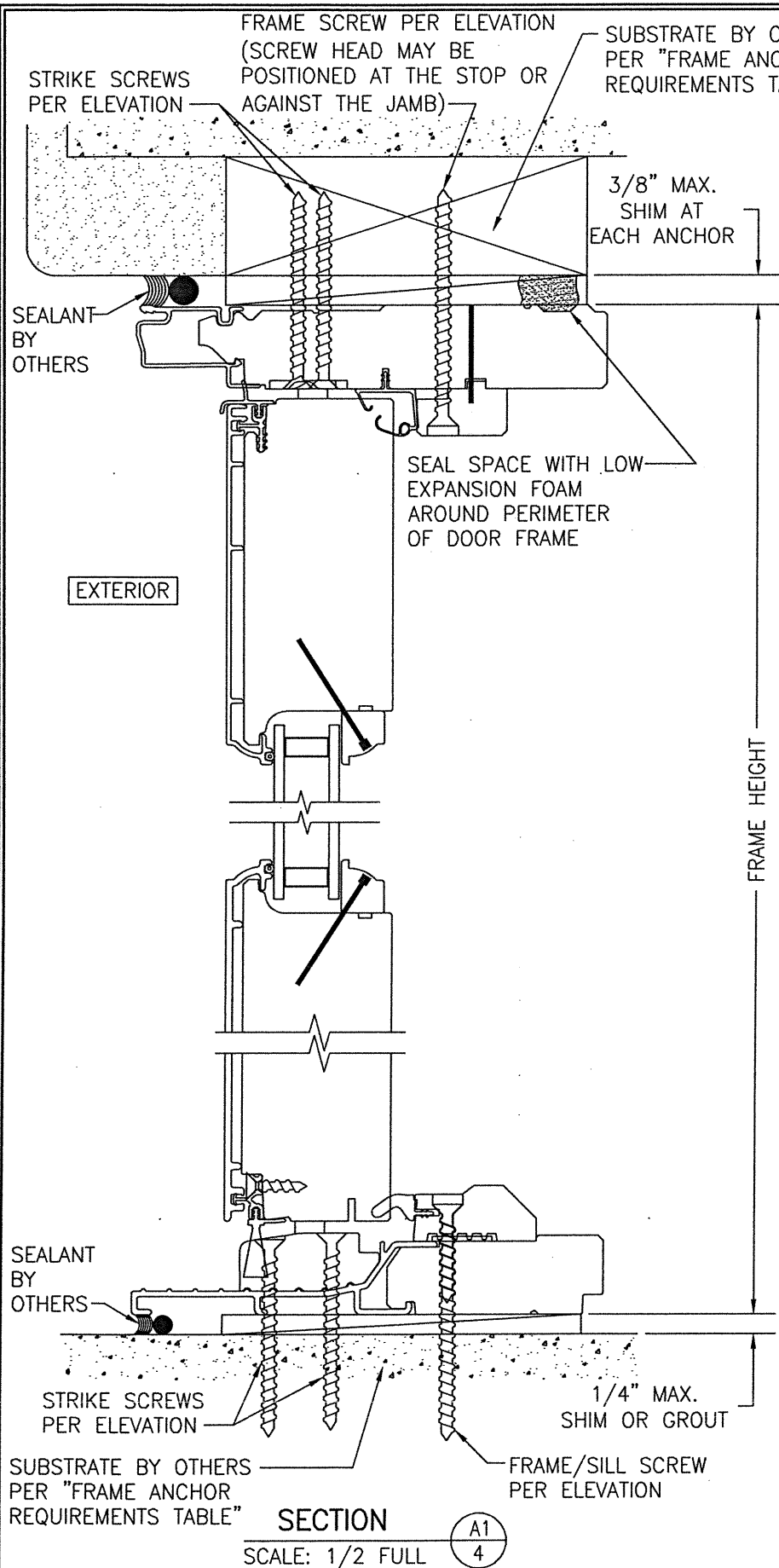


**EXTERIOR ELEVATION:  
SINGLE FIXED PANEL**  
SCALE: 1/2" = 1'-0"  
(FIN MOUNT CONDITION)

ALLOWABLE DESIGN PRESSURE (FIXED PANEL DOORS)		
MAX. FRAME HEIGHT (IN.)	ALLOWABLE PRESSURE	
	POSITIVE (PSF)	NEGATIVE (PSF)
119 1/2	50	50
95 1/2	70	70

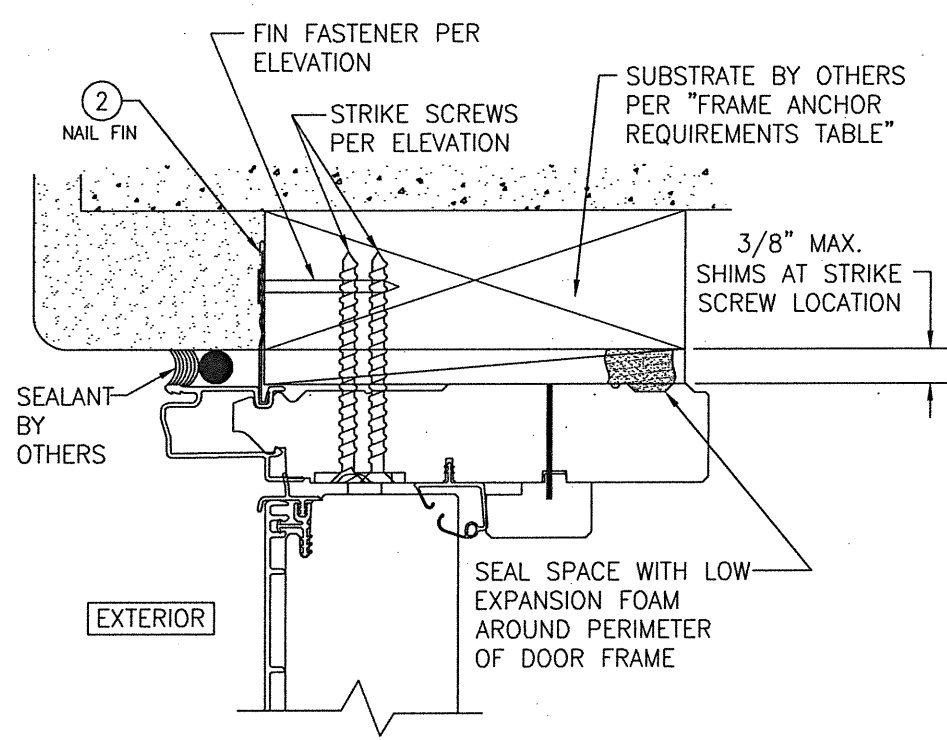


DRAWING NO. 1731T	REV.
SHEET NO. 3	OF 6



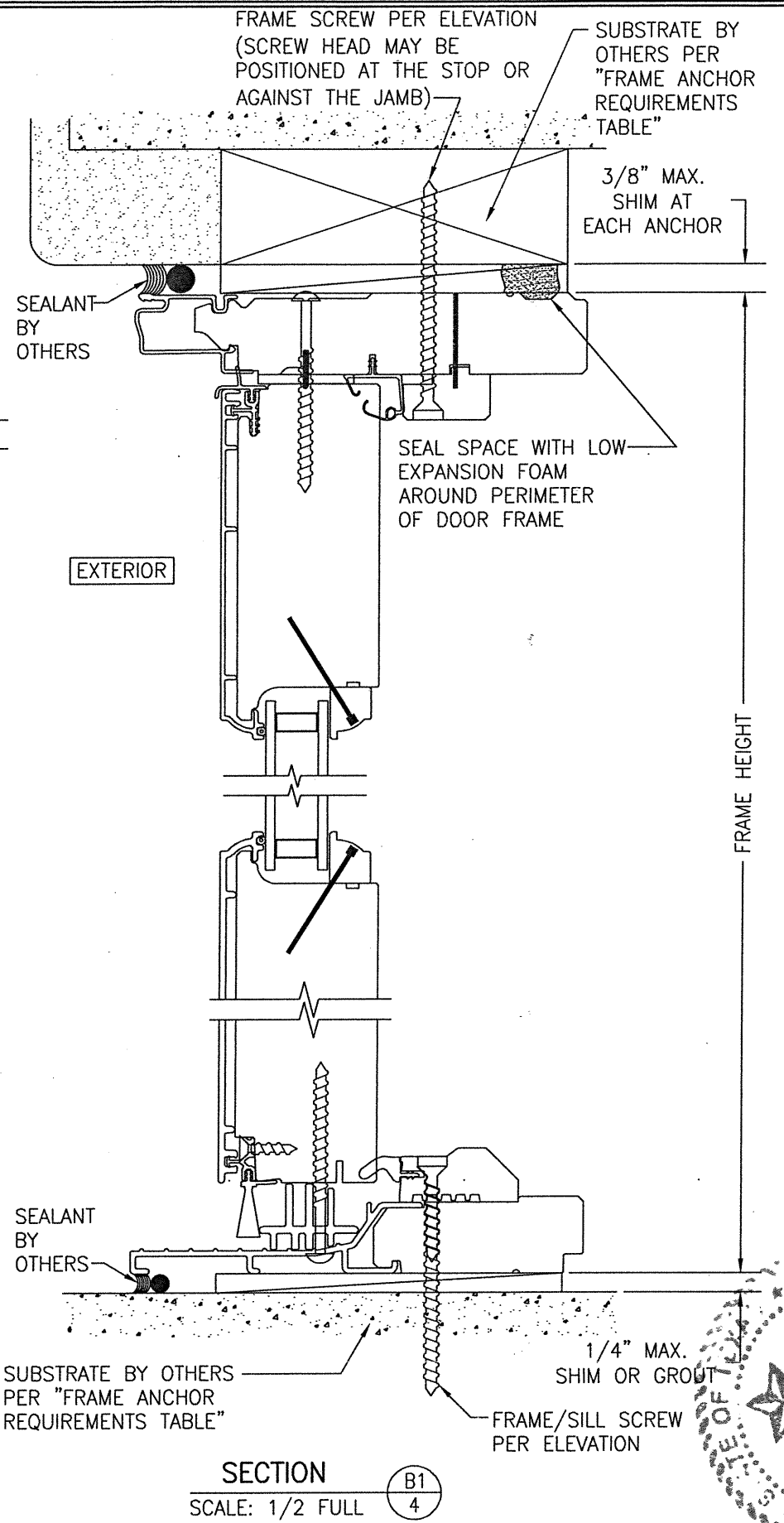
SECTION A1  
SCALE: 1/2 FULL

FRAME SCREW MOUNT SHOWN. SEE DETAILS ON SHEET 6 FOR DIRECT MOUNT & CLIP MOUNT DETAILS.



SECTION A2  
SCALE: 1/2 FULL

(FOR SILL SECTION NOT SHOWN, SEE SECTION A1/4)

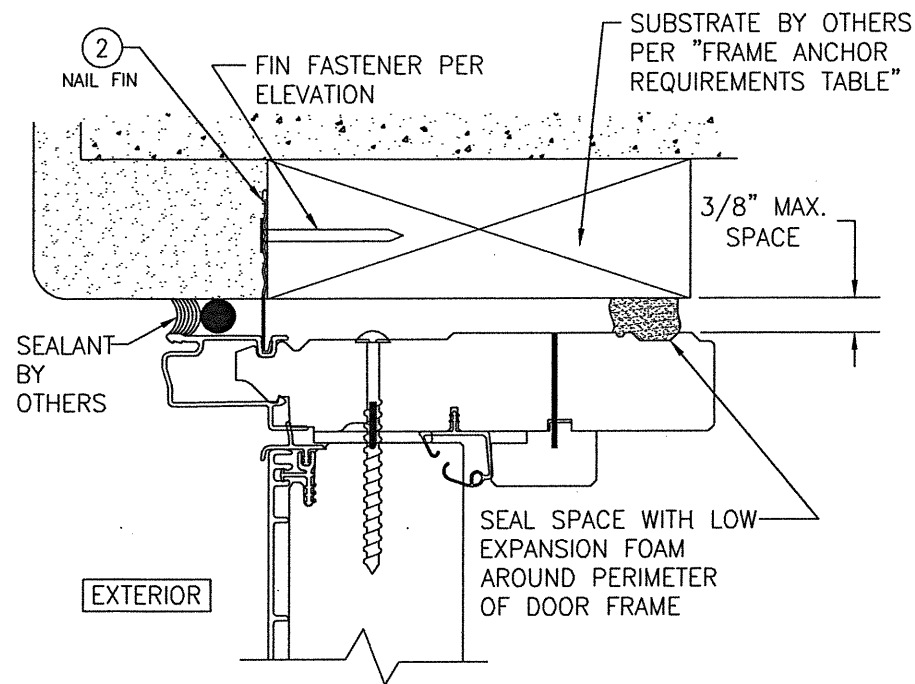


SECTION B1  
SCALE: 1/2 FULL

FRAME SCREW MOUNT SHOWN. SEE DETAILS ON SHEET 6 FOR DIRECT MOUNT & CLIP MOUNT DETAILS.

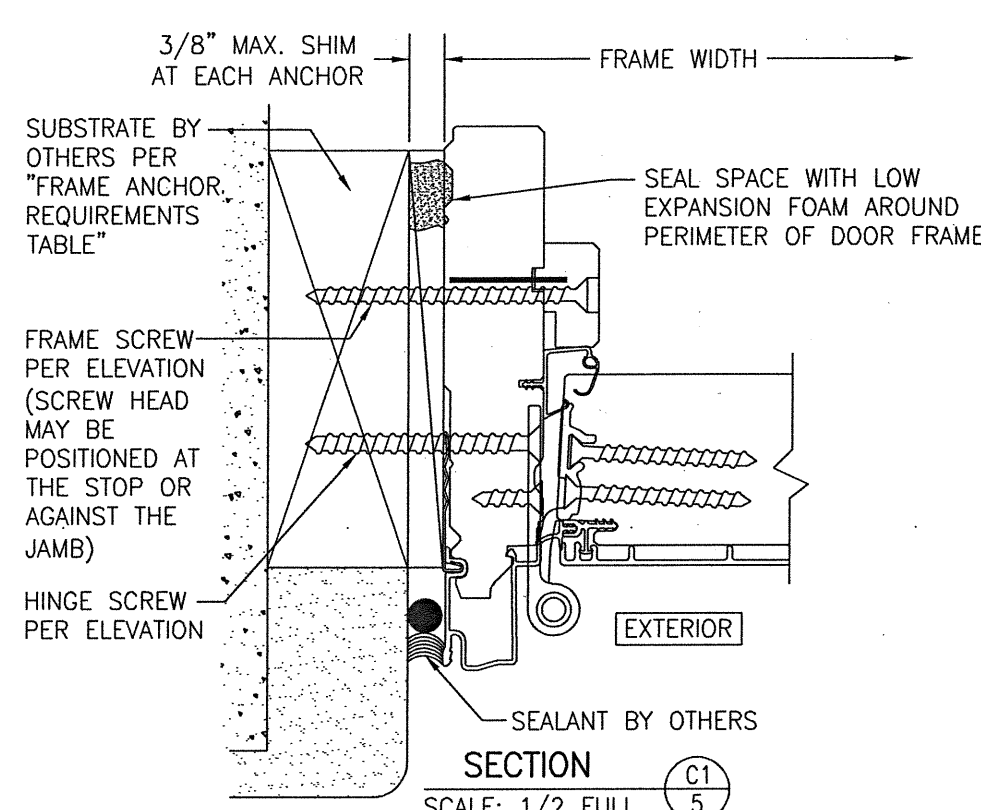
DRAWN BY: W.W.S.	CHECKED BY: W.W.S.
PLOT: 1=2	DATE: 06/08/21
NO.	REVISION DESCRIPTION
DATE	BY
DRAWING TITLE: PELLA ARCHITECT OUT-SWING NON-IMPACT ALUMINUM CLAD WOOD DOOR INSTALLATION REQUIREMENTS CONSULTANTS: W. W. SCHAEFER ENGINEERING & CONSULTING, P.A. (REG. NO. F-14980) 7480 150TH COURT NORTH PALM BEACH GARDENS, FL 33418 PHONE: 561-744-3424	
JOB INFORMATION: PELLA CORPORATION 102 MAIN STREET PELLA, IA 50219 641-621-1000	
CERTIFICATION: WARREN W. SCHAEFER P.E. NO. 13497 1987	
DRAWING NO. 1731T	REV.
SHEET NO. 4	OF 6





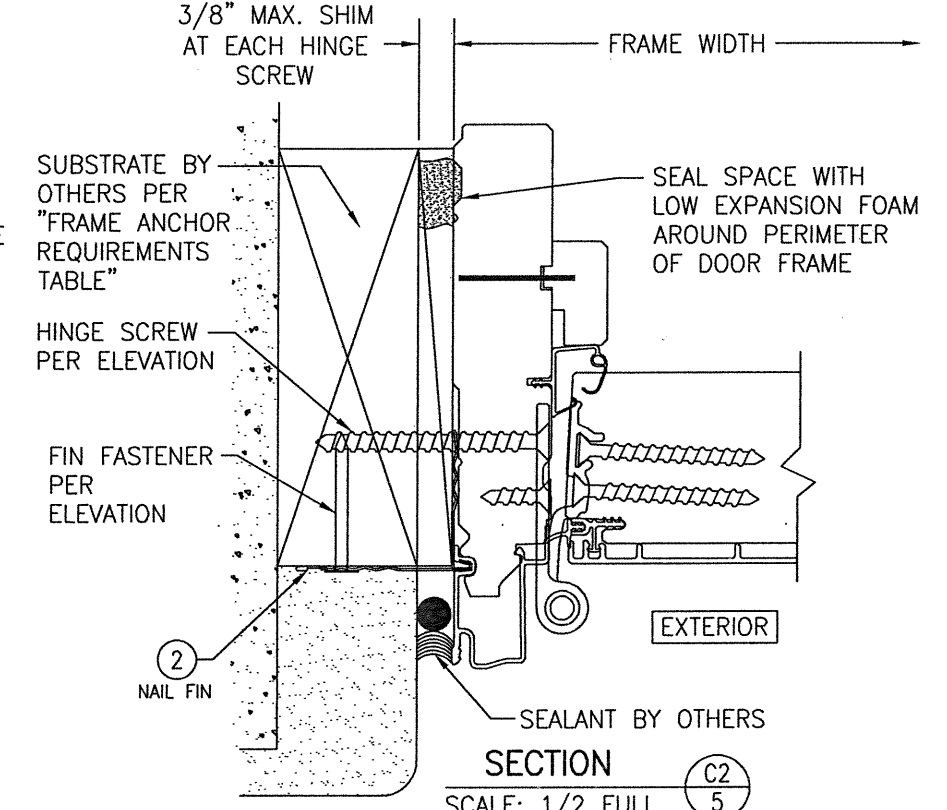
SECTION B2 (FIN MOUNT)  
SCALE: 1/2 FULL

(FOR SILL SECTION NOT SHOWN, SEE SECTION B1/4)

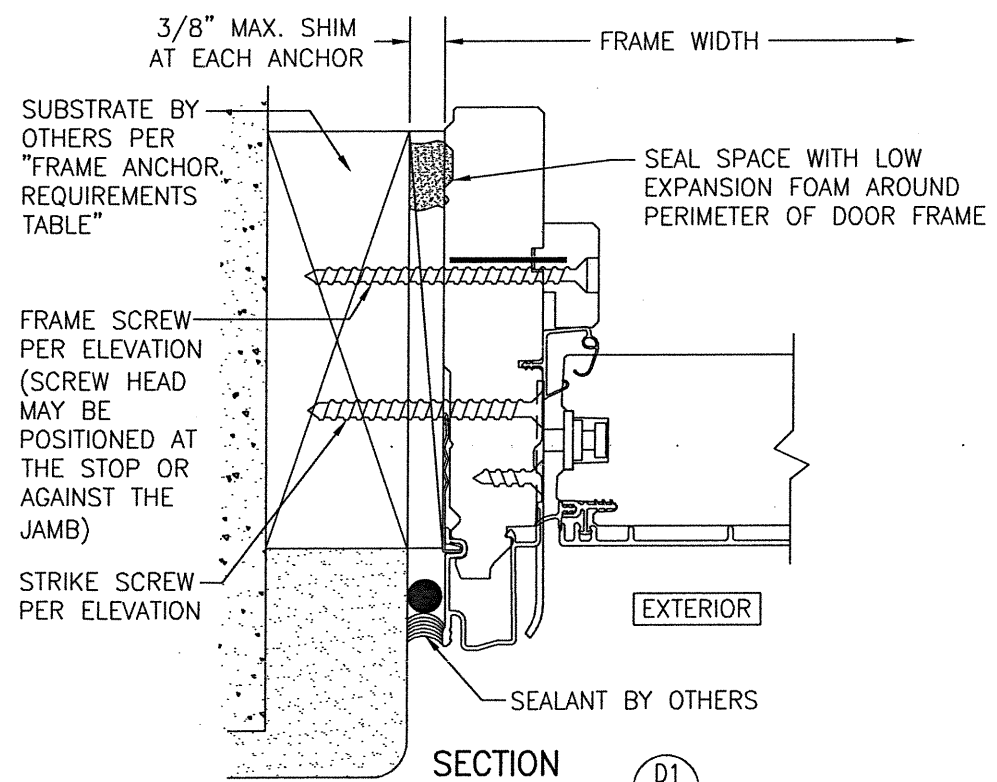


SECTION C1  
SCALE: 1/2 FULL

FRAME SCREW MOUNT SHOWN. SEE DETAILS ON SHEET 6 FOR DIRECT MOUNT & CLIP MOUNT DETAILS.

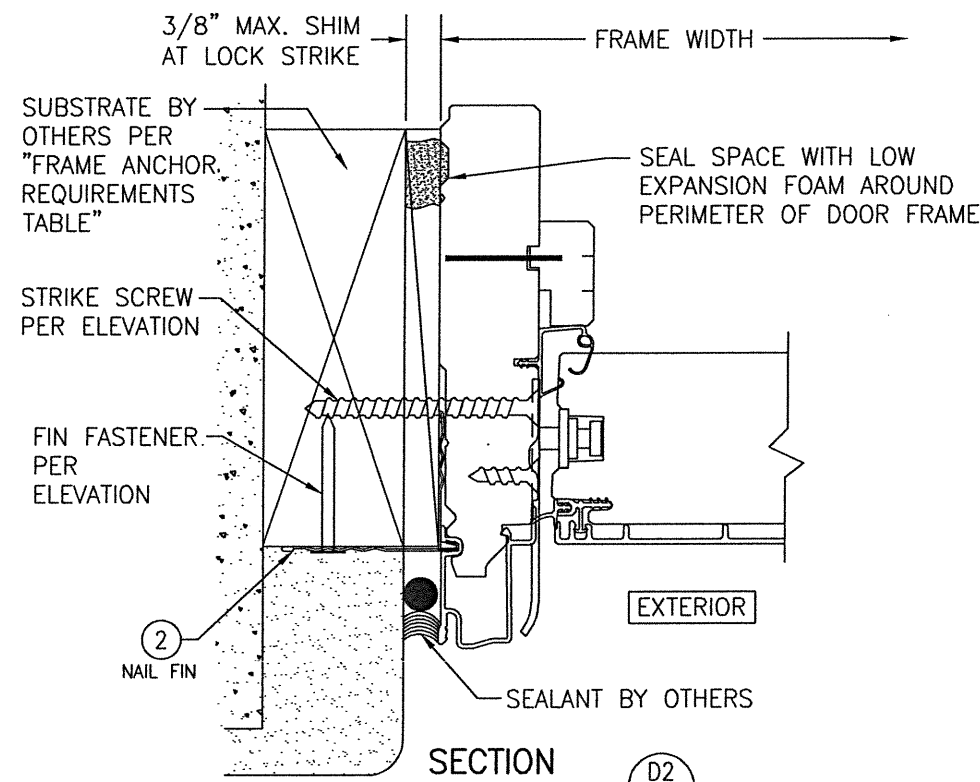


SECTION C2 (FIN MOUNT)  
SCALE: 1/2 FULL



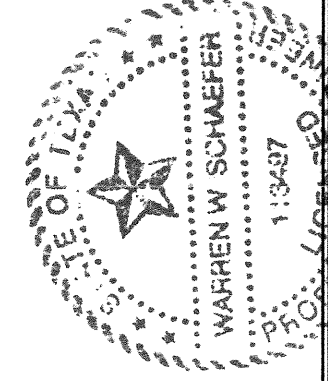
SECTION D1  
SCALE: 1/2 FULL

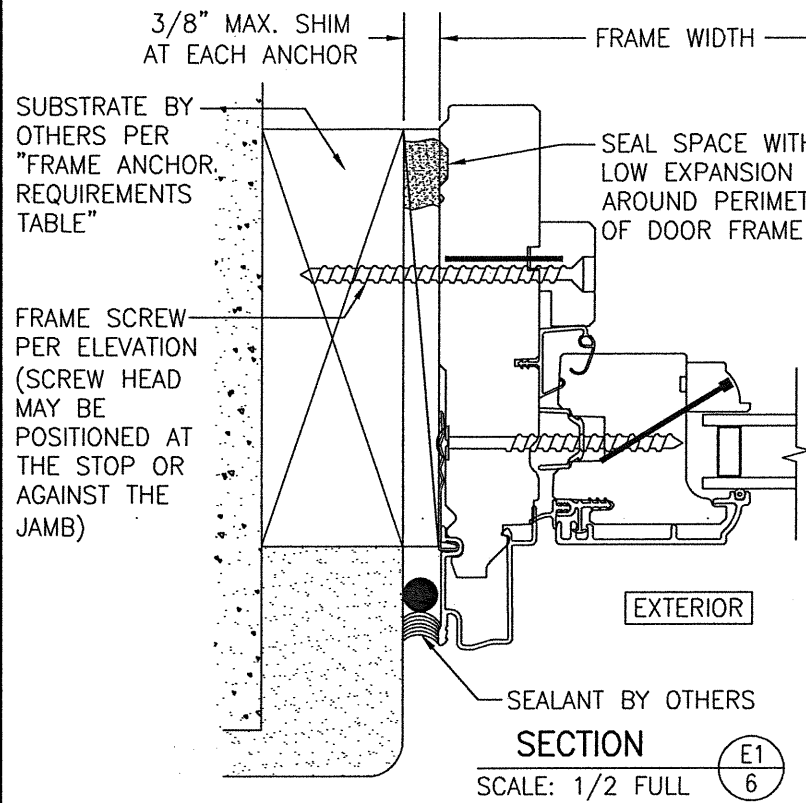
FRAME SCREW MOUNT SHOWN. SEE DETAILS ON SHEET 6 FOR DIRECT MOUNT & CLIP MOUNT DETAILS.



SECTION D2  
SCALE: 1/2 FULL

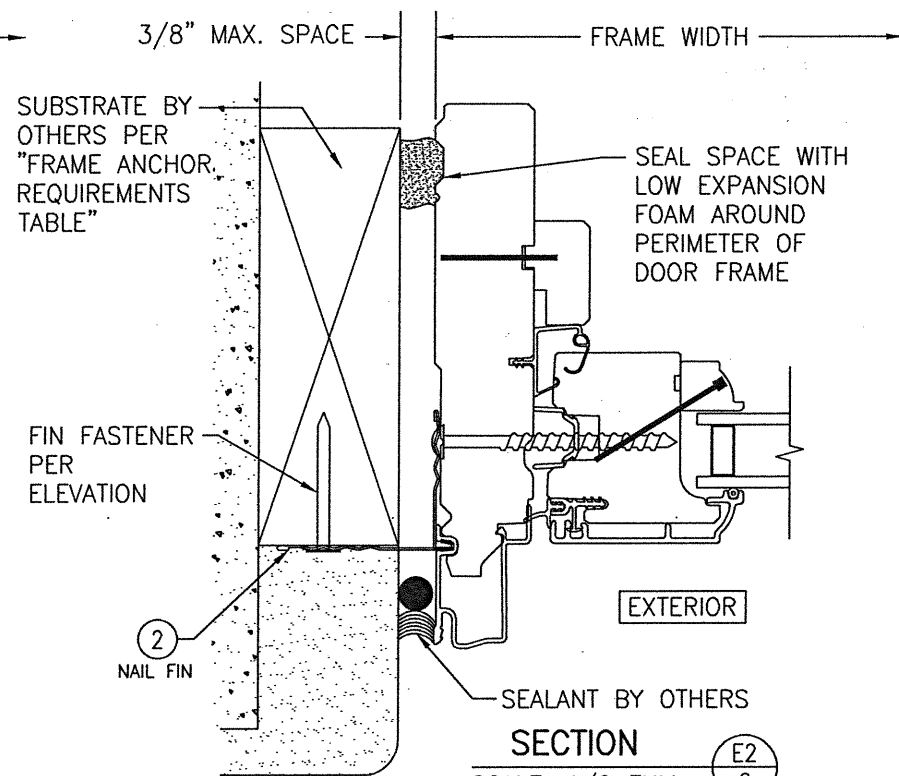
DRAWN BY: W.W.S.	CHECKED BY: W.W.S.
PLOT: 1=2	DATE: 06/08/21
DATE	BY
REVISION DESCRIPTION	NO.
DRAWING TITLE: PELLA ARCHITECT OUT-SWING NON-IMPACT ALUMINUM CLAD WOOD DOOR INSTALLATION REQUIREMENTS JOB INFORMATION: CONSULTANTS: W. W. SCHAEFER ENGINEERING & CONSULTING, P.A. (REG. NO. F-14980) 7480 150TH COURT NORTH PALM BEACH GARDENS, FL 33418 PHONE: 561-744-3424 PELLA CORPORATION 102 MAIN STREET PELLA, IA 50219 641-621-1000	
DRAWING NO. 1731T SHEET NO. 5 OF 6	





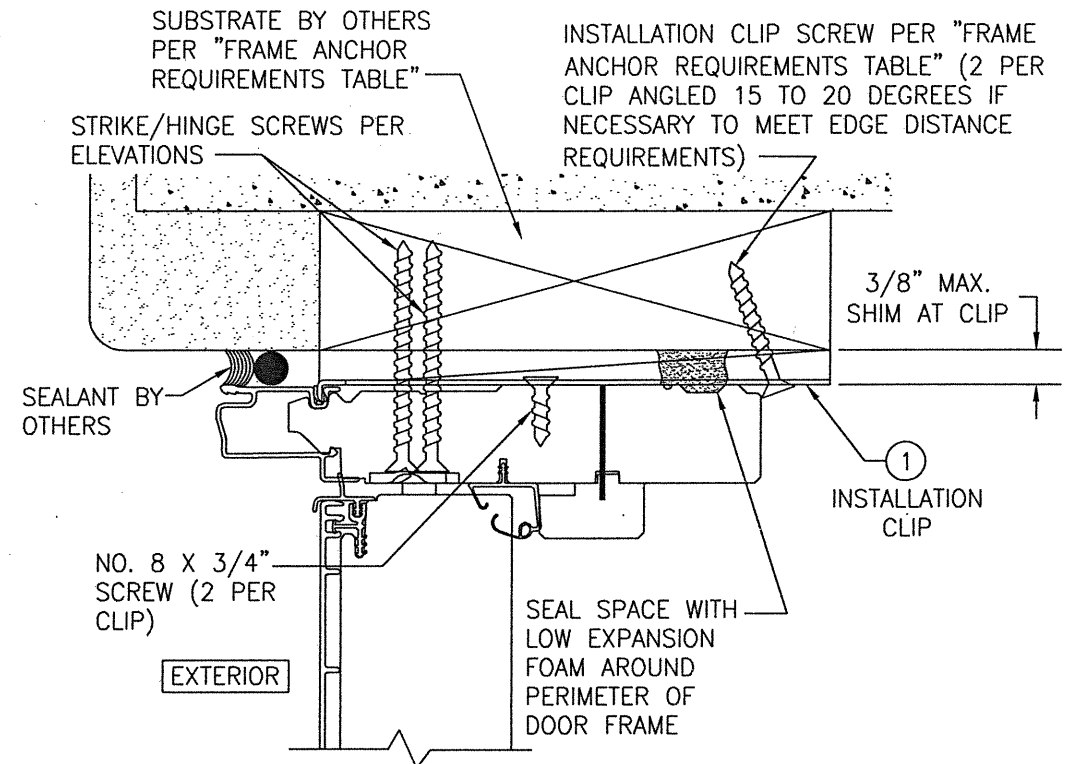
SECTION E1  
SCALE: 1/2 FULL

FRAME SCREW MOUNT SHOWN. SEE DETAILS ON THIS SHEET FOR DIRECT MOUNT & CLIP MOUNT DETAILS.



SECTION E2  
SCALE: 1/2 FULL

(FIN MOUNT)

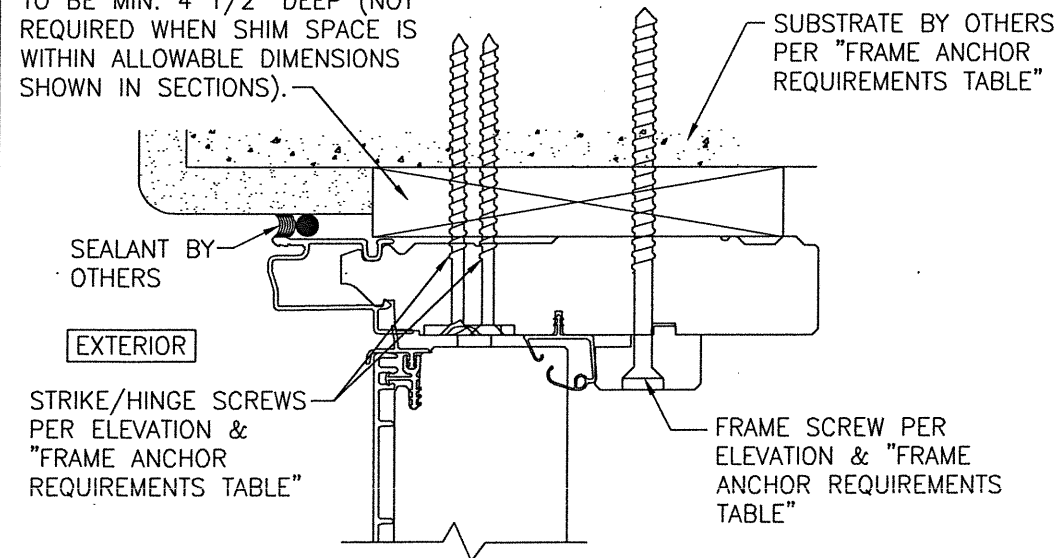


**INSTALLATION CLIP DETAIL**

**CLIP INSTALL NOTES:**

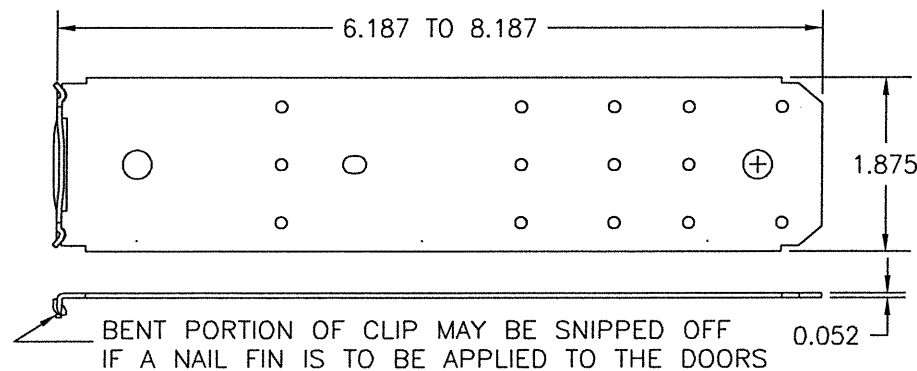
- 1) HEAD SECTION SHOWN. CLIP IS INSTALLED THE SAME AT THE SIDES.
- 2) INSTALLATION CLIP IS NOT APPLICABLE AT THE SILL.
- 3) FOR DETAIL NOT SHOWN, SEE OTHER SECTIONS.

CONTINUOUS WOOD MEMBER LESS IN THICKNESS THAN A 2X BUCK TO BE MIN. 4 1/2" DEEP (NOT REQUIRED WHEN SHIM SPACE IS WITHIN ALLOWABLE DIMENSIONS SHOWN IN SECTIONS).

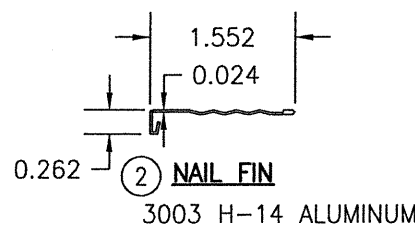


**OPTIONAL DIRECT MOUNT DETAIL TO SUBSTRATE WITH SPACER**

(HEAD SECTION SHOWN; SILL & SIDES ARE INSTALLED THE SAME)  
(FOR DETAIL NOT SHOWN, SEE OTHER SECTIONS)



① **FRAME INSTALLATION CLIP**  
(50 KSI STEEL)



② **NAIL FIN**

3003 H-14 ALUMINUM

DRAWN BY: W.W.S.	CHECKED BY: W.W.S.
PLOT: 1=2	DATE: 06/08/21
DATE	
BY	
REVISION DESCRIPTION	
NO.	
DRAWING TITLE: PELLA ARCHITECT OUT-SWING NON-IMPACT ALUMINUM CLAD WOOD DOOR INSTALLATION REQUIREMENTS	
JOB INFORMATION:	
PELLA CORPORATION 102 MAIN STREET PELLA, IA 50219 641-621-1000	
CONSULTANTS: W. W. SCHAEFER ENGINEERING & CONSULTING, P.A. (REG. NO. F-14980) 7480 150TH COURT NORTH PALM BEACH GARDENS, FL 33418 PHONE: 561-744-3424	
WARREN W. SCHAEFER, P.E. P.E. NO. 113497	
DRAWING NO.	REV.
1731T	
SHEET NO.	
6	OF 6

