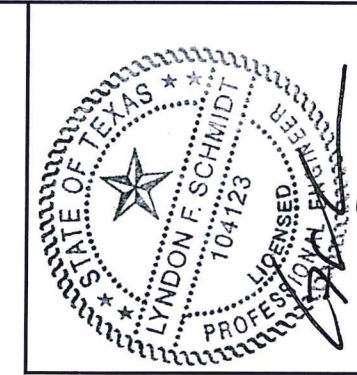
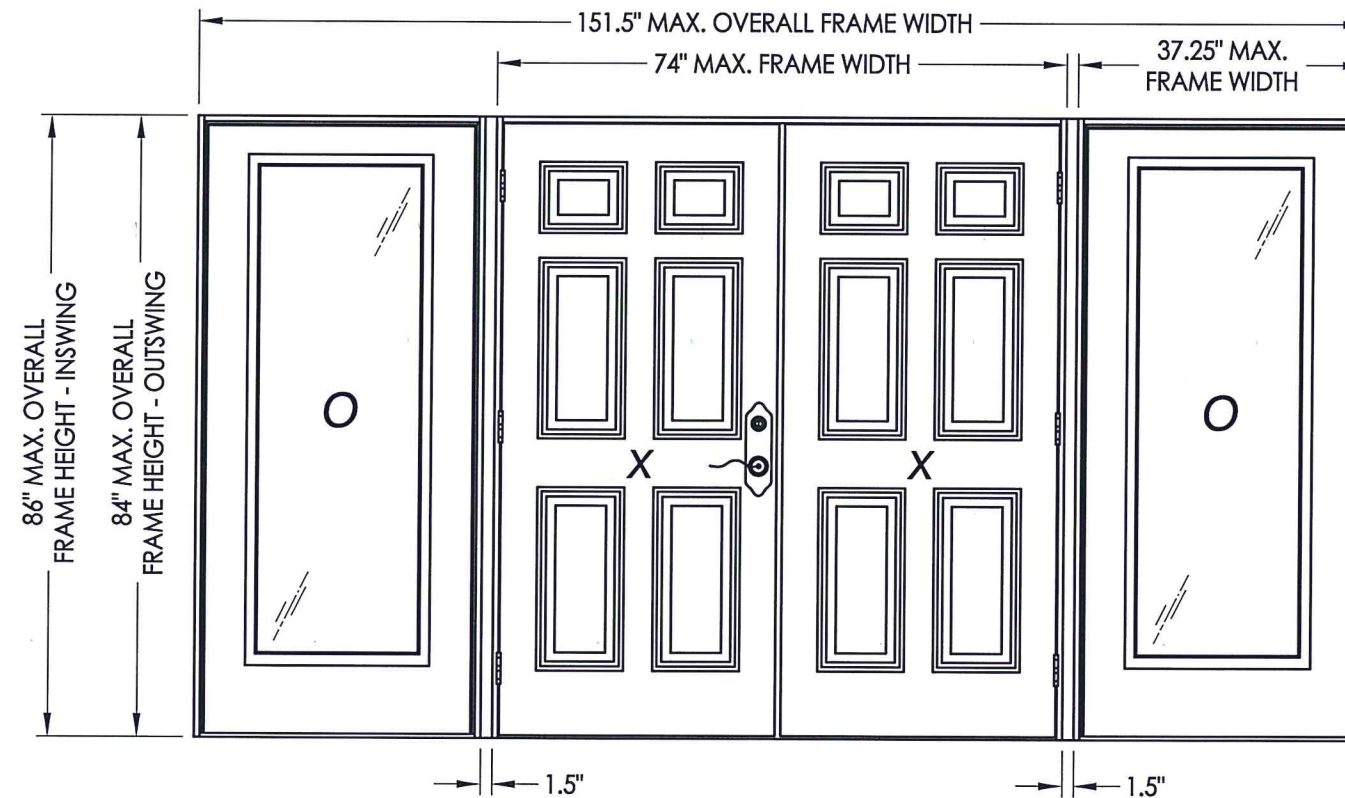
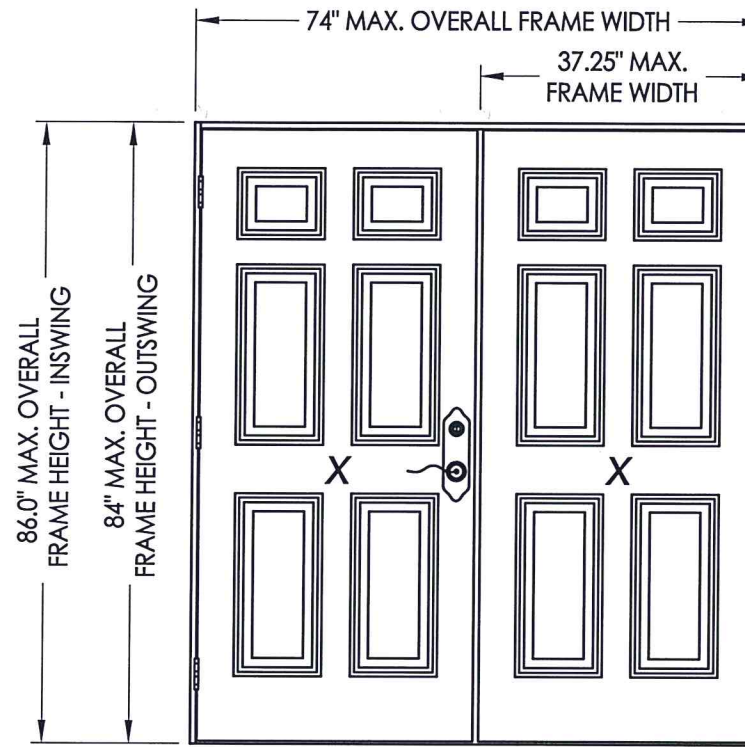


# plastpro

5200 W. CENTURY BLVD.  
LOS ANGELES, CA 90045

## OPAQUE FIBERGLASS DOUBLE DOOR w/ or w/out SIDELITES IN SWING / OUTSWING "IMPACT"



Documents Prepared By: Lyndon F. Schmidt, P.E.  
TEXAS P.E. #104123

**RW** BUILDING CONSULTANTS, INC.  
P.O. Box 230 Valrico FL 33595  
Phone No.: 813.659.9197  
TEXAS BOARD OF PROFESSIONAL ENGINEERS  
CERTIFICATE OF REGISTRATION # F-11852

### EVALUATED FOR USE IN THE STATE OF TEXAS

The Fiberglass Door system described herein complies with the 2018 International Residential Code (IRC), Sections R301 & R609 and the 2018 International Building Code (IBC), Sections 1404.13, 1609, 1709.5, 2403 and 2404 subject to the following conditions:

1. Anchors shall be as listed and spaced as shown in the details. Anchor embedment to base material shall be beyond wall dressing or stucco.
2. This system has been tested and evaluated as a large missile impact protective system for installation in areas that require wind borne debris protection. This product meets missile level "D" as defined in ASTM E 1996.
3. Allowable design pressure requirements must be equal to or less than the design pressure rating shown in the design pressure chart, sheet 1 of this drawing.
4. Conditions not covered by this drawing are subject to further engineering analysis.

**TABLE OF CONTENTS**

SHEET#	DESCRIPTION
1	Typical elevations, design pressures & general notes
2	Door panel details
3	Sidelite panel details
4	Elevations
5	Horizontal cross sections
6	Vertical cross sections
7	Vertical cross sections
8	Frame anchoring
9	Frame anchoring
10	Astragal & multi-point lock details
11	Lite frame & glazing details
12	Bill of materials and components

CONFIGURATION	MAX. FRAME DIMENSION	MAX. SIDELITE D.L.O. DIMENSION	GLASS TYPE	DESIGN PRESSURE (PSF) INSWING		DESIGN PRESSURE (PSF) OUTSWING	
				POSITIVE	NEGATIVE	POSITIVE	NEGATIVE
XX	74.0" x 86.0"	N/A	N/A	+50.0	-55.0	+50.0	-50.0
OXXO	151.5" x 86.0"	20.63" x 62.63"	G1	+50.0	-55.0	+50.0	-50.0

PRODUCT: PLASTPRO FIBERGLASS DOOR  
PART OR ASSEMBLY: TYPICAL ELEVATION, DESIGN PRESSURES & GENERAL NOTES

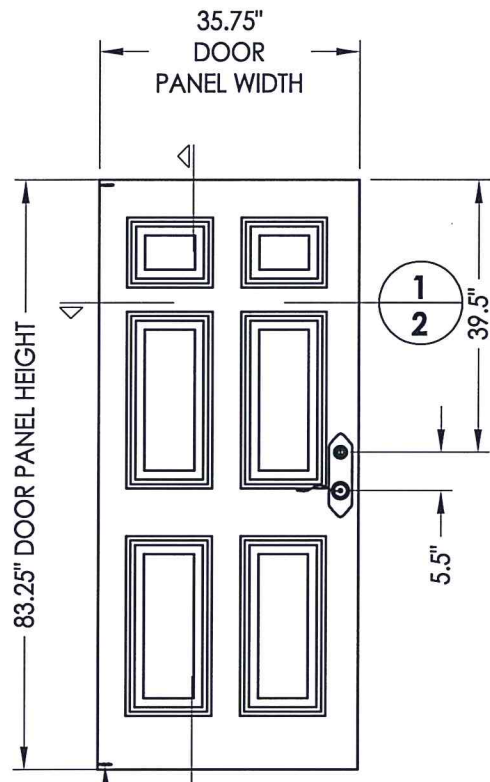
NO.	DATE	REVISIONS
1	5/12/20	UPDATE TO 2018 IBC/IRC CODE AND REVISE IMPACT LITE FRAME

DATE: 04/13/10  
SCALE: N.T.S.  
DWG. BY: JK  
CHK. BY: LFS  
DRAWING NO.: TX-4071  
SHEET 1 OF 12

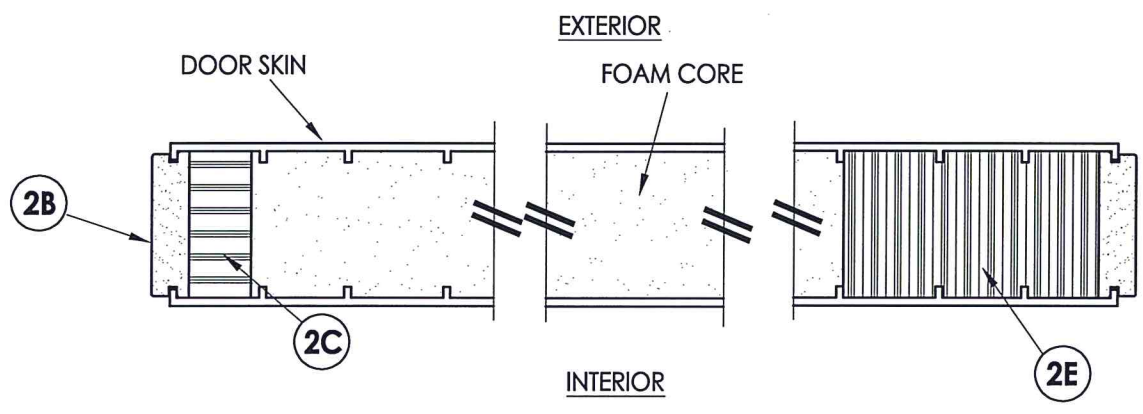
R:\Clients\Plastpro, Inc PERMANENT\B - TD\Hinged Doors - Fiberglass\DR - 454 Opaque Fiberglass (Impact)\C - Drawings\TX-4070-71.dwg, TX-4071

© 2010 R.W. BUILDING CONSULTANTS INC.

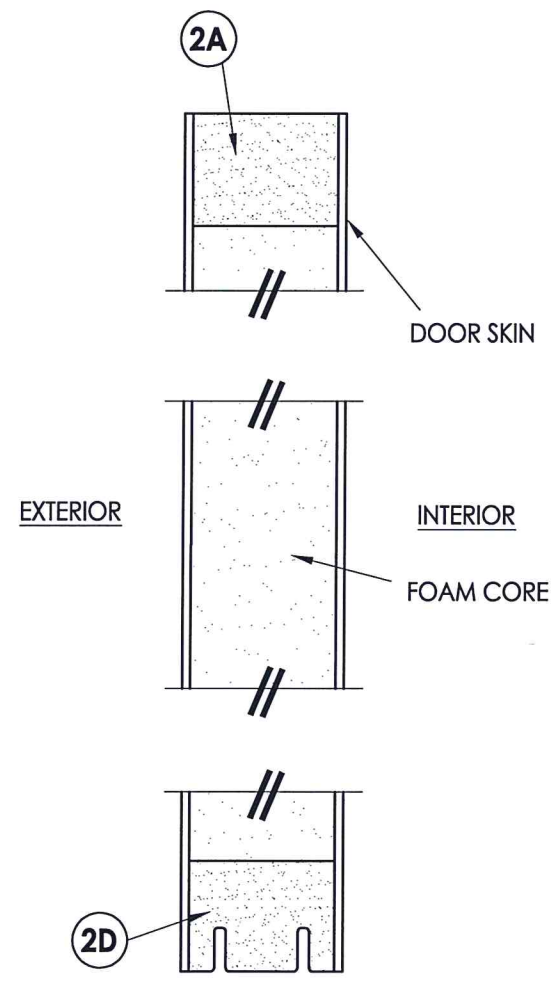
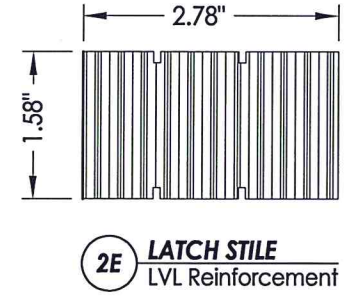
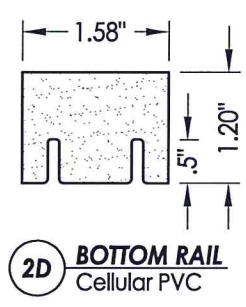
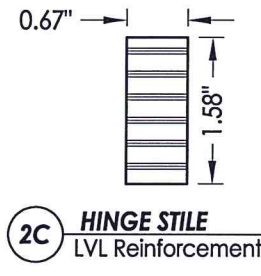
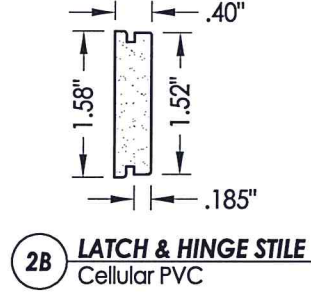
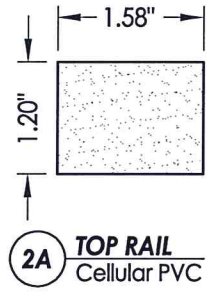
R:\Clients\Plastpro, Inc PERMANENT B - TD\Hinged Doors - Fiberglass\DR - 454 Opaque Fiberglass (Impact)\C - Drawings\TX-4070-71.dwg, 4-2



**40 DOOR PANEL**



**1 HORIZONTAL CROSS SECTION**



**2 VERTICAL CROSS SECTION**



Documents Prepared By: Lyndon F. Schmidt, P.E.  
TEXAS P.E. #104123

**RW** BUILDING CONSULTANTS, INC.  
P.O. Box 230 Valrico FL 33595  
Phone No.: 813.659.9197

TEXAS BOARD OF PROFESSIONAL ENGINEERS  
CERTIFICATE OF REGISTRATION # F-11852

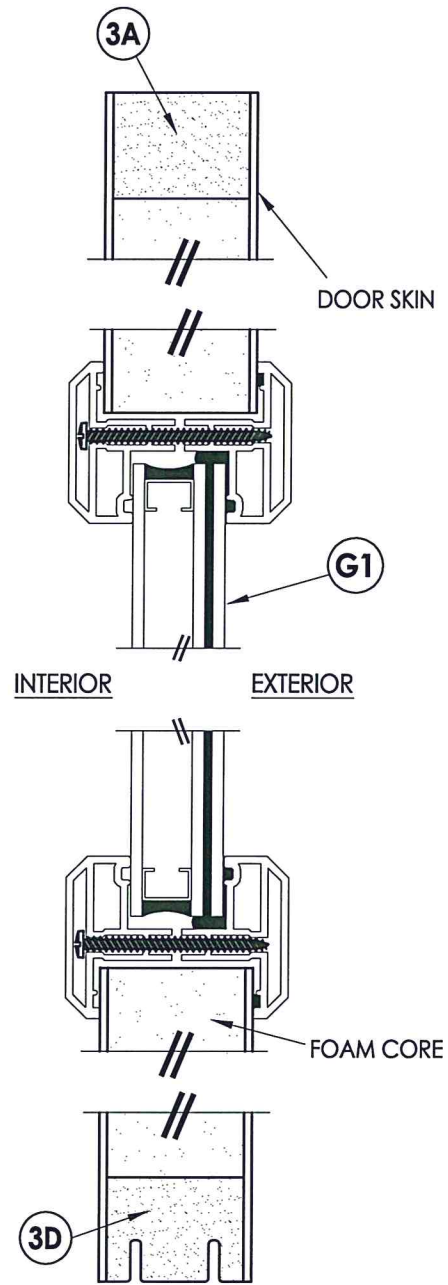
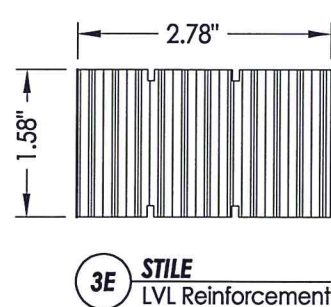
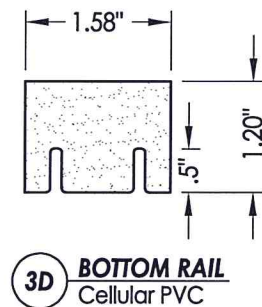
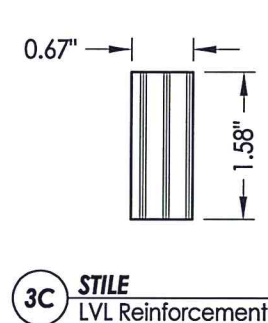
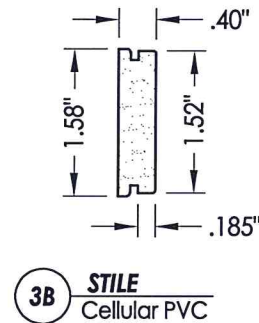
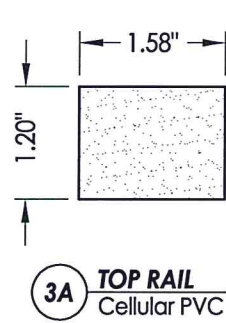
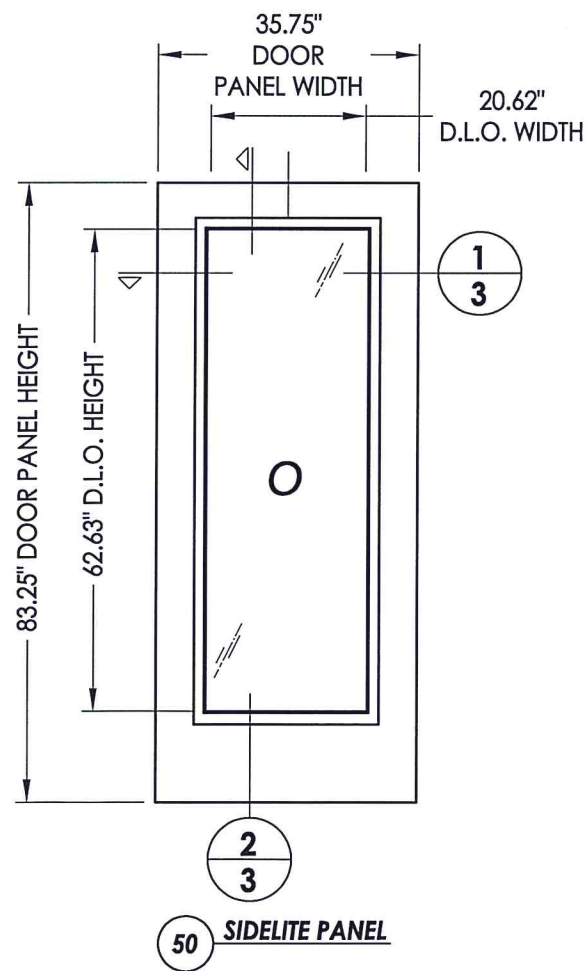
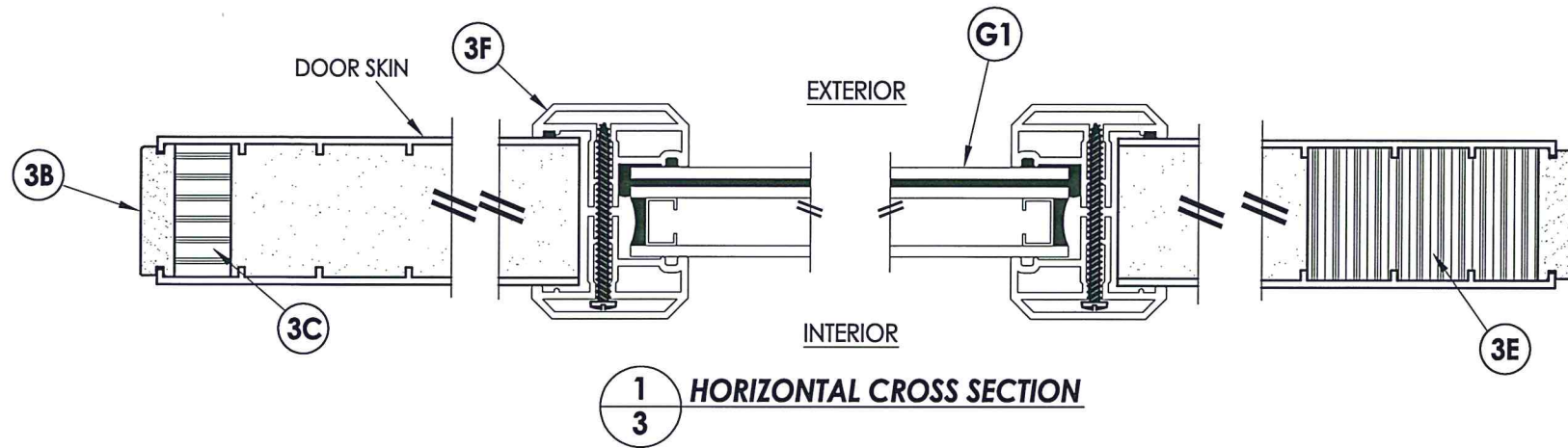
PRODUCT:		PLASTPRO FIBERGLASS DOOR	
PART OR ASSEMBLY:		DOOR PANEL DETAILS	
NO.	DATE	BY	REVISIONS
1	5/12/20	LFS	UPDATE TO 2018 IBC/IRC CODE AND REVISE IMPACT LITE FRAME

NOTE:  
1. #8 x 2" PFH wood screw through hinge cap into top and bottom rails for D.P. > 47 PSF.

FIBERGLASS DOOR SKIN: MIN. 0.075" THK.  
CORE MATERIAL: POLYURETHANE FOAM (MIN. 1.9 PCF DENSITY)

DATE: 04/13/10  
SCALE: N.T.S.  
DWG. BY: JK  
CHK. BY: LFS  
DRAWING NO.: TX-4071  
SHEET 2 OF 12

R:\Clients\Plastipro, Inc PERMANENT\B - TD\Hinged Doors - Fiberglass\DR - 454 Opaque Fiberglass (Impact)\C - Drawings\TX-4070-71.dwg, 4-3



Documents Prepared By: Lyndon F. Schmidt, P.E.  
TEXAS P.E. #104123

**RW** BUILDING CONSULTANTS, INC.  
P.O. Box 230 Valrico FL 33595  
Phone No.: 813.659.9197

TEXAS BOARD OF PROFESSIONAL ENGINEERS  
CERTIFICATE OF REGISTRATION # F-11852

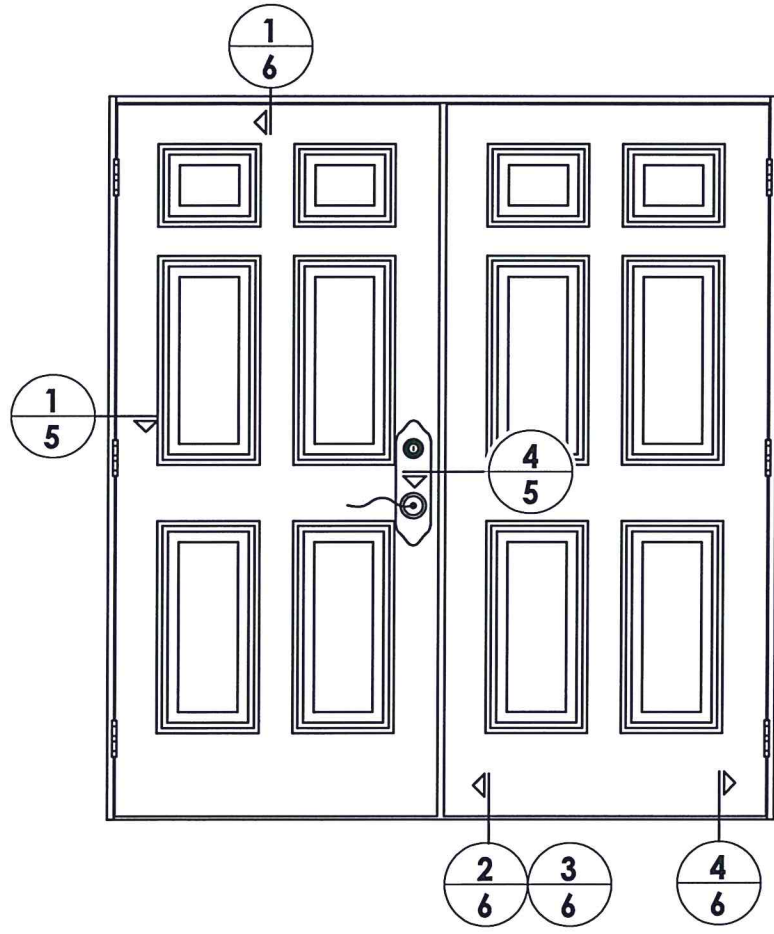
PRODUCT: PLASTIPRO FIBERGLASS DOOR

PART OR ASSEMBLY: SIDELITE PANEL & GLAZING DETAILS

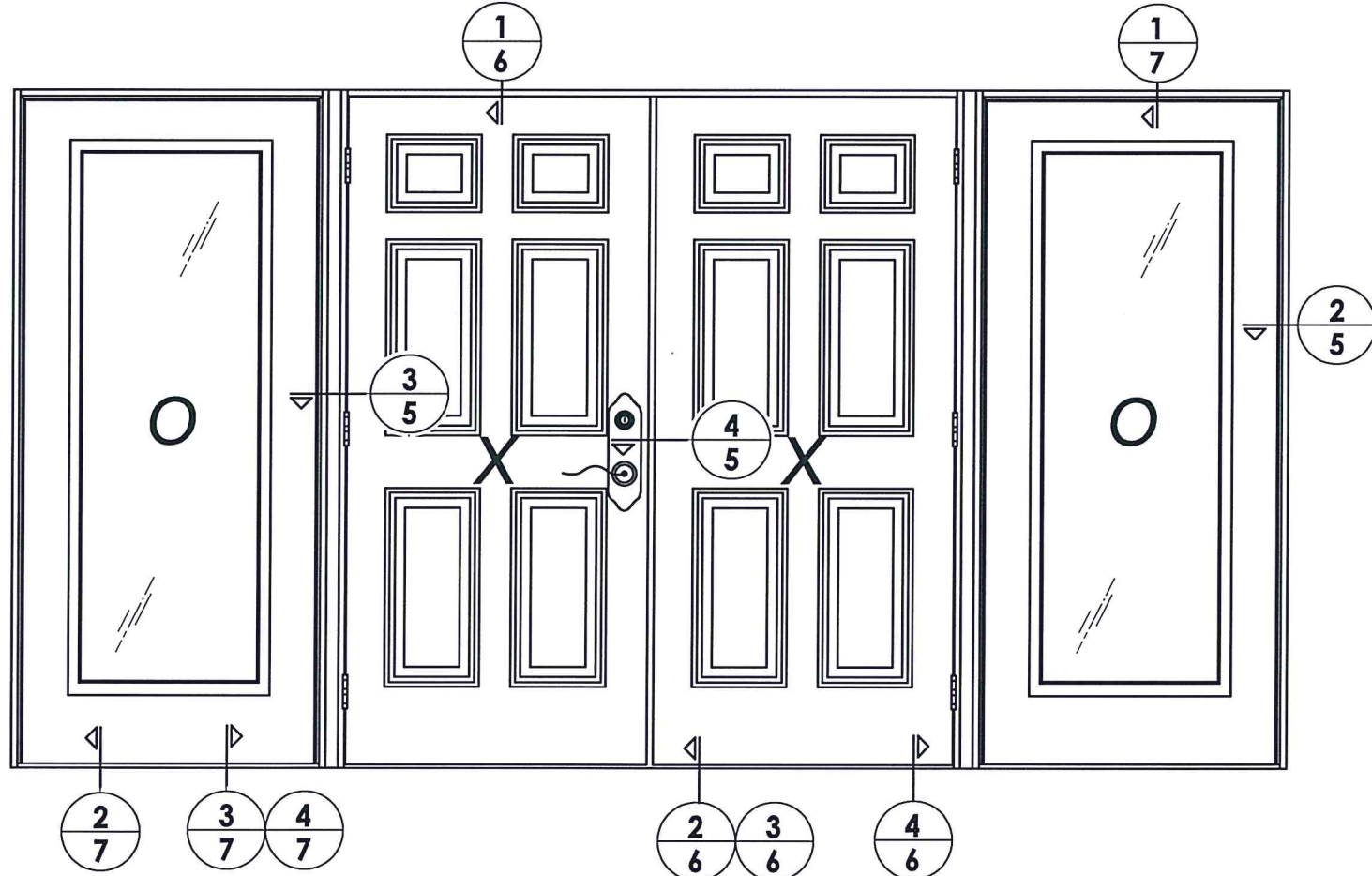
NO.	DATE	REVISIONS
1	5/12/20	UPDATE TO 2018 IBC/IRC CODE AND REVISE IMPACT LITE FRAME

DATE: 04/13/10  
SCALE: N.T.S.  
DWG. BY: JK  
CHK. BY: LFS  
DRAWING NO.: TX-4071  
SHEET 3 OF 12

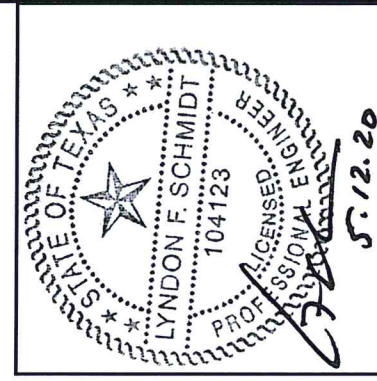
FIBERGLASS DOOR SKIN: MIN. 0.075" THK.  
CORE MATERIAL: POLYURETHANE FOAM (MIN. 1.9 PCF DENSITY)



ELEVATION (XX)



ELEVATION (OXXO)

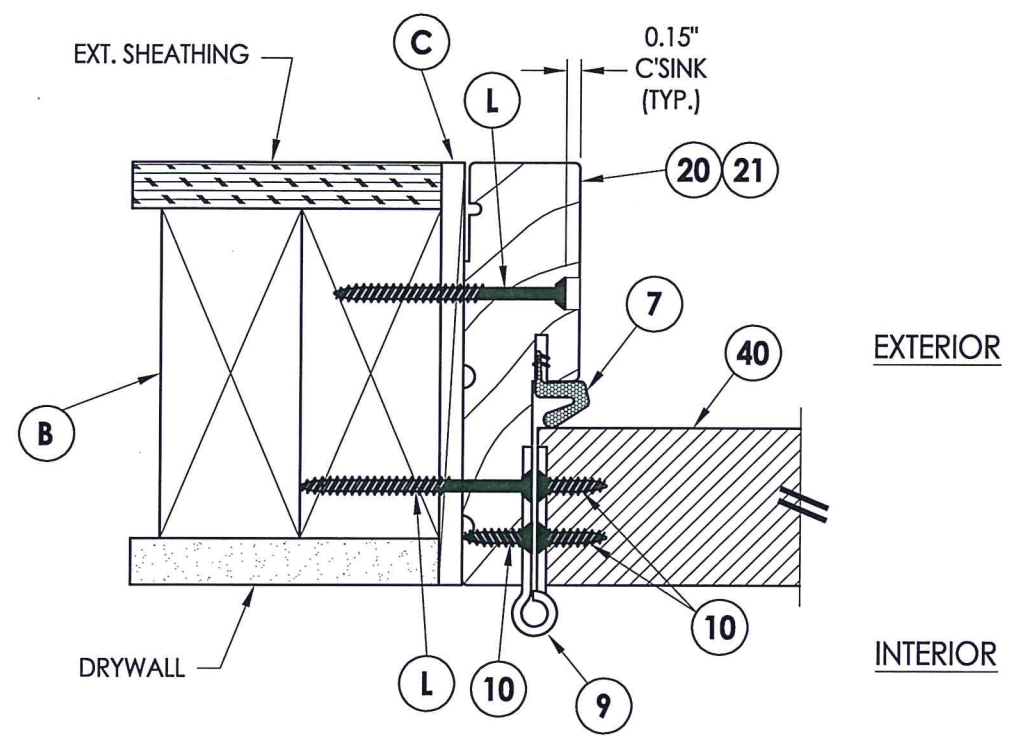


Documents Prepared By: Lyndon F. Schmidt, P.E.  
TEXAS P.E. #104123

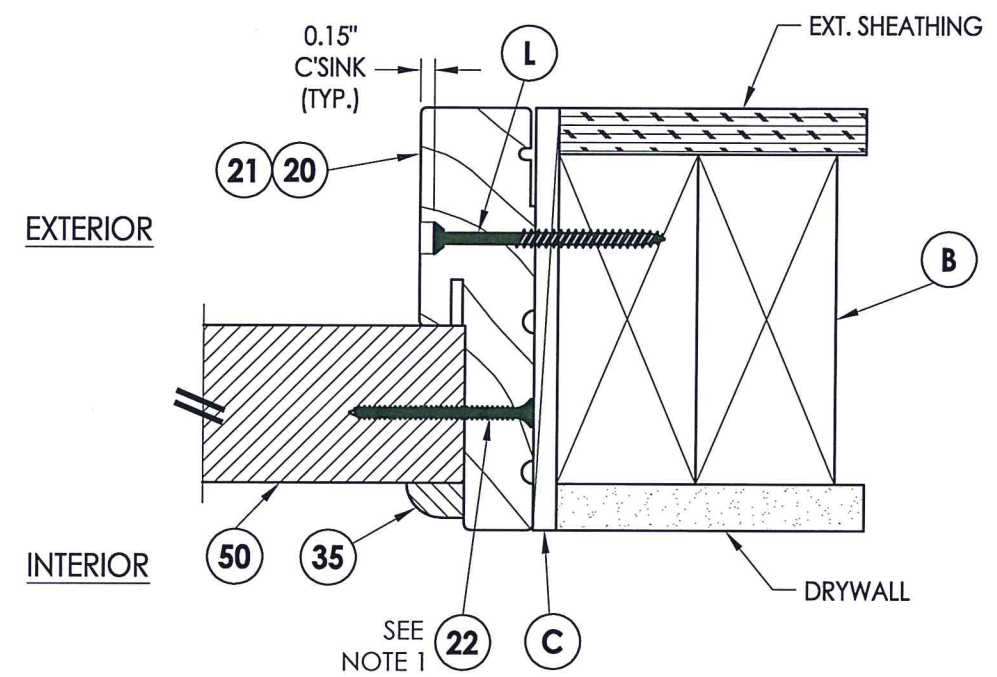
**RW** BUILDING CONSULTANTS, INC.  
P.O. Box 230 Valrico FL 33595  
Phone No.: 813.659.9197  
TEXAS BOARD OF PROFESSIONAL ENGINEERS  
CERTIFICATE OF REGISTRATION # F-11852

PRODUCT:		PLASTPRO FIBERGLASS DOOR	
PART OR ASSEMBLY:		ELEVATIONS	
NO.	DATE	DESCRIPTION	BY
1	5/12/20	UPDATE TO 2018 IBC/IRC CODE AND REVISE IMPACT LITE FRAME	LFS
REVISIONS			
DATE: 04/13/10			
SCALE: N.T.S.			
DWG. BY: JK			
CHK. BY: LFS			
DRAWING NO.: TX-4071			
SHEET 4 OF 12			

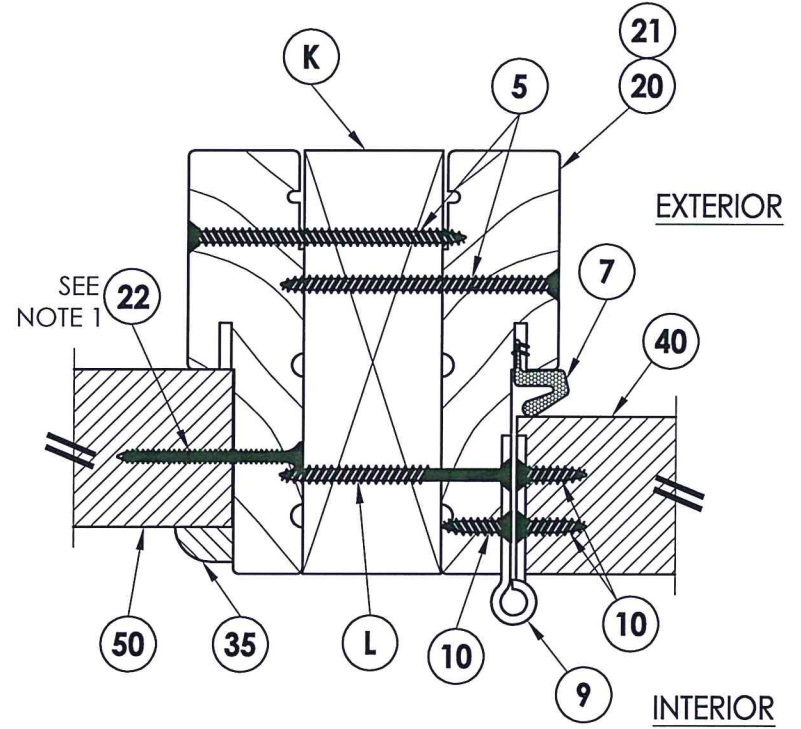
R:\Clients\Plastpro, Inc PERMANENT\B - TD\Hinged Doors - Fiberglass\DR - 454 Opaque Fiberglass (Impact)\C - Drawings\TX-4070-71.dwg, 4-5



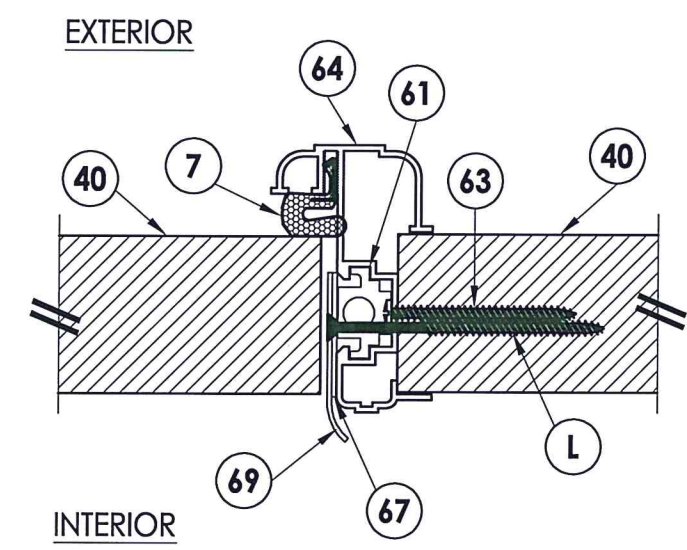
**1** HORIZONTAL CROSS SECTION  
**5** Inswing shown - outswing also approved



**2** HORIZONTAL CROSS SECTION  
**5** Inswing shown - outswing also approved

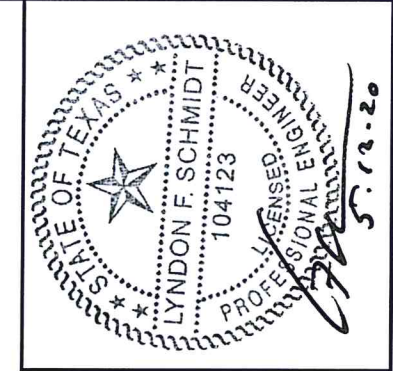


**3** HORIZONTAL CROSS SECTION  
**5** Inswing shown - outswing also approved



**4** HORIZONTAL CROSS SECTION  
**5** Inswing shown - outswing also approved

NOTE:  
1. Sidelite screws (item #22) located at 3", 6", 16", 27", 38", 49", 60", 70" and 80" from bottom of panel.



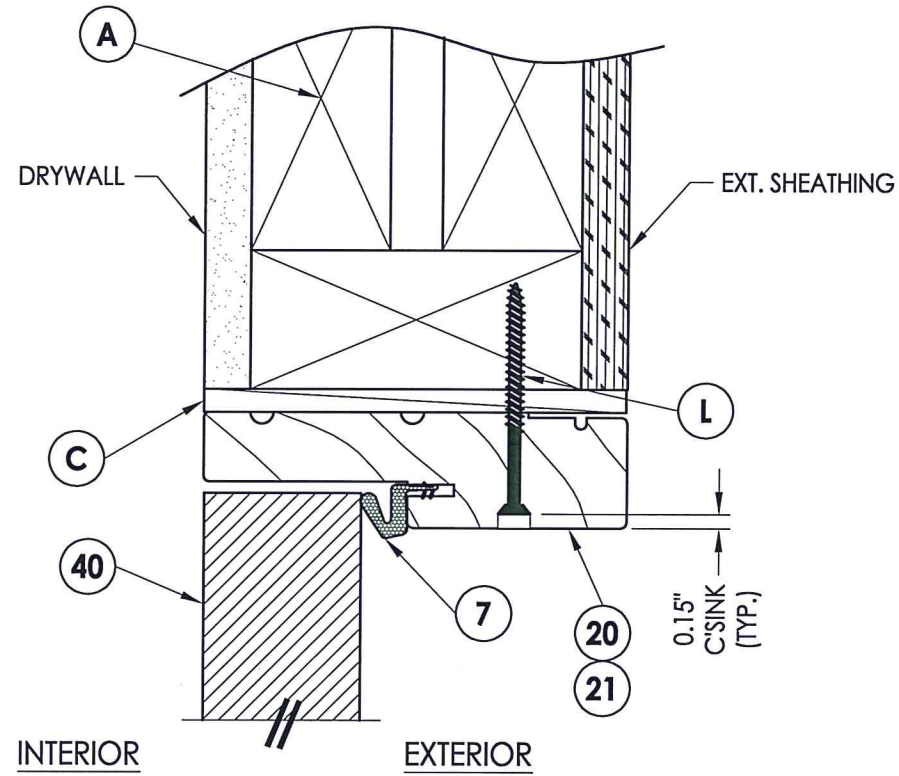
Documents Prepared By: Lyndon F. Schmidt, P.E.  
TEXAS P.E. #104123  
**RW** BUILDING CONSULTANTS, INC.  
P.O. Box 230 Vairico FL 33595  
Phone No.: 813.659.9197  
TEXAS BOARD OF PROFESSIONAL ENGINEERS  
CERTIFICATE OF REGISTRATION # F-11852

PRODUCT: PLASTPRO FIBERGLASS DOOR  
PART OR ASSEMBLY: HORIZONTAL CROSS SECTIONS

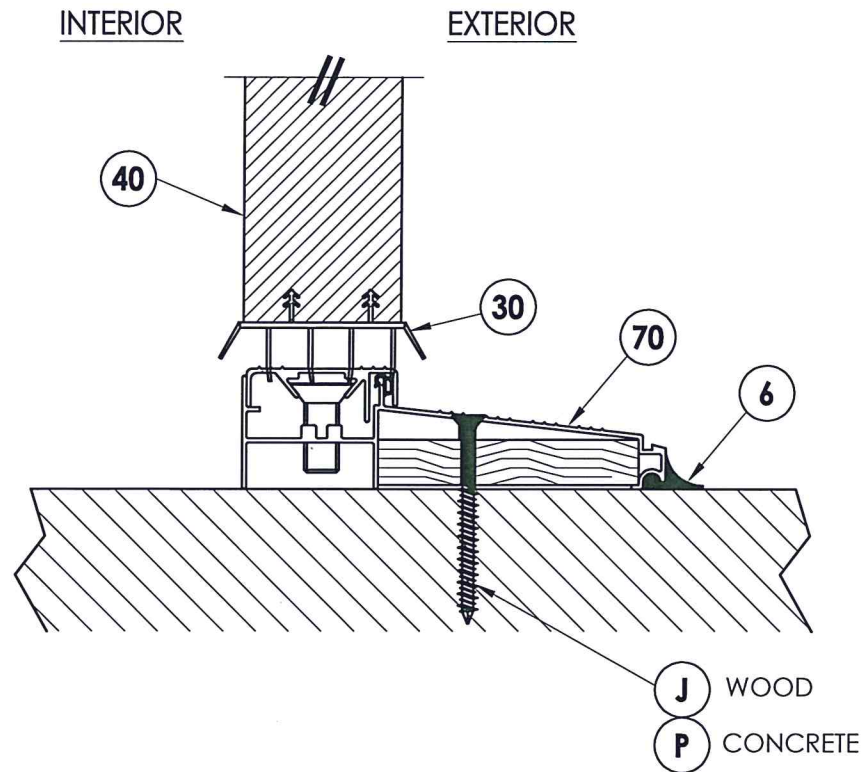
NO.	DATE	REVISIONS
1	5/12/20	UPDATE TO 2018 IBC/IRC CODE AND REVISE IMPACT LITE FRAME

DATE: 04/13/10  
SCALE: N.T.S.  
DWG. BY: JK  
CHK. BY: LFS  
DRAWING NO.: TX-4071  
SHEET 5 OF 12

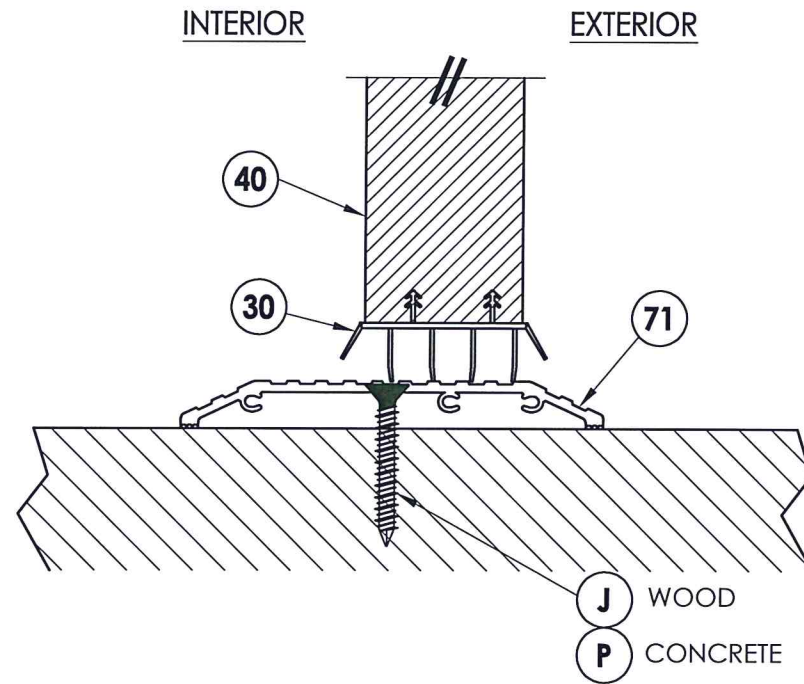
R:\Clients\Plastpro, Inc PERMANENT\B - TD\Hinged Doors - Fiberglass\DR - 454 Opaque Fiberglass (Impact)\C - Drawings\TX-4070-71.dwg, 4-6



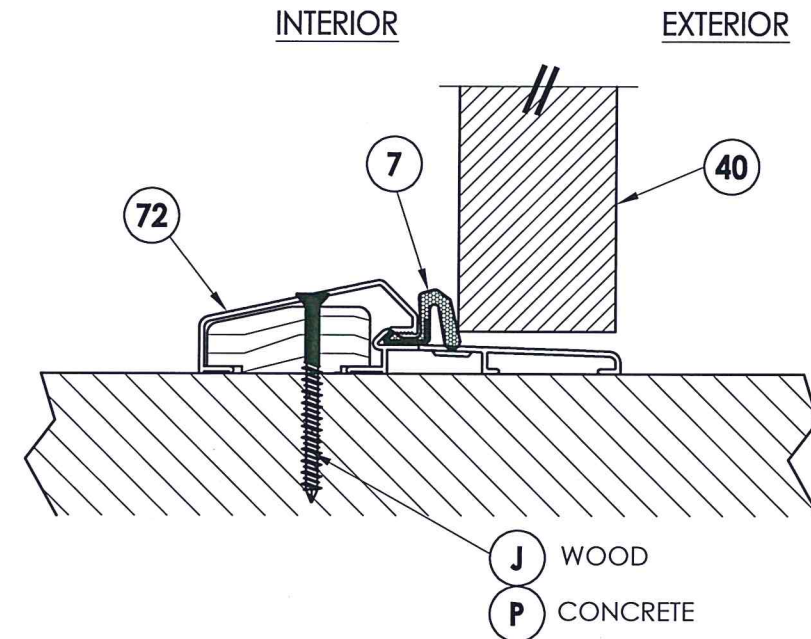
**1 VERTICAL CROSS SECTION**  
**6** Inswing shown - outswing also approved



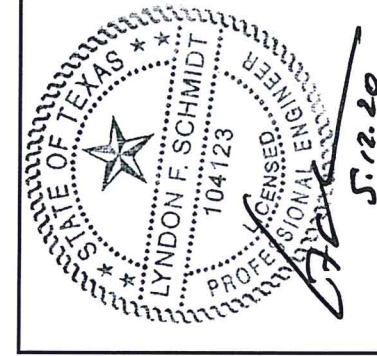
**2 VERTICAL CROSS SECTION**  
**6** Inswing configuration



**3 VERTICAL CROSS SECTION**  
**6** Shown w/ ADA threshold



**4 VERTICAL CROSS SECTION**  
**6** Outswing configuration



Documents Prepared By: Lyndon F. Schmidt, P.E.  
 TEXAS P.E. #104123

**RW** BUILDING CONSULTANTS, INC.  
 P.O. Box 230 Valrico FL 33595  
 Phone No.: 813.659.9197  
 TEXAS BOARD OF PROFESSIONAL ENGINEERS  
 CERTIFICATE OF REGISTRATION # F-11852

PRODUCT: PLASTPRO FIBERGLASS DOOR  
 PART OR ASSEMBLY: VERTICAL CROSS SECTIONS

NO.	DATE	REVISIONS
1	5/12/20	UPDATE TO 2018 IBC/IRC CODE AND REVISE IMPACT LITE FRAME

DATE: 04/13/10  
 SCALE: N.T.S.  
 DWG. BY: JK  
 CHK. BY: LFS  
 DRAWING NO.: TX-4071  
 SHEET 6 OF 12

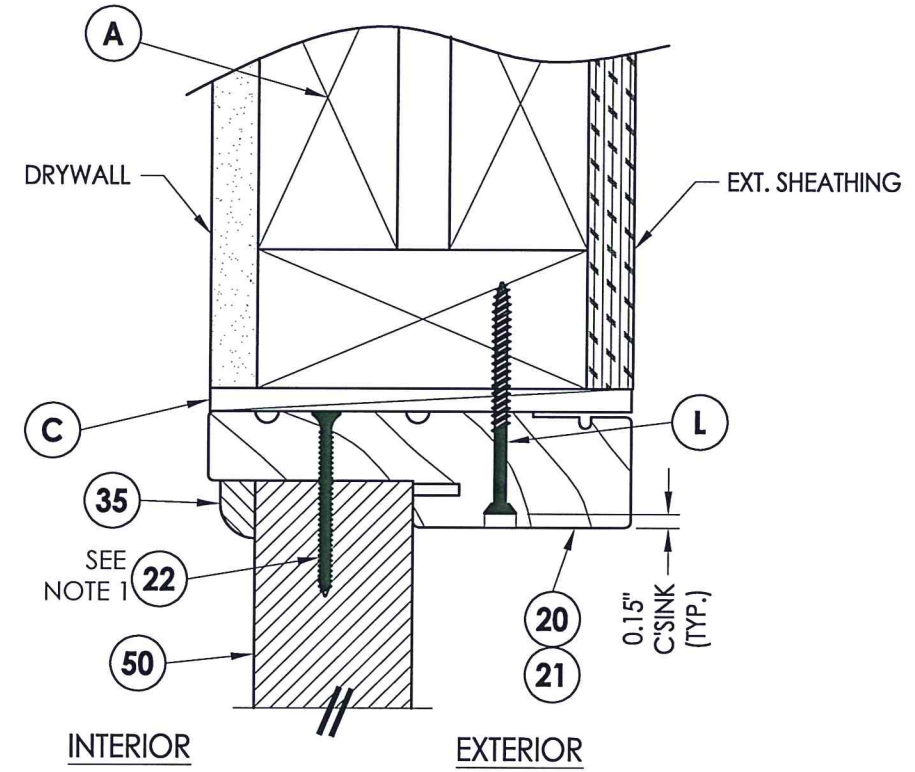
R:\Clients\Plastpro, Inc PERMANENT\B - TD\Hinged Doors - Fiberglass\DR - 454 Opaque Fiberglass (Impact)\C - Drawings\TX-4070-71.dwg, 4-7



Documents Prepared By: Lyndon F. Schmidt, P.E.  
TEXAS P.E. #104123

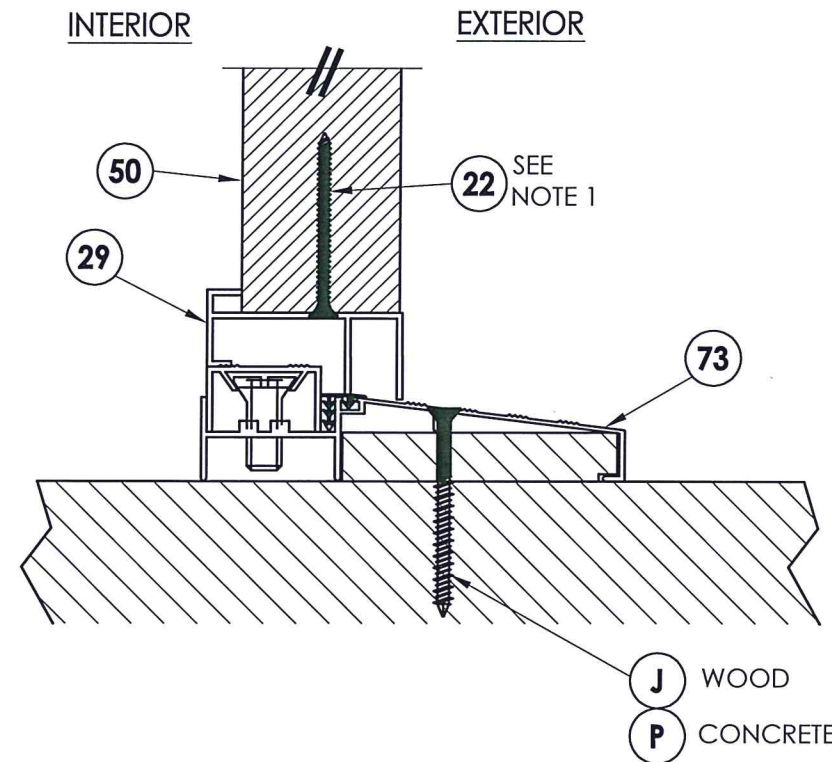
**RW** BUILDING CONSULTANTS, INC.  
P.O. Box 230 Valrico FL 33595  
Phone No.: 813.659.9197

TEXAS BOARD OF PROFESSIONAL ENGINEERS  
CERTIFICATE OF REGISTRATION # F-11852

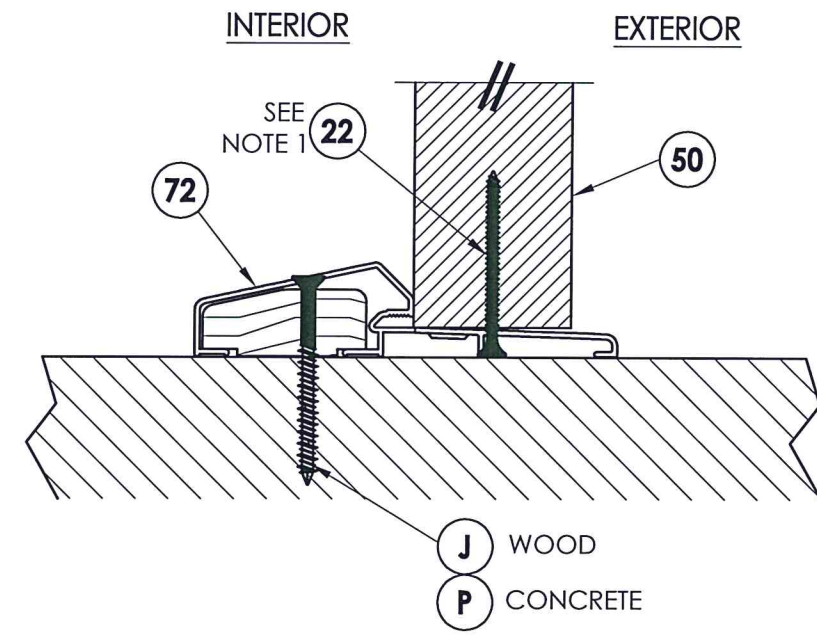


NOTE:  
1. Screws thru head and sill jamb located 3" from each end and on center line.

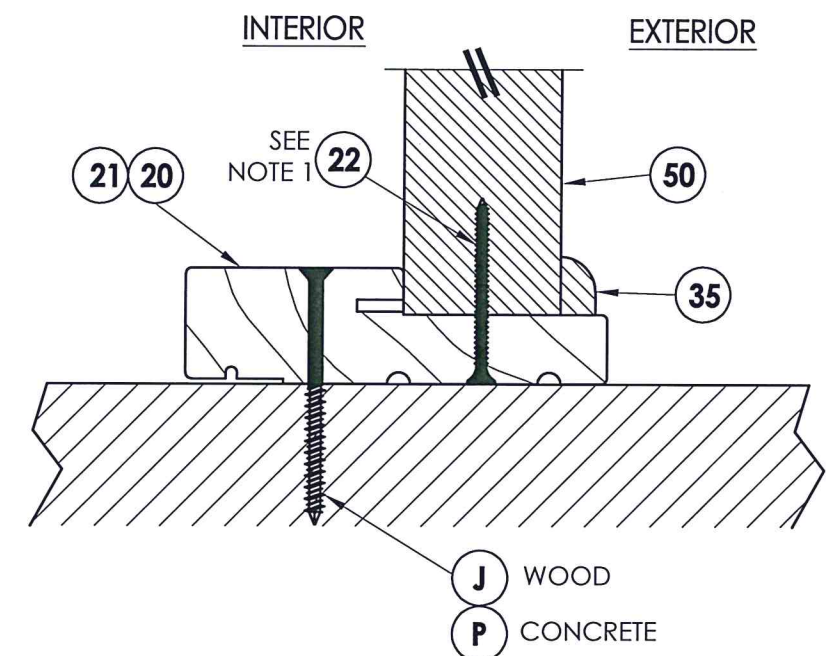
**1** VERTICAL CROSS SECTION  
**7** Inswing shown - outswing also approved



**2** VERTICAL CROSS SECTION  
**7** Inswing configuration

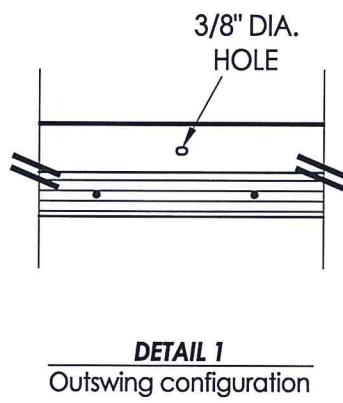
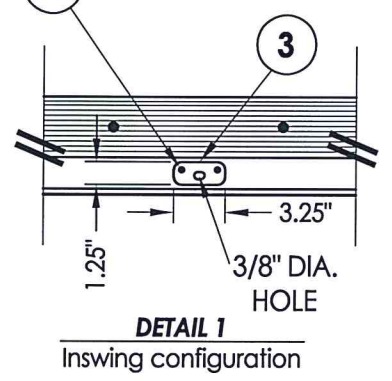
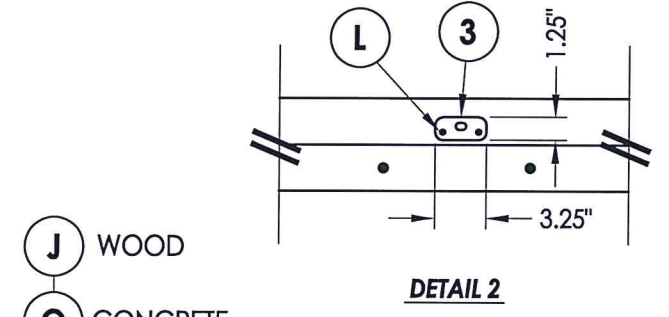
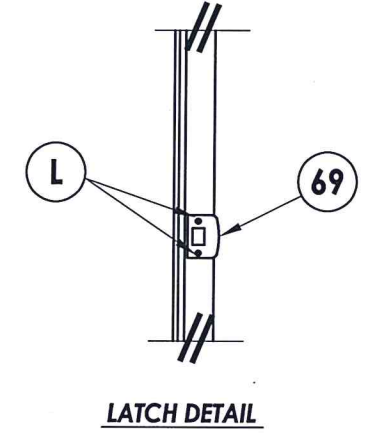
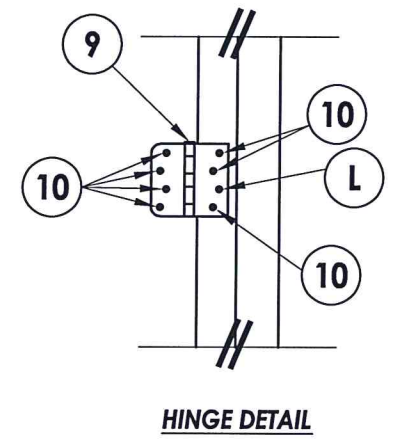
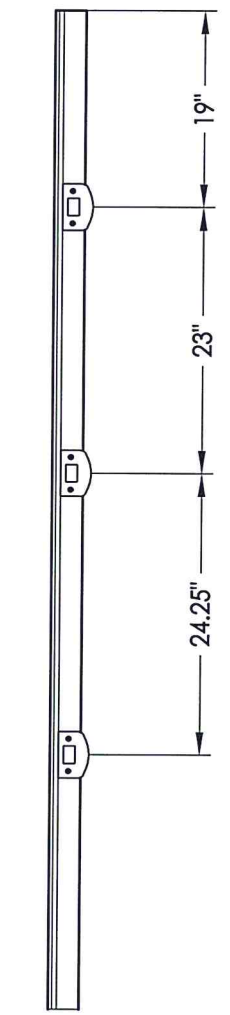
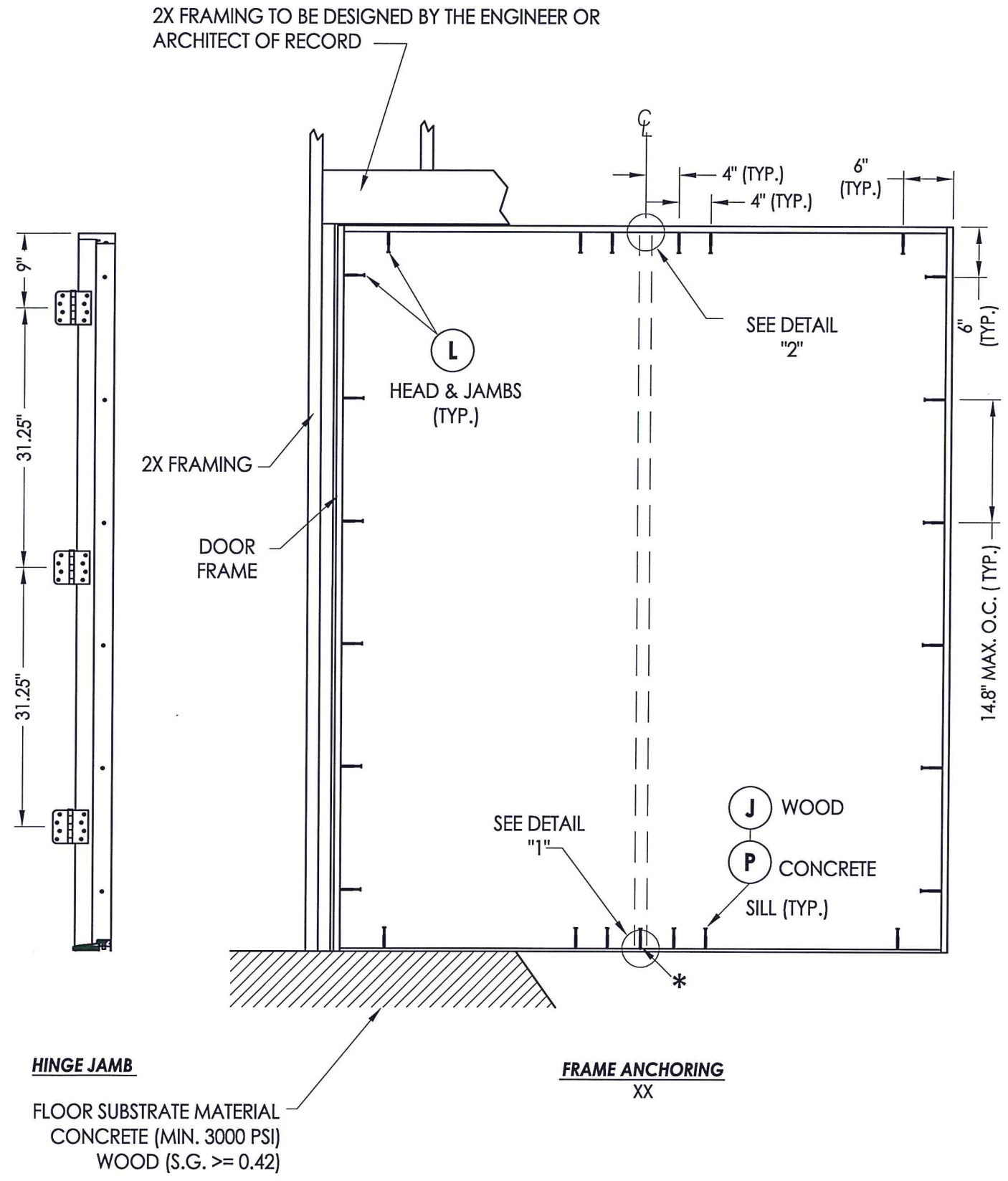


**3** VERTICAL CROSS SECTION  
**7** Outswing configuration



**4** VERTICAL CROSS SECTION  
**7** Outswing configuration

PRODUCT:		PLASTPRO FIBERGLASS DOOR	
PART OR ASSEMBLY:		VERTICAL CROSS SECTIONS	
NO.	DATE	BY	REVISIONS
1	5/12/20	LFS	UPDATE TO 2018 IBC/IRC CODE AND REVISE IMPACT LITE FRAME
DATE: 04/13/10		SCALE: N.T.S.	
DWG. BY: JK		CHK. BY: LFS	
DRAWING NO.: TX-4071		SHEET 7 OF 12	

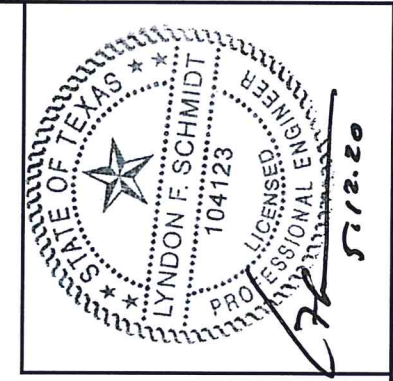


**HINGE JAMB**

FLOOR SUBSTRATE MATERIAL  
CONCRETE (MIN. 3000 PSI)  
WOOD (S.G. >= 0.42)

**FRAME ANCHORING**  
XX

\* ADDITIONAL ANCHOR REQ'D  
FOR D.P. > 40 PSF  
(WOOD SUBSTRATE ONLY)



Documents Prepared By: Lyndon F. Schmidt, P.E.  
TEXAS P.E. #104123

**RW** BUILDING CONSULTANTS, INC.  
P.O. Box 230 Valrico FL, 33595  
Phone No.: 813.659.9197

TEXAS BOARD OF PROFESSIONAL ENGINEERS  
CERTIFICATE OF REGISTRATION # F-11852

PRODUCT: PLASTPRO FIBERGLASS DOOR

PART OR ASSEMBLY: FRAME ANCHORING

NO.	DATE	REVISIONS
1	5/12/20	UPDATE TO 2018 IBC/IRC CODE AND REVISE IMPACT LITE FRAME

DATE: 04/13/10

SCALE: N.T.S.

DWG. BY: JK

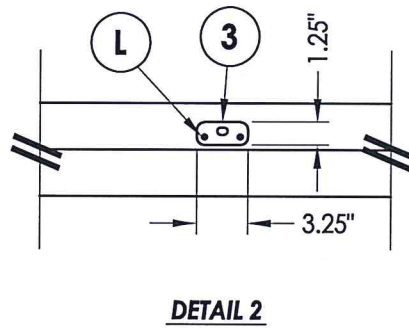
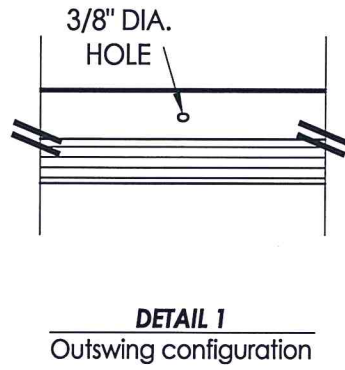
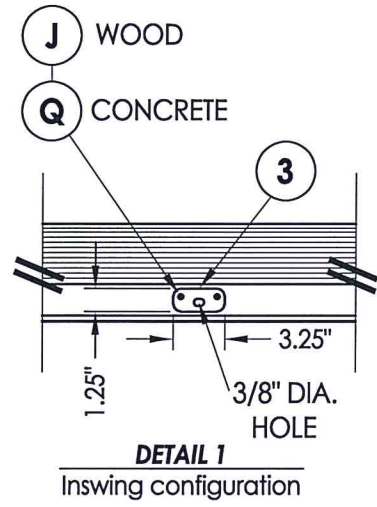
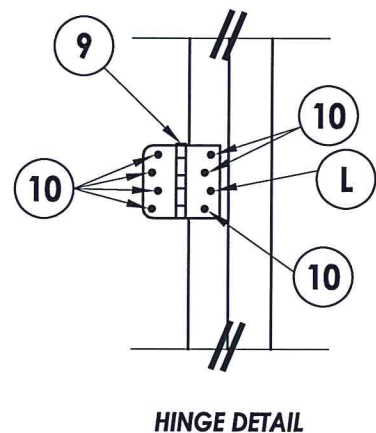
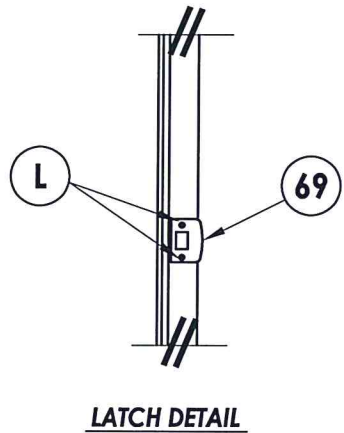
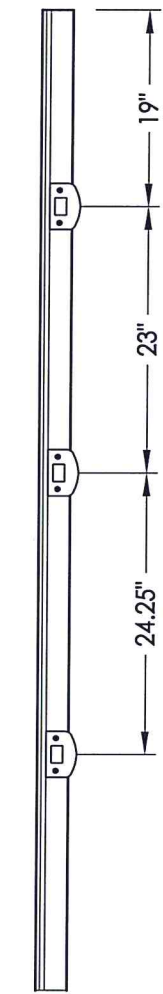
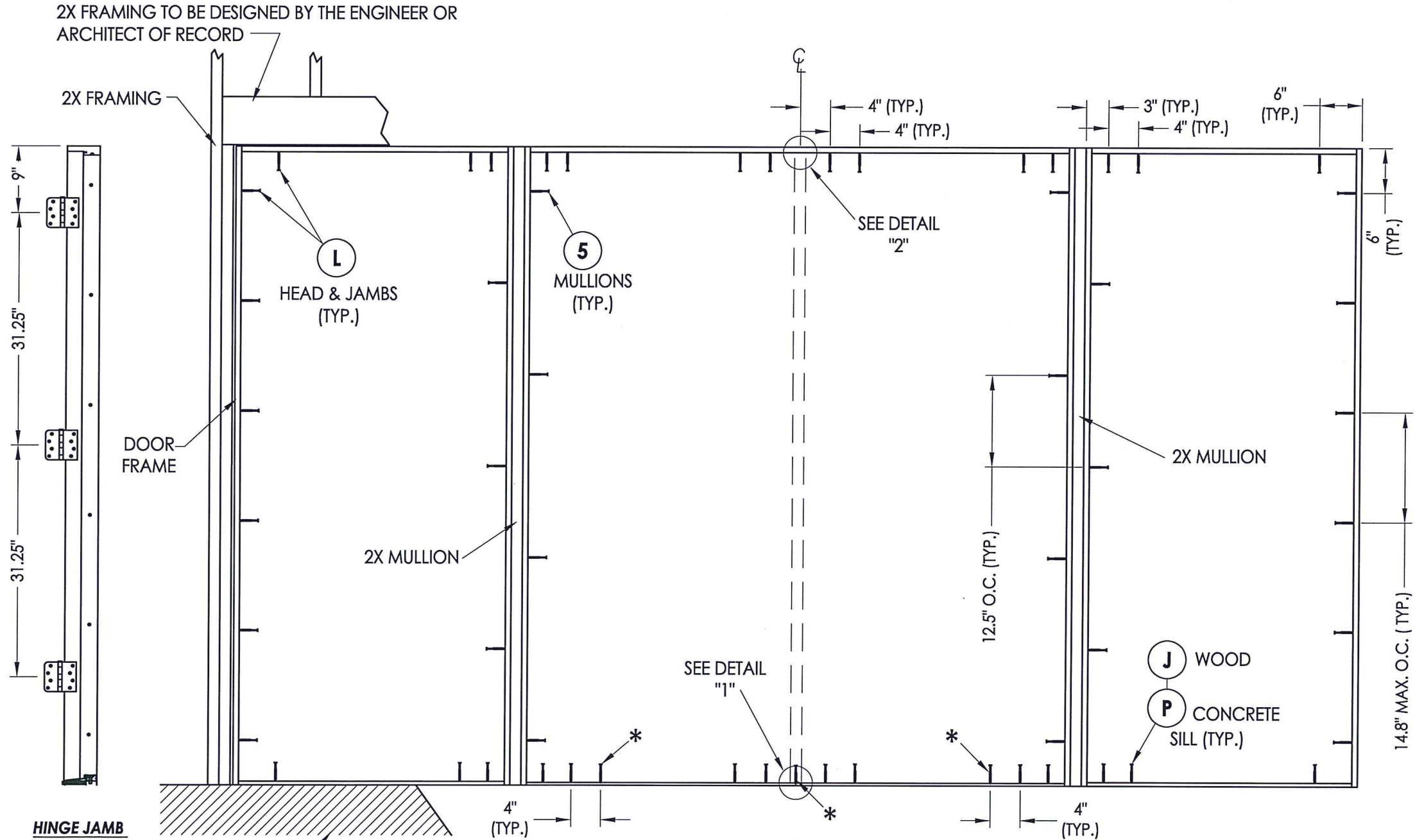
CHK. BY: LFS

DRAWING NO.: TX-4071

SHEET 8 OF 12



R:\Clients\Plastpro, Inc PERMANENT\B - TD\Hinged Doors - Fiberglass\DR - 454 Opaque Fiberglass (Impact)\C - Drawings\TX-4070-71.dwg, 4-9

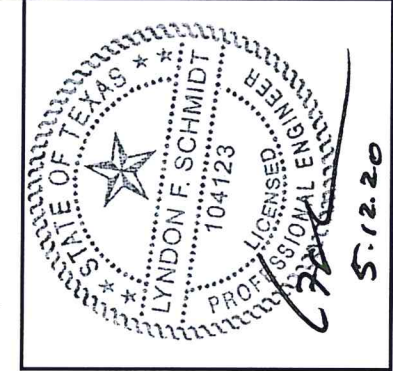


FRAME ANCHORING  
OXO

ASTRAGAL

LATCH DETAIL

HINGE DETAIL



Documents Prepared By: Lyndon F. Schmidt, P.E.  
TEXAS P.E. #104123

**RW** BUILDING CONSULTANTS, INC.  
P.O. Box 230 Valrico FL 33595  
Phone No.: 813.659.9197

TEXAS BOARD OF PROFESSIONAL ENGINEERS  
CERTIFICATE OF REGISTRATION # F-11852

PRODUCT: PLASTPRO FIBERGLASS DOOR

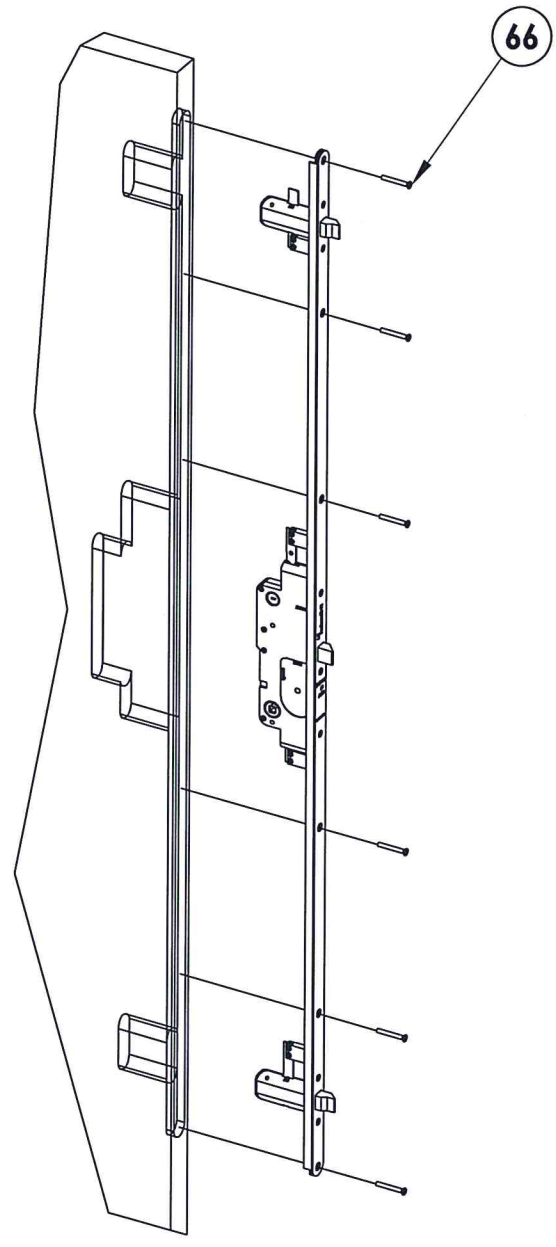
PART OR ASSEMBLY: FRAME ANCHORING

NO.	DATE	REVISIONS
1	5/12/20	UPDATE TO 2018 IBC/IRC CODE AND REVISE IMPACT LITE FRAME

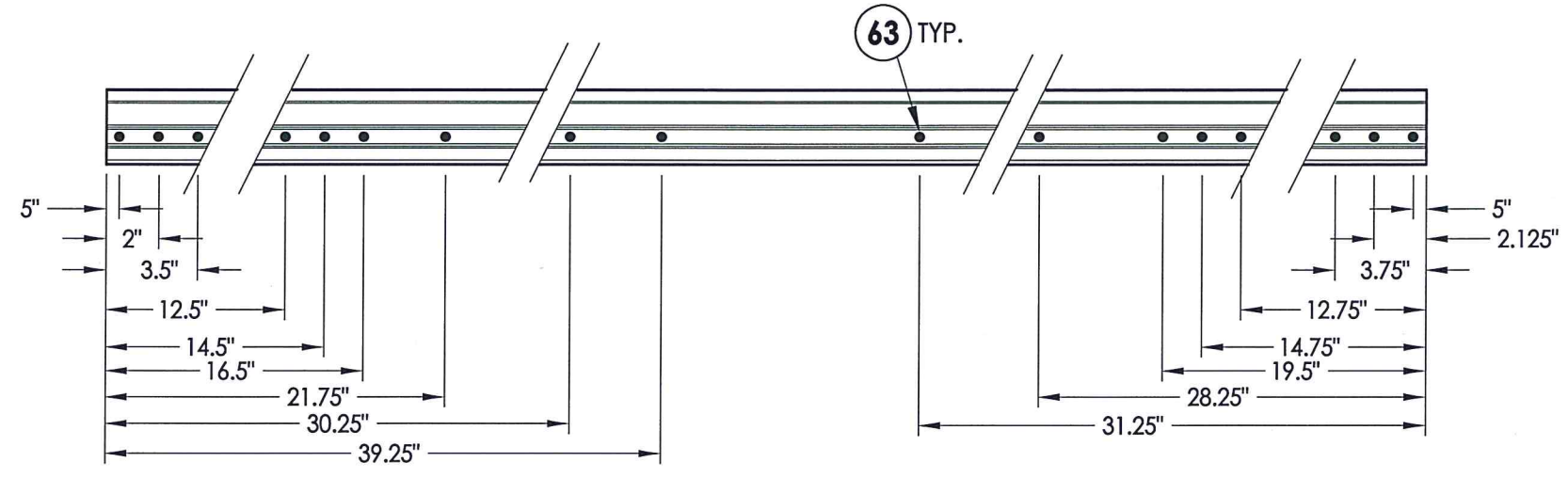
DATE: 04/13/10  
SCALE: N.T.S.  
DWG. BY: JK  
CHK. BY: LFS  
DRAWING NO.: TX-4071  
SHEET 9 OF 12

\* ADDITIONAL ANCHOR REQ'D FOR D.P. > 40 PSF (WOOD SUBSTRATE ONLY)

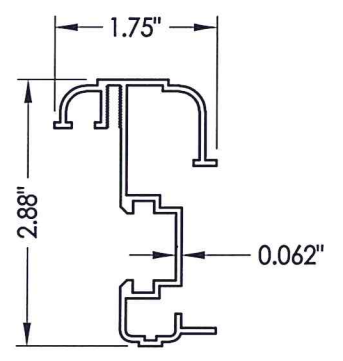
© 2010 R.W. BUILDING CONSULTANTS INC.



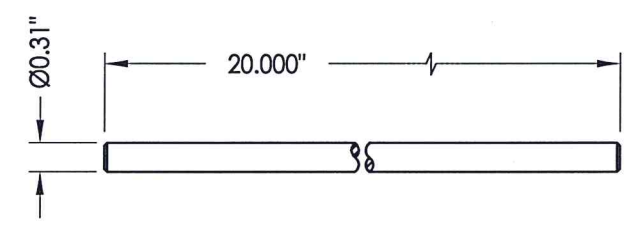
**65 MULTI-POINT LOCK**  
Trilennium by Endura



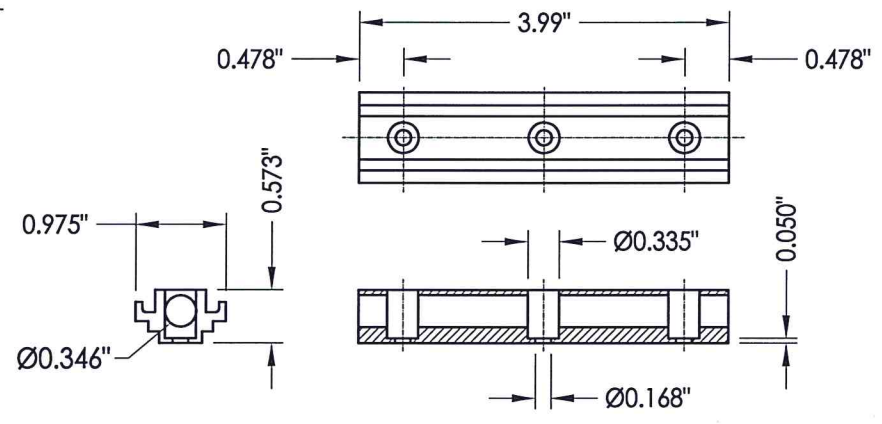
**ASTRAGAL SCREW LOCATIONS**



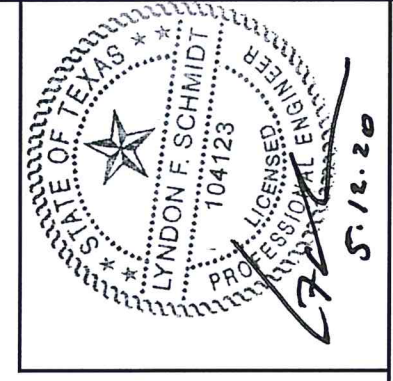
**64 ASTRAGAL**  
By DLP



**62 SLIDE BOLT ROD**  
Typ. top & bottom of astragal  
top through 2.0"  
bottom through 2.0"



**61 CONCEALED STIFFENER**



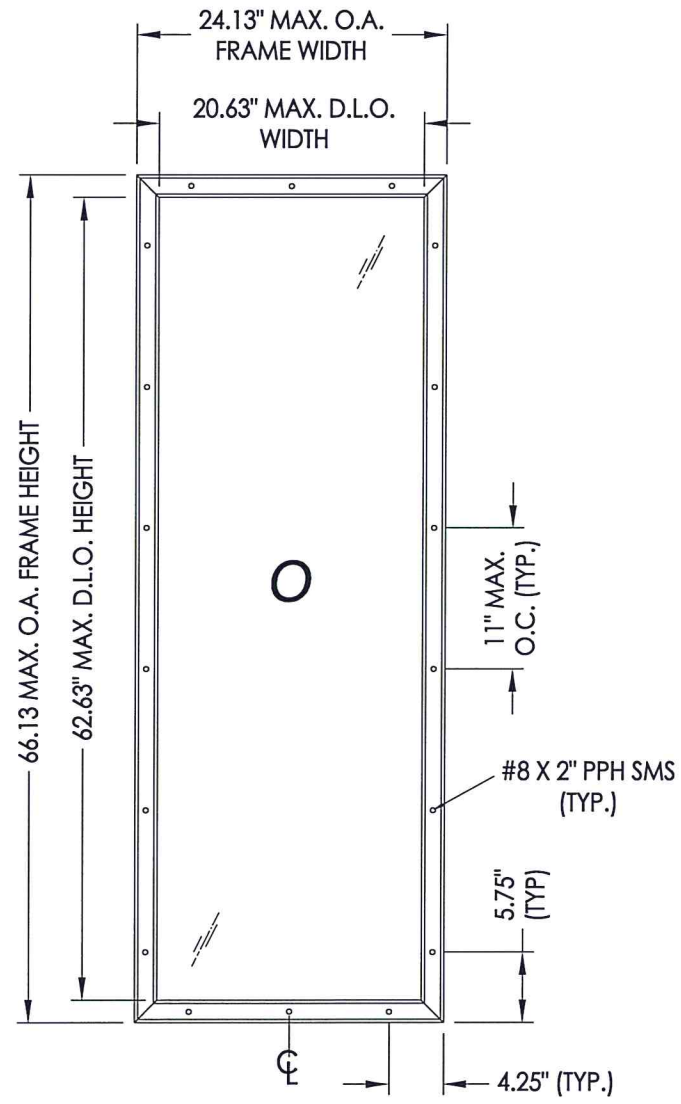
Documents Prepared By: Lyndon F. Schmidt, P.E.  
TEXAS P.E. #104123

**RW** BUILDING CONSULTANTS, INC.  
P.O. Box 230 Valrico FL, 33595  
Phone No.: 813.659.9197  
TEXAS BOARD OF PROFESSIONAL ENGINEERS  
CERTIFICATE OF REGISTRATION # F-11852

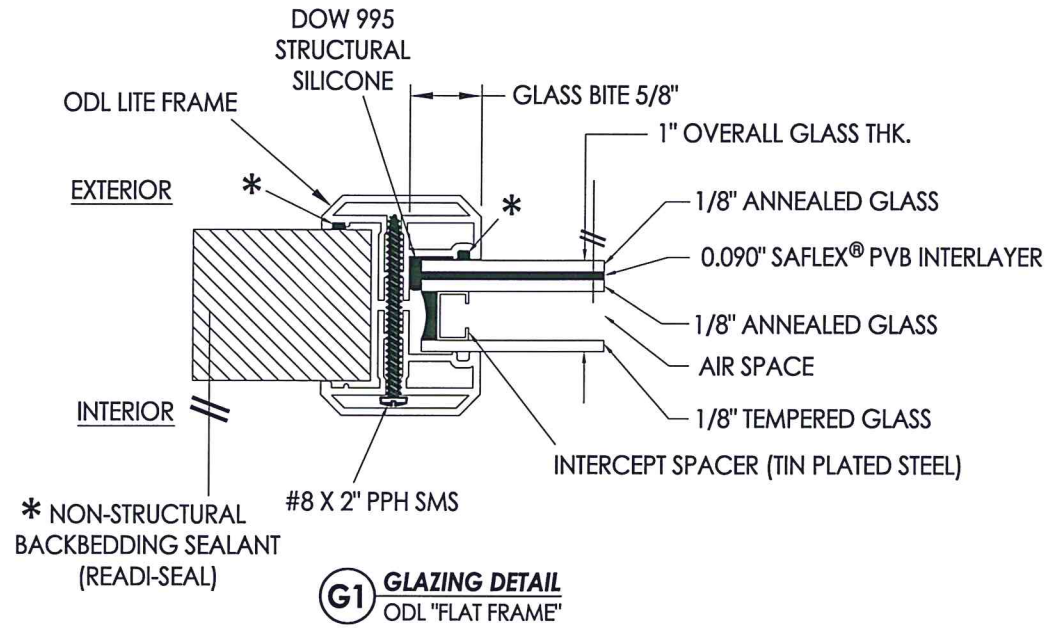
PRODUCT: PLASTPRO FIBERGLASS DOOR  
PART OR ASSEMBLY: ASTRAGAL & MULTI-POINT LOCK DETAILS

NO.	DATE	REVISIONS
1	5/12/20	UPDATE TO 2018 IBC/IRC CODE AND REVISE IMPACT LITE FRAME
		LFS
		BY

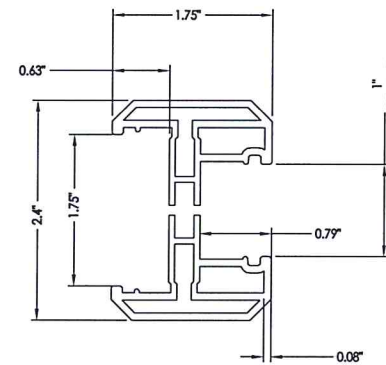
DATE: 04/13/10  
SCALE: N.T.S.  
DWG. BY: JK  
CHK. BY: LFS  
DRAWING NO.: TX-4071  
SHEET 10 OF 12



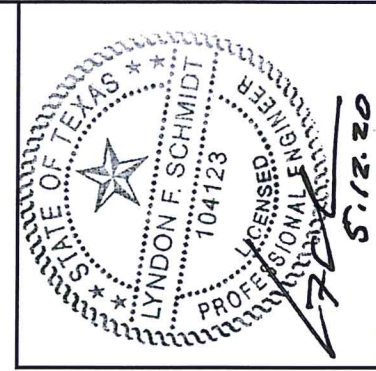
ODL LITE FRAME DETAIL  
"FLAT FRAME" PROFILE



**G1** GLAZING DETAIL  
ODL "FLAT FRAME"



ODL LITE FRAME  
"FLAT FRAME"  
(6063-T5 ALUM)



Documents Prepared By: Lyndon F. Schmidt, P.E.  
TEXAS P.E. #104123

**RW** BUILDING CONSULTANTS, INC.  
P.O. Box 230 Valrico FL 33595  
Phone No.: 813.659.9197  
TEXAS BOARD OF PROFESSIONAL ENGINEERS  
CERTIFICATE OF REGISTRATION # F-11852

PRODUCT: PLASTPRO FIBERGLASS DOOR  
PART OR ASSEMBLY: LITE FRAME & GLAZING DETAILS

NO.	DATE	REVISIONS
1	5/12/20	UPDATE TO 2018 IBC/IRC CODE AND REVISE IMPACT LITE FRAME

DATE: 04/13/10  
SCALE: N.T.S.  
DWG. BY: JK  
CHK. BY: LFS  
DRAWING NO.: TX-4071  
SHEET 11 OF 12

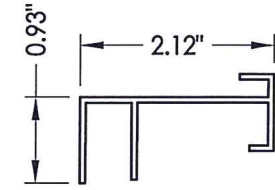
R:\Clients\Plastpro, Inc PERMANENT\B - TD\Hinged Doors - Fiberglass\DR - 454 Opaque Fiberglass (Impact)\C - Drawings\TX-4070-71.dwg, 4-12

BILL OF MATERIALS		
ITEM	DESCRIPTION	MATERIAL
A	2X HEADER FRAMING SG >= 0.42	WOOD
B	2X FRAMING SG >= 0.42	WOOD
C	1/4" MAX. SHIM SPACE	-
J	#10 X 3" PFH WOOD SCREW	STEEL
K	2X REINFORCEMENT (CLEAR PINE SG >= 0.42)	WOOD
L	#10 X 2-1/2" PFH WOOD SCREW (1.15" MIN. EMBEDMENT)	STEEL
M	#8 X 2-1/2" PFH WOOD SCREW	STEEL
P	1/4" PFH ELCO OR ITW CONCRETE SCREW (1-3/4" MIN. EMB.)	STEEL
Q	3/16" PFH ITW CONCRETE SCREW (1-3/4" MIN. EMB.)	STEEL
3	ASTRAGAL STRIKE PLATE	STEEL
5	#10 X 3" PFH SCREW	STEEL
6	SEALANT	SILICONE
7	WEATHERSTRIP BY Q-LON	FOAM
9	4" HINGE	STEEL
10	#9 X 3/4" PFH WOOD SCREW	STEEL
20	JAMB FINGER - JOINT - PINE (SG >= 0.42)	WOOD
21	POLY FIBER JAMB	POLY FIBER
22	#7 X 2" PFH DRYWALL SCREW	STEEL
29	SIDELITE SPACER	PVC
30	DOOR SWEEP	ALUM.
35	TRIM	WOOD
40	DOOR PANEL - SEE DOOR PANEL DETAIL SHEET FOR CONSTRUCTION DETAILS	-
50	SIDELITE PANEL - SEE SIDELITE PANEL DETAIL SHEET FOR CONSTRUCTION DETAILS	-
61	CONCEALED STIFFENER 6063-T6 BY PLASTPRO	ALUMINUM
62	SLIDE BOLT ROD	STEEL
63	#8 X 2" PPH SMS	STEEL
64	ASTRAGAL 6063-T5 ALUMINUM BY DLP	ALUMINUM
65	MULTI-POINT LOCK ASSEMBLY TRILENNIUM BY W & F	-
66	#10 X 1-1/2" PFH SCREW	STEEL
67	BACKING PLATE	STEEL
69	MULTI-POINT STRIKE PLATE	STEEL
70	INSWING THRESHOLD BY DLP	ALUM. / WOOD
71	ADA THRESHOLD BY DLP	ALUM.
72	OUTSWING THRESHOLD BY DLP	ALUM. / WOOD
73	SIDELITE THRESHOLD BY DLP	ALUM. / WOOD

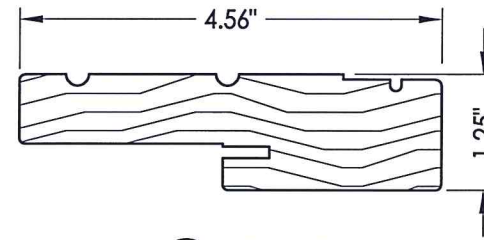
**CONCRETE ANCHOR NOTES:**

1. Substitution of equal concrete anchors from a different supplier may have different edge distance and center distance requirements.
2. Concrete anchor locations at the corners may be adjusted to maintain the min. edge distance to mortar joints. If concrete anchor locations noted as "MAX. ON CENTER" must be adjusted to maintain the min. edge distance to mortar joints, additional concrete anchors may be required to ensure the "MAX. ON CENTER" dimensions are not exceeded.
3. Concrete anchor table:

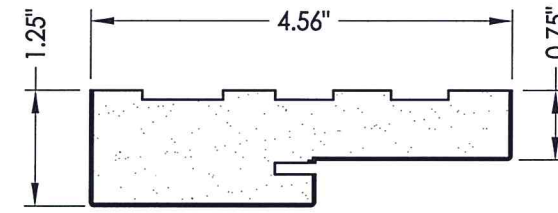
ANCHOR TYPE	ANCHOR SIZE	MIN. EMBEDMENT	MIN. CLEARANCE TO MASONRY EDGE	MIN. CLEARANCE TO ADJACENT ANCHOR
ITW	3/16"	1-3/4"	2-5/8"	2-1/4"
	1/4"	1-3/4"	2-1/2"	3"
ELCO	1/4"	1-3/4"	1"	4"



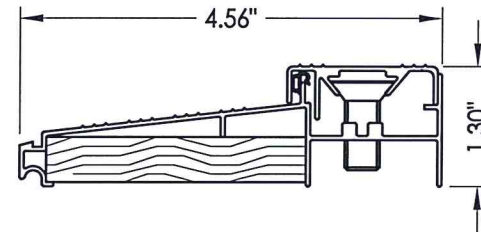
29 SIDELITE SPACER



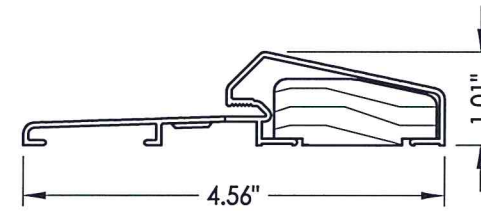
20 HEAD & SIDE Jamb



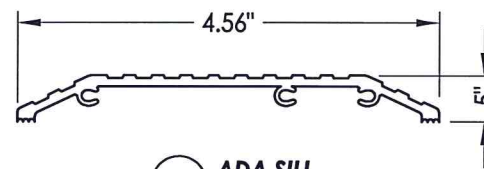
21 HEAD & SIDE Poly fiber jamb



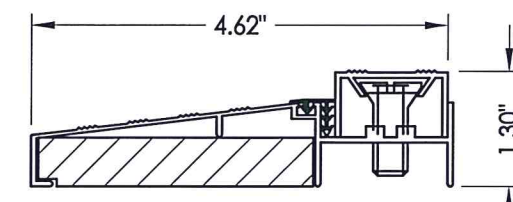
70 INSWING THRESHOLD



72 OUTSWING THRESHOLD



71 ADA SILL



73 SIDELITE THRESHOLD



Documents Prepared By: Lyndon F. Schmidt, P.E.  
TEXAS P.E. #104123

**RW** BUILDING CONSULTANTS, INC.  
P.O. Box 230 Vairico FL 33595  
Phone No.: 813.659.9197  
TEXAS BOARD OF PROFESSIONAL ENGINEERS  
CERTIFICATE OF REGISTRATION # F-11852

PRODUCT:	PLASTPRO FIBERGLASS DOOR
PART OR ASSEMBLY:	BILL OF MATERIALS & COMPONENTS
DATE:	04/13/10
SCALE:	N.T.S.
DWG. BY:	JK
CHK. BY:	LFS
DRAWING NO.:	TX-4071
SHEET	12 OF 12