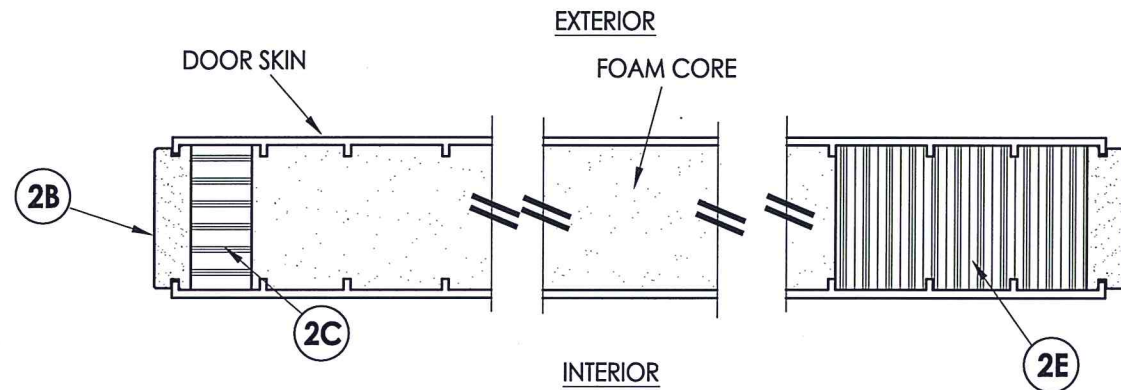


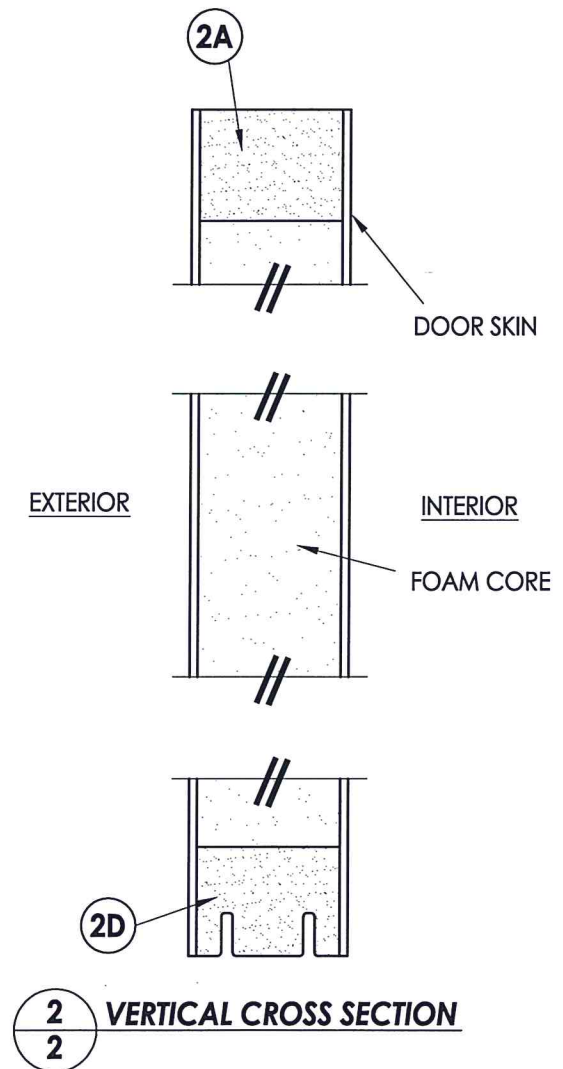
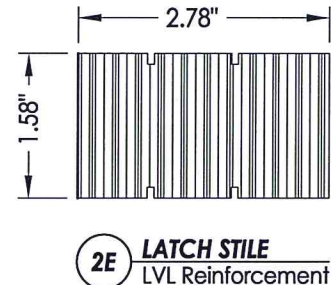
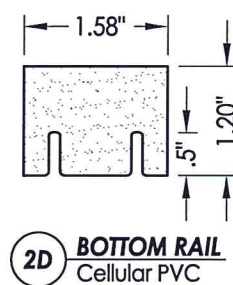
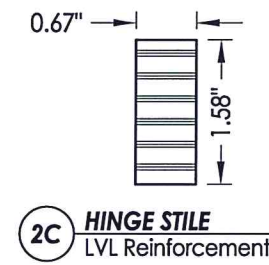
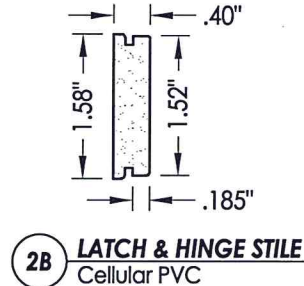
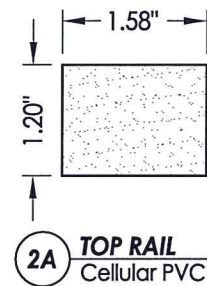
**40 DOOR PANEL**

FIBERGLASS DOOR SKIN: MIN. 0.075\"/>

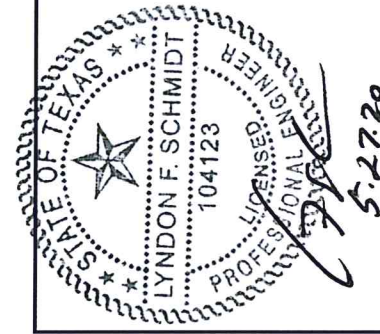
**NOTE 1:**  
 1. #8 x 2\"/>



**1 HORIZONTAL CROSS SECTION**



**2 VERTICAL CROSS SECTION**

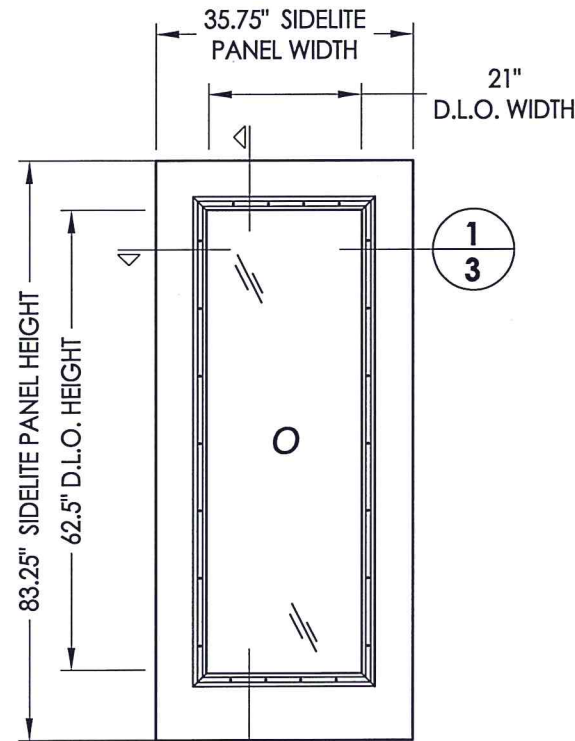


Documents Prepared By: Lyndon F. Schmidt, P.E.  
 TEXAS P.E. #104123

**RW** BUILDING CONSULTANTS, INC.  
 P.O. Box 230 Valrico FL 33595  
 Phone No.: 813.659.9197  
 TEXAS BOARD OF PROFESSIONAL ENGINEERS  
 CERTIFICATE OF REGISTRATION # F-11852

PRODUCT: PLASTPRO FIBERGLASS DOOR	
PART OR ASSEMBLY: DOOR PANEL DETAILS	
NO.	DATE
1	5/21/20
UPDATE TO 2018 IBC/IRC CODE	
LFS	BY
REVISIONS	
DATE: 3/25/10	
SCALE: N.T.S.	
DWG. BY: JK	
CHK. BY: LFS	
DRAWING NO.: TX-4063	
SHEET 2 OF 11	

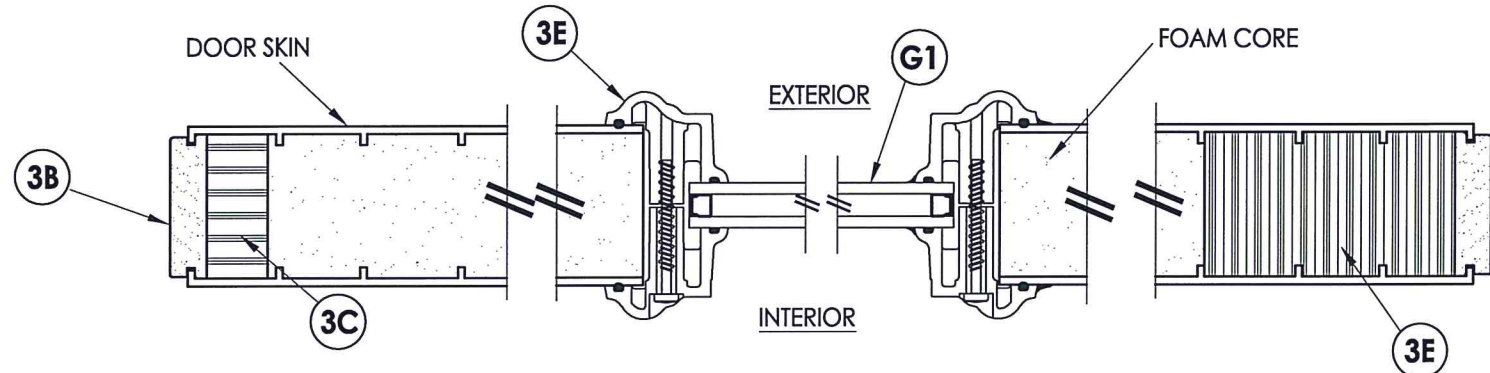
R:\Clients\Plastpro, Inc PERMANENT\B - TD\Hinged Doors - Fiberglass\DR - 442 Opaque Fiberglass (Non-Impact)\C - Drawings\TX-4062.4063.dwg, 2-3



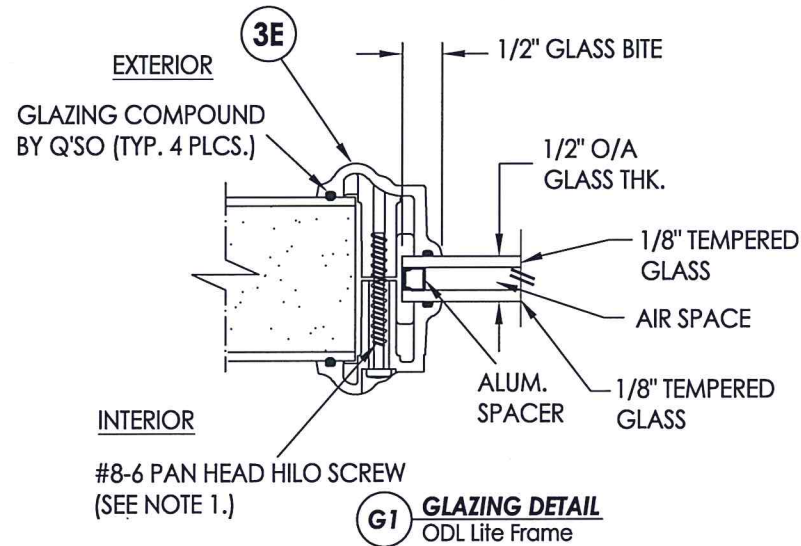
50 SIDELITE PANEL

FIBERGLASS SIDELITE SKIN: MIN. 0.075\"/>

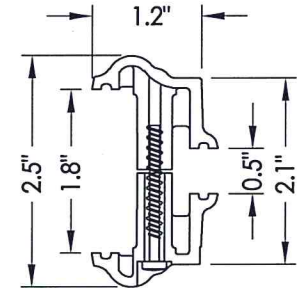
NOTE:  
 1. Spacing for lite frame screws is as follows:  
 Sides: 6.5\"/>



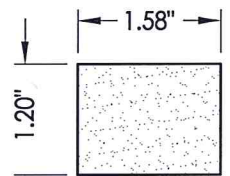
1 HORIZONTAL CROSS SECTION



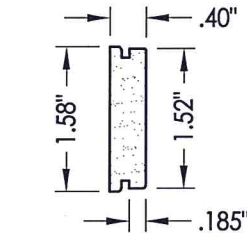
G1 GLAZING DETAIL  
ODL Lite Frame



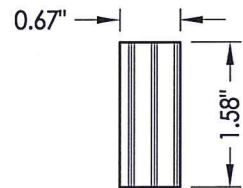
3E PLASTIC LIP LITE FRAME  
ODL



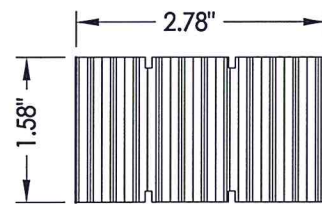
3A TOP RAIL  
Cellular PVC



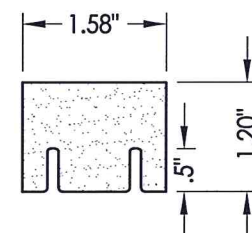
3B STILE  
Cellular PVC



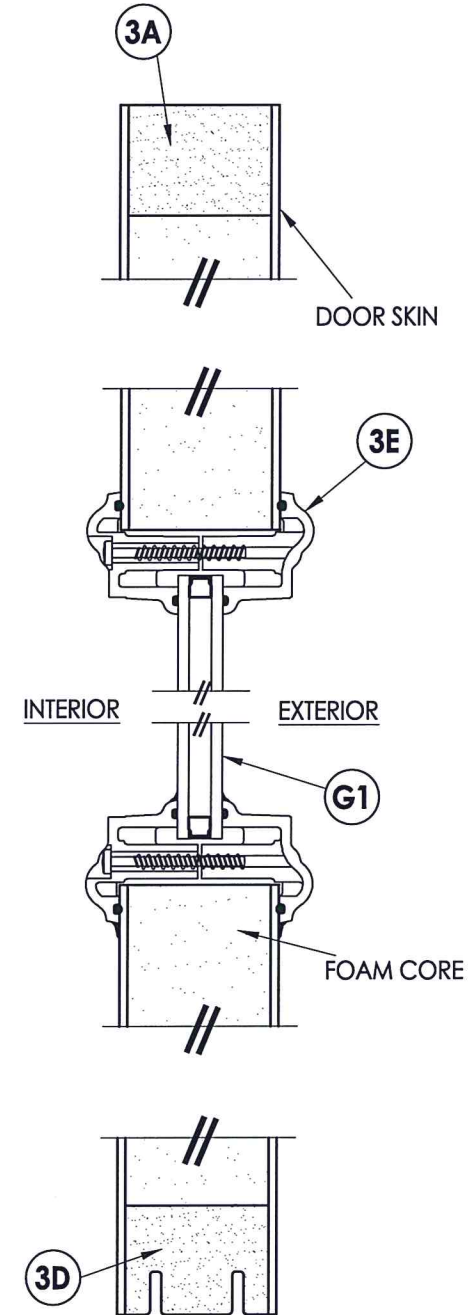
3C STILE  
LVL Reinforcement



3E STILE  
LVL Reinforcement



3D BOTTOM RAIL  
Cellular PVC



2 VERTICAL CROSS SECTION



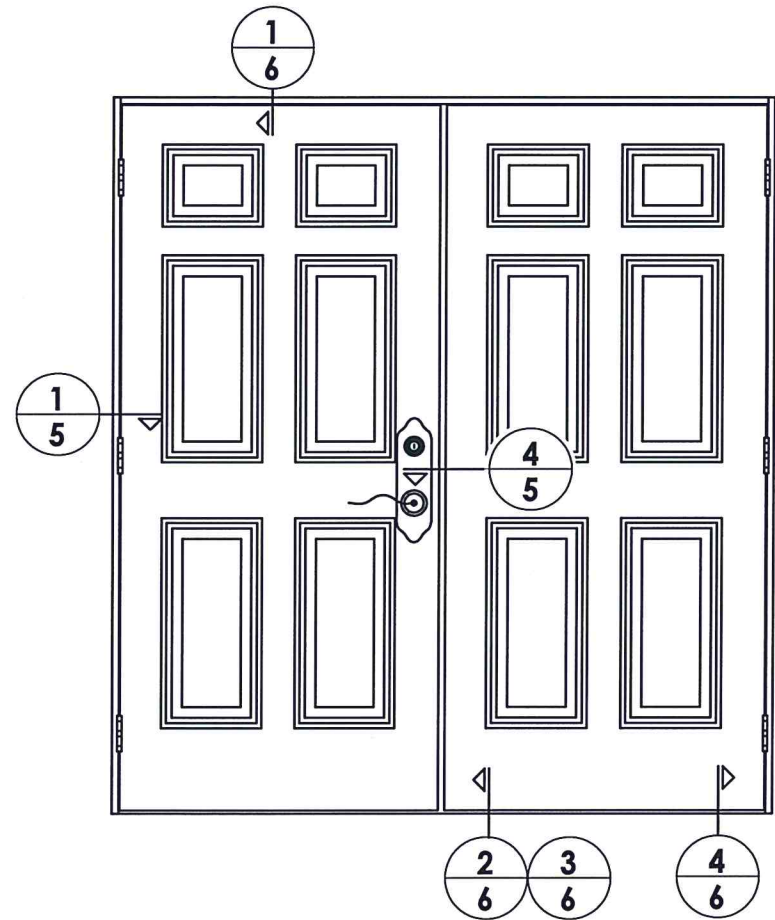
Documents Prepared By: Lyndon F. Schmidt, P.E.  
 TEXAS P.E. #104123  
 R.W. BUILDING CONSULTANTS, INC.  
 P.O. Box 230 Valrico FL, 33595  
 Phone No.: 813.659.9197  
 TEXAS BOARD OF PROFESSIONAL ENGINEERS  
 CERTIFICATE OF REGISTRATION # F-11852

PRODUCT: PLASTPRO  
 FIBERGLASS DOOR  
 PART OR ASSEMBLY: SIDELITE PANEL &  
 GLAZING DETAILS

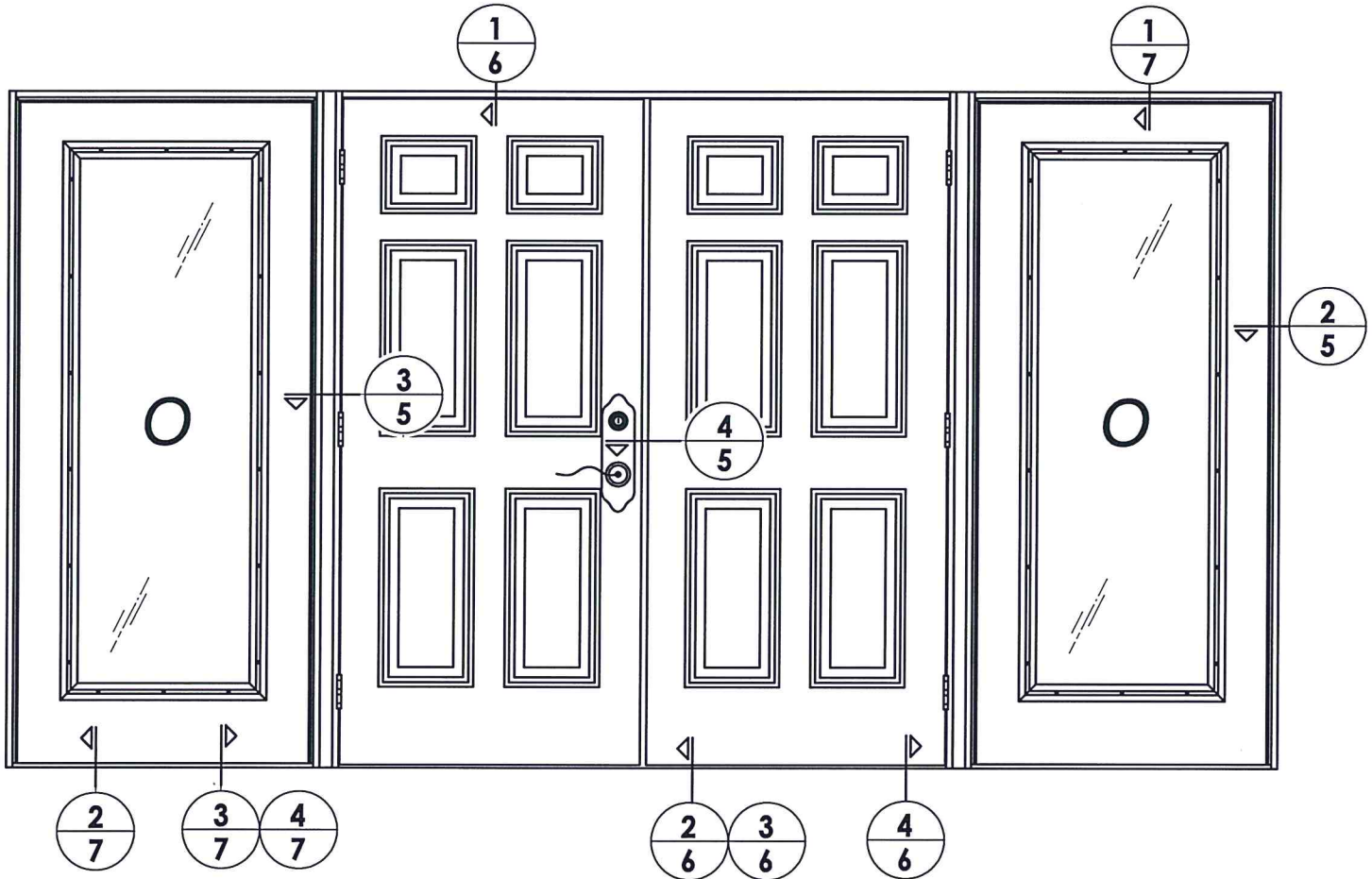
NO.	DATE	DESCRIPTION	BY
1	5/21/20	UPDATE TO 2018 IBC/IRC CODE	LFS

DATE: 3/25/10  
 SCALE: N.T.S.  
 DWG. BY: JK  
 CHK. BY: LFS  
 DRAWING NO.: TX-4063  
 SHEET 3 OF 11

© 2010 R.W. BUILDING CONSULTANTS INC.



ELEVATION (XX)



ELEVATION (OXXO)



Documents Prepared By: Lyndon F. Schmidt, P.E.  
 TEXAS P.E. #104123

**RW** BUILDING CONSULTANTS, INC.  
 P.O. Box 230 Valrico FL 33595  
 Phone No.: 813.659.9197

TEXAS BOARD OF PROFESSIONAL ENGINEERS  
 CERTIFICATE OF REGISTRATION # F-11852

PRODUCT: PLASTIPRO FIBERGLASS DOOR

PART OR ASSEMBLY: ELEVATIONS

NO.	DATE	DESCRIPTION	BY
1	5/21/20	UPDATE TO 2018 IBC/IRC CODE	LFS

DATE: 3/25/10

SCALE: N.T.S.

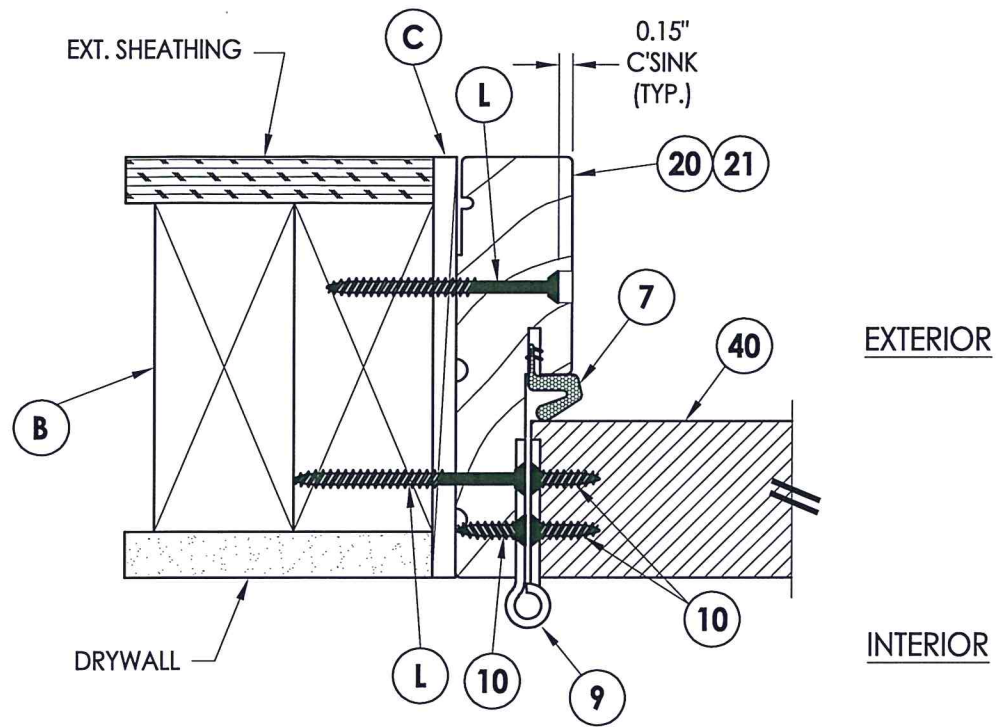
DWG. BY: JK

CHK. BY: LFS

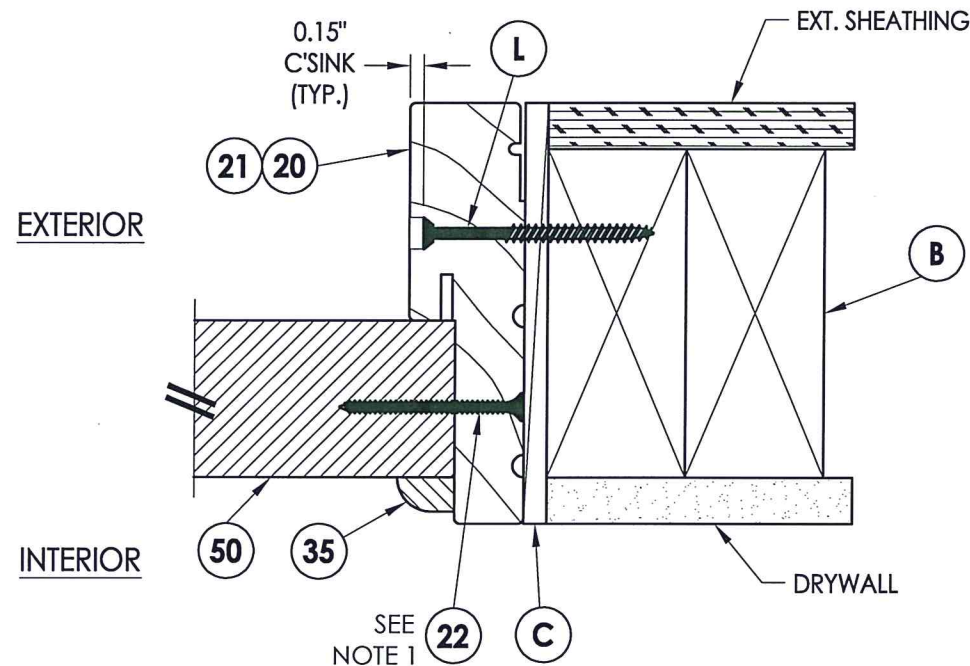
DRAWING NO.: TX-4063

SHEET 4 OF 11

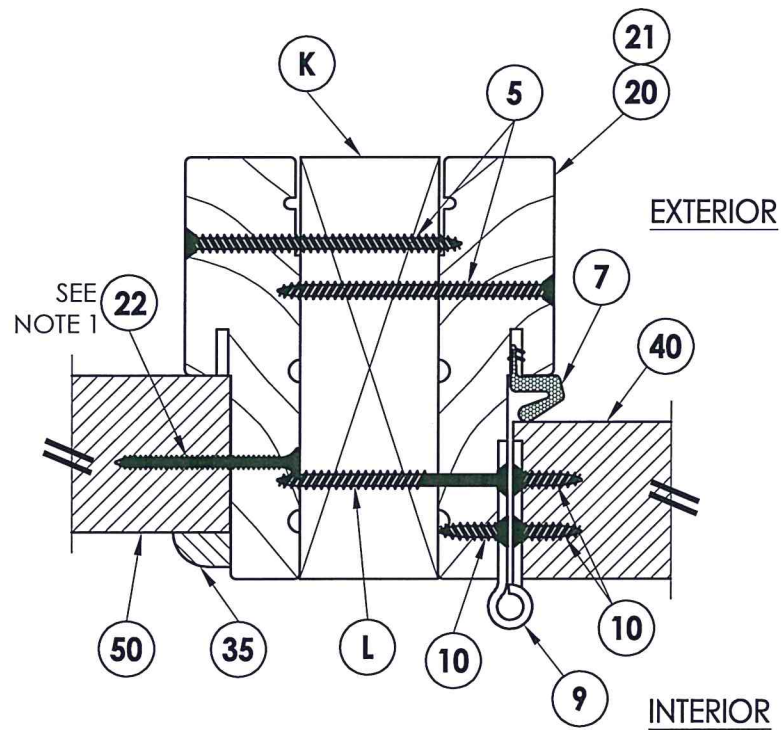
R:\Clients\Plastpro, Inc PERMANENT\B - TD\Hinged Doors - Fiberglass\DR - 442 Opaque Fiberglass (Non-Impact)\C - Drawings\TX-4062\_4063.dwg, 2-5



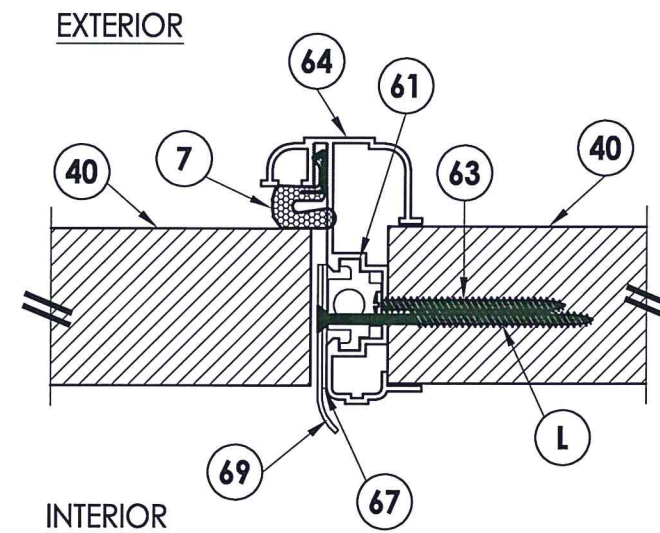
**1** HORIZONTAL CROSS SECTION  
**5** Inswing shown - outswing also approved



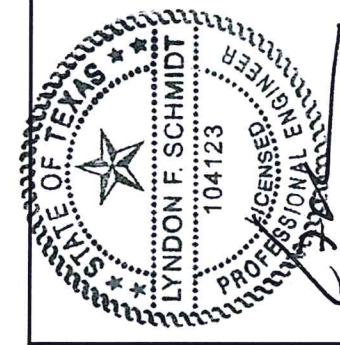
**2** HORIZONTAL CROSS SECTION  
**5** Inswing shown - outswing also approved



**3** HORIZONTAL CROSS SECTION  
**5** Inswing shown - outswing also approved



**4** HORIZONTAL CROSS SECTION  
**5** Inswing shown - outswing also approved



S. 27.20

Documents Prepared By: Lyndon F. Schmidt, P.E.  
TEXAS P.E. #104123

**RW** BUILDING CONSULTANTS, INC.  
P.O. Box 230 Vairico FL, 33595  
Phone No.: 813.659.9197  
TEXAS BOARD OF PROFESSIONAL ENGINEERS  
CERTIFICATE OF REGISTRATION # F-11852

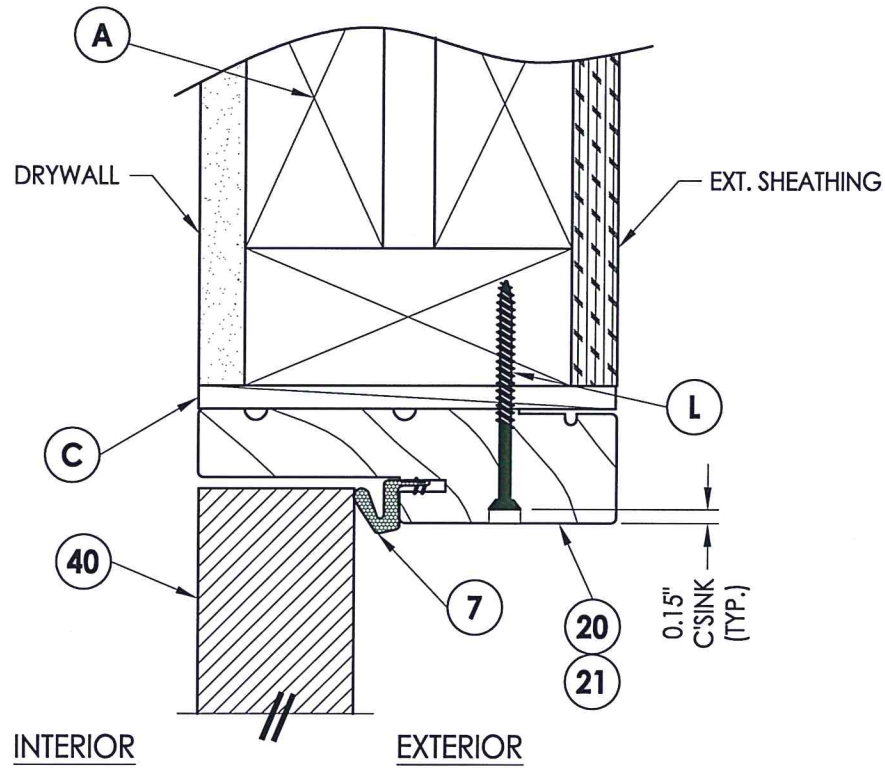
NOTE:

1. Sidelite screws (item #22) located at 3", 6", 16", 27", 38", 49", 60", 70" and 80" from bottom of panel.

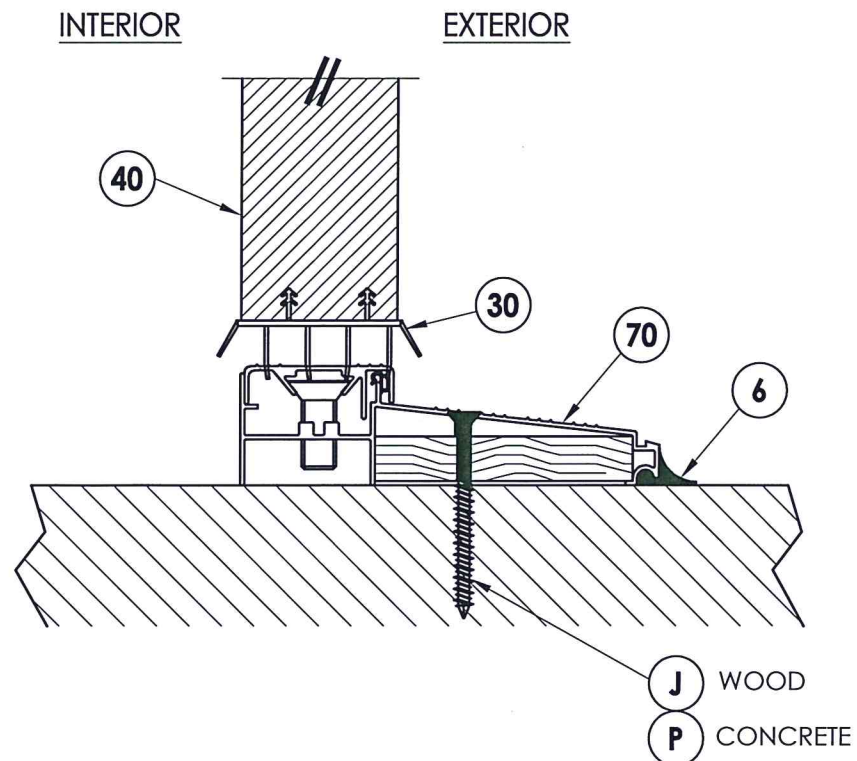
PRODUCT: PLASTPRO FIBERGLASS DOOR  
PART OR ASSEMBLY: HORIZONTAL CROSS SECTIONS

NO.	DATE	DESCRIPTION	LFS	BY
1	5/21/20	UPDATE TO 2018 IBC/IRC CODE	LFS	BY

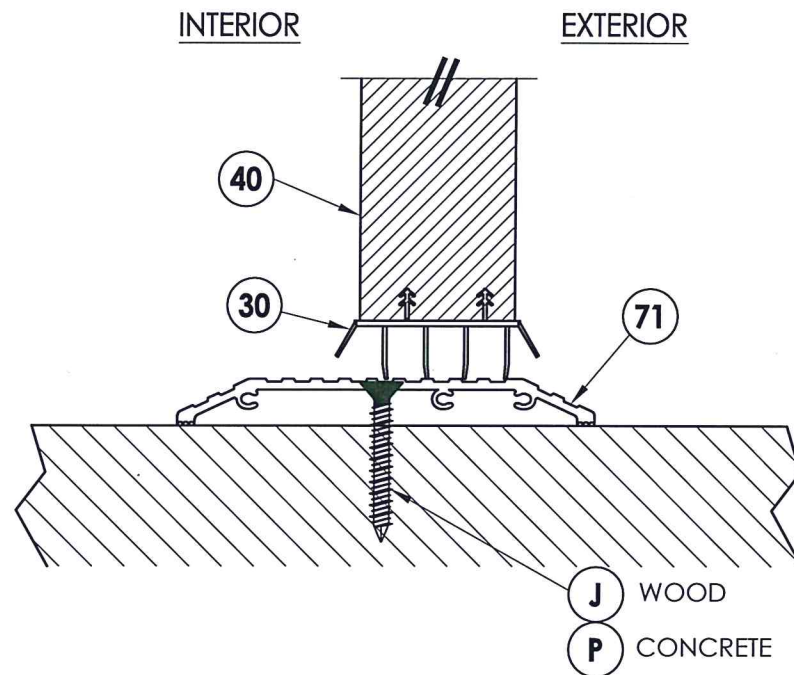
DATE: 3/25/10  
SCALE: N.T.S.  
DWG. BY: JK  
CHK. BY: LFS  
DRAWING NO.: TX-4063  
SHEET 5 OF 11



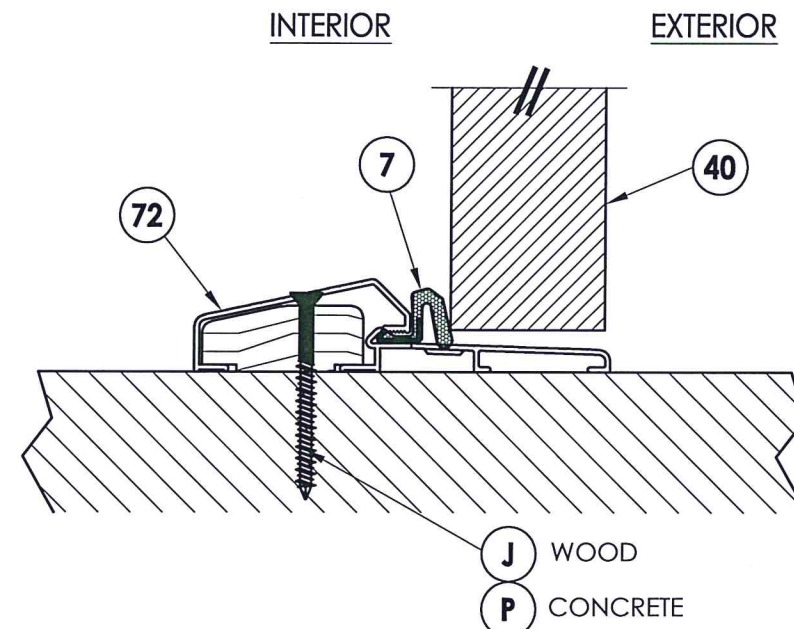
**1 VERTICAL CROSS SECTION**  
**6** Inswing shown - outswing also approved



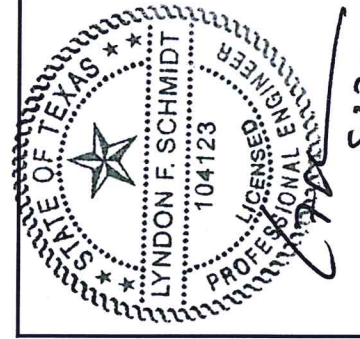
**2 VERTICAL CROSS SECTION**  
**6** Inswing configuration



**3 VERTICAL CROSS SECTION**  
**6** Shown w/ ADA threshold



**4 VERTICAL CROSS SECTION**  
**6** Outswing configuration

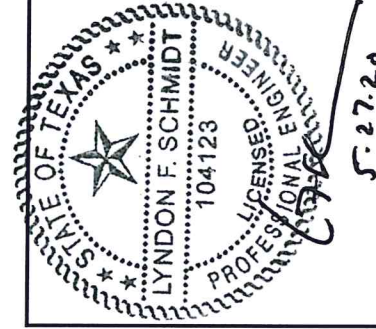


Documents Prepared By: Lyndon F. Schmidt, P.E.  
 TEXAS P.E. #104123

**RW** BUILDING CONSULTANTS, INC.  
 P.O. Box 230 Valrico FL, 33595  
 Phone No.: 813.659.9197

TEXAS BOARD OF PROFESSIONAL ENGINEERS  
 CERTIFICATE OF REGISTRATION # F-11852

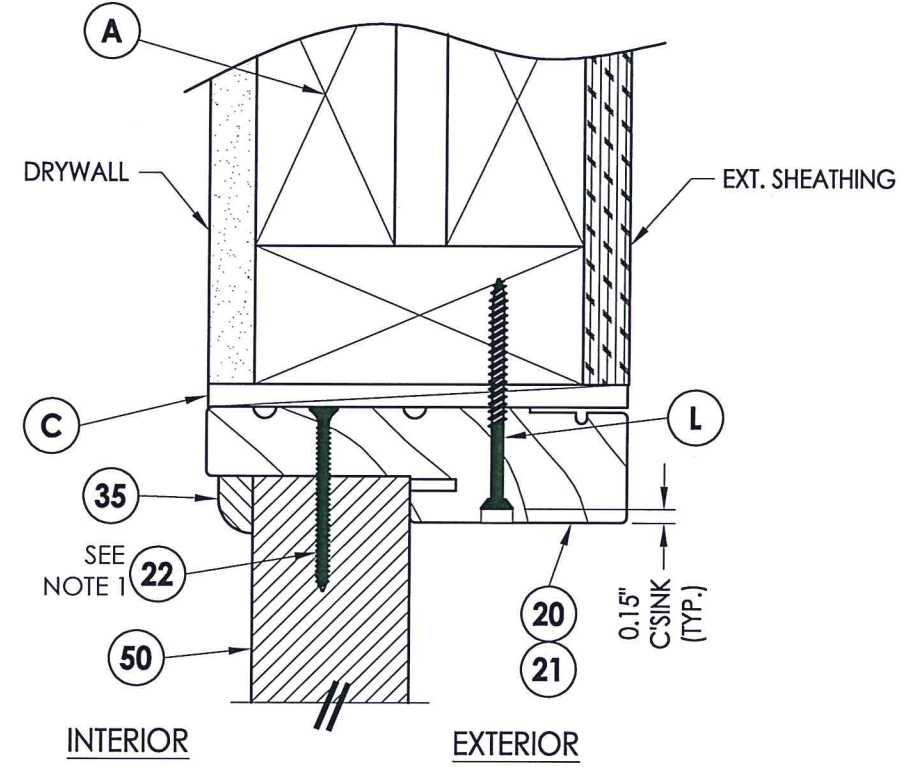
PRODUCT: PLASTPRO FIBERGLASS DOOR	
PART OR ASSEMBLY: VERTICAL CROSS SECTIONS	
NO.	DATE
1	5/21/20
UPDATE TO 2018 IBC/IRC CODE	
LFS	BY
REVISIONS	
DATE: 3/25/10	
SCALE: N.T.S.	
DWG. BY: JK	
CHK. BY: LFS	
DRAWING NO.: TX-4063	
SHEET 6 OF 11	



Documents Prepared By: Lyndon F. Schmidt, P.E.  
 TEXAS P.E. #104123

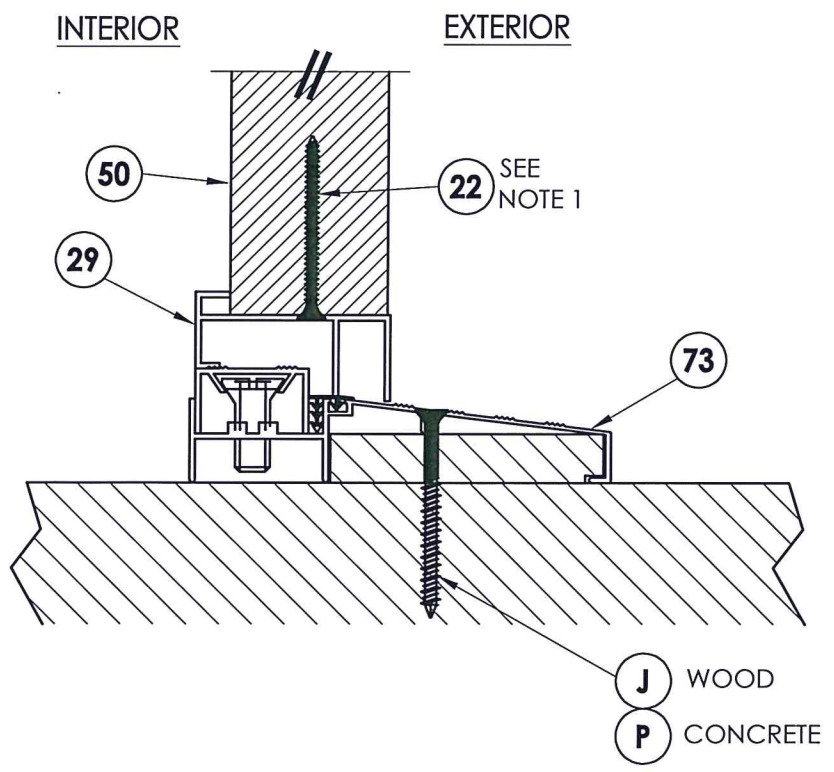
**RW** BUILDING CONSULTANTS, INC.  
 P.O. Box 230 Valrico FL 33595  
 Phone No.: 813.659.9197

TEXAS BOARD OF PROFESSIONAL ENGINEERS  
 CERTIFICATE OF REGISTRATION # F-11852

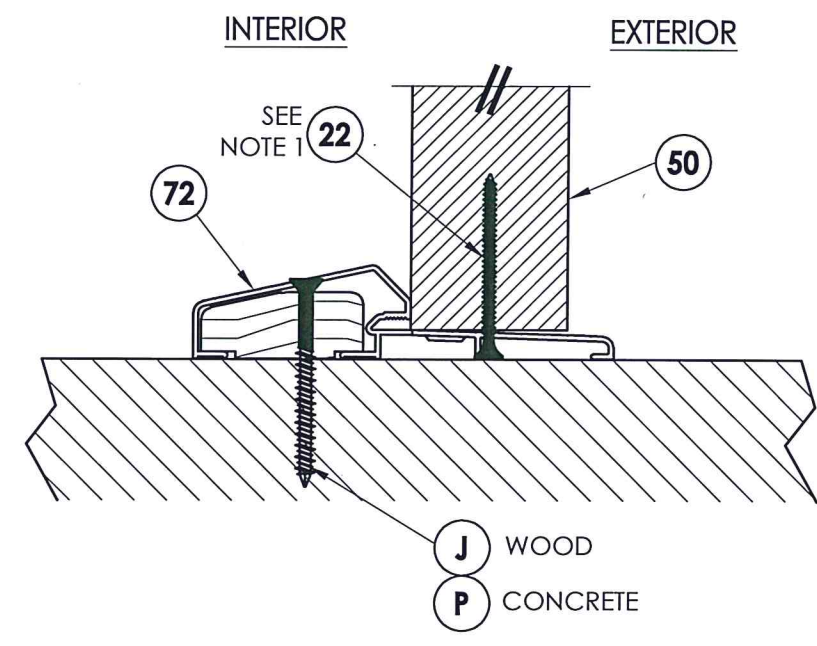


NOTE:  
 1. Screws thru head and sill jamb located 3" from each end and on center line.

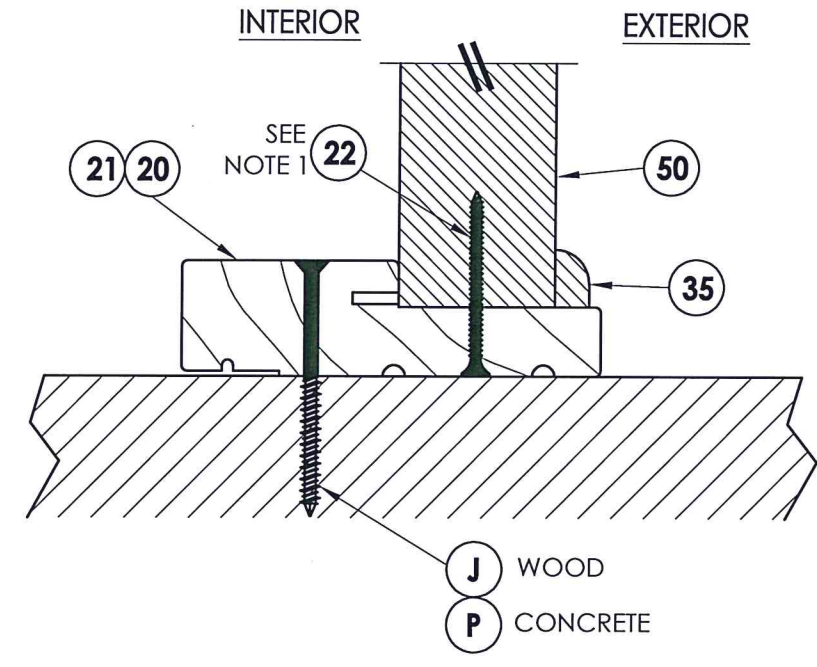
**1** VERTICAL CROSS SECTION  
**7** Inswing shown - outswing also approved



**2** VERTICAL CROSS SECTION  
**7** Inswing configuration

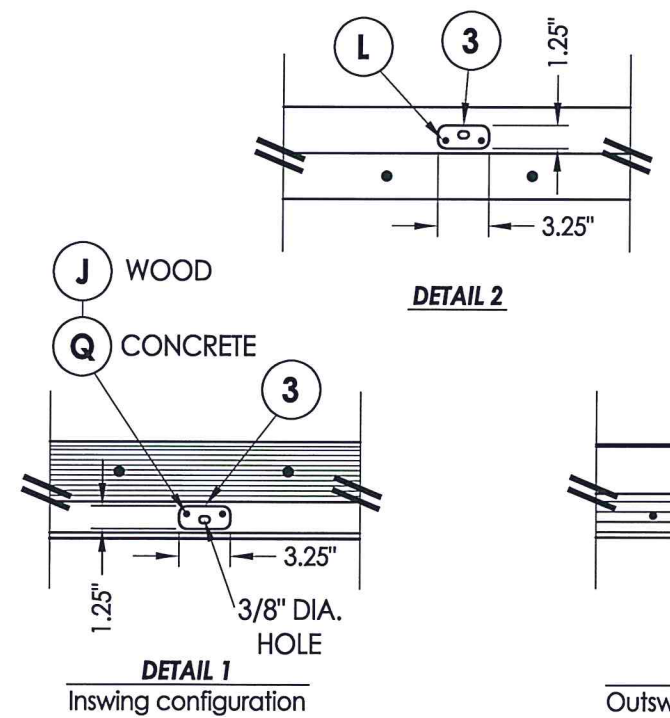
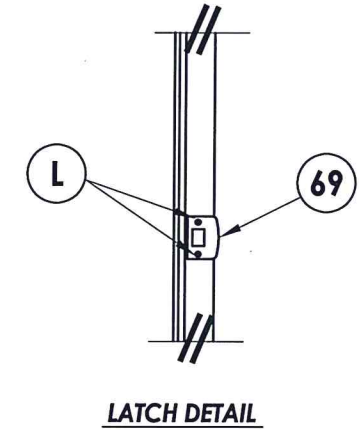
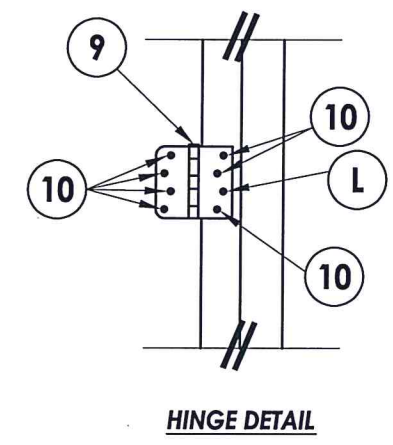
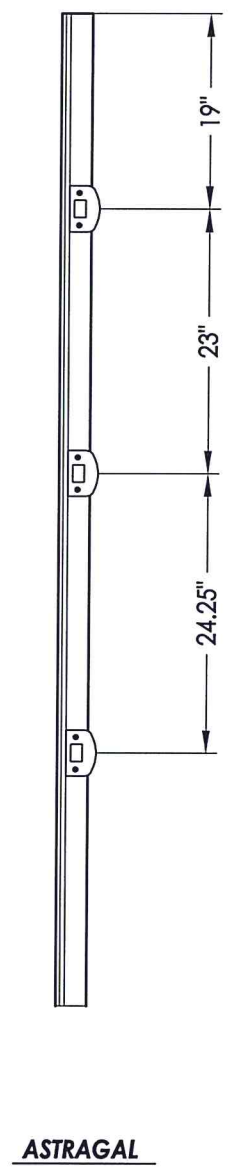
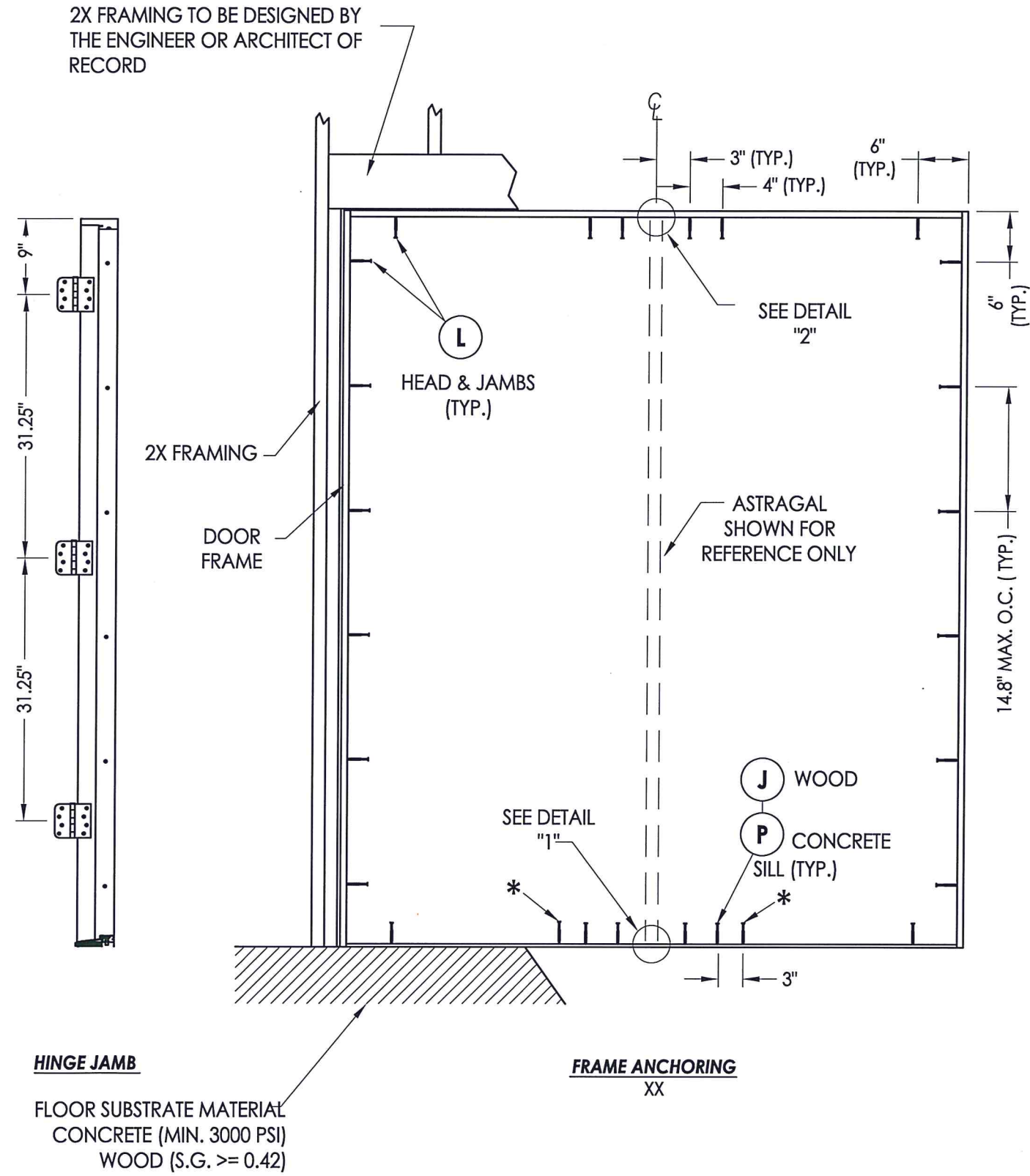


**3** VERTICAL CROSS SECTION  
**7** Outswing configuration

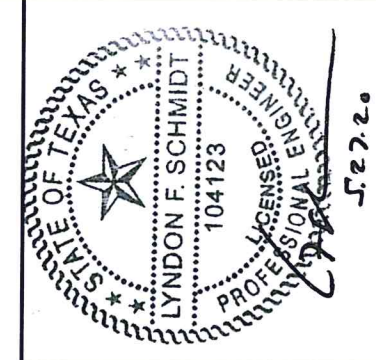


**4** VERTICAL CROSS SECTION  
**7** Outswing configuration

PRODUCT:		PLASTIPRO FIBERGLASS DOOR	
PART OR ASSEMBLY:		VERTICAL CROSS SECTIONS	
NO.	DATE	DESCRIPTION	BY
1	5/21/20	UPDATE TO 2018 IBC/IRC CODE	LFS
REVISIONS			
DATE: 3/25/10			
SCALE: N.T.S.			
DWG. BY: JK			
CHK. BY: LFS			
DRAWING NO.: TX-4063			
SHEET 7 OF 11			



\* ADDITIONAL ANCHOR REQ'D FOR D.P. > 45 PSF (WOOD SUBSTRATE ONLY)



Documents Prepared By: Lyndon F. Schmidt, P.E.  
TEXAS P.E. #104123

**RW** BUILDING CONSULTANTS, INC.  
P.O. Box 230 Valrico FL 33595  
Phone No.: 813.659.9197

TEXAS BOARD OF PROFESSIONAL ENGINEERS  
CERTIFICATE OF REGISTRATION # F-11852

PRODUCT: PLASTIPRO FIBERGLASS DOOR

PART OR ASSEMBLY: FRAME ANCHORING

NO.	DATE	REVISIONS
1	5/21/20	UPDATE TO 2018 IBC/IRC CODE
		LFS
		BY

DATE: 3/25/10

SCALE: N.T.S.

DWG. BY: JK

CHK. BY: LFS

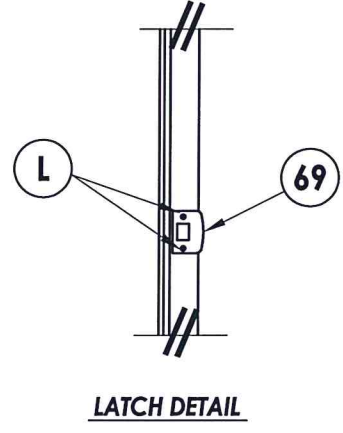
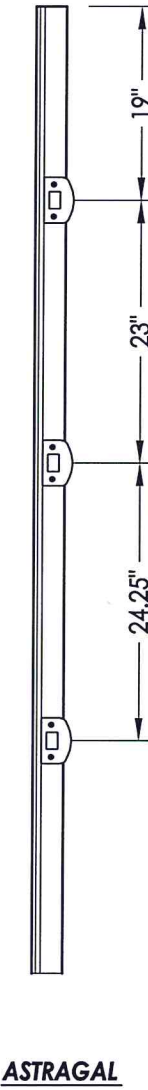
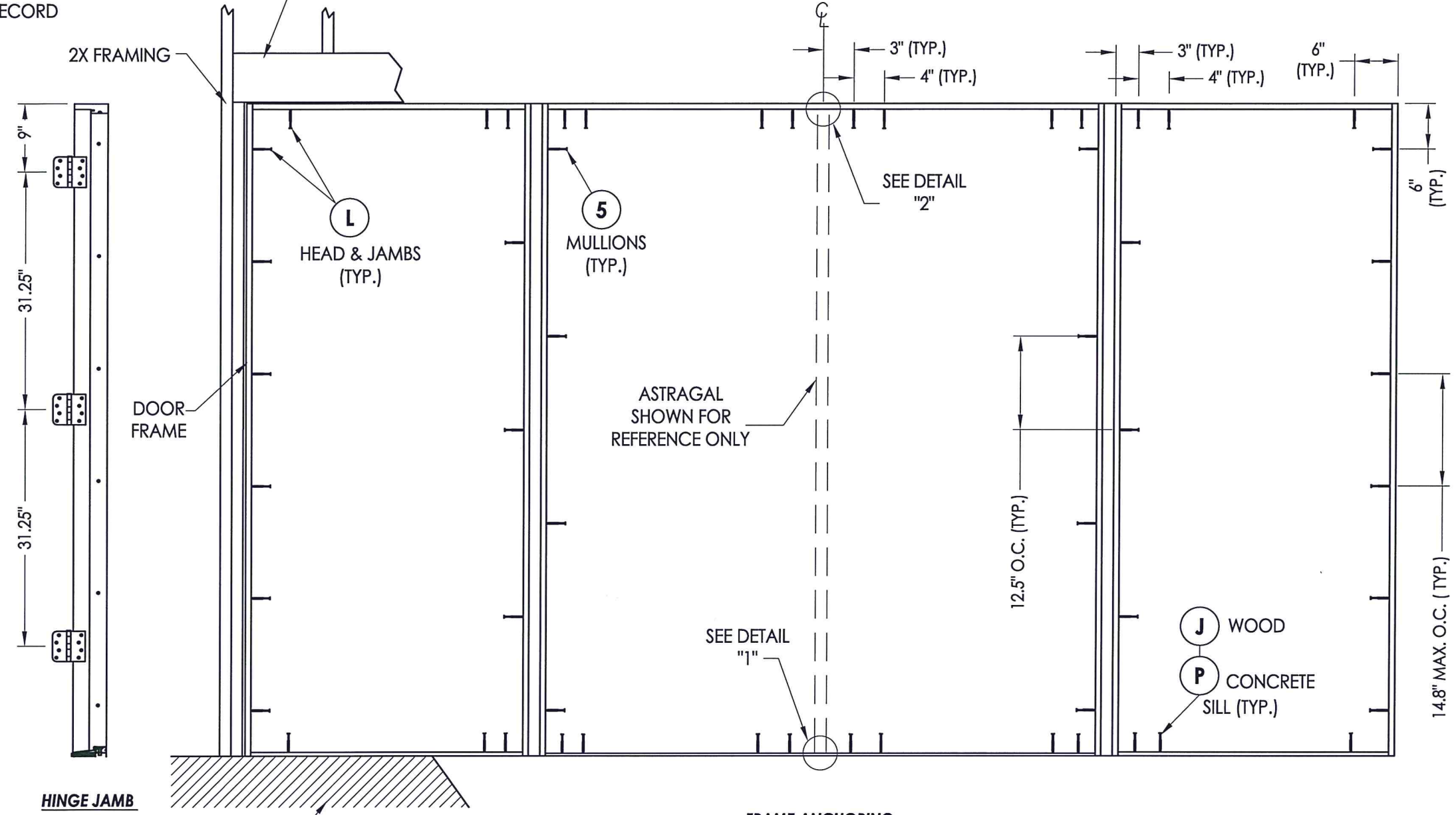
DRAWING NO.: TX-4063

SHEET 8 OF 11

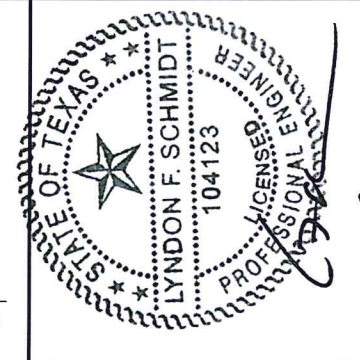
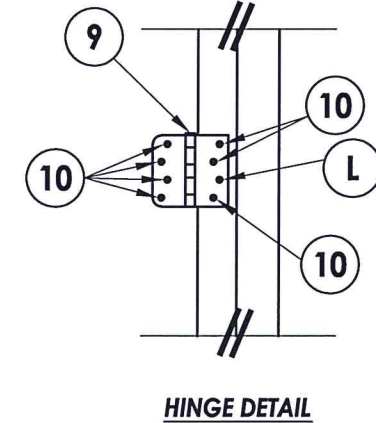
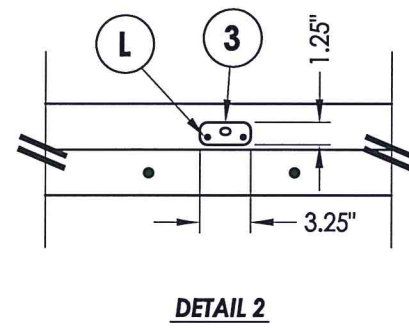
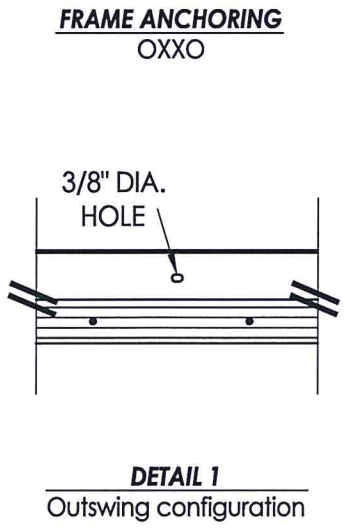
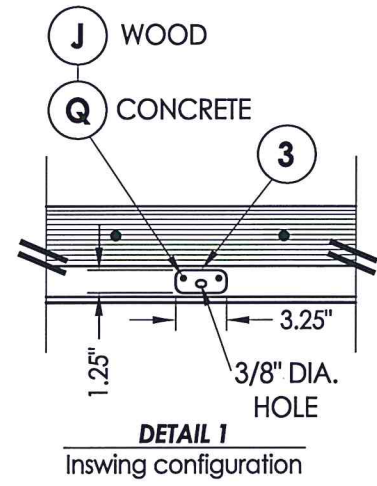


R:\Clients\Plastpro, Inc PERMANENT\B - TD\Hinged Doors - Fiberglass\DR - 442 Opaque Fiberglass (Non-Impact)\C - Drawings\TX-4062.4063.dwg, 2-9

2X FRAMING TO BE DESIGNED BY THE ENGINEER OR ARCHITECT OF RECORD



FLOOR SUBSTRATE MATERIAL  
CONCRETE (MIN. 3000 PSI)  
WOOD (S.G. >= 0.42)



5.27.20

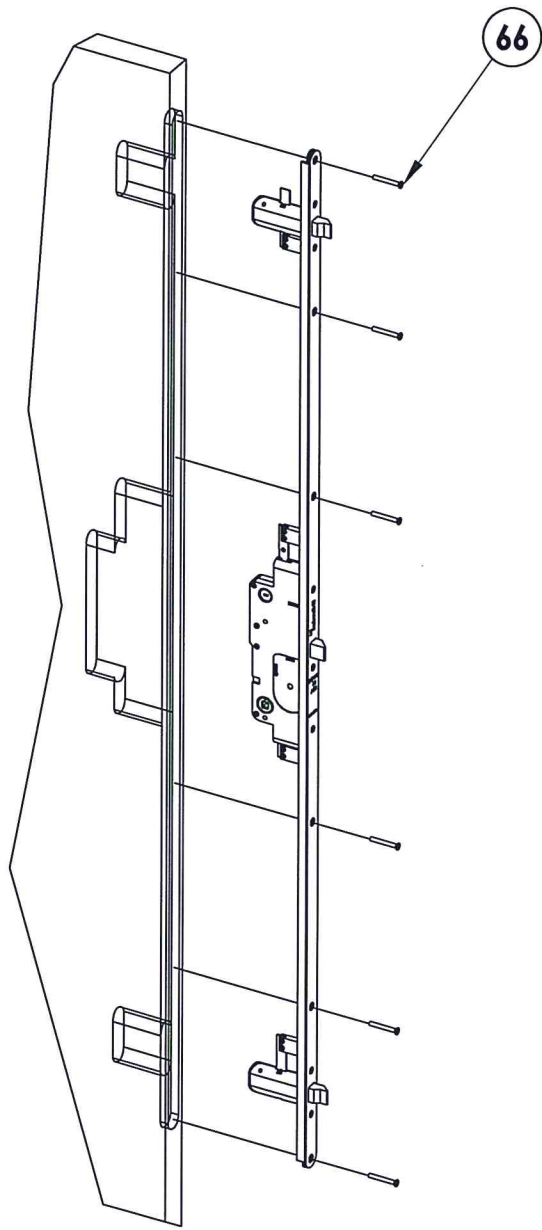
Documents Prepared By: Lyndon F. Schmidt, P.E.  
TEXAS P.E. #104123

RW BUILDING CONSULTANTS, INC.  
P.O. Box 230 Valrico FL 33595  
Phone No.: 813.659.9197

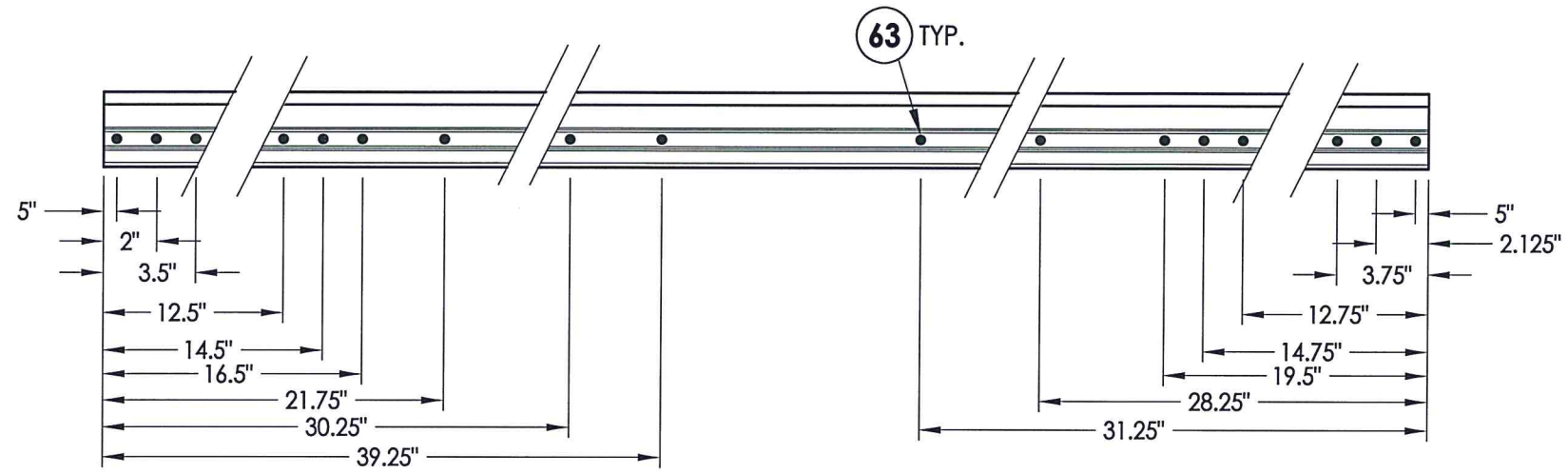
TEXAS BOARD OF PROFESSIONAL ENGINEERS  
CERTIFICATE OF REGISTRATION # F-11852

PRODUCT: PLASTPRO FIBERGLASS DOOR	
PART OR ASSEMBLY: FRAME ANCHORING	
NO.	DATE
1	5/21/20
UPDATE TO 2018 IBC/IRC CODE	
LFS	BY
REVISIONS	
DATE: 3/25/10	
SCALE: N.T.S.	
DWG. BY: JK	
CHK. BY: LFS	
DRAWING NO.: TX-4063	
SHEET 9 OF 11	

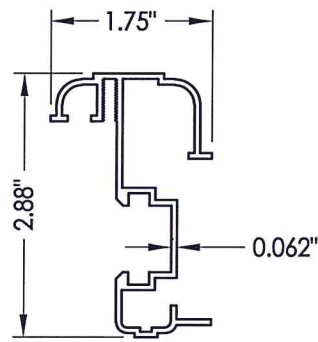
© 2010 R.W. BUILDING CONSULTANTS INC.



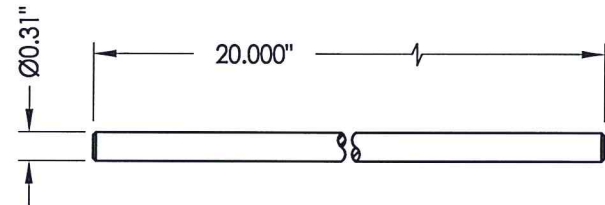
**65 MULTI-POINT LOCK**  
Trilennium by Endura



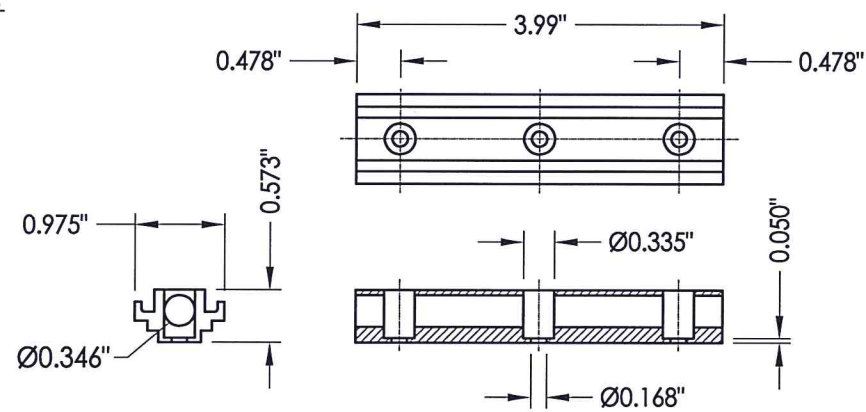
**ASTRAL SCREW LOCATIONS**



**64 ASTRAGAL**  
By DLP



**62 SLIDE BOLT ROD**  
Typ. top & bottom of astragal  
top through 2.0"  
bottom through 2.0"



**61 CONCEALED STIFFENER**



S-27.2d

Documents Prepared By: Lyndon F. Schmidt, P.E.  
TEXAS P.E. #104123

**RW** BUILDING CONSULTANTS, INC.  
P.O. Box 230 Vairico FL, 33595  
Phone No.: 813.659.9197  
TEXAS BOARD OF PROFESSIONAL ENGINEERS  
CERTIFICATE OF REGISTRATION # F-11852

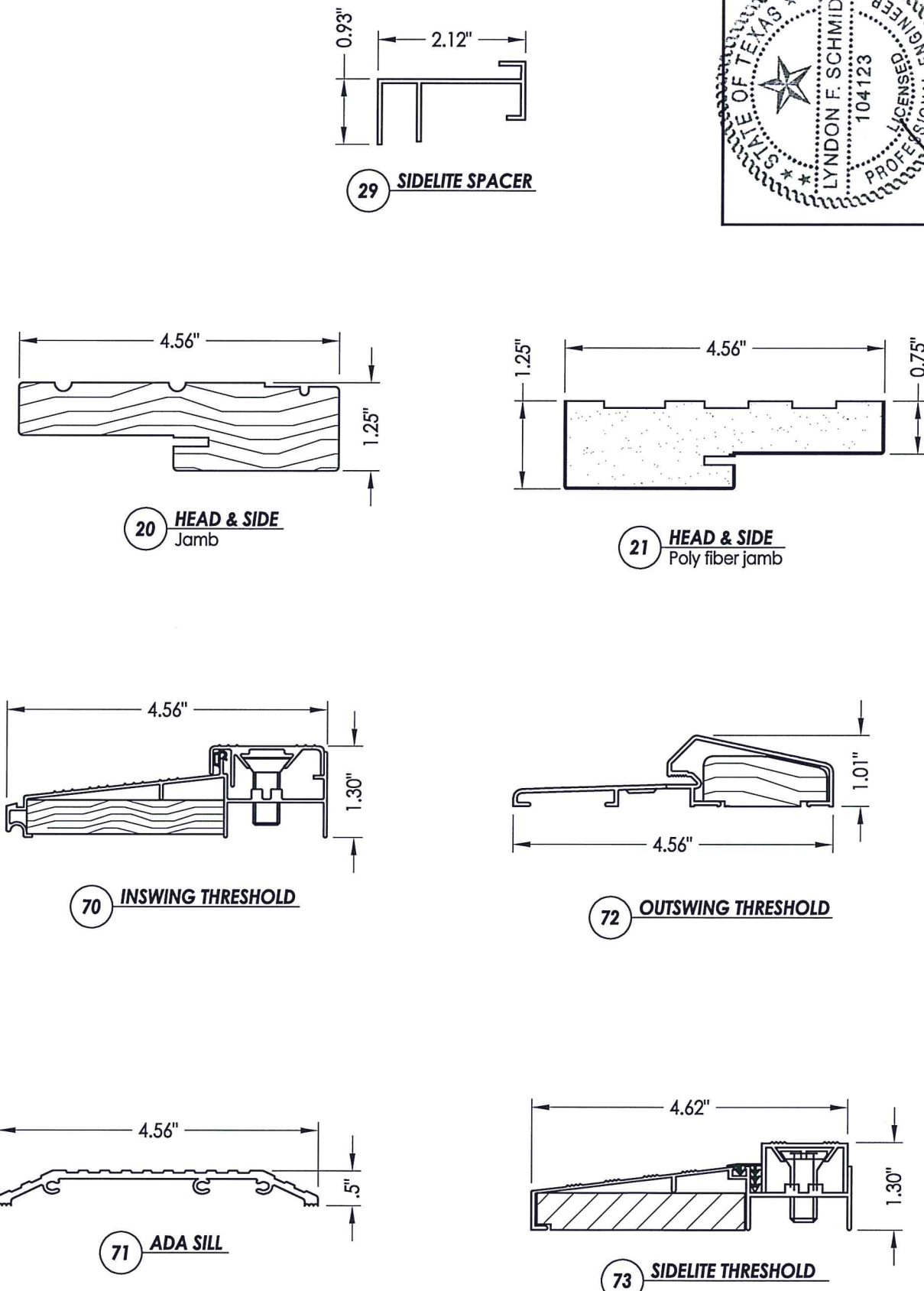
PRODUCT:	PLASTPRO FIBERGLASS DOOR
PART OR ASSEMBLY:	ASTRAL & MULTI-POINT LOCK DETAILS

NO.	DATE	DESCRIPTION	BY
1	5/21/20	UPDATE TO 2018 IBC/IRC CODE	LFS
			BY

DATE:	3/25/10
SCALE:	N.T.S.
DWG. BY:	JK
CHK. BY:	LFS
DRAWING NO.:	TX-4063
SHEET	10 OF 11

**BILL OF MATERIALS**

ITEM	DESCRIPTION	MATERIAL
A	2X HEADER FRAMING SG >= 0.42	WOOD
B	2X FRAMING SG >= 0.42	WOOD
C	1/4" MAX. SHIM SPACE	-
J	#10 X 3" PFH WOOD SCREW	STEEL
K	2X REINFORCEMENT (CLEAR PINE SG >= 0.42)	WOOD
L	#10 X 2-1/2" PFH WOOD SCREW (1.15" MIN. EMBEDMENT)	STEEL
M	#8 X 2-1/2" PFH WOOD SCREW	STEEL
P	1/4" PFH ELCO OR ITW CONCRETE SCREW (1-3/4" MIN. EMB.)	STEEL
Q	3/16" PFH ITW CONCRETE SCREW (1-3/4" MIN. EMB.)	STEEL
3	ASTRAGAL STRIKE PLATE	STEEL
5	#10 X 3" PFH SCREW	STEEL
6	SEALANT	SILICONE
7	WEATHERSTRIP BY Q-LON	FOAM
9	4" HINGE	STEEL
10	#9 X 3/4" PFH WOOD SCREW	STEEL
20	JAMB FINGER - JOINT - PINE (SG >= 0.42)	WOOD
21	POLY FIBER JAMB	POLY FIBER
22	#7 X 2" PFH DRYWALL SCREW	STEEL
29	SIDELITE SPACER	PVC
30	DOOR SWEEP	ALUM.
35	TRIM	WOOD
40	DOOR PANEL - SEE DOOR PANEL DETAIL SHEET FOR CONSTRUCTION DETAILS	-
50	SIDELITE PANEL - SEE SIDELITE PANEL DETAIL SHEET FOR CONSTRUCTION DETAILS	-
61	CONCEALED STIFFENER 6063-T6 BY PLASTPRO	ALUMINUM
62	SLIDE BOLT ROD	STEEL
63	#8 X 2" PPH SMS	STEEL
64	ASTRAGAL 6063-T5 ALUMINUM BY DLP	ALUMINUM
65	MULTI-POINT LOCK ASSEMBLY TRILENNIUM BY ENDURA	-
66	#10 X 1-1/2" PFH SCREW	STEEL
67	BACKING PLATE	STEEL
69	MULTI-POINT STRIKE PLATE	STEEL
70	INSWING THRESHOLD BY DLP	ALUM. / WOOD
71	ADA THRESHOLD BY DLP	ALUM.
72	OUTSWING THRESHOLD BY DLP	ALUM. / WOOD
73	SIDELITE THRESHOLD BY DLP	ALUM. / WOOD



Documents Prepared By: Lyndon F. Schmidt, P.E.  
TEXAS P.E. #104123

**RW** BUILDING CONSULTANTS, INC.  
P.O. Box 230 Valrico FL, 33595  
Phone No.: 813.659.9197

TEXAS BOARD OF PROFESSIONAL ENGINEERS  
CERTIFICATE OF REGISTRATION # F-11852

PRODUCT: PLASTPRO FIBERGLASS DOOR

PART OR ASSEMBLY: BILL OF MATERIALS & COMPONENTS

NO.	DATE	DESCRIPTION	BY
1	5/21/20	UPDATE TO 2018 IBC/IRC CODE	LFS

DATE: 3/25/10  
SCALE: N.T.S.  
DWG. BY: JK  
CHK. BY: LFS  
DRAWING NO.: TX-4063  
SHEET 11 OF 11

**CONCRETE ANCHOR NOTES:**

- Substitution of equal concrete anchors from a different supplier may have different edge distance and center distance requirements.
- Concrete anchor locations at the corners may be adjusted to maintain the min. edge distance to mortar joints. If concrete anchor locations noted as "MAX. ON CENTER" must be adjusted to maintain the min. edge distance to mortar joints, additional concrete anchors may be required to ensure the "MAX. ON CENTER" dimensions are not exceeded.
- Concrete anchor table:

ANCHOR TYPE	ANCHOR SIZE	MIN. EMBEDMENT	MIN. CLEARANCE TO MASONRY EDGE	MIN. CLEARANCE TO ADJACENT ANCHOR
ITW	3/16"	1-3/4"	2-5/8"	2-1/4"
	1/4"	1-3/4"	2-1/2"	3"
ELCO	1/4"	1-3/4"	1"	4"