

GLAZED FIBERGLASS DOUBLE DOOR w/ or w/o SIDELITES INSWING "NON-IMPACT"

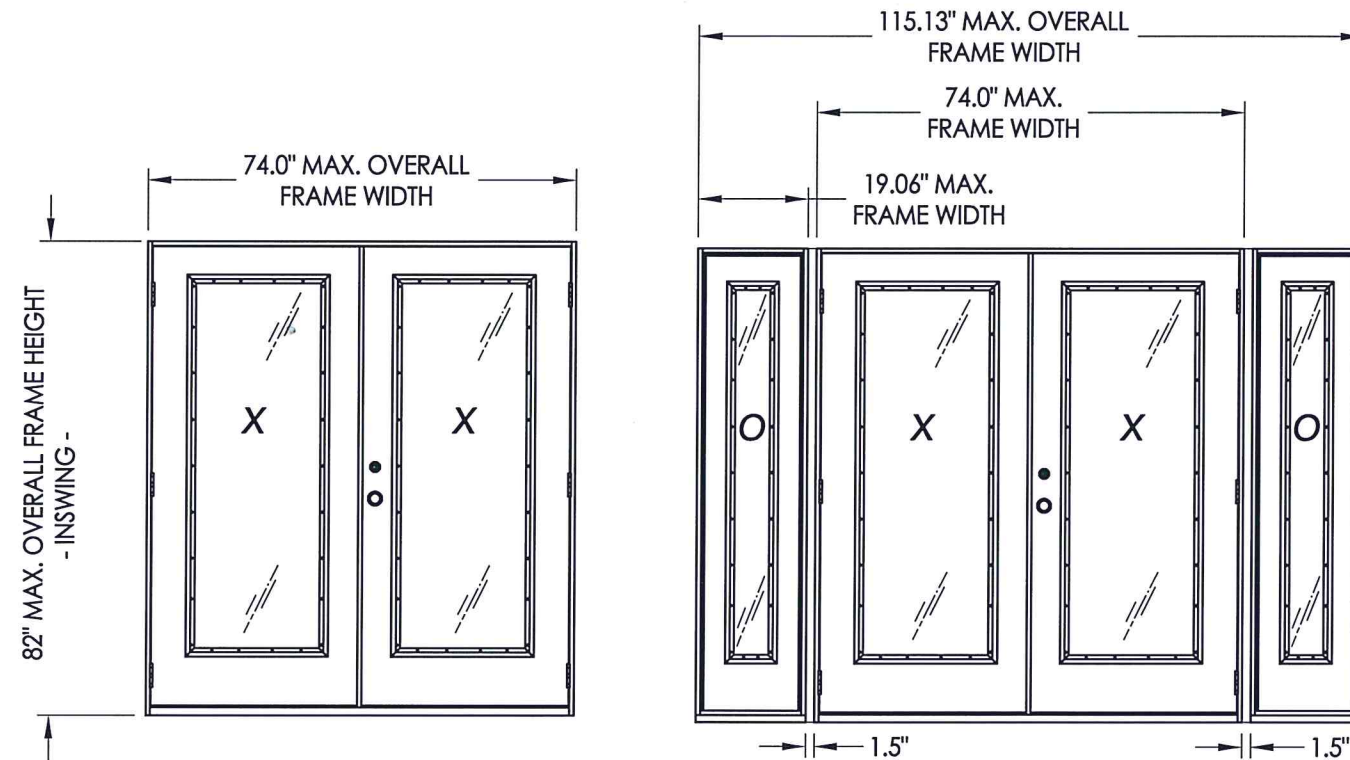
EVALUATED FOR USE IN THE STATE OF TEXAS

The Glazed Fiberglass Door system described herein complies with the 2018 International Residential Code (IRC), Sections R301 & R609 and the 2018 International Building Code (IBC), Sections 1404.13, 1609, 1709.5, 2403 and 2404 subject to the following conditions:

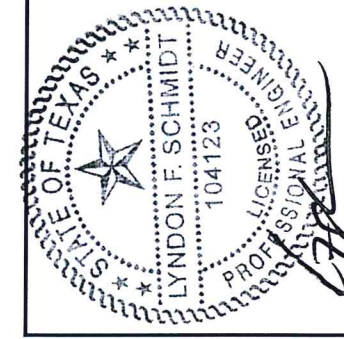
1. Anchors shall be as listed and spaced as shown in the details. Anchor embedment to base material shall be beyond wall dressing or stucco.
2. When used in areas requiring wind-borne debris protection this product is required to be protected with an impact resistant covering that complies with Section R301.2.1.2 of the IRC and Section 1609.2 of the IBC.
3. Allowable design pressure requirements must be equal to or less than the design pressure rating shown in the design pressure chart, sheet 1 of this drawing.
4. Conditions not covered by this drawing are subject to further engineering analysis.

TABLE OF CONTENTS

| SHEET# | DESCRIPTION |
|--------|--|
| 1 | Typical elevations, design pressures & general notes |
| 2 | Door panel details |
| 3 | Sidelite panel details and glazing detail |
| 4 | Elevations |
| 5 | Horizontal cross section |
| 6 | Vertical cross sections |
| 7 | Vertical cross sections |
| 8 | Frame anchoring |
| 9 | Bill of materials and components |



| CONFIGURATION | MAX. FRAME DIMENSION | MAX. D.L.O. DIMENSION | DESIGN PRESSURE (PSF) INSWING | |
|---------------|----------------------|-----------------------|-------------------------------|----------|
| | | | POSITIVE | NEGATIVE |
| XX | 74.0" x 82.0" | 21.13" x 63.13" | +55.0 | -60.0 |
| OXXO | 115.13" x 82.0" | 21.13" x 63.13" | +55.0 | -60.0 |



Documents Prepared By: Lyndon F. Schmidt, P.E.
TEXAS P.E. #104123
3-12-20

RW BUILDING CONSULTANTS, INC.
P.O. Box 230 Valrico FL 33595
Phone No.: 813.659.9197

TEXAS BOARD OF PROFESSIONAL ENGINEERS
CERTIFICATE OF REGISTRATION # F-11852

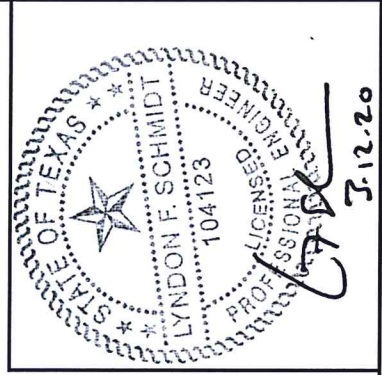
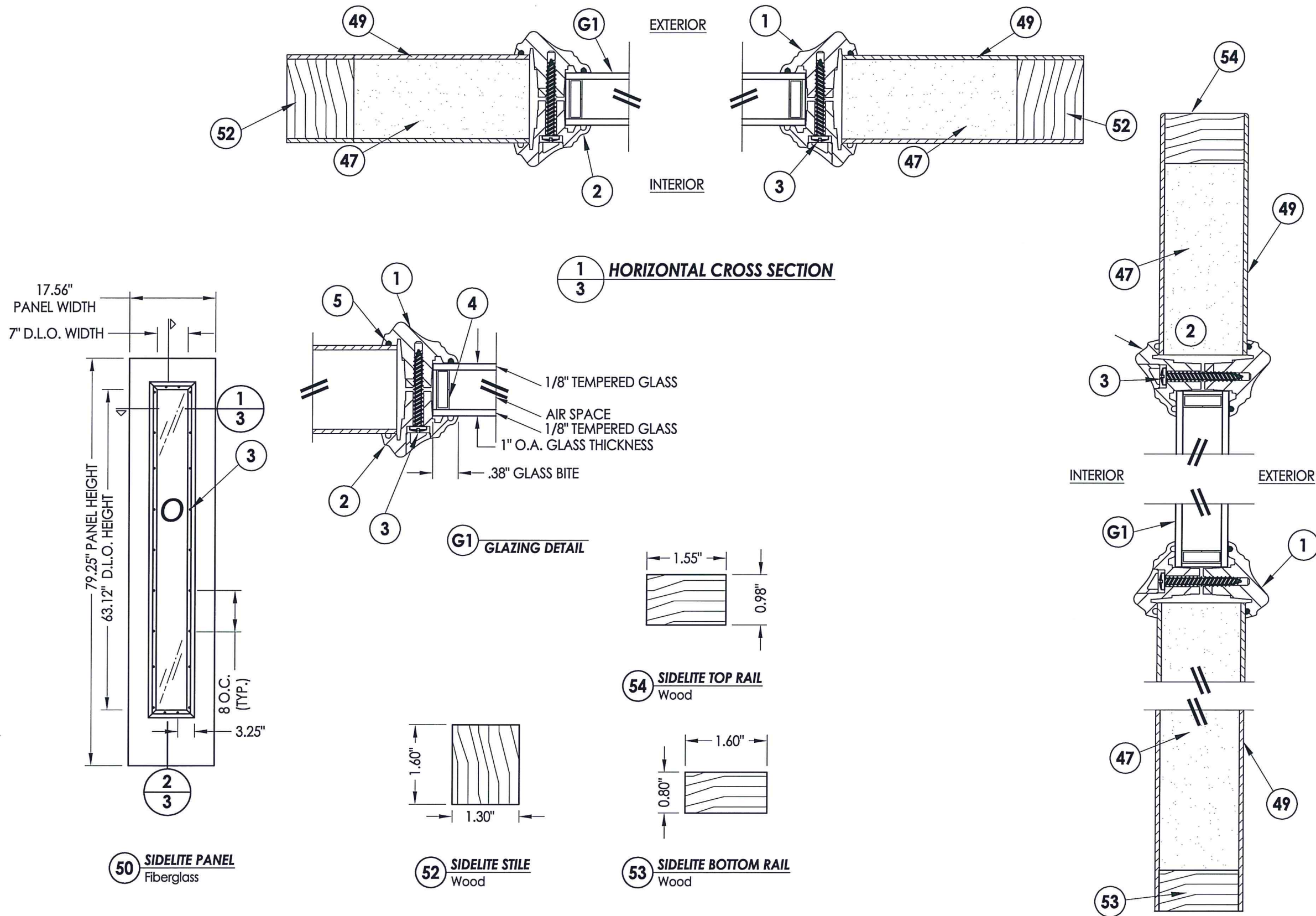
PRODUCT: MASTERGRAIN FIBERGLASS DOOR

PART OR ASSEMBLY: TYPICAL ELEVATION, DESIGN PRESSURES & GENERAL NOTES

| NO. | DATE | UPDATE TO 2018 IBC/IRC CODE | LFS | BY |
|-----|---------|-----------------------------|-----|----|
| 1 | 3/03/20 | | | |

DATE: 01/04/10
SCALE: N.T.S.
DWG. BY: JK
CHK. BY: LFS
DRAWING NO.: TX-4049
SHEET 1 OF 9

R:\Clients\Mastergrain PERMANENT\B - Texas Dept of Ins\TDDI - DR 422,423 Fiberglass Door\Drawings\TX 4048-4051.dwg, 3-9



Documents Prepared By: Lyndon F. Schmidt, P.E.
 TEXAS P.E. #104123

RW BUILDING CONSULTANTS, INC.
 P.O. Box 230 Valrico FL 33595
 Phone No.: 813.659.9197

TEXAS BOARD OF PROFESSIONAL ENGINEERS
 CERTIFICATE OF REGISTRATION # F-11852

PRODUCT: MASTERGRAIN FIBERGLASS DOOR

PART OR ASSEMBLY: SIDELITE PANEL DETAILS AND GLAZING DETAIL

| REVISIONS | |
|-----------|-----------------------------|
| NO. | DATE |
| 1 | 3/03/20 |
| | UPDATE TO 2018 IBC/IRC CODE |
| | LFS |
| | BY |

DATE: 01/04/10

SCALE: N.T.S.

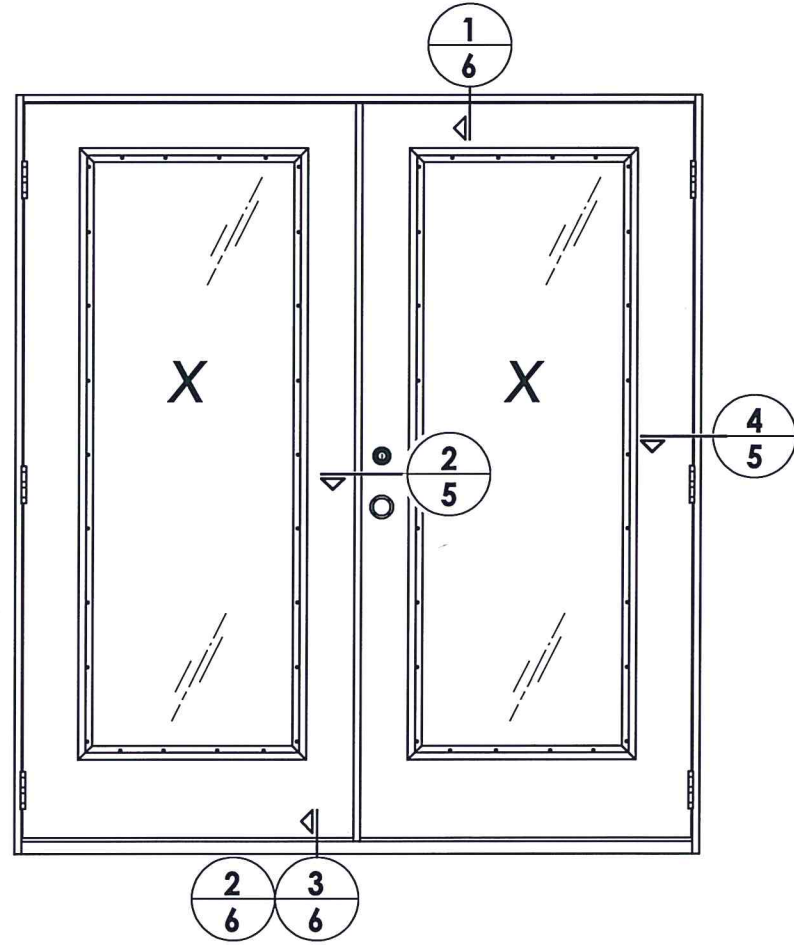
DWG. BY: JK

CHK. BY: LFS

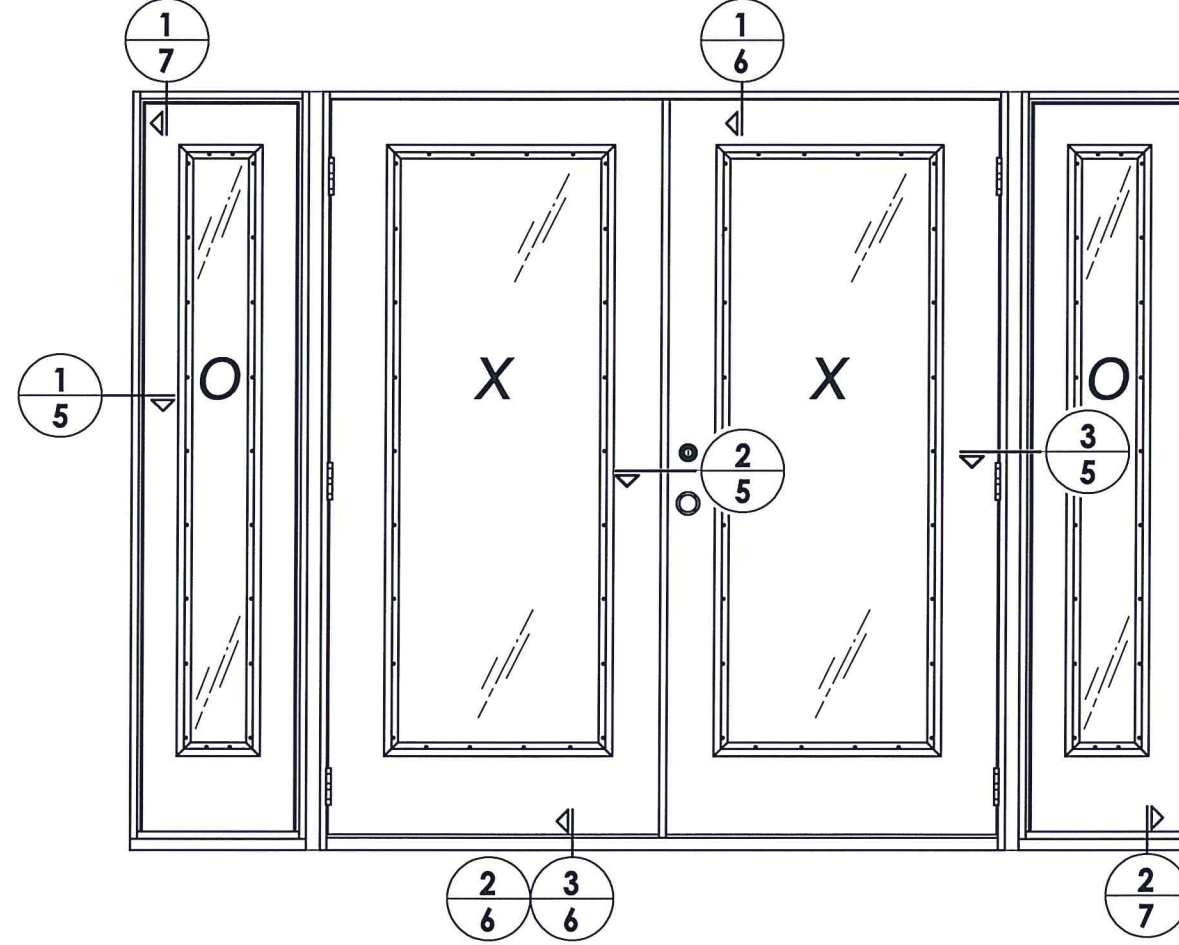
DRAWING NO.: TX-4049

SHEET 3 OF 9

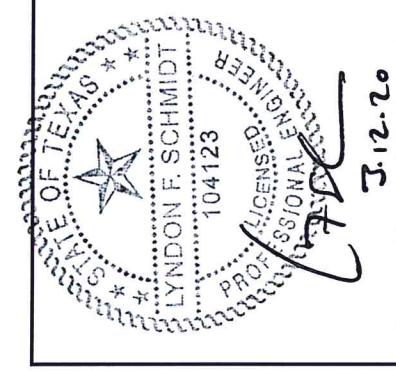
© 2010 R.W. BUILDING CONSULTANTS INC.



ELEVATION (XX)



ELEVATION (OXXO)



Documents Prepared By: Lyndon F. Schmidt, P.E.
TEXAS P.E. #104123

RW BUILDING CONSULTANTS, INC.
P.O. Box 230 Valrico FL 33595
Phone No.: 813.659.9197

TEXAS BOARD OF PROFESSIONAL ENGINEERS
CERTIFICATE OF REGISTRATION # F-11852

PRODUCT: MASTERGRAIN FIBERGLASS DOOR

PART OR ASSEMBLY: ELEVATIONS

| NO. | DATE | DESCRIPTION | LFS | BY |
|-----|---------|-----------------------------|-----|----|
| 1 | 3/03/20 | UPDATE TO 2018 IBC/IRC CODE | LFS | BY |

DATE: 01/04/10

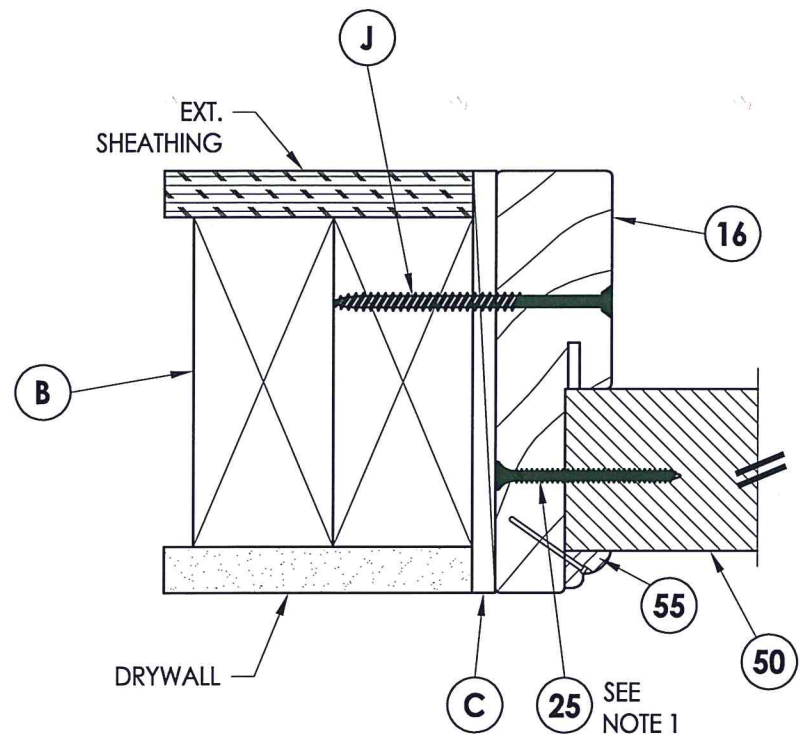
SCALE: N.T.S.

DWG. BY: JK

CHK. BY: LFS

DRAWING NO.: TX-4049

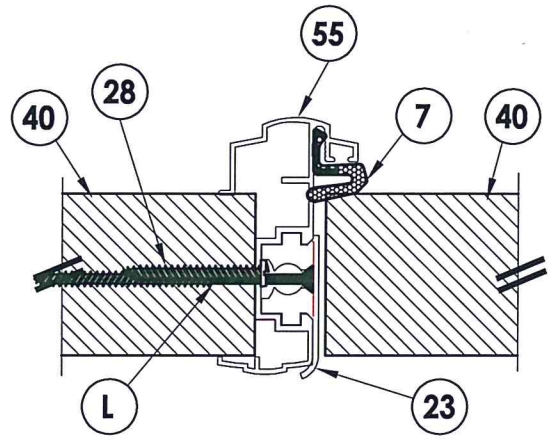
SHEET 4 OF 9



1
5 HORIZONTAL CROSS SECTION

EXTERIOR

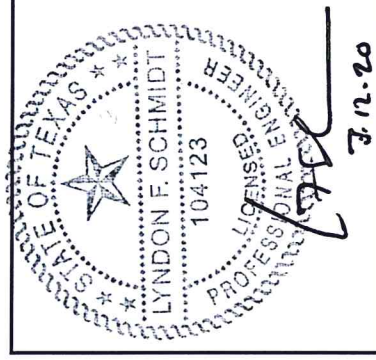
INTERIOR



2
5 HORIZONTAL CROSS SECTION

NOTE:

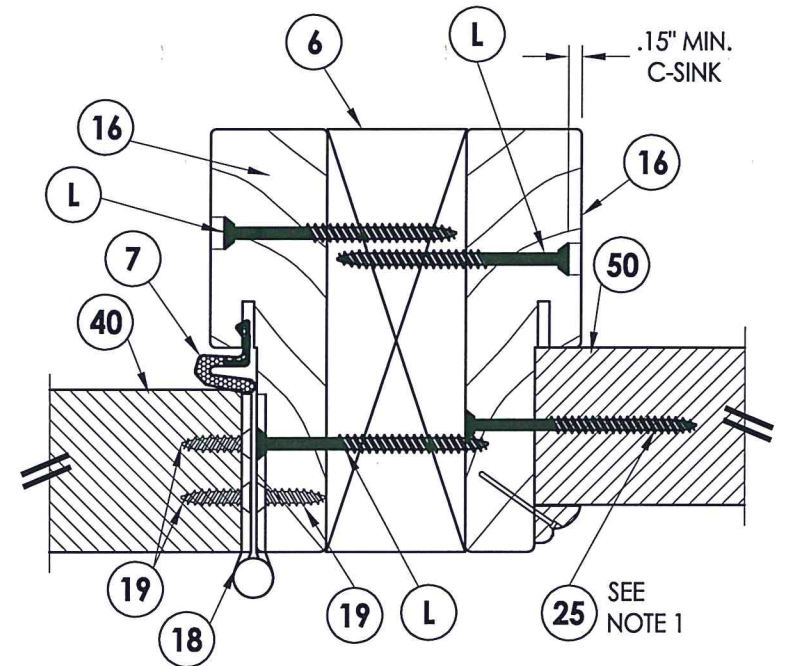
1. Sidelite ass'y fastener; 6" from each end and 6 more screws equally spaced between. (8 screws total per jamb.)
2. Trim secured with 1" Brad Nail @ 6" O.C. (TYP).



Documents Prepared By: Lyndon F. Schmidt, P.E.
TEXAS P.E. #104123

RW BUILDING CONSULTANTS, INC.
P.O. Box 230 Valrico FL 33595
Phone No.: 813.659.9197
TEXAS BOARD OF PROFESSIONAL ENGINEERS
CERTIFICATE OF REGISTRATION # F-11852

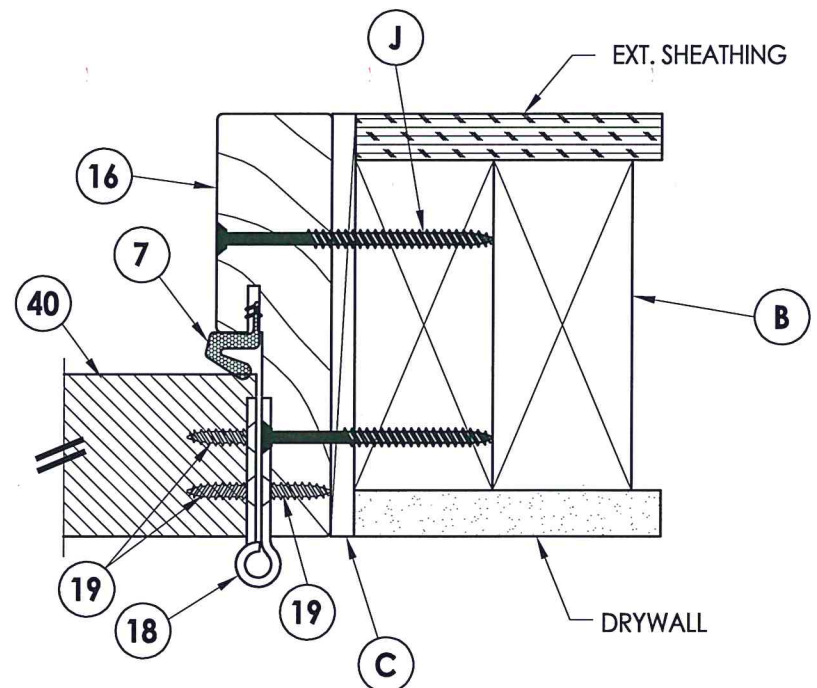
PRODUCT: MASTERGRAIN FIBERGLASS DOOR
PART OR ASSEMBLY: HORIZONTAL CROSS SECTIONS



3
5 HORIZONTAL CROSS SECTION

EXTERIOR

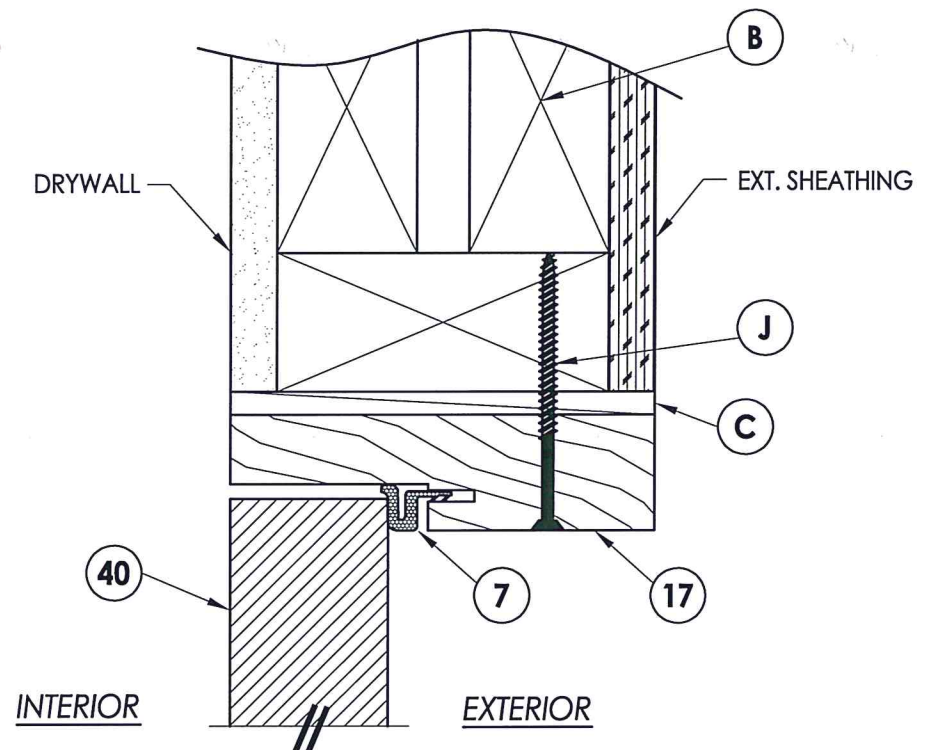
INTERIOR



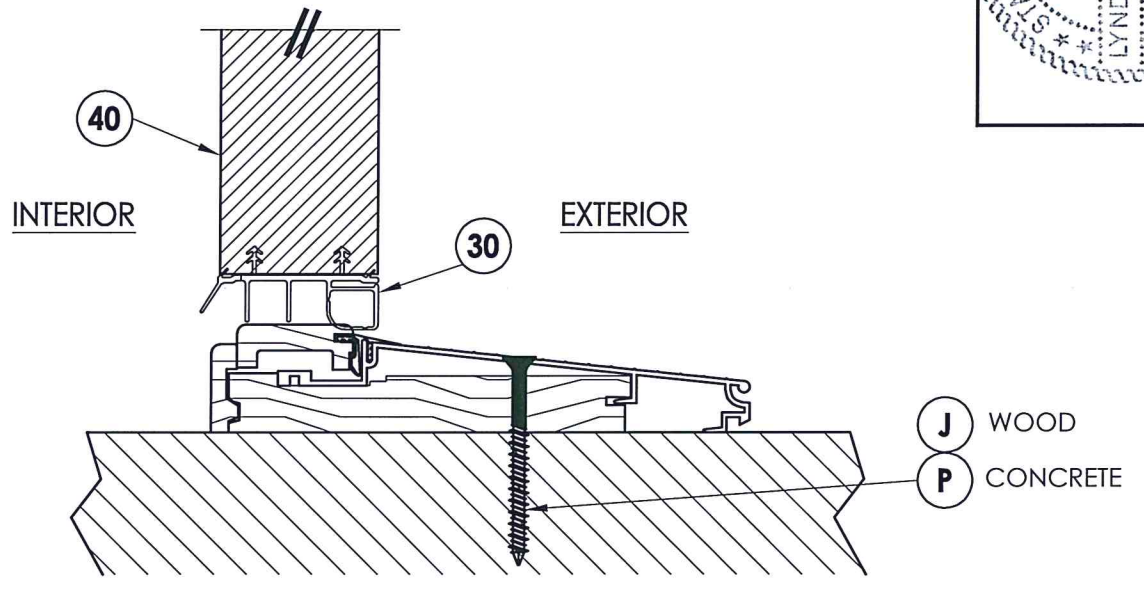
4
5 HORIZONTAL CROSS SECTION

| NO. | DATE | REVISIONS | LFS | BY |
|-----|---------|-----------------------------|-----|----|
| 1 | 3/03/20 | UPDATE TO 2018 IBC/IRC CODE | LFS | JK |

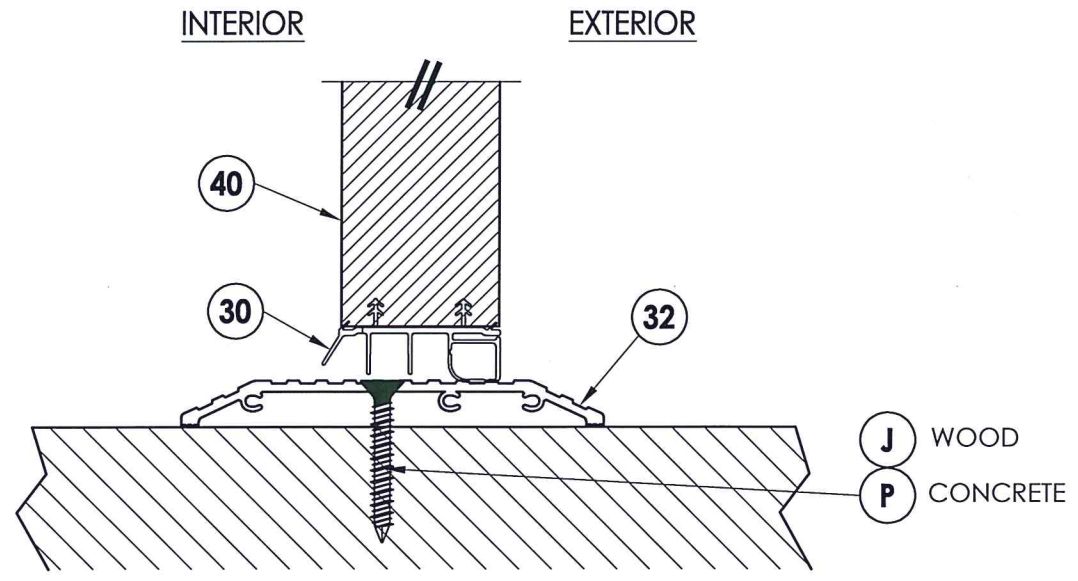
DATE: 01/04/10
SCALE: N.T.S.
DWG. BY: JK
CHK. BY: LFS
DRAWING NO.: TX-4049
SHEET 5 OF 9



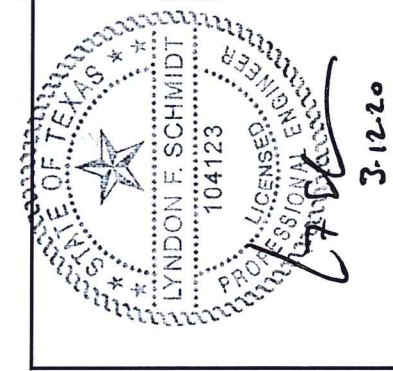
1 VERTICAL CROSS SECTION
6



2 VERTICAL CROSS SECTION
6 Inswing configuration



3 VERTICAL CROSS SECTION
6 Shown w/ ADA threshold



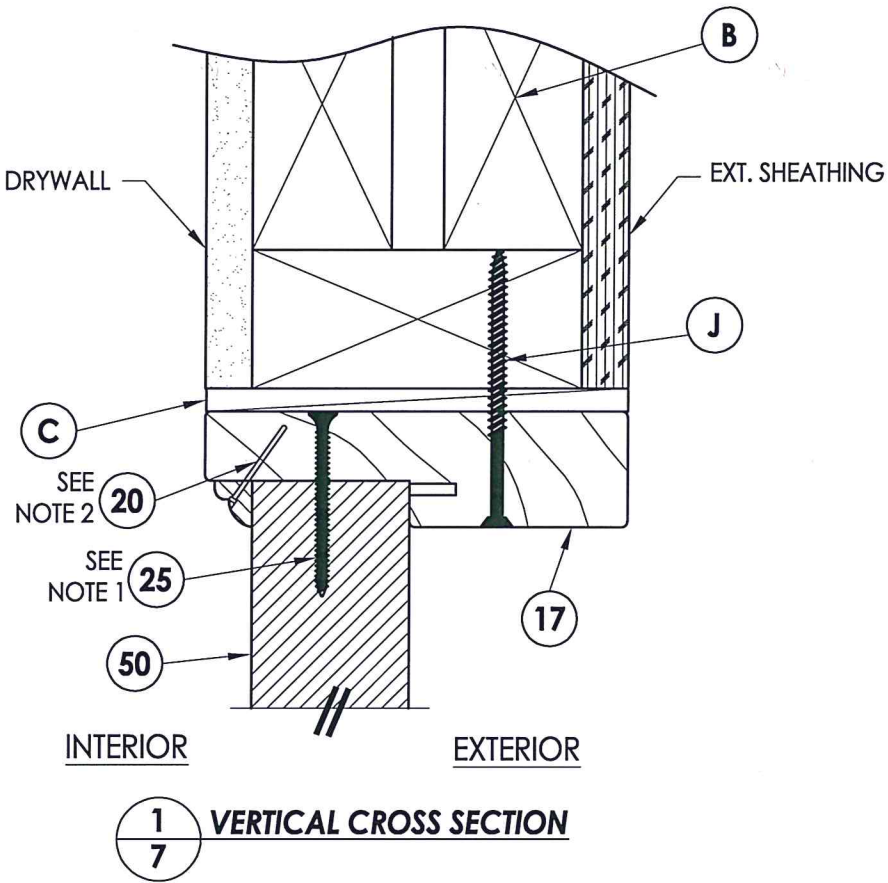
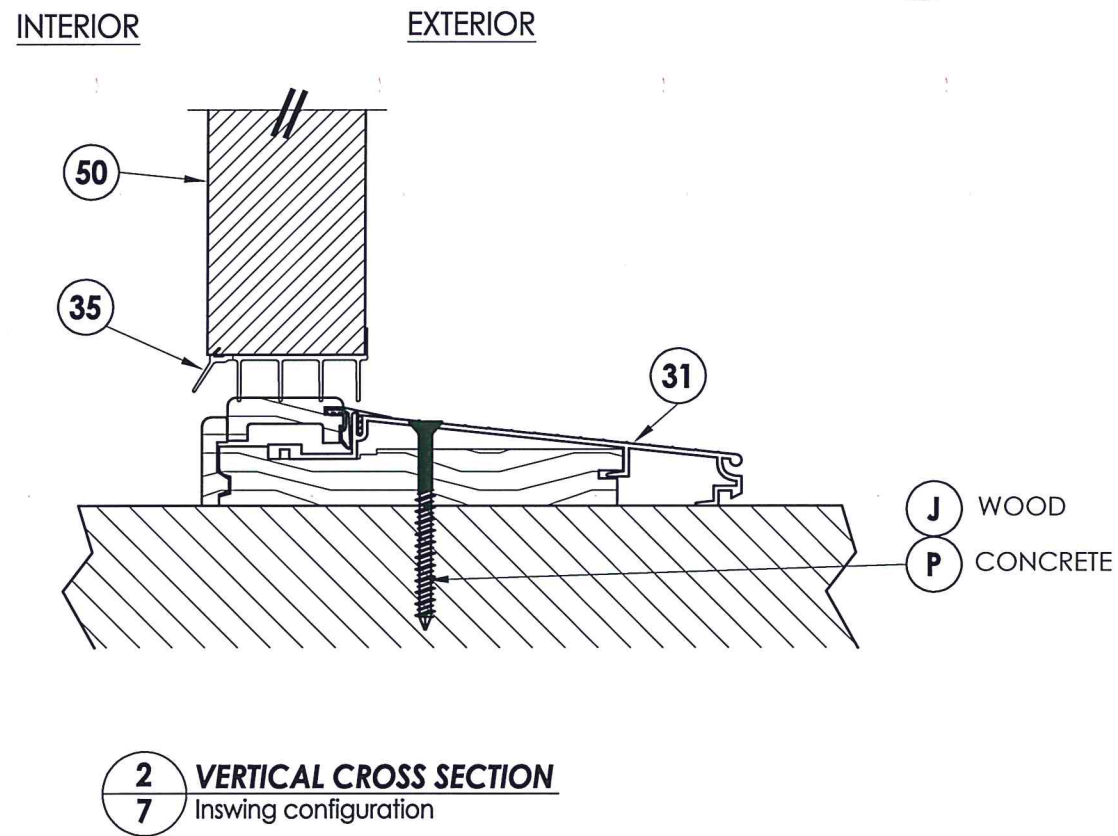
Documents Prepared By: Lyndon F. Schmidt, P.E.
TEXAS P.E. #104123

RW BUILDING CONSULTANTS, INC.
P.O. Box 230 Valrico FL 33595
Phone No.: 813.659.9197
TEXAS BOARD OF PROFESSIONAL ENGINEERS
CERTIFICATE OF REGISTRATION # F-11852

PRODUCT: MASTERGRAIN FIBERGLASS DOOR
PART OR ASSEMBLY: VERTICAL CROSS SECTIONS

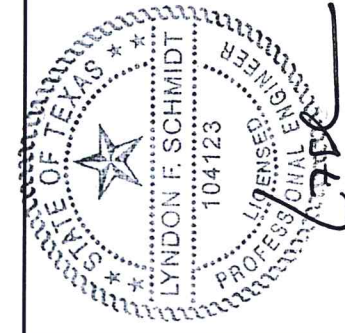
| REVISIONS | |
|-----------|-----------------------------|
| NO. | DATE |
| 1 | 3/03/20 |
| | UPDATE TO 2018 IBC/IRC CODE |
| LFS | BY |

DATE: 01/04/10
SCALE: N.T.S.
DWG. BY: JK
CHK. BY: LFS
DRAWING NO.: TX-4049
SHEET 6 OF 9



NOTE:

1. Screws thru head jamb located 3" from each end.
2. Trim secured with 1" Brad Nail @ 6" O.C. (TYP).

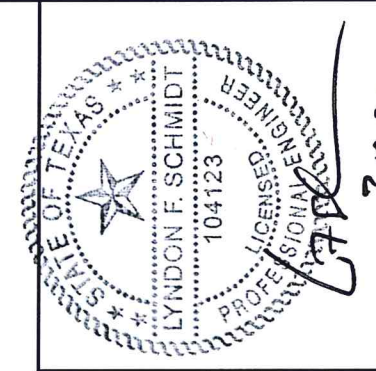


Documents Prepared By: Lyndon F. Schmidt, P.E.
TEXAS P.E. #104123

RW BUILDING CONSULTANTS, INC.
P.O. Box 230 Valrico FL 33595
Phone No.: 813.659.9197
TEXAS BOARD OF PROFESSIONAL ENGINEERS
CERTIFICATE OF REGISTRATION # F-11852

| | | | |
|----------------------|---------|--------------------------------|-----|
| PRODUCT: | | MASTERGRAIN FIBERGLASS DOOR | |
| PART OR ASSEMBLY: | | VERTICAL CROSS SECTIONS | |
| NO. | DATE | REVISIONS | BY |
| 1 | 3/03/20 | UPDATE TO 2018 IBC/IRC CODE | LFS |
| | | | |
| DATE: 01/04/10 | | | |
| SCALE: N.T.S. | | | |
| DWG. BY: JK | | | |
| CHK. BY: LFS | | | |
| DRAWING NO.: TX-4049 | | | |
| SHEET 7 of 9 | | | |

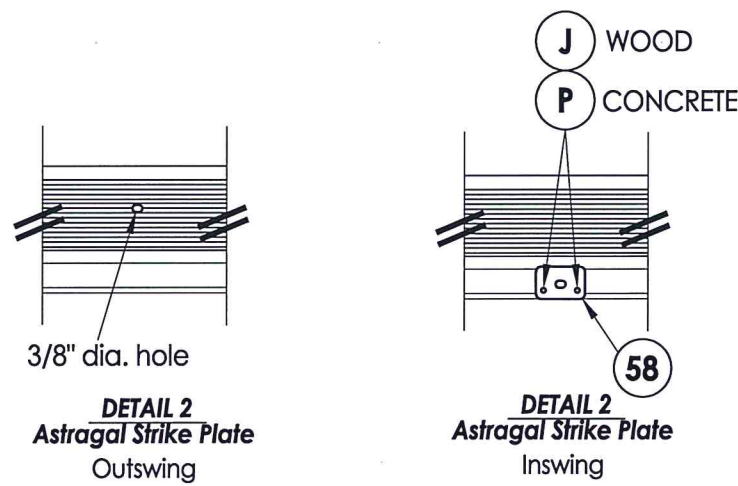
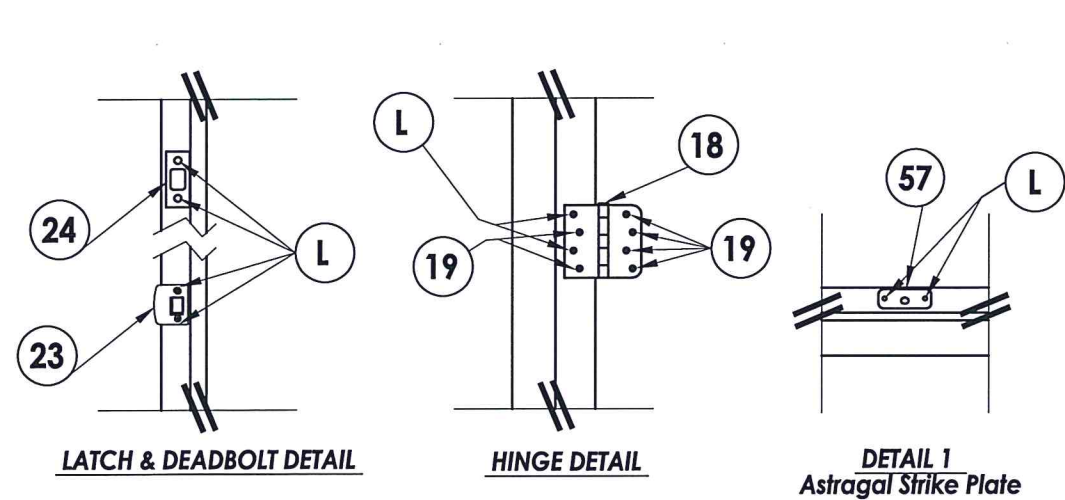
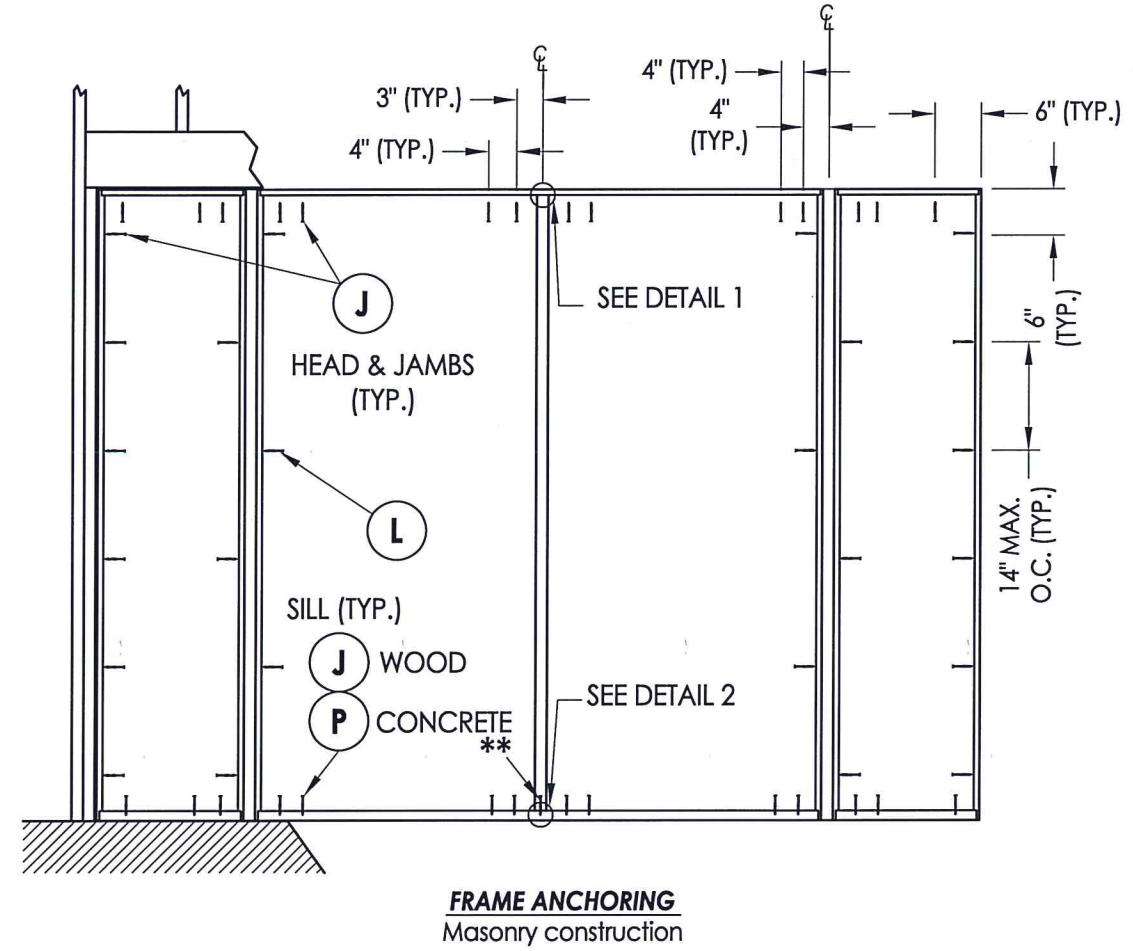
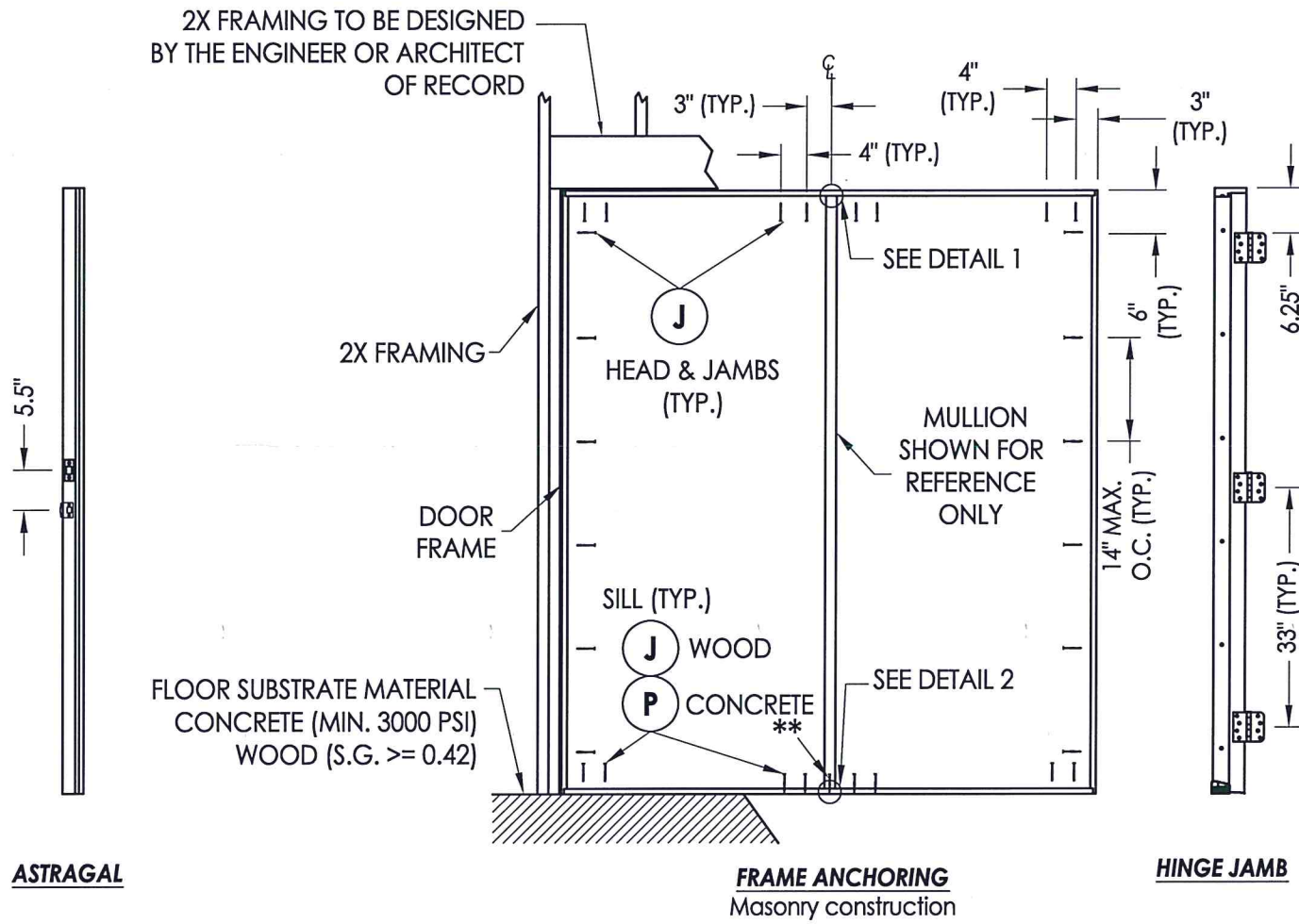
** Additional anchor required for DP > 40 PSF (outswing only)



Documents Prepared By: Lyndon F. Schmidt, P.E.
TEXAS P.E. #104123

RW BUILDING CONSULTANTS, INC.
P.O. Box 230 Valrico FL 33595
Phone No.: 813.659.9197

TEXAS BOARD OF PROFESSIONAL ENGINEERS
CERTIFICATE OF REGISTRATION # F-11852



| | | |
|-------------------|-----------------------------|------------------------------------|
| PRODUCT: | MASTERGRAIN FIBERGLASS DOOR | |
| PART OR ASSEMBLY: | FRAME ANCHORING | |
| DATE: | 01/04/10 | |
| SCALE: | N.T.S. | |
| DWG. BY: | JK | |
| CHK. BY: | LFS | |
| DRAWING NO.: | TX-4049 | |
| SHEET | 8 OF 9 | |
| NO. | DATE | REVISIONS |
| 1 | 3/03/20 | UPDATE TO 2018 IBC/IRC CODE LFS BY |

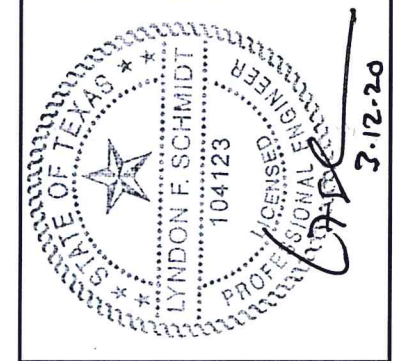
R:\Clients\Mastergrain PERMANENT\B - Texas Dept of Ins\TDI - DR 422,423 Fiberglass Door\Drawings\TX 4048-4051.dwg, 8-9

© 2010 R.W. BUILDING CONSULTANTS INC.

BILL OF MATERIALS

| ITEM # | DESCRIPTION | MATERIAL |
|--------|---|---------------|
| B | 2X FRAMING SG >= 0.42 | WOOD |
| C | 1/4" MAX. SHIM SPACE | - |
| J | #10 X 3" PFH WS | STEEL |
| K | #9 X 2-1/2" PFH WS | STEEL |
| L | #10 X 2-1/2" PFH WOOD SCREW | STEEL |
| P | 3/16" ELCO OR ITW PFH CONCRETE SCREW | STEEL |
| 1 | FEMALE LITE FRAME - MASTERGRAIN | POLYPROPYLENE |
| 2 | MALE LITE FRAME - MASTERGRAIN | POLYPROPYLENE |
| 3 | #8 X 1-3/4" PANHEAD SMS (LIGHT FRAME SCREW) | STEEL |
| 4 | ALUMINUM SPACER SYSTEM | ALUMINUM |
| 5 | SILICONE WEATHER SEAL MG #2500 | SILICONE |
| 6 | 2X MULLION SG > = 0.55 | WOOD |
| 7 | WEATHER STRIP | FOAM |
| 8 | #10 X 1-1/2" PFH | STEEL |
| 16 | SIDE JAMB SG > = 0.42 | WOOD |
| 17 | HEAD JAMB SG > = 0.42 | WOOD |
| 18 | 4" X 4" HINGE MIN 0.1" THICK | STEEL |
| 19 | #10 X 3/4" PFH WS | STEEL |
| 20 | 1" BRAD NAIL | STEEL |
| 21 | KWIKSET DEADBOLT -SERIES 690 CP | STEEL |
| 21A | COPPER CREEK DB2410 SC #8003 DEADBOLT | STEEL |
| 22 | KWIKSET LOCK -SERIES 690 CP PASSAGE | STEEL |
| 22A | COPPER CREEK BK2040 SC# 8379 PASSAGE | STEEL |

| | | |
|----|---|--------------|
| 23 | LATCH STRIKE PLATE | STEEL |
| 24 | DEADBOLT STRIKE PLATE | STEEL |
| 25 | #8 X 2-1/2" PFH WOOD SCREW | STEEL |
| 26 | SECURITY STRIKE PLATE | STEEL |
| 30 | DOOR BOTTOM SWEEP | VINYL |
| 31 | INSWING THRESHOLD | ALUM/COMP. |
| 32 | ADA THRESHOLD | ALUM. |
| 34 | SIDELITE THRESHOLD | ALUM./COMP. |
| 35 | SIDELITE SWEEP | VINYL |
| 40 | DOOR PANEL - SEE DOOR PANEL DETAIL SHEET FOR CONSTRUCTION DETAILS | - |
| 41 | HINGE AND LATCH REINFORCMENT | WOOD |
| 42 | HINGE AND LATCH STILE - SG >= 0.42 | WOOD |
| 44 | TOP RAIL | COMP. |
| 45 | BOTTOM RAIL | COMP. |
| 47 | POLYURETHANE FOAM | POLYURETHANE |
| 49 | FIBERGLASS SKIN 0.08" MIN. THICKNESS | FIBERGLASS |
| 50 | SIDELITE PANEL - SEE SIDELITE PANEL DETAIL SHEET FOR CONSTRUCTION DETAILS | - |
| 52 | SIDELITE STILE - SG>= 0.42 | WOOD |
| 53 | SIDELITE BOTTOM RAIL SG > = 0.42 | WOOD |
| 54 | SIDELITE TOP RAIL SG > = 0.42 | WOOD |
| 55 | ASTRAGAL (IMPERIAL) | ALUMINUM |
| 57 | ASTRAGAL TOP STRIKE PLATE | STEEL |
| 58 | ASTRAGAL BOTTOM STRIKE PLATE | STEEL |



Documents Prepared By: Lyndon F. Schmidt, P.E.
TEXAS P.E. #104123

RW BUILDING CONSULTANTS, INC.
P.O. Box 230 Valrico FL 33595
Phone No.: 813.659.9197

TEXAS BOARD OF PROFESSIONAL ENGINEERS
CERTIFICATE OF REGISTRATION # F-11852

PRODUCT: MASTERGRAIN FIBERGLASS DOOR
PART OR ASSEMBLY: BILL OF MATERIALS

| NO. | DATE | DESCRIPTION | LFS | BY |
|-----|---------|-----------------------------|-----|----|
| 1 | 3/03/20 | UPDATE TO 2018 IBC/IRC CODE | | |

DATE: 01/04/10
SCALE: N.T.S.
DWG. BY: JK
CHK. BY: LFS
DRAWING NO.: TX-4049
SHEET 9 of 9

CONCRETE ANCHOR NOTES:

- Concrete anchor locations at the corners may be adjusted to maintain the min. edge distance to mortar joints.
- Concrete anchor locations noted as "MAX. ON CENTER" must be adjusted to maintain the min. edge distance to mortar joints, additional concrete anchors may be required to ensure the "MAX. ON CENTER" dimension are not exceeded.
- Concrete anchor table:

| ANCHOR TYPE | ANCHOR SIZE | MIN. EMBEDMENT | MIN. CLEARANCE TO MASONRY EDGE | MIN. CLEARANCE TO ADJACENT ANCHOR |
|----------------|-------------|----------------|--------------------------------|-----------------------------------|
| ITW TAPCON® | 1/4" | 1-3/4" | 1-1/2" | 4" |
| ELCO ULTRACON® | 1/4" | 1-3/4" | 1" | 4" |

