

GENERAL NOTES:

- 1) THE PRODUCT SHOWN HEREIN IS DESIGNED AND MANUFACTURED TO COMPLY WITH THE REQUIREMENTS OF THE 2018 INTERNATIONAL BUILDING CODE AND THE 2018 INTERNATIONAL RESIDENTIAL CODE.
- 2) WIND LOAD DURATION FACTOR Cd=1.6 WAS USED FOR WOOD ANCHOR CALCULATIONS.
- 3) FRAME MATERIAL: EXTRUDED ALUMINUM 6063-T6.
- 4) UNITS MUST BE GLAZED PER ASTM E1300-04/09, SEE SHEET 5 FOR GLASS DETAILS.
- 5) SHUTTERS ARE NOT REQUIRED PER CODE REQUIREMENTS, AS APPLICABLE.
- 6) ALL FASTENERS TO BE CORROSION RESISTANT.
- 7) INSTALLATION ANCHORS SHALL BE INSTALLED IN ACCORDANCE WITH ANCHOR MANUFACTURER'S INSTALLATION INSTRUCTIONS AND ANCHORS SHALL NOT BE USED IN SUBSTRATES WITH STRENGTHS LESS THAN THE MINIMUM STRENGTH SPECIFIED BELOW:
 - A. WOOD: MINIMUM SPECIFIC GRAVITY OF G=0.42
 - B. CONCRETE: MINIMUM COMPRESSIVE STRENGTH OF 2,000 PSI.
 - C. MASONRY: HOLLOW/FILLED BLOCK PER ASTM C90 WITH Fm=2,000PSI MINIMUM.
 - D. METAL STRUCTURE: STEEL 18GA (.048") FY=33KSI/FU=52KSI OR ALUMINUM 6063-T5 FU=30KSI .048" THICK MINIMUM
- 8) APPROVED CONFIGURATIONS: 2 TRACK, 3 TRACK, 4 TRACK WITH OR WITHOUT POCKETS. POCKETS MAY BE INTERIOR OR EXTERIOR.
- 9) DOOR SIZES MUST BE VERIFIED FOR COMPLIANCE WITH EGRESS REQUIREMENTS OF THE IBC/IRC, AS APPLICABLE.
- 10) ANCHORAGE: THE 33-1/3% STRESS INCREASE HAS NOT BEEN USED IN THE DESIGN OF THIS PRODUCT. ANCHORS SHALL BE COATED OR CORROSION RESISTANT AS SPECIFIED IN THE IBC/IRC.

NON-REINFORCED STILES WITH 2-1/2" SILL RISER

| DESIGN PRESSURE RATING | IMPACT RATING |
|------------------------|------------------------------|
| +45.0/-45.0 PSF | LARGE & SMALL MISSILE IMPACT |

LARGE MISSILE LEVEL D, WIND ZONE 4

REINFORCED STILES WITH 2-1/2" SILL RISER

| DESIGN PRESSURE RATING | IMPACT RATING |
|------------------------|------------------------------|
| +45.0/-60.0 PSF | LARGE & SMALL MISSILE IMPACT |

LARGE MISSILE LEVEL D, WIND ZONE 4

REINFORCED STILES WITH 3-1/8" SILL RISER

| DESIGN PRESSURE RATING | IMPACT RATING |
|------------------------|------------------------------|
| +60.0/-60.0 PSF | LARGE & SMALL MISSILE IMPACT |

LARGE MISSILE LEVEL D, WIND ZONE 4

TABLE 1: PRODUCT CERTIFICATIONS

| Nominal Panel Size | | Design Pressure | | Stile Type | Minimum Sill Riser Height | Certification Numbers |
|--------------------|--------|-----------------|---------|----------------|---------------------------|-----------------------|
| Width | Height | (+) psf | (-) psf | | | |
| 60" | 98" | 45 | 45 | Non-reinforced | 2-1/2" | 167-177, 211 |
| 60" | 98" | 45 | 60 | Reinforced | 2-1/2" | 167-183, 217 |
| 60" | 98" | 60 | 60 | Reinforced | 3-1/8" | 167-180, 214 |



PANEL CONSTRUCTION:

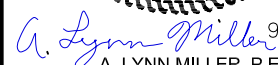
ALL PANELS ARE CONSTRUCTED FROM EXTRUDED 6063-T6 ALUMINUM. THE VERTICAL STILES ARE NOTCHED TO RECEIVE THE HORIZONTAL RAILS. EACH RAIL IS SECURED TO STILES WITH (3) #10 x 1 1/4" SQ. DRIVE SCREW AT EACH END, B.O.M. ITEM #47. ALL PANELS HAVE A FIXED GLAZING STOP ON THE INTERIOR AND AN APPLIED GLAZING STOP ON THE EXTERIOR.

FRAME CONSTRUCTION:

EACH FRAME CORNER IS NOTCHED AND BUTTED. HEAD AND SILL ARE SECURED TO JAMBS WITH #7 x 1" TYPE F SCREW, B.O.M. ITEM #48, (2) AT EACH CORNER ON 2 TRACK FRAME, (3) AT EACH CORNER ON 3 TRACK FRAME AND (4) AT EACH CORNER ON 4 TRACK FRAME.

| | |
|-------------------------|-------|
| GENERAL NOTES..... | 1 |
| ELEVATION..... | 2 |
| ANCHORING LAYOUT..... | 3 |
| BILL OF MATERIALS..... | 4 |
| GLAZING DETAILS..... | 5 |
| CROSS SECTIONS..... | 6-9 |
| INSTALLATION DETAILS... | 10-12 |
| COMPONENTS..... | 13-14 |

| | | | | |
|--|---------|--|---|---|
|  | | PREPARED BY A. LYNN MILLER 1070 TECHNOLOGY DRIVE N. VENICE, FL 34275 (941) 480-1600 | |  |
| WINDOOR INCORPORATED 104 TRIPLE DIAMOND BLVD. NORTH VENICE, FL 34275 (833) 554-5432 | | COPYRIGHT © 2021 WINDOOR INC. LIMITED LICENSE TO MAKE COPIES FOR PERMITTING. | | |
| Series | Rev. | Desc. | Title | Date |
| | | | ALUMINUM SLIDING GLASS DOOR - TDI | 11/18/18 |
| | | | NOTES | Drawn By: JENS ROSOWSKI |
| | | | REV CODE YEAR, ADD ANCHOR TYPE - JR - 6/25/21 | |
| Sheet | DWG No. | Rev. No. | | |
| SGD7000 | 1 OF 14 | 7000TDI-1 | A | |


 A. LYNN MILLER, P.E.
 P.E.# 106954

INSTALLATION NOTES:

1) WOOD FRAMING AND MASONRY OPENING TO BE DESIGNED AND ANCHORED TO PROPERLY TRANSFER ALL LOADS TO STRUCTURE. FRAMING AND MASONRY OPENING IS THE RESPONSIBILITY OF THE ARCHITECT OR ENGINEER OF RECORD.

2) 1X BUCK OVER MASONRY/CONCRETE IS OPTIONAL.

3) WHERE SHIM OR BUCK THICKNESS IS LESS THAN 1-1/2" DOOR UNITS MUST BE ANCHORED THROUGH THE FRAME IN ACCORDANCE WITH MANUFACTURER'S PUBLISHED INSTALLATION INSTRUCTIONS. ANCHORS SHALL BE SECURELY FASTENED DIRECTLY INTO MASONRY, CONCRETE OR OTHER STRUCTURAL SUBSTRATE MATERIAL.

4) WHERE WOOD BUCK THICKNESS IS 1-1/2" OR GREATER, BUCK SHALL BE SECURELY FASTENED TO MASONRY, CONCRETE OR OTHER STRUCTURAL SUBSTRATE. DOOR UNITS MAY BE ANCHORED THROUGH FRAME TO SECURED WOOD BUCK IN ACCORDANCE WITH MANUFACTURER'S PUBLISHED INSTALLATION INSTRUCTIONS.

5) IF SILL IS TIGHT TO SUBSTRATE, GROUT OR OTHER MATERIAL IS NOT REQUIRED. IF USED, NON-SHRINK, NON-METALLIC GROUT, MAX. 1/4" THICK & 3400 PSI MIN., (DONE BY OTHERS) MUST FULLY SUPPORT THE ENTIRE LENGTH OF THE SILL THAT IS NOT TIGHT TO THE SUBSTRATE, AND TRANSFER SHEAR LOAD TO SUBSTRATE. IF SUBSTRATE IS WOOD, 30# FELT PAPER OR MASTIC IS REQUIRED BETWEEN THE GROUT AND WOOD SUBSTRATE, OR AS APPROVED BY THE AUTHORITY HAVING JURISDICTION.

6) BUCKS SHALL EXTEND BEYOND DOOR INTERIOR FACE SO THAT FULL FRAME SUPPORT IS PROVIDED.

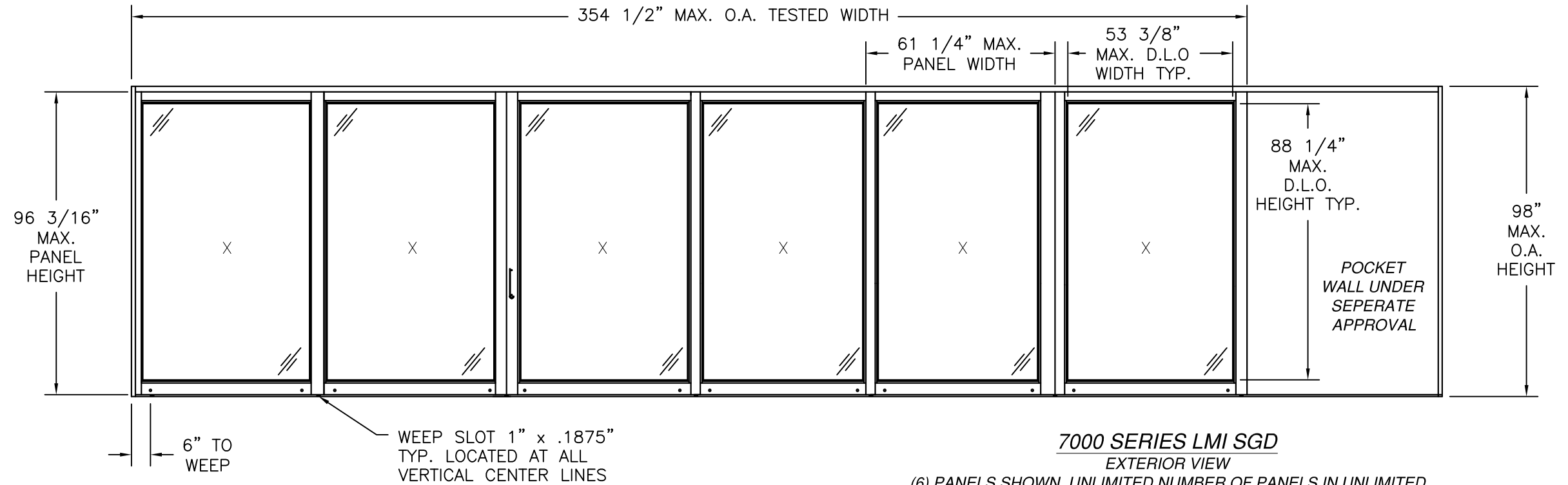
7) SHIM AS REQUIRED AT EACH ANCHOR LOCATION WITH LOAD BEARING SHIM. SHIM WHERE SPACE OF 1/16" OR GREATER OCCURS. MAXIMUM ALLOWABLE SHIM STACK TO BE 1/4".

8) SHIMS SHALL BE LOCATED, APPLIED AND MADE FROM MATERIALS AND THICKNESS CAPABLE OF SUSTAINING APPLICABLE LOADS.

9) FOR ANCHORING THROUGH FRAME INTO WOOD FRAMING OR 2X BUCK USE #12 WOOD SCREWS WITH SUFFICIENT LENGTH TO ACHIEVE A 1-3/8" MINIMUM EMBEDMENT INTO SUBSTRATE. LOCATE ANCHORS AS SHOWN IN ELEVATIONS AND INSTALLATION DETAILS.

10) FOR ANCHORING THROUGH FRAME INTO MASONRY/CONCRETE USE 1/4" ELCO CRETE-FLEX TAPCONS WITH SUFFICIENT LENGTH TO ACHIEVE A 1 1/4" MINIMUM EMBEDMENT INTO SUBSTRATE WITH 2 1/2" MINIMUM EDGE DISTANCE. LOCATE ANCHORS AS SHOWN IN ELEVATIONS AND INSTALLATION DETAILS.

11) FOR ANCHORING THROUGH FRAME INTO METAL STRUCTURE USE #12 SMS OR SELF DRILLING SCREWS WITH SUFFICIENT LENGTH TO ACHIEVE 3 THREADS MINIMUM BEYOND STRUCTURE INTERIOR WALL. LOCATE ANCHORS AS SHOWN IN ELEVATIONS AND INSTALLATION DETAILS.



7000 SERIES LMI SGD

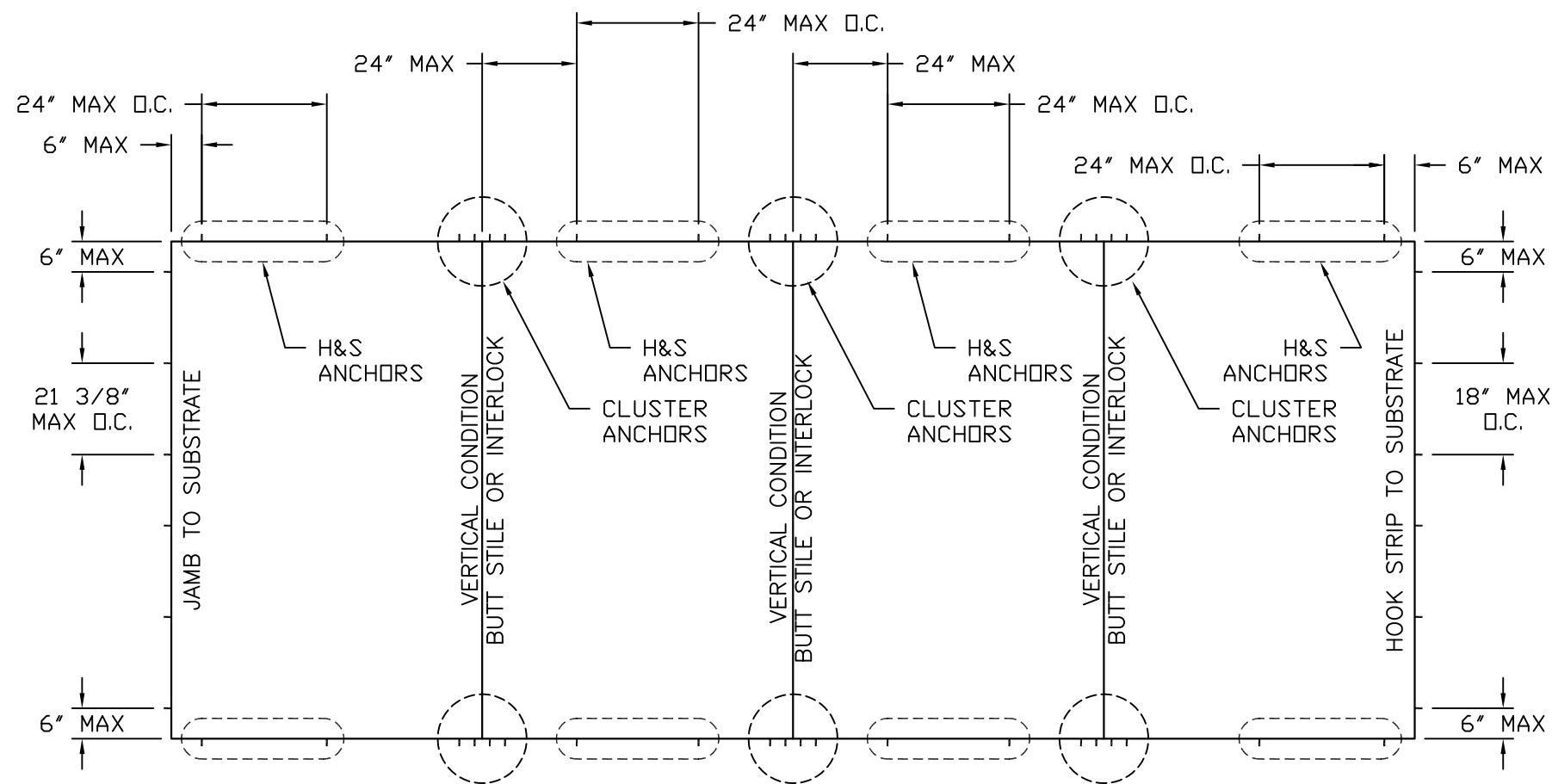
EXTERIOR VIEW

(6) PANELS SHOWN. UNLIMITED NUMBER OF PANELS IN UNLIMITED CONFIGURATIONS IS APPLICABLE AS LONG AS INDIVIDUAL PANEL SIZE DOES NOT EXCEED MAXIMUM PANEL SIZE AND USE VERTICAL CONDITIONS AS SHOWN.

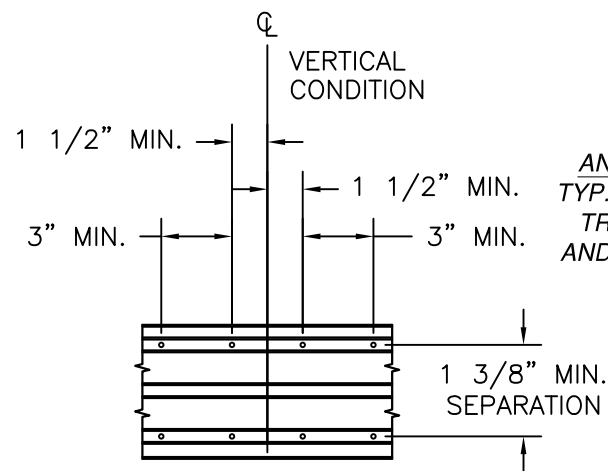
| | | | |
|--|------------|--|---------------|
| WinDoor [®] INCORPORATED | | PREPARED BY A. LYNN MILLER 1070 TECHNOLOGY DRIVE N. VENICE, FL 34275 (941) 480-1600 | |
| WINDOOR INCORPORATED 104 TRIPLE DIAMOND BLVD. NORTH VENICE, FL 34275 (833) 554-5432 | | COPYRIGHT © 2021 WINDOOR INC. LIMITED LICENSE TO MAKE COPIES FOR PERMITTING. | |
| Series | Rev. Desc. | Title | Date |
| SGD7000 | | ALUMINUM SLIDING GLASS DOOR - TDI ELEVATION | 11/18/18 |
| Sheet | 2 OF 14 | Drawn By | JENS ROSOWSKI |
| DWG No. | 7000TDI-1 | Rev. No. | A |

ANTHONY LYNN MILLER
106954
LICENSED PROFESSIONAL ENGINEER

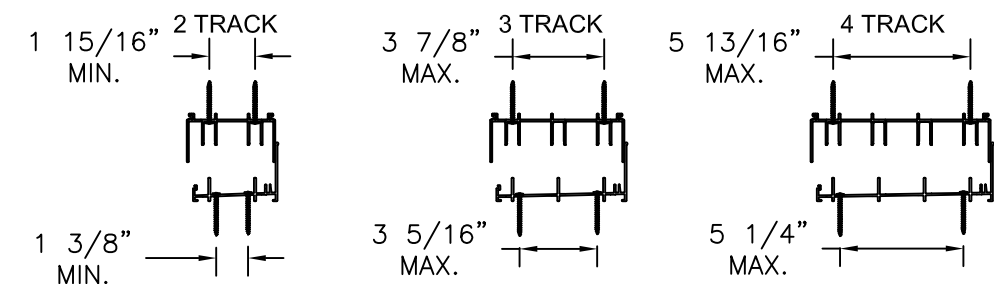
A. Lynn Miller 9/16/21
A. LYNN MILLER, P.E.
P.E.# 106954



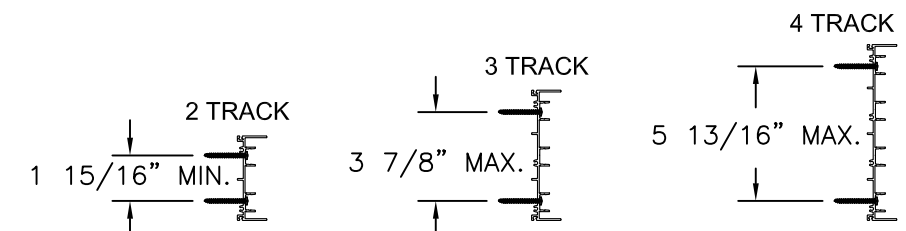
ANCHORING LAYOUT NON-REINFORCED AND REINFORCED UNITS
 4 PANEL UNIT SHOWN, APPLICABLE TO ALL CONFIGURATIONS USING SAME ANCHOR CLUSTER AND PATTERN



ANCHOR CLUSTER DETAIL
 TYP. 2 TRACK, 3 TRACK AND 4 TRACK NON-REINFORCED AND REINFORCED AT HEAD & SILL (ANCHORAGE IN EXTERIOR TRACKS)

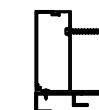


ANCHORAGE LOCATIONS NON-REINFORCED AND REINFORCED AT HEAD AND SILL. (FOR FURTHER DETAILS SEE SHEETS 10, 11 AND 12)



ANCHORAGE LOCATIONS NON-REINFORCED AND REINFORCED AT JAMBS. (FOR FURTHER DETAILS SEE SHEETS 10, 11 & 12)

POCKET





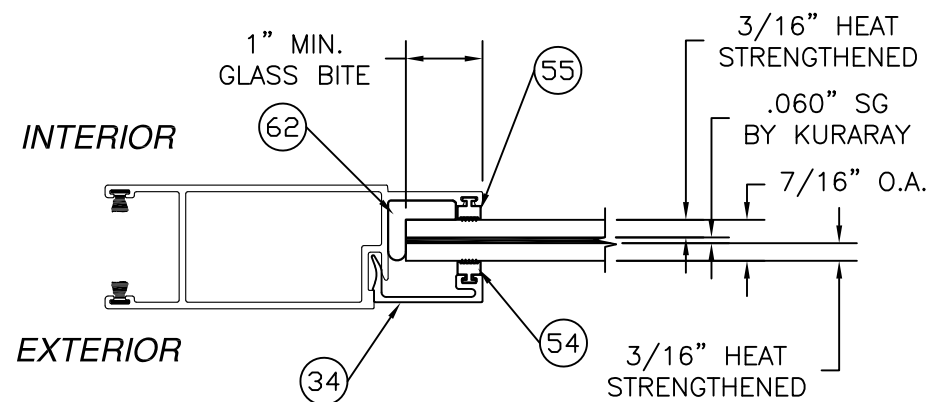
ANCHORAGE LOCATIONS NON-REINFORCED AND REINFORCED AT HOOK STRIP. (FOR FURTHER DETAILS SEE SHEETS 10, 11 & 12)

| | | | | |
|--|------------------|--|---------------|--|
| | | PREPARED BY A. LYNN MILLER 1070 TECHNOLOGY DRIVE N. VENICE, FL 34275 (941) 480-1600 | | |
| WINDOOR INCORPORATED 104 TRIPLE DIAMOND BLVD. NORTH VENICE, FL 34275 (833) 554-5432 | | COPYRIGHT © 2021 WINDOOR INC. LIMITED LICENSE TO MAKE COPIES FOR PERMITTING. | | |
| ALUMINUM SLIDING GLASS DOOR - TDI | | Date 11/18/18 | | A. Lynn Miller 9/16/21 A. LYNN MILLER, P.E. P.E.# 106954 |
| ANCHORING LAYOUT & NOTES | | Drawn By JENS ROSOWSKI | | |
| Series SGD7000 | Sheet 3 OF 14 | DWG No. 7000TDI-1 | Rev. No. A | |

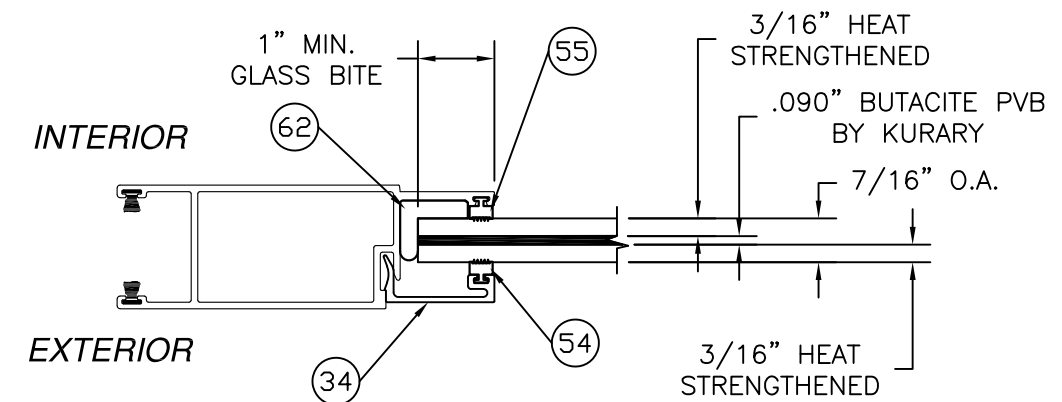
| PARTS LIST | | | | |
|------------|--------------|-----------------------------|--------------|------------------|
| NO. | PART NUMBER | DESCRIPTION | MANUFACTURER | MATERIAL |
| 1 | FS-04522 | 2T FRAME HEAD | KEYMARK | ALUMINUM 6063-T6 |
| 2 | FS-04531 | 2T FRAME JAMB | KEYMARK | ALUMINUM 6063-T6 |
| 3 | FS-04525 | 2T SILL PAN W/2 1/2" RISER | KEYMARK | ALUMINUM 6063-T6 |
| 4 | FS-04526 | 2T SILL PAN W/3 1/8" RISER | KEYMARK | ALUMINUM 6063-T6 |
| 5 | FS-04529 | 2T FRAME SILL PAN INSERT | KEYMARK | ALUMINUM 6063-T6 |
| 6 | FS-04511 | 3T FRAME HEAD | KEYMARK | ALUMINUM 6063-T6 |
| 7 | FS-04510 | 3T FRAME JAMB | KEYMARK | ALUMINUM 6063-T6 |
| 8 | FS-04506 | 3T SILL PAN W/2 1/2" RISER | KEYMARK | ALUMINUM 6063-T6 |
| 9 | FS-04507 | 3T SILL PAN W/3 1/8" RISER | KEYMARK | ALUMINUM 6063-T6 |
| 10 | FS-04508 | 3T FRAME SILL PAN INSERT | KEYMARK | ALUMINUM 6063-T6 |
| 11 | FS-04523 | 4T FRAME HEAD | KEYMARK | ALUMINUM 6063-T6 |
| 12 | FS-04532 | 4T FRAME JAMB | KEYMARK | ALUMINUM 6063-T6 |
| 13 | FS-04527 | 4T SILL PAN W/2 1/2" RISER | KEYMARK | ALUMINUM 6063-T6 |
| 14 | FS-04528 | 4T SILL PAN W/3 1/8" RISER | KEYMARK | ALUMINUM 6063-T6 |
| 15 | FS-04530 | 4T FRAME SILL PAN INSERT | KEYMARK | ALUMINUM 6063-T6 |
| 16 | FS-04313 | FRAME HEAD TRACK COVER | KEYMARK | ALUMINUM 6063-T6 |
| 17 | FS-04501 | RECESSED JAMB TRACK COVER | KEYMARK | ALUMINUM 6063-T6 |
| 18 | FS-04509 | FLUSH JAMB COVER | KEYMARK | ALUMINUM 6063-T6 |
| 19 | FS-03684 | HOOK STRIP BASE | KEYMARK | ALUMINUM 6063-T6 |
| 20 | FS-04476 | HOOK STRIP WALL COVER | KEYMARK | ALUMINUM 6063-T6 |
| 21 | FS-04477 | HOOK STRIP WALL MOUNT | KEYMARK | ALUMINUM 6063-T6 |
| 22 | FS-04535 | PANEL STOP SILL COVER | KEYMARK | ALUMINUM 6063-T6 |
| 23 | FS-04332 | PANEL STOP HEAD COVER | KEYMARK | ALUMINUM 6063-T6 |
| 24 | FS-04631 | TOP AND BOTTOM RAIL | KEYMARK | ALUMINUM 6063-T6 |
| 25 | FS-04327 | PANEL LOCK/PLAIN STILE | KEYMARK | ALUMINUM 6063-T6 |
| 26 | FS-04516 | PANEL INTERLOCK STILE LEFT | KEYMARK | ALUMINUM 6063-T6 |
| 27 | FS-04515 | PANEL INTERLOCK STILE RIGHT | KEYMARK | ALUMINUM 6063-T6 |
| 28 | FS-04789 | MALE BUTT STILE | KEYMARK | ALUMINUM 6063-T6 |
| 29 | FS-04790 | LOCKING BUTT STILE | KEYMARK | ALUMINUM 6063-T6 |
| 30 | FS-04505 | INTERIOR FIXED BUTT STILE | KEYMARK | ALUMINUM 6063-T6 |
| 31 | FS-04504 | EXTERIOR FIXED BUTT STILE | KEYMARK | ALUMINUM 6063-T6 |
| 32 | FS-04503 | INTERLOCK REINFORCING BAR | KEYMARK | ALUMINUM 6063-T6 |
| 33 | FS-04312 | BUTT STILE/INTERLOCK COVER | KEYMARK | ALUMINUM 6063-T6 |
| 34 | FS-04533 | 9/16" GLASS STOP | KEYMARK | ALUMINUM 6063-T6 |
| 35 | FS-04524 | 3/4" GLASS STOP | KEYMARK | ALUMINUM 6063-T6 |
| 36 | 5000 SS PDR | TANDEM ROLLER SS | | |
| 37 | 2186MI-INT | TRADITIONAL INTERNAL HANDLE | | |
| 38 | 2186MI-DM | TRADITIONAL EXTERIOR HANDLE | | |
| 39 | 7014 SS DLPA | DUAL POINT MORTISE LOCK SET | | |

| PARTS LIST | | | | |
|------------|------------------|---------------------------------|--------------------|------------------|
| NO. | PART NUMBER | DESCRIPTION | MANUFACTURER | MATERIAL |
| 40 | OW11023BOR750375 | RUBBER PANEL BUMPER | | |
| 41 | V-INT TP 876 | INTERLOCL BUMPER | | |
| 42 | | #8 x 1 1/4" SQ. DRIVE SCREW | | 18-8 STAINLESS |
| 43 | PJS-7623-09-SN | SCREEN ROLLER | SULLIVAN | |
| 44 | | GLAZING, SEE SHT. 4 FOR DETAILS | | ALUMINUM 6063-T6 |
| 45 | | #8 x 1/4" PH TYPE F SCREW | | STAINLESS STEEL |
| 46 | | #8 x 3/4" PH TEK SCREW | | 410 STAINLESS |
| 47 | | #10 x 1 1/4" SQ. DRIVE SCREW | | 18-8 STAINLESS |
| 48 | | #7 x 1" PH TYP F SCREW | | STAINLES STEEL |
| 49 | | #10 x 1" PH TEK SCREW | | ALUMINUM 6063-T6 |
| 50 | | #10 CUT THREAD WOOD SCREW | | |
| 51 | | 3/16" TITEN TTN MASONRY SCREW | SIMPSON STRONG TIE | CARBON STAINLESS |
| 52 | FH-02300 | WS SCREEN BOTTOM RAIL | KEYMARK | ALUMINUM 6063-T6 |
| 53 | FH-02300 | WS SCREEN TOP RAIL | KEYMARK | ALUMINUM 063-T6 |
| 54 | GS-VN-07A | 3/16" GLASS STOP VINYL | | VINYL |
| 55 | GS-VN-06A | 1/4" GLASS STOP VINYL | | VINYL |
| 56 | GS-VN-05A | 3/4" GLASS STOP VINYL & FIXED | | VINYL |
| 57 | FH-02395 | WS SCREEN STILE | KEYMARK | ALUMINUM 6063-T6 |
| 58 | W332217K0000 | .220" FIN WEATHERSTRIP | | |
| 59 | W234017K0000 | .400" FIN WEATHERSTRIP | | |
| 60 | W333517K0000 | .350" FIN WEATHERSTRIP | | |
| 61 | | GLASS SETTING BLOCK | | |
| 62 | VARIES | SIKA 552, DOW-791/983 BCKBDG | - | - |
| 63 | | SILICONE CAULK | PECORA | SILICONE |
| 64 | | WEEP COVER/GATE | | |
| 65 | | #8 x 3/8" PH TYPE F SCREW | | STAINLESS STEEL |
| 66 | | #8 x 3/4" PH TEX SCREW | | STAINLESS STEEL |
| 67 | FS-02209 | WS SCREEN SWEEP | KEYMARK | ALUMINUM 6063-T6 |
| 68 | SGD200 | SCREEN HANDLE & LOCK | SULIVAN | |
| 69 | | FIBERGLASS SCEEN MESH | | FIBERGLASS |
| 70 | | SCREEN SPLINE | | |

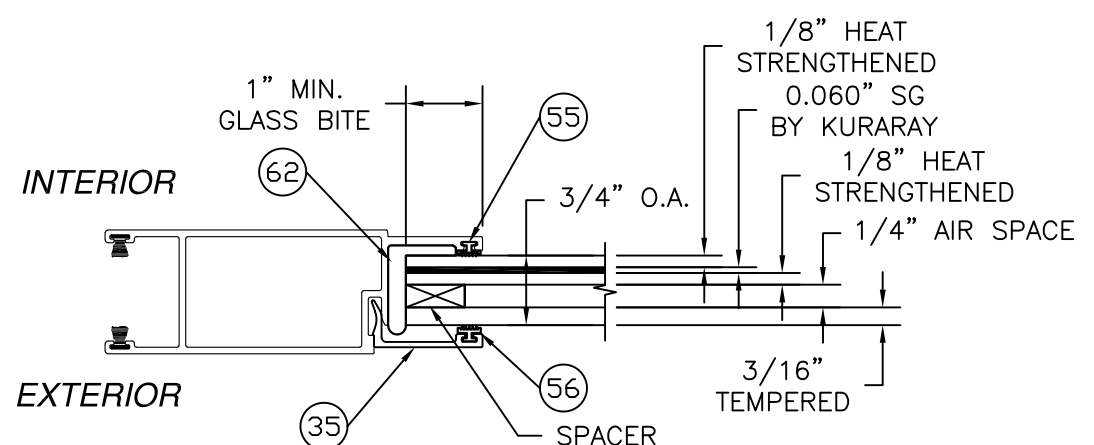
| | | | | |
|--|------------|--|---|----------|
|  <p>WINDOOR[®] INCORPORATED</p> <p>WINDOOR INCORPORATED 104 TRIPLE DIAMOND BLVD. NORTH VENICE, FL 34275 (833) 554-5432</p> | | <p>PREPARED BY A. LYNN MILLER 1070 TECHNOLOGY DRIVE N. VENICE, FL 34275 (941) 480-1600</p> <p>COPYRIGHT © 2021 WINDOOR INC. LIMITED LICENSE TO MAKE COPIES FOR PERMITTING.</p> |  <p>ANTHONY LYNN MILLER 106954 LICENSED PROFESSIONAL ENGINEER</p> <p><i>A. Lynn Miller</i> 9/16/21 A. LYNN MILLER, P.E. P.E.# 106954</p> | |
| <p>ALUMINUM SLIDING GLASS DOOR - TDI</p> <p>BILL OF MATERIALS</p> | | <p>11/18/18</p> <p>JENS ROSOWSKI</p> | | |
| Series | Rev. Desc. | Sheet | DWG No. | Rev. No. |
| SGD7000 | | 4 OF 14 | 7000TDI-1 | A |



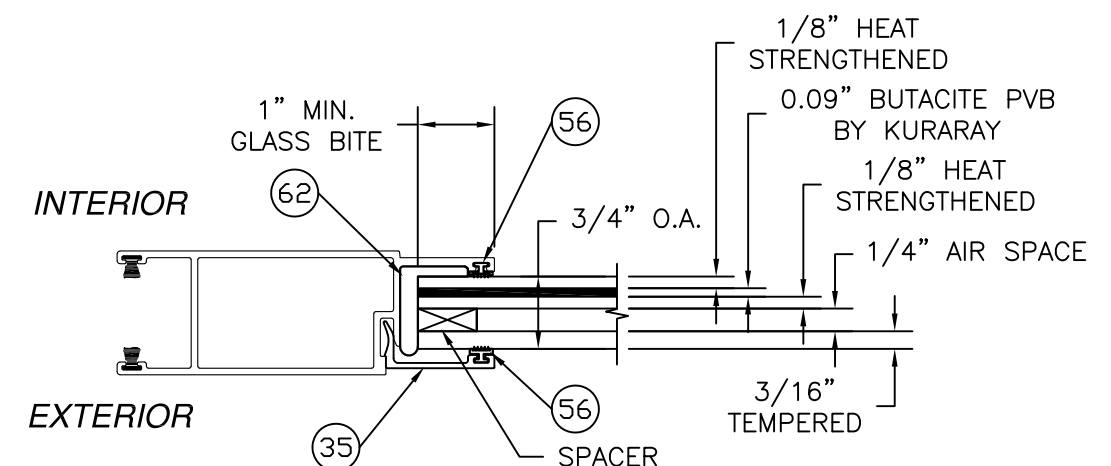
GLAZING TYPE A



GLAZING TYPE B

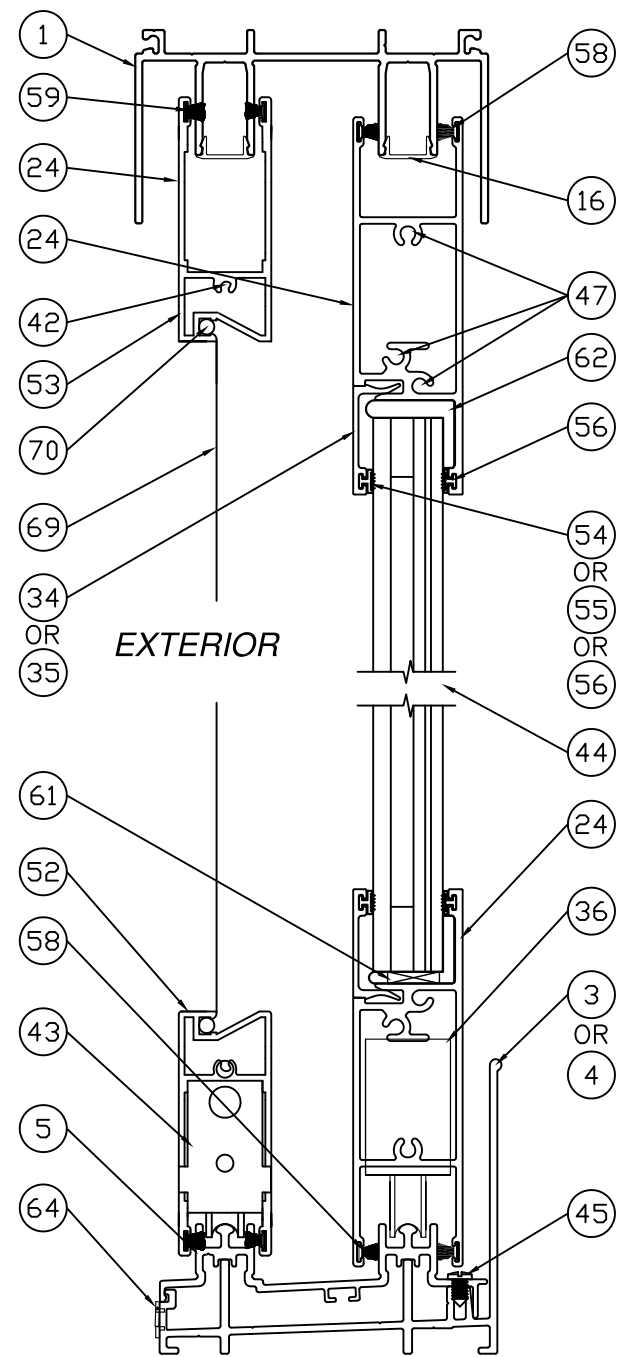


GLAZING TYPE C

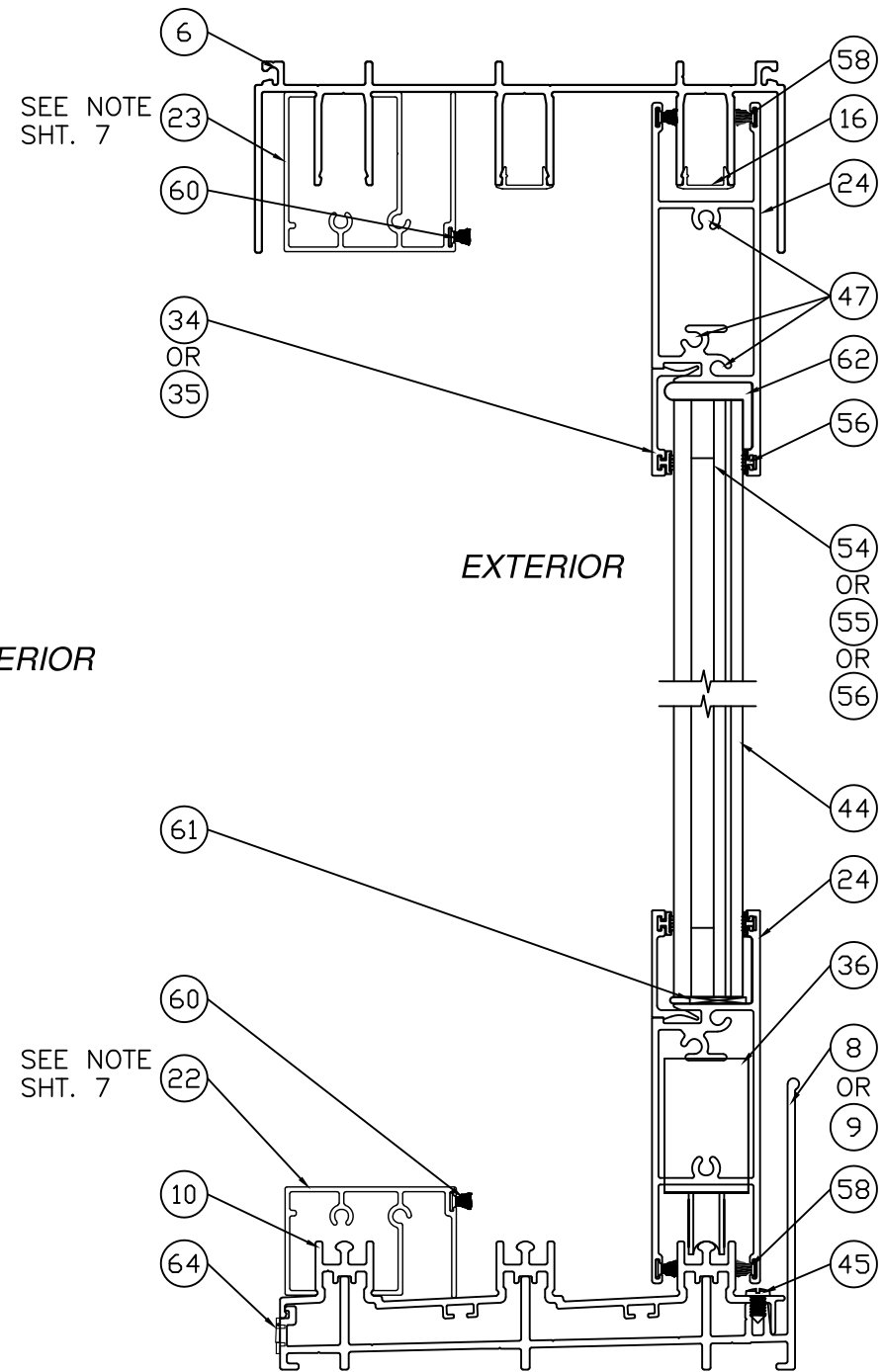


GLAZING TYPE D

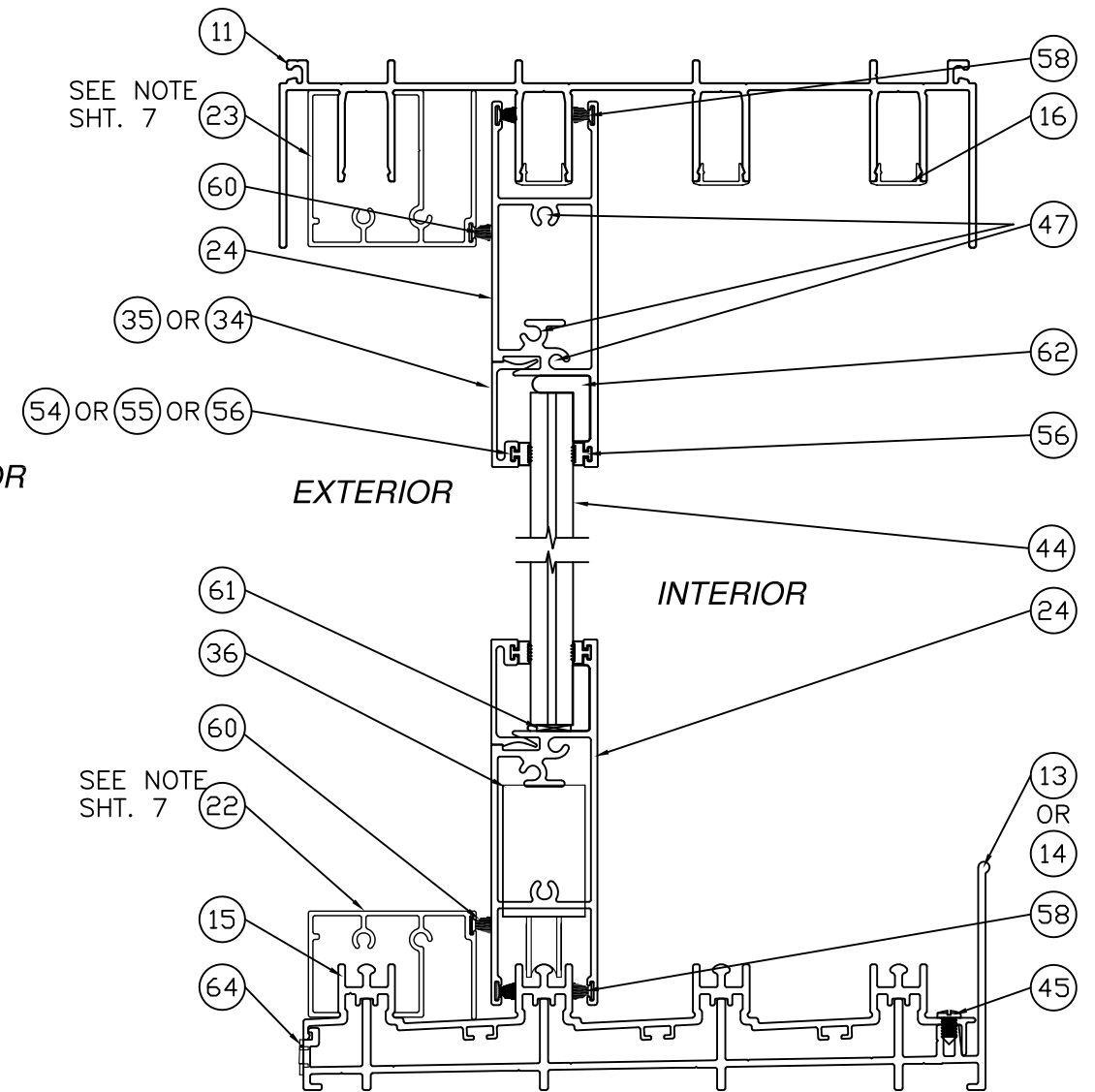
| | | | | |
|---|-------------------|--|----------------|--|
| <p>WinDoor[®] INCORPORATED</p> <p>WINDOOR INCORPORATED 104 TRIPLE DIAMOND BLVD. NORTH VENICE, FL 34275 (833) 554-5432</p> | | <p>PREPARED BY A. LYNN MILLER 1070 TECHNOLOGY DRIVE N. VENICE, FL 34275 (941) 480-1600</p> <p>COPYRIGHT © 2021 WINDOOR INC. LIMITED LICENSE TO MAKE COPIES FOR PERMITTING.</p> | | <p><i>A. Lynn Miller</i> 9/16/21 A. LYNN MILLER, P.E. P.E.# 106954</p> |
| <p>ALUMINUM SLIDING GLASS DOOR - TDI</p> | | <p>11/18/18</p> | | |
| <p>GLAZING DETAILS</p> | | <p>JENS ROSOWSKI</p> | | |
| <p>Series</p> | <p>Rev. Desc.</p> | <p>Sheet</p> | <p>DWG No.</p> | <p>Rev. No.</p> |
| <p>SGD7000</p> | <p>5 OF 14</p> | <p>7000TDI-1</p> | <p>A</p> | <p>A</p> |



VERTICAL CROSS SECTION A
2TRACK FRAME SYSTEM



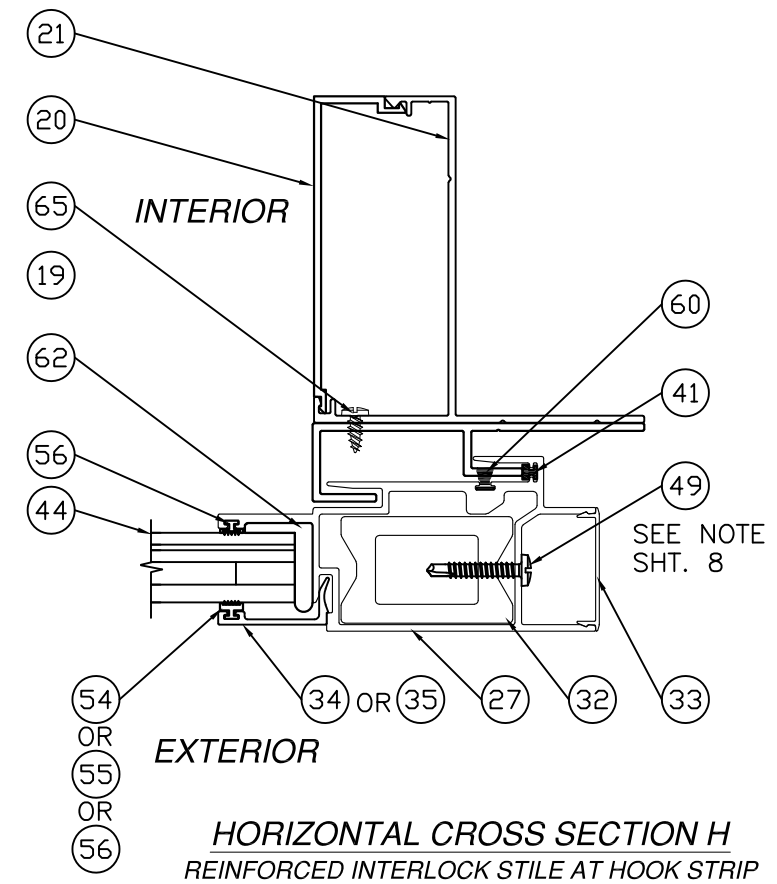
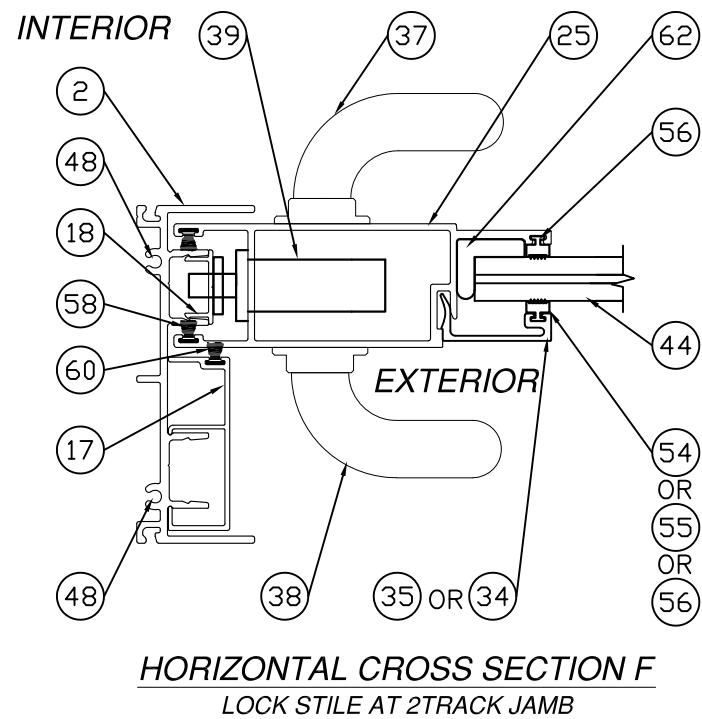
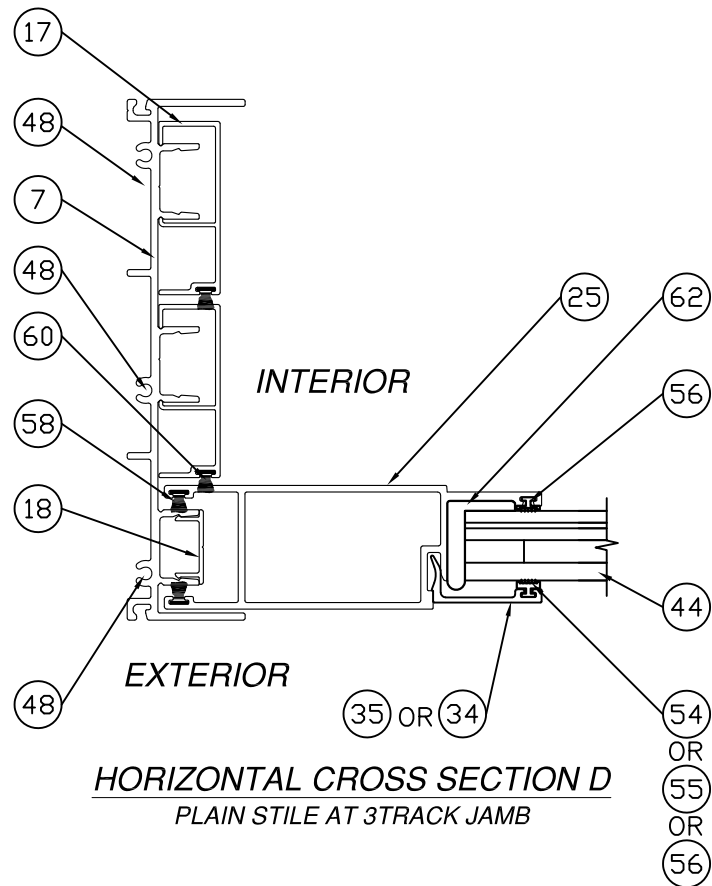
VERTICAL CROSS SECTION B
3TRACK FRAME SYSTEM



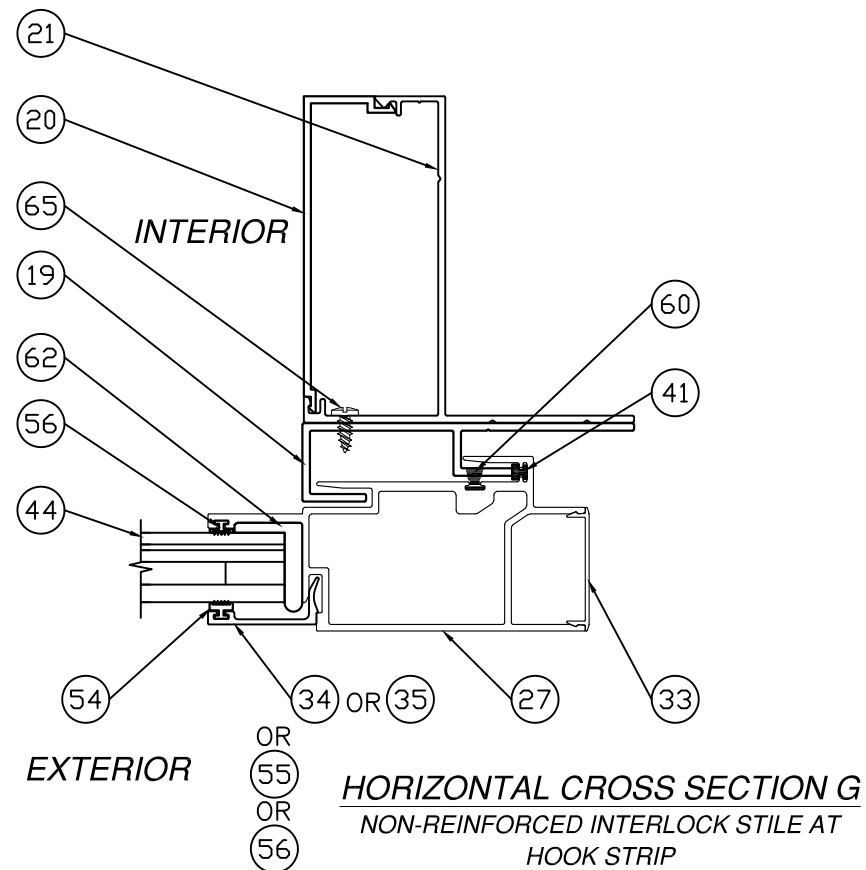
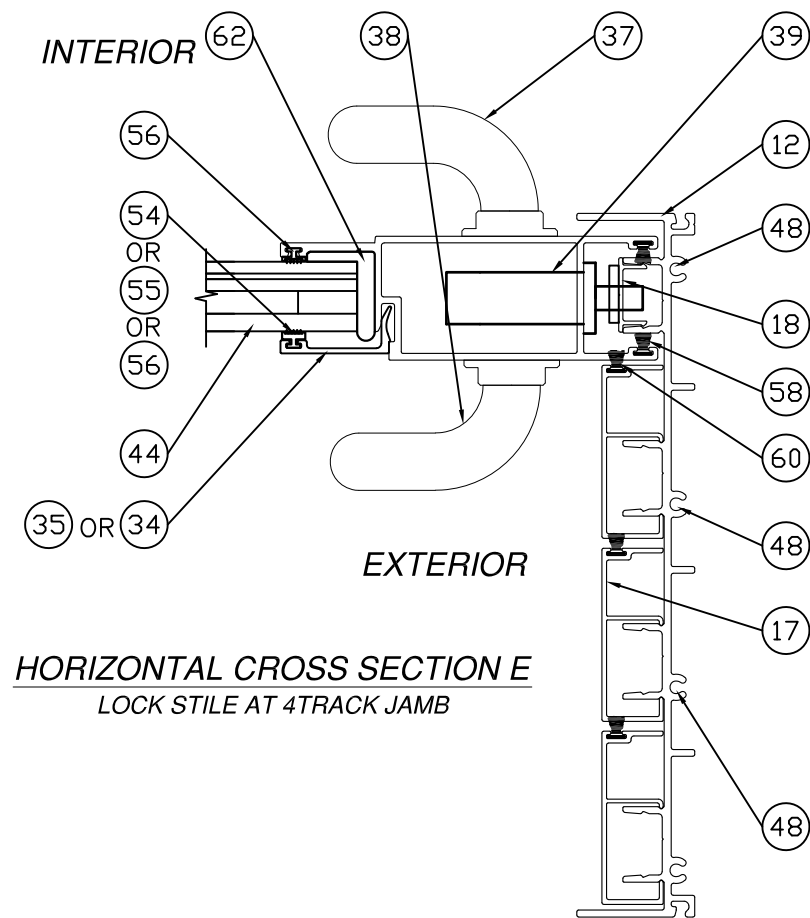
VERTICAL CROSS SECTION C
4TRACK FRAME SYSTEM

SCREEN NOTE:
WS SCREEN IS SHOWN ON 2TRACK UNIT. IT IS QUALIFIED TO
BE INSTALLED ON 3TRACK AND 4TRACK UNIT ALSO.

| | | | | |
|--|---------------|--|------------|--|
| | | PREPARED BY A. LYNN MILLER 1070 TECHNOLOGY DRIVE N. VENICE, FL 34275 (941) 480-1600 | | |
| WINDOOR INCORPORATED 104 TRIPLE DIAMOND BLVD. NORTH VENICE, FL 34275 (833) 554-5432 | | COPYRIGHT © 2021 WINDOOR INC. LIMITED LICENSE TO MAKE COPIES FOR PERMITTING. | | |
| ALUMINUM SLIDING GLASS DOOR - TDI | | Date 11/18/18 | | A. Lynn Miller A. LYNN MILLER, P.E. P.E.# 106954 |
| VERTICAL CROSS SECTIONS | | Drawn By JENS ROSOWSKI | | |
| Series SGD7000 | Sheet 6 OF 14 | DWG No. 7000TDI-1 | Rev. No. A | |

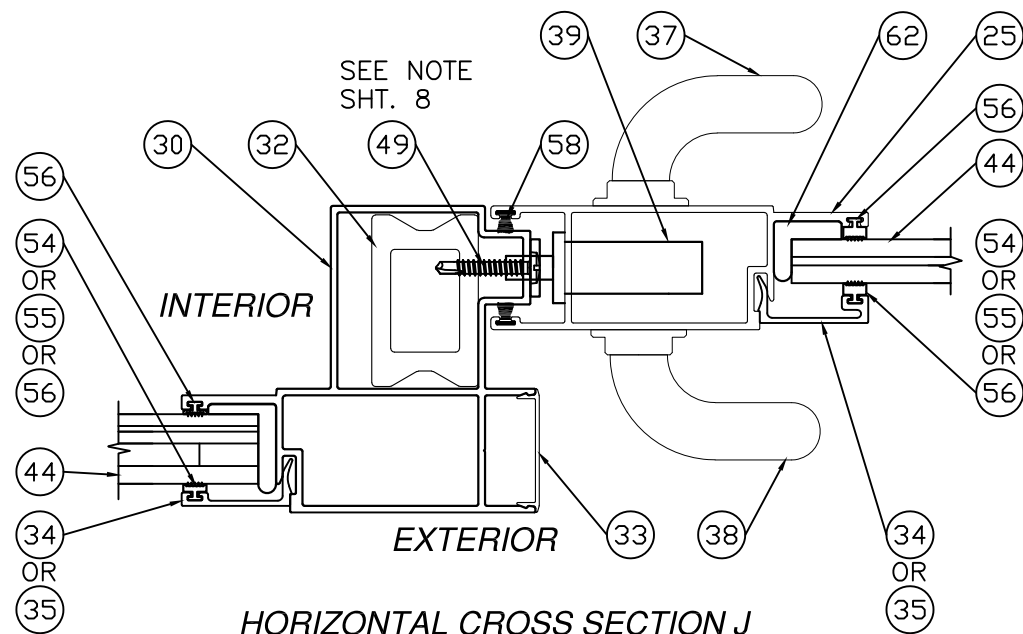


FIXED PANEL NOTE:
ITEM #22, PANEL STOP SILL COVER, AND ITEM #23, PANEL STOP HEAD COVER, ARE USED TO SECURE SINGLE OR MULTIPLE FIXED PANELS INTO PLACE. DEPENDING ON THE CONFIGURATION BEING INSTALLED ITEMS #22 AND #23 MAY BE REPLACED WITH ITEM #46, #8 x 3/4" PH TEK SCREW TO SECURE FIXED PANEL INTO PLACE. FIXED PANEL IS ATTACHED AT THREE LOCATIONS: 4" FROM EACH END AND ONE AT CENTER. EACH LOCATION HAS TWO FASTENERS. ONE FROM INSIDE AND ONE FROM OUTSIDE.

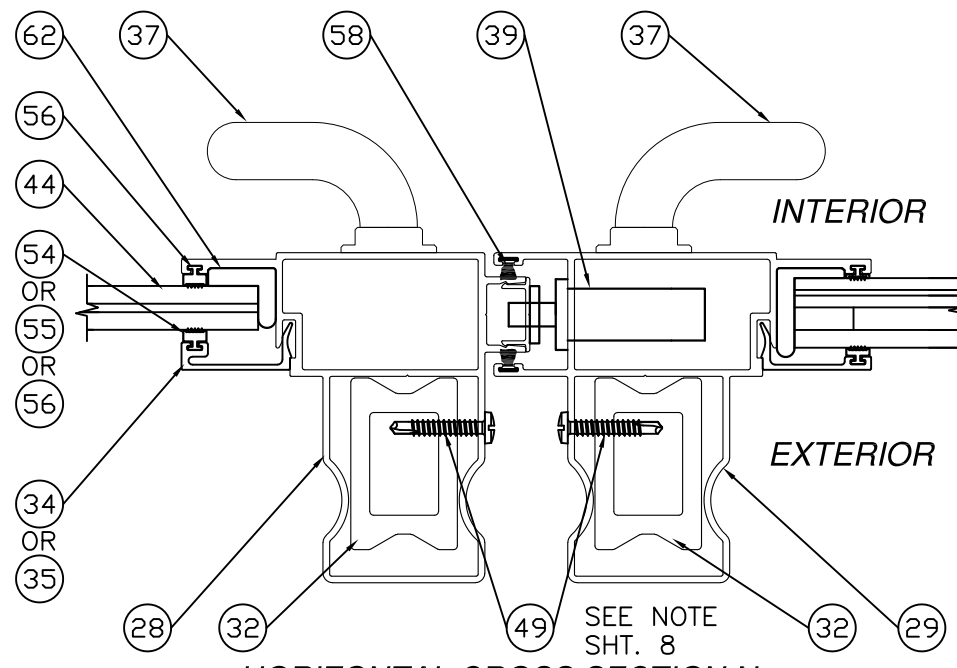


| | | | | |
|--|------------|--|----------|---------------|
| | | PREPARED BY A. LYNN MILLER 1070 TECHNOLOGY DRIVE N. VENICE, FL 34275 (941) 480-1600 | | |
| WINDOOR INCORPORATED 104 TRIPLE DIAMOND BLVD. NORTH VENICE, FL 34275 (833) 554-5432 | | COPYRIGHT © 2021 WINDOOR INC. LIMITED LICENSE TO MAKE COPIES FOR PERMITTING. | | |
| Series | Rev. Desc. | Title | Date | |
| | | ALUMINUM SLIDING GLASS DOOR - TDI | 11/18/18 | |
| | | VERTICAL CROSS SECTIONS | Drawn By | JENS ROSOWSKI |
| Sheet | DWG No. | Rev. No. | | |
| SGD7000 | 7 OF 14 | 7000TDI-1 | A | |

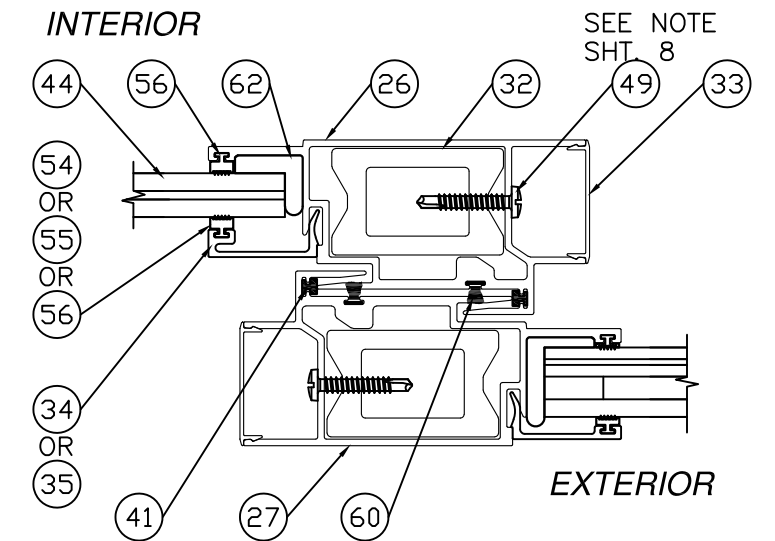
A. LYNN MILLER, P.E.
 P.E.# 106954



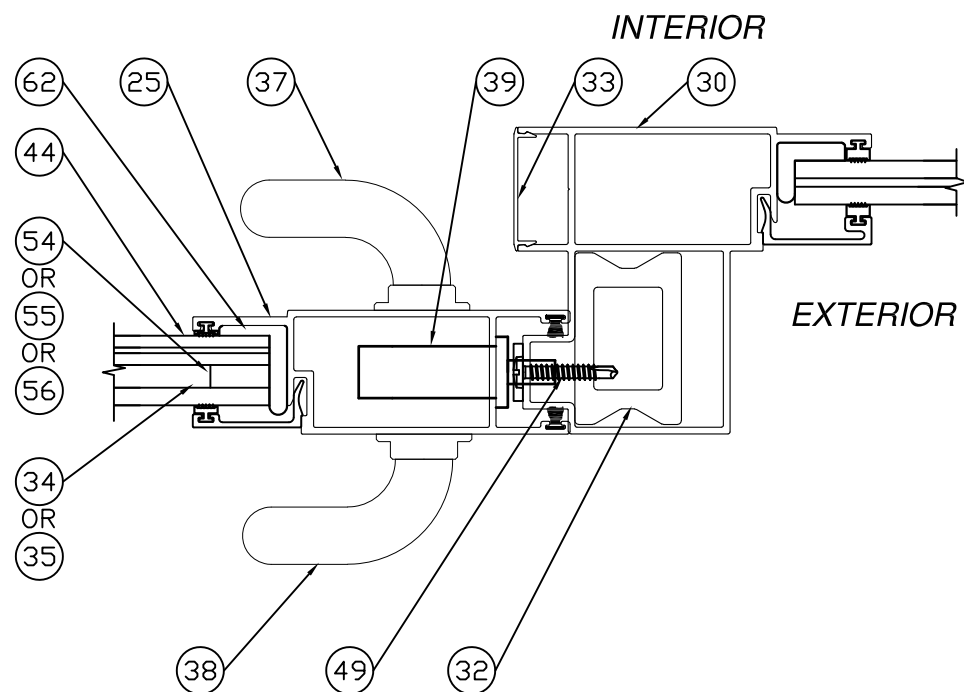
HORIZONTAL CROSS SECTION J
 REINFORCED INTERIOR FIXED BUTT STILE TO LOCK STILE



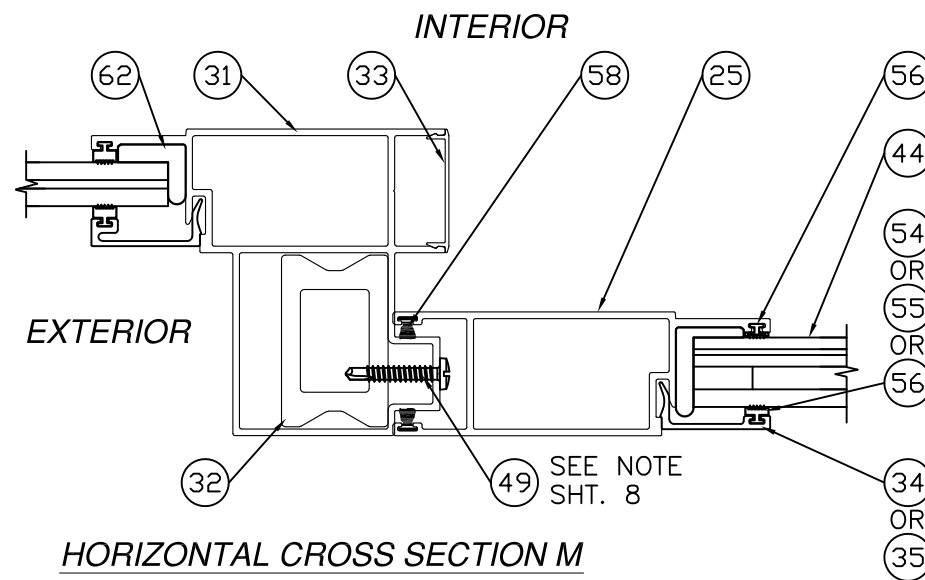
HORIZONTAL CROSS SECTION N
 REINFORCED MALE BUTT STILE TO REINFORCED
 LOCKING BUTT STILE



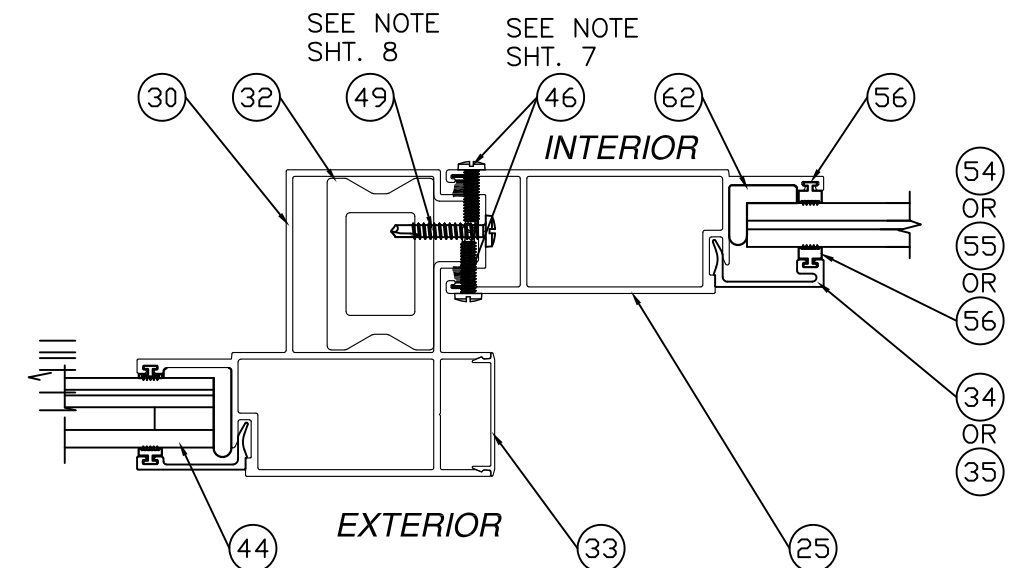
HORIZONTAL CROSS SECTION L
 REINFORCED INTERLOCK STILE TO REINFORCED INTERLOCK STILE



HORIZONTAL CROSS SECTION K
 LOCK STILE TO REINFORCED EXTERIOR FIXED BUTT STILE



HORIZONTAL CROSS SECTION M
 REINFORCED EXTERIOR FIXED BUTT STILE TO PLAIN STILE

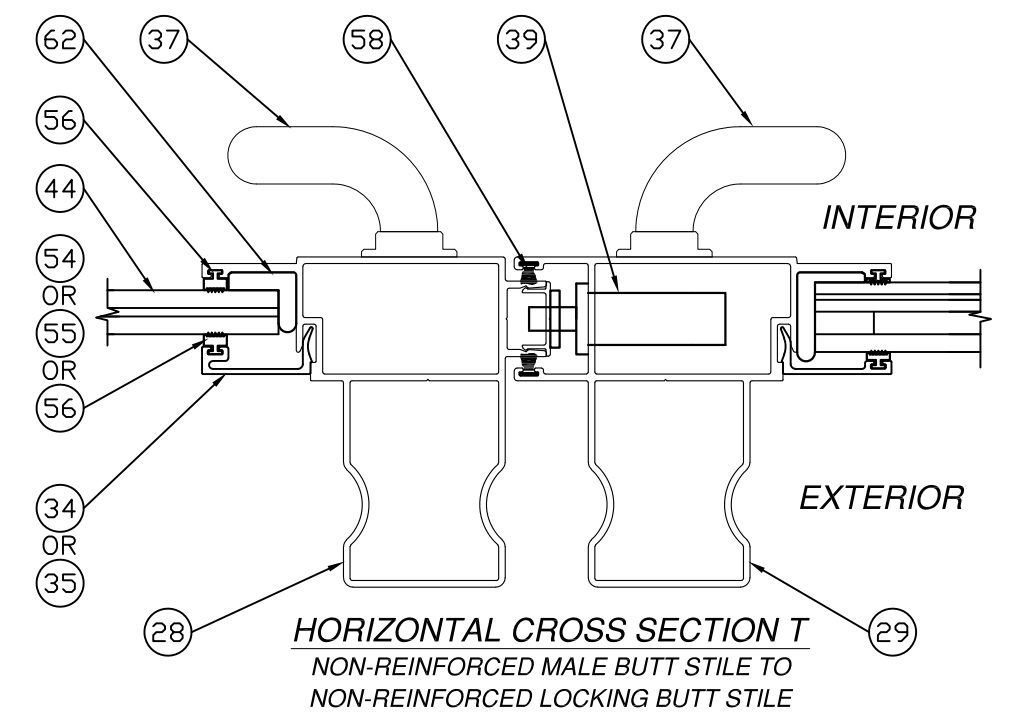
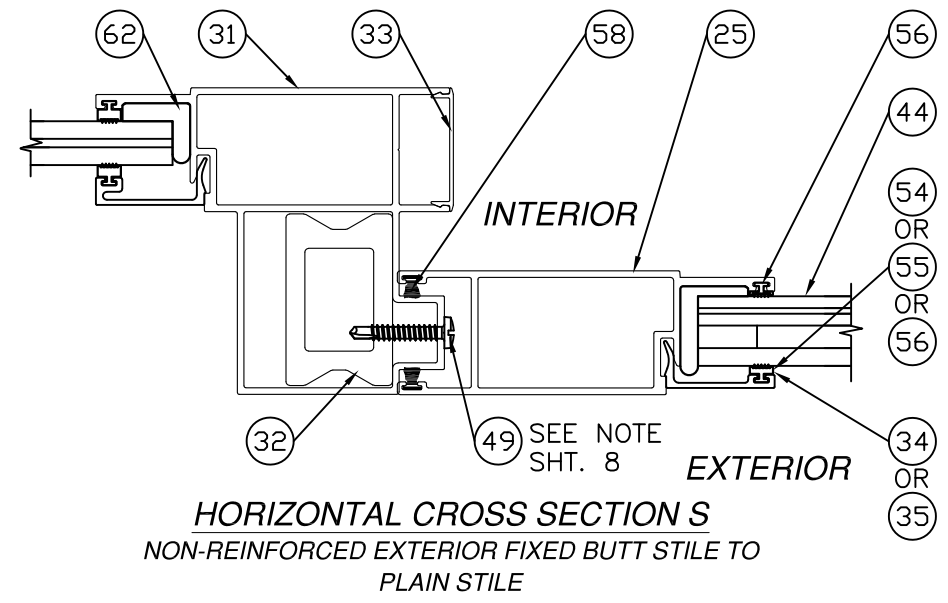
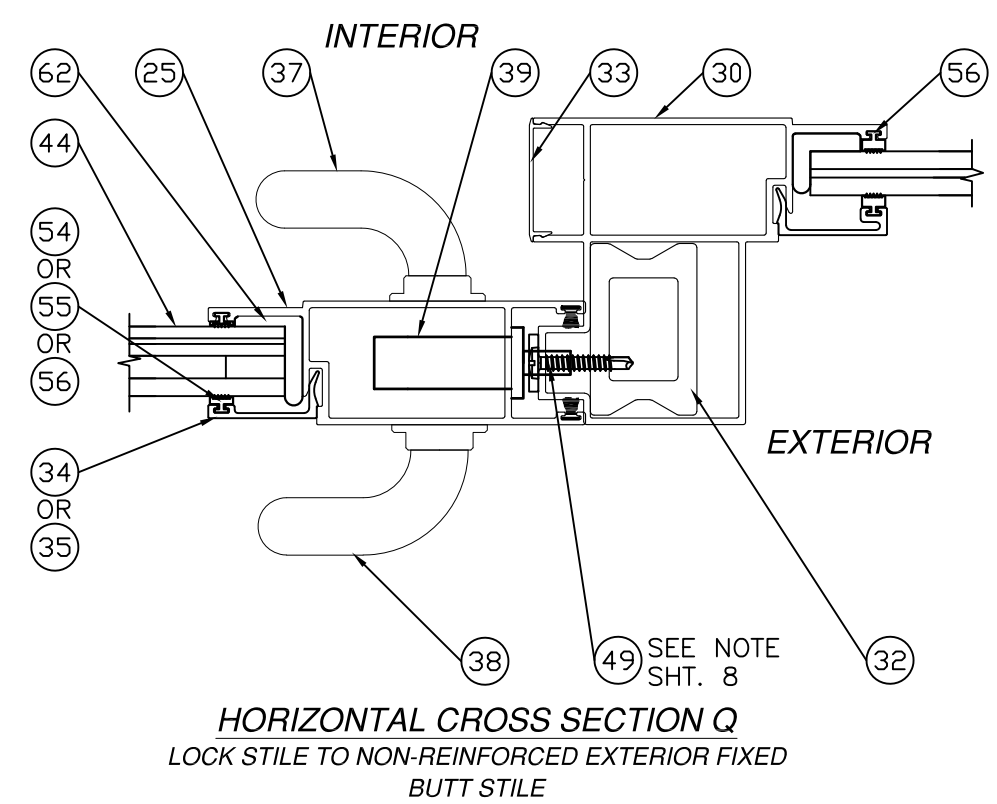
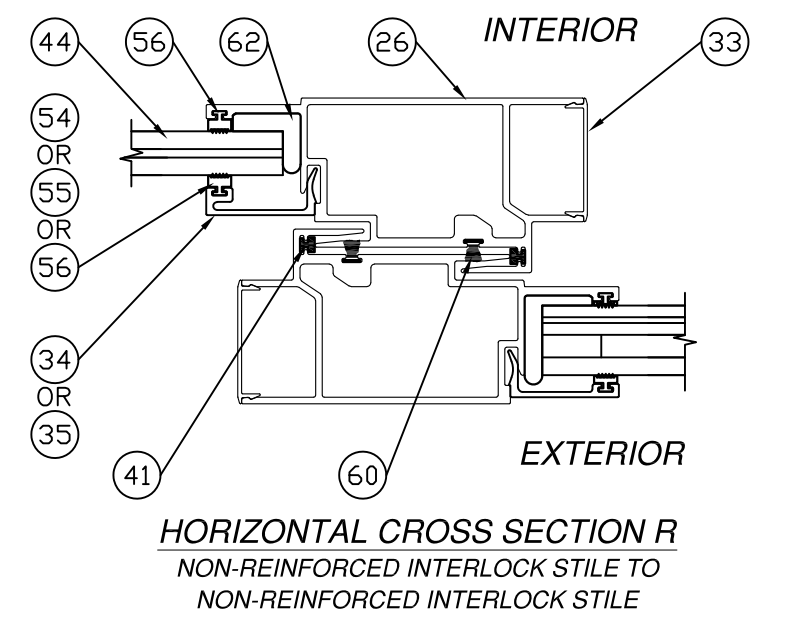
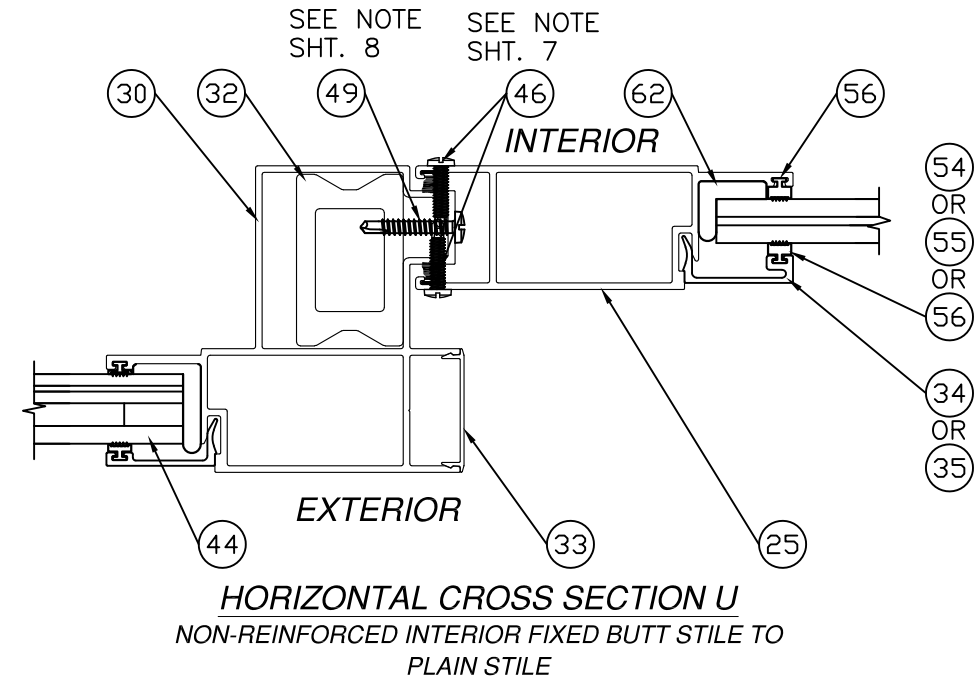
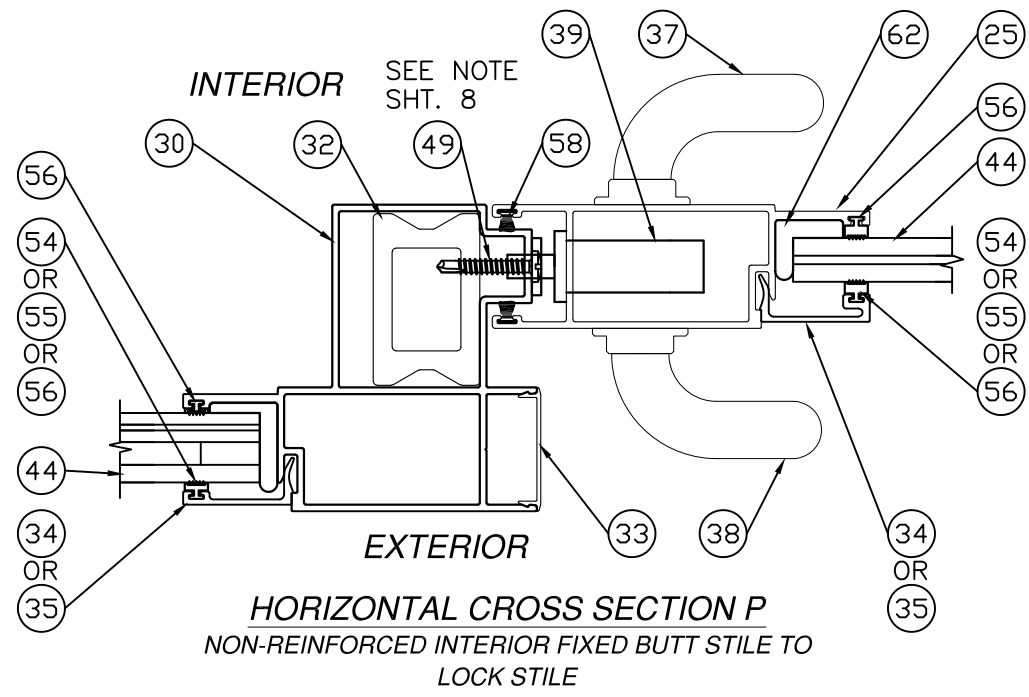


HORIZONTAL CROSS SECTION O
 REINFORCED INTERIOR FIXED BUTT STILE TO PLAIN STILE

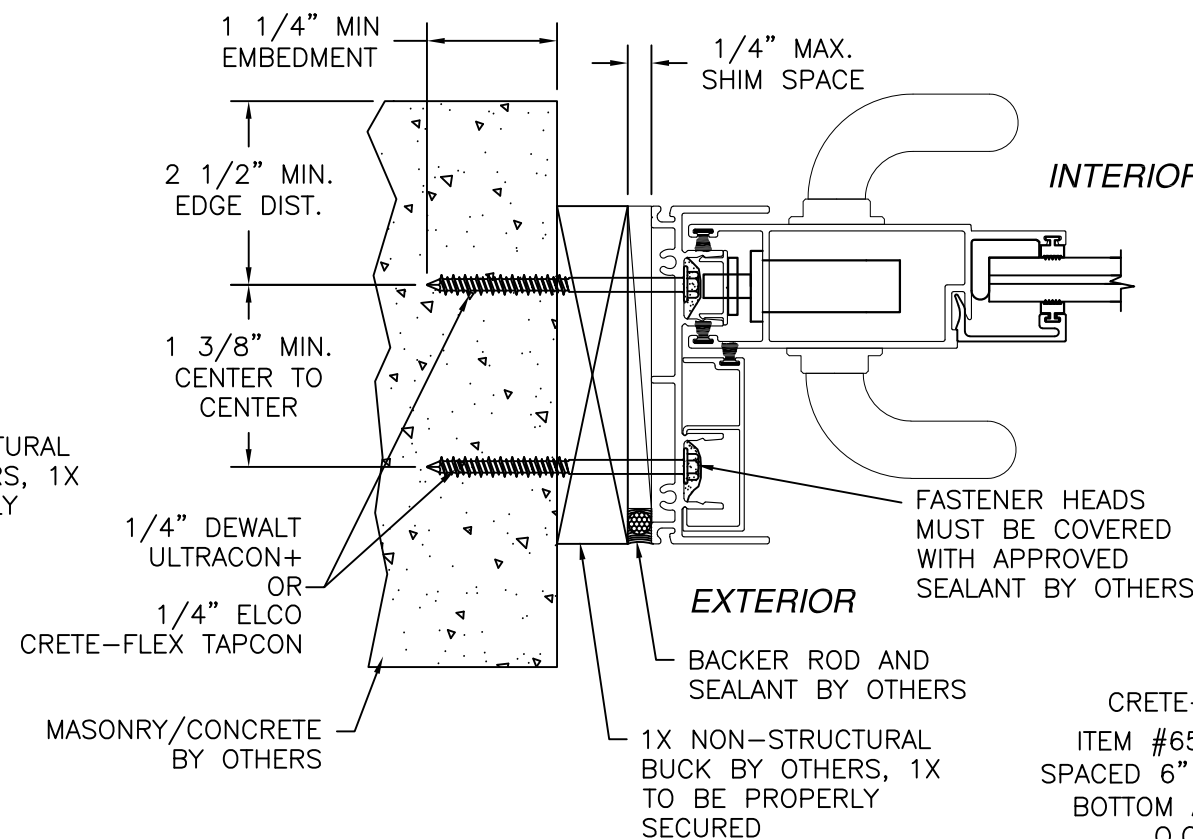
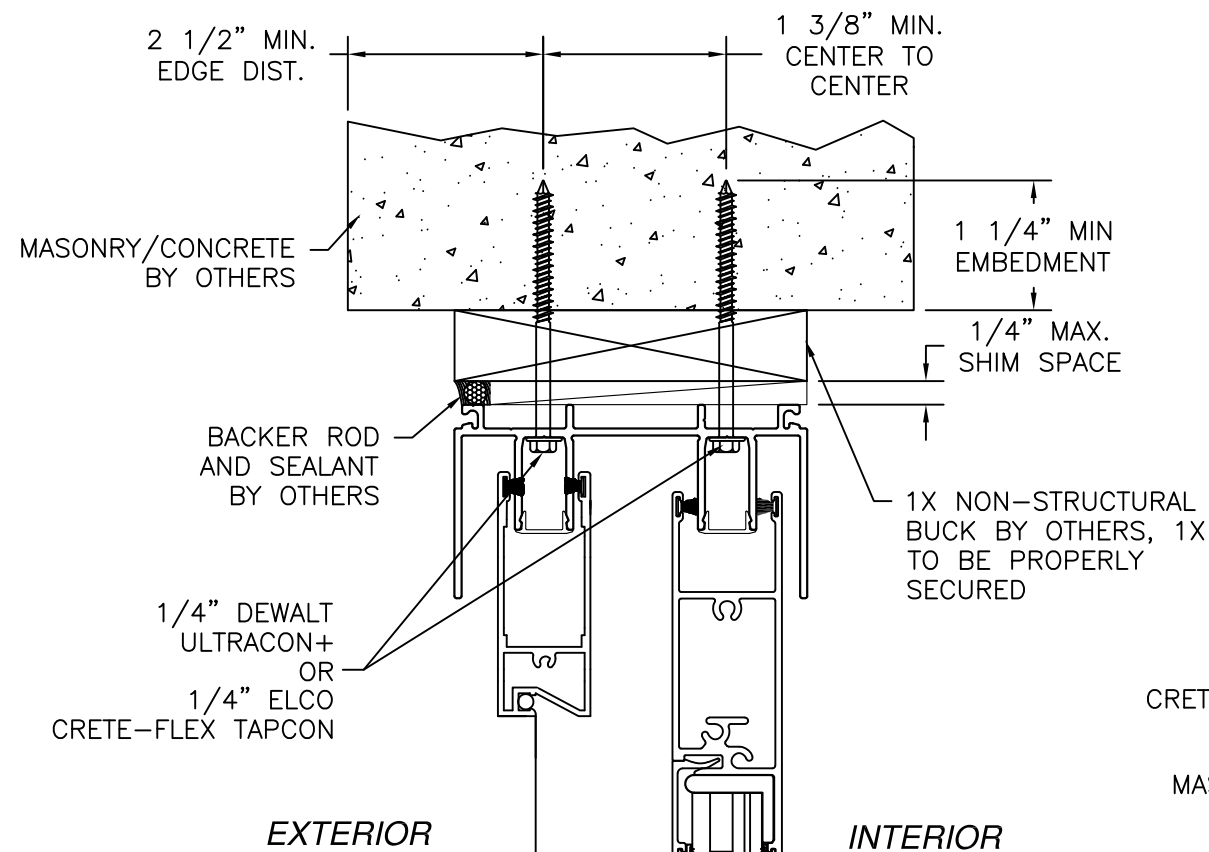
REINFORCING BAR NOTE:
 ITEM #32, INTERLOCK REINFORCING BAR, IS SECURED TO
 INTERLOCK LEFT #26, INTERLOCK RIGHT #27, MALE BUTT STILE
 #28, LOCKING BUTT STILE #29 INTERIOR FIXED BUTT STILE #30
 AND EXTERIOR FIXED BUTT STILE #31 WITH ITEM #49, #10 x 1" TEK
 SCREW SPACED 6" FROM TOP AND BOTTOM AND AT CENTER.

| | | | | |
|--|------------|--|-----------|---------------|
| | | PREPARED BY A. LYNN MILLER 1070 TECHNOLOGY DRIVE N. VENICE, FL 34275 (941) 480-1600 | | |
| WINDOOR INCORPORATED 104 TRIPLE DIAMOND BLVD. NORTH VENICE, FL 34275 (833) 554-5432 | | COPYRIGHT © 2021 WINDOOR INC. LIMITED LICENSE TO MAKE COPIES FOR PERMITTING. | | |
| Series | Rev. Desc. | Title | Date | |
| | | ALUMINUM SLIDING GLASS DOOR - TDI | 11/18/18 | |
| | | HORIZONTAL CROSS SECTIONS | Drawn By | JENS ROSOWSKI |
| SGD7000 | 8 OF 14 | DWG No. | 7000TDI-1 | Rev. No. A |

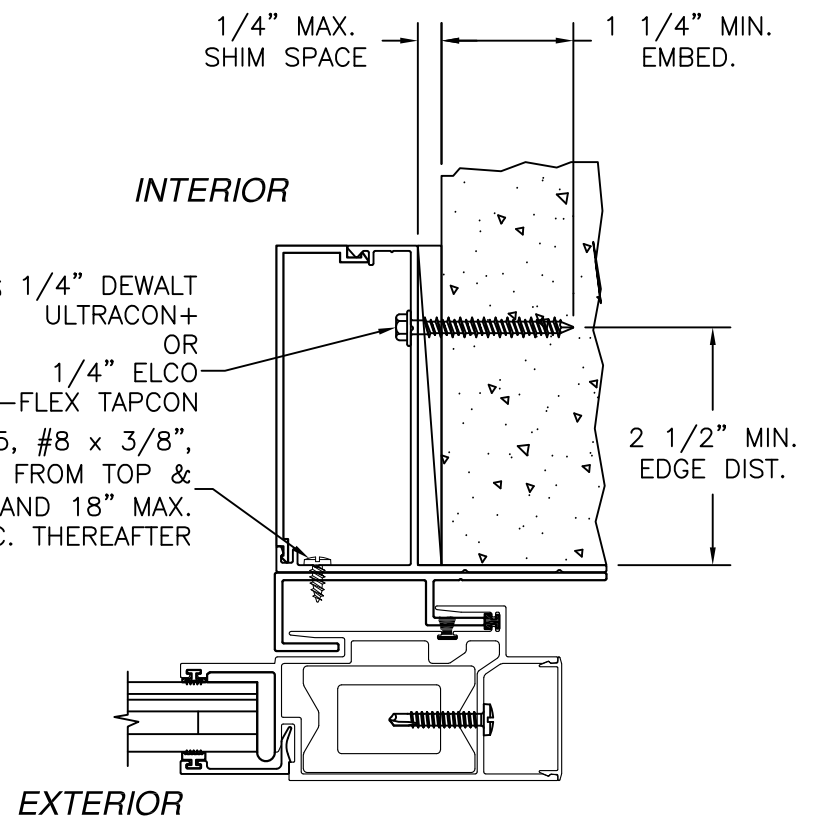
9/16/21
 A. LYNN MILLER, P.E.
 P.E.# 106954



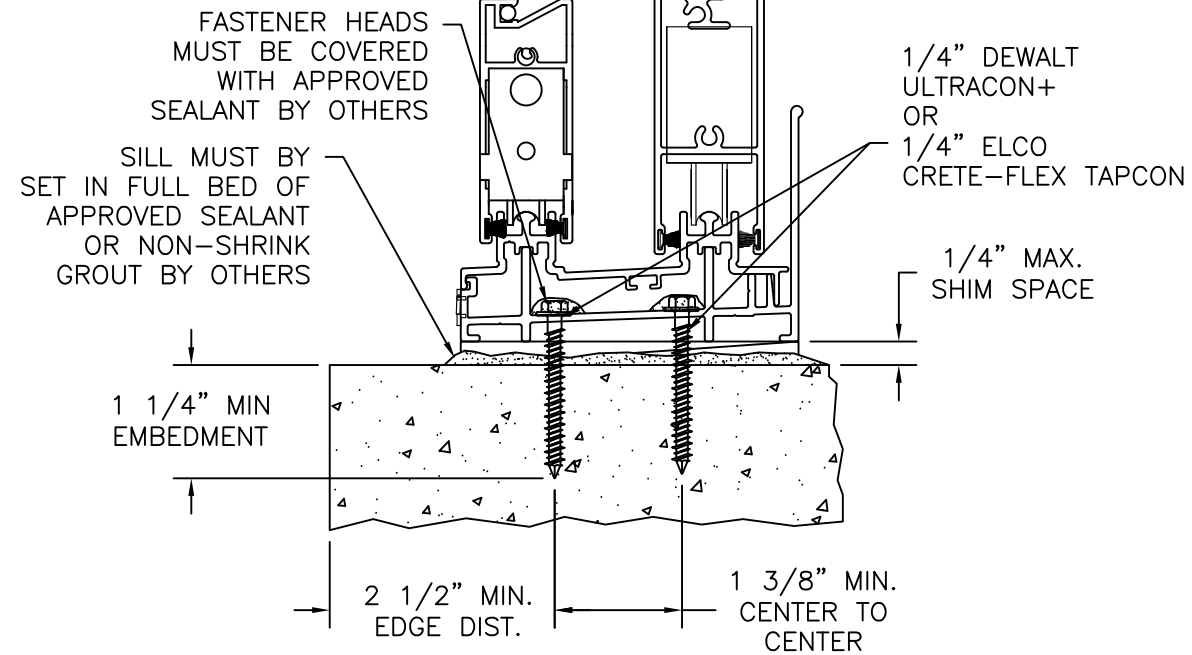
| | | | | |
|--|---------------|--|------------|--|
| | | PREPARED BY A. LYNN MILLER 1070 TECHNOLOGY DRIVE N. VENICE, FL 34275 (941) 480-1600 | | |
| WINDOOR INCORPORATED 104 TRIPLE DIAMOND BLVD. NORTH VENICE, FL 34275 (833) 554-5432 | | COPYRIGHT © 2021 WINDOOR INC. LIMITED LICENSE TO MAKE COPIES FOR PERMITTING. | | |
| ALUMINUM SLIDING GLASS DOOR - TDI | | Date 11/18/18 | | A. Lynn Miller 9/16/21 A. LYNN MILLER, P.E. P.E.# 106954 |
| HORIZONTAL CROSS SECTIONS | | Drawn By JENS ROSOWSKI | | |
| Series SGD7000 | Sheet 9 OF 14 | DWG No. 7000TDI-1 | Rev. No. A | |



2TRACK FRAME JAMB
 1X BUCK TO MASONRY/CONCRETE INSTALLATION,
 2TRACK SHOWN 3TRACK & 4TRACK SIMILAR



HOOK STRIP
 MASONRY/CONCRETE INSTALLATION
 REINFORCED SHOWN, NON-REINFORCED SIMILAR.
 INTERIOR POCKET SHOWN, EXTERIOR POCKET IS MIRRORED

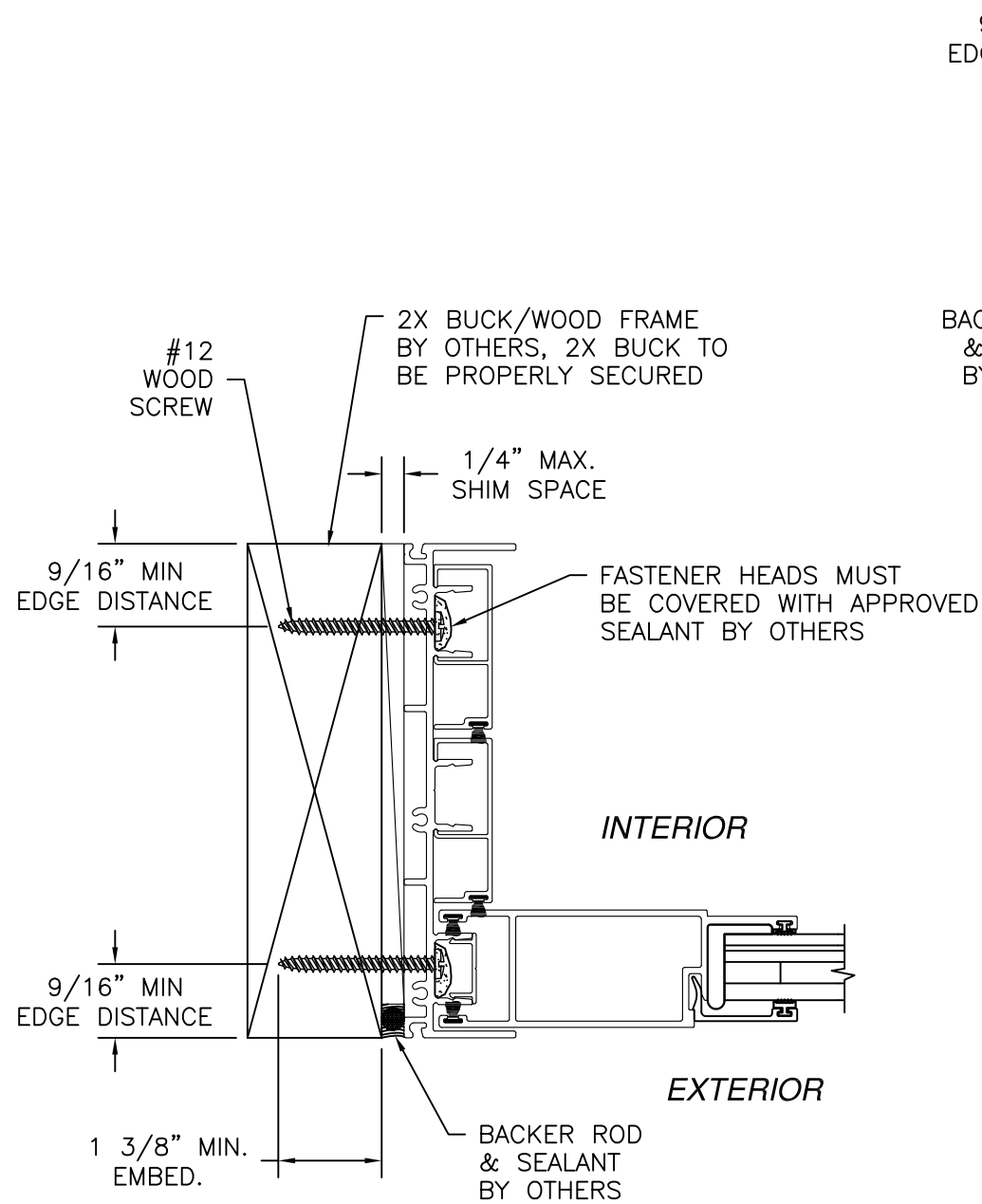


2TRACK FRAME
 MASONRY/CONCRETE INSTALLATION,
 2 TRACK SHOWN 3TRACK & 4TRACK SIMILAR

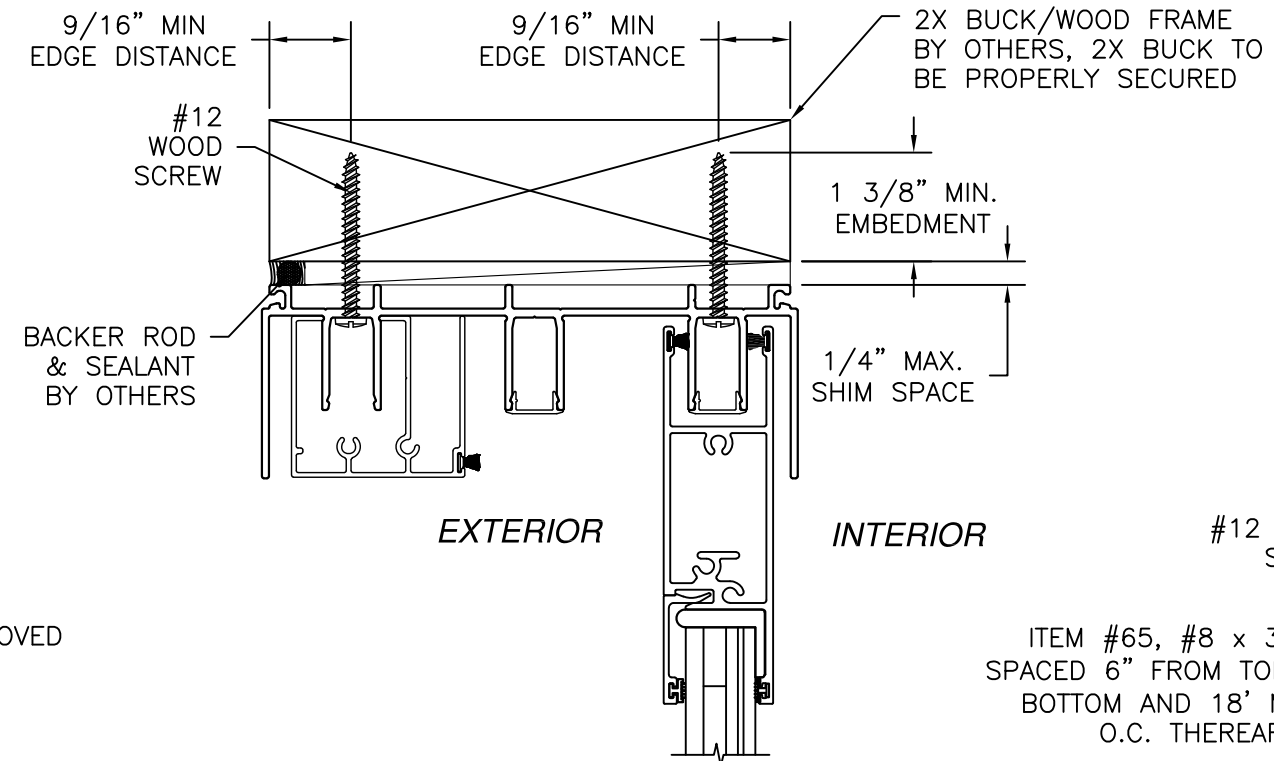
- NOTES:**
1. INTERIOR AND EXTERIOR FINISHES, BY OTHERS, NOT SHOWN FOR CLARITY.
 2. PERIMETER AND JOINT SEALANT BY OTHERS TO BE DESIGNED IN ACCORDANCE WITH ASTM E2112

| | | | | |
|--|------------|--|-----------|---------------|
| | | PREPARED BY A. LYNN MILLER 1070 TECHNOLOGY DRIVE N. VENICE, FL 34275 (941) 480-1600 | | |
| WINDOOR INCORPORATED 104 TRIPLE DIAMOND BLVD. NORTH VENICE, FL 34275 (833) 554-5432 | | COPYRIGHT © 2021 WINDOOR INC. LIMITED LICENSE TO MAKE COPIES FOR PERMITTING. | | |
| Series | Rev. Desc. | Title | Date | |
| | | ALUMINUM SLIDING GLASS DOOR - TDI | 11/18/18 | |
| | | INSTALLATION DETAILS | Drawn By | JENS ROSOWSKI |
| SGD7000 | 10 OF 14 | DWG No. | 7000TDI-1 | Rev. No. A |

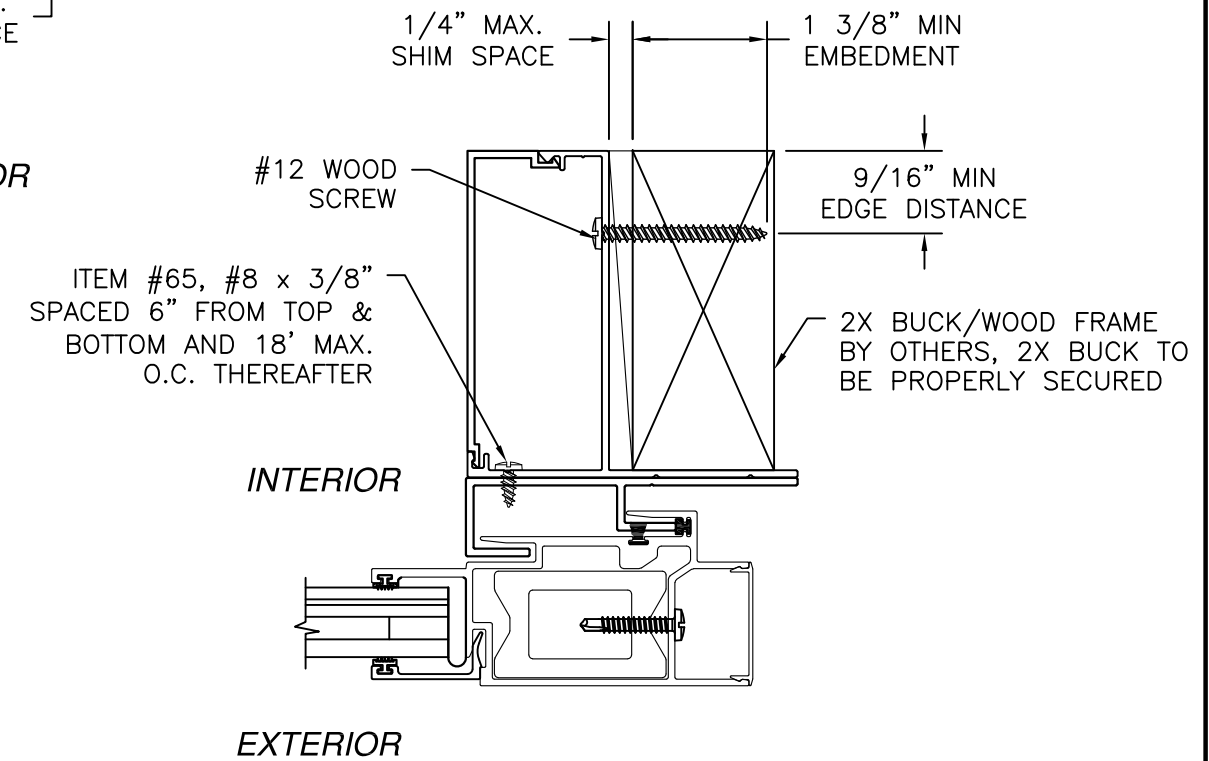
9/16/21
 A. LYNN MILLER, P.E.
 P.E.# 106954



3TRACK FRAME JAMB
2X BUCK/WOOD FRAME INSTALLATION, 3TRACK SHOWN 2TRACK & 4TRACK SIMILAR



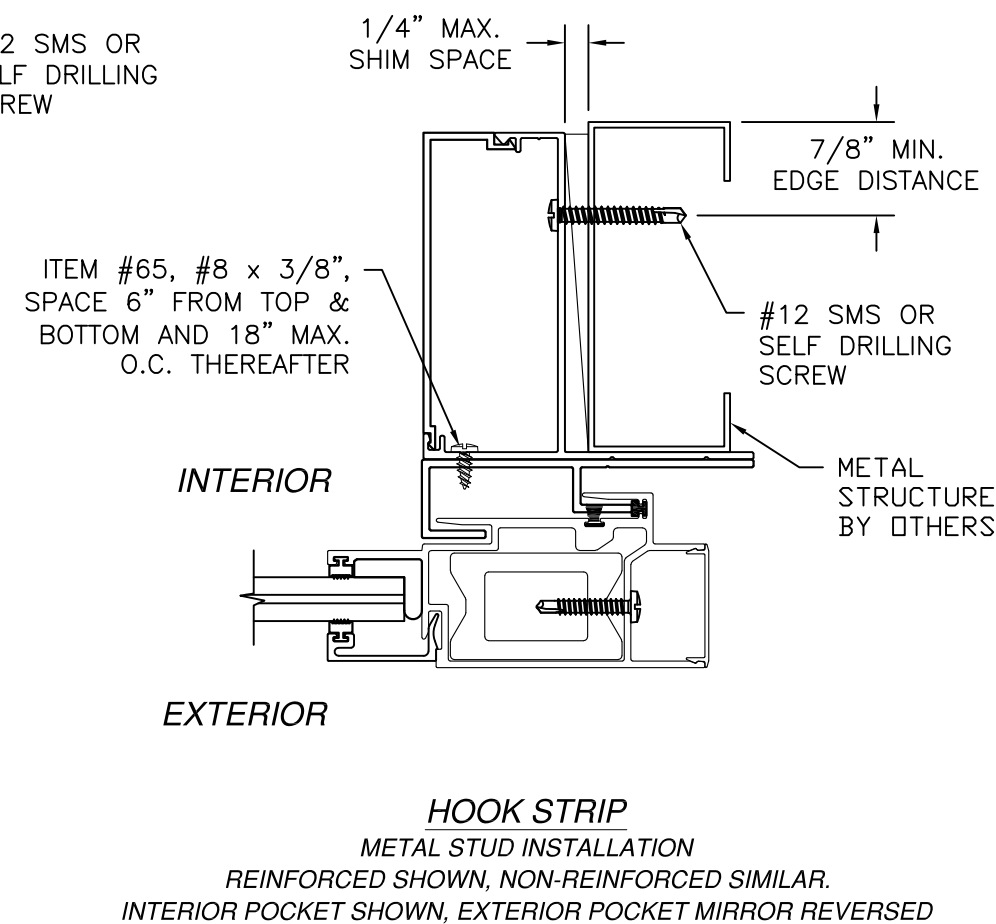
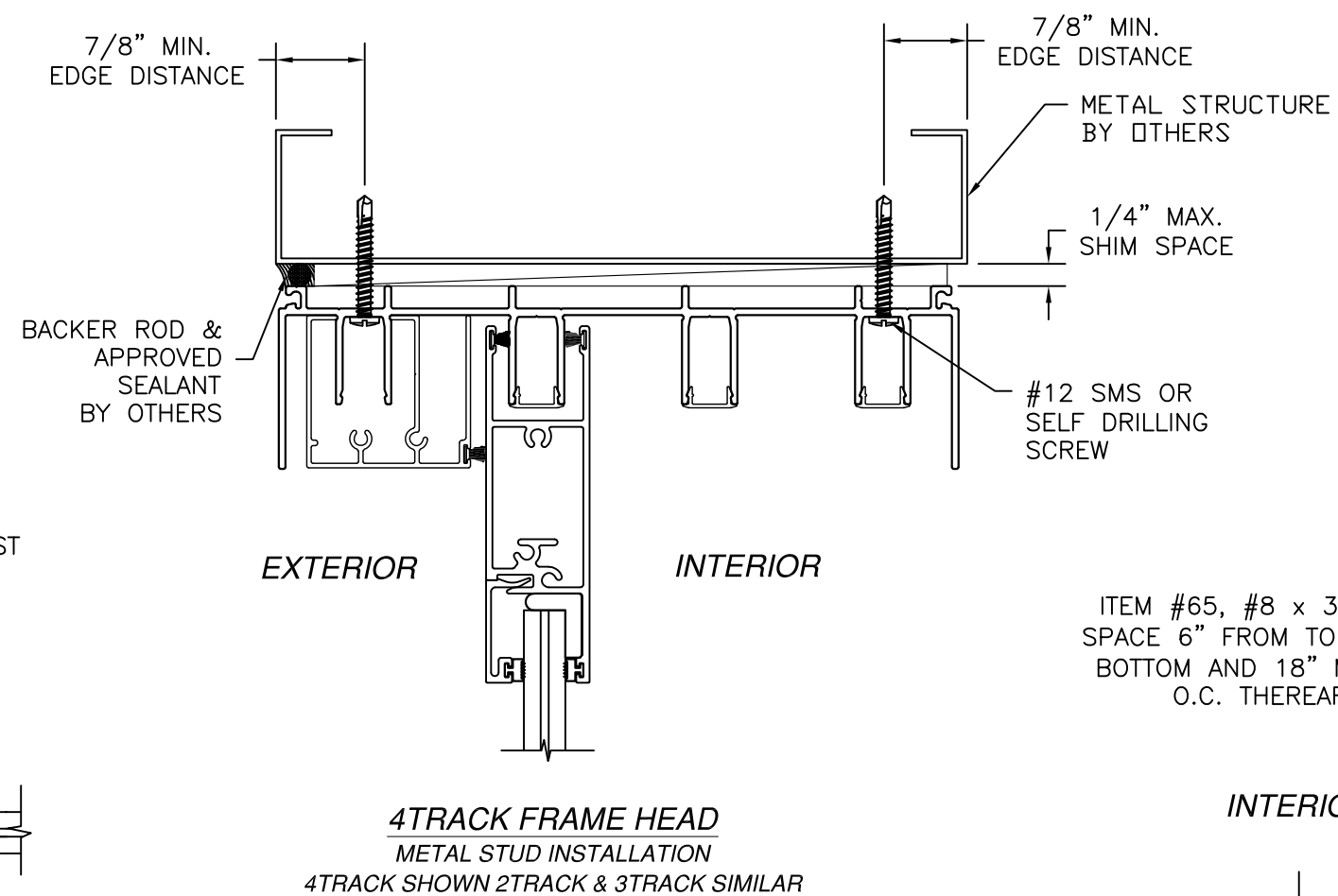
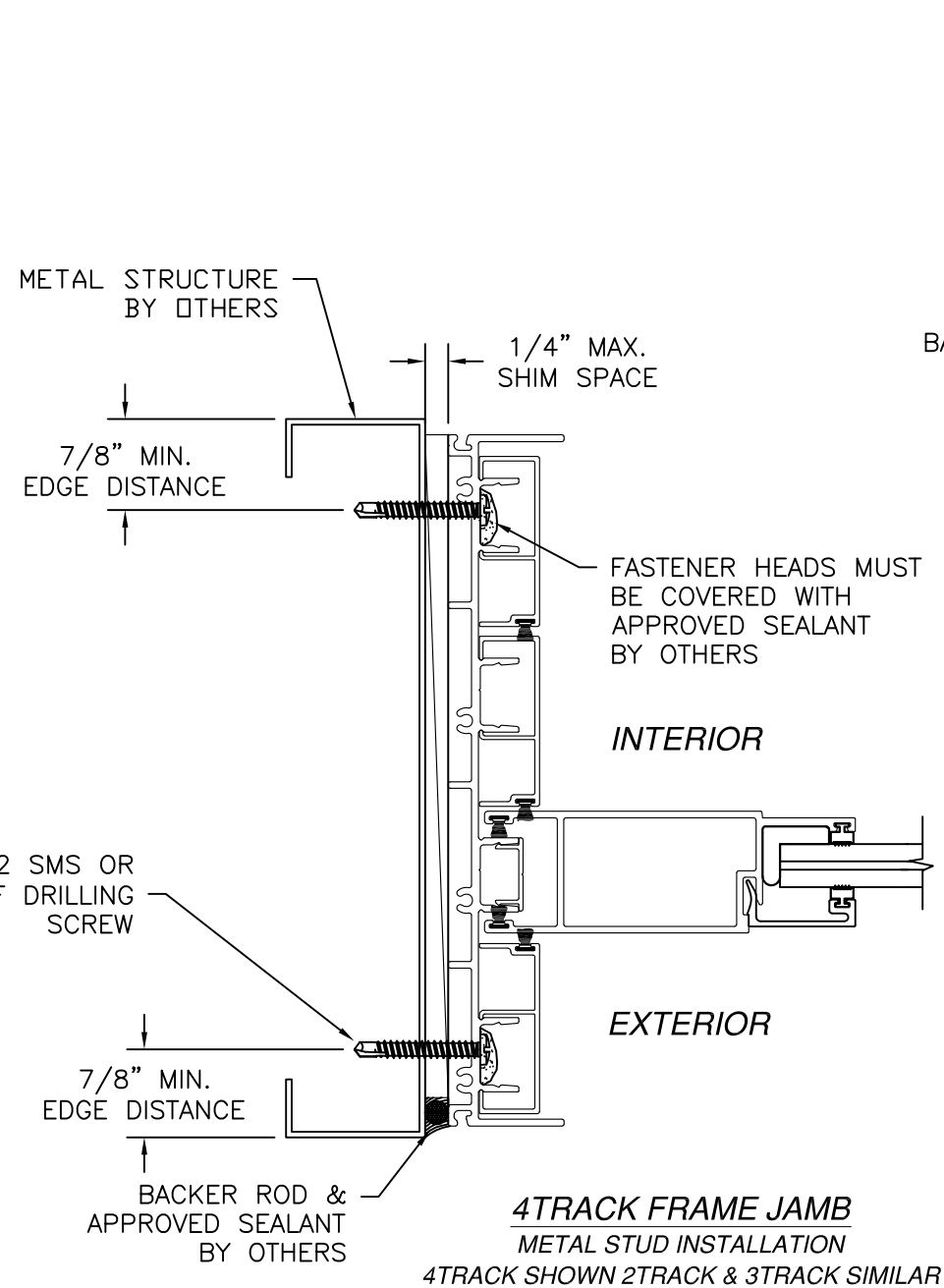
3TRACK FRAME HEAD
2X BUCK/WOOD FRAME INSTALLATION, 3TRACK SHOWN 2TRACK & 4TRACK SIMILAR



HOOK STRIP
2X BUCK/WOOD FRAME INSTALLATION REINFORCED SHOWN, NON-REINFORCED SIMILAR. INTERIOR POCKET SHOWN, EXTERIOR POCKET MIRROR REVERSED

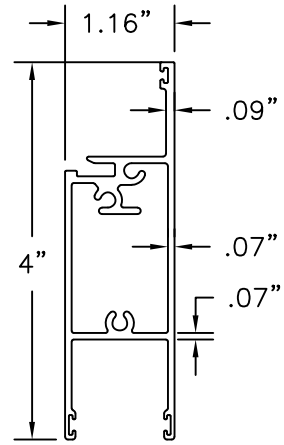
- NOTES:
1. INTERIOR AND EXTERIOR FINISHES, BY OTHERS, NOT SHOWN FOR CLARITY.
 2. PERIMETER AND JOINT SEALANT BY OTHERS TO BE DESIGNED IN ACCORDANCE WITH ASTM E2112

| | | | | |
|---|-----------------|--|----------|---|
| <p>WinDoor[®] INCORPORATED</p> <p>WINDOOR INCORPORATED 104 TRIPLE DIAMOND BLVD. NORTH VENICE, FL 34275 (833) 554-5432</p> | | <p>PREPARED BY A. LYNN MILLER 1070 TECHNOLOGY DRIVE N. VENICE, FL 34275 (941) 480-1600</p> <p>COPYRIGHT © 2021 WINDOOR INC. LIMITED LICENSE TO MAKE COPIES FOR PERMITTING.</p> | | <p>ANTHONY LYNN MILLER 106954 LICENSED PROFESSIONAL ENGINEER</p> <p><i>A. Lynn Miller</i> 9/16/21 A. LYNN MILLER, P.E. P.E.# 106954</p> |
| <p>ALUMINUM SLIDING GLASS DOOR - TDI</p> | | <p>11/18/18</p> | | |
| <p>INSTALLATION DETAILS</p> | | <p>JENS ROSOWSKI</p> | | |
| <p>SGD7000</p> | <p>11 OF 14</p> | <p>7000TDI-1</p> | <p>A</p> | |

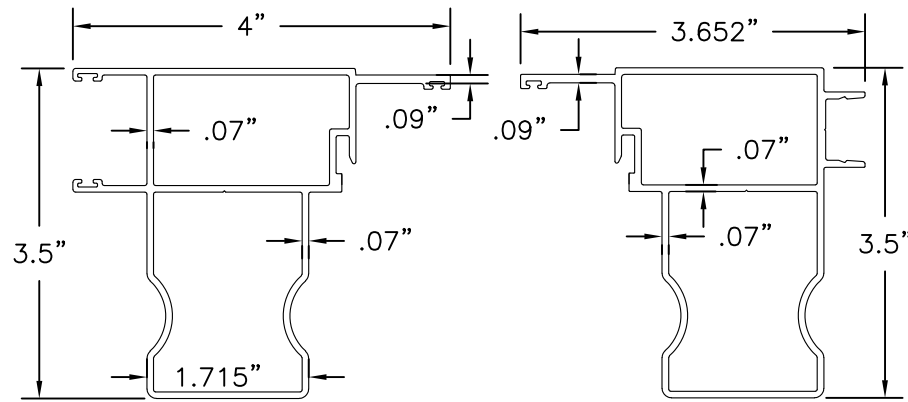


- NOTES:
1. INTERIOR AND EXTERIOR FINISHES, BY OTHERS, NOT SHOWN FOR CLARITY.
 2. PERIMETER AND JOINT SEALANT BY OTHERS TO BE DESIGNED IN ACCORDANCE WITH ASTM E2112

| | | | | |
|--|-----------------|--|----------|---|
| <p>WinDoor® INCORPORATED</p> <p>WINDOOR INCORPORATED 104 TRIPLE DIAMOND BLVD. NORTH VENICE, FL 34275 (833) 554-5432</p> | | <p>PREPARED BY A. LYNN MILLER 1070 TECHNOLOGY DRIVE N. VENICE, FL 34275 (941) 480-1600</p> <p>COPYRIGHT © 2021 WINDOOR INC. LIMITED LICENSE TO MAKE COPIES FOR PERMITTING.</p> | | |
| <p>ALUMINUM SLIDING GLASS DOOR - TDI</p> | | <p>11/18/18</p> | | |
| <p>INSTALLATION DETAILS</p> | | <p>JENS ROSOWSKI</p> | | <p>A. Lynn Miller 9/16/21 A. LYNN MILLER, P.E. P.E.# 106954</p> |
| <p>SGD7000</p> | <p>12 OF 14</p> | <p>7000TDI-1</p> | <p>A</p> | |

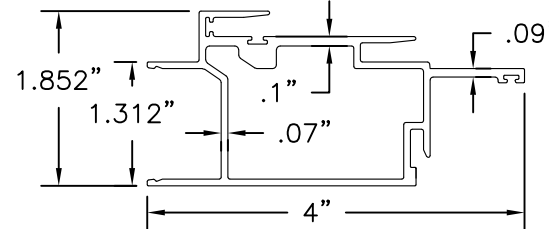


24 TOP & BOTTOM RAIL
6063-T6 ALUM.

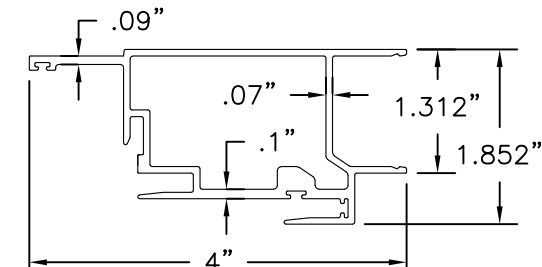


29 LOCKING BUTT STILE
6063-T6 ALUM.

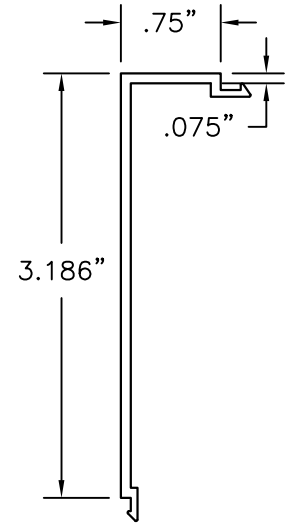
28 MALE BUTT STILE
6063-T6 ALUM.



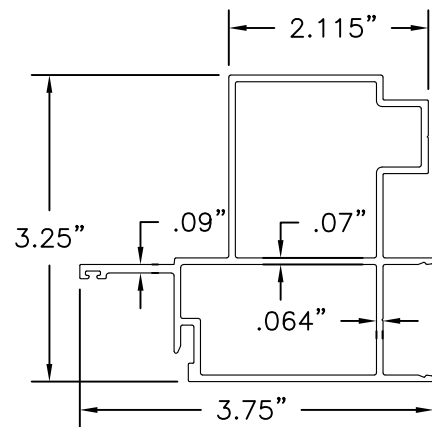
27 INTERLOCK STILE RIGHT
6063-T6 ALUM.



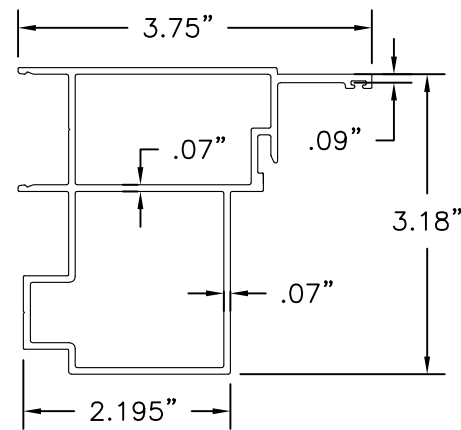
26 INTERLOCK STILE LEFT
6063-T6 ALUM.



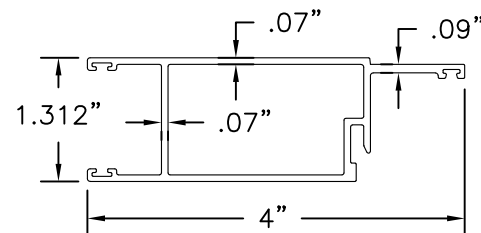
20 HOOK STRIP WALL COVER
6063-T6 ALUM.



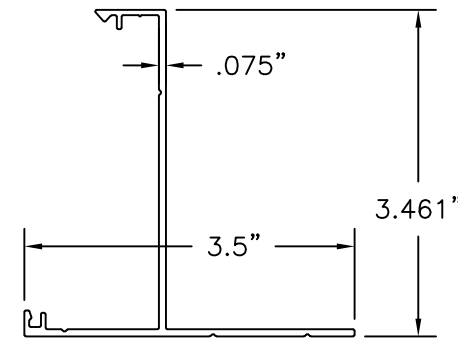
30 INTERIOR FIXED BUTT STILE
6063-T6 ALUM.



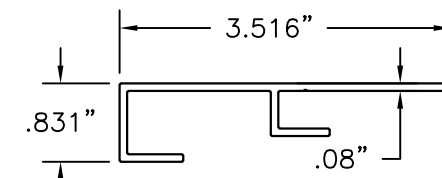
31 EXTERIOR FIXED BUTT STILE
6063-T6 ALUM.



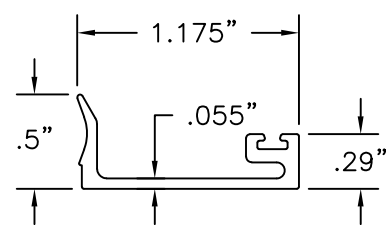
25 LOCK/PLAIN STILE
6063-T6 ALUM.



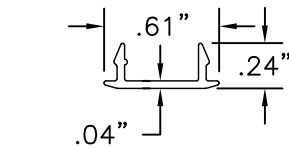
21 HOOK STRIP WALL MOUNT
6063-T6 ALUM.



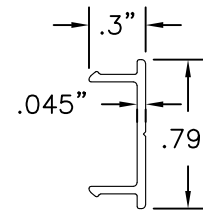
19 HOOK STRIP BASE
6063-T6 ALUM.



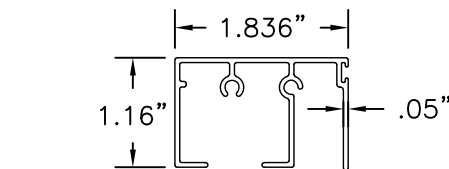
34 9/16" GLASS STOP
6063-T6 ALUM.



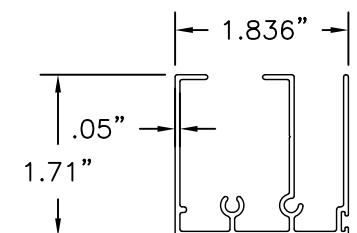
16 FRAME HEAD TRACK COVER
6063-T6 ALUM.



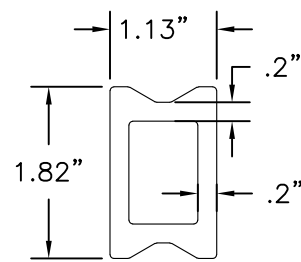
18 FLUSH JAMB COVER
6063-T6 ALUM.



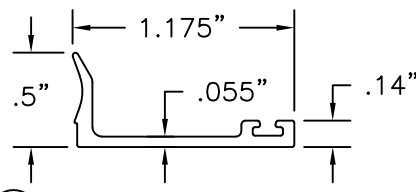
22 PANEL STOP SILL COVER
6063-T6 ALUM.



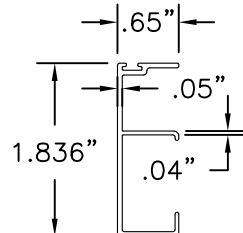
23 PANEL STOP HEAD COVER
6063-T6 ALUM.



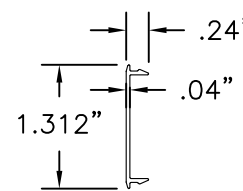
32 INTERLOCK REINFORCING BAR
6063-T6 ALUM.



35 3/4" GLASS STOP
6063-T6 ALUM.

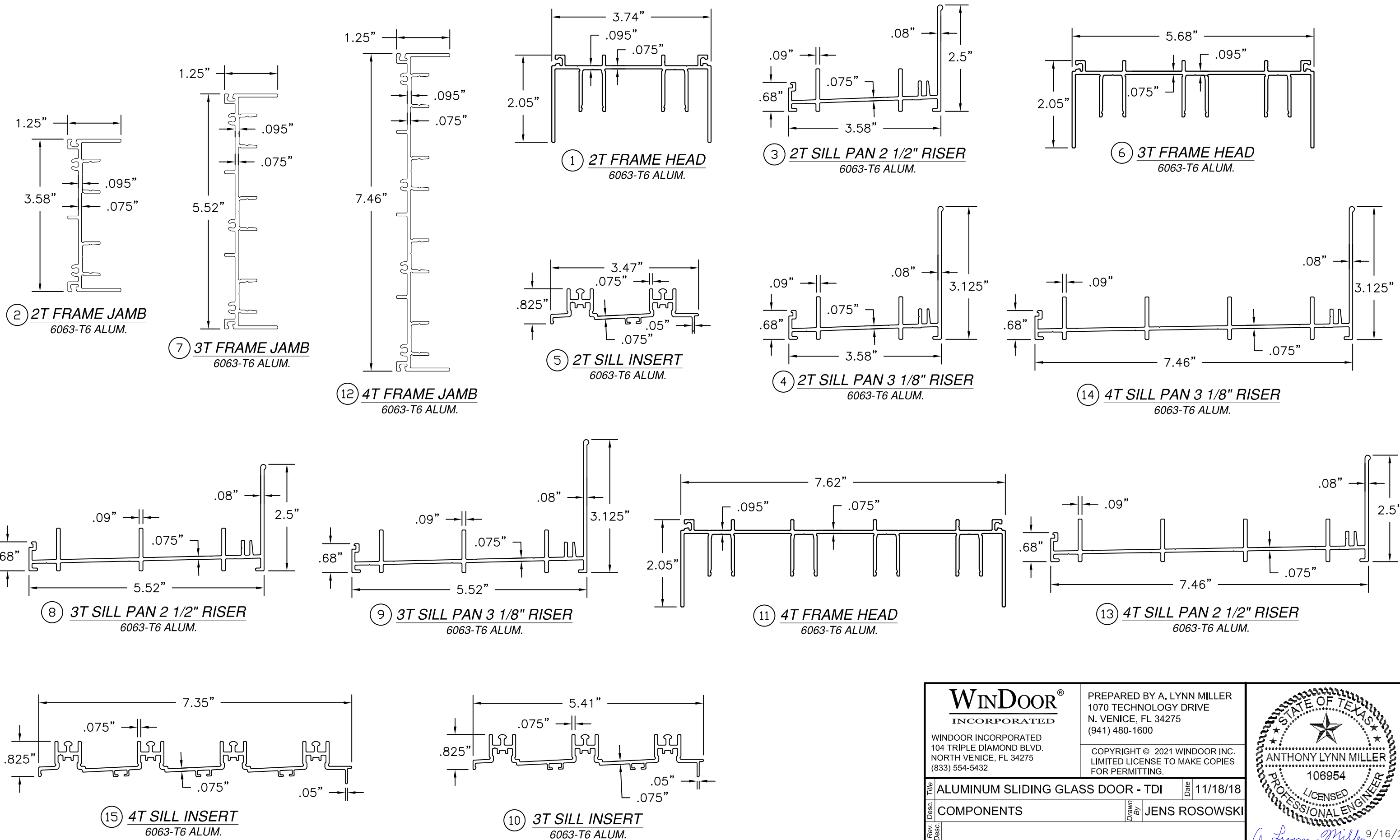


17 RECESSED JAMB COVER
6063-T6 ALUM.



33 BUTT STILE & INTERLOCK COVER
6063-T6 ALUM.

| | | | | |
|--|-------------------|--|---------------|--|
| | | PREPARED BY A. LYNN MILLER 1070 TECHNOLOGY DRIVE N. VENICE, FL 34275 (941) 480-1600 | | |
| WINDOOR INCORPORATED 104 TRIPLE DIAMOND BLVD. NORTH VENICE, FL 34275 (833) 554-5432 | | COPYRIGHT © 2021 WINDOOR INC. LIMITED LICENSE TO MAKE COPIES FOR PERMITTING. | | |
| ALUMINUM SLIDING GLASS DOOR - TDI | | Date 11/18/18 | | A. Lynn Miller A. LYNN MILLER, P.E. P.E.# 106954 |
| COMPONENTS | | Drawn By JENS ROSOWSKI | | |
| Series SGD7000 | Sheet 13 OF 14 | DWG No. 7000TDI-1 | Rev. No. A | |



| | | | | |
|--|------------|--|----------|---------------|
| | | PREPARED BY A. LYNN MILLER 1070 TECHNOLOGY DRIVE N. VENICE, FL 34275 (941) 480-1600 | | |
| WINDOOR INCORPORATED 104 TRIPLE DIAMOND BLVD. NORTH VENICE, FL 34275 (833) 554-5432 | | COPYRIGHT © 2021 WINDOOR INC. LIMITED LICENSE TO MAKE COPIES FOR PERMITTING. | | |
| Series | Rev. Desc. | Title | Date | |
| | | ALUMINUM SLIDING GLASS DOOR - TDI | 11/18/18 | |
| | | COMPONENTS | Drawn By | JENS ROSOWSKI |
| SGD7000 | Sheet | 14 OF 14 | DWG No. | 7000TDI-1 |
| | | | Rev. No. | A |

A. LYNN MILLER, P.E.
 P.E.# 106954