

THERMA TRU®

118 INDUSTRIAL DR., EDGERTON, OH 43517

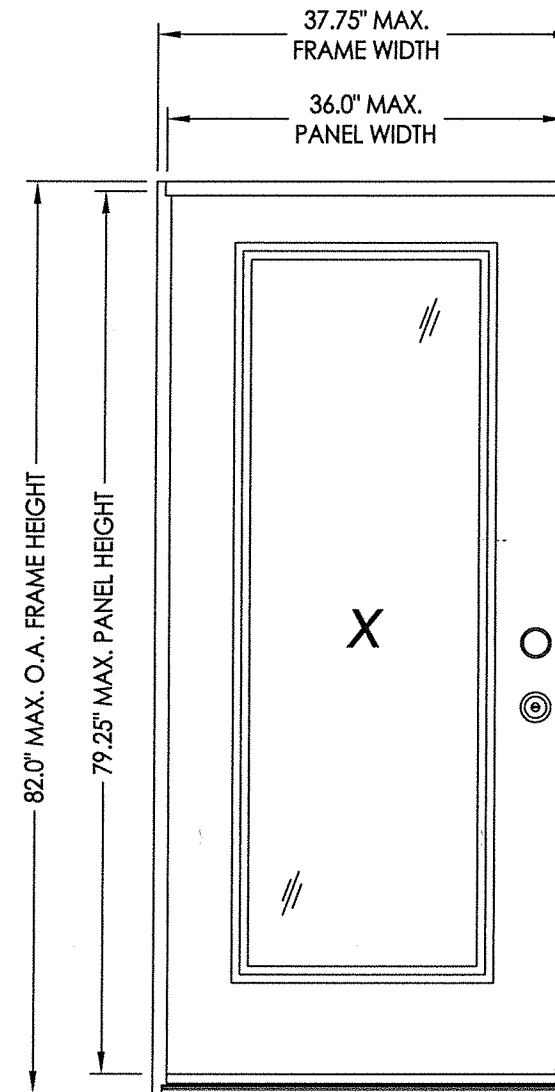
"SMOOTH-STAR", "FIBER-CLASSIC", "CLASSIC-CRAFT" & "CLASSIC-CRAFT RUSTIC" GLAZED FIBERGLASS DOOR IN SWING / OUTSWING "IMPACT"

EVALUATED FOR USE IN THE STATE OF TEXAS

The Fiberglass Door system described herein complies with the 2018 International Residential Code (IRC), Sections R301 & R609 and the 2018 International Building Code (IBC), Sections 1404.13, 1609, 1709.5, 2403 and 2404 subject to the following conditions:

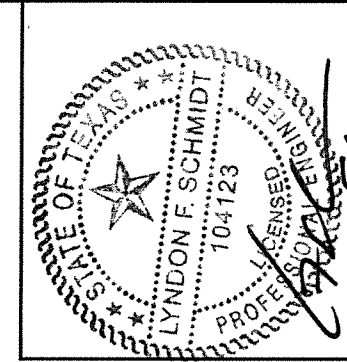
1. Anchors shall be as listed and spaced as shown in the details. Anchor embedment to base material shall be beyond wall dressing or stucco.
2. This system has been tested and evaluated as a large missile impact protective system for installation in areas that require wind borne debris protection. This product meets missile level "D" as defined in ASTM E 1996.
3. Allowable design pressure requirements must be equal to or less than the design pressure rating shown in the design pressure chart, sheet 1 of this drawing.
4. Conditions not covered by this drawing are subject to further engineering analysis.
5. Fiber-Classic and Smooth-Star Door and Sidelite panels require the use of "J" part numbers. These door and sidelite panels must be stained or painted within six months of installation.

TABLE OF CONTENTS	
SHEET #	DESCRIPTION
1	TYPICAL ELEVATION, DESIGN PRESSURES & GENERAL NOTES
2	"SMOOTH STAR" DOOR PANEL DETAILS
3	"CLASSIC CRAFT" & "CLASSIC CRAFT RUSTIC" DOOR PANEL DETAILS
4	"FIBER CLASSIC" DOOR PANEL DETAILS
5	HORIZONTAL CROSS SECTIONS
6	VERTICAL CROSS SECTIONS
7	FRAME ANCHORING
8	BILL OF MATERIALS & COMPONENTS



"SMOOTH-STAR", "FIBER-CLASSIC"
"CLASSIC-CRAFT" & "CLASSIC-CRAFT RUSTIC"

SWING	OVERALL FRAME DIMENSION	OVERALL D.L.O. DIMENSION	DESIGN PRESSURE (PSF)	
			POSITIVE	NEGATIVE
IN SWING	37.75" X 82.0"	21.0" X 63.25"	+47.0	-53.0
OUT SWING	37.75" X 80.62"	21.0" X 63.25"	+50.0	-50.0



Documents Prepared By: Lyndon F. Schmidt, P.E.
TEXAS P.E. #104123

RW BUILDING CONSULTANTS, INC.
P.O. Box 230 Valrico FL 33595
Phone No.: 813.659.9197

TEXAS BOARD OF PROFESSIONAL ENGINEERS
CERTIFICATE OF REGISTRATION # F-11852

PRODUCT: THERMA-TRU
GLAZED FIBERGLASS DOOR
IN/OUTSWING "IMPACT"
PART OR ASSEMBLY:
TYPICAL ELEVATION, DESIGN
PRESSURES & GENERAL NOTES

NO.	DATE	REVISIONS
2	5/06/20	UPDATE TO 2018 IBC/IRC CODE
1	7/22/15	ADDED GENERAL NOTE 5.

DATE: 7/17/12

SCALE: N.T.S.

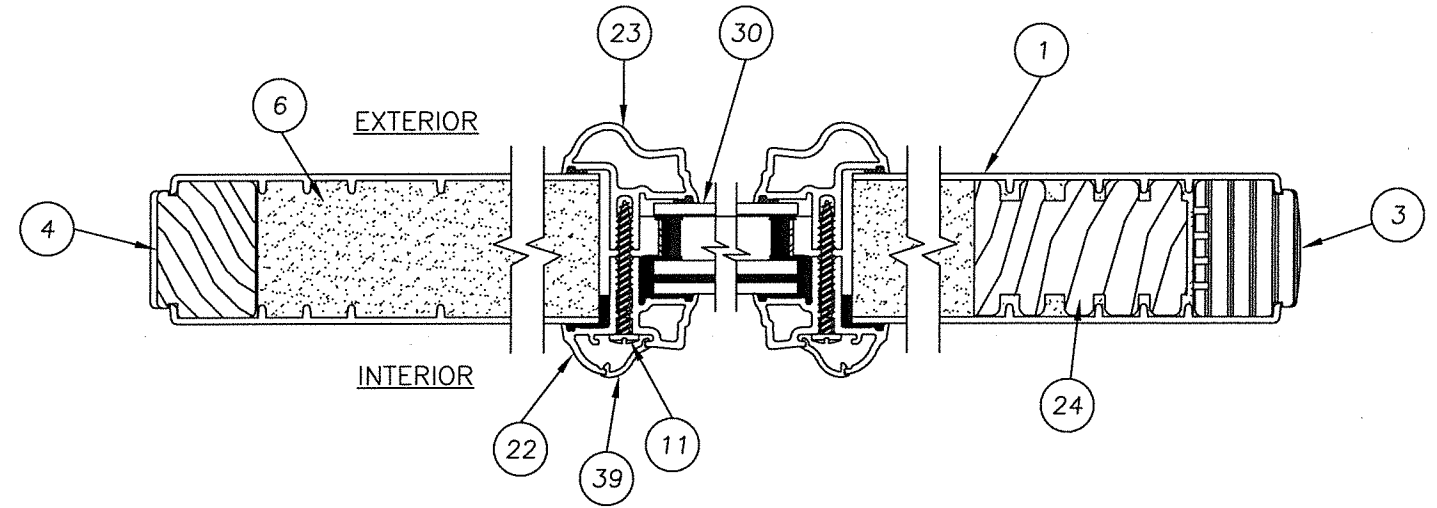
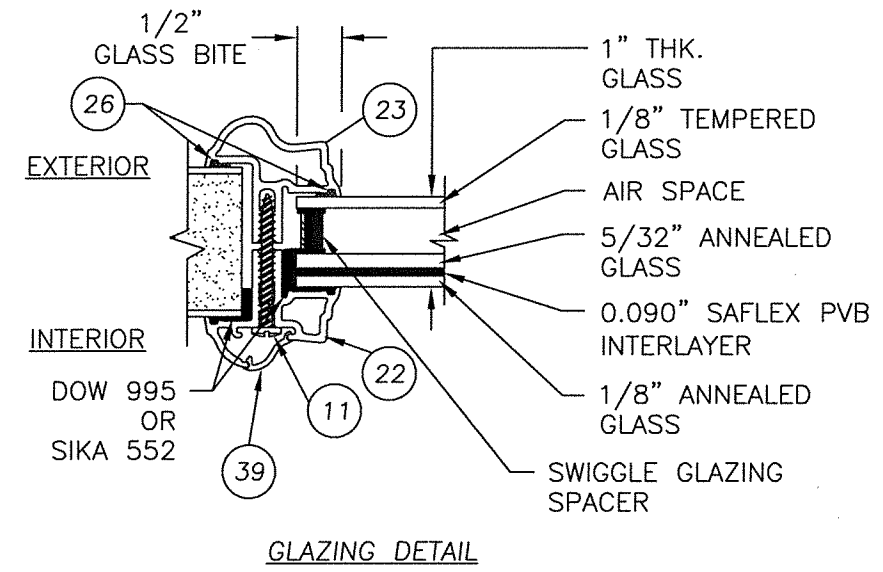
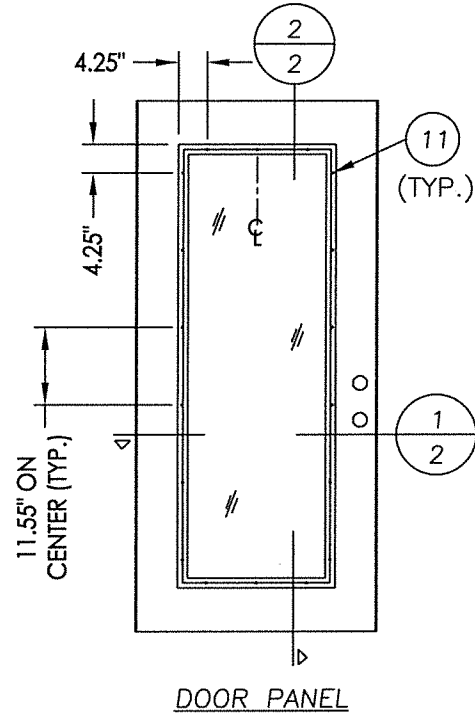
DWG. BY: JK

CHK. BY: LFS

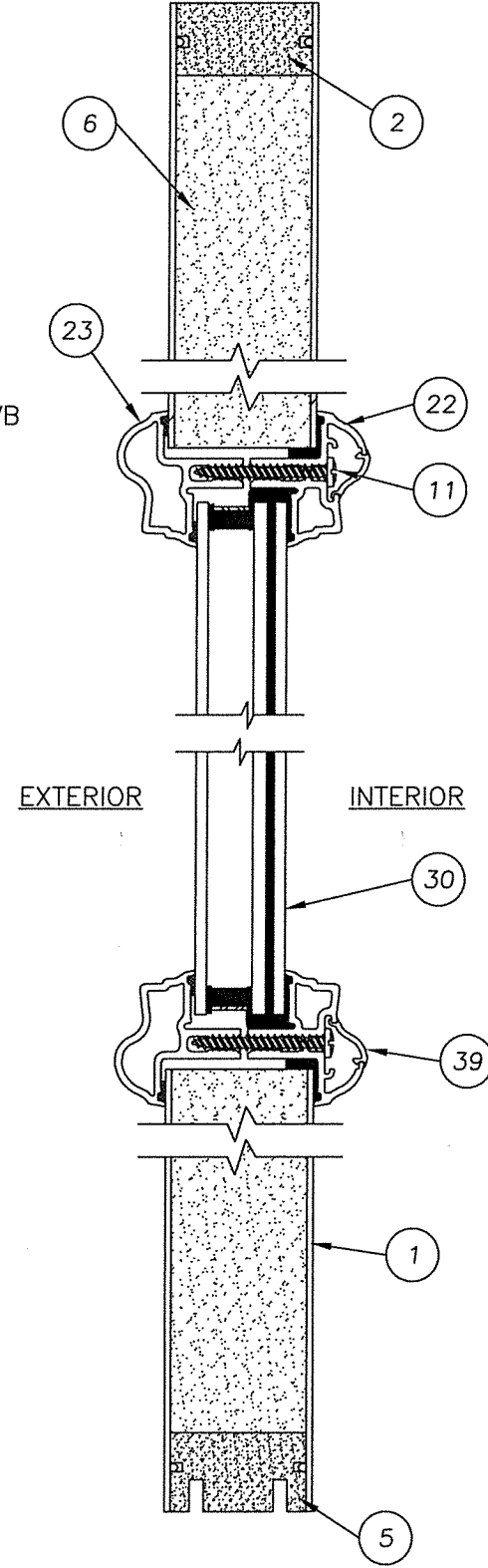
DRAWING NO.:

TX-4190

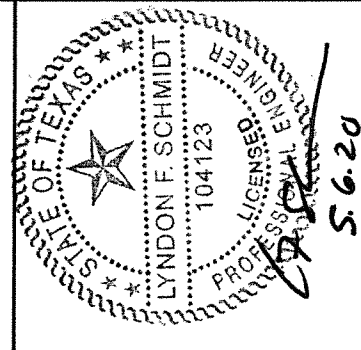
SHEET 1 OF 8



1 HORIZONTAL CROSS SECTION
2 DOOR PANEL



2 VERTICAL CROSS SECTION
2 DOOR PANEL



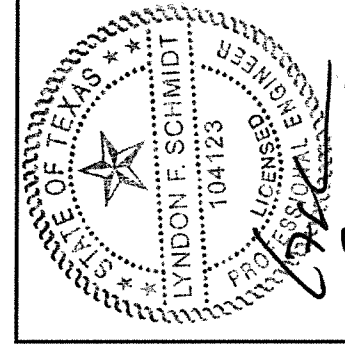
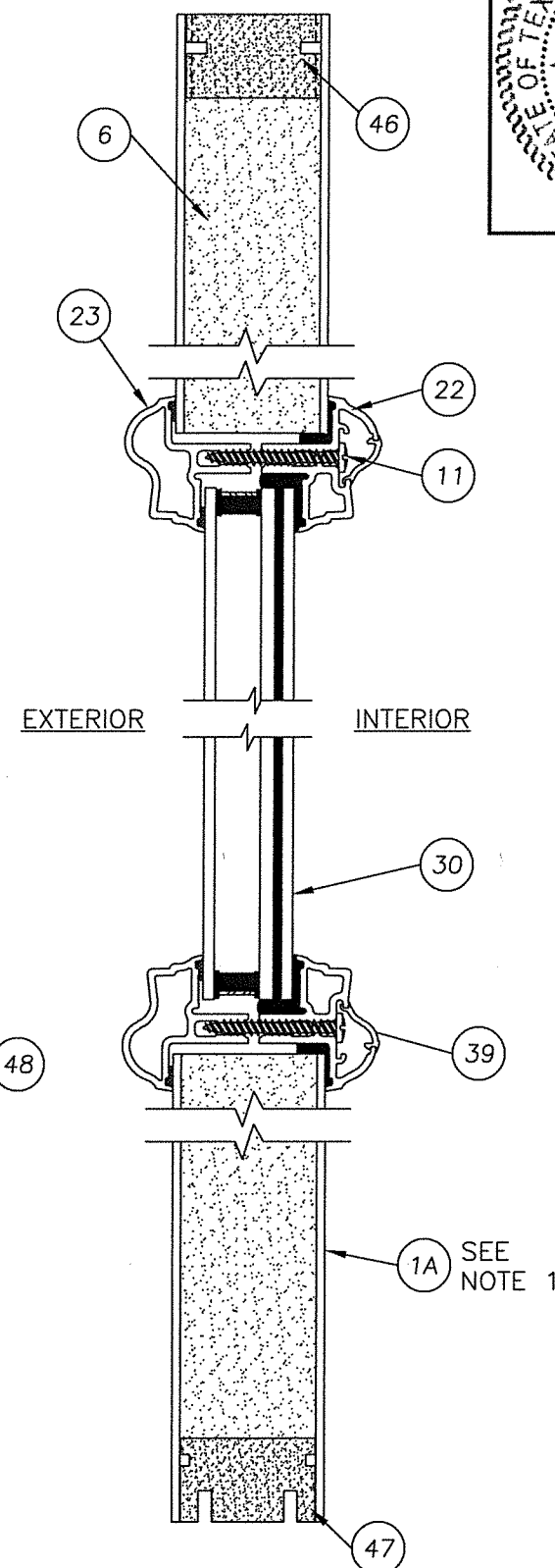
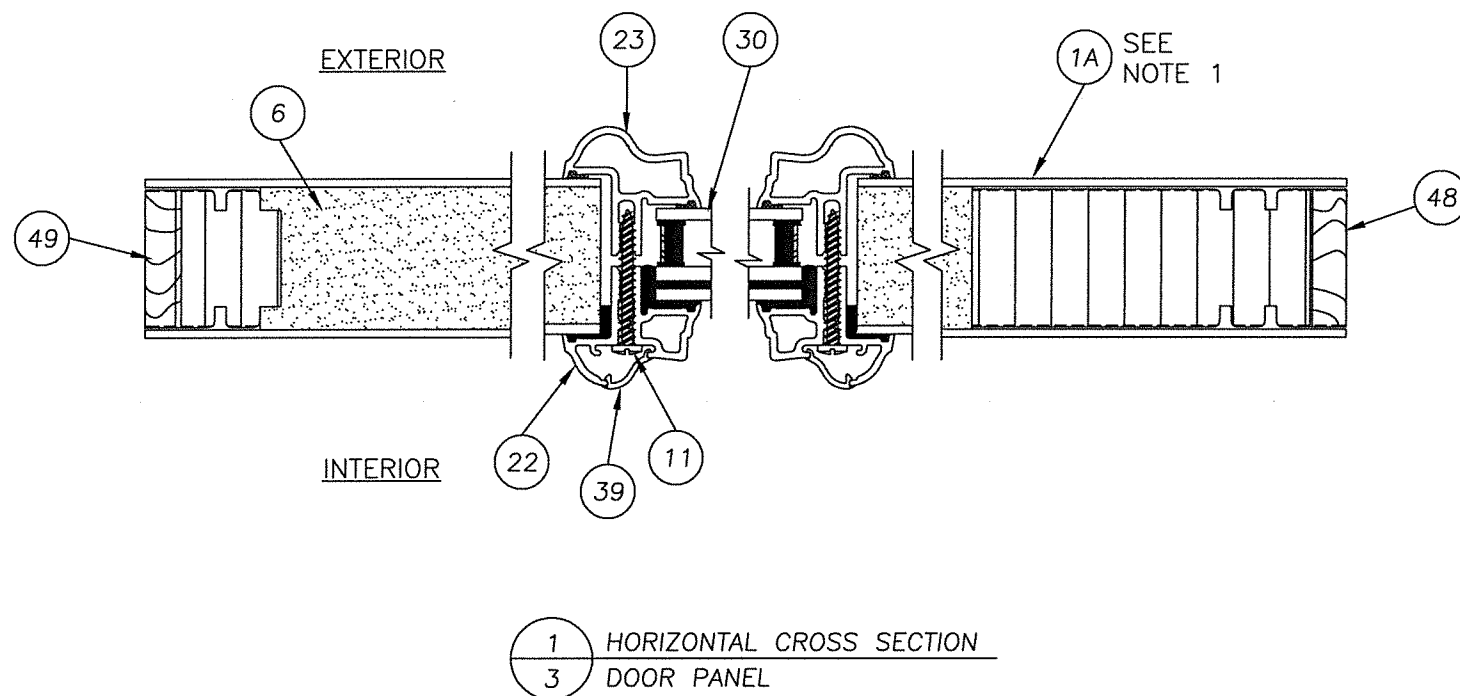
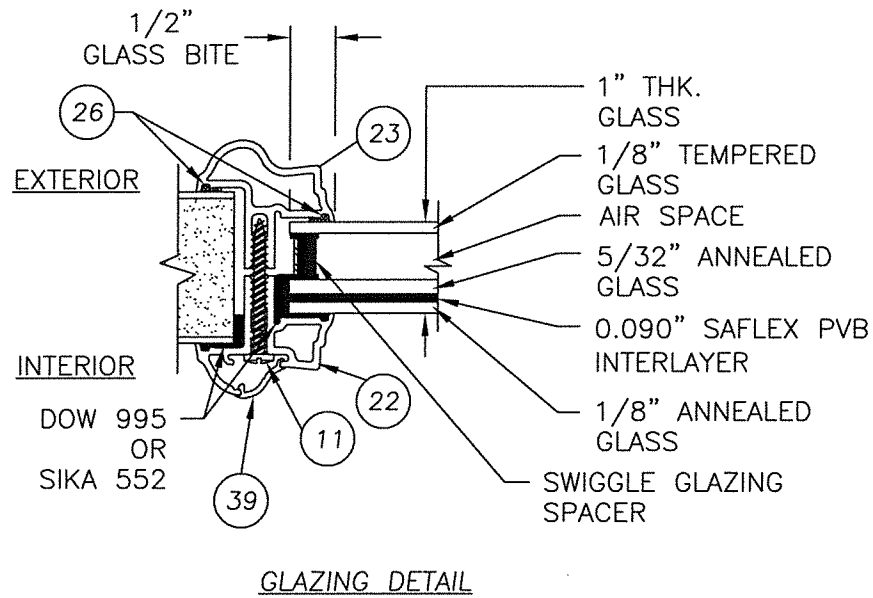
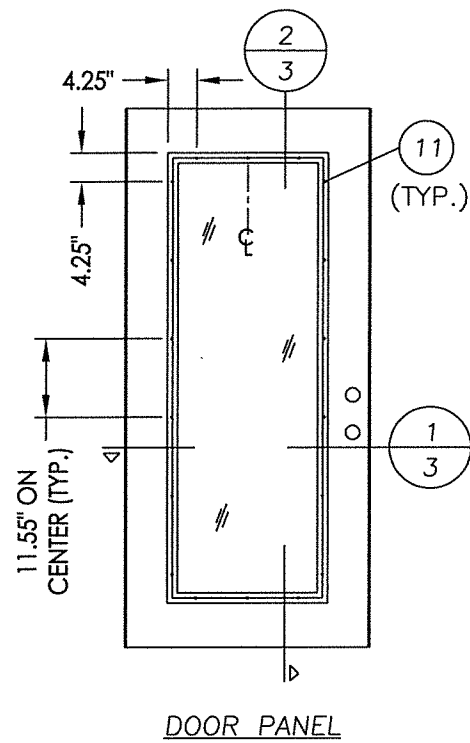
Documents Prepared By: Lyndon F. Schmidt, P.E.
TEXAS P.E. #104123

RW BUILDING CONSULTANTS, INC.
P.O. Box 230 Vairico FL. 33595
Phone No.: 813.659.9197

TEXAS BOARD OF PROFESSIONAL ENGINEERS
CERTIFICATE OF REGISTRATION # F-11852

PRODUCT:	THERMA-TRU GLAZED FIBERGLASS DOOR IN/OUTSWING "IMPACT"	
PART OR ASSEMBLY:	"SMOOTH STAR" DOOR PANEL DETAILS	
NO.	DATE	BY
2	5/06/20	LFS
1	7/22/15	LFS
REVISIONS		
UPDATE TO 2018 IBC/IRC CODE		
ADDED GENERAL NOTE 5.		

DATE: 7/17/12
SCALE: N.T.S.
DWG. BY: JK
CHK. BY: LFS
DRAWING NO.: TX-4190
SHEET 2 OF 8



Documents Prepared By: Lyndon F. Schmidt, P.E.
TEXAS P.E. #104123

RW BUILDING CONSULTANTS, INC.
P.O. Box 230 Valrico FL 33595
Phone No.: 813.659.9197

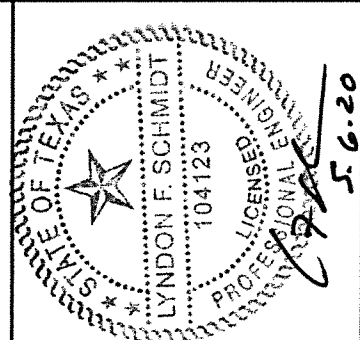
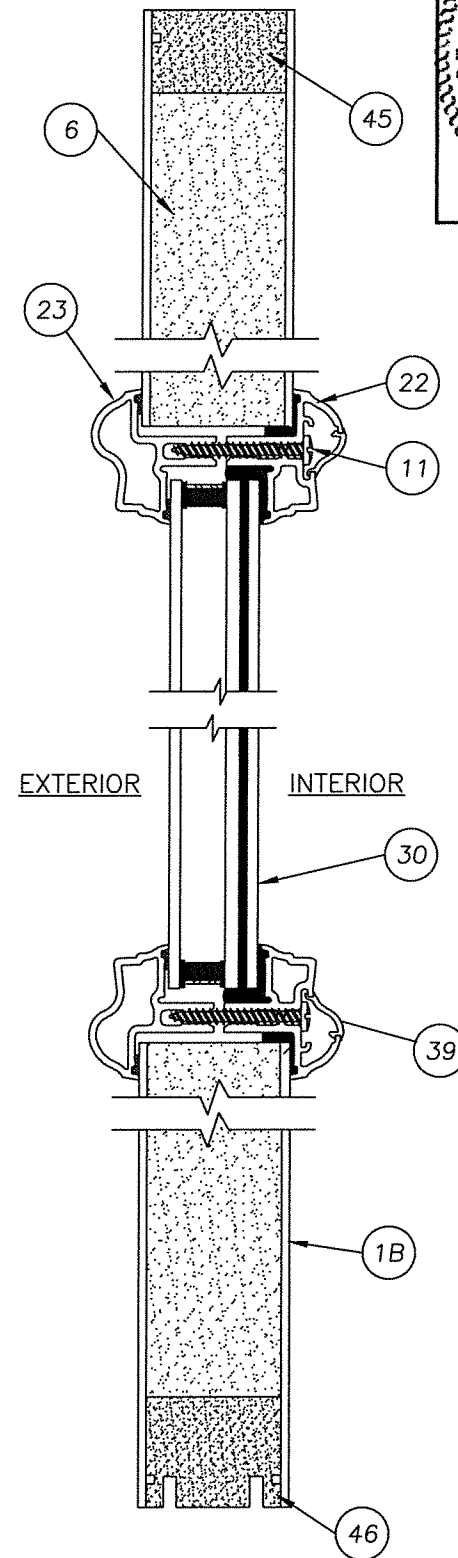
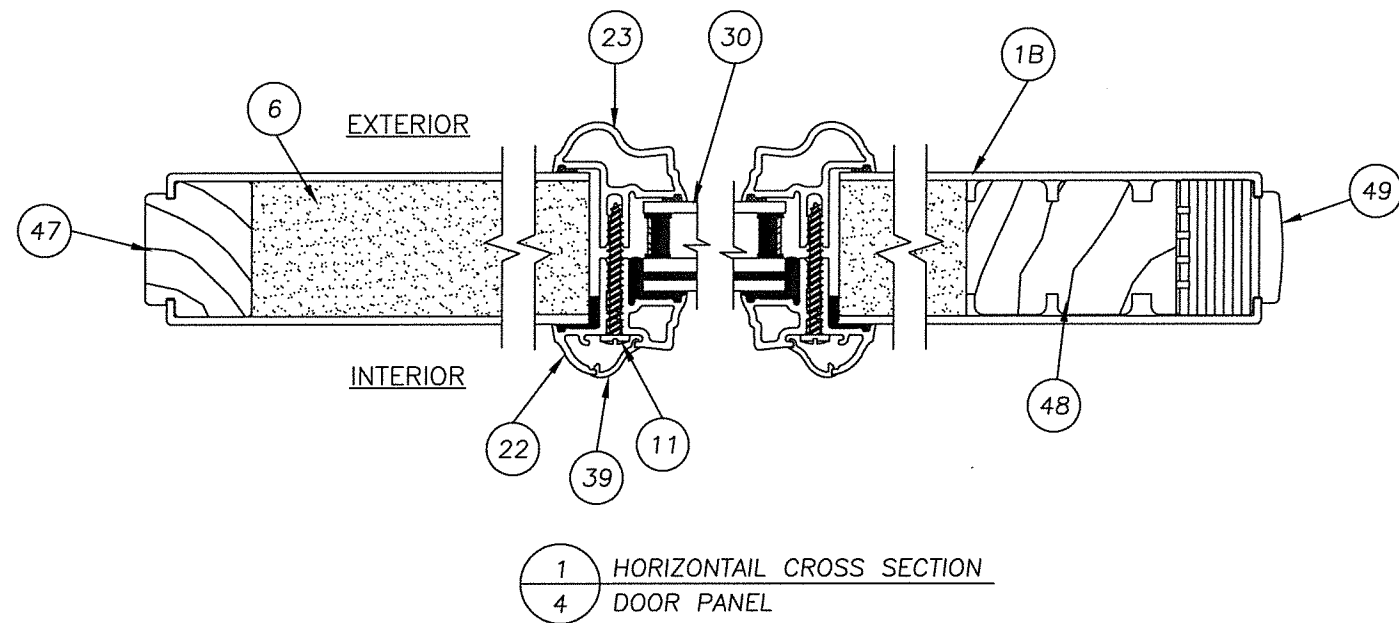
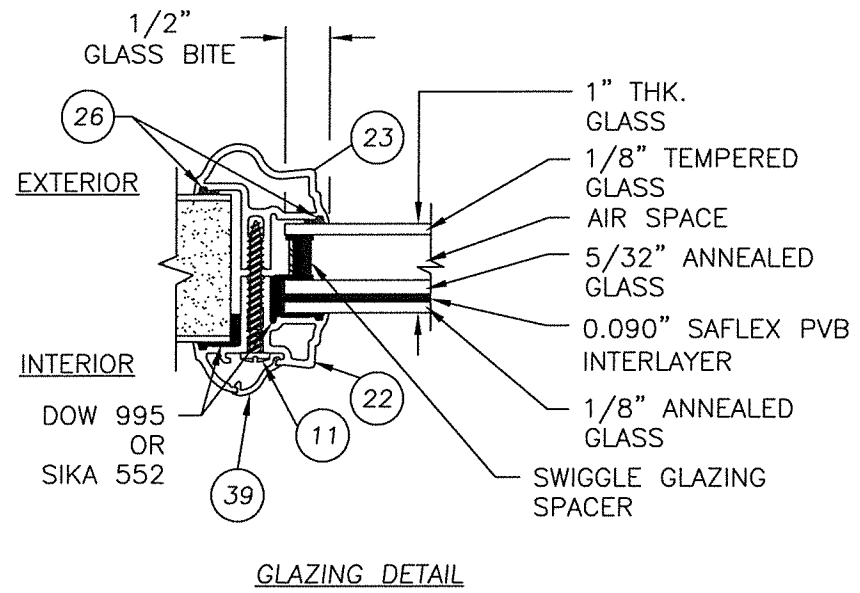
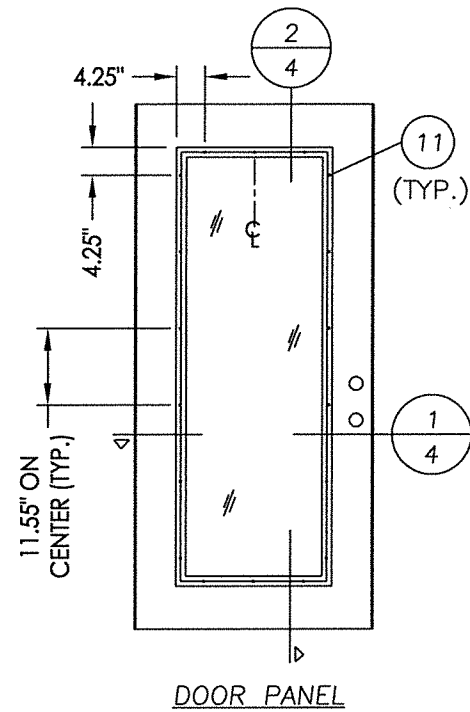
TEXAS BOARD OF PROFESSIONAL ENGINEERS
CERTIFICATE OF REGISTRATION # F-11852

PRODUCT: THERMA-TRU GLAZED FIBERGLASS DOOR IN/OUTSWING "IMPACT"
PART OR ASSEMBLY: "CLASSIC CRAFT" & "C.C. RUSTIC" DOOR PANEL DETAILS

NO.	DATE	REVISIONS
2	5/06/20	UPDATE TO 2018 IBC/IRC CODE
1	7/22/15	ADDED GENERAL NOTE 5.
LFS		
LFS		
BY		

DATE: 7/17/12
SCALE: N.T.S.
DWG. BY: JK
CHK. BY: LFS
DRAWING NO.: TX-4190
SHEET 3 OF 8

NOTE:
1. "RUSTIC" PANEL UTILIZES MAHOGANY GRAINING PATTERN,
"CLASSIC CRAFT" PANEL UTILIZES OAK GRAINING PATTERN.



Documents Prepared By: Lyndon F. Schmidt, P.E.
TEXAS P.E. #104123

RW BUILDING CONSULTANTS, INC.
P.O. Box 230 Valrico FL 33595
Phone No.: 813.689.9197

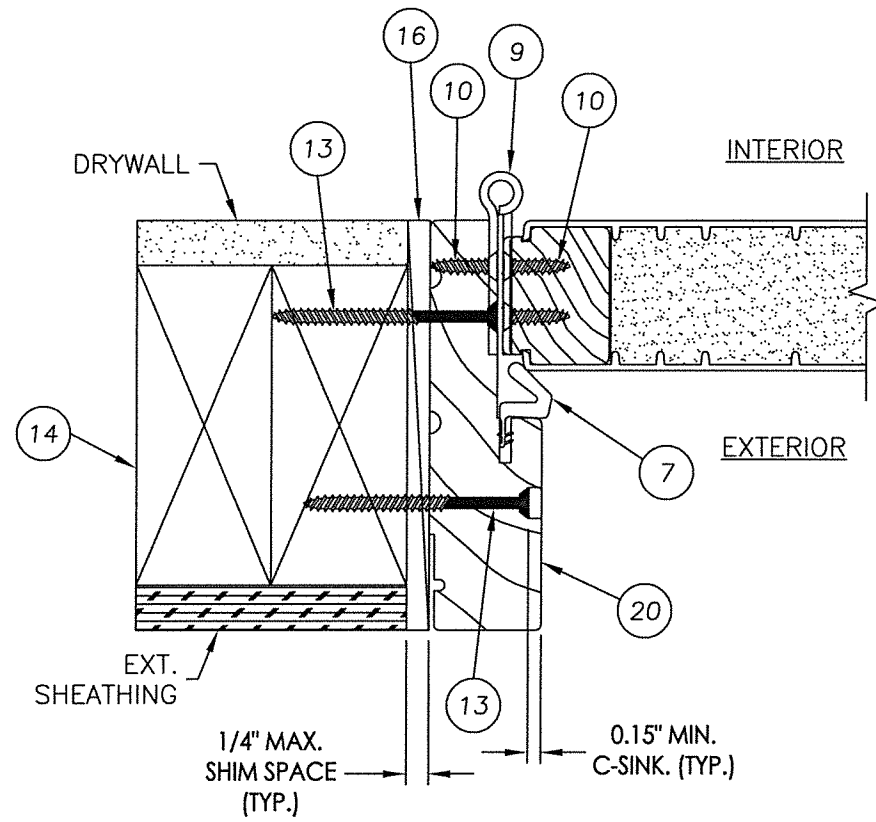
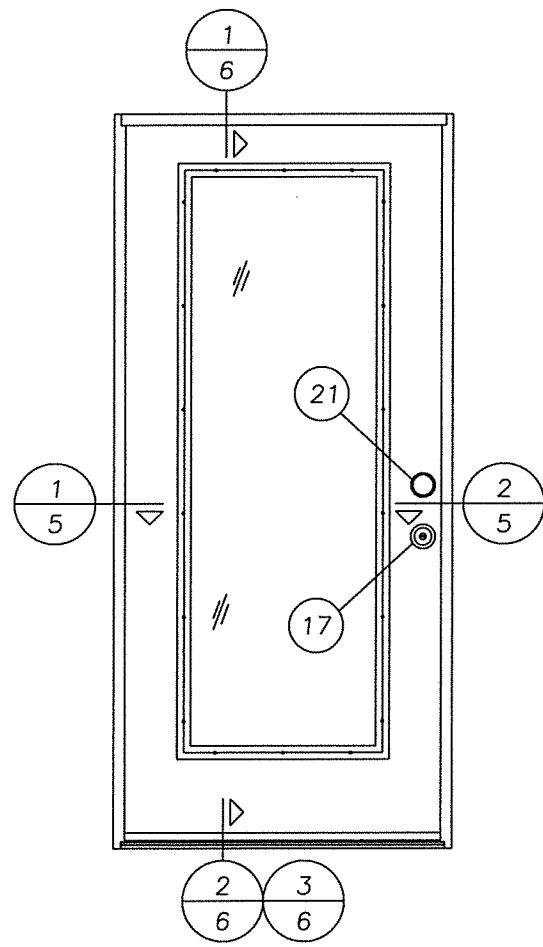
TEXAS BOARD OF PROFESSIONAL ENGINEERS
CERTIFICATE OF REGISTRATION # F-11852

PRODUCT: THERMA-TRU
GLAZED FIBERGLASS DOOR
IN/OUTSWING IMPACT

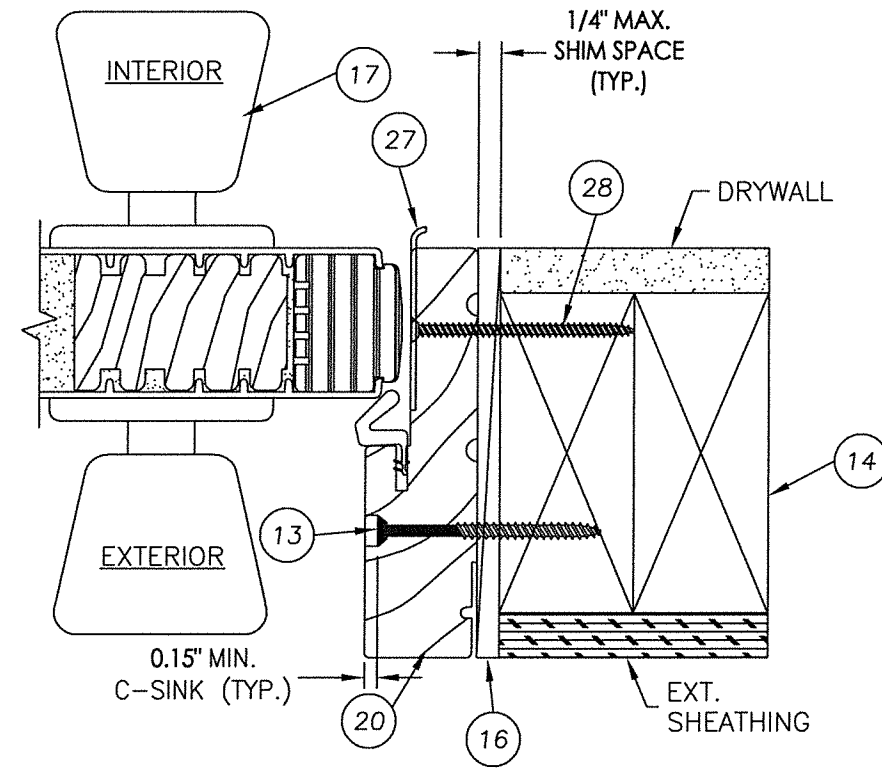
PART OR ASSEMBLY:
"FIBER CLASSIC"
DOOR PANEL DETAILS

NO.	DATE	REVISIONS
2	5/06/20	UPDATE TO 2018 IBC/IRC CODE
1	7/22/15	ADDED GENERAL NOTE 5.

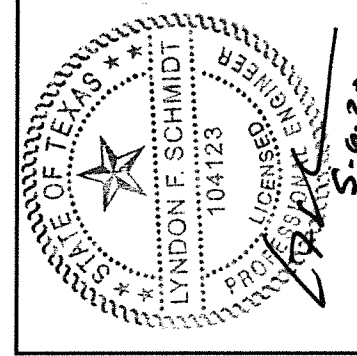
DATE: 7/17/12
SCALE: N.T.S.
DWG. BY: JK
CHK. BY: LFS
DRAWING NO.: TX-4190
SHEET 4 OF 8



1 HORIZONTAL CROSS SECTION
5 INSWING SHOWN (OUTSWING ALSO APPROVED)
("SMOOTH STAR SERIES" SHOWN)



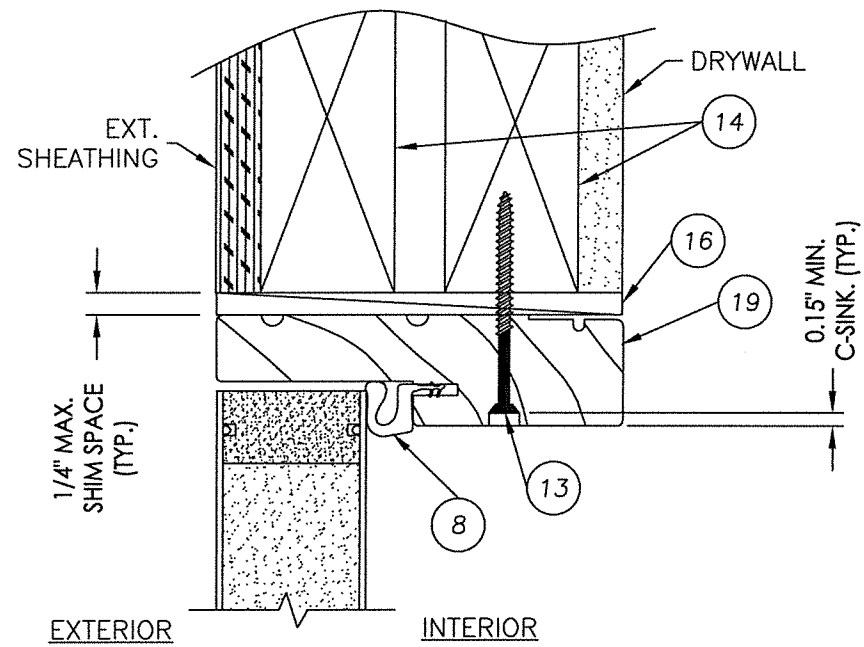
2 HORIZONTAL CROSS SECTION
5 INSWING SHOWN (OUTSWING ALSO APPROVED)
("SMOOTH STAR SERIES" SHOWN)



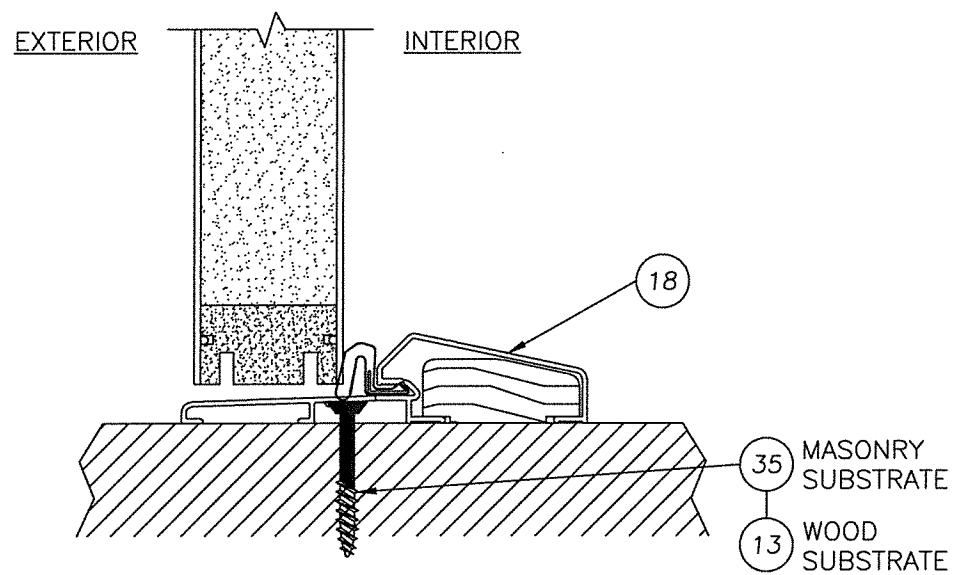
Documents Prepared By: Lyndon F. Schmidt, P.E.
TEXAS P.E. #104123

RW BUILDING CONSULTANTS, INC.
P.O. Box 230 Valrico FL 33595
Phone No.: 813.659.9197
TEXAS BOARD OF PROFESSIONAL ENGINEERS
CERTIFICATE OF REGISTRATION # F-11852

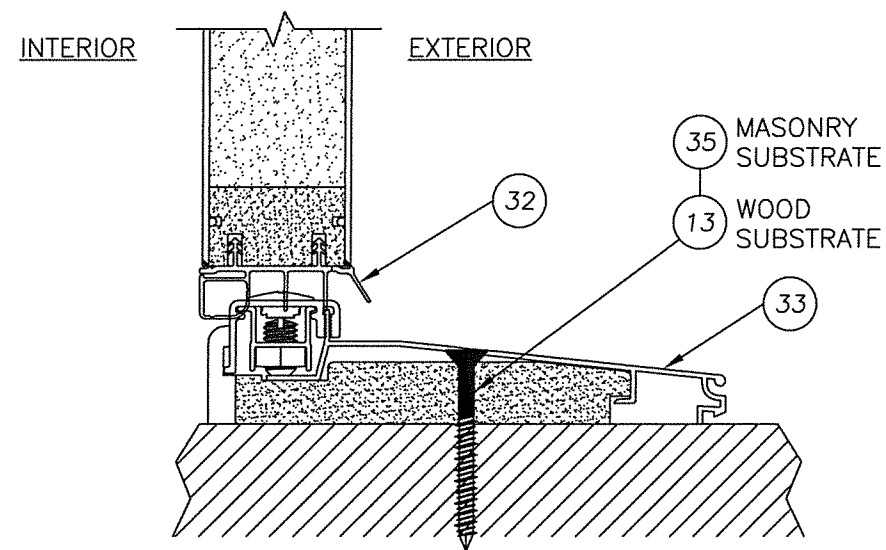
PRODUCT:		THERMA-TRU GLAZED FIBERGLASS DOOR IN/OUTSWING "IMPACT"	
PART OR ASSEMBLY:		HORIZONTAL CROSS SECTIONS	
NO.	DATE	BY	REVISIONS
2	5/06/20	LFS	UPDATE TO 2018 IBC/IRC CODE
1	7/22/15	LFS	ADDED GENERAL NOTE 5.
DATE: 7/17/12			
SCALE: N.T.S.			
DWG. BY: JK			
CHK. BY: LFS			
DRAWING NO.: TX-4190			
SHEET 5 OF 8			



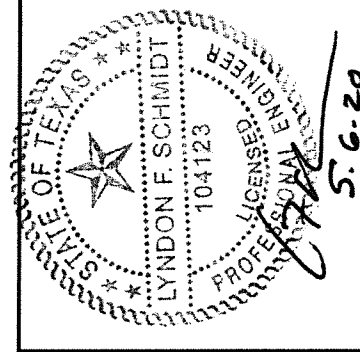
1 VERTICAL CROSS SECTION
6 OUTSWING SHOWN (INSWING ALSO APPROVED)
("SMOOTH STAR SERIES" SHOWN)



2 VERTICAL CROSS SECTION
6 OUTSWING CONFIGURATION
("SMOOTH STAR SERIES" SHOWN)



3 VERTICAL CROSS SECTION
6 INSWING CONFIGURATION
("SMOOTH STAR SERIES" SHOWN)



Documents Prepared By: Lyndon F. Schmidt, P.E.
TEXAS P.E. #104123

RW BUILDING CONSULTANTS, INC.
P.O. Box 230 Vairico FL 33595
Phone No.: 813.659.9197

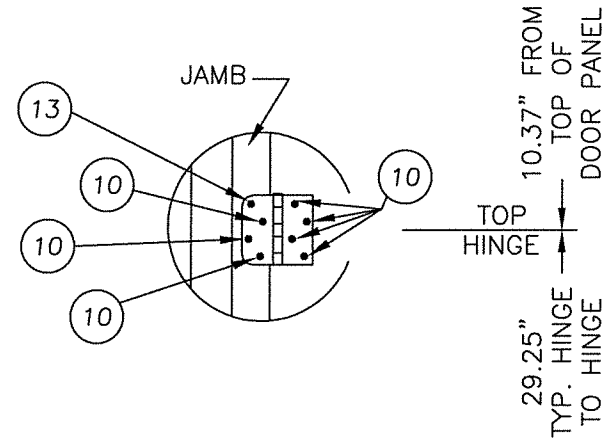
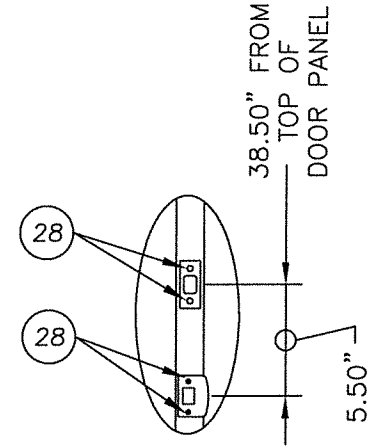
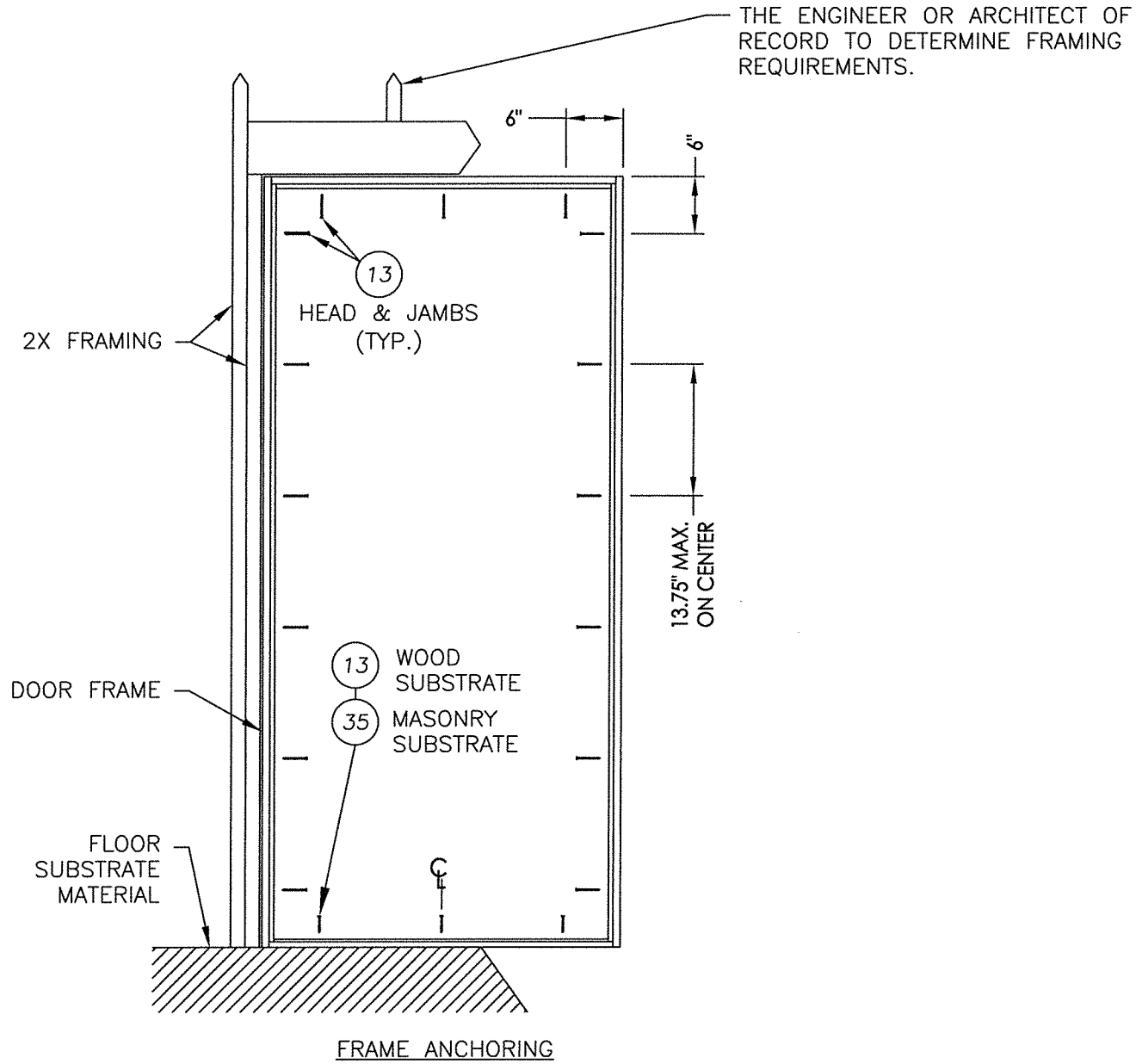
TEXAS BOARD OF PROFESSIONAL ENGINEERS
CERTIFICATE OF REGISTRATION # F-11852

PRODUCT: THERMA-TRU
GLAZED FIBERGLASS DOOR
IN/OUTSWING "IMPACT"

PART OR ASSEMBLY:
VERTICAL
CROSS SECTIONS

NO.	DATE	REVISIONS	LFS	BY
2	5/06/20	UPDATE TO 2018 IBC/IRC CODE	LFS	
1	7/22/15	ADDED GENERAL NOTE 5.	LFS	

DATE: 7/17/12
SCALE: N.T.S.
DWG. BY: JK
CHK. BY: LFS
DRAWING NO.: TX-4190
SHEET 6 OF 8



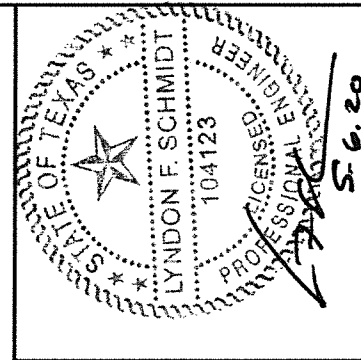
LATCH & DEADBOLT STRIKE PLATE DETAIL

HINGE DETAIL
(3) HINGES TOTAL

CONCRETE ANCHOR NOTES:

1. Concrete anchor locations at the corners may be adjusted to maintain the min. edge distance to mortar joints.
2. Concrete anchor locations noted as "MAX. ON CENTER" must be adjusted to maintain the min. edge distance to mortar joints, additional concrete anchors may be required to ensure the "MAX. ON CENTER" dimension are not exceeded.
3. Concrete anchor table:

ANCHOR TYPE	ANCHOR SIZE	MIN. EMBEDMENT	MIN. CLEARANCE TO MASONRY EDGE	MIN. CLEARANCE TO ADJACENT ANCHOR
ITW TAPCON®	1/4"	1-3/4"	2-1/2"	3"
ELCO ULTRACON®	1/4"	1-3/4"	1"	3"



Documents Prepared By: Lyndon F. Schmidt, P.E.
TEXAS P.E. #104123

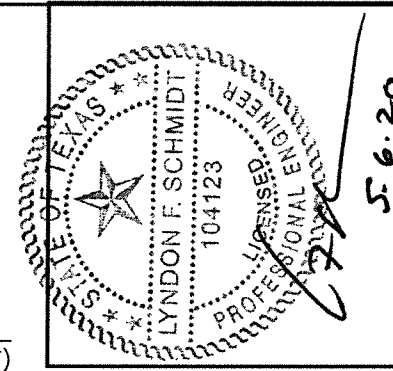
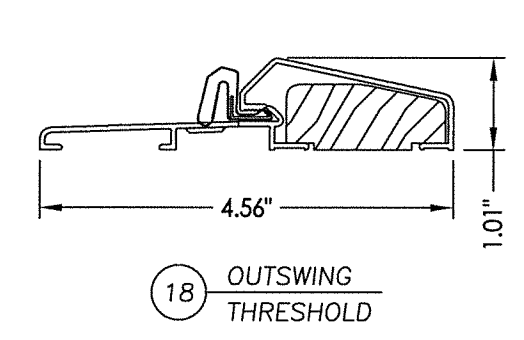
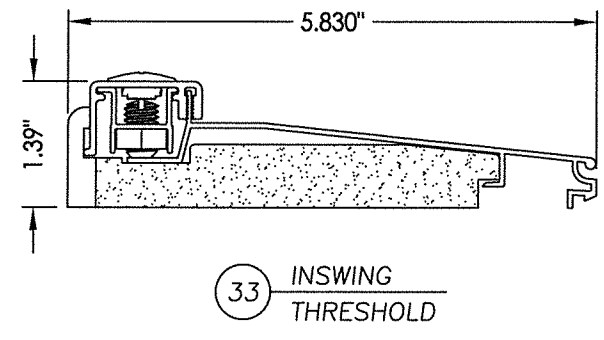
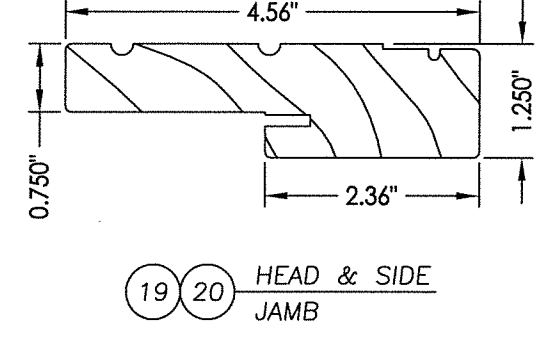
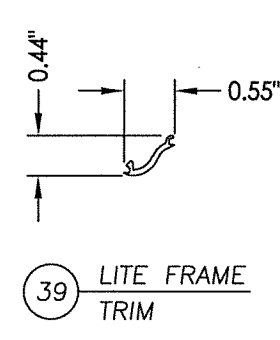
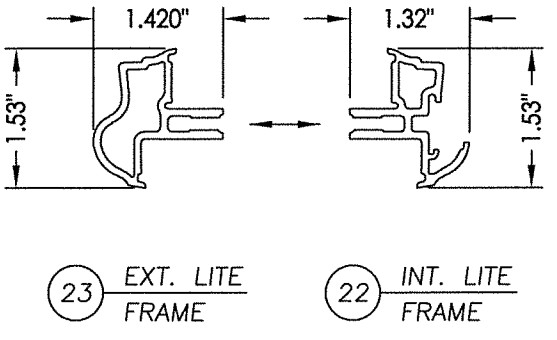
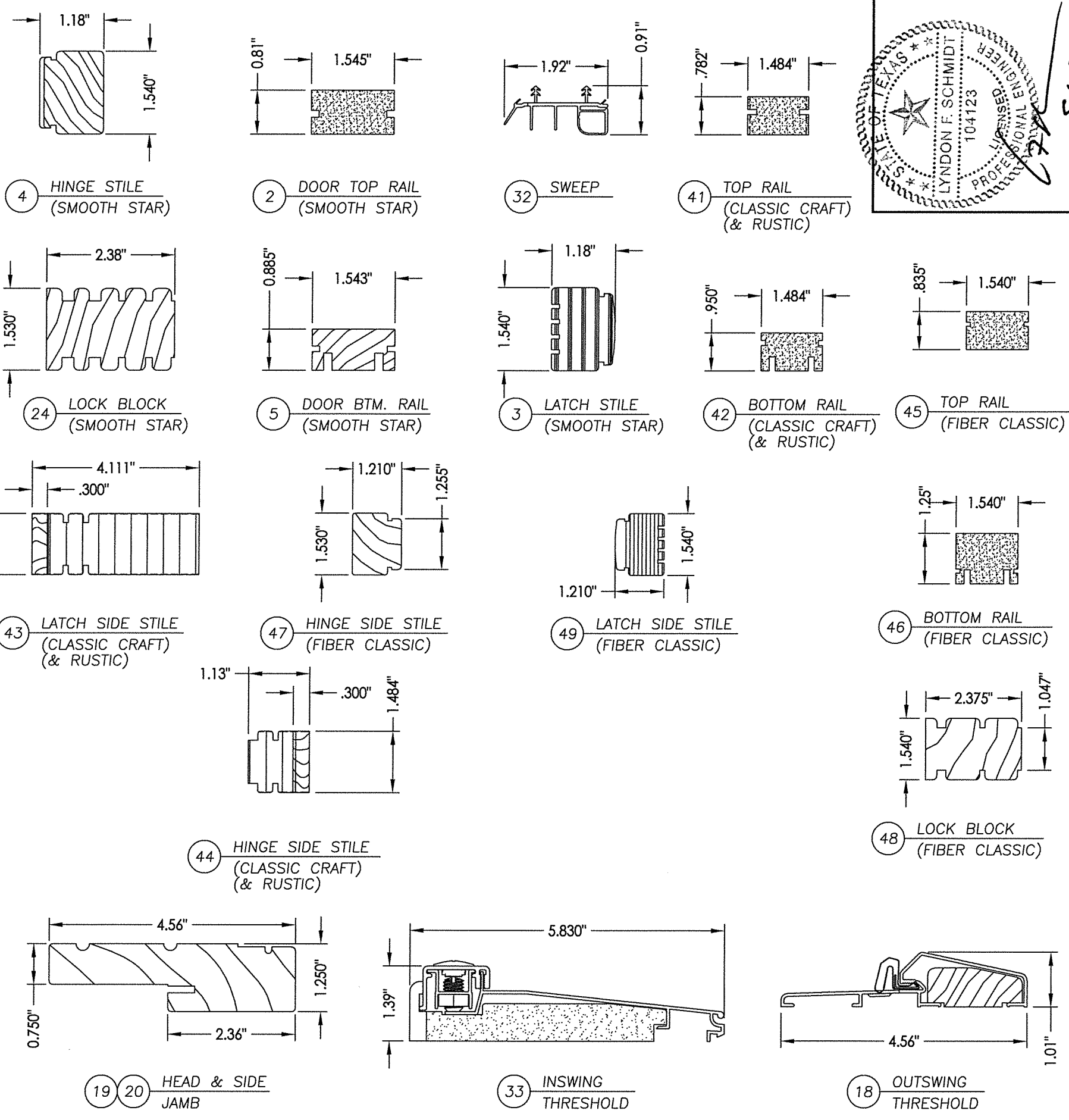
RW BUILDING CONSULTANTS, INC.
P.O. Box 230 Valrico FL 33595
Phone No.: 813.659.9197

TEXAS BOARD OF PROFESSIONAL ENGINEERS
CERTIFICATE OF REGISTRATION # F-11852

PRODUCT:	Therma-TRU GLAZED FIBERGLASS DOOR IN/OUTSWING "IMPACT"	
PART OR ASSEMBLY:	FRAME ANCHORING	
NO.	DATE	BY
2	5/06/20	LFS
1	7/22/15	LFS
REVISIONS		
DATE:	7/17/12	
SCALE:	N.T.S.	
DWG. BY:	JK	
CHK. BY:	LFS	
DRAWING NO.:	TX-4190	
SHEET	7	OF 8

R:\Clients\Therma Tru PERMANENT\B - Texas Dept of Ins\TDI - DR 330 - 68 Glazed FG Imp IS - OS Sgls Dbls w-wo Imp SL\C - Drawings\Current\TX-4190-94.dwg, 0.8

Item	DESCRIPTION	Material
1	DOOR SKIN; SMOOTH STAR SERIES (.065" MIN.)	FIBERGLASS
1A	DOOR SKIN; CLASSIC CRAFT & RUSTIC SERIES (.090" MIN.)	FIBERGLASS
1B	DOOR SKIN; FIBER CLASSIC SERIES (.065" MIN.)	FIBERGLASS
2	TOP RAIL DOOR THERMA-TRU (SMOOTH STAR)	COMP.
3	LATCH STILE DOOR THERMA-TRU (SMOOTH STAR)	LVL
4	HINGE STILE DOOR THERMA-TRU (SMOOTH STAR)	WOOD
5	BOTTOM RAIL DOOR THERMA-TRU (SMOOTH STAR)	COMP.
6	POLYURETHANE FOAM	FOAM
7	MEDIUM REACH COMPRESSION WEATHER-STRIP (THERMA-TRU)	FOAM
8	LONG REACH COMPRESSION WEATHER-STRIP (THERMA-TRU)	FOAM
9	4" x 4" HINGE .097" THK. (THERMA-TRU)	STEEL
10	#10 x 3/4" PFH WOOD SCREW (Hinge to Frame)	STEEL
11	#10 x 1-1/2" PPH SHEET METAL SCREW	STEEL
13	#10 x 2-1/2" PFH WOOD SCREW	STEEL
14	2X FRAMING (G >= 0.42)	WOOD
16	MAX. 1/4" SHIM MATERIAL	WOOD
17	LOCK - KWIKSET 200 SERIES	STEEL
18	THRESHOLD OUTSWING (THERMA-TRU)	ALUM./WOOD
19	HEADER JAMB (4.656" x 1.25" THERMA-TRU, PINE)	WOOD
20	SIDE JAMB (4.656" x 1.25" THERMA-TRU) (FJ PINE)	WOOD
21	DEADBOLT - KWIKSET 600 SERIES	STEEL
22	INTERIOR LITE FRAME	ALUM.
23	EXTERIOR LITE FRAME	ALUM.
24	LOCK BLOCK	WOOD
26	CELLULAR GLAZING TAPE	FOAM
27	LATCH STRIKE	STEEL
28	#8 x 2-1/2" PFH WOOD SCREW	STEEL
30	1" THK. INSUL. LAMINATED GLASS (SAFLEX PVB INTERLAYER) 1/8" TEMP.-AIR- 5/32" ANN./0.090" PVB INTERLAYER/1/8" ANN.	GLASS
32	DOOR BOTTOM SWEEP (INSWING)	PVC
33	INSWING THRESHOLD	ALUM./COMP.
35	1/4" ELCO OR ITW CONCRETE SCREW (1-3/4" MIN. EMB.)	STEEL
39	LITE FRAME TRIM	ALUM.
41	TOP RAIL (CLASSIC CRAFT & RUSTIC)	COMP.
42	BOTTOM RAIL (CLASSIC CRAFT & RUSTIC)	COMP.
43	LATCH SIDE STILE (CLASSIC CRAFT & RUSTIC)	LSL / OAK
44	HINGE SIDE STILE (CLASSIC CRAFT & RUSTIC)	LSL / OAK
45	TOP RAIL (FIBER CLASSIC)	COMP.
46	BOTTOM RAIL (FIBER CLASSIC)	COMP.
47	HINGE SIDE STILE (FIBER CLASSIC)	WOOD
48	LOCK BLOCK (FIBER CLASSIC)	WOOD
49	LATCH SIDE STILE (FIBER CLASSIC)	LVL / OAK



Documents Prepared By: Lyndon F. Schmidt, P.E.
TEXAS P.E. #104123

RW BUILDING CONSULTANTS, INC.
P.O. Box 230 Valrico FL, 33595
Phone No.: 813.659.9197

TEXAS BOARD OF PROFESSIONAL ENGINEERS
CERTIFICATE OF REGISTRATION # F-11852

PRODUCT: THERMA-TRU
GLAZED FIBERGLASS DOOR
IN/OUTSWING "IMPACT"

PART OR ASSEMBLY: BILL OF MATERIALS & COMPONENTS

NO.	DATE	BY	REVISIONS
2	5/06/20	LFS	UPDATE TO 2018 IBC/IRC CODE
1	7/22/15	LFS	ADDED GENERAL NOTE 5.

DATE: 7/17/12
SCALE: N.T.S.
DWG. BY: JK
CHK. BY: LFS
DRAWING NO.: TX-4190
SHEET 8 OF 8