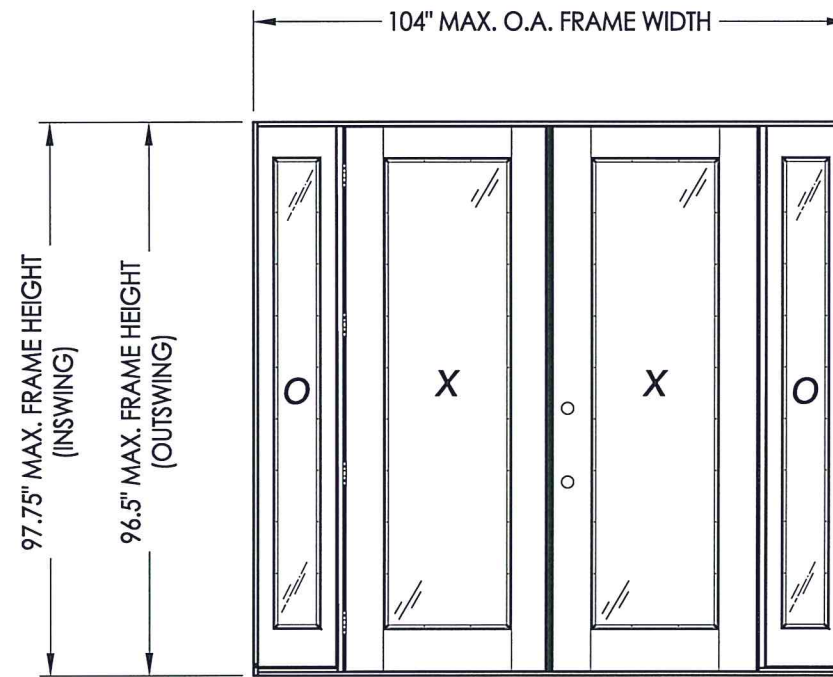


"Teak" GLAZED FIBERGLASS DOUBLE DOOR w/ SIDELITE(S) "NON-IMPACT" IN SWING / OUT SWING



Continuous Head and Sill

CONFIGURATION	DESIGN PRESSURE (PSF) IN SWING		DESIGN PRESSURE (PSF) OUT SWING	
	POSITIVE	NEGATIVE	POSITIVE	NEGATIVE
OXXO	+45.0	-45.0	+45.0	-45.0

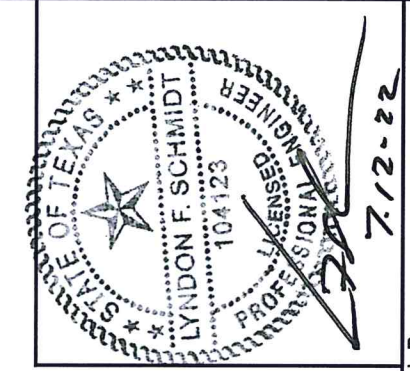
EVALUATED FOR USE IN THE STATE OF TEXAS

The Fiberglass Door system described herein complies with the 2018 International Residential Code (IRC), Sections R301 & R609 and the 2018 International Building Code (IBC), Sections 1404.13, 1609, 1709.5, 2403 and 2404 subject to the following conditions:

1. Anchors shall be as listed and spaced as shown in the details. Anchor embedment to base material shall be beyond wall dressing or stucco.
2. When used in areas requiring wind-borne debris protection this product is required to be protected with an impact resistant covering that complies with Section R301.2.1.2 of the IRC and Section 1609.1.2 of the IBC.
3. Allowable design pressure requirements must be equal to or less than the design pressure rating shown in the design pressure chart, sheet 1 of this drawing.
4. Conditions not covered by this drawing are subject to further engineering analysis.

TABLE OF CONTENTS

SHEET #	DESCRIPTION
1	Typical elevations, design pressures & general notes
2	Door panel details
3	Sidelite panel details
4	Elevations
5	Horizontal & vertical cross sections
6	Horizontal cross sections
7	Vertical cross sections
8	Frame anchoring
9	Components
10	Bill of materials



Documents Prepared By: Lyndon F. Schmidt, P.E.
TEXAS P.E. #104123

RW BUILDING CONSULTANTS, INC.
P.O. Box 230 Valrico FL 33595
Phone No.: 813.659.9197

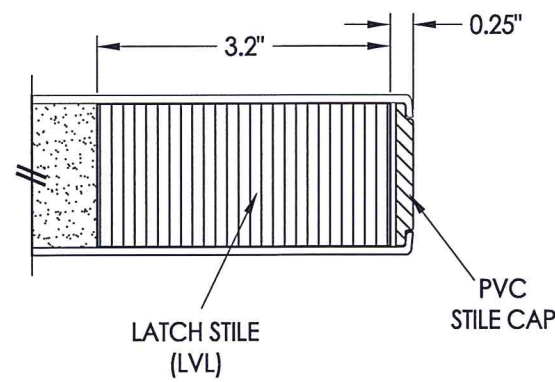
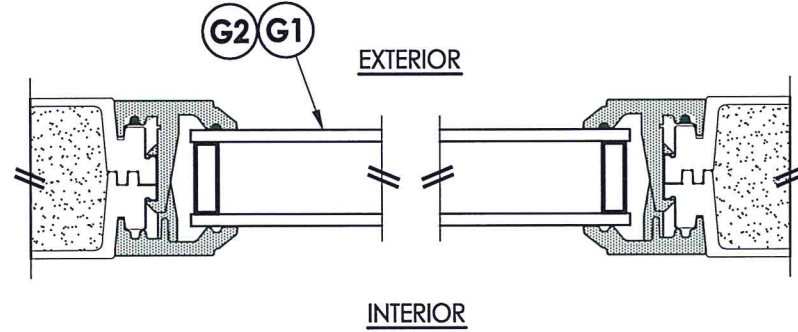
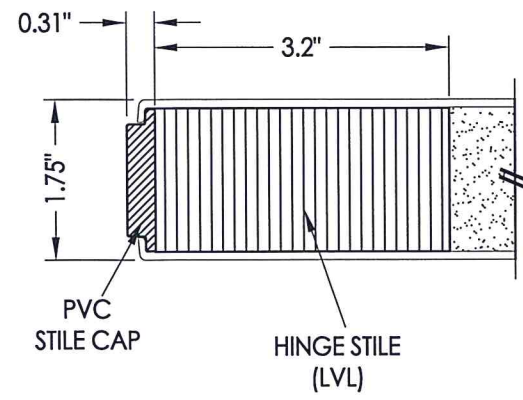
CERTIFICATE OF REGISTRATION # F-11852

PRODUCT:	TRINITY GLASS INT'L
PART OR ASSEMBLY:	TYPICAL ELEVATION, DESIGN PRESSURES & GENERAL NOTES

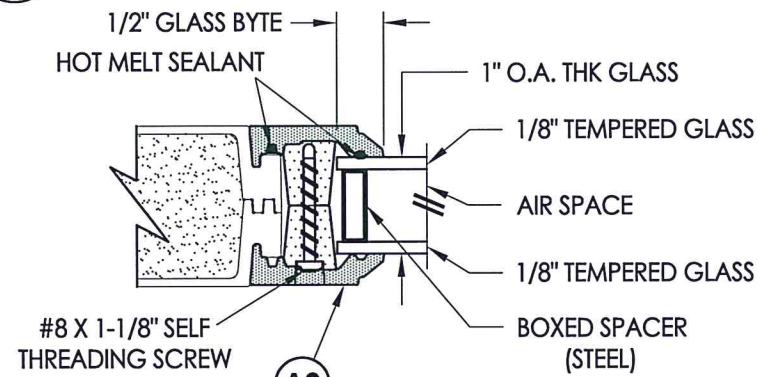
NO.	DATE	BY	REVISIONS

DATE: 7/11/22
SCALE: N.T.S.
DWG. BY: RW
CHK. BY: LFS
DRAWING NO.: TX-5273
SHEET 1 OF 10

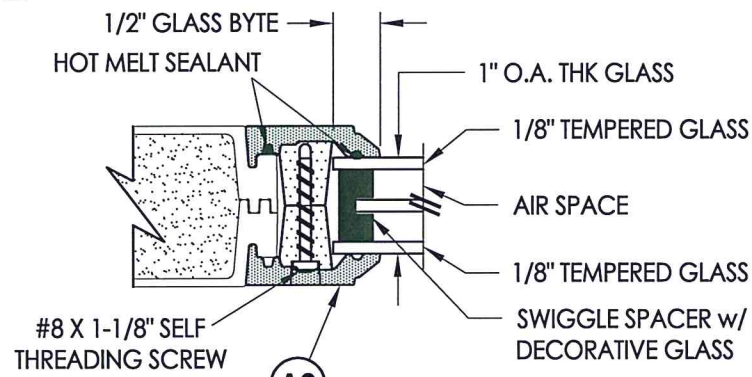
Z:\Clients\Trinity Glass PERMANENT\B - Texas Dept of Ins\DR-XXXX 8-0 GLZ FG - NON-IMP\VC - Drawings\TX-5271-73.dwg



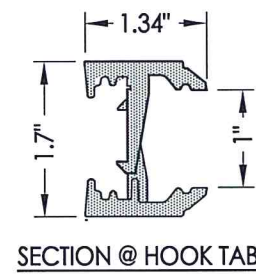
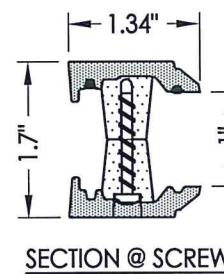
1
2 **HORIZONTAL CROSS SECTION**



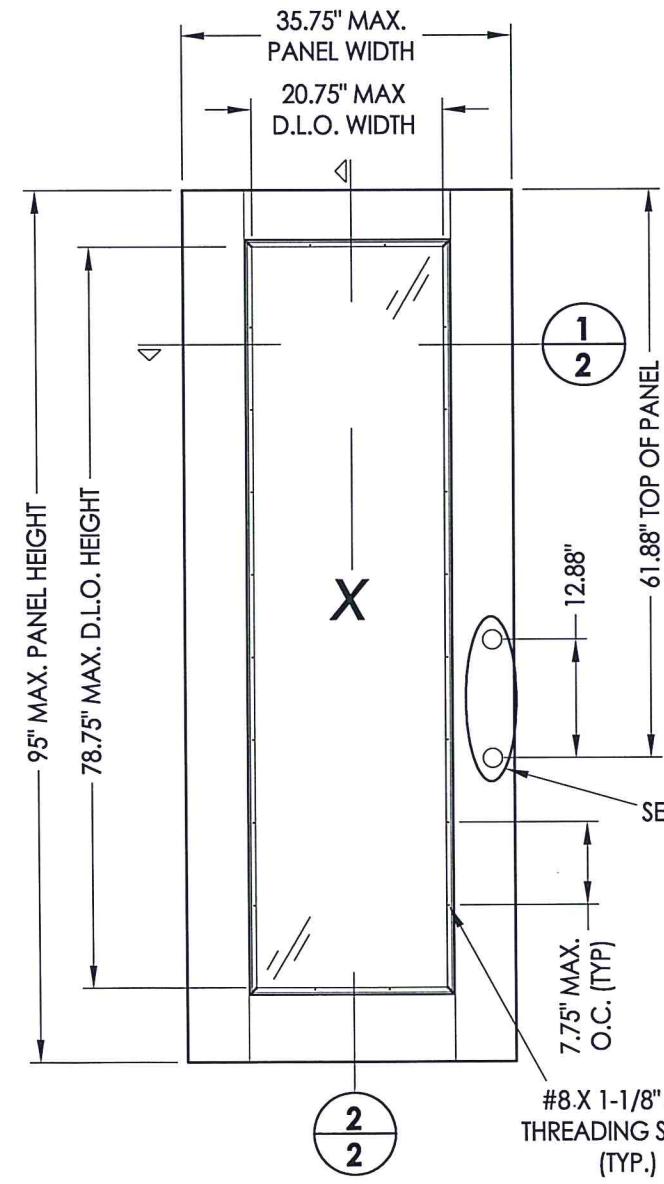
G1 **GLAZING DETAIL**



G2 **GLAZING DETAIL**
DECORATIVE GLASS

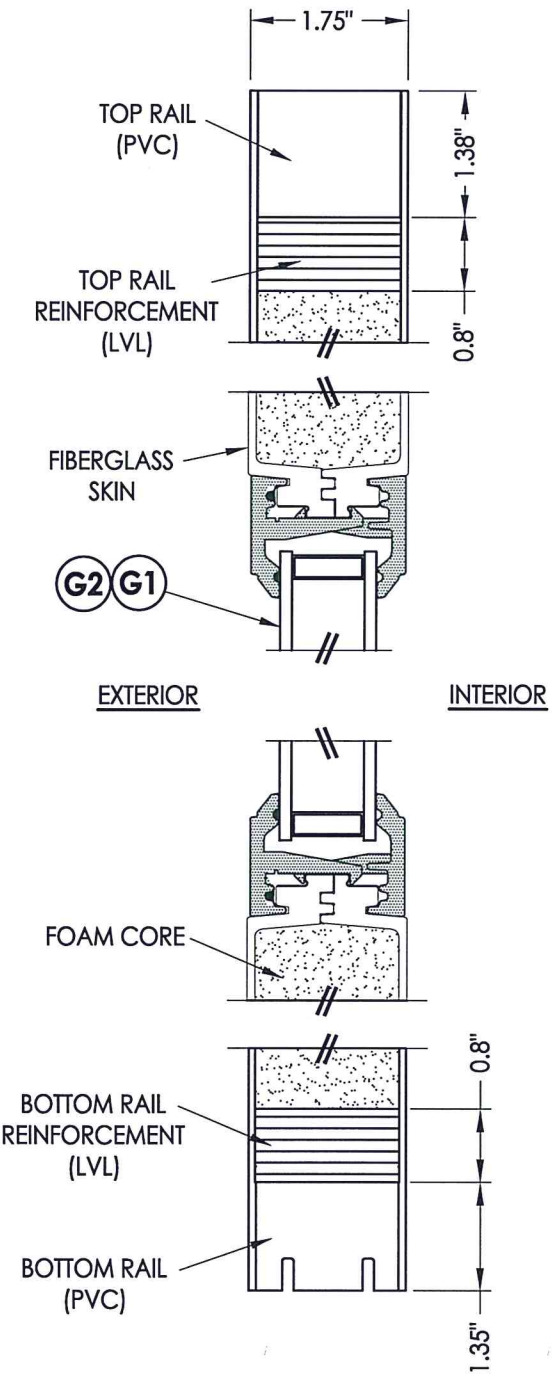


A2 **FLUSH GLAZING FRAME**
FIBERGLASS



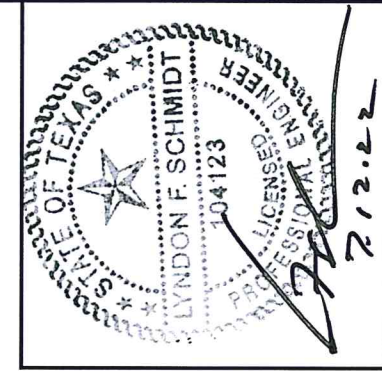
40 **GLAZED DOOR PANEL**
TEAK

DOOR SKIN: 0.079" MIN. THK. FIBERGLASS
CORE MATERIAL: POLYURETHANE FOAM



2
2 **VERTICAL CROSS SECTION**

HARDWARE CHART	
MANUFACTURER	MODEL
KWIKSET	KNOB: SIGNATURE SERIES
	DEADBOLT: SIGNATURE SERIES (980)
SCHLAGE	KNOB: F SERIES
	DEADBOLT: B60 SERIES



Documents Prepared By: Lyndon F. Schmidt, P.E.
TEXAS P.E. #104123

RW BUILDING CONSULTANTS, INC.
P.O. Box 230 Valrico FL 33595
Phone No.: 813.659.9197

CERTIFICATE OF REGISTRATION # F-11852

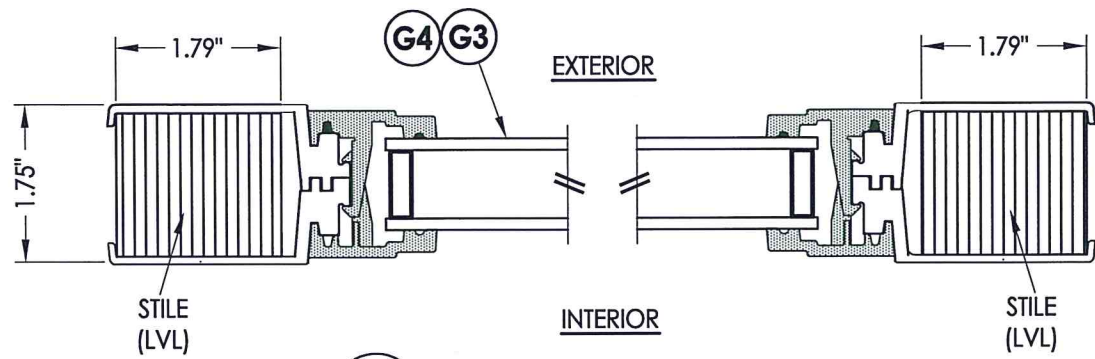
PRODUCT: TRINITY GLASS INT'L

PART OR ASSEMBLY: DOOR PANEL DETAILS

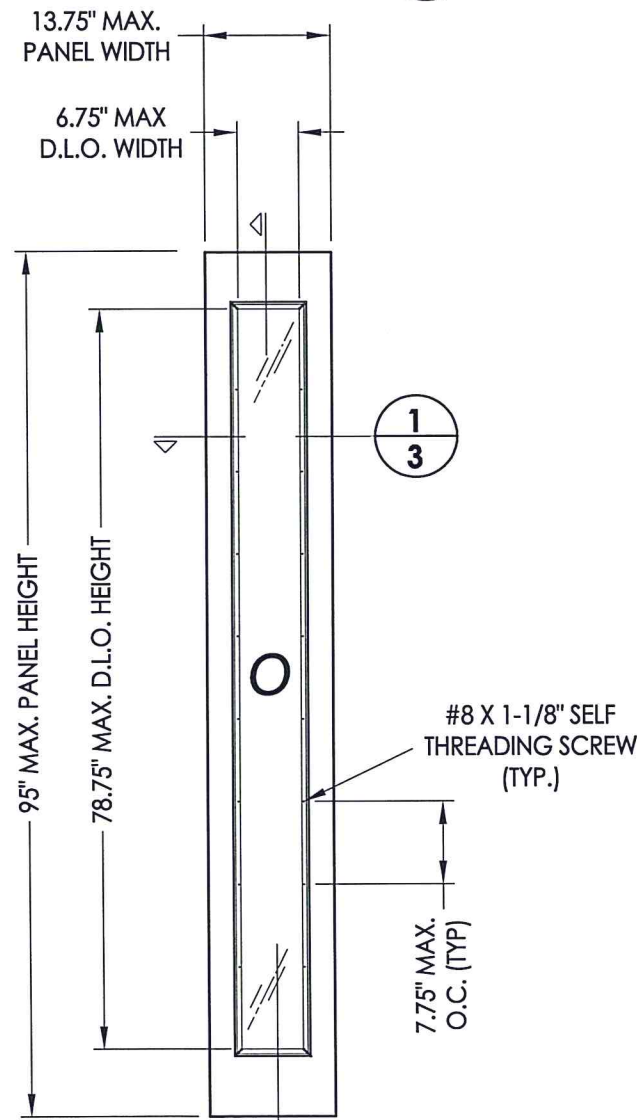
NO.	DATE	BY	REVISIONS

DATE: 7/11/22
SCALE: N.T.S.
DWG. BY: RW
CHK. BY: LFS
DRAWING NO.: TX-5273
SHEET 2 OF 10

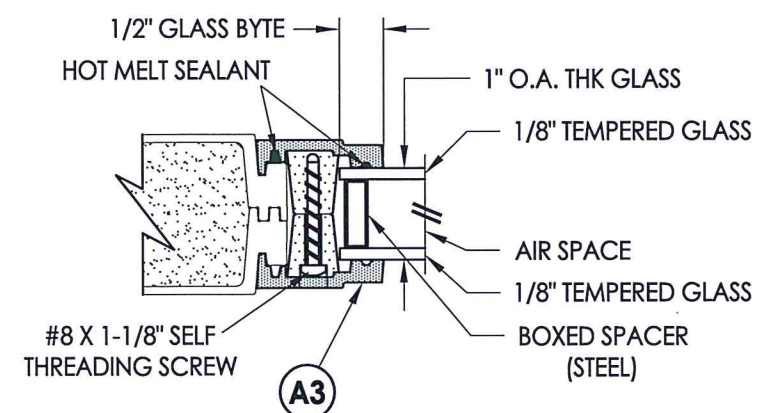
Z:\Clients\Trinity Glass PERMANENT\B - Texas Dept of Ins\DR-XXXX 8-0 GLZ FG - NON-IMP\C - Drawings\TX-5271-73.dwg



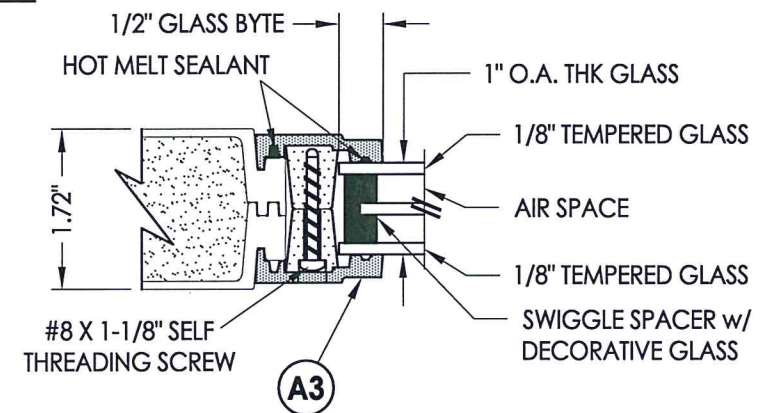
1
3 HORIZONTAL CROSS SECTION



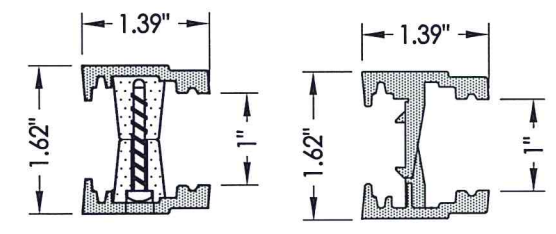
2
3
50 SIDELITE PANEL
TEAK



A3 GLAZING DETAIL

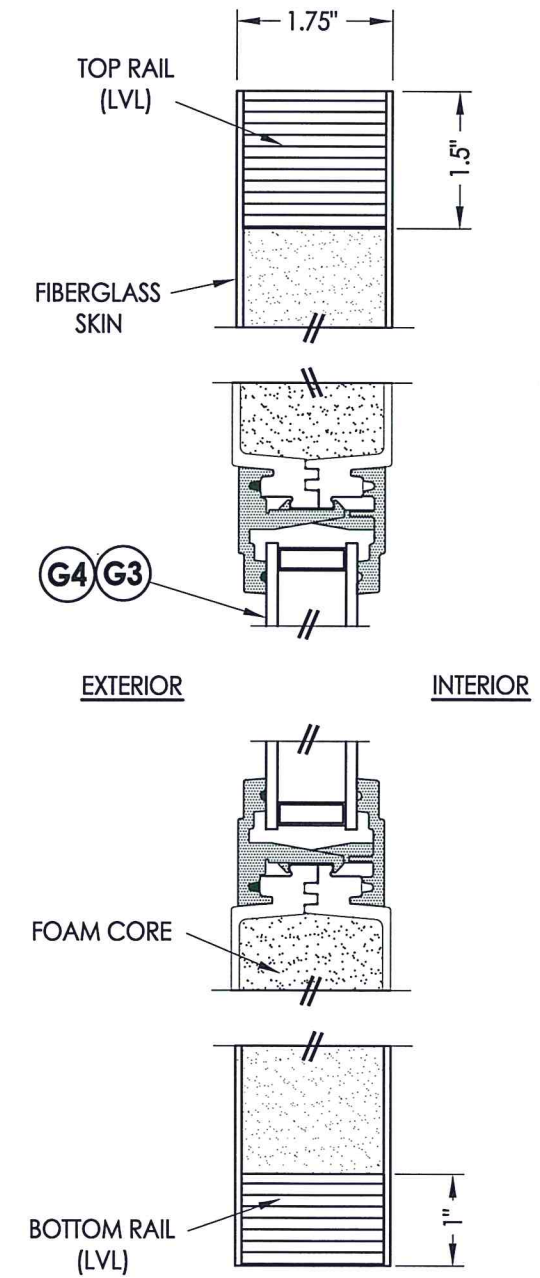


G4 GLAZING DETAIL
DECORATIVE GLASS

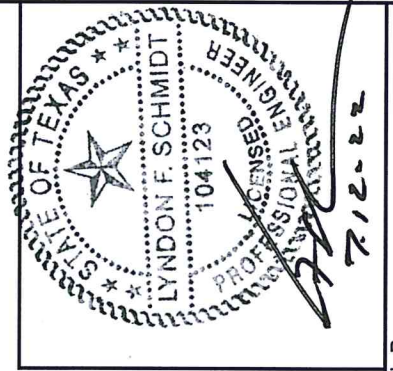


SECTION @ SCREW SECTION @ HOOK TAB

A3 FLUSH GLAZING FRAME
FIBERGLASS



2
3 VERTICAL CROSS SECTION



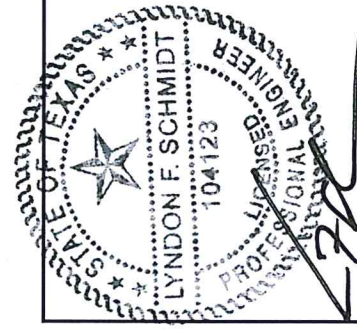
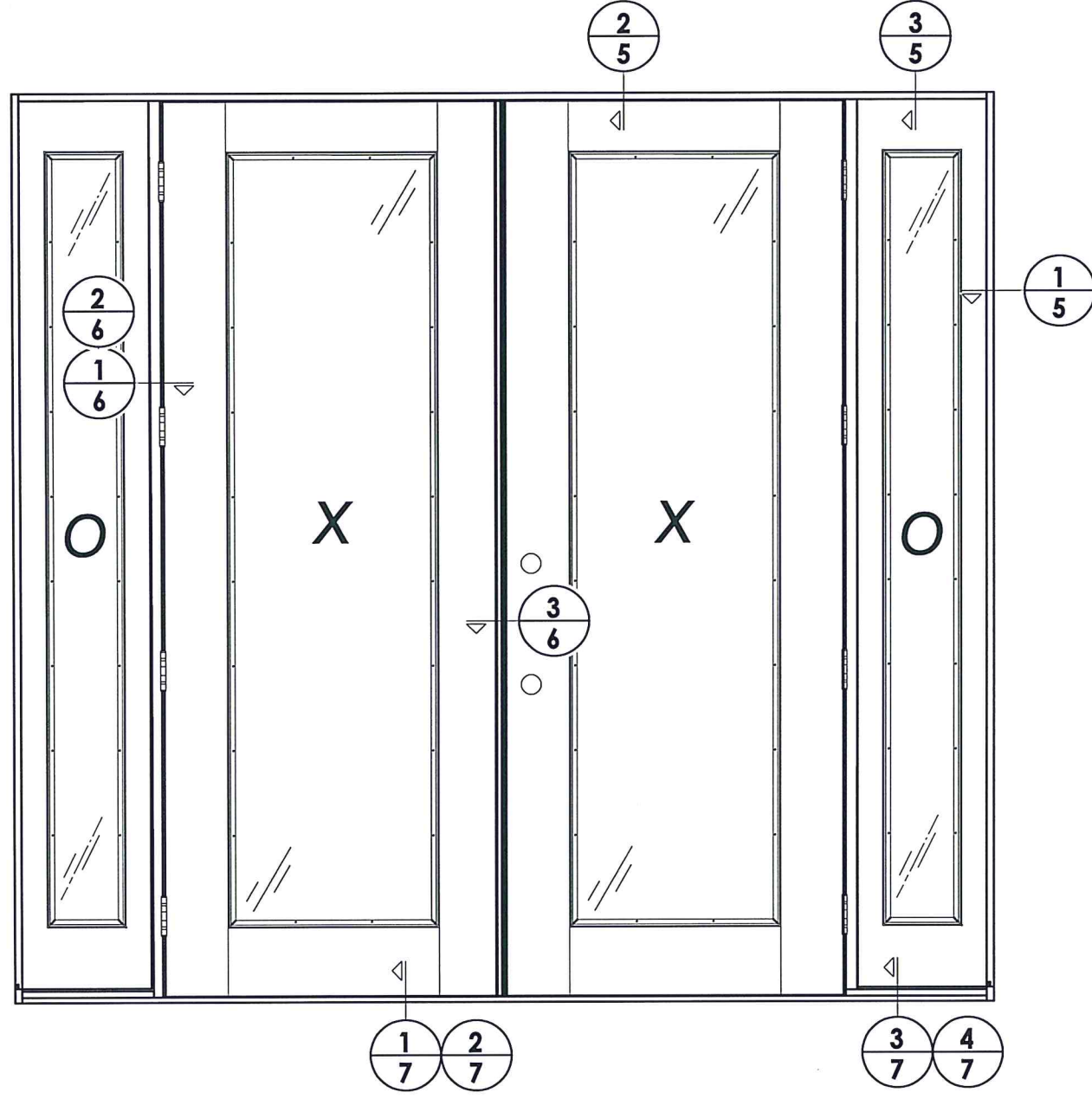
Documents Prepared By: Lyndon F. Schmidt, P.E.
TEXAS P.E. #104123

RW BUILDING CONSULTANTS, INC.
P.O. Box 230 Valrico FL 33595
Phone No.: 813.659.9197

CERTIFICATE OF REGISTRATION # F-11852

PRODUCT: TRINITY GLASS INT'L	
PART OR ASSEMBLY: DOOR PANEL DETAILS	
NO.	DATE
BY	REVISIONS
DATE: 7/11/22	
SCALE: N.T.S.	
DWG. BY: RW	
CHK. BY: LFS	
DRAWING NO.: TX-5273	
SHEET 3 OF 10	

© 2022 R.W. BUILDING CONSULTANTS INC.



Documents Prepared By: Lyndon F. Schmidt, P.E.
TEXAS P.E. #104123

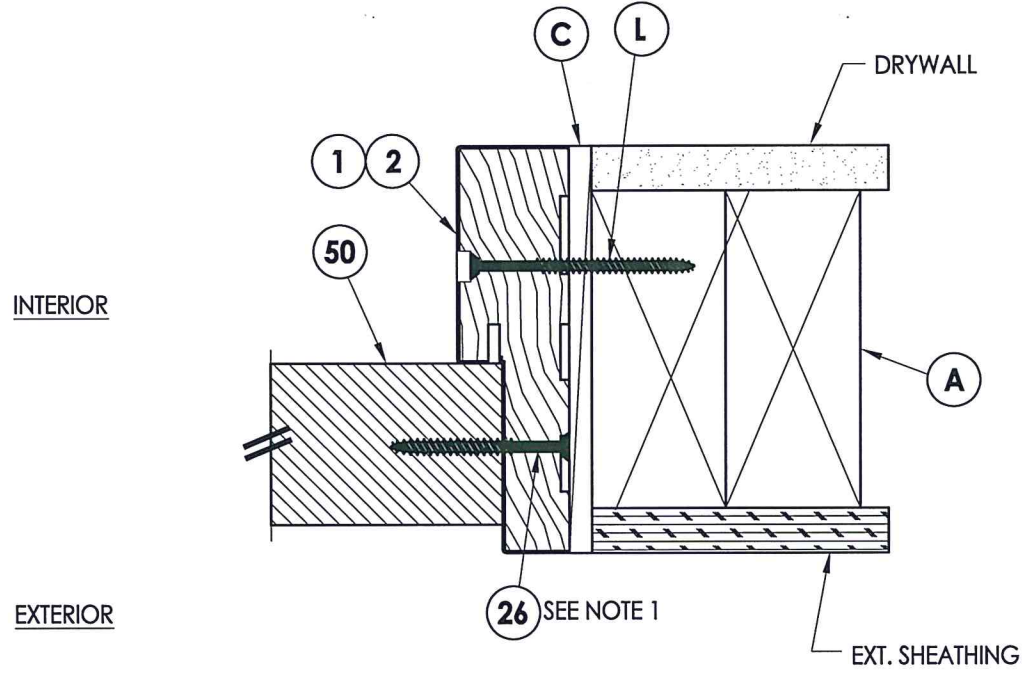
RW BUILDING CONSULTANTS, INC.
P.O. Box 230 Valrico FL 33595
Phone No.: 813.659.9197

CERTIFICATE OF REGISTRATION # F-11852

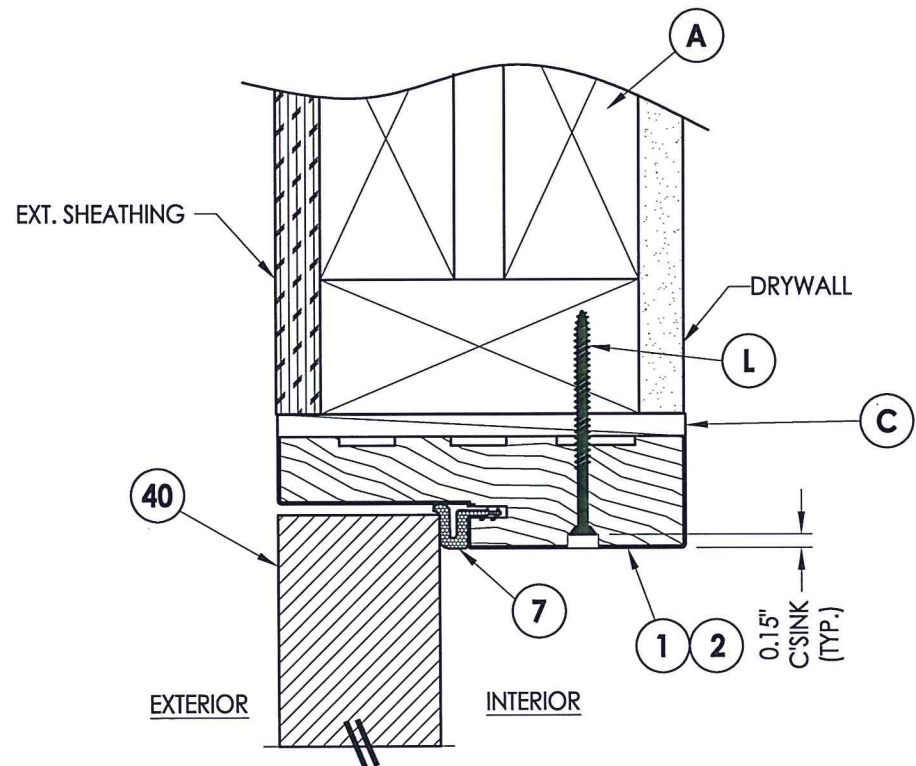
PRODUCT: TRINITY GLASS INT'L
PART OR ASSEMBLY: ELEVATIONS

NO.	DATE	REVISIONS	BY

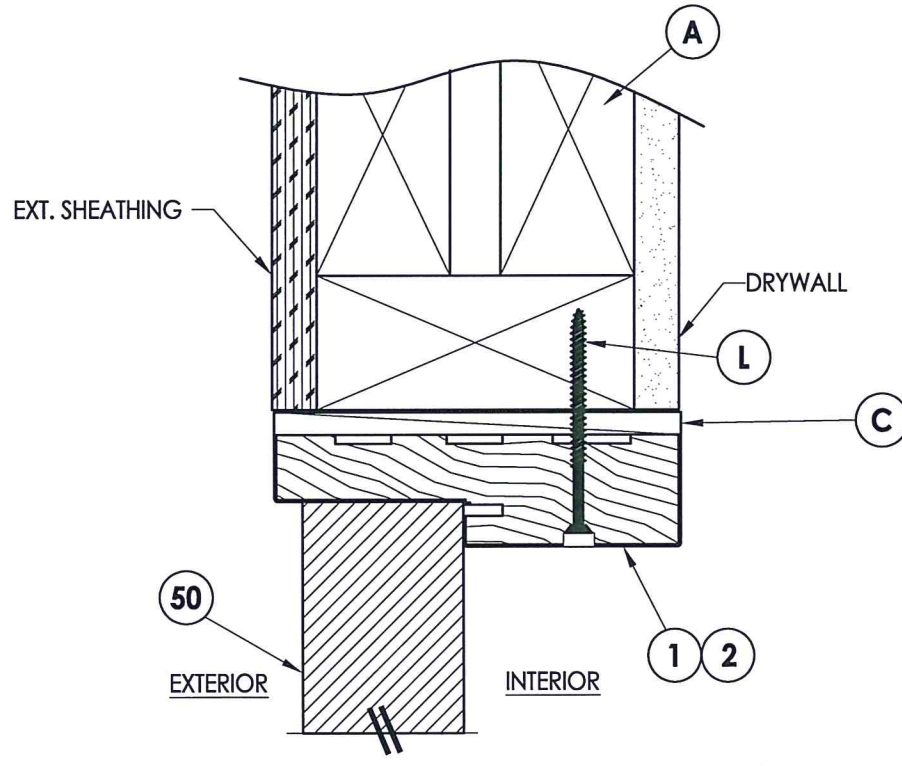
DATE: 7/11/22
SCALE: N.T.S.
DWG. BY: RW
CHK. BY: LFS
DRAWING NO.: TX-5273
SHEET 4 of 10



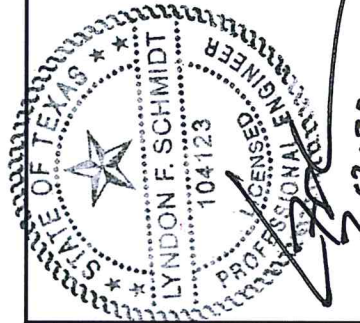
1 HORIZONTAL CROSS SECTION
 5 Outswing shown (Inswing similar)



2 VERTICAL CROSS SECTION
 5 Outswing shown (Inswing similar)



3 VERTICAL CROSS SECTION
 5 Outswing shown (Inswing similar)



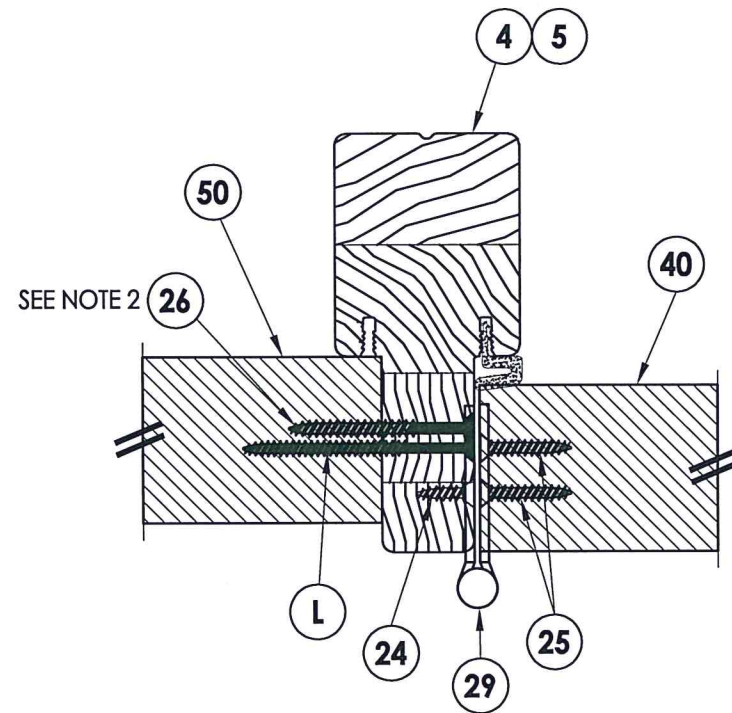
NOTES:
 1. Item #26 located 6" from each end and 3 more equally spaced (5 total).

Documents Prepared By: Lyndon F. Schmidt, P.E. TEXAS P.E. #104123		BUILDING CONSULTANTS, INC. P.O. Box 230 Valrico FL, 33595 Phone No.: 813.659.9197	
PRODUCT: TRINITY GLASS INT'L		PART OR ASSEMBLY: HORIZONTAL & VERTICAL CROSS SECTIONS	
NO.		DATE	
BY		REVISIONS	
DATE: 7/11/22			
SCALE: N.T.S.			
DWG. BY: RW			
CHK. BY: LFS			
DRAWING NO.: TX-5273			
SHEET 5 OF 10			

Z:\Clients\Trinity Glass PERMANENT\B - Texas Dept of Ins\DR-XXXX 8-0 GLZ FG - NON-IMP\C - Drawings\TX-5271-73.dwg

NOTES:

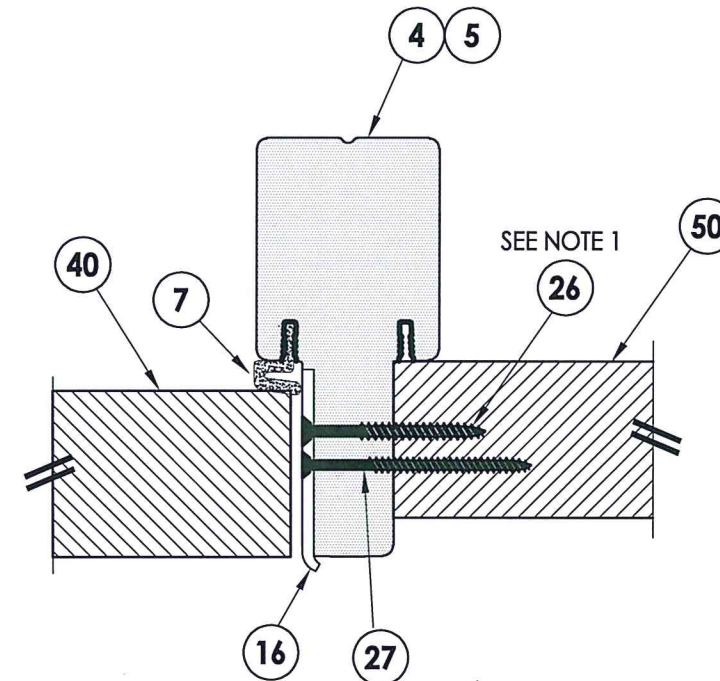
1. Item #26 located @ 6", 20" & 34" from the head down and @ 6" & 20" from the sill up (5 screws total).
2. Item #26 equally spaced between each hinge (3 total).



1 HORIZONTAL CROSS SECTION
6 Outswing shown - Inswing also approved

INTERIOR

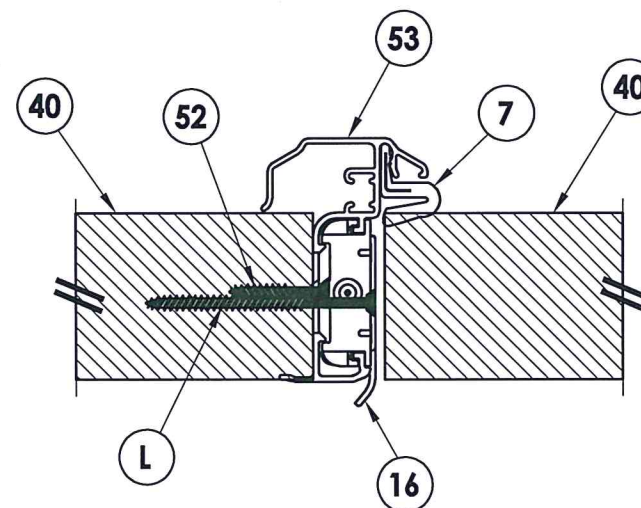
EXTERIOR



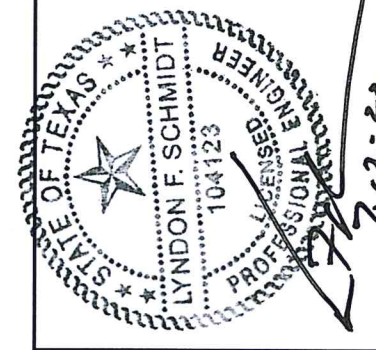
2 HORIZONTAL CROSS SECTION
6 Outswing shown - Inswing also approved

INTERIOR

EXTERIOR



3 HORIZONTAL CROSS SECTION
6 Outswing shown - Inswing also approved



Documents Prepared By: Lyndon F. Schmidt, P.E.
TEXAS P.E. #104123

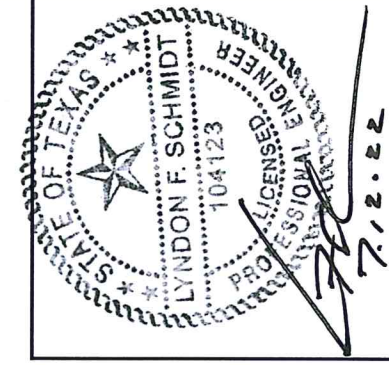
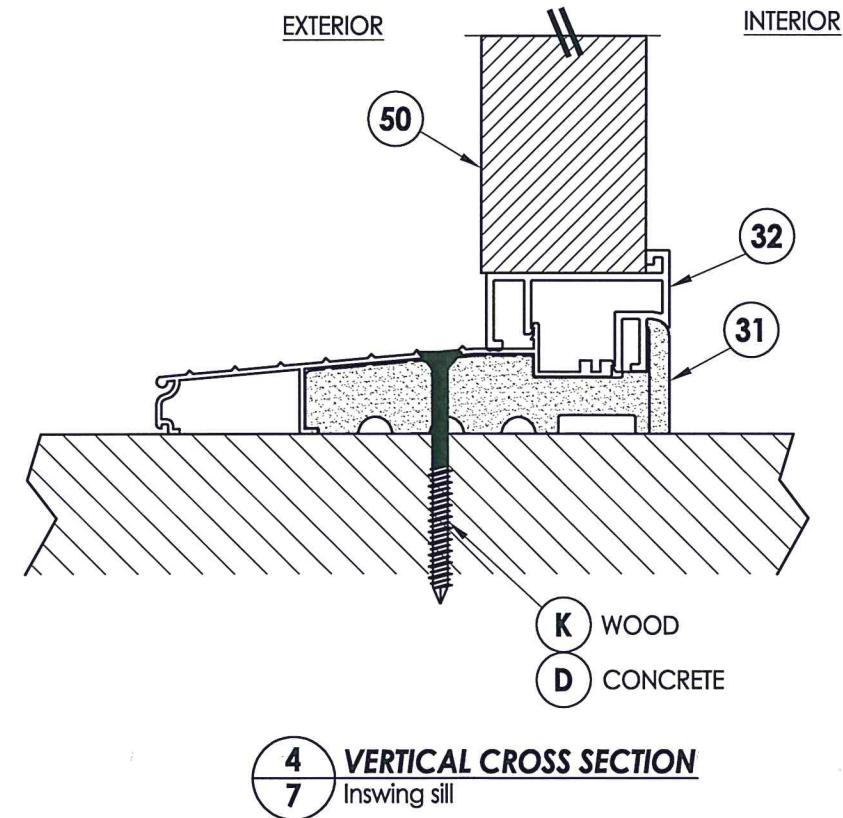
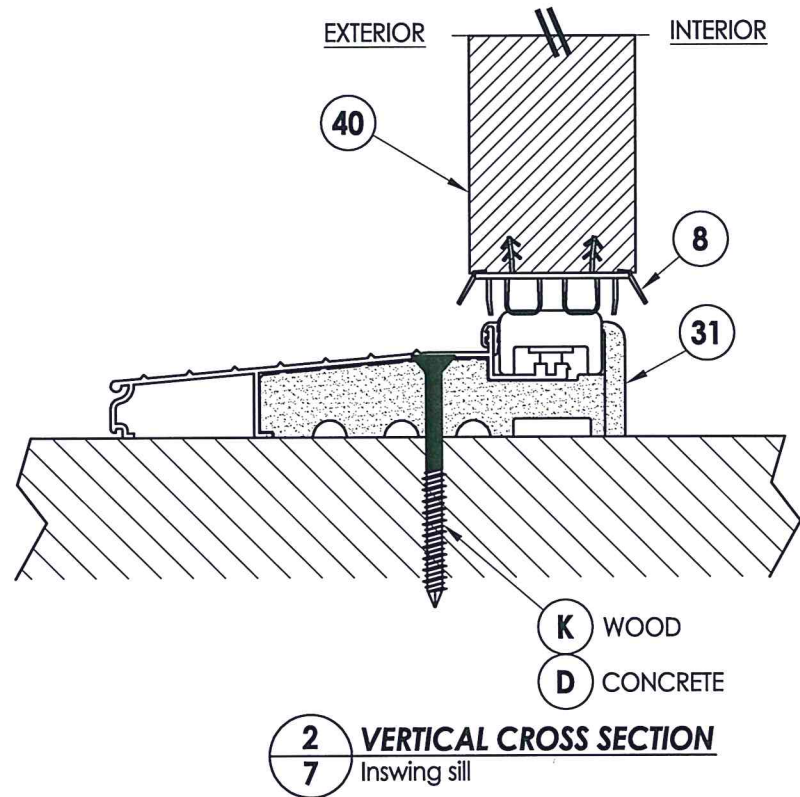
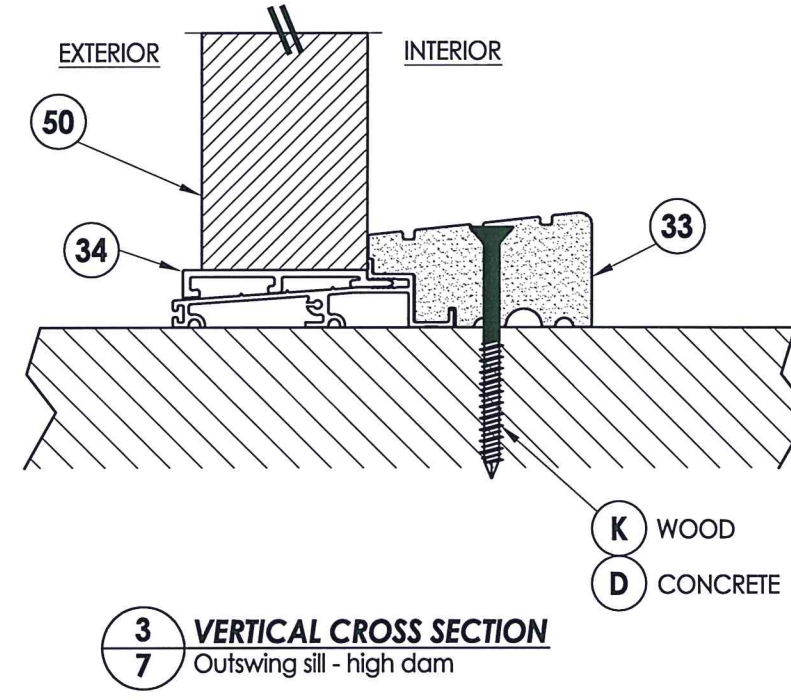
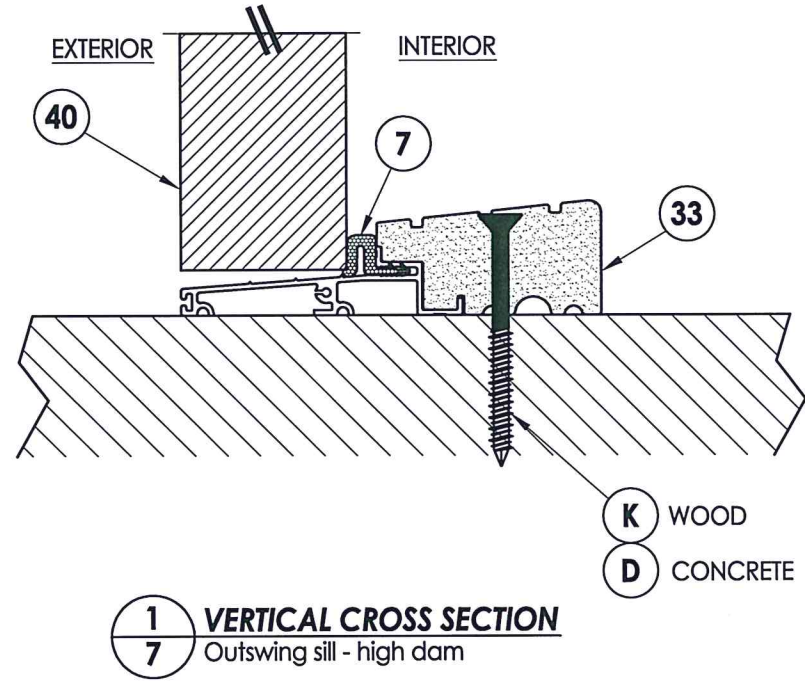
RW BUILDING CONSULTANTS, INC.
P.O. Box 230 Valrico FL, 33595
Phone No.: 813.659.9197

CERTIFICATE OF REGISTRATION # F-11852

PRODUCT: TRINITY GLASS INT'L
PART OR ASSEMBLY: HORIZONTAL CROSS SECTIONS

NO.	DATE	BY	REVISIONS

DATE: 7/11/22
SCALE: N.T.S.
DWG. BY: RW
CHK. BY: LFS
DRAWING NO.: TX-5273
SHEET 6 OF 10

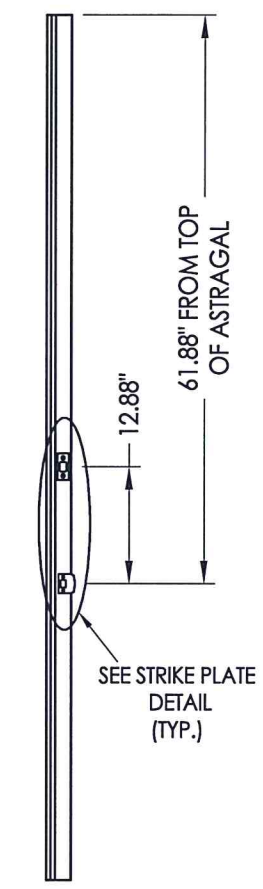
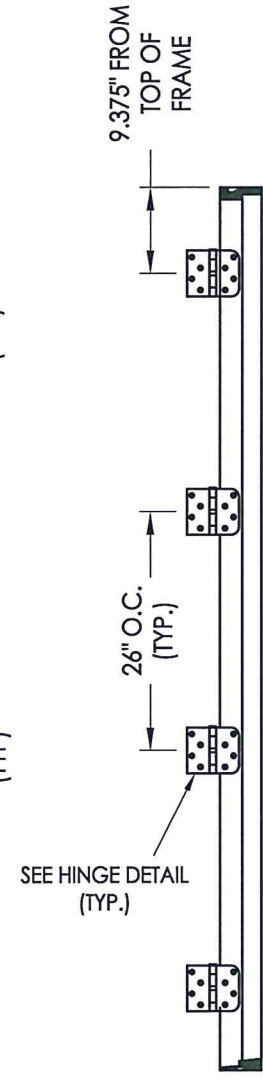
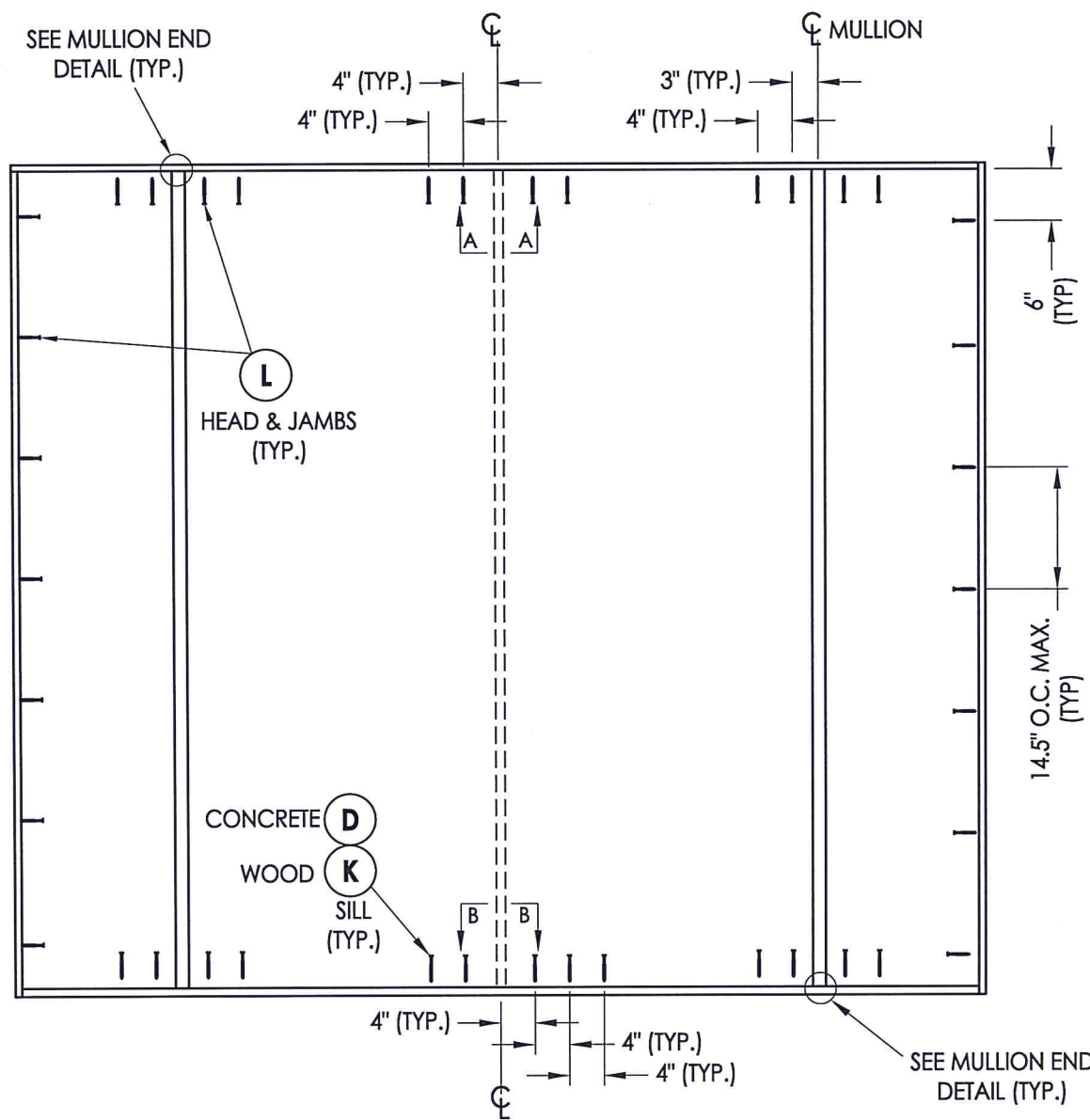


Documents Prepared By: Lyndon F. Schmidt, P.E.
TEXAS P.E. #104123

RW BUILDING CONSULTANTS, INC.
P.O. Box 230 Valrico FL 33595
Phone No.: 813.659.9197

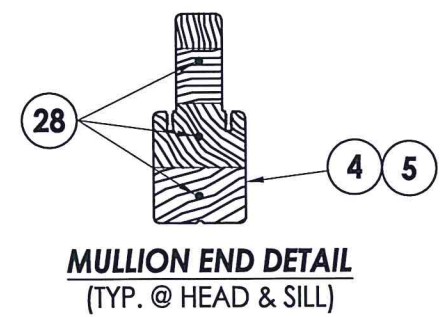
CERTIFICATE OF REGISTRATION # F-11852

PRODUCT: TRINITY GLASS INT'L		PART OR ASSEMBLY: VERTICAL CROSS SECTIONS	
NO.	DATE	BY	REVISIONS
DATE: 7/11/22			
SCALE: N.T.S.			
DWG. BY: RW			
CHK. BY: LFS			
DRAWING NO.: TX-5273			
SHEET 7 of 10			

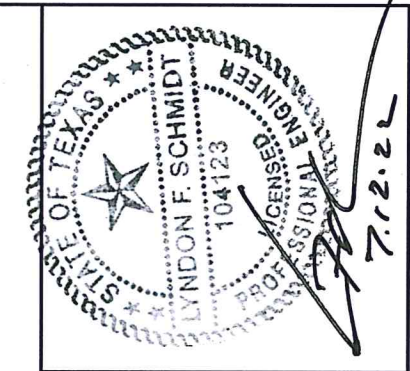
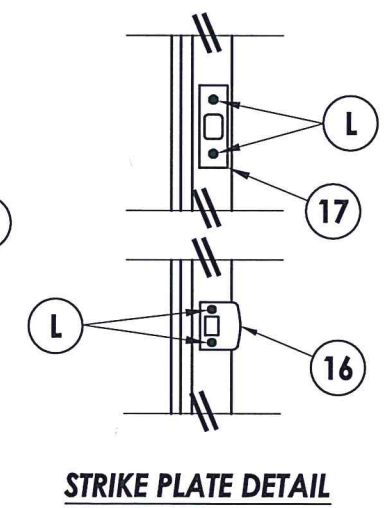
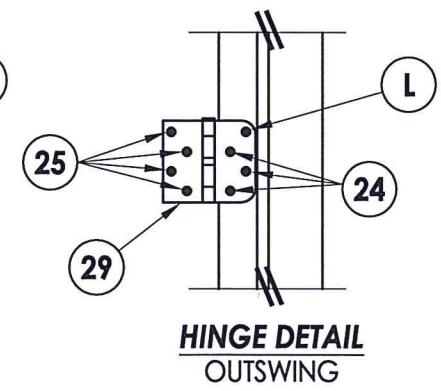
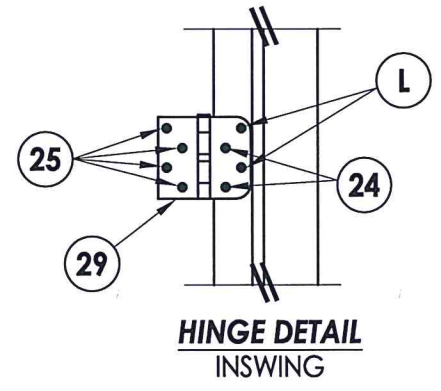
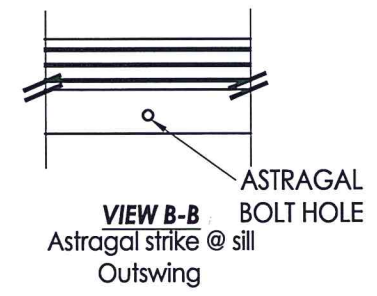
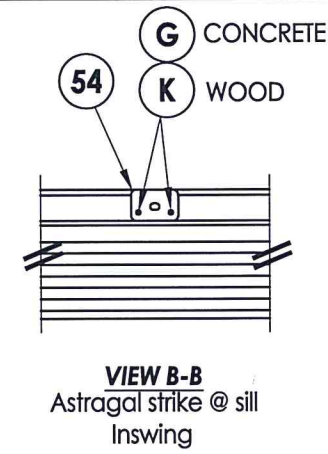
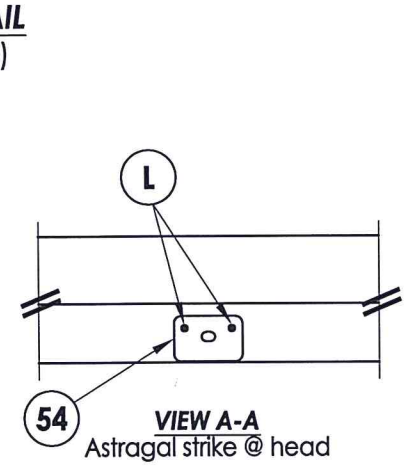


HINGE JAMB

ASTRAGAL



**OXO
FRAME ANCHORING**



Documents Prepared By: Lyndon F. Schmidt, P.E.
TEXAS P.E. #104123

RW BUILDING CONSULTANTS, INC.
P.O. Box 230 Valrico FL 33595
Phone No.: 813.659.9197

CERTIFICATE OF REGISTRATION # F-11852

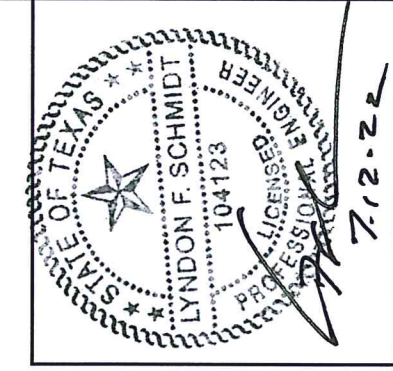
PRODUCT: TRINITY GLASS INT'L

PART OR ASSEMBLY: FRAME ANCHORING

NO.	DATE	BY	REVISIONS

DATE: 7/11/22
SCALE: N.T.S.
DWG. BY: RW
CHK. BY: LFS
DRAWING NO.: TX-5273
SHEET 8 OF 10

BILL OF MATERIALS		
ITEM #	DESCRIPTION	MATERIAL
A	2X FRAMING (SG >= 0.42)	WOOD
C	1/4" MAX. SHIM SPACE	-
D	1/4" FH DeWALT OR ITW CONCRETE SCREW (1-3/4" MIN. EMBEDMENT)	STEEL
K	#10 FH WOOD SCREW (1-3/4" MIN. EMBEDMENT)	STEEL
L	#10 X 2-1/2" PFH WS (1.15" MIN. EMBEDMENT)	STEEL
1	HEAD & JAMB (FINGER JOINT PINE: SG >= 0.42)	WOOD
2	HEAD & JAMB	PVC
4	INTEGRAL MULLION (PINE: SG >= 0.42)	WOOD
5	INTEGRAL MULLION (PVC)	PVC
6	INTEGRAL MULLION BASE KIT	ABS
7	WEATHERSTRIP	FOAM
8	DOOR BOTTOM SWEEP	PVC
9	#6 X 1-1/4" PFH DRYWALL SCREW	STEEL
11	#9 X 2-1/4" PFH WOOD SCREW	STEEL
16	LATCH STRIKE PLATE	STEEL
17	DEADBOLT STRIKE PLATE	STEEL
18	DEADBOLT SUB-STRIKE PLATE	STEEL
19	SILLKEY	ABS
24	#9 X 3/4" PFH WS	STEEL
25	#9 X 1" PFH WS	STEEL
26	#10 X 2" PFH WS	STEEL
27	#8 X 2-1/2" PFH WOOD SCREW	STEEL
28	#10 X 3" PFH WOOD SCREW	STEEL
29	4" X 4" HINGE	STEEL
31	INSWING THRESHOLD ALUMINUM w/ COMPOSITE SUBSTRATE	ALUM/ COMP
32	SIDELITE SPACER - INSWING	PVC
33	OUTSWING HIGH - DAM THRESHOLD ALUMINUM w/ COMPOSITE SUBSTRATE	ALUM/ COMP
34	SIDELITE SPACER - OUTSWING	PVC
40	DOOR PANEL	-
50	SIDELITE PANEL	-
52	#8 X 1" FH WOOD SCREW	STEEL
53	ENDURA ULTIMATE HURRICANE ASTRAGAL	ALUM
54	ASTRAGAL STRIKE PLATE	STEEL



Documents Prepared By: Lyndon F. Schmidt, P.E.
TEXAS P.E. #104123

RW BUILDING CONSULTANTS, INC.
P.O. Box 230 Valrico FL 33595
Phone No.: 813.659.9197

CERTIFICATE OF REGISTRATION # F-11852

PRODUCT: TRINITY GLASS INT'L

PART OR ASSEMBLY: BILL OF MATERIALS

NO.	DATE	BY	REVISIONS

DATE: 7/11/22

SCALE: N.T.S.

DWG. BY: RW

CHK. BY: LFS

DRAWING NO.: TX-5273

SHEET 10 OF 10

CONCRETE ANCHOR NOTES:

- Concrete anchor locations at the corners may be adjusted to maintain the min. edge distance to mortar joints.
- Concrete anchor locations noted as "MAX. ON CENTER" must be adjusted to maintain the min. edge distance to mortar joints, additional concrete anchors may be required to ensure the "MAX. ON CENTER" dimension are not exceeded.
- Concrete anchor table:

ANCHOR TYPE	ANCHOR SIZE	MIN. EMBEDMENT	MIN. CLEARANCE TO MASONRY EDGE	MIN. CLEARANCE TO ADJACENT ANCHOR
ITW TAPCON®	1/4"	1-3/4"	2"	4"
DeWALT ULTRACON®	1/4"	1-3/4"	1"	4"

WOOD SCREW INSTALLATION NOTES:

- Maintain a minimum 5/8" edge distance, 1" end distance, & 1" o.c. spacing of wood screws to prevent the splitting of wood.