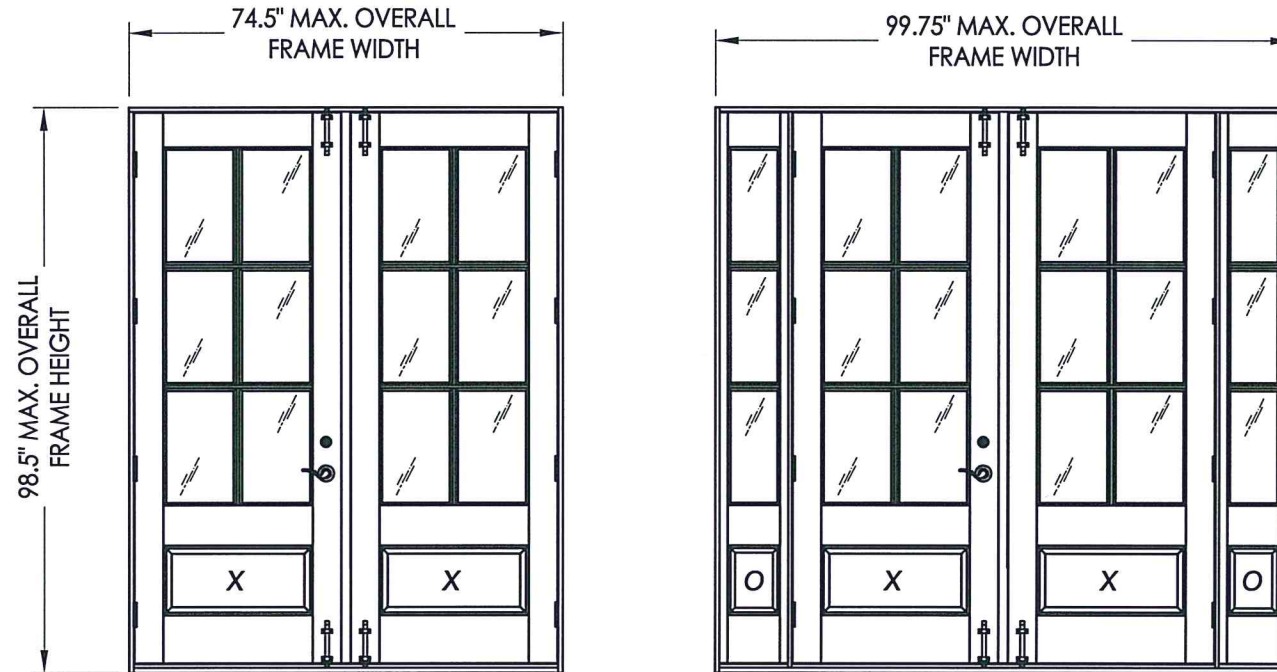




GLAZED WOOD ENTRY DOOR DOUBLES w/ or w/out SIDELITES

**INSWING
"NON-IMPACT"**



EVALUATED FOR USE IN THE STATE OF TEXAS

The Wood Door system described herein complies with the 2018 International Residential Code (IRC), Sections R301 & R609 and the 2018 International Building Code (IBC), Sections 1404.13, 1609, 1709.5, 2403 and 2404 subject to the following conditions:

1. Anchors shall be as listed and spaced as shown in the details. Anchor embedment to base material shall be beyond wall dressing or stucco.
2. When used in areas requiring wind-borne debris protection this product is required to be protected with an impact resistant covering that complies with Section R301.2.1.2 of the IRC and Section 1609.1.2 of the IBC.
3. Allowable design pressure requirements must be equal to or less than the design pressure rating shown in the design pressure chart, sheet 1 of this drawing.
4. Conditions not covered by this drawing are subject to further engineering analysis.

TABLE OF CONTENTS

SHEET #	DESCRIPTION
1	Typical Elevations, Design Pressures & General Notes
2	Door Panel Details
3	Sidelite Panel Details
4	Door Glazing & Panel Details
5	Elevations
6	Horizontal & Vertical Cross Sections
7	Horizontal Cross Sections
8	Vertical Cross Sections
9	Frame Anchoring & Hardware Details
10	Bill of Materials & Components

CONTINUOUS HEAD & SILL

CONFIGURATION	MAX. FRAME DIMENSION	SURFACE BOLTS REQUIRED ON ACTIVE DOOR	DESIGN PRESSURE (PSF) INSWING	
			POSITIVE	NEGATIVE
XX	74.5" x 98.5"	NO	+25.0	-30.0
		YES	+45.0	-50.0
OXXO	99.75" x 98.5"	NO	+25.0	-30.0
		YES	+45.0	-50.0



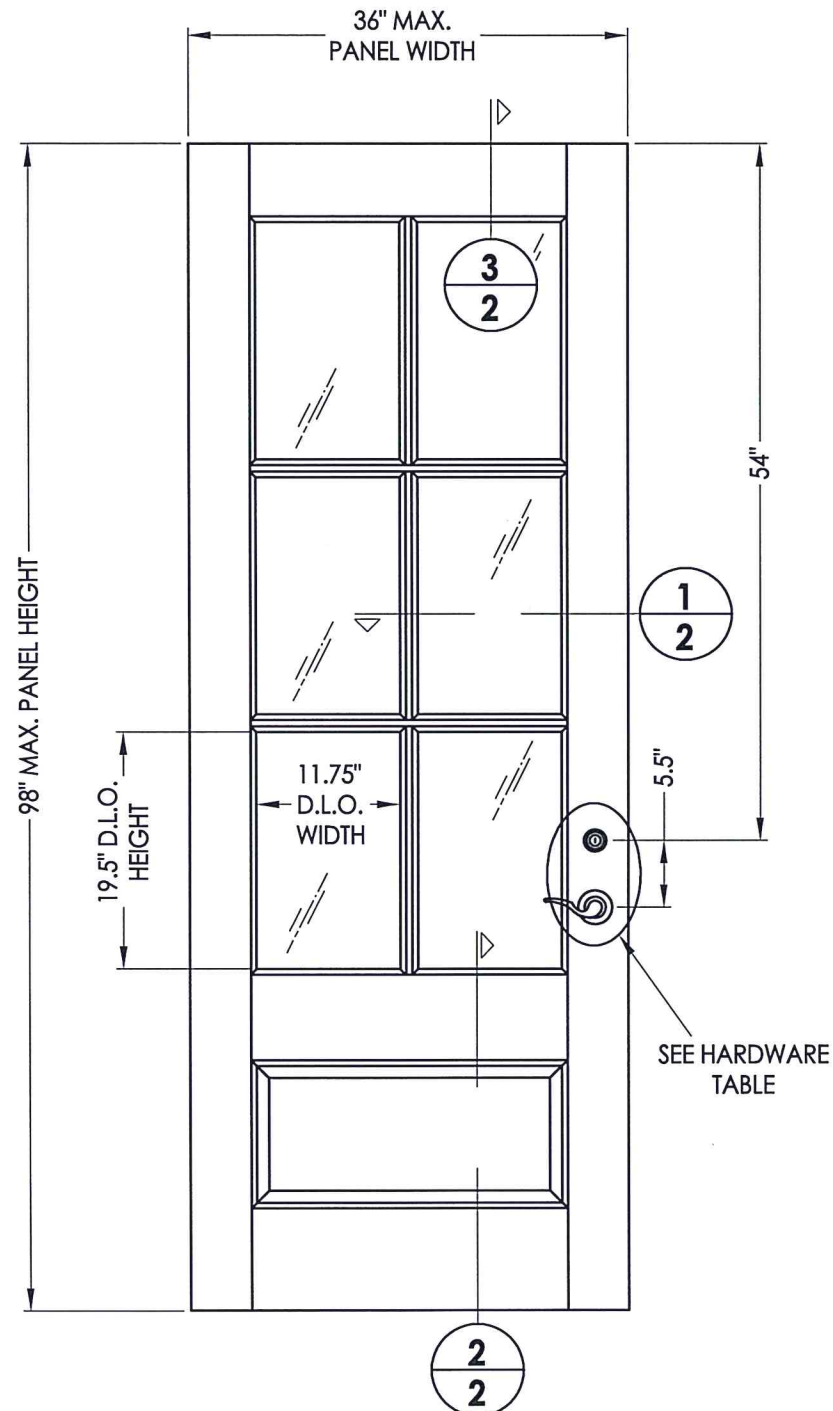
Documents Prepared By: Lyndon F. Schmidt, P.E.
TEXAS P.E. #104123

RW BUILDING CONSULTANTS, INC.
P.O. Box 230 Valrico FL 33595
Phone No.: 813.659.9197
TEXAS BOARD OF PROFESSIONAL ENGINEERS
CERTIFICATE OF REGISTRATION # F-11852

PRODUCT: DOORSCAPES WOOD DOOR
PART OR ASSEMBLY: TYPICAL ELEVATION, DESIGN PRESSURES & GENERAL NOTES

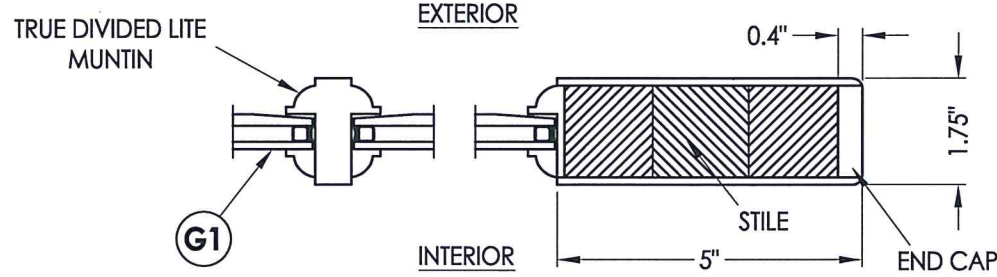
NO.	DATE	BY	REVISIONS

DATE: 3/08/22
SCALE: N.T.S.
DWG. BY: LFS
CHK. BY: RW
DRAWING NO.: TX-5260
SHEET 1 OF 10

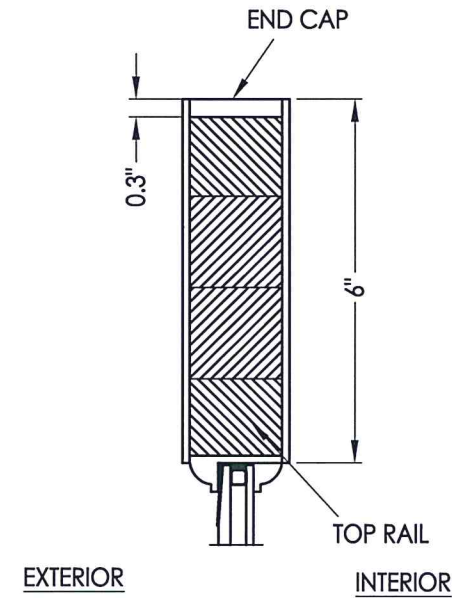


40 WOOD DOOR PANEL
Doorscapes

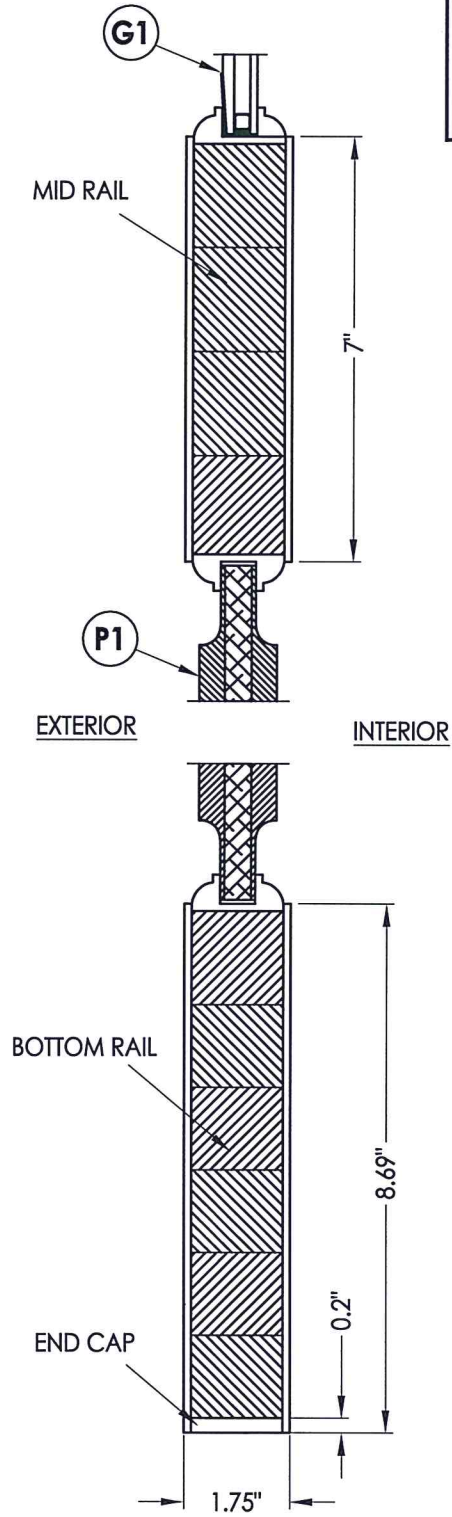
WOOD DOOR COMPONENTS:
OUTER VANEER (3mm) & END CAPS: ALDER (G= 0.4 MIN.)
CORE: PINE (G= 0.4 MIN.)



1 HORIZONTAL CROSS SECTION



3 VERTICAL CROSS SECTION



2 VERTICAL CROSS SECTION

HARDWARE TABLE	
MANUFACTURER	MODEL
YALE	LEVER: YALE EDGE SERIES DEADBOLT: YALE EDGE SERIES

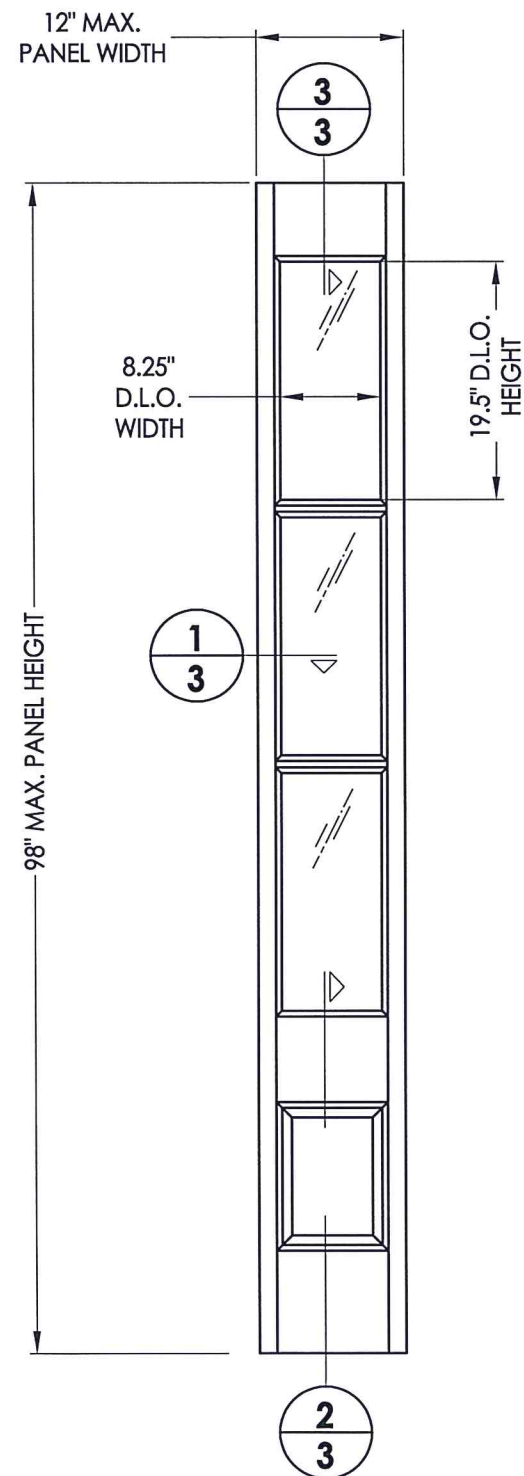


Documents Prepared By: Lyndon F. Schmidt, P.E.
TEXAS P.E. #104123
RW BUILDING CONSULTANTS, INC.
P.O. Box 230 Vairico FL 33595
Phone No.: 813.659.9197
TEXAS BOARD OF PROFESSIONAL ENGINEERS
CERTIFICATE OF REGISTRATION # F-11852

PRODUCT: DOORSCAPES WOOD DOOR
PART OR ASSEMBLY: DOOR PANEL DETAILS

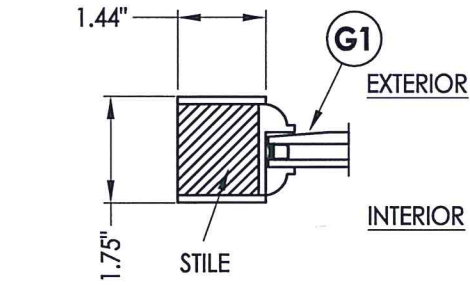
NO.	DATE	BY	REVISIONS

DATE: 3/08/22
SCALE: N.T.S.
DWG. BY: LFS
CHK. BY: RW
DRAWING NO.: TX-5260
SHEET 2 of 10

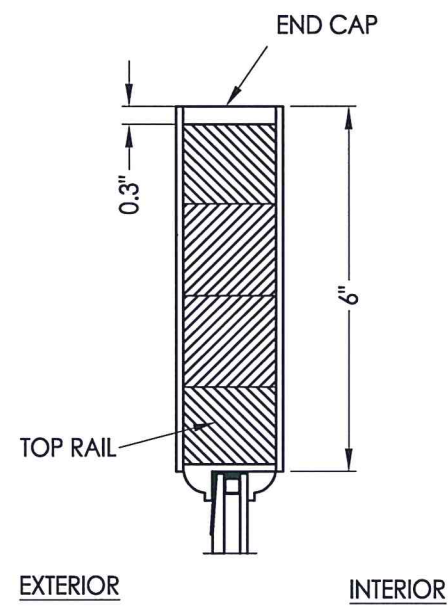


50 WOOD SIDELITE PANEL
DoorScapes

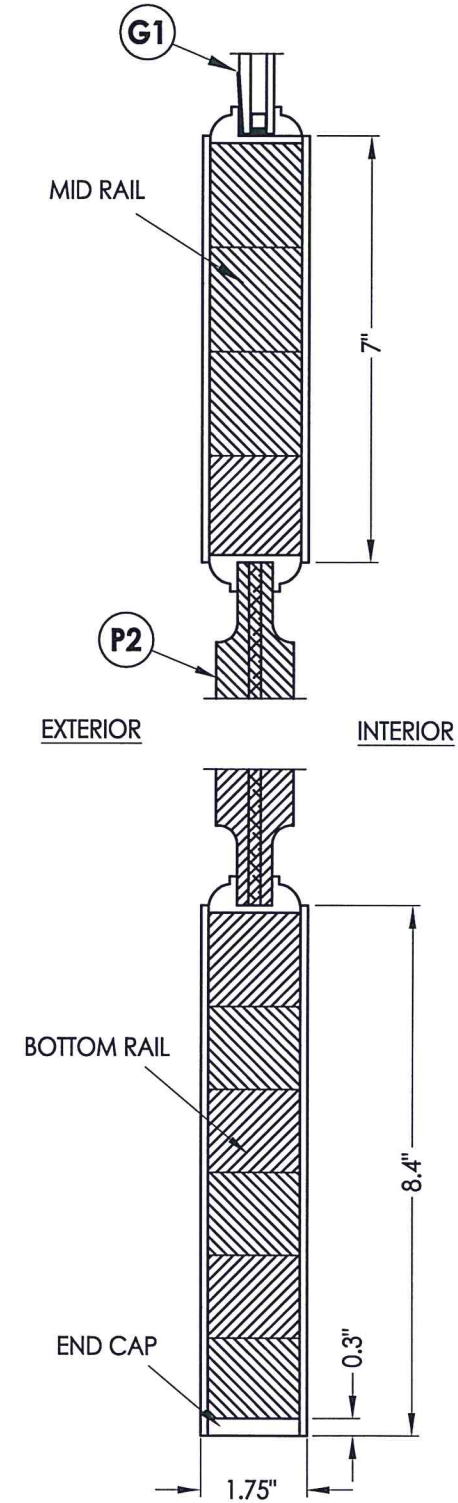
WOOD SIDELITE COMPONENTS:
OUTER VANEER (3mm) & END CAPS: ALDER (G= 0.4 MIN.)
CORE: PINE (G= 0.4 MIN.)



1
3 VERTICAL CROSS SECTION



3
3 VERTICAL CROSS SECTION



2
3 VERTICAL CROSS SECTION



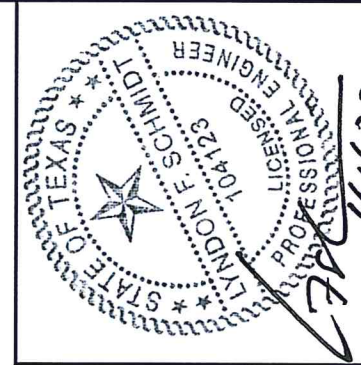
Documents Prepared By: Lyndon F. Schmidt, P.E.
TEXAS P.E. #104123

RW BUILDING CONSULTANTS, INC.
P.O. Box 230 Valrico FL 33595
Phone No.: 813.659.9197
TEXAS BOARD OF PROFESSIONAL ENGINEERS
CERTIFICATE OF REGISTRATION # F-11852

PRODUCT: DOORSCAPES
WOOD DOOR
PART OR ASSEMBLY:
SIDELITE PANEL DETAILS

NO.	DATE	BY	REVISIONS

DATE: 3/08/22
SCALE: N.T.S.
DWG. BY: LFS
CHK. BY: RW
DRAWING NO.: TX-5260
SHEET 3 OF 10



Documents Prepared By: Lyndon F. Schmidt, P.E.
TEXAS P.E. #104123

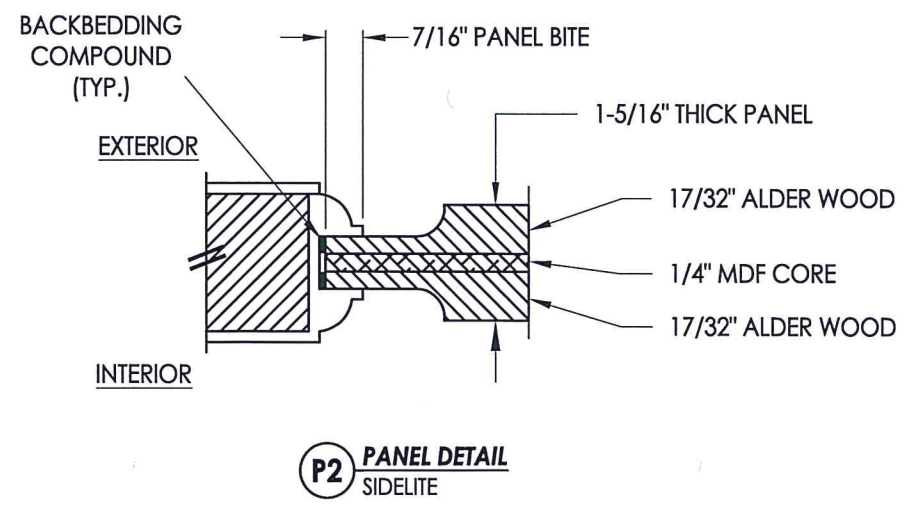
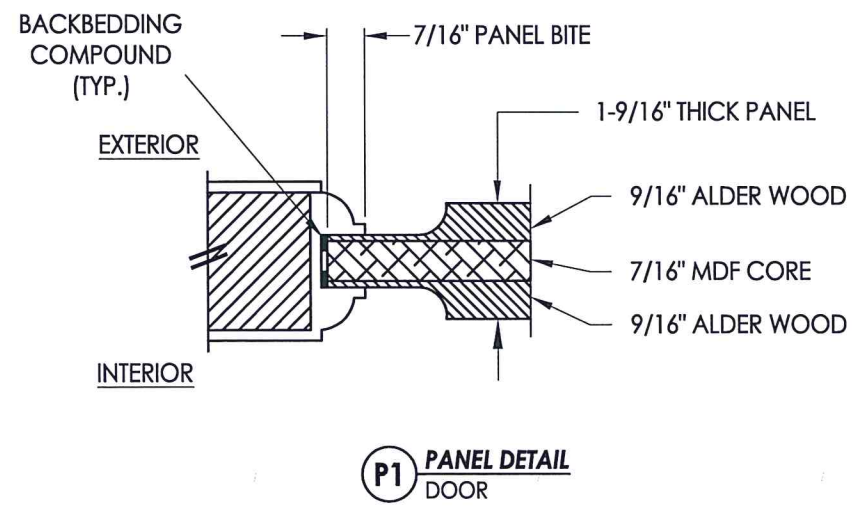
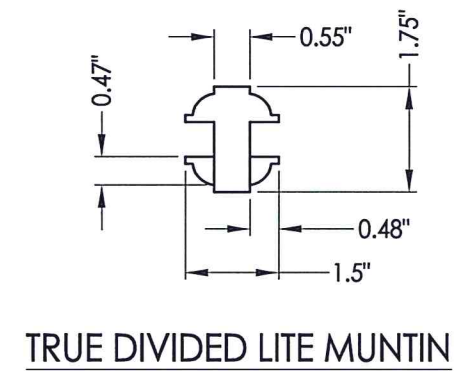
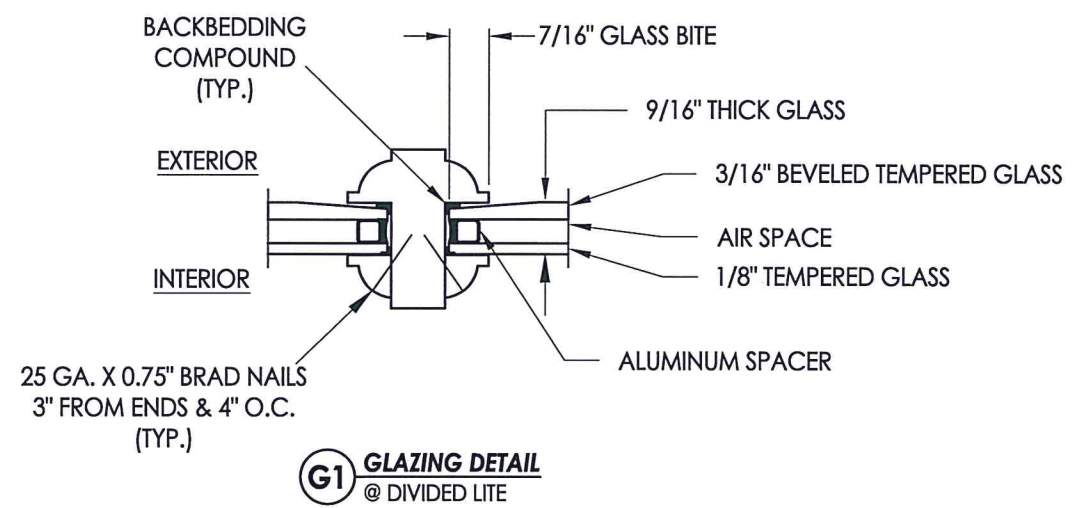
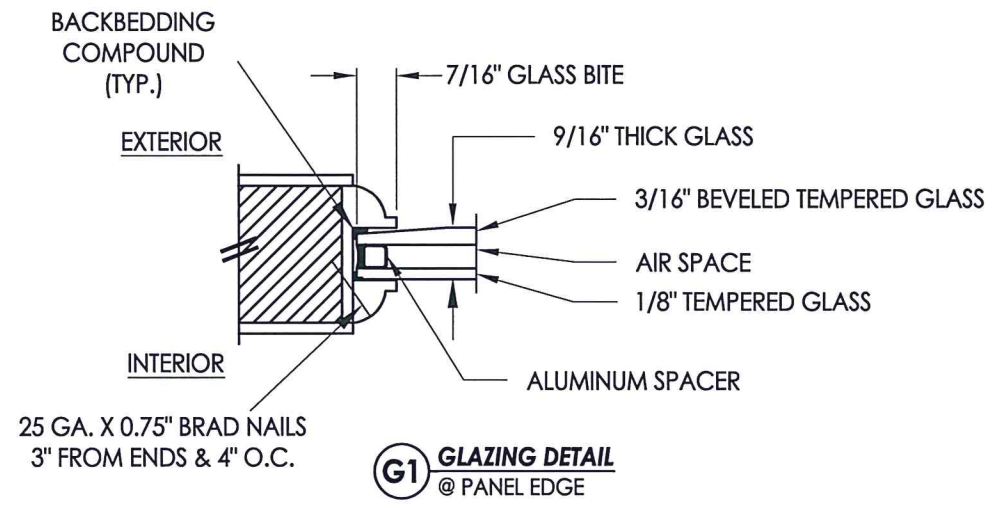
RW BUILDING CONSULTANTS, INC.
P.O. Box 230 Valrico FL, 33595
Phone No.: 813.659.9197

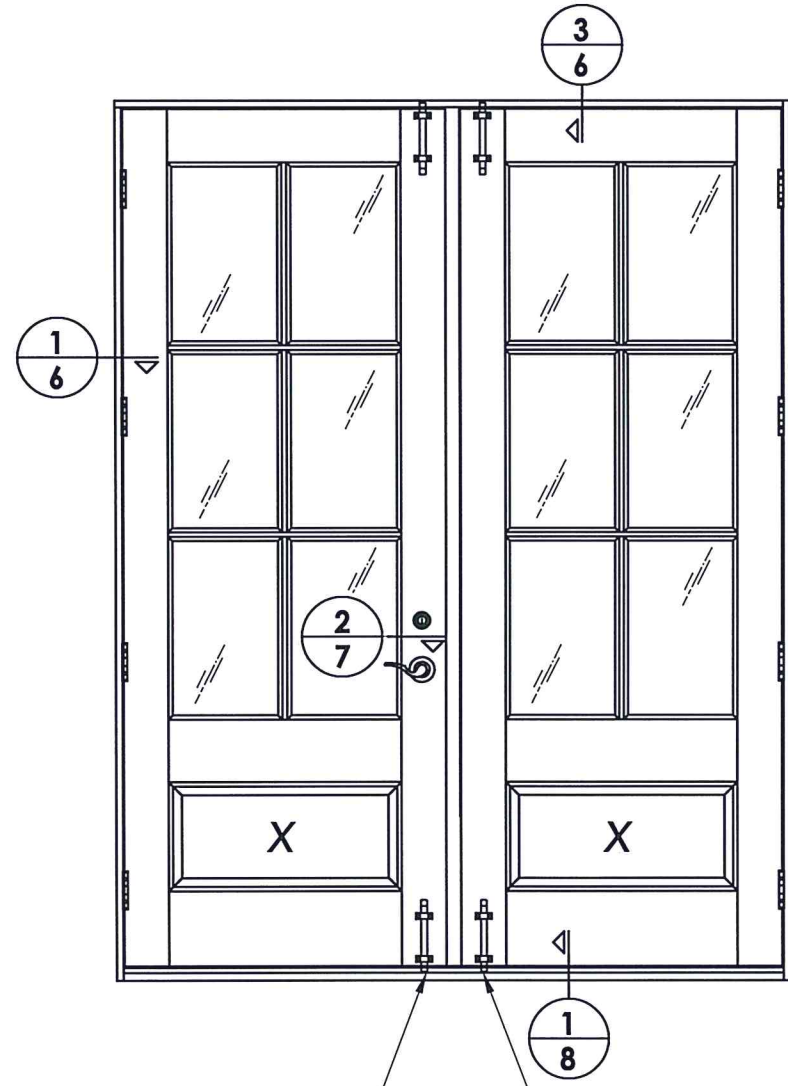
TEXAS BOARD OF PROFESSIONAL ENGINEERS
CERTIFICATE OF REGISTRATION # F-11852

PRODUCT: DOORSCAPES WOOD DOOR
PART OR ASSEMBLY: DOOR GLAZING & PANEL DETAILS

NO.	DATE	BY	REVISIONS

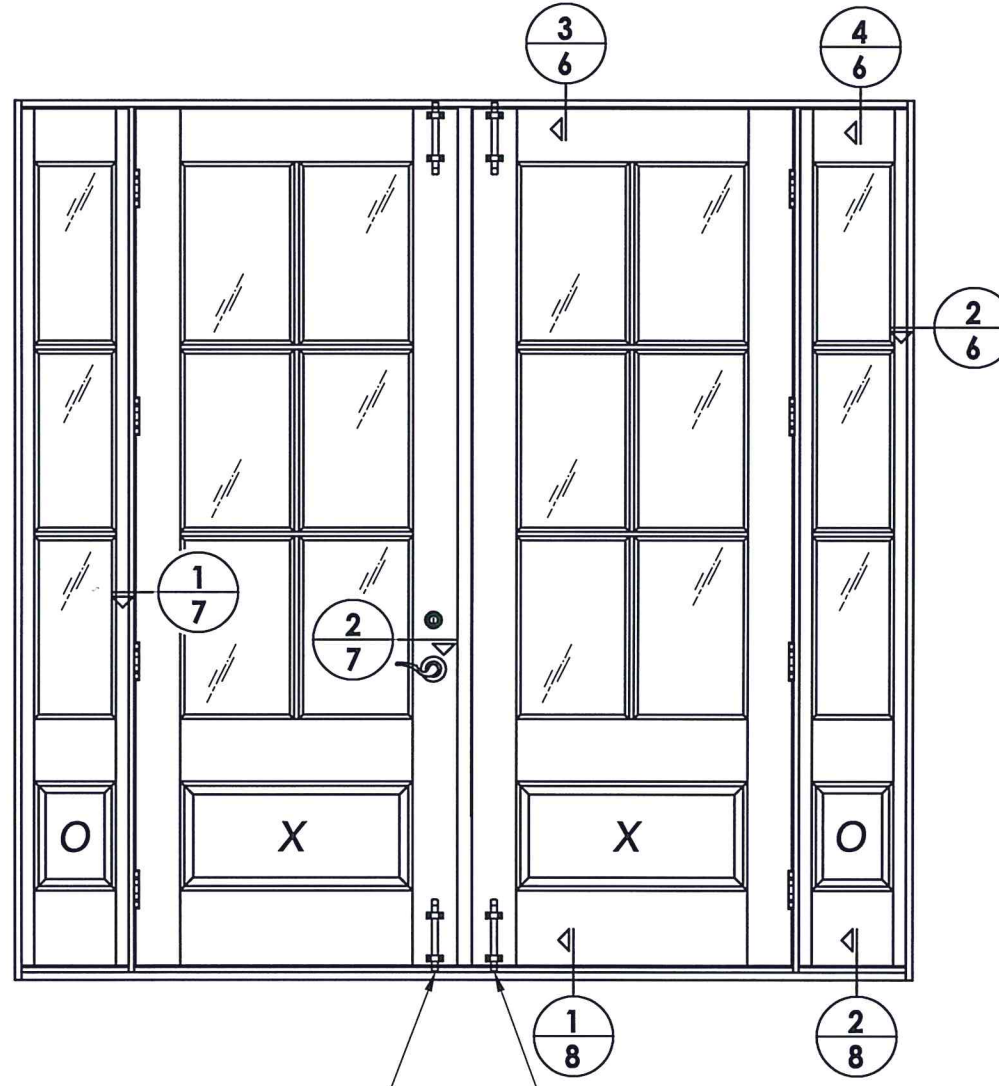
DATE: 3/08/22
SCALE: N.T.S.
DWG. BY: LFS
CHK. BY: RW
DRAWING NO.: TX-5260
SHEET 4 OF 10





SURFACE BOLTS @ HEAD & SILL ON ACTIVE DOOR (SEE SHEET 1 FOR DESIGN PRESSURE TABLE REQUIREMENTS)

SURFACE BOLT ALWAYS REQUIRED @ HEAD & SILL ON IN-ACTIVE DOOR



SURFACE BOLTS @ HEAD & SILL ON ACTIVE DOOR (SEE SHEET 1 FOR DESIGN PRESSURE TABLE REQUIREMENTS)

SURFACE BOLT ALWAYS REQUIRED @ HEAD & SILL ON IN-ACTIVE DOOR

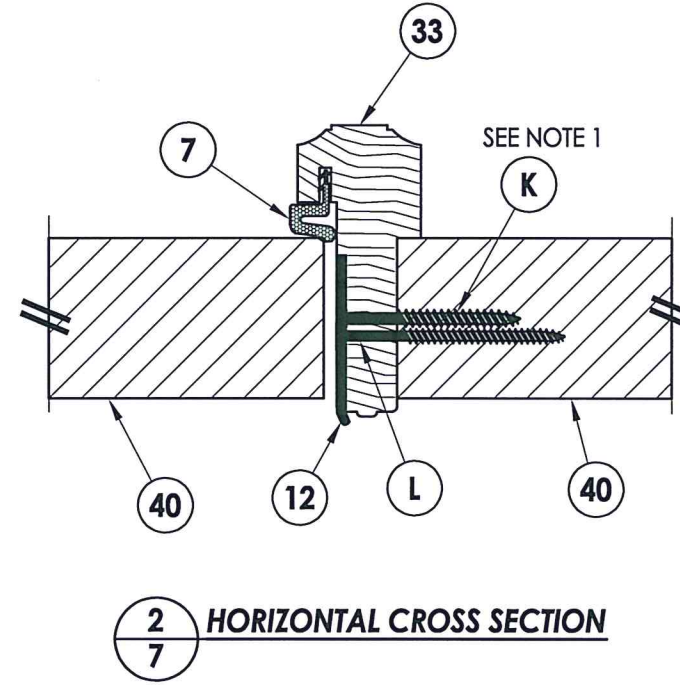
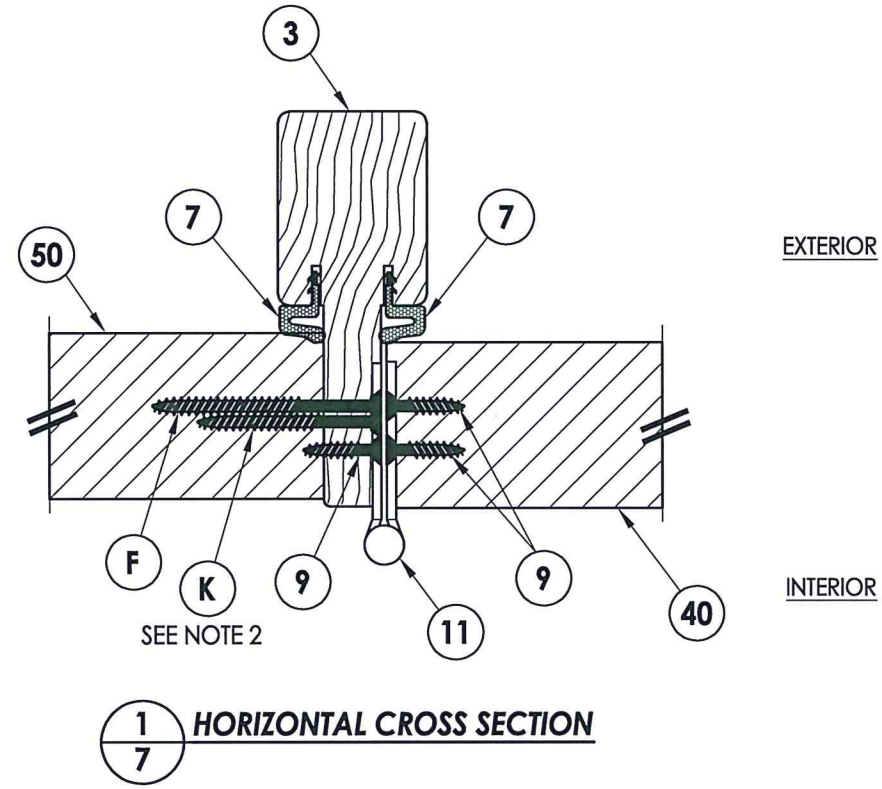


Documents Prepared By: Lyndon F. Schmidt, P.E.
TEXAS P.E. #104123

RW BUILDING CONSULTANTS, INC.
P.O. Box 230 Valrico FL 33595
Phone No.: 813.659.9197

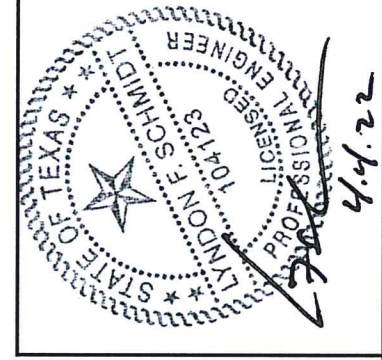
TEXAS BOARD OF PROFESSIONAL ENGINEERS
CERTIFICATE OF REGISTRATION # F-11852

PRODUCT: DOORSCAPES WOOD DOOR	
PART OR ASSEMBLY: ELEVATIONS	
NO.	DATE
BY	REVISIONS
DATE: 3/08/22	
SCALE: N.T.S.	
DWG. BY: LFS	
CHK. BY: RW	
DRAWING NO.: TX-5260	
SHEET 5 of 10	



NOTES:

1. Sidelite attached @ 4" from each end plus 3 more screws equally spaced between (5 screws total per jamb).
2. Sidelite attached w/ 1 screw equally spaced between each hinge (3 screws total per mullion).



Documents Prepared By: Lyndon F. Schmidt, P.E.
TEXAS P.E. #104123

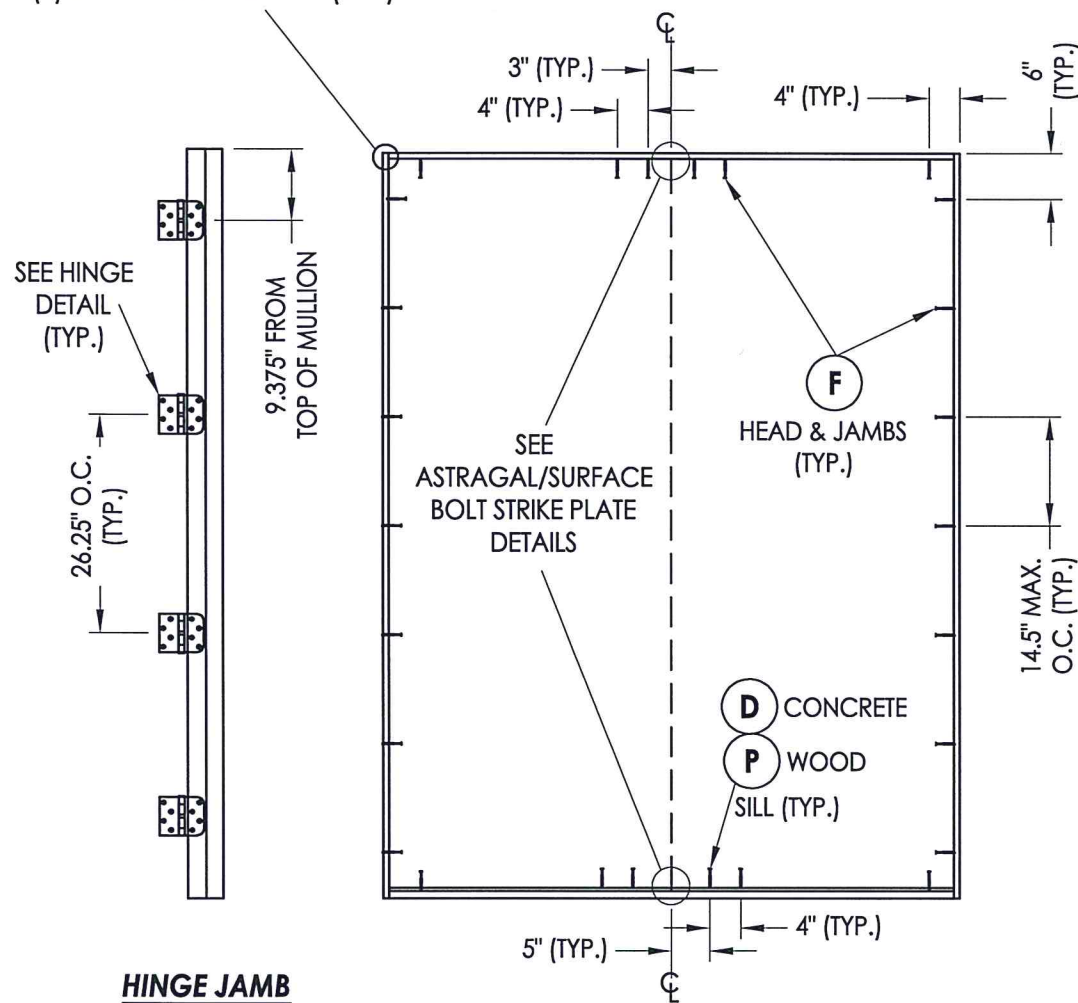
RW BUILDING CONSULTANTS, INC.
P.O. Box 230 Valrico FL 33595
Phone No.: 813.659.9197

TEXAS BOARD OF PROFESSIONAL ENGINEERS
CERTIFICATE OF REGISTRATION # F-11852

PRODUCT: DOORSCAPES WOOD DOOR	PART OR ASSEMBLY: HORIZONTAL CROSS SECTIONS
DATE: 3/08/22	SCALE: N.T.S.
DWG. BY: LFS	CHK. BY: RW
DRAWING NO.: TX-5260	NO. DATE
SHEET 7 OF 10	BY
REVISIONS	

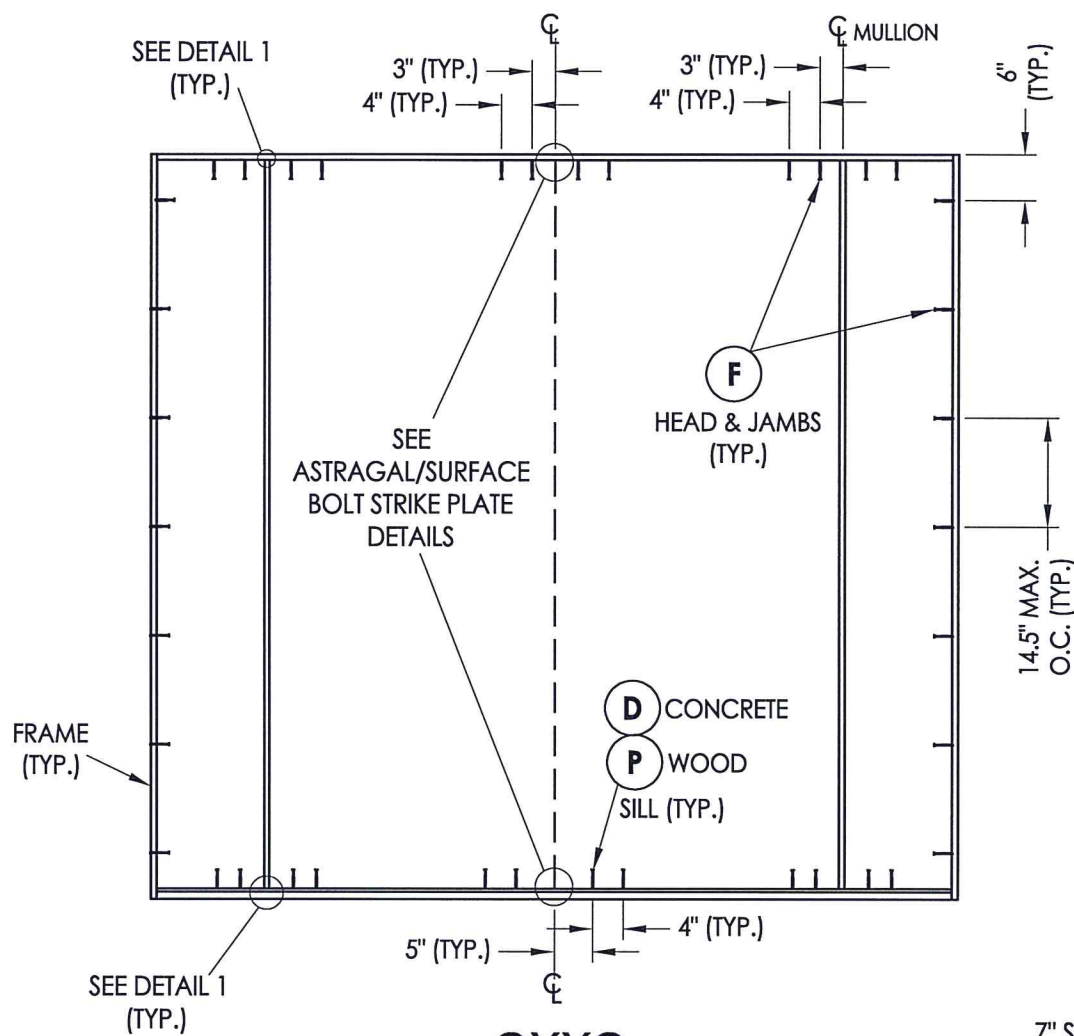
Z:\Clients\Doorscapes\B - Texas Dept of Ins\TDI - DR-XXXX 8-0 Wood Non-Impact\C - Drawings\TX-5260.dwg

FRAME CORNERS ATTACHED w/
(3) #10 X 3" TRIM SCREWS (TYP.)



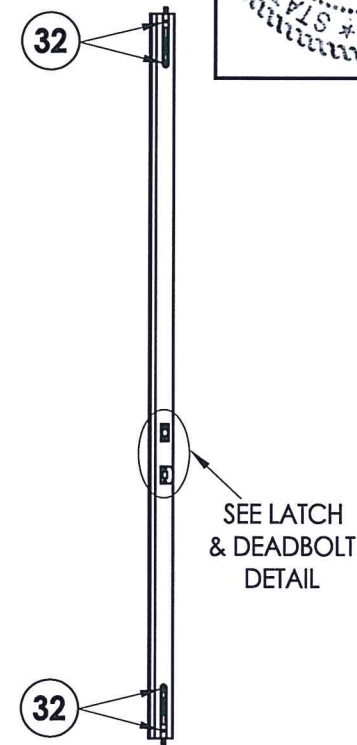
HINGE JAMB

XX

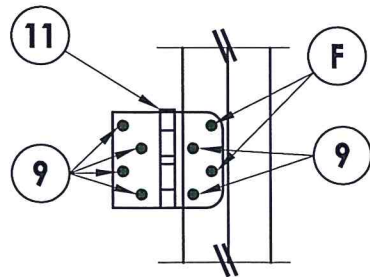


FRAME ANCHORING

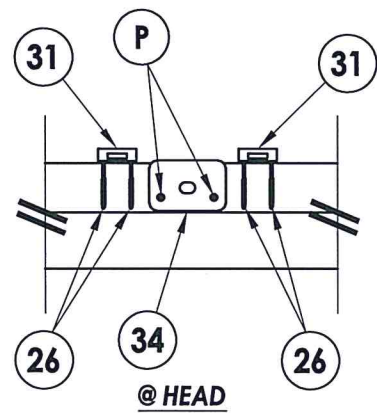
OXXO



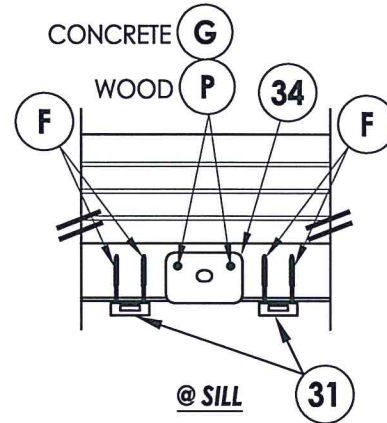
WOOD ASTRAGAL
7" STEEL FLIP LOCK FLUSHBOLT (5/16" Ø)
@ EACH END OF WOOD ASTRAGAL



HINGE DETAIL

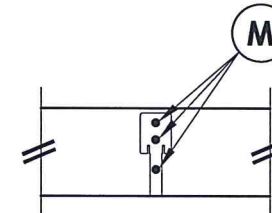


@ HEAD

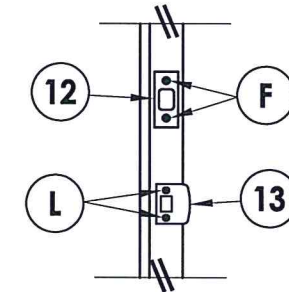


@ SILL

ASTRAGAL/SURFACE BOLT STRIKE PLATE DETAILS



DETAIL 1



LATCH & DEADBOLT DETAIL



Documents Prepared By: Lyndon F. Schmidt, P.E.
TEXAS P.E. #104123

RW BUILDING CONSULTANTS, INC.
P.O. Box 230 Valrico FL 33595
Phone No.: 813.659.9197
TEXAS BOARD OF PROFESSIONAL ENGINEERS
CERTIFICATE OF REGISTRATION # F-11852

PRODUCT: DOORSCAPES WOOD DOOR
PART OR ASSEMBLY: FRAME ANCHORING & HARDWARE DETAILS

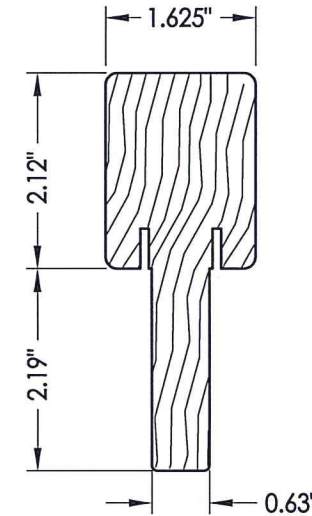
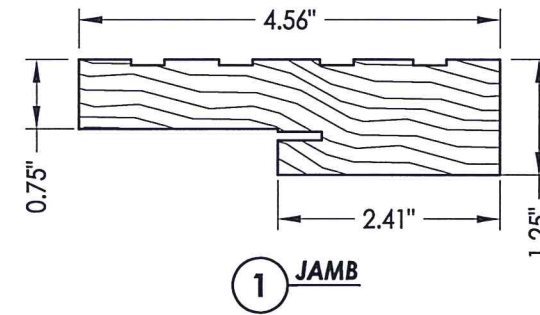
NO.	DATE	BY	REVISIONS

DATE: 3/08/22
SCALE: N.T.S.
DWG. BY: LFS
CHK. BY: RW
DRAWING NO.: TX-5260
SHEET 9 OF 10

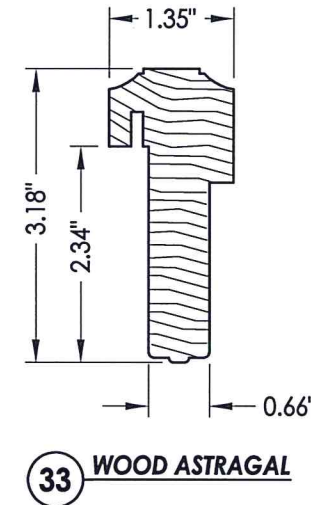
Z:\Clients\Doorscapes\B - Texas Dept of Ins\TDI - DR-XXXX 8-0 Wood Non-Impact\C - Drawings\TX-5260.dwg

BILL OF MATERIALS

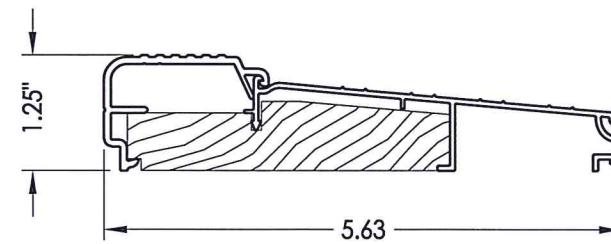
ITEM #	DESCRIPTION	MATERIAL
A	2X FRAMING (G >= 0.42)	WOOD
C	1/4" MAX. SHIM SPACE	-
D	1/4" Ø PFH DeWALT OR ITW CONCRETE SCREW (1-3/4" MIN. EMBEDMENT)	STEEL
F	#10 X 2-1/2" PFH WOOD SCREW (1.15" MIN. EMBEDMENT)	STEEL
G	3/16" Ø PFH DeWALT OR ITW CONCRETE SCREW (1-3/4" MIN. EMBEDMENT)	STEEL
K	#10 X 2" PFH WOOD SCREW	STEEL
L	#8 X 2-1/2" PFH WOOD SCREW	STEEL
M	#7 X 2-1/2" DRYWALL SCREW	STEEL
P	#10 PFH WOOD SCREW (1-1/2" MIN. EMB.)	STEEL
1	JAMB (PINE, G >= 0.4)	WOOD
3	INTEGRAL MULLION (PINE, G >= 0.4)	WOOD
7	WEATHERSTRIP	FOAM
8	DOOR/SIDELITE BOTTOM SWEEP	VINYL
9	#9 X 3/4" PFH WOOD SCREW	STEEL
11	4" X 4" BUTT HINGE	STEEL
12	LATCH STRIKE PLATE	STEEL
13	DEADBOLT STRIKE PLATE	STEEL
15	INSWING THRESHOLD (AFCO A-280)	ALUM/WOOD
30	8" SURFACE BOLT (HAGER 275D)	STEEL
31	SURFACE BOLT GUIDE PLATE	STEEL
32	#8 X 2-1/2" FH SMS	STEEL
33	WOOD ASTRAGAL (PINE, G >= 0.4)	WOOD
34	ASTRAGAL STRIKE PLATE	STEEL
40	DOOR PANEL - SEE DOOR PANEL DETAIL SHEET FOR DETAILS	-
50	SIDELITE PANEL - SEE SIDELITE PANEL DETAIL SHEET FOR DETAILS	-



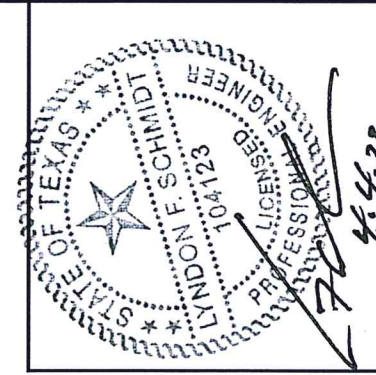
3 INTEGRAL MULLION



33 WOOD ASTRAGAL



15 INSWING FIXED THRESHOLD



Documents Prepared By: Lyndon F. Schmidt, P.E.
TEXAS P.E. #104123

RW BUILDING CONSULTANTS, INC.
P.O. Box 230 Valrico FL, 33595
Phone No.: 813.659.9197

TEXAS BOARD OF PROFESSIONAL ENGINEERS
CERTIFICATE OF REGISTRATION # F-11852

PRODUCT: DOORSCAPES WOOD DOOR
PART OR ASSEMBLY: BILL OF MATERIALS & COMPONENTS

NO.	DATE	BY	REVISIONS

DATE: 3/08/22
SCALE: N.T.S.
DWG. BY: LFS
CHK. BY: RW
DRAWING NO.: TX-5260
SHEET 10 OF 10

CONCRETE ANCHOR NOTES:

- Concrete anchor locations at the corners may be adjusted to maintain the min. edge distance to mortar joints.
- Concrete anchor locations noted as "MAX. ON CENTER" must be adjusted to maintain the min. edge distance to mortar joints, additional concrete anchors may be required to ensure the "MAX. ON CENTER" dimension are not exceeded.
- Concrete anchor table:

ANCHOR TYPE	ANCHOR SIZE	MIN. EMBEDMENT	MIN. CLEARANCE TO MASONRY EDGE	MIN. CLEARANCE TO ADJACENT ANCHOR
ITW BUILDEX TAPCON®	1/4"	1-3/4"	2"	4"
DeWALT ULTRACON®	1/4"	1-3/4"	1"	4"

WOOD SCREW INSTALLATION NOTES:

- Maintain a minimum 5/8" edge distance, 1" end distance, & 1" o.c. spacing of wood screws to prevent the splitting of wood.