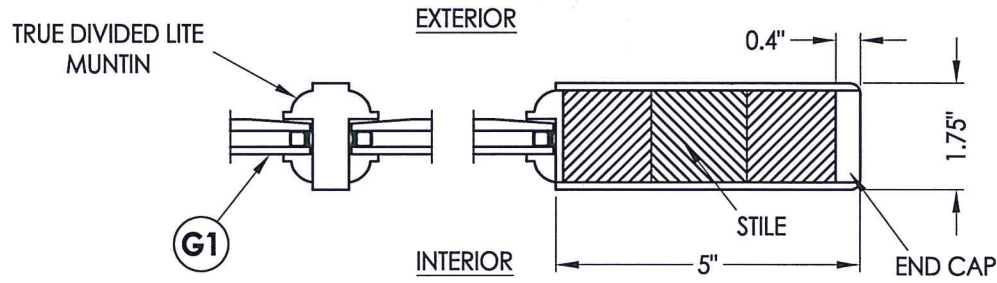
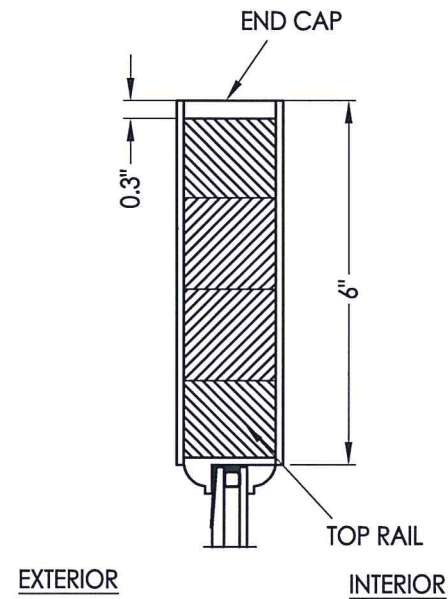


**40 WOOD DOOR PANEL**  
Doorscapes

WOOD DOOR COMPONENTS:  
OUTER VANEER (3mm) & END CAPS: ALDER (G= 0.4 MIN.)  
CORE: PINE (G= 0.4 MIN.)

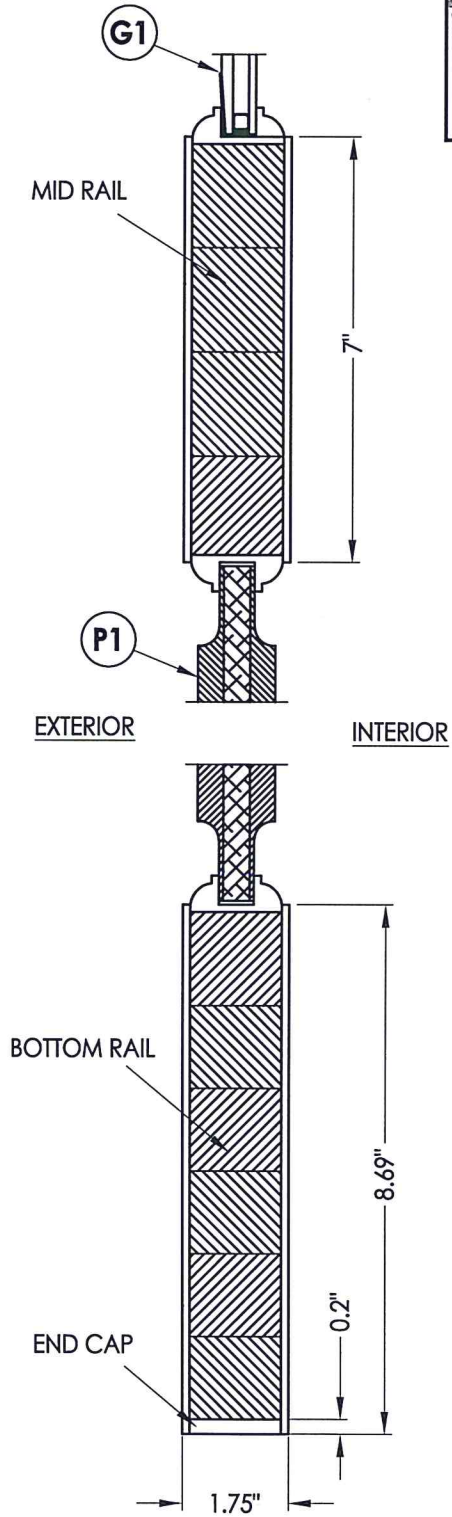


**1 HORIZONTAL CROSS SECTION**

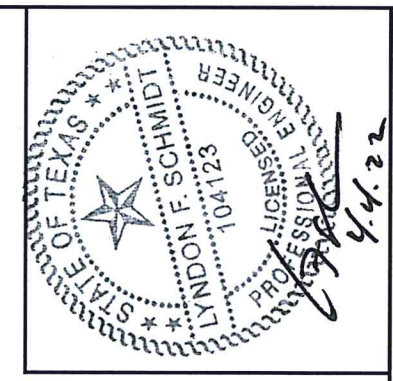


**3 VERTICAL CROSS SECTION**

HARDWARE TABLE	
MANUFACTURER	MODEL
YALE	LEVER: YALE EDGE SERIES DEADBOLT: YALE EDGE SERIES



**2 VERTICAL CROSS SECTION**

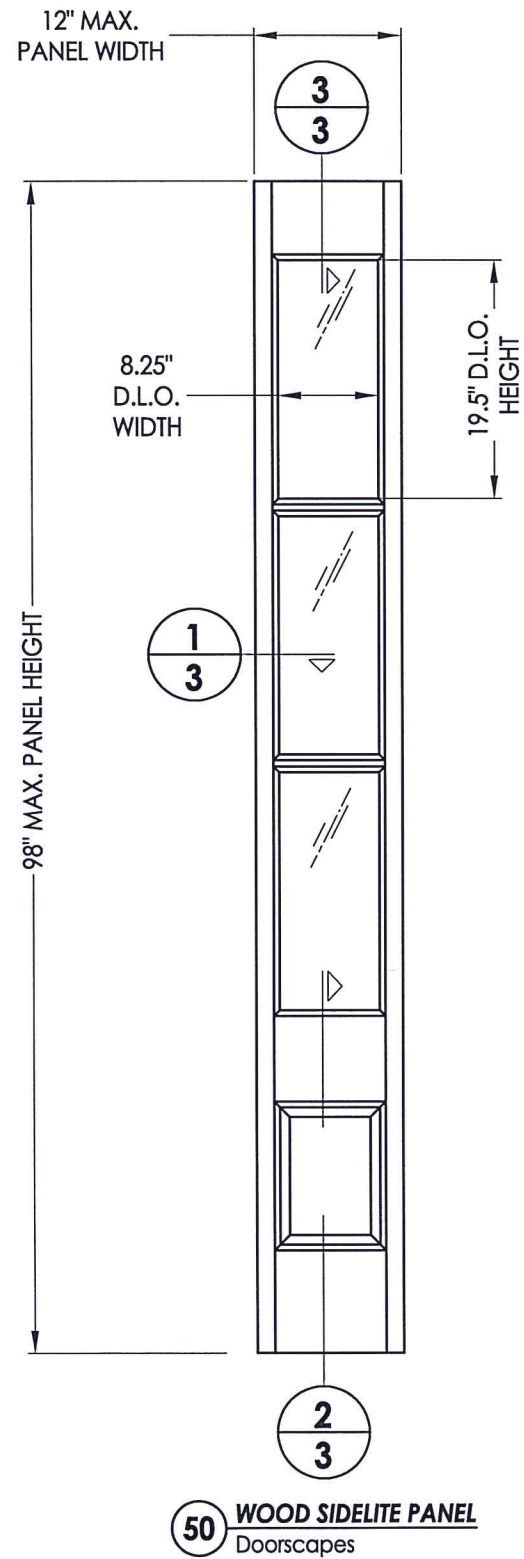


Documents Prepared By: Lyndon F. Schmidt, P.E.  
TEXAS P.E. #104123  
**RW** BUILDING CONSULTANTS, INC.  
P.O. Box 230 Valrico FL 33595  
Phone No.: 813.659.9197  
TEXAS BOARD OF PROFESSIONAL ENGINEERS  
CERTIFICATE OF REGISTRATION # F-11852

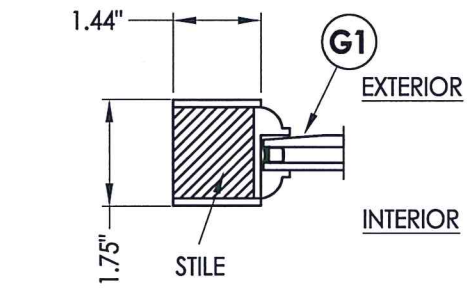
PRODUCT: DOORSCAPES WOOD DOOR  
PART OR ASSEMBLY: DOOR PANEL DETAILS

NO.	DATE	BY	REVISIONS

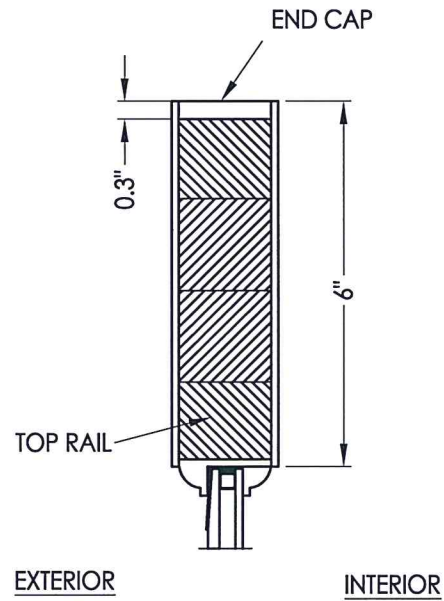
DATE: 3/08/22  
SCALE: N.T.S.  
DWG. BY: LFS  
CHK. BY: RW  
DRAWING NO.: TX-5259  
SHEET 2 OF 10



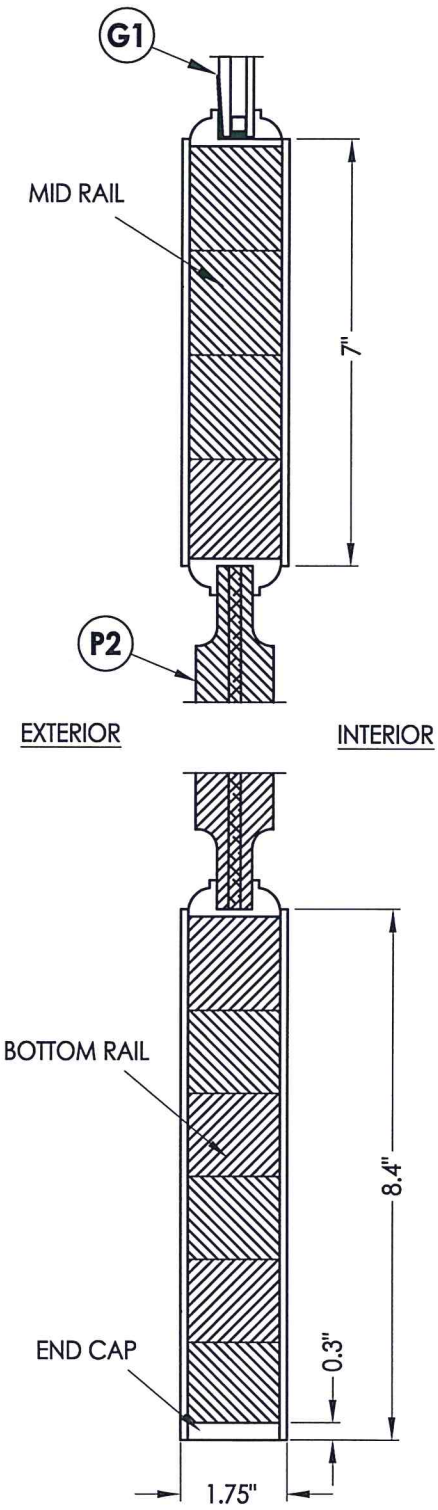
WOOD SIDELITE COMPONENTS:  
 OUTER VANEER (3mm) & END CAPS: ALDER (G=0.4 MIN.)  
 CORE: PINE (G=0.4 MIN.)



1/3 VERTICAL CROSS SECTION



3/3 VERTICAL CROSS SECTION



2/3 VERTICAL CROSS SECTION



Documents Prepared By: Lyndon F. Schmidt, P.E.  
 TEXAS P.E. #104123

RW BUILDING CONSULTANTS, INC.  
 P.O. Box 230 Valrico FL 33595  
 Phone No.: 813.659.9197

TEXAS BOARD OF PROFESSIONAL ENGINEERS  
 CERTIFICATE OF REGISTRATION # F-11852

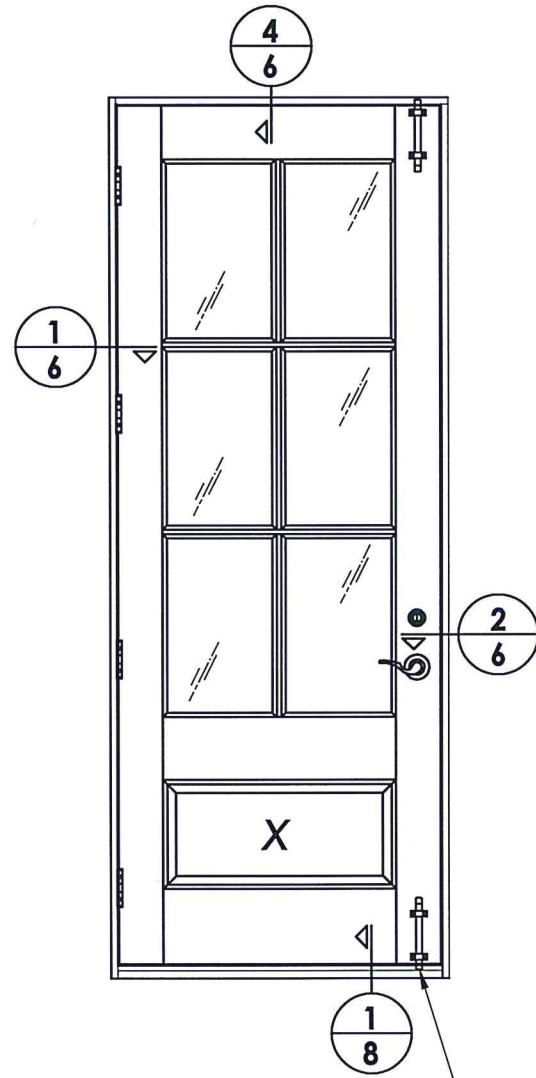
PRODUCT: DOORSCAPES WOOD DOOR  
 PART OR ASSEMBLY: SIDELITE PANEL DETAILS

NO.	DATE	BY	REVISIONS

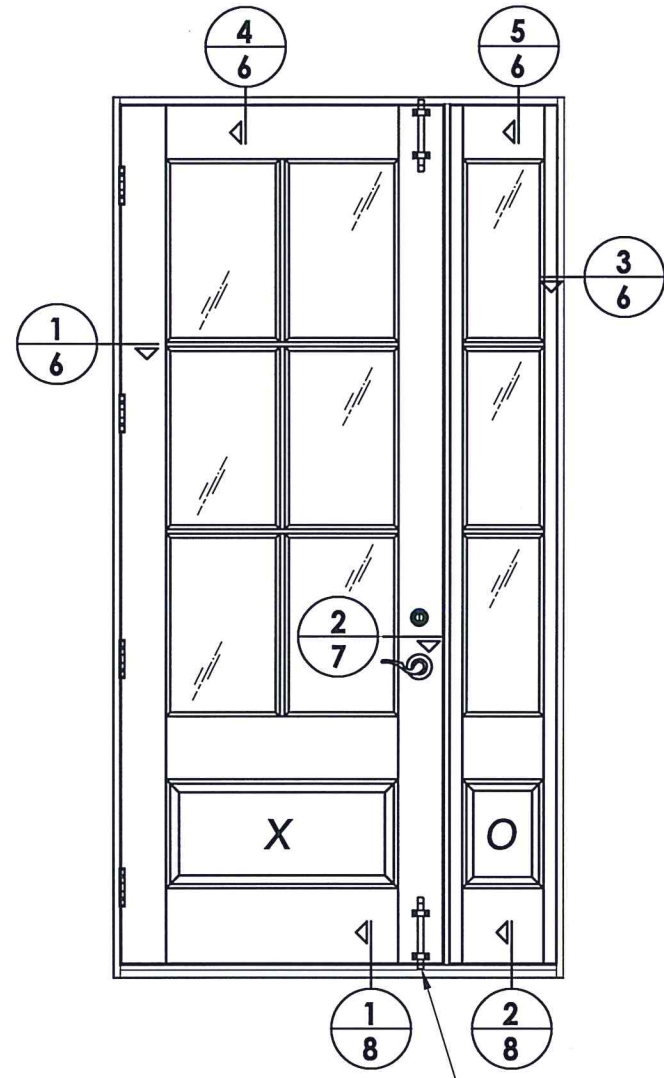
DATE: 3/08/22  
 SCALE: N.T.S.  
 DWG. BY: LFS  
 CHK. BY: RW  
 DRAWING NO.: TX-5259  
 SHEET 3 OF 10



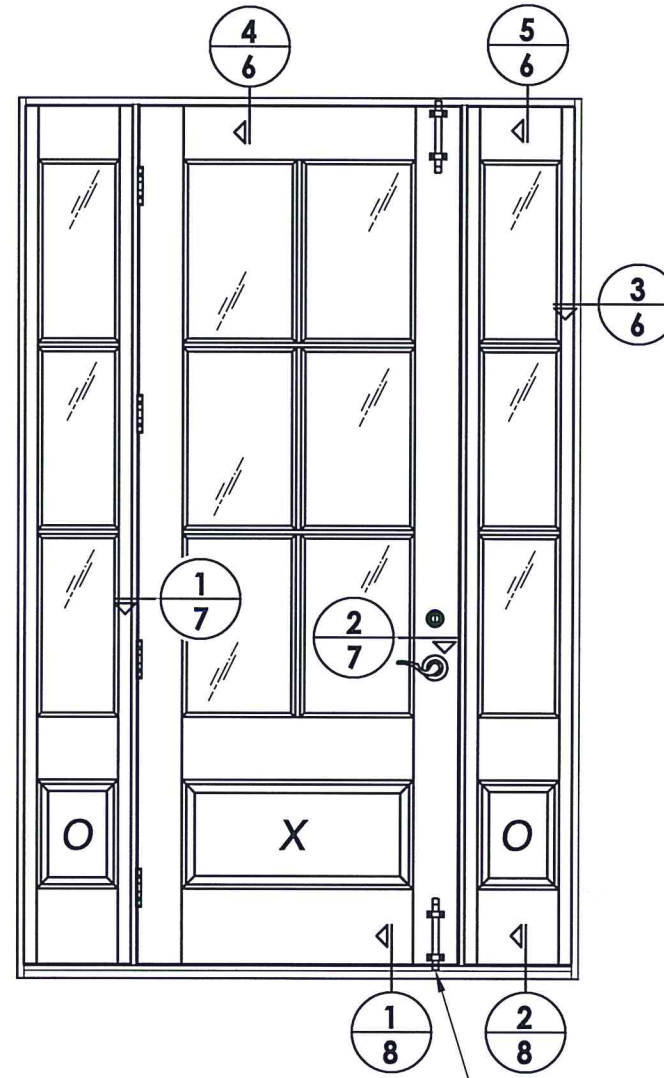




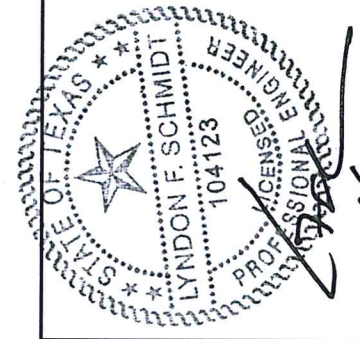
SURFACE BOLTS @ HEAD & SILL ON ACTIVE DOOR (SEE SHEET 1 FOR DESIGN PRESSURE TABLE REQUIREMENTS)



SURFACE BOLTS @ HEAD & SILL ON ACTIVE DOOR (SEE SHEET 1 FOR DESIGN PRESSURE TABLE REQUIREMENTS)



SURFACE BOLTS @ HEAD & SILL ON ACTIVE DOOR (SEE SHEET 1 FOR DESIGN PRESSURE TABLE REQUIREMENTS)



Documents Prepared By: Lyndon F. Schmidt, P.E.  
TEXAS P.E. #104123

**RW** BUILDING CONSULTANTS, INC.  
P.O. Box 230 Valrico FL, 33595  
Phone No.: 813.659.9197

TEXAS BOARD OF PROFESSIONAL ENGINEERS  
CERTIFICATE OF REGISTRATION # F-11852

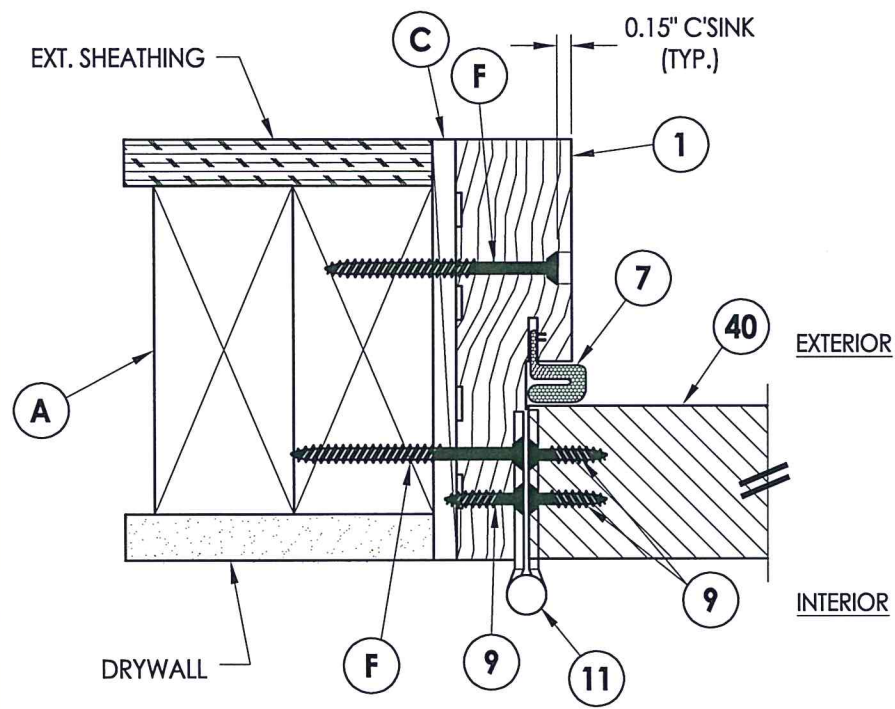
PRODUCT: DOORSCAPES WOOD DOOR  
PART OR ASSEMBLY: ELEVATIONS

NO.	DATE	BY	REVISIONS

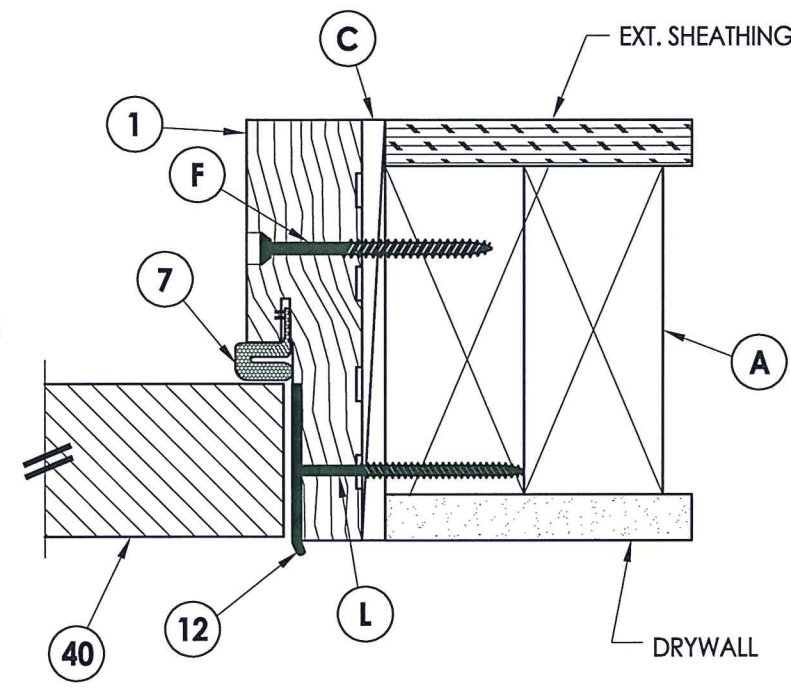
DATE: 3/08/22  
SCALE: N.T.S.  
DWG. BY: LFS  
CHK. BY: RW  
DRAWING NO.: TX-5259  
SHEET 5 of 10



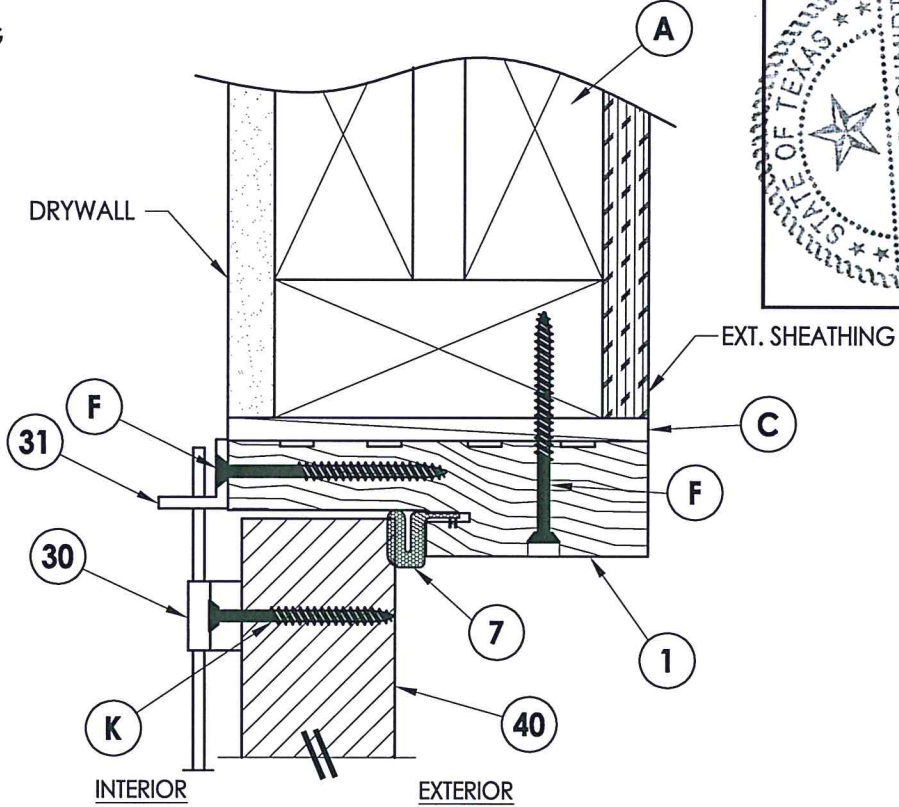
Z:\Clients\Doorscapes\B - Texas Dept of Ins\TDI - DR-XXXX 8-0 Wood Non-Impact\C - Drawings\TX-5259.dwg



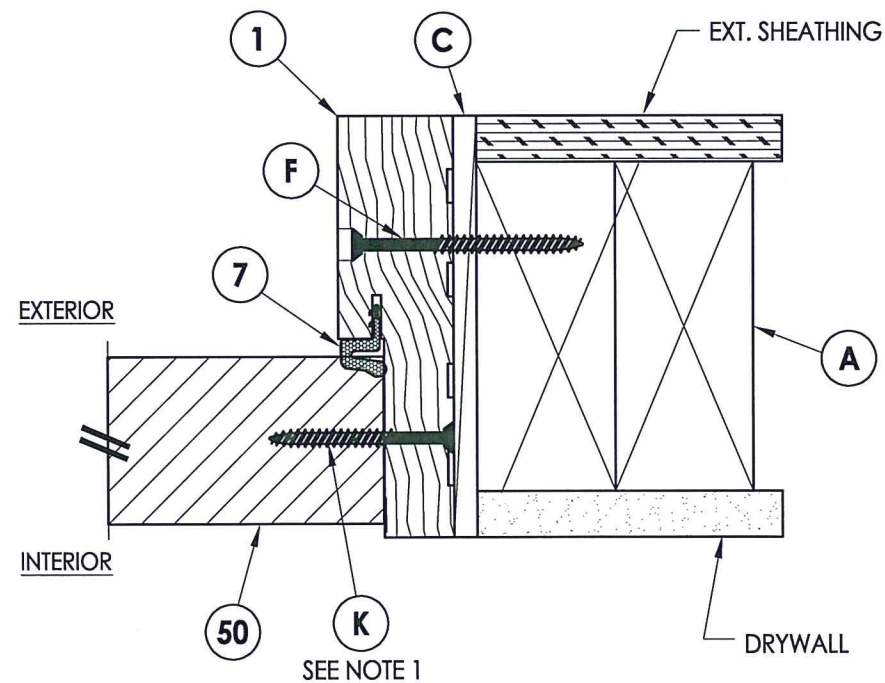
**1**  
**6** HORIZONTAL CROSS SECTION



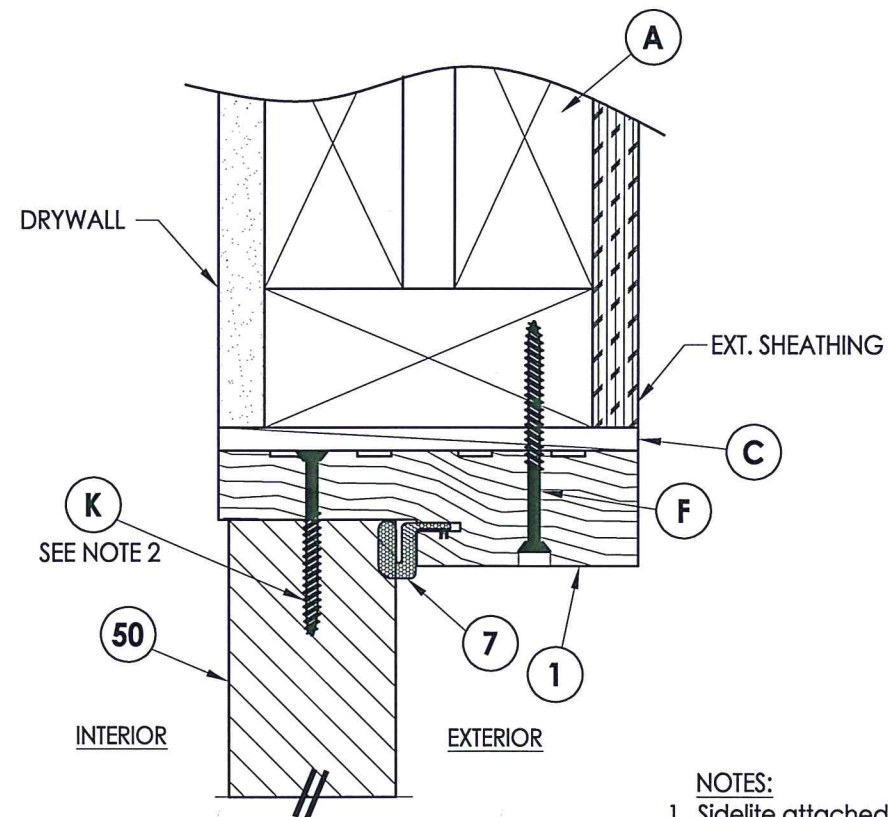
**2**  
**6** HORIZONTAL CROSS SECTION



**4**  
**6** VERTICAL CROSS SECTION



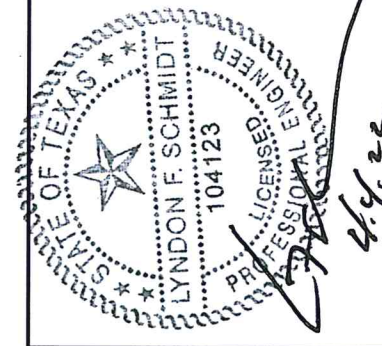
**3**  
**6** HORIZONTAL CROSS SECTION



**5**  
**6** VERTICAL CROSS SECTION

**NOTES:**

- Sidelite attached @ 4" from each end plus 3 more screws equally spaced between (5 screws total per jamb).
- Sidelite attached @ 3" from each end (2 screws total @ head).



Documents Prepared By: Lyndon F. Schmidt, P.E.  
TEXAS P.E. #104123

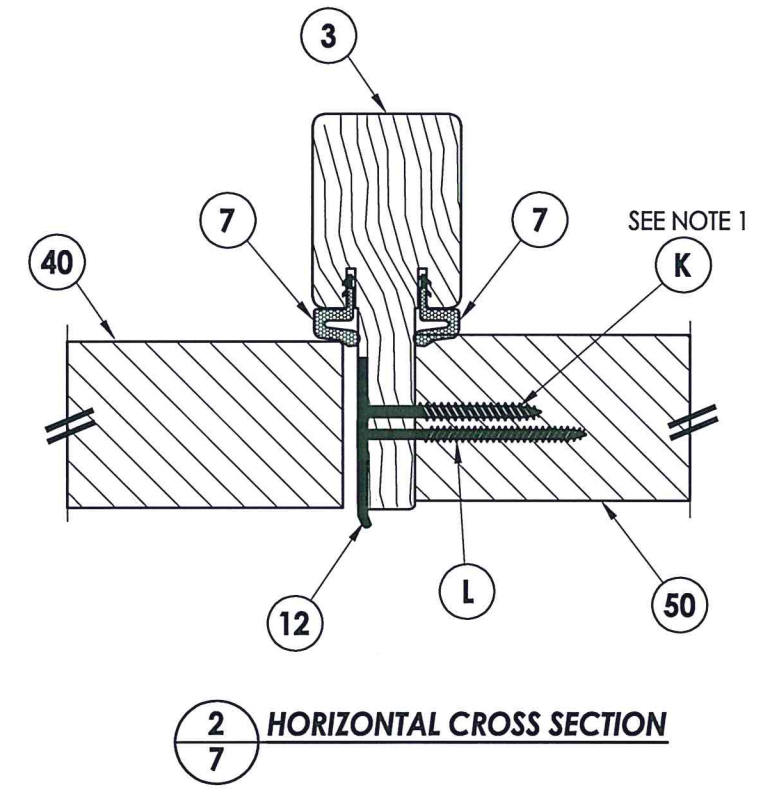
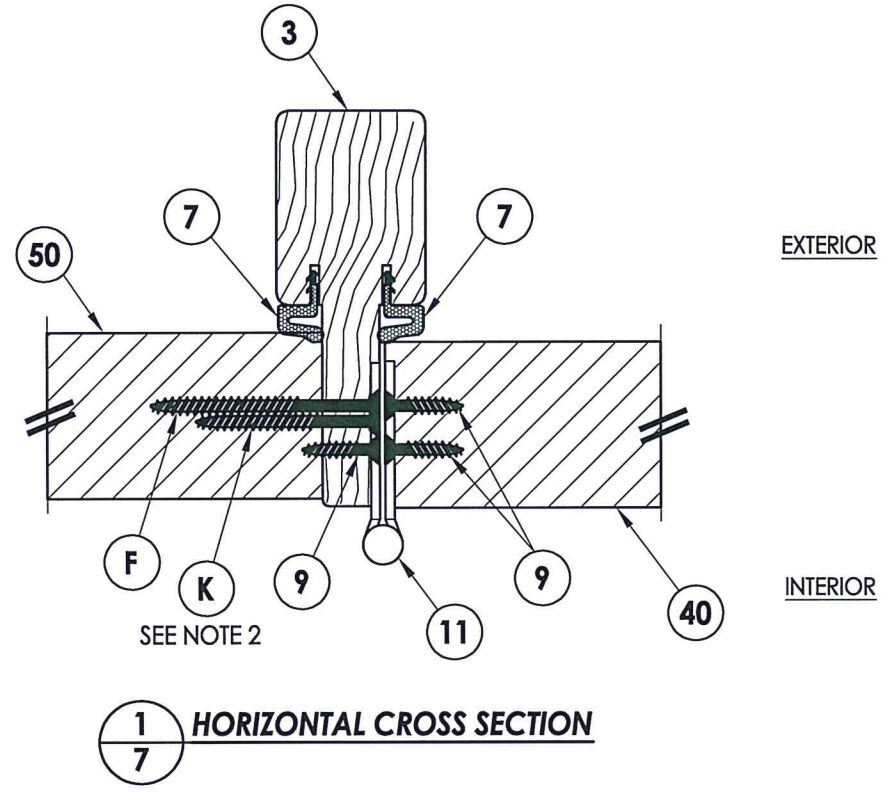
**RW** BUILDING CONSULTANTS, INC.  
P.O. Box 230 Valrico FL 33595  
Phone No.: 813.659.9197

TEXAS BOARD OF PROFESSIONAL ENGINEERS  
CERTIFICATE OF REGISTRATION # F-11852

PRODUCT: DOORSCAPES WOOD DOOR  
PART OR ASSEMBLY: HORIZONTAL & VERTICAL CROSS SECTIONS

NO.	DATE	BY	REVISIONS

DATE: 3/08/22  
SCALE: N.T.S.  
DWG. BY: LFS  
CHK. BY: RW  
DRAWING NO.: TX-5259  
SHEET 6 OF 10



**NOTES:**

1. Sidelite attached @ 4" from each end plus 3 more screws equally spaced between (5 screws total per jamb).
2. Sidelite attached w/ 1 screw equally spaced between each hinge (3 screws total per mullion).

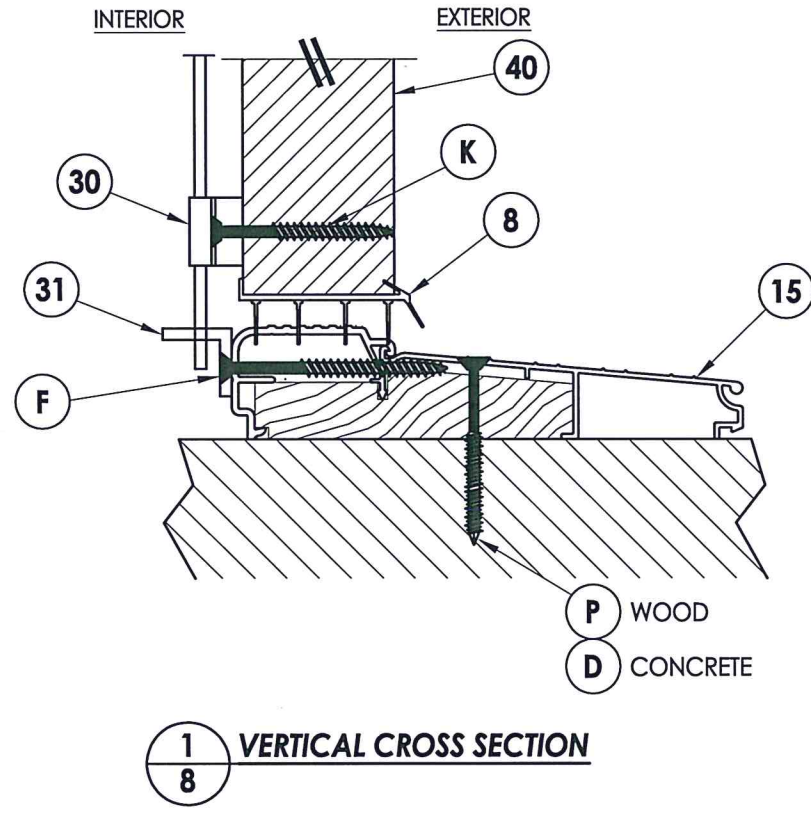


Documents Prepared By: Lyndon F. Schmidt, P.E.  
TEXAS P.E. #104123

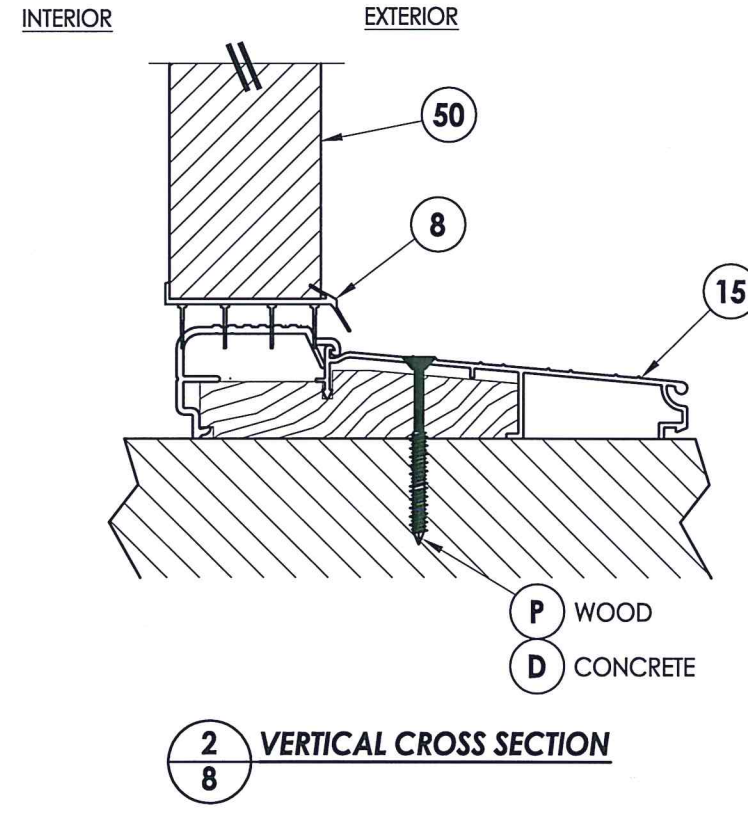
**RW** BUILDING CONSULTANTS, INC.  
P.O. Box 230 Valrico FL, 33595  
Phone No.: 813.659.9197  
TEXAS BOARD OF PROFESSIONAL ENGINEERS  
CERTIFICATE OF REGISTRATION # F-11852

<b>PRODUCT:</b>	DOORSCAPES WOOD DOOR	
<b>PART OR ASSEMBLY:</b>	HORIZONTAL CROSS SECTIONS	
<b>NO.</b>	<b>DATE</b>	<b>BY</b>
<b>REVISIONS</b>		
DATE: 3/08/22		
SCALE: N.T.S.		
DWG. BY: LFS		
CHK. BY: RW		
DRAWING NO.: TX-5259		
SHEET 7 OF 10		

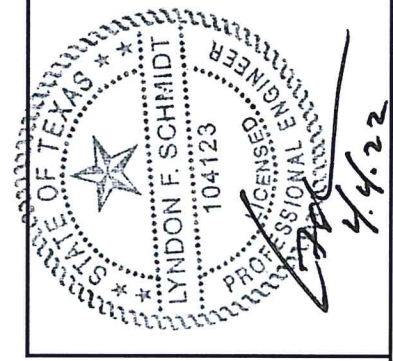




**1**  
**8** VERTICAL CROSS SECTION



**2**  
**8** VERTICAL CROSS SECTION



Documents Prepared By: Lyndon F. Schmidt, P.E.  
TEXAS P.E. #104123

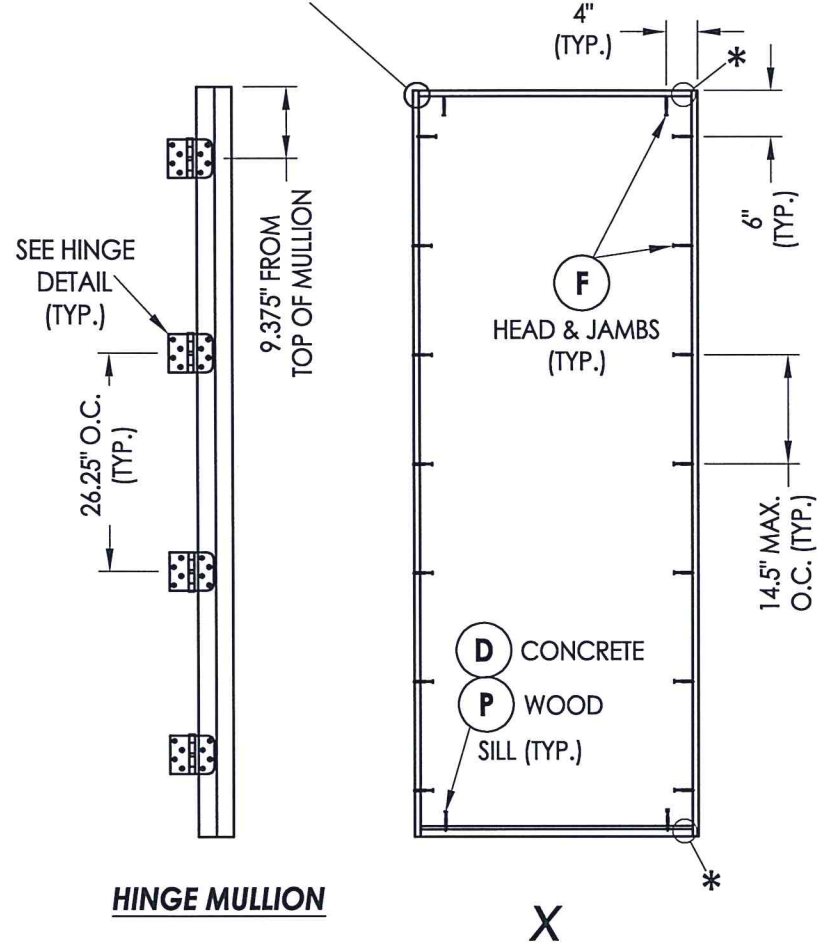
*RW* BUILDING CONSULTANTS, INC.  
P.O. Box 230 Valrico FL, 33595  
Phone No.: 813.659.9197

TEXAS BOARD OF PROFESSIONAL ENGINEERS  
CERTIFICATE OF REGISTRATION # F-11852

PRODUCT: DOORSCAPES WOOD DOOR	
PART OR ASSEMBLY: VERTICAL CROSS SECTIONS	
NO.	DATE
BY	REVISIONS
DATE: 3/08/22	
SCALE: N.T.S.	
DWG. BY: LFS	
CHK. BY: RW	
DRAWING NO.: TX-5259	
SHEET 8 of 10	



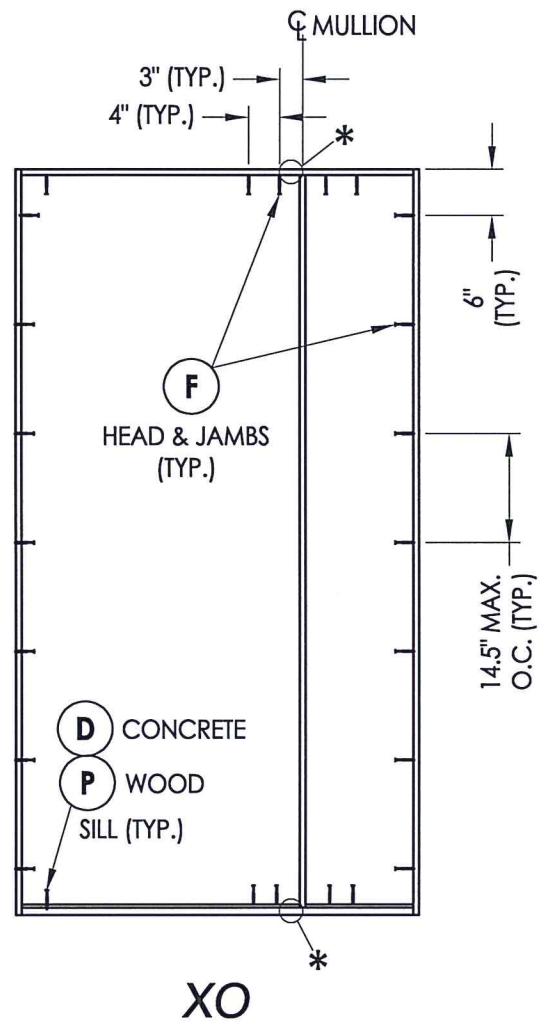
FRAME CORNERS ATTACHED w/  
(3) #10 X 3" TRIM SCREWS (TYP.)



**HINGE MULLION**

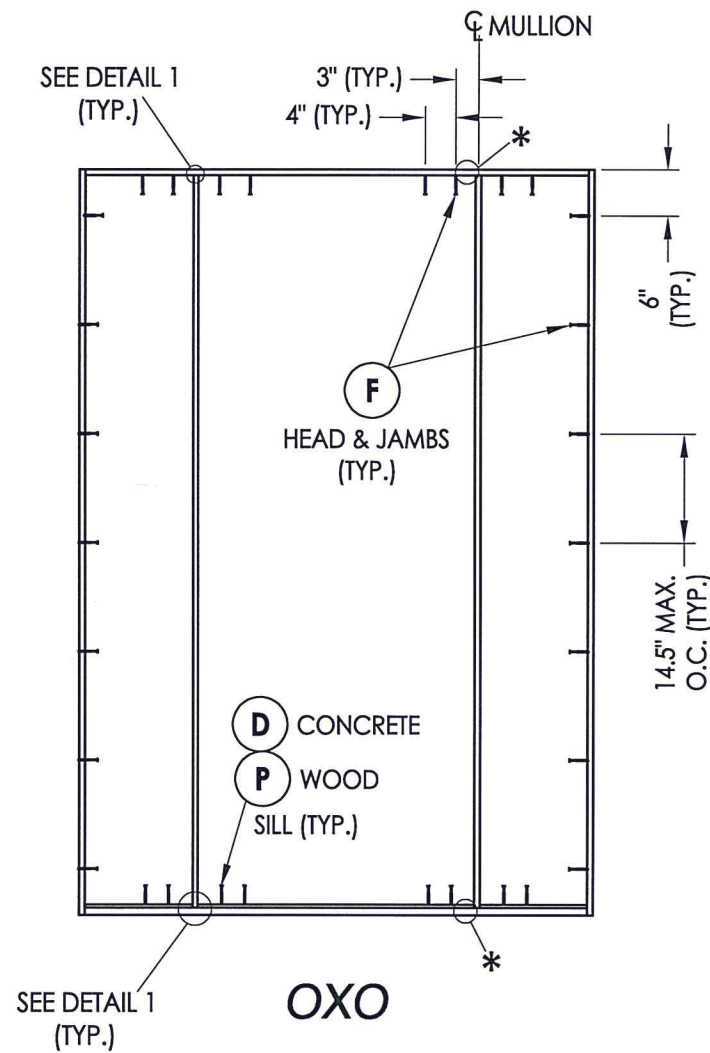
**X**

\* SEE SURFACE BOLT GUIDE PLATE DETAIL (TYP.)



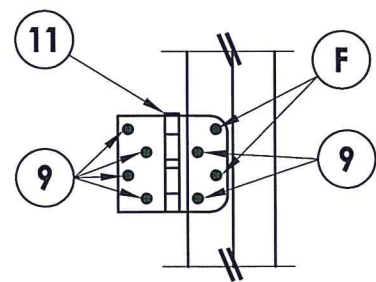
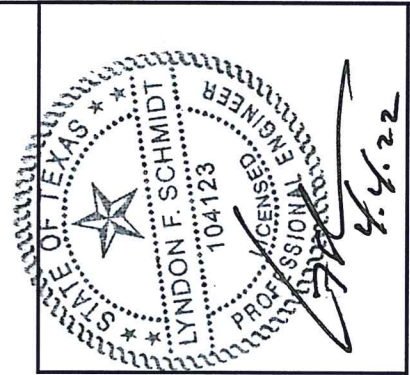
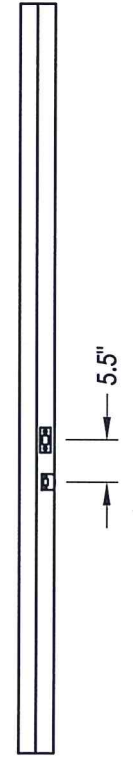
**XO**

**FRAME ANCHORING**

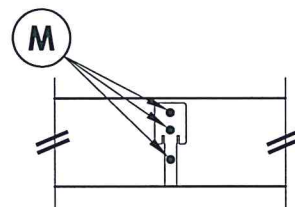


**OXO**

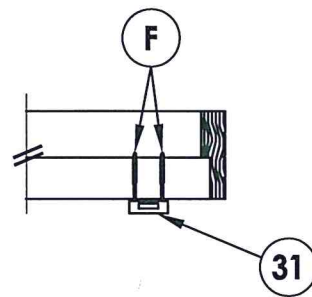
**STRIKE MULLION**



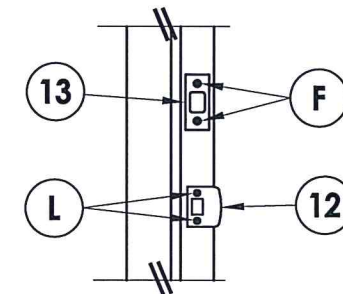
**HINGE DETAIL**



**DETAIL 1**



**SURFACE BOLT GUIDE PLATE DETAIL**  
@ HEAD SHOWN (SILL SIMILAR)



**LATCH & DEADBOLT DETAIL**

PRODUCT: DOORSCAPES WOOD DOOR  
PART OR ASSEMBLY: FRAME ANCHORING & HARDWARE DETAILS

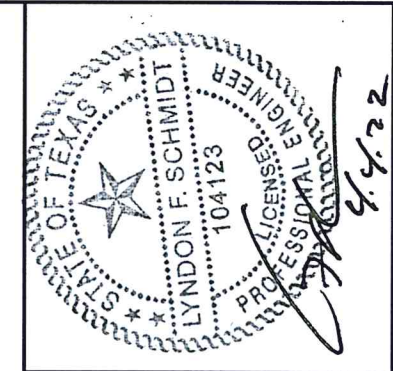
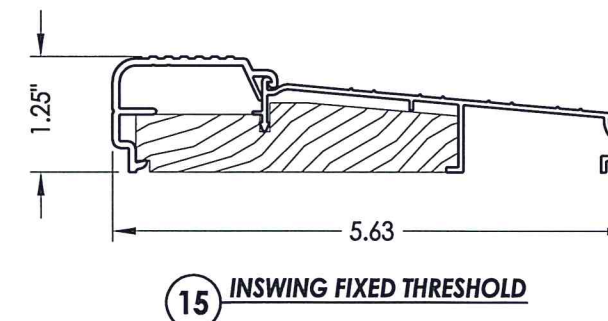
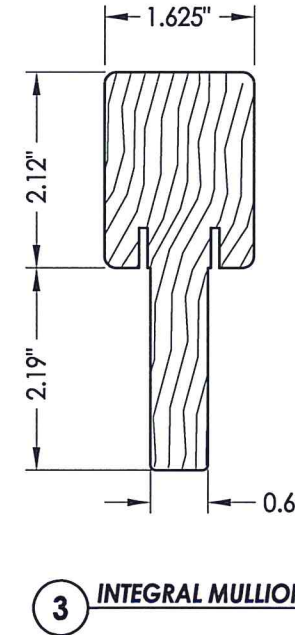
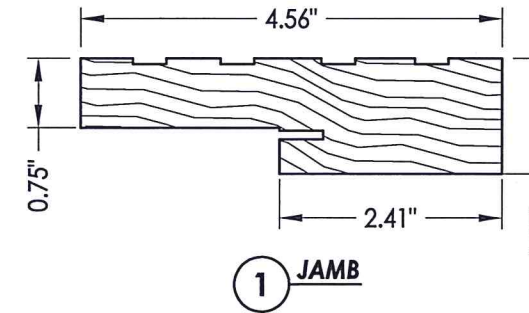
NO.	DATE	BY	REVISIONS

DATE: 3/08/22  
SCALE: N.T.S.  
DWG. BY: LFS  
CHK. BY: RW  
DRAWING NO.: TX-5259  
SHEET 9 of 10

Documents Prepared By: Lyndon F. Schmidt, P.E.  
TEXAS P.E. #104123  
**RW** BUILDING CONSULTANTS, INC.  
P.O. Box 230 Valrico FL, 33595  
Phone No.: 813.659.9197  
TEXAS BOARD OF PROFESSIONAL ENGINEERS  
CERTIFICATE OF REGISTRATION # F-11852

**BILL OF MATERIALS**

ITEM #	DESCRIPTION	MATERIAL
A	2X FRAMING (G >= 0.42)	WOOD
C	1/4" MAX. SHIM SPACE	-
D	1/4" Ø PFH DeWALT OR ITW CONCRETE SCREW (1-3/4" MIN. EMBEDMENT)	STEEL
F	#10 X 2-1/2" PFH WOOD SCREW (1.15" MIN. EMBEDMENT)	STEEL
K	#10 X 2" PFH WOOD SCREW	STEEL
L	#8 X 2-1/2" PFH WOOD SCREW	STEEL
M	#7 X 2-1/2" DRYWALL SCREW	STEEL
P	#10 PFH WOOD SCREW (1-1/2" MIN. EMB.)	STEEL
1	JAMB (PINE, G >= 0.4)	WOOD
3	INTEGRAL MULLION (PINE, G >= 0.4)	WOOD
7	WEATHERSTRIP	FOAM
8	DOOR/SIDELITE BOTTOM SWEEP	VINYL
9	#9 X 3/4" PFH WOOD SCREW	STEEL
11	4" X 4" BUTT HINGE	STEEL
12	LATCH STRIKE PLATE	STEEL
13	DEADBOLT STRIKE PLATE	STEEL
15	INSWING THRESHOLD (AFCO A-280)	ALUM/WOOD
30	8" SURFACE BOLT (HAGER 275D)	STEEL
31	SURFACE BOLT GUIDE PLATE	STEEL
40	DOOR PANEL - SEE DOOR PANEL DETAIL SHEET FOR DETAILS	-
50	SIDELITE PANEL - SEE SIDELITE PANEL DETAIL SHEET FOR DETAILS	-



Documents Prepared By: Lyndon F. Schmidt, P.E.  
TEXAS P.E. #104123

**RW** BUILDING CONSULTANTS, INC.  
P.O. Box 230 Vairico FL 33595  
Phone No.: 813.659.9197

TEXAS BOARD OF PROFESSIONAL ENGINEERS  
CERTIFICATE OF REGISTRATION # F-11852

PRODUCT: DOORSCAPES WOOD DOOR

PART OR ASSEMBLY: BILL OF MATERIALS & COMPONENTS

NO.	DATE	BY	REVISIONS

DATE: 3/08/22

SCALE: N.T.S.

DWG. BY: LFS

CHK. BY: RW

DRAWING NO.: TX-5259

SHEET 10 OF 10

**CONCRETE ANCHOR NOTES:**

- Concrete anchor locations at the corners may be adjusted to maintain the min. edge distance to mortar joints.
- Concrete anchor locations noted as "MAX. ON CENTER" must be adjusted to maintain the min. edge distance to mortar joints, additional concrete anchors may be required to ensure the "MAX. ON CENTER" dimension are not exceeded.
- Concrete anchor table:

ANCHOR TYPE	ANCHOR SIZE	MIN. EMBEDMENT	MIN. CLEARANCE TO MASONRY EDGE	MIN. CLEARANCE TO ADJACENT ANCHOR
ITW BUILDEX TAPCON®	1/4"	1-3/4"	2"	4"
DeWALT ULTRACON®	1/4"	1-3/4"	1"	4"

**WOOD SCREW INSTALLATION NOTES:**

- Maintain a minimum 5/8" edge distance, 1" end distance, & 1" o.c. spacing of wood screws to prevent the splitting of wood.