

# PLYCO CORPORATION

## SERIES 95EV FLUSH STEEL OUTSWING DOOR (NON-IMPACT)



PLYCO CORPORATION  
P.O. BOX 386  
500 INDUSTRIAL RD.  
ELKHART LAKE, WI 53020  
PH: (920) 876-3611 FAX: (920) 876-3527

### INSTALLATION NOTES:

- ONE (1) INSTALLATION ANCHOR IS REQUIRED AT EACH ANCHOR LOCATION SHOWN UNLESS OTHERWISE NOTED.
- THE NUMBER OF INSTALLATION ANCHORS DEPICTED IS THE MINIMUM NUMBER OF ANCHORS TO BE USED FOR PRODUCT INSTALLATION.
- INSTALL INDIVIDUAL INSTALLATION ANCHORS WITHIN A TOLERANCE OF ±1/2 INCH OF THE DEPICTED LOCATION IN THE ANCHOR LAYOUT DETAIL (I.E., WITHOUT CONSIDERATION OF TOLERANCES). TOLERANCES ARE NOT CUMULATIVE FROM ONE INSTALLATION ANCHOR TO THE NEXT.
- SHIM AS REQUIRED AT EACH INSTALLATION ANCHOR WITH LOAD BEARING SHIM(S). MAXIMUM ALLOWABLE SHIM STACK TO BE 1/4 INCH. SHIM WHERE SPACE OF 1/16 INCH OR GREATER OCCURS. SHIM(S) SHALL BE CONSTRUCTED OF HIGH DENSITY PLASTIC OR BETTER.
- FOR INSTALLATION INTO WOOD FRAMING USE **#10 WOOD SCREWS** OF SUFFICIENT LENGTH TO ACHIEVE 1 1/2 INCH MINIMUM EMBEDMENT INTO WOOD SUBSTRATE.
- FOR INSTALLATION THROUGH 1X BUCK TO CONCRETE/MASONRY, OR DIRECTLY INTO CONCRETE/MASONRY, USE **3/16 INCH DIAMETER ITW TAPCONS** OF SUFFICIENT LENGTH TO ACHIEVE 1 1/4 INCH MINIMUM EMBEDMENT.
- FOR INSTALLATION INTO STEEL STUD FRAME USE **#10 SLEF-DRILLING OR SELF-TAPPING SCREWS** OF SUFFICIENT LENGTH TO ACHIEVE A MINIMUM 3 THREADS PENETRATION BEYOND STEEL STRUCTURE.
- MINIMUM EMBEDMENT AND EDGE DISTANCE EXCLUDE WALL FINISHES, INCLUDING BUT NOT LIMITED TO STUCCO, FOAM, BRICK VENEER, AND SIDING.
- INSTALLATION ANCHORS AND ASSOCIATED HARDWARE MUST BE MADE OF CORROSION RESISTANT MATERIAL OR HAVE A CORROSION RESISTANT COATING.
- FOR HOLLOW BLOCK AND GROUT FILLED BLOCK, DO NOT INSTALL INSTALLATION ANCHORS INTO MORTAR JOINTS. EDGE DISTANCE IS MEASURED FROM FREE EDGE OF BLOCK OR EDGE OF MORTAR JOINT INTO FACE SHELL OF BLOCK.
- INSTALLATION ANCHORS SHALL BE INSTALLED IN ACCORDANCE WITH ANCHOR MANUFACTURER'S INSTALLATION INSTRUCTIONS, AND ANCHORS SHALL NOT BE USED IN SUBSTRATES WITH STRENGTHS LESS THAN THE MINIMUM STRENGTH SPECIFIED BY THE ANCHOR MANUFACTURER.
- INSTALLATION ANCHOR CAPACITIES FOR PRODUCTS HEREIN ARE BASED ON SUBSTRATE MATERIALS WITH THE FOLLOWING PROPERTIES:
  - WOOD - MINIMUM SPECIFIC GRAVITY OF 0.42.
  - CONCRETE -MINIMUM COMPRESSIVE STRENGTH OF 3000 PSI.
  - MASONRY - STRENGTH CONFORMANCE TO ASTM C-90.
  - STEEL - MINIMUM YIELD STRENGTH OF 33 KSI. MINIMUM WALL THICKNESS OF 48 MILS (18 GAUGE).

### GENERAL NOTES:

- THE PRODUCT SHOWN HEREIN IS DESIGNED AND MANUFACTURED TO COMPLY WITH THE 2018 INTERNATIONAL BUILDING CODE (IBC) AND 2018 INTERNATIONAL RESIDENTIAL CODE (IRC) AND HAS BEEN EVALUATED ACCORDING TO THE FOLLOWING:
  - AAMA/WDMA/CSA 101/I.S.2/A440-17
- ADEQUACY OF THE EXISTING STRUCTURAL CONCRETE/MASONRY AND 2X FRAMING AS A MAIN WIND FORCE RESISTING SYSTEM CAPABLE OF WITHSTANDING AND TRANSFERRING APPLIED PRODUCT LOADS TO THE FOUNDATION IS THE RESPONSIBILITY OF THE ENGINEER OR ARCHITECT OF RECORD FOR THE PROJECT OF INSTALLATION.
- 1X AND 2X BUCKS (WHEN USED) SHALL BE DESIGNED AND ANCHORED TO PROPERLY TRANSFER ALL LOADS TO THE STRUCTURE. BUCK DESIGN AND INSTALLATION IS THE RESPONSIBILITY OF THE ENGINEER OR ARCHITECT OF RECORD FOR THE PROJECT OF INSTALLATION.
- THE INSTALLATION DETAILS DESCRIBED HEREIN ARE GENERIC AND MAY NOT REFLECT ACTUAL CONDITIONS FOR A SPECIFIC SITE. IF SITE CONDITIONS CAUSE INSTALLATION TO DEVIATE FROM THE REQUIREMENTS DETAILED HEREIN, A LICENSED ENGINEER OR ARCHITECT SHALL PREPARE SITE SPECIFIC DOCUMENTS FOR USE WITH THIS DOCUMENT.
- APPROVED IMPACT PROTECTIVE SYSTEM **IS REQUIRED** ON THIS PRODUCT IN AREAS REQUIRING IMPACT RESISTANCE.
- FRAME MATERIAL: ALUMINUM 6063-T5 & CS-B STEEL
- DISSIMILAR METALS INCLUDING FASTENERS THAT MAY COME INTO CONTACT WITH ALUMINUM UNIT FRAMING SHALL BE PROTECTED.
- ALL EXPOSED STEEL COMPONENTS ARE GALVANIZED AND SHOP PRIMED.

TABLE OF CONTENTS	
SHEET	SHEET DESCRIPTION
1	INSTALLATION & GENERAL NOTES
2	ELEVATION & ANCHOR LAYOUT
3	VERTICAL SECTIONS
4	HORIZONTAL SECTIONS
5	COMPONENTS & BILL OF MATERIALS

DESIGN PRESSURE RATING			
LOCK TYPE	DESIGN PRESSURE - ALL SIZES		MISSILE IMPACT RATING
SINGLE POINT	+50.0 / -50.0 PSF *	W/O WATER INFILTRATION	NON-IMPACT
SINGLE POINT W/ DEAD BOLT	+75.0 / -75.0 PSF *	W/O WATER INFILTRATION	NON-IMPACT

\*UNIT SHALL BE INSTALLED AT LOCATION PROTECTED BY OVERHANG SUCH THE OVERHANG RATIO (OH) = OH LENGTH/OH HEIGHT GREATER THAN 1.0 WHERE WATER INFILTRATION IS REQUIRED.

TITLE: SERIES 95EV FLUSH STEEL OUTSWING DOOR (NON-IMPACT)  
INSTALLATION & GENERAL NOTES  
PREPARED BY: BUILDING DROPS, INC.  
398 E. DANIA BEACH BLVD., STE. 338  
DANIA BEACH, FL 33004  
PH: (954)399-8478  
FAX: (954)744-4738  
WEB: www.buildingdrops.com



REMARKS	BY	DATE

THE INSTALLATION DETAILS DESCRIBED HEREIN ARE GENERIC AND MAY NOT REFLECT ACTUAL CONDITIONS FOR A SPECIFIC SITE. IF SITE CONDITIONS CAUSE INSTALLATION TO DEVIATE FROM THE REQUIREMENTS DETAILED HEREIN, A LICENSED ENGINEER OR ARCHITECT SHALL PREPARE SITE SPECIFIC DOCUMENTS FOR USE WITH THIS DOCUMENT.



HERMES F. NORERO, P.E.  
TEXAS P.E. No 118471  
BUILDING DROPS, INC  
398 E. DANIA BEACH BLVD. # 338  
DANIA BEACH, FL 33004  
TBPE FIRM No. 13734

DATE: 02.13.20  
DWG. BY: MS  
CHK. BY: HFN  
SCALE: NTS  
DWG. #: PCO037  
SHEET:

1

OF 5

3/16/2020 9:31 AM  
s:\projects\plyco corp\tdi-19-1128 -tdi-submittal -series 20ev and 95ev gld and opa doors\dwg\pc037\pc037.dwg

TITLE: SERIES 95EV FLUSH STEEL  
 OUTSWING DOOR (NON-IMPACT)  
 ELEVATION &  
 ANCHOR LAYOUT

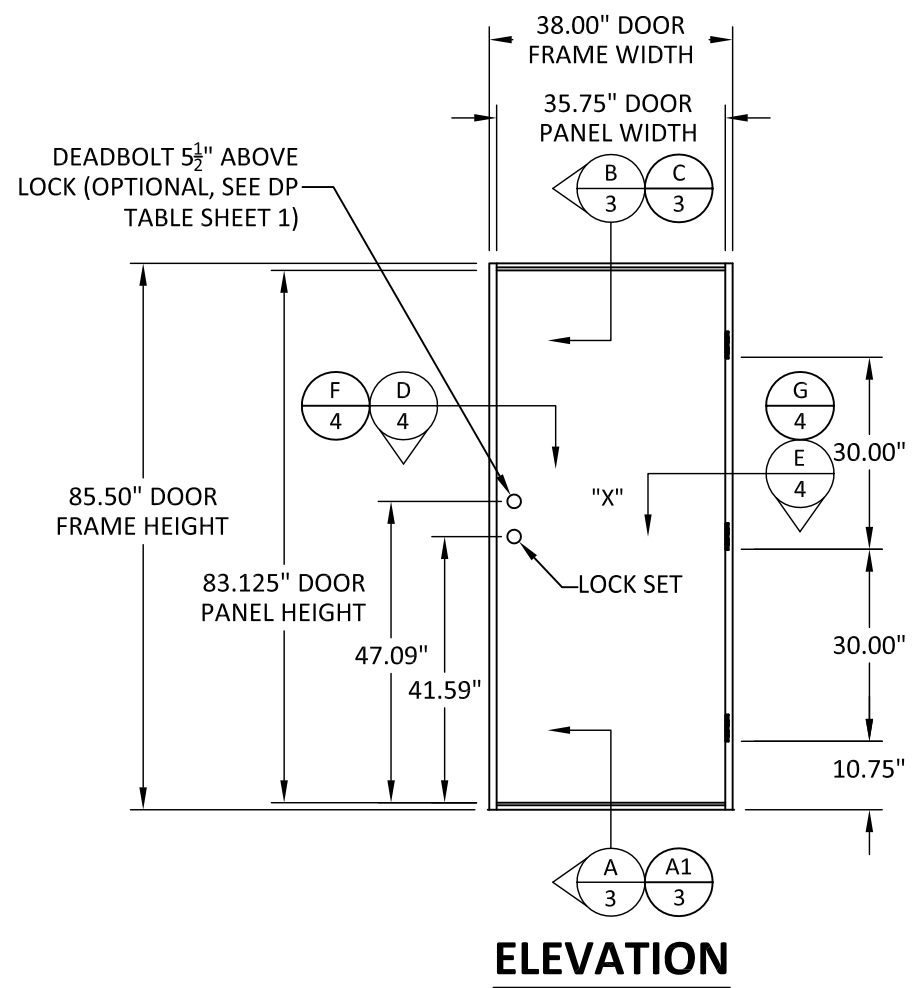
PREPARED BY:  
**BUILDING DROPS, INC.**  
 398 E. DANIA BEACH BLVD., STE. 338  
 DANIA BEACH, FL 33004  
 PH: (954) 399-8478  
 FAX: (954) 744-4738  
 WEB: www.buildingdrops.com

NOTE:  
**FOR WOOD & STEEL SUBSTRATES: MINIMUM OF SEVEN (7) TOTAL ANCHORS REQUIRED PER JAMB. NO ANCHORS AT HEAD OR SILL.**  
**FOR CONCRETE/MASONRY SUBSTRATES: MINIMUM OF SIX (6) TOTAL ANCHORS REQUIRED AT LOCK JAMB & SEVEN (7) ANCHORS AT HINGE JAMB. NO ANCHORS AT HEAD OR SILL.**

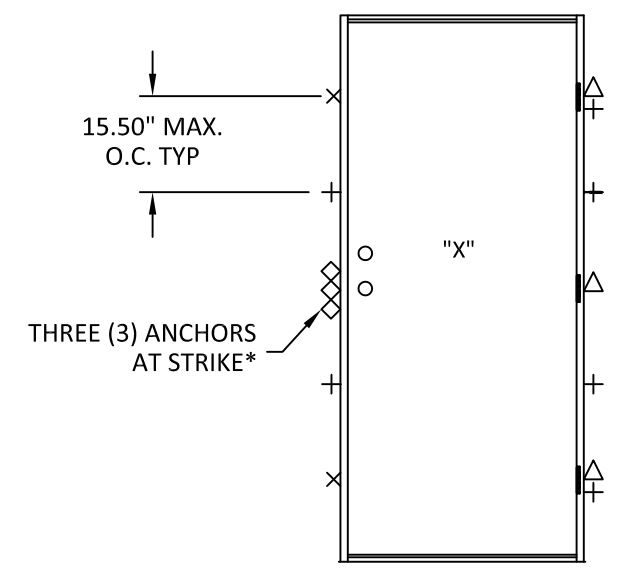
WHEN DEAD BOLT IS USED TWO (2) ADDITIONAL ANCHORS ARE REQUIRED AT DEAD BOLT STRIKE PLATE.

SEE SHEET 4 FOR SPECIFIC ANCHOR LOCATIONS.

\*FOR MASONRY/CONCRETE INSTALLATIONS USE ONLY TWO (2) ANCHORS THROUGH STRIKE PLATE



**ELEVATION**



**ANCHOR LAYOUT**

- LEGEND:**
- × ANCHOR THROUGH INNER FRAME
  - ◇ ANCHOR THROUGH STRIKE PLATE (WHERE APPLICABLE)
  - + ANCHOR THROUGH OUTER FRAME
  - △ ANCHOR THROUGH HINGE

REMARKS	BY	DATE

THE INSTALLATION DETAILS DESCRIBED HEREIN ARE GENERIC AND MAY NOT REFLECT ACTUAL CONDITIONS FOR A SPECIFIC SITE. IF SITE CONDITIONS CAUSE INSTALLATION TO DEVIATE FROM THE REQUIREMENTS DETAILED HEREIN, A LICENSED ENGINEER OR ARCHITECT SHALL PREPARE SITE SPECIFIC DOCUMENTS FOR USE WITH THIS DOCUMENT.



HERMES F. NORERO, P.E.  
 TEXAS P.E. No 118471  
 BUILDING DROPS, INC  
 398 E. DANIA BEACH BLVD. # 338  
 DANIA BEACH, FL 33004  
 TBPE FIRM No. 13734

DATE:	02.13.20	
DWG. BY:	MS	CHK. BY: HFN
SCALE:	NTS	
DWG. #:	PCO037	
SHEET:	2	

3/16/2020 9:31 AM  
 s:\projects\plyco corp\tdi-19-1128 -tdi submittal - series 20ev and 95ev gltd and opa doors\dwg\pco037.pco037.dwg

# PLYCO

PLYCO CORPORATION

P.O. BOX 386  
500 INDUSTRIAL RD.  
ELKHART LAKE, WI 53020  
PH: (920) 876-3611 FAX: (920) 876-3527

TITLE: SERIES 95EV FLUSH STEEL  
OUTSWING DOOR (NON-IMPACT)

VERTICAL SECTIONS

PREPARED BY:  
**BUILDING DROPS, INC.**  
398 E. DANIA BEACH BLVD., STE. 338  
DANIA BEACH, FL 33004  
PH: (954) 399-8478  
FAX: (954) 744-4738  
WEB: www.buildingdrops.com



REMARKS	BY	DATE

THE INSTALLATION DETAILS DESCRIBED HEREIN ARE GENERIC AND MAY NOT REFLECT ACTUAL CONDITIONS FOR A SPECIFIC SITE. IF SITE CONDITIONS CAUSE INSTALLATION TO DEVIATE FROM THE REQUIREMENTS DETAILED HEREIN, A LICENSED ENGINEER OR ARCHITECT SHALL PREPARE SITE SPECIFIC DOCUMENTS FOR USE WITH THIS DOCUMENT.



HERMES F. NORERO, P.E.  
TEXAS P.E. No. 118471  
BUILDING DROPS, INC  
398 E. DANIA BEACH BLVD. # 338  
DANIA BEACH, FL 33004  
TBPE FIRM No. 13734

DATE: 02.13.20

DWG. BY: MS      CHK. BY: HFN

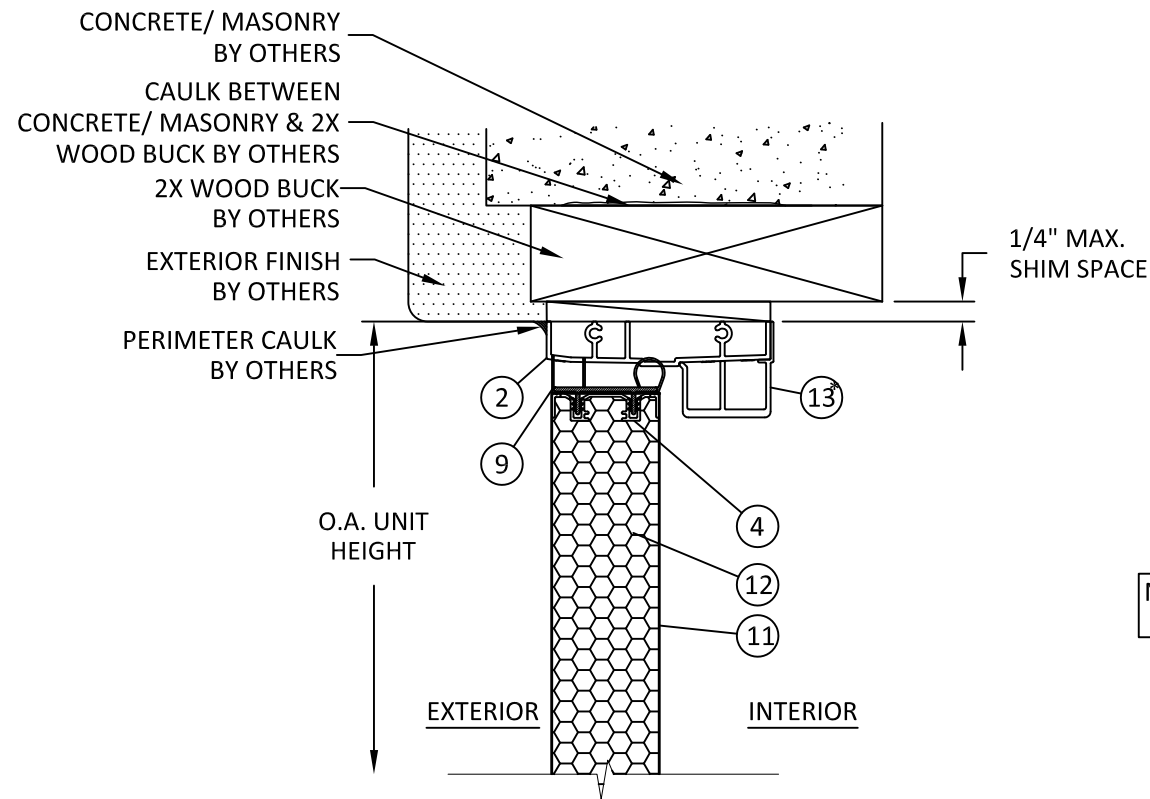
SCALE: NTS

DWG. #: PCO037

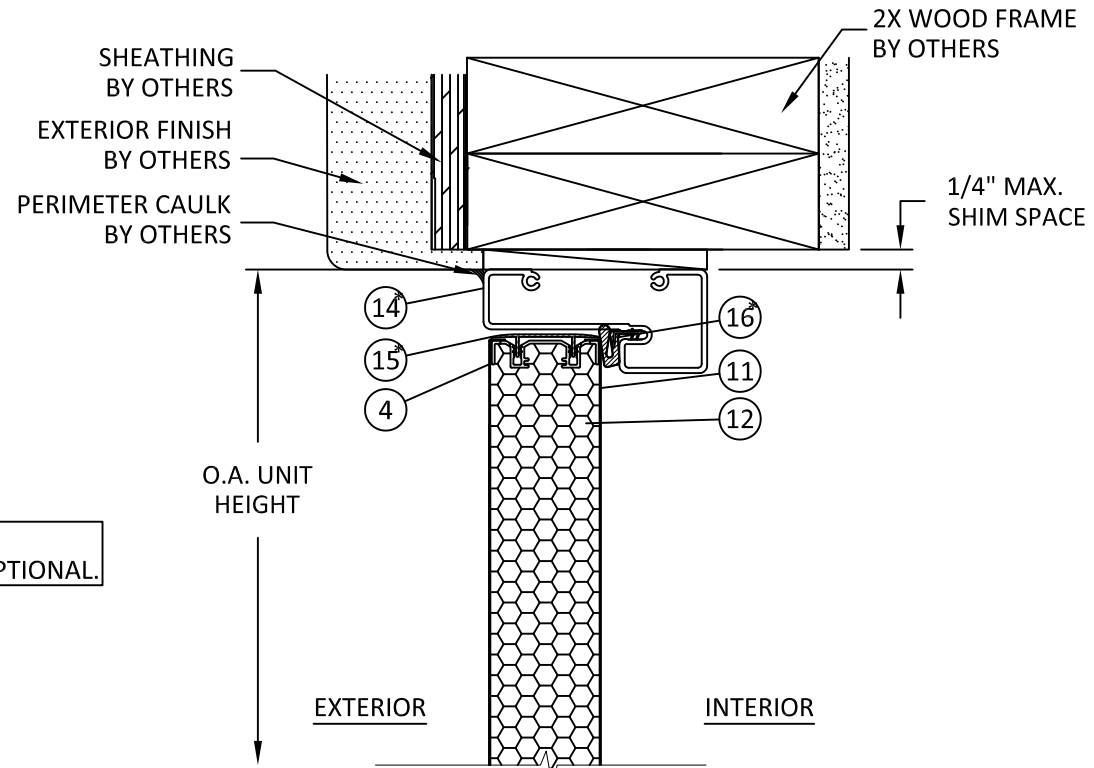
SHEET:

3

OF 5

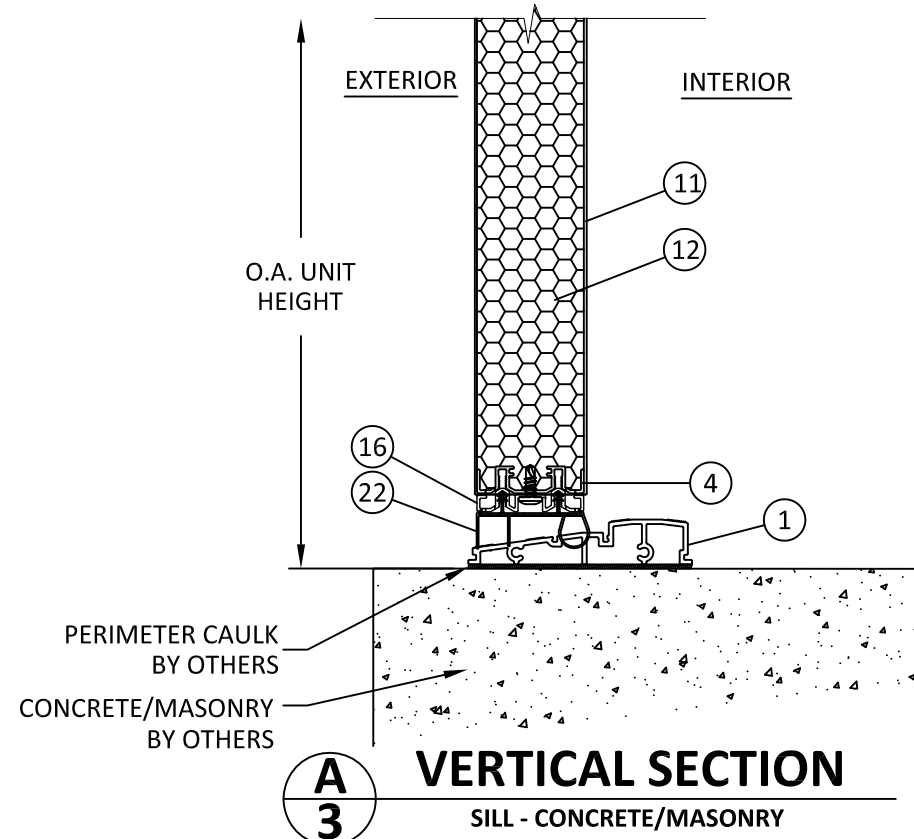


**B**  
**3** VERTICAL SECTION  
HEAD - 2X WOOD BUCK

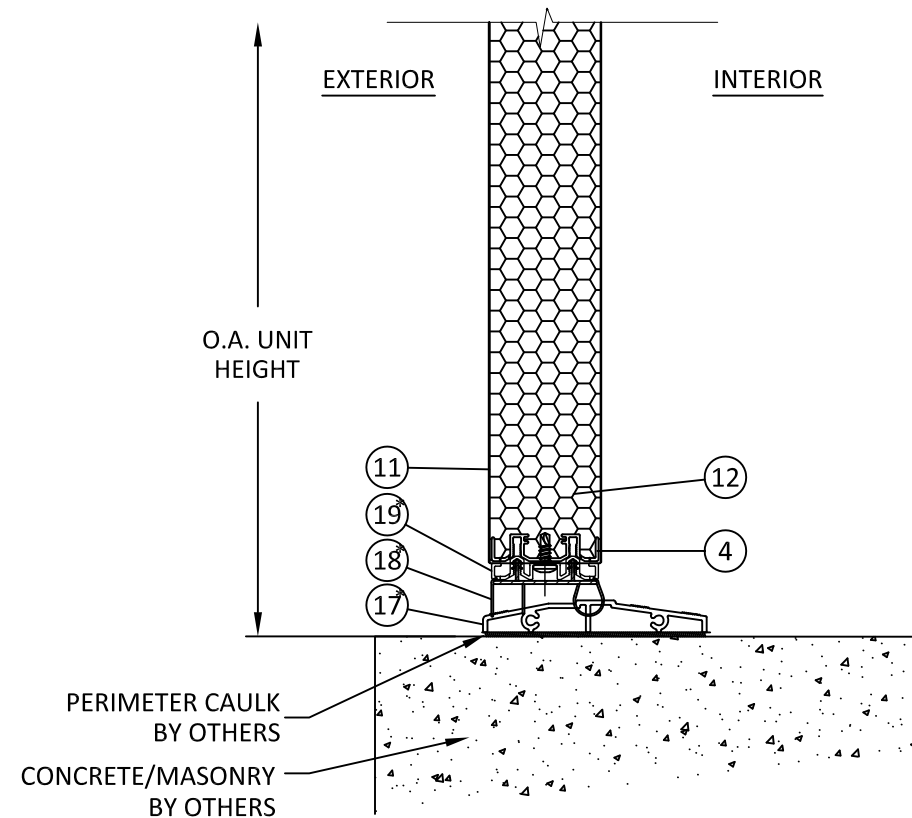


**C**  
**3** VERTICAL SECTION  
HEAD - 2X WOOD FRAME

NOTE:  
\* COMPONENTS ARE OPTIONAL.



**A**  
**3** VERTICAL SECTION  
SILL - CONCRETE/MASONRY

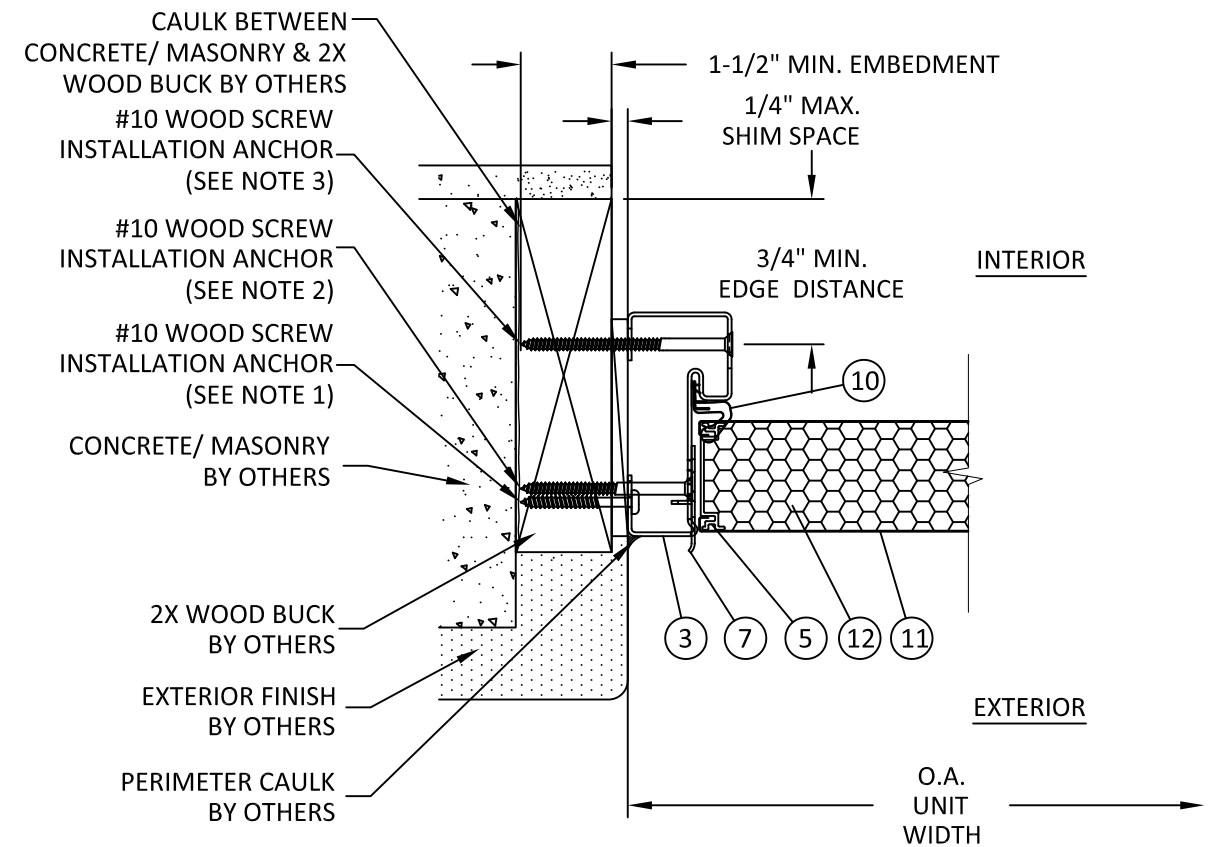


**A1**  
**3** VERTICAL SECTION  
SILL - ADA THRESHOLD (OPTIONAL)

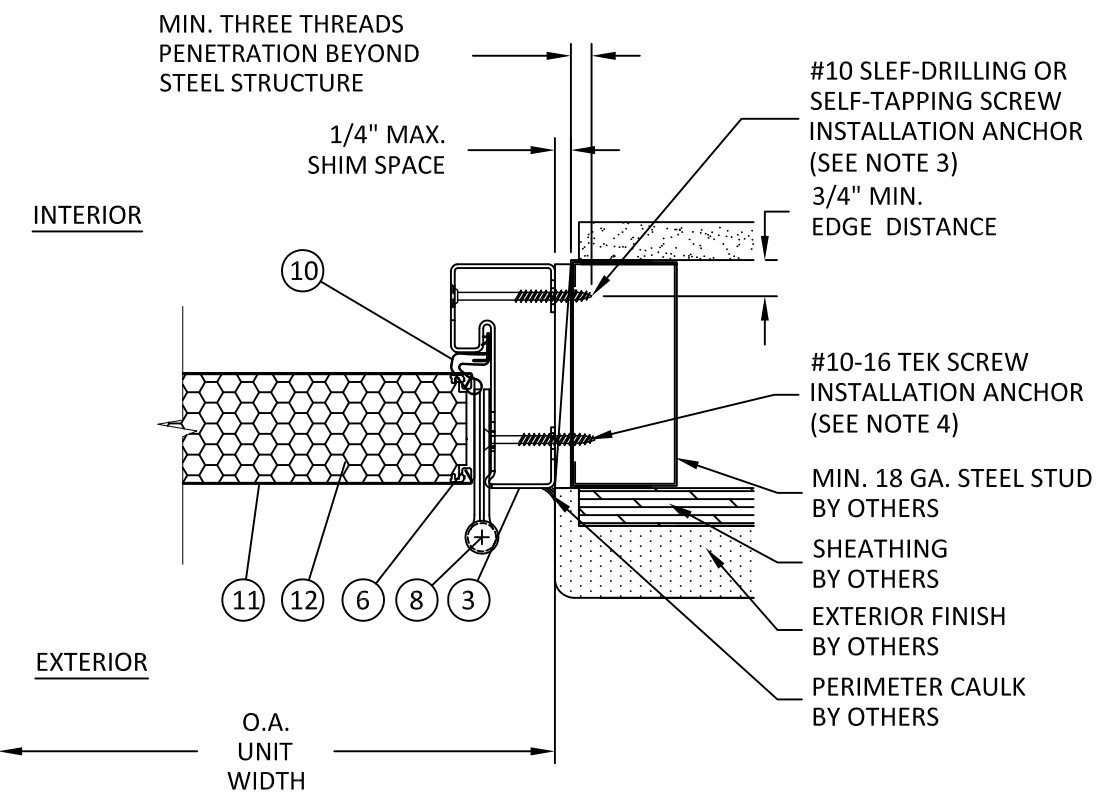
s:\projects\plyco corp\tli-19-1128 - tli submittal - series 20ev and 95ev gld and opa doors\dws\pco037\pco037.dwg 3/16/2020 9:31 AM



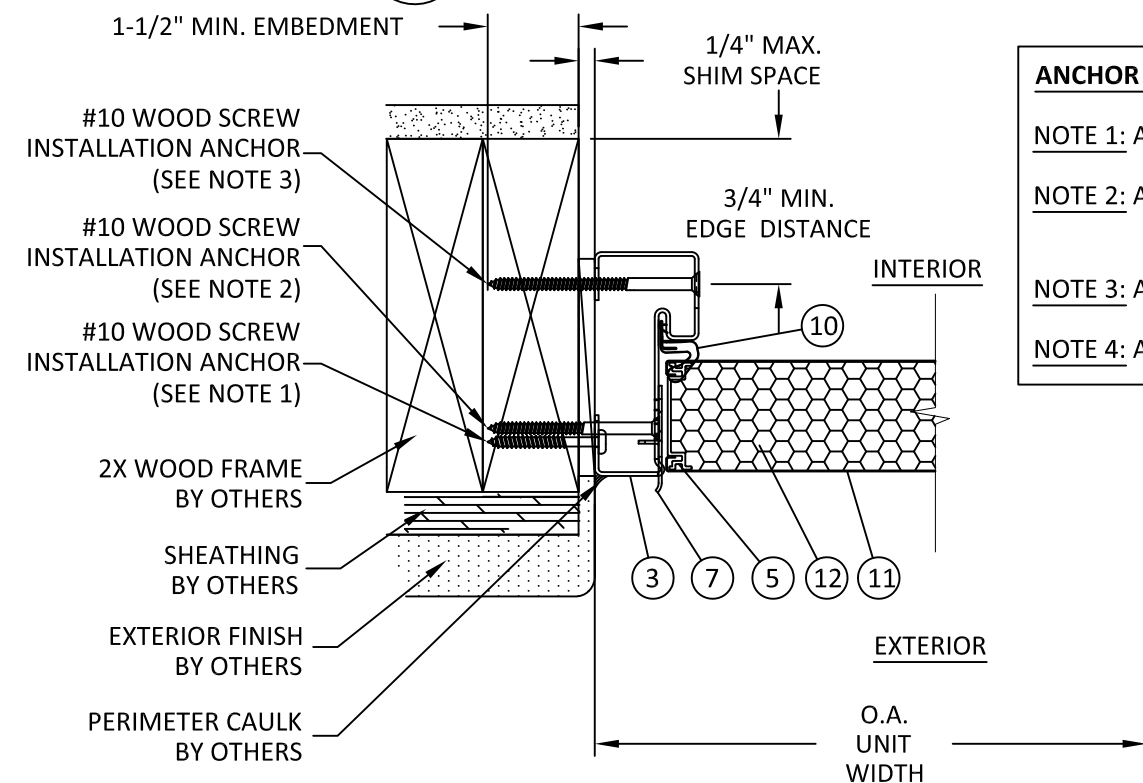
TITLE: SERIES 95EV FLUSH STEEL OUTSWING DOOR (NON-IMPACT)  
 HORIZONTAL SECTIONS  
 PREPARED BY: BUILDING DROPS, INC.  
 398 E. DANIA BEACH BLVD., STE. 338  
 DANIA BEACH, FL 33004  
 PH: (954) 399-8478  
 FAX: (954) 744-4738  
 WEB: www.buildingdrops.com



**D**  
**4**  
**HORIZONTAL SECTION**  
 JAMB - 2X WOOD BUCK, TYP.

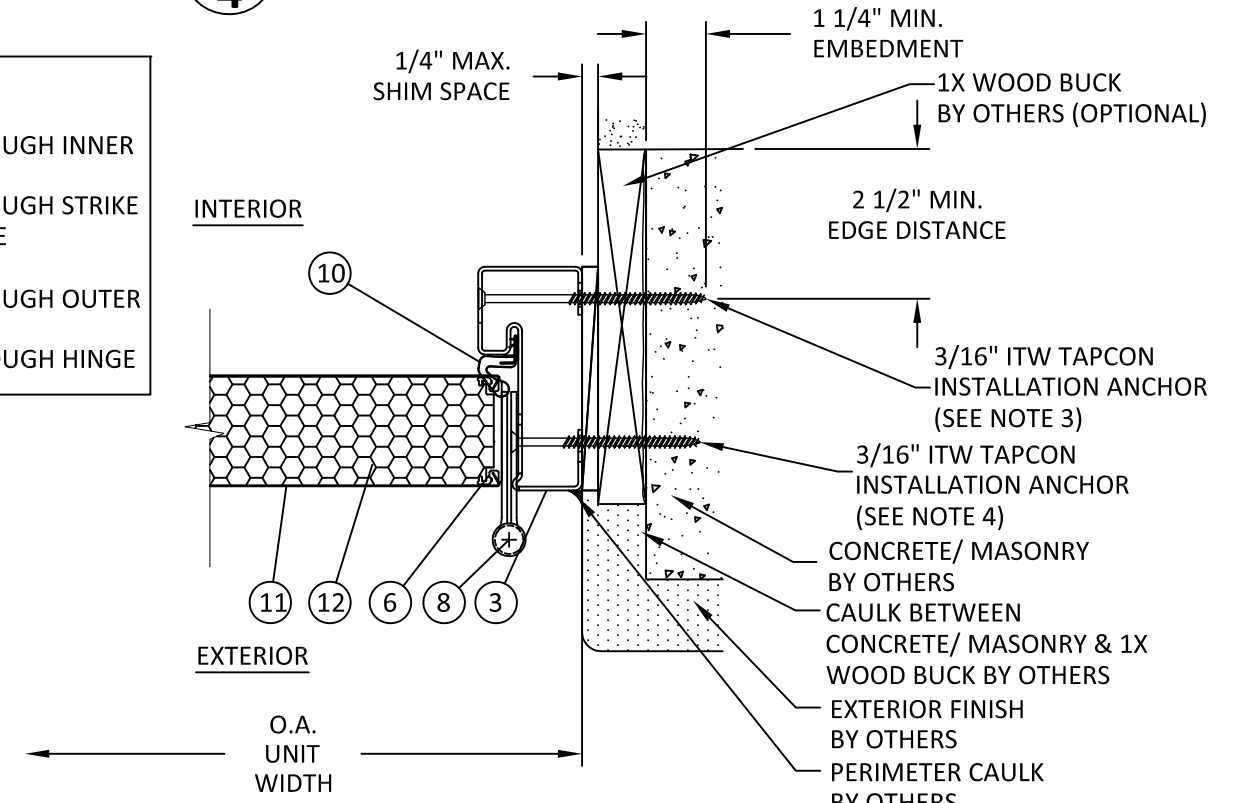


**E**  
**4**  
**HORIZONTAL SECTION**  
 JAMB - STEEL STUD, TYP.



**F**  
**4**  
**HORIZONTAL SECTION**  
 JAMB - 2X WOOD FRAME, TYP.

**ANCHOR NOTES:**  
 NOTE 1: ANCHOR THROUGH INNER FRAME  
 NOTE 2: ANCHOR THROUGH STRIKE PLATE (WHERE APPLICABLE)  
 NOTE 3: ANCHOR THROUGH OUTER FRAME  
 NOTE 4: ANCHOR THROUGH HINGE



**G**  
**4**  
**HORIZONTAL SECTION**  
 JAMB - MASONRY/CONCRETE, TYP.

REMARKS	BY	DATE

THE INSTALLATION DETAILS DESCRIBED HEREIN ARE GENERIC AND MAY NOT REFLECT ACTUAL CONDITIONS FOR A SPECIFIC SITE. IF SITE CONDITIONS CAUSE INSTALLATION TO DEVIATE FROM THE REQUIREMENTS DETAILED HEREIN, A LICENSED ENGINEER OR ARCHITECT SHALL PREPARE SITE SPECIFIC DOCUMENTS FOR USE WITH THIS DOCUMENT.



HERMES F. NORERO, P.E.  
 TEXAS P.E. No. 118471  
 BUILDING DROPS, INC  
 398 E. DANIA BEACH BLVD., # 338  
 DANIA BEACH, FL 33004  
 TBPE FIRM No. 13734

DATE:	02.13.20	
DWG. BY:	MS	CHK. BY: HFN
SCALE:	NTS	
DWG. #:	PCO037	
SHEET:	4	

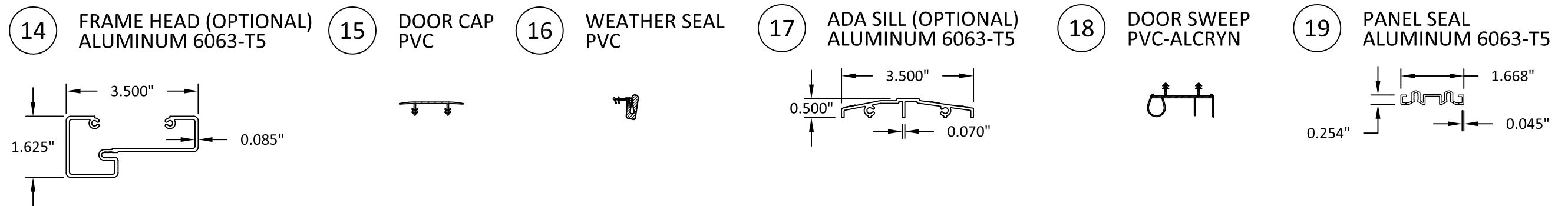
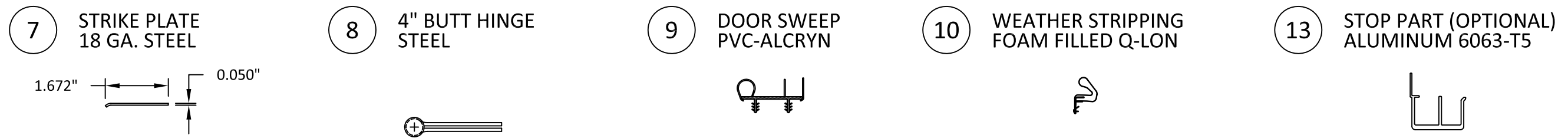
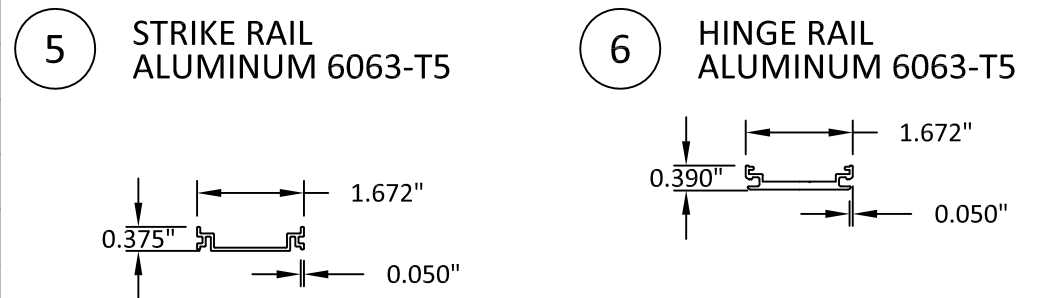
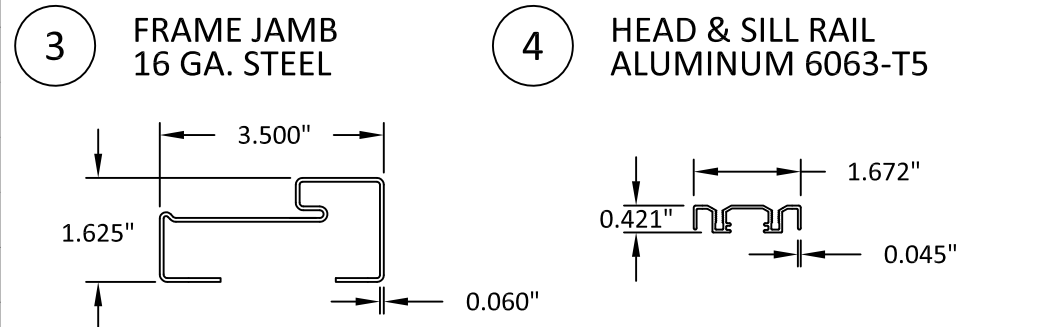
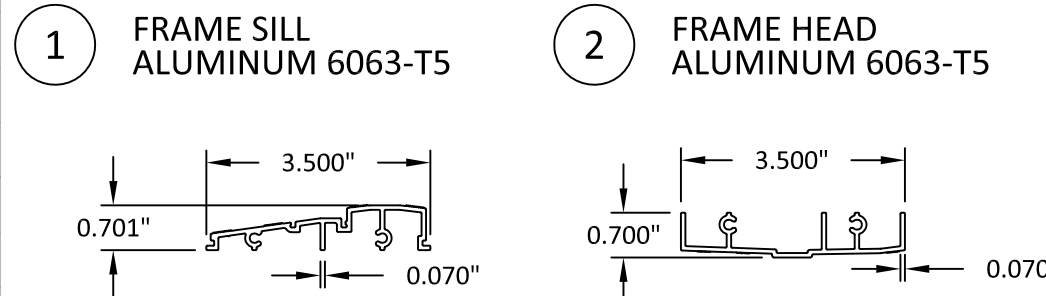
3/16/2020 9:31 AM

s:\projects\plyco corp\tli-19-1128 - tli submittal - series 20ev and 95ev gld and opa doors\dwgs\pco037\pco037.dwg

## BILL OF MATERIALS

ITEM NO.	DESCRIPTION	PARTS NUMBERS	MATERIAL	MANUFACTURER
1	FRAME SILL	1647	6063-T5	MODERN DOOR
2	FRAME HEAD	1554	6063-T5	MODERN DOOR
3	FRAME JAMB	1539	STEEL	MODERN DOOR
4	HEAD & SILL RAIL	1838-1A	6063-T5	MODERN DOOR
5	STRIKE RAIL	1839	6063-T5	MODERN DOOR
6	HINGE RAIL	1840-B	6063-T5	MODERN DOOR
7	STRIKE PLATE	---	STEEL	MODERN DOOR
8	4" BUTT HINGE	---	STEEL	MODERN DOOR
9	DOOR SWEEP	---	PVC-ALCRYN	MODERN DOOR
10	WEATHER STRIPPING	---	FOAM/Q-LON	SCHLAGE
11	DOOR SKIN	---	0.015" STEEL	MODERN DOOR
12	PANEL CORE	---	POLYURETHANE	MODERN DOOR
13	STOP PART (OPTIONAL)	---	6063-T5	MODERN DOOR
14	FRAME HEAD (OPTIONAL)	1880	6063-T5	MODERN DOOR
15	DOOR CAP	---	PVC	MODERN DOOR
16	WEATHER SEAL	9650	PVC	MODERN DOOR
17	ADA SILL (OPTIONAL)	1572	6063-T5	MODERN DOOR
18	DOOR SWEEP	1852	PVC-ALCRYN	MODERN DOOR
19	PANEL SEAL	1929	6063-T5	MODERN DOOR

**NOTE:** ALL EXPOSED STEEL COMPONENTS ARE GALVANIZED AND SHOP PRIMED.



# PLYCO

PLYCO CORPORATION  
P.O. BOX 386  
500 INDUSTRIAL RD.  
ELKHART LAKE, WI 53020  
PH: (920) 876-3611 FAX: (920) 876-3527

TITLE: SERIES 95EV FLUSH STEEL  
OUTSWING DOOR (NON-IMPACT)

COMPONENTS &  
BILL OF MATERIALS

PREPARED BY:  
**BUILDING DROPS, INC.**  
398 E. DANIA BEACH BLVD., STE. 338  
DANIA BEACH, FL 33004  
PH: (954) 399-8478  
FAX: (954) 744-4738  
WEB: www.buildingdrops.com

REMARKS	BY	DATE

THE INSTALLATION DETAILS DESCRIBED HEREIN ARE GENERIC AND MAY NOT REFLECT ACTUAL CONDITIONS FOR A SPECIFIC SITE. IF SITE CONDITIONS CAUSE INSTALLATION TO DEVIATE FROM THE REQUIREMENTS DETAILED HEREIN, A LICENSED ENGINEER OR ARCHITECT SHALL PREPARE SITE SPECIFIC DOCUMENTS FOR USE WITH THIS DOCUMENT.

HERMES F. NORERO, P.E.  
TEXAS P.E. No. 118471  
BUILDING DROPS, INC  
398 E. DANIA BEACH BLVD. # 338  
DANIA BEACH, FL 33004  
TBPE FIRM No. 13734

DATE: <b>02.13.20</b>	
DWG. BY: <b>MS</b>	CHK. BY: <b>HFN</b>
SCALE: <b>NTS</b>	
DWG. #: <b>PCO037</b>	
SHEET:	

3/16/2020 9:31 AM  
s:\projects\plyco corp\tdi-19-1128 -tdi submittal -series 20ev and 95ev glid and opa doors\dws\pco037\pco037.dwg