

# THERMA-TRU<sup>®</sup> DOORS

Fiber-Classic<sup>®</sup> & Smooth-Star<sup>®</sup>

## GLAZED FIBERGLASS DOUBLE DOOR w/ or w/out SIDELITES in a COMPOSITE FRAME INSWING/OUTSWING "IMPACT"

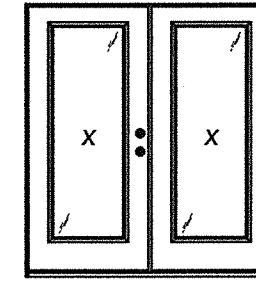
### EVALUATED FOR USE IN THE STATE OF TEXAS

The Fiberglass Door system described herein complies with the 2018 International Residential Code (IRC), Sections R301 & R609 and the 2018 International Building Code (IBC), Sections 1404.13, 1609, 1709.5, 2403 and 2404 subject to the following conditions:

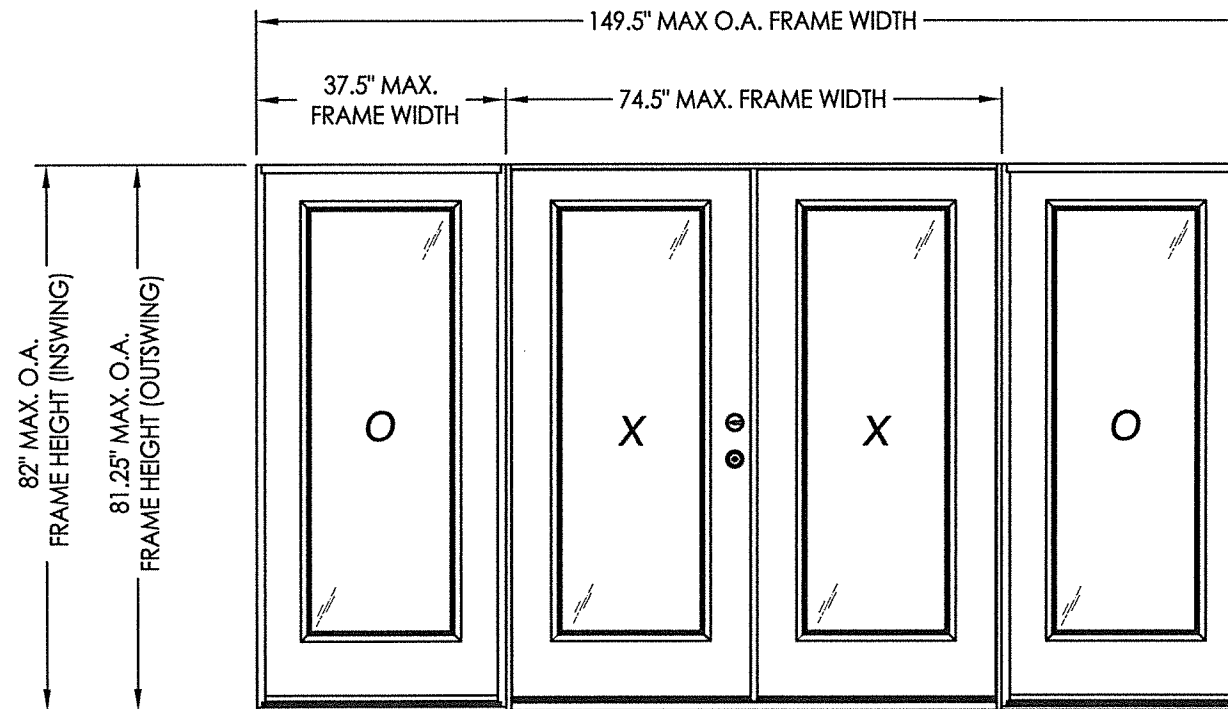
1. Anchors shall be as listed and spaced as shown in the details. Anchor embedment to base material shall be beyond wall dressing or stucco.
2. This system has been tested and evaluated as a large missile impact protective system for installation in areas that require wind borne debris protection. This product meets missile level "D" as defined in ASTM E 1996.
3. Allowable design pressure requirements must be equal to or less than the design pressure rating shown in the design pressure chart, sheet 1 of this drawing.
4. Conditions not covered by this drawing are subject to further engineering analysis.
5. Fiber-Classic and Smooth-Star Door & Sidelite panels require the use of "J" part numbers. These door panels must be stained or painted within six months of installation.

#### TABLE OF CONTENTS

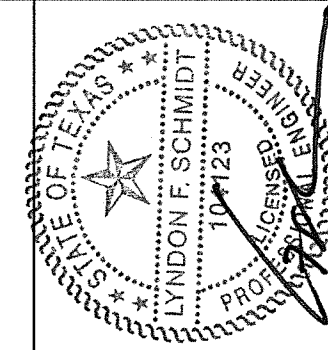
SHEET #	DESCRIPTION
1	Typical Elevations, Design Pressures & General Notes
2	Door Panel Details
3	Sidelite Panel Details
4	Elevations
5	Horizontal & Vertical Cross Sections (2X Buck)
6	Vertical Cross Sections (Thresholds)
7	Frame Anchoring
8	Hardware Details
9	Life Frame & Glazing Details
10	Bill of Materials & Components



XX



CONFIGURATION	DESIGN PRESSURE (PSF) INSWING		DESIGN PRESSURE (PSF) OUTSWING	
	POSITIVE	NEGATIVE	POSITIVE	NEGATIVE
XX, OXXO	+50.0	-55.0	+50.0	-50.0



Documents Prepared By: Lyndon F. Schmidt, P.E.  
TEXAS P.E. #104123

**RW** BUILDING CONSULTANTS, INC.  
P.O. Box 230 Valrico FL 33595  
Phone No.: 813.659.9197

TEXAS BOARD OF PROFESSIONAL ENGINEERS  
CERTIFICATE OF REGISTRATION # F-11852

PRODUCT: THERMA-TRU FIBERGLASS DOOR

PART OR ASSEMBLY: TYPICAL ELEVATION, DESIGN PRESSURES & GENERAL NOTES

NO.	DATE	BY	REVISIONS

DATE: 5/24/21

SCALE: N.T.S.

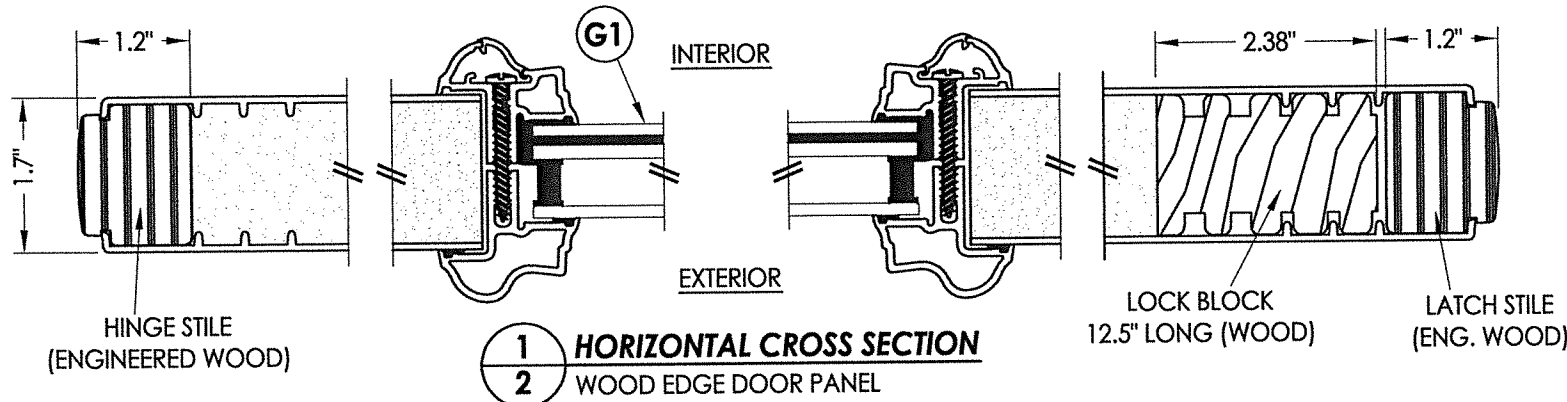
DWG. BY: RW

CHK. BY: LFS

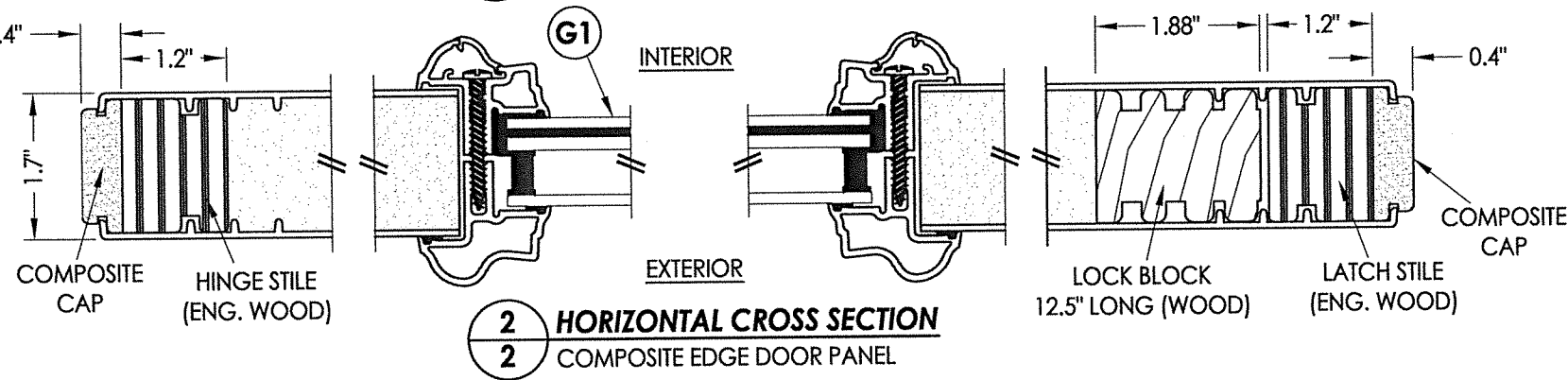
DRAWING NO.: TX-5208

SHEET 1 OF 10

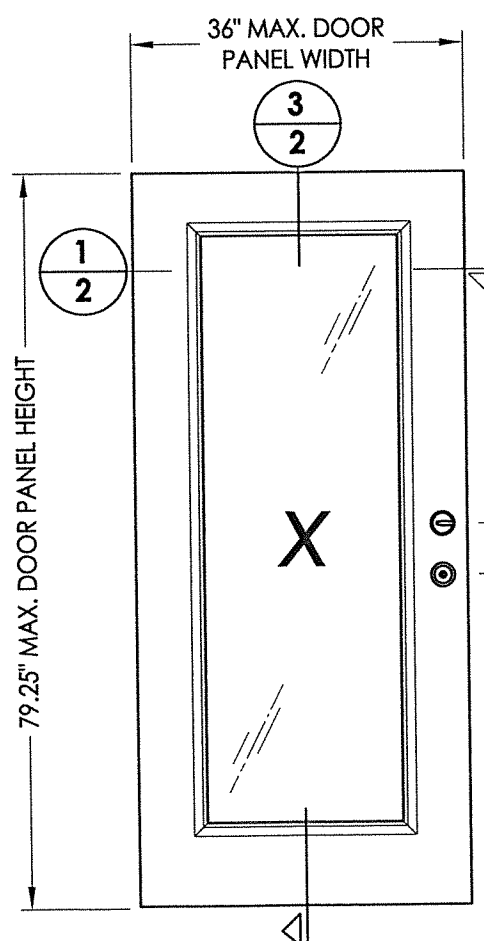
Z:\Clients\Therma Tru PERMANENT\B - Texas Dept of Ins\TDI - ID XXXX - 68 GLZ FG Imp Comp Jamb (TX 5206-5208)\C - Drawings\TX-5206-5208.dwg



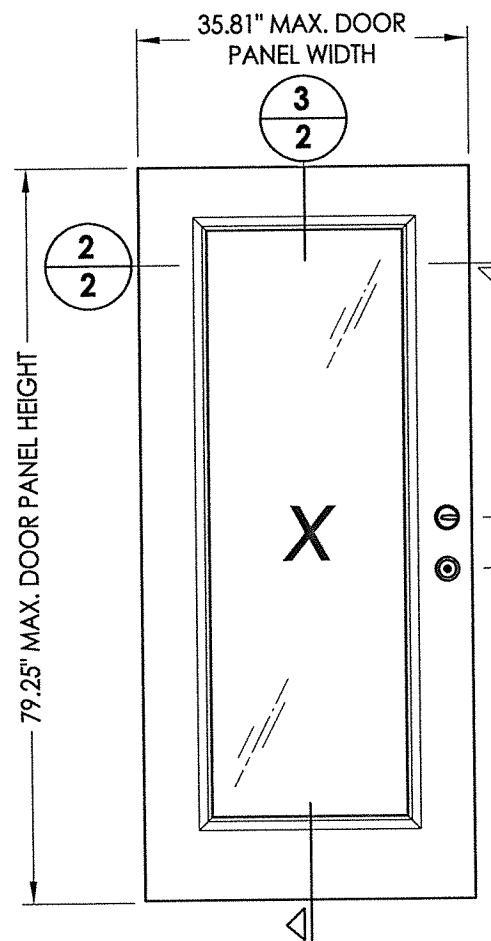
**1** HORIZONTAL CROSS SECTION  
**2** WOOD EDGE DOOR PANEL



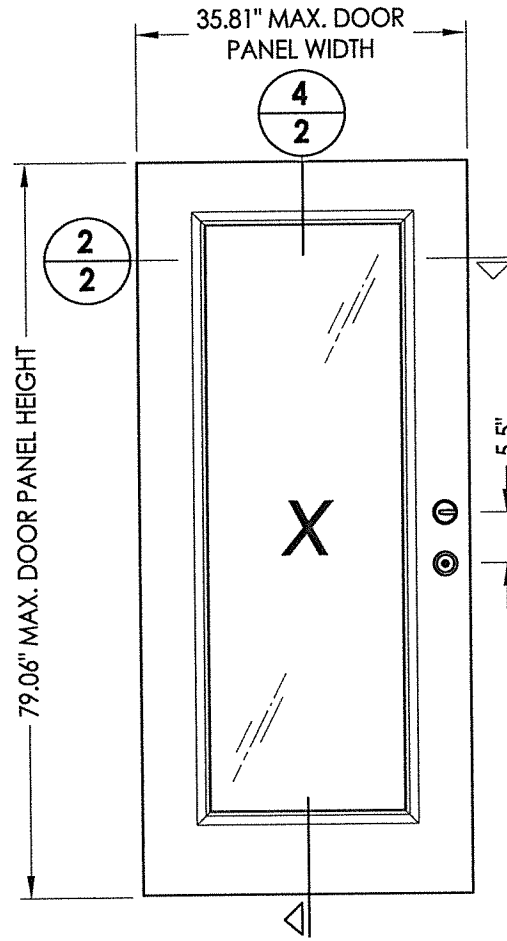
**2** HORIZONTAL CROSS SECTION  
**2** COMPOSITE EDGE DOOR PANEL



**40** FIBERGLASS DOOR PANEL  
BOOK DOOR

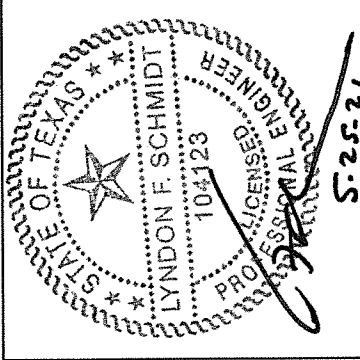


**41** FIBERGLASS DOOR PANEL  
HYBRID DOOR



**42** FIBERGLASS DOOR PANEL  
U1 DOOR

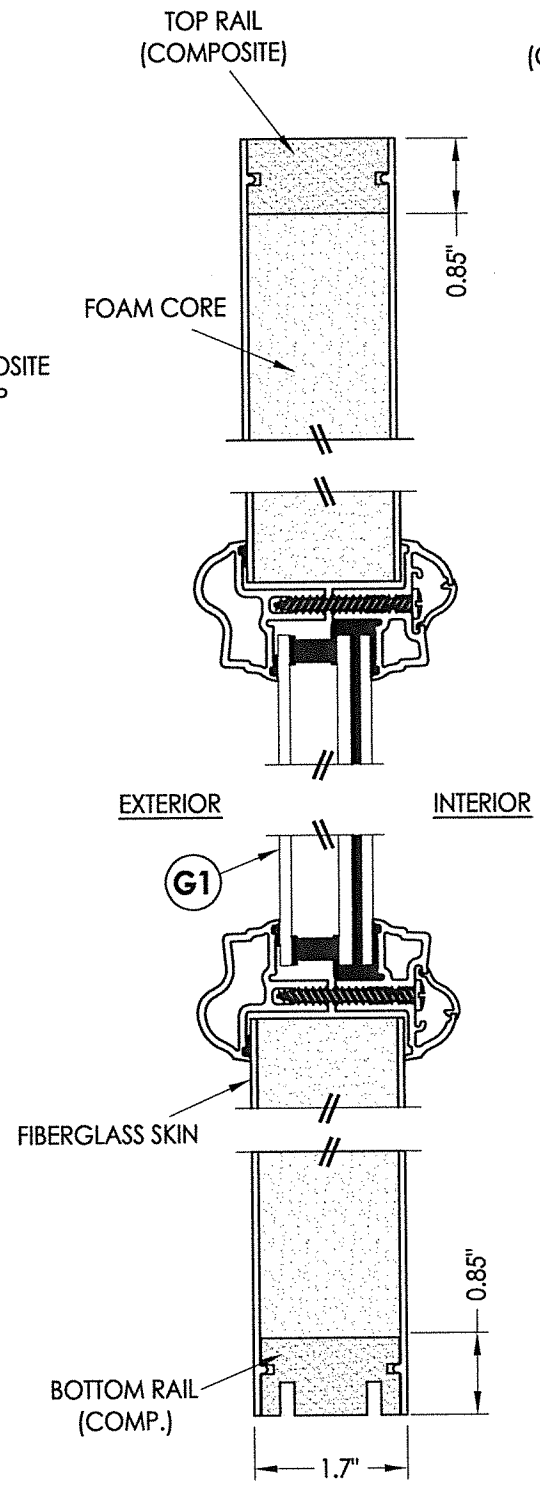
NOTE: BOOK, HYBRID & U1 DOORS  
MAY EACH BE FABRICATED AS WOOD  
OR COMPOSITE EDGE DOORS.



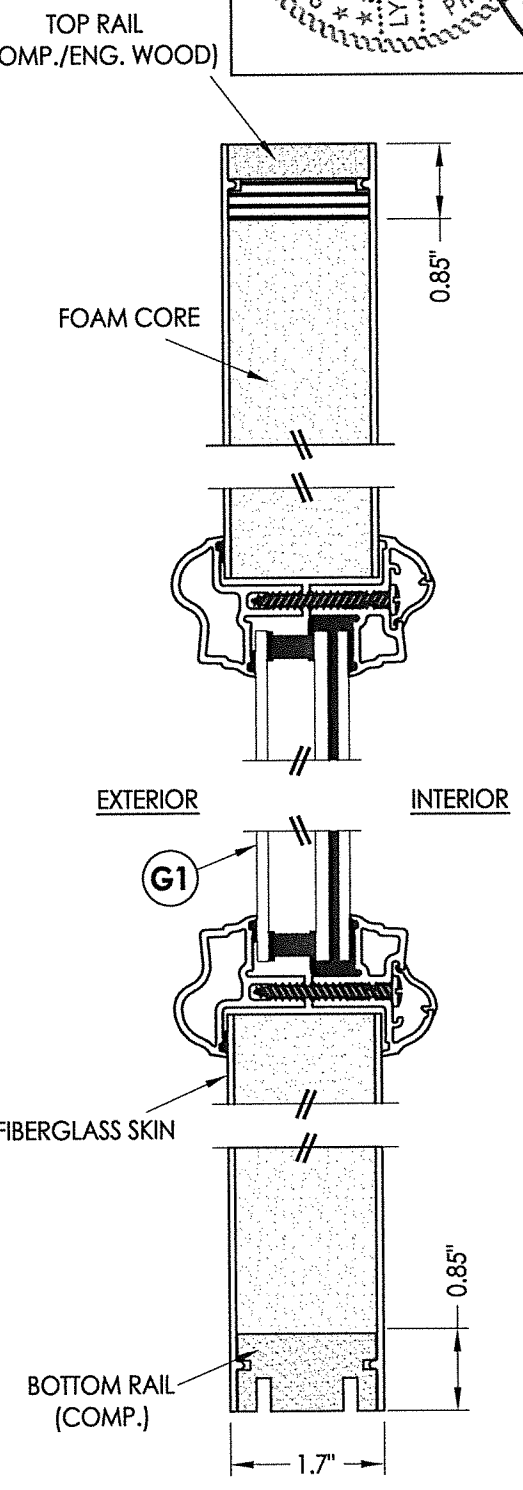
Documents Prepared By: Lyndon F. Schmidt, P.E.  
TEXAS P.E. #104123

**RW** BUILDING CONSULTANTS, INC.  
P.O. Box 230 Valrico FL 33595  
Phone No.: 813.659.9197

TEXAS BOARD OF PROFESSIONAL ENGINEERS  
CERTIFICATE OF REGISTRATION # F-11852



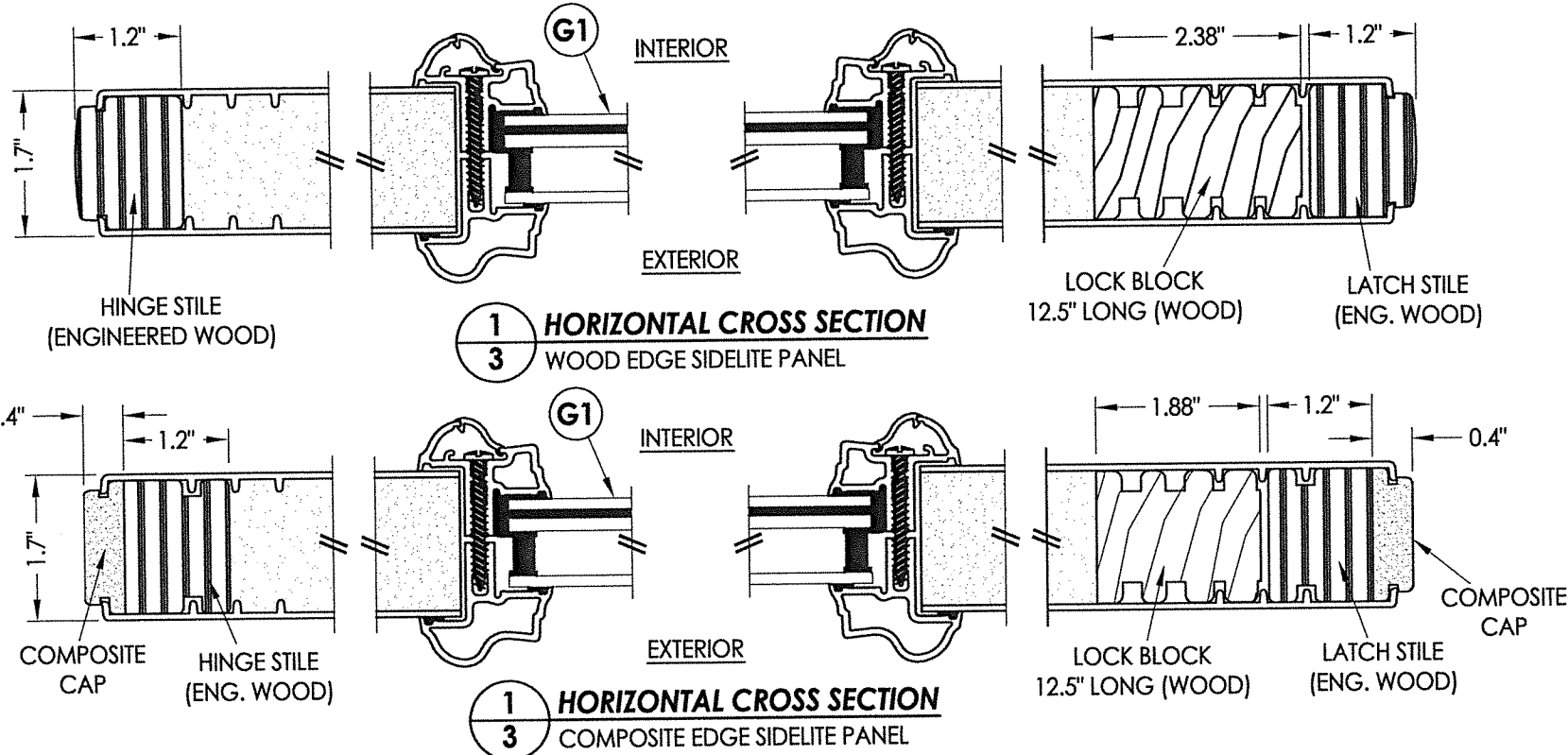
**3** VERTICAL CROSS SECTION  
**2** WOOD EDGE DOOR PANEL



**4** VERTICAL CROSS SECTION  
**2** COMPOSITE EDGE DOOR PANEL

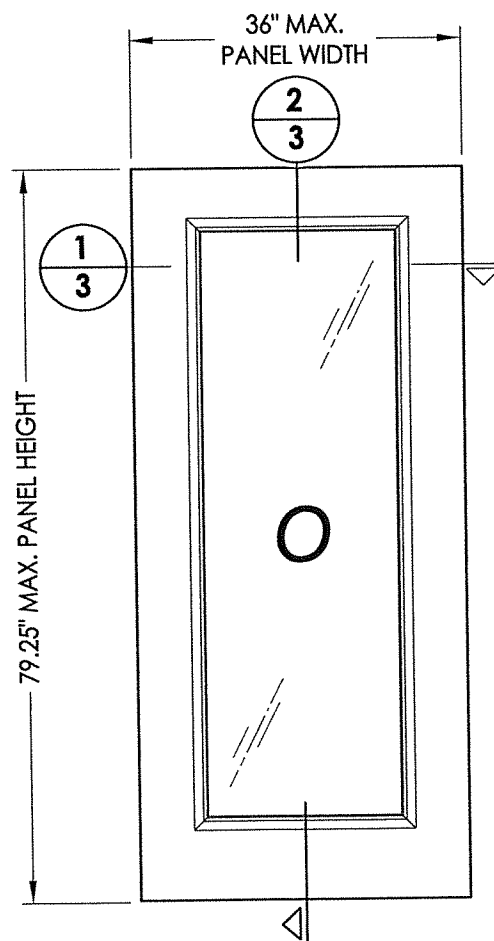
PRODUCT:	THERMA-TRU FIBERGLASS DOOR		
PART OR ASSEMBLY:	DOOR PANEL DETAILS		
NO.	DATE	BY	REVISIONS
DATE:	5/24/21		
SCALE:	N.T.S.		
DWG. BY:	RW		
CHK. BY:	LFS		
DRAWING NO.:	TX-5208		
SHEET	2	of	10

Z:\Clients\Therma Tru PERMANENT\B - Texas Dept of Ins\TDI - ID XXXX - 6'8 GLZ FG Imp Comp Jambs (TX 5206-5208)\C - Drawings\TX-5206-5208.dwg



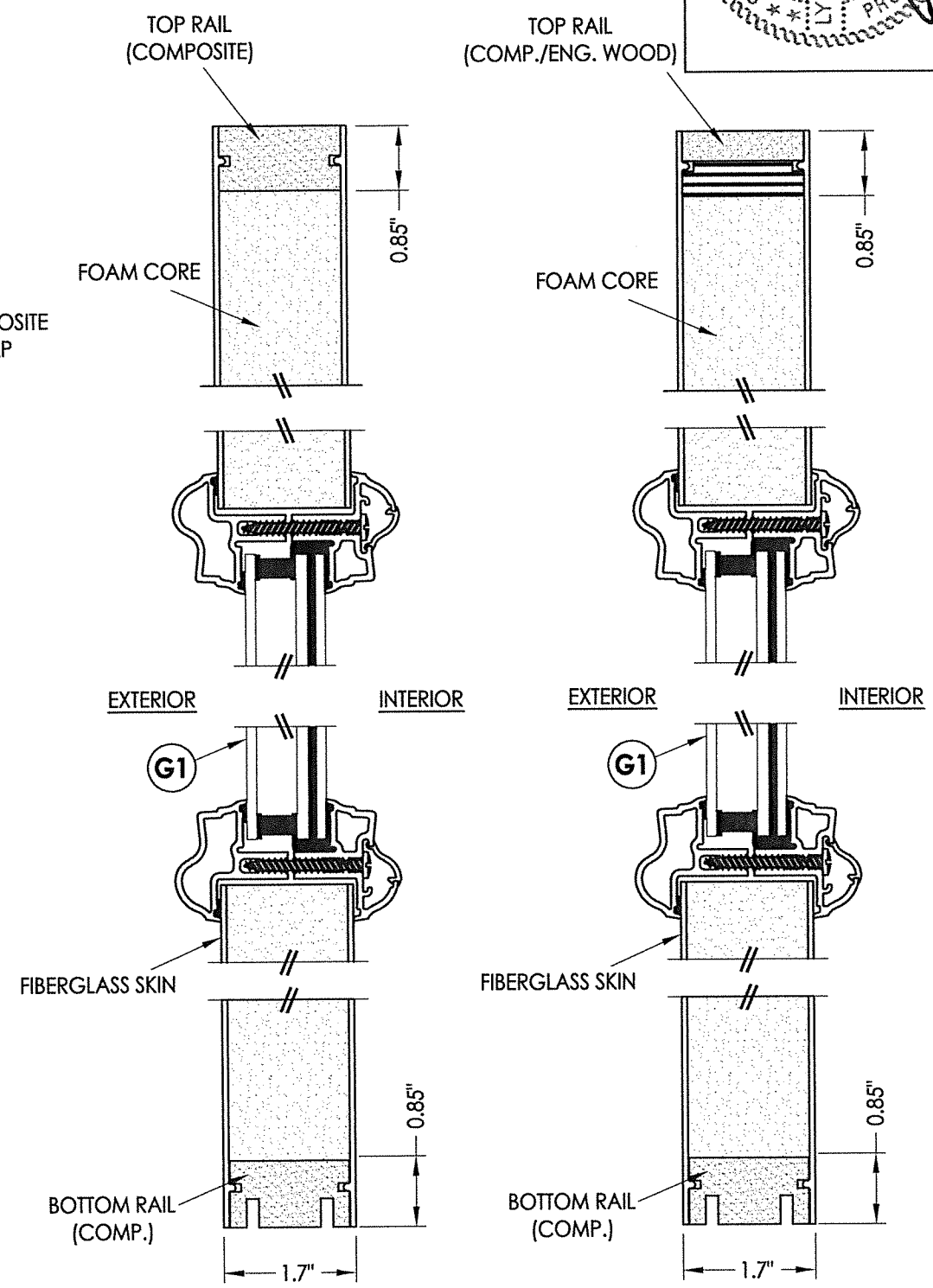
**1** **HORIZONTAL CROSS SECTION**  
**3** WOOD EDGE SIDELITE PANEL

**1** **HORIZONTAL CROSS SECTION**  
**3** COMPOSITE EDGE SIDELITE PANEL



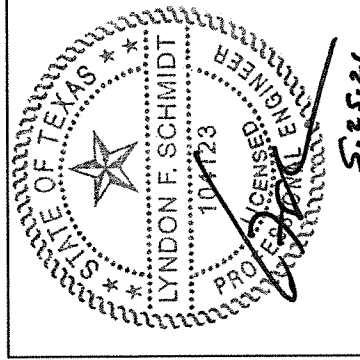
**50** **FIBERGLASS SIDELITE PANEL**  
WOOD OR COMPOSITE EDGE

FIBERGLASS SKIN: 0.073" MIN. THK.  
FOAM CORE: POLYURETHANE -1.9 PCF MIN.



**1** **VERTICAL CROSS SECTION**  
**3** WOOD EDGE SIDELITE PANEL

**2** **VERTICAL CROSS SECTION**  
**3** COMPOSITE EDGE SIDELITE PANEL



Documents Prepared By: Lyndon F. Schmidt, P.E.  
TEXAS P.E. #104123

**RW** BUILDING CONSULTANTS, INC.  
P.O. Box 230 Vairico FL 33595  
Phone No.: 813.659.9197

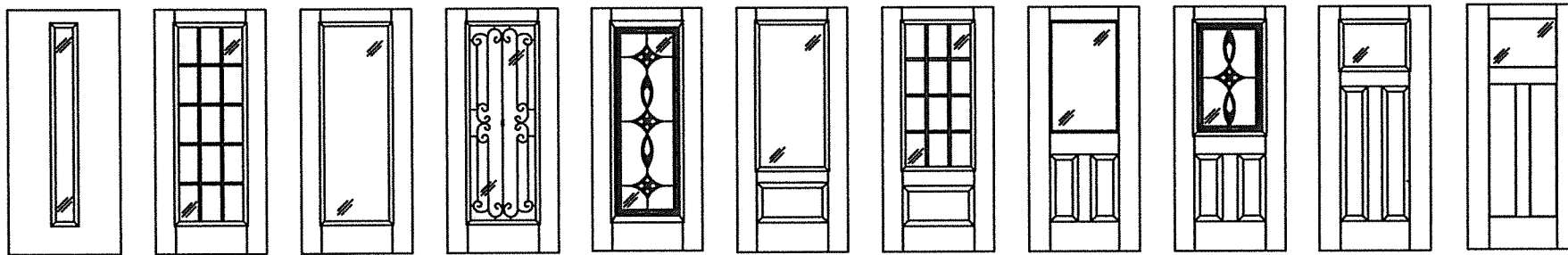
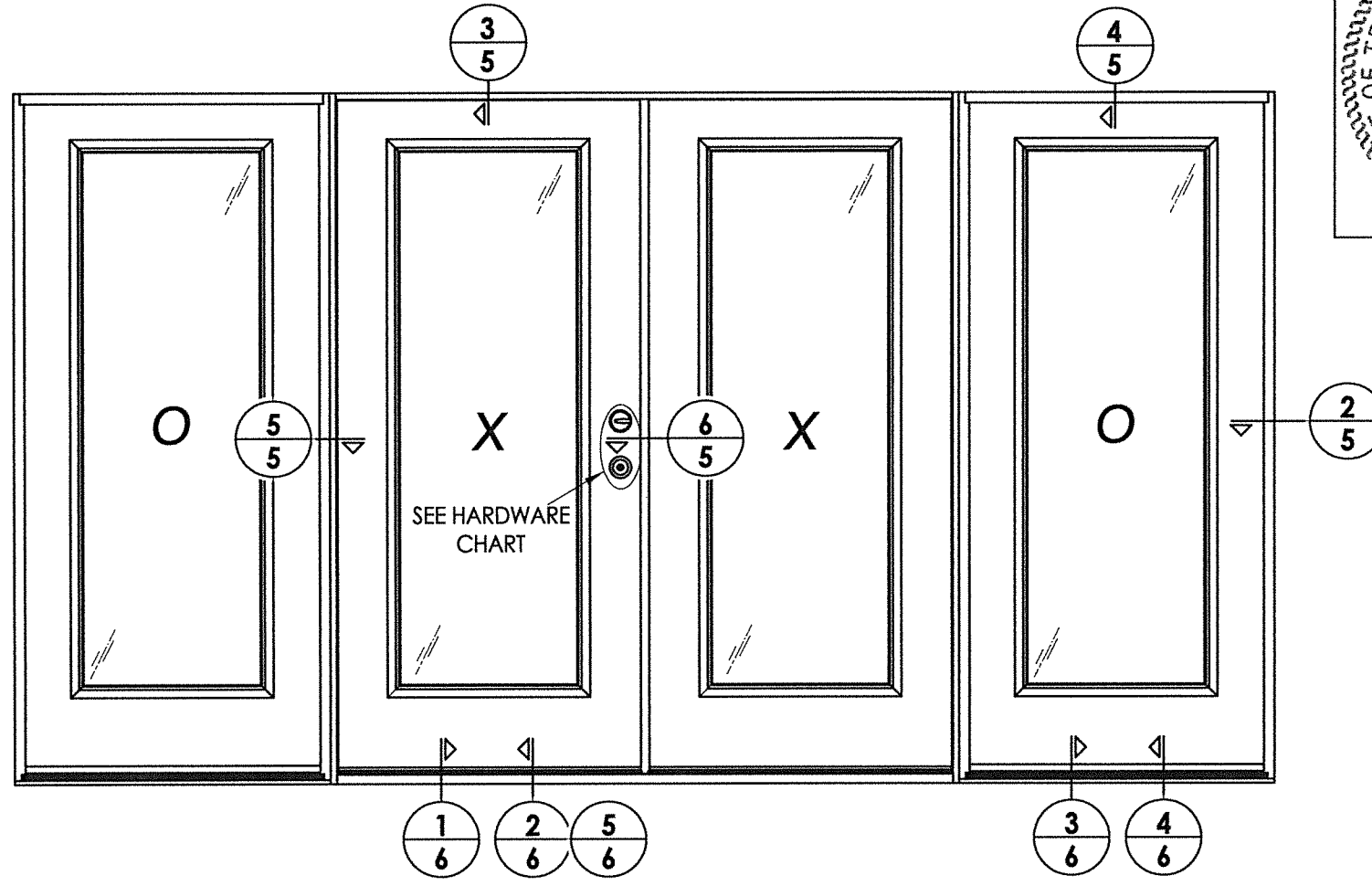
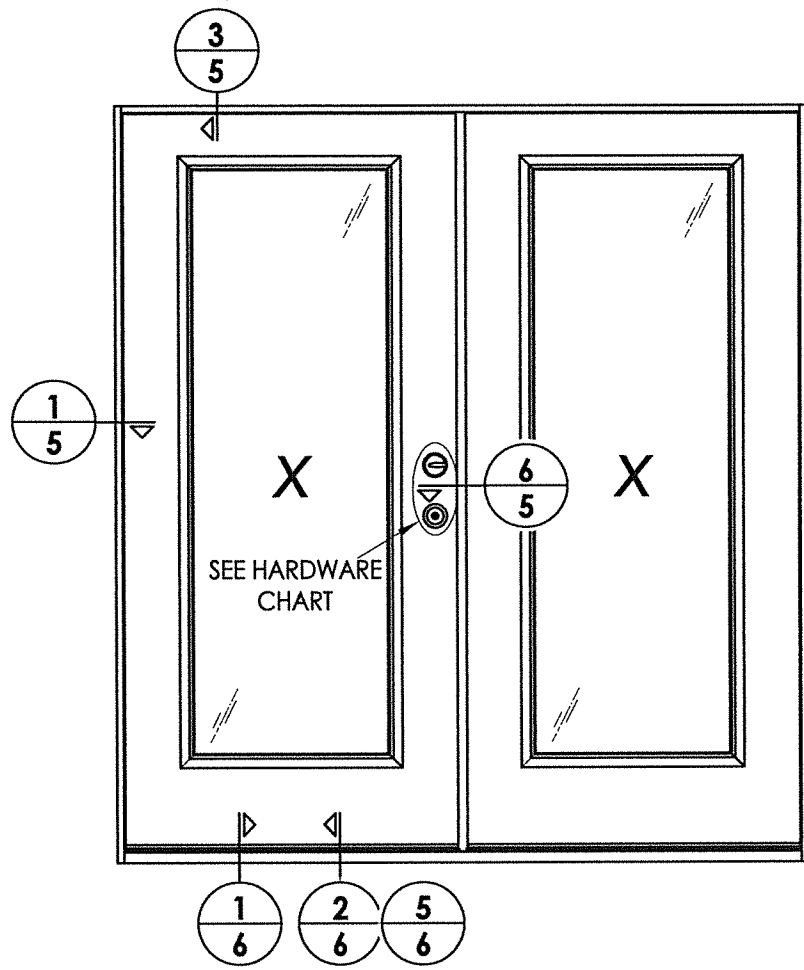
TEXAS BOARD OF PROFESSIONAL ENGINEERS  
CERTIFICATE OF REGISTRATION # F-11852

PRODUCT: THERMA-TRU  
FIBERGLASS DOOR

PART OR ASSEMBLY:  
SIDELITE PANEL DETAILS

NO.	DATE	BY	REVISIONS

DATE: 5/24/21  
SCALE: N.T.S.  
DWG. BY: RW  
CHK. BY: LFS  
DRAWING NO.: TX-5208  
SHEET 3 OF 10



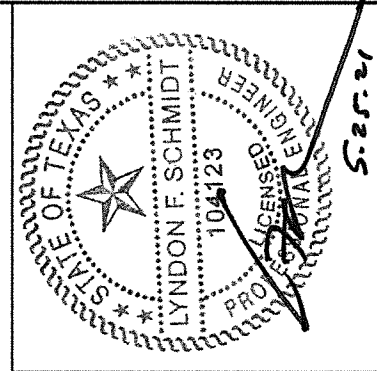
**Fiber-Classic/Smooth-Star Door Panel Options**

Products approved include all embossed and recessed panel doors.  
 Similar glazed panel configurations are allowed.  
 Panels shown are for illustration and are representative only.

HARDWARE TABLE	
MANUFACTURER	MODEL
SCHLAGE	KNOB: F51 DEADBOLT: B60
KWIKSET	KNOB: SIGNATURE SERIES DEADBOLT: SIGNATURE SERIES (980)

REVISIONS	
NO.	DATE

PRODUCT: THERMA-TRU FIBERGLASS DOOR  
 PART OR ASSEMBLY: ELEVATIONS

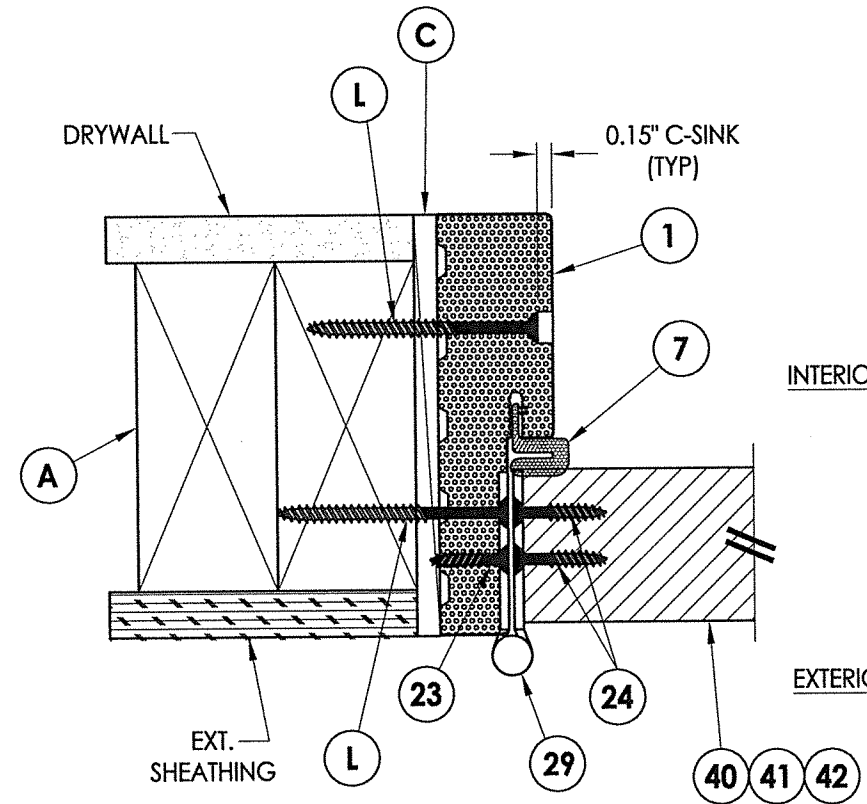


Documents Prepared By: Lyndon F. Schmidt, P.E.  
 TEXAS P.E. #104123

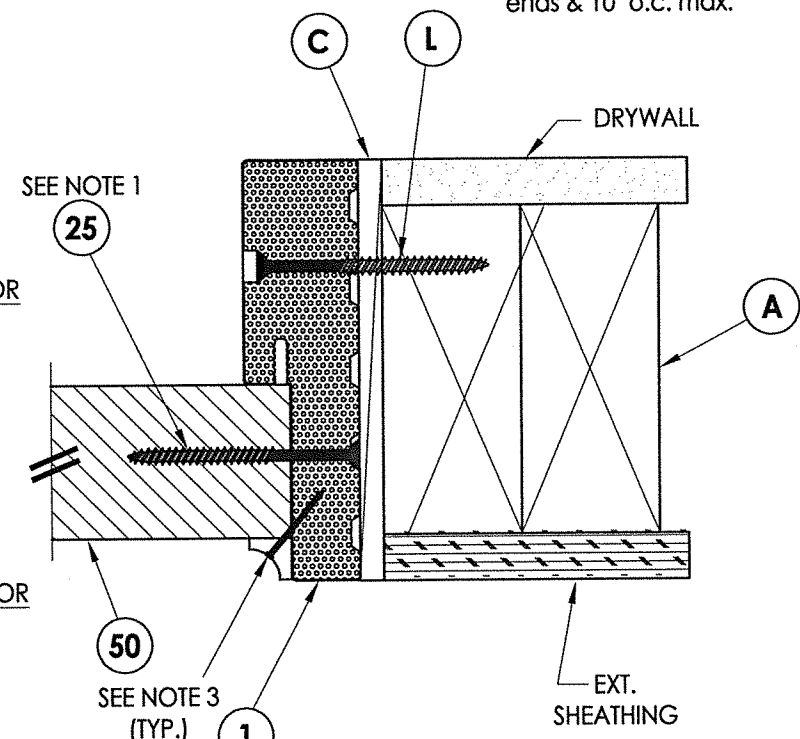
**RW** BUILDING CONSULTANTS, INC.  
 P.O. Box 230 Valrico FL 33595  
 Phone No.: 813.659.9197

TEXAS BOARD OF PROFESSIONAL ENGINEERS  
 CERTIFICATE OF REGISTRATION # F-11852

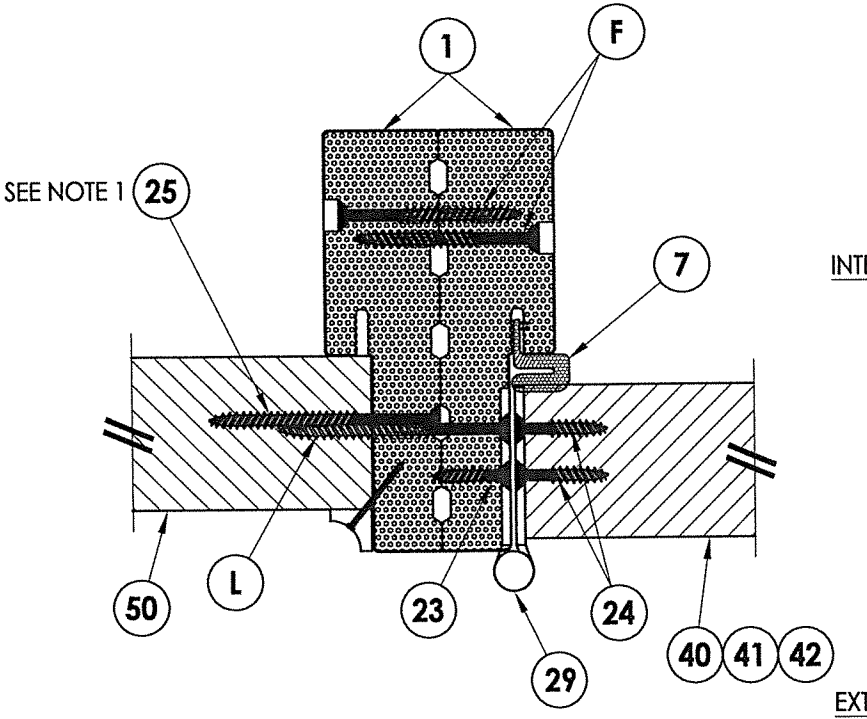
Z:\Clients\Therma Tru PERMANENT\B - Texas Dept of Ins\TDI - ID XXXX - 6'8 GLZ FG Imp Comp Jamb (TX 5206-5208)\C - Drawings\TX-5206-5208.dwg



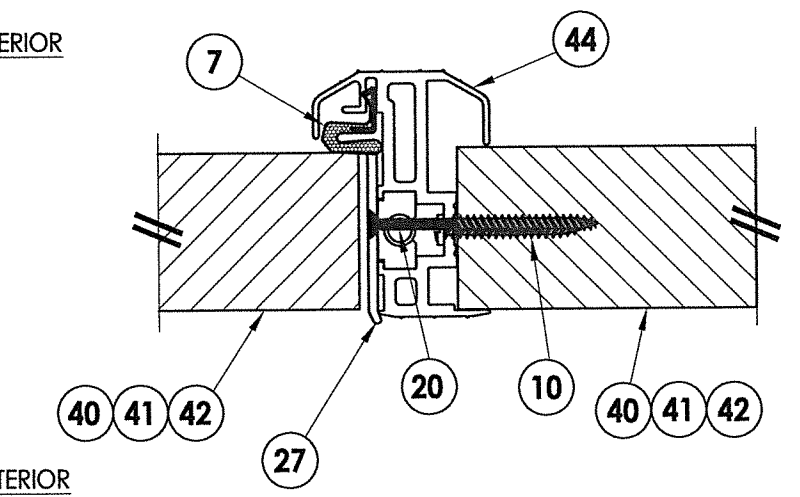
**1 HORIZONTAL CROSS SECTION**  
**5** Shown w/ 2X Buck  
 Outswing shown (Inswing similar)



**2 HORIZONTAL CROSS SECTION**  
**5** Shown w/ 2X Buck  
 Outswing shown (Inswing similar)

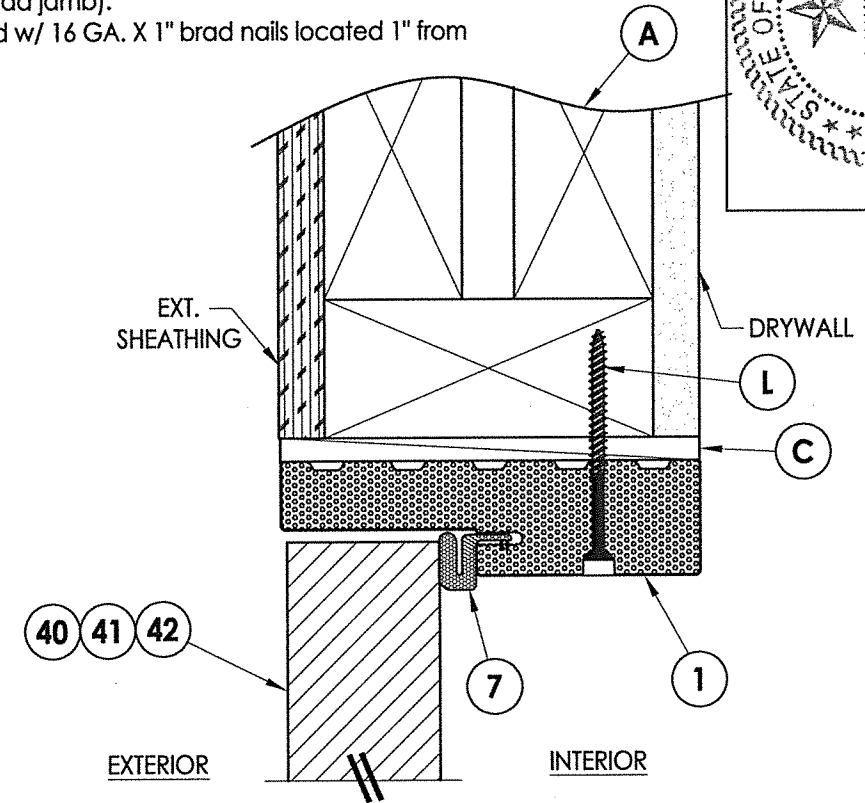


**5 HORIZONTAL CROSS SECTION**  
**5** Outswing shown (Inswing similar)

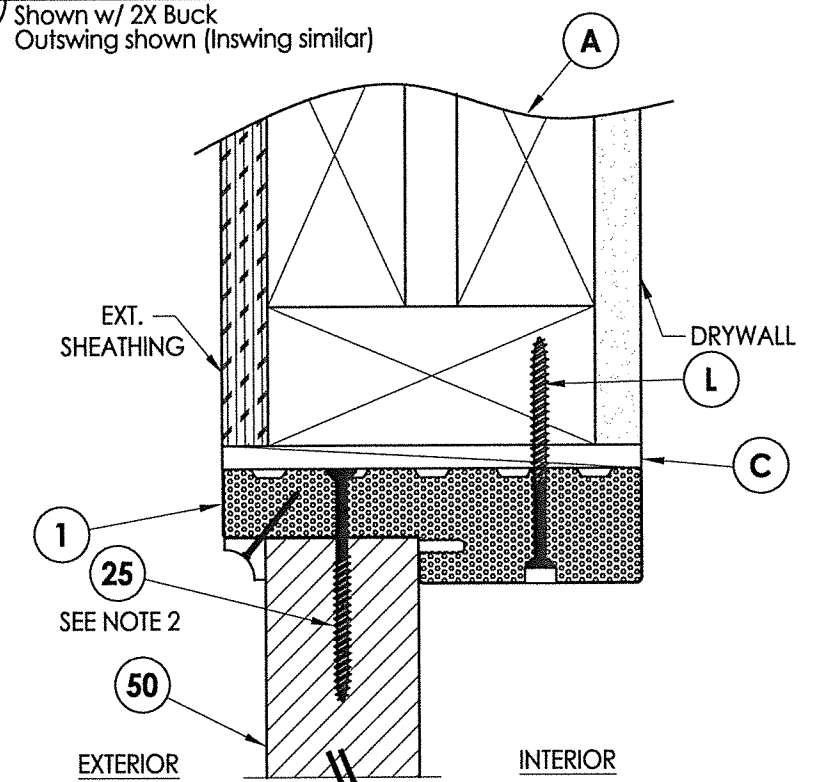


**6 HORIZONTAL CROSS SECTION**  
**5** Outswing shown (Inswing similar)

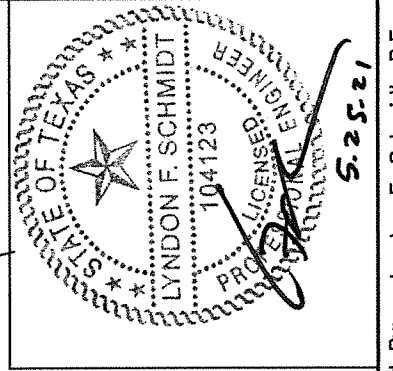
- Notes:
1. Sidelite assembly screws located 6" from each end and 5 more screws equally spaced between (7 screws total per side jamb).
  2. Sidelite assembly screws located 3" from each end and @ centerline (3 screws along head jamb).
  3. PVC/Wood Moulding secured w/ 16 GA. X 1" brad nails located 1" from ends & 10" o.c. max.



**3 VERTICAL CROSS SECTION**  
**5** Shown w/ 2X Buck  
 Outswing shown (Inswing similar)



**4 VERTICAL CROSS SECTION**  
**5** Shown w/ 2X Buck  
 Outswing shown (Inswing similar)



Documents Prepared By: Lyndon F. Schmidt, P.E.  
 TEXAS P.E. #104123

**RW** BUILDING CONSULTANTS, INC.  
 P.O. Box 230 Valrico FL 33595  
 Phone No.: 813.659.9197

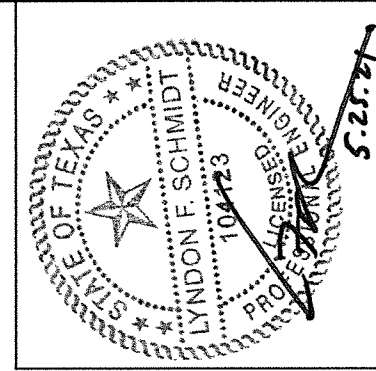
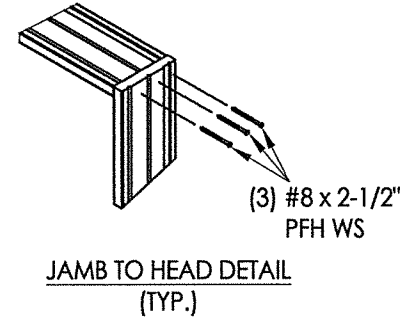
PRODUCT: THERMA-TRU FIBERGLASS DOOR  
 PART OR ASSEMBLY: HORIZONTAL & VERTICAL CROSS SECTIONS (2X BUCK)

NO.	DATE	BY

DATE: 5/24/21  
 SCALE: N.T.S.  
 DWG. BY: RW  
 CHK. BY: LFS  
 DRAWING NO.: TX-5208  
 SHEET 5 OF 10



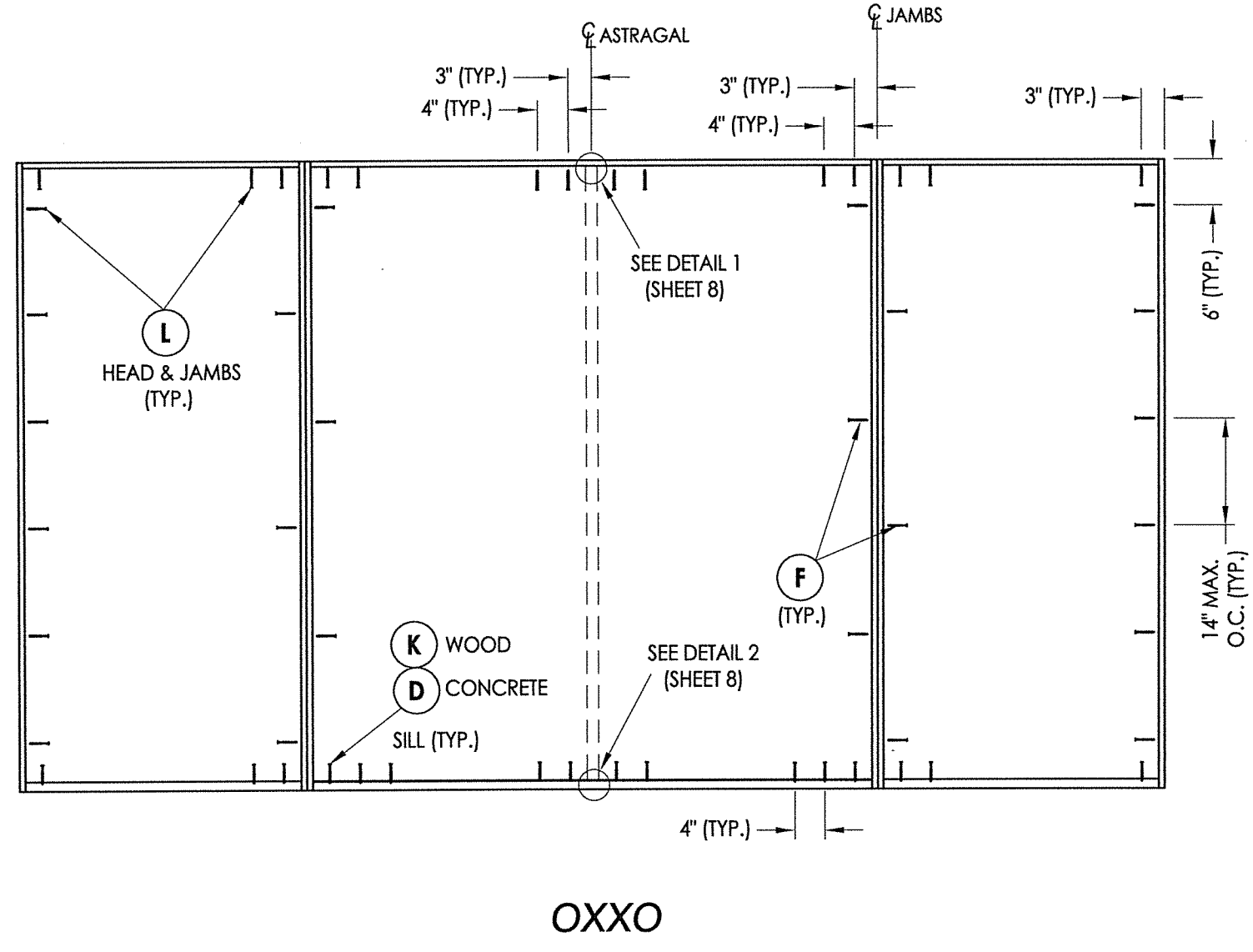
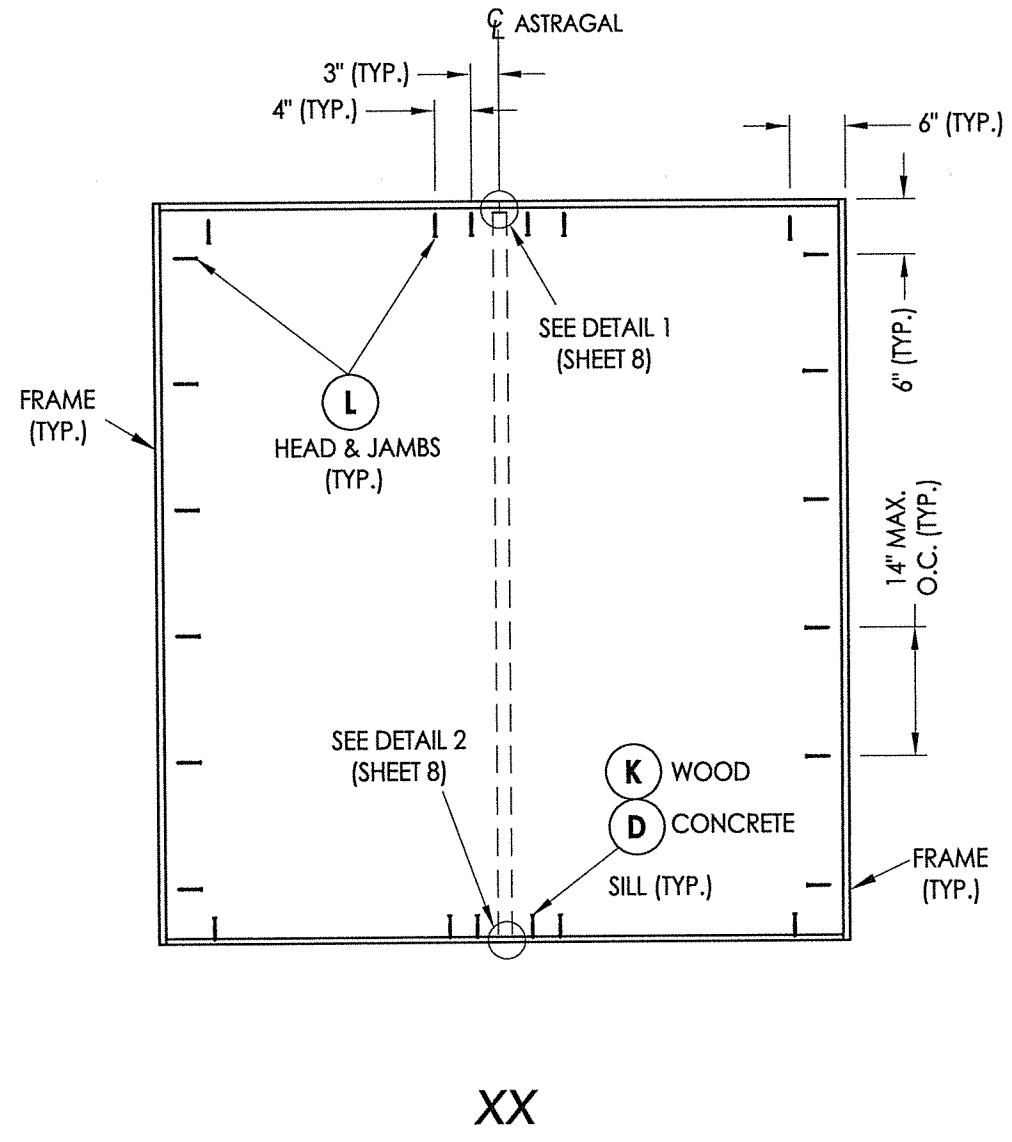
Z:\Clients\Therma Tru PERMANENT\B - Texas Dept of Ins\TDI - ID XXXX - 6'8 GLZ FG Imp Comp Jambs (TX 5206-5208)\C - Drawings\TX-5206-5208.dwg



Documents Prepared By: Lyndon F. Schmidt, P.E.  
TEXAS P.E. #104123

**RW** BUILDING CONSULTANTS, INC.  
P.O. Box 230 Vairico FL 33595  
Phone No.: 813.659.9197

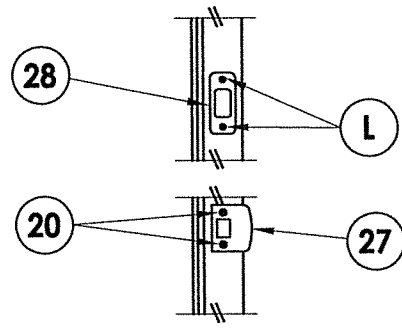
TEXAS BOARD OF PROFESSIONAL ENGINEERS  
CERTIFICATE OF REGISTRATION # F-11852



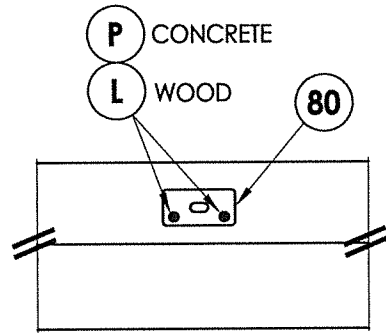
**FRAME ANCHORING**

PRODUCT: THERMA-TRU FIBERGLASS DOOR	
PART OR ASSEMBLY: FRAME ANCHORING	
NO.	DATE
BY	REVISIONS
DATE: 5/24/21	
SCALE: N.T.S.	
DWG. BY: RW	
CHK. BY: LFS	
DRAWING NO.: TX-5208	
SHEET 7 OF 10	

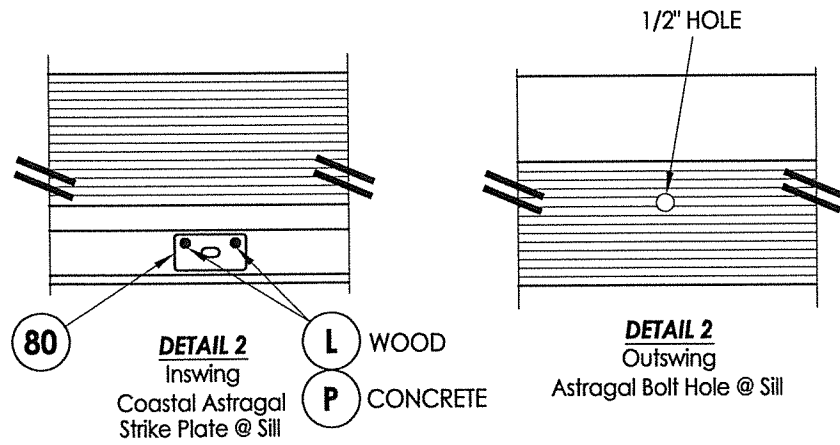
© 2021 R.W. BUILDING CONSULTANTS INC.



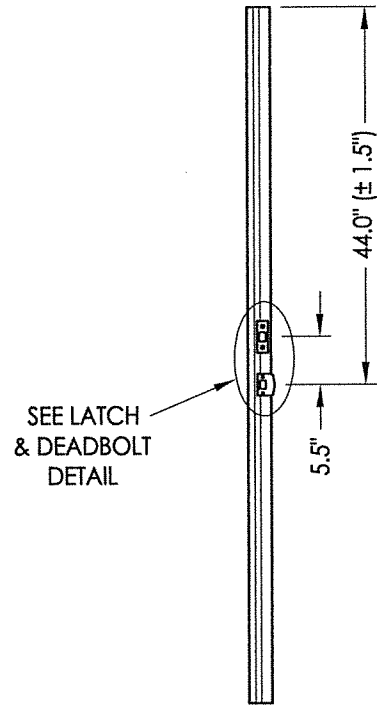
**LATCH & DEADBOLT DETAIL**  
Schlage / Kwikset



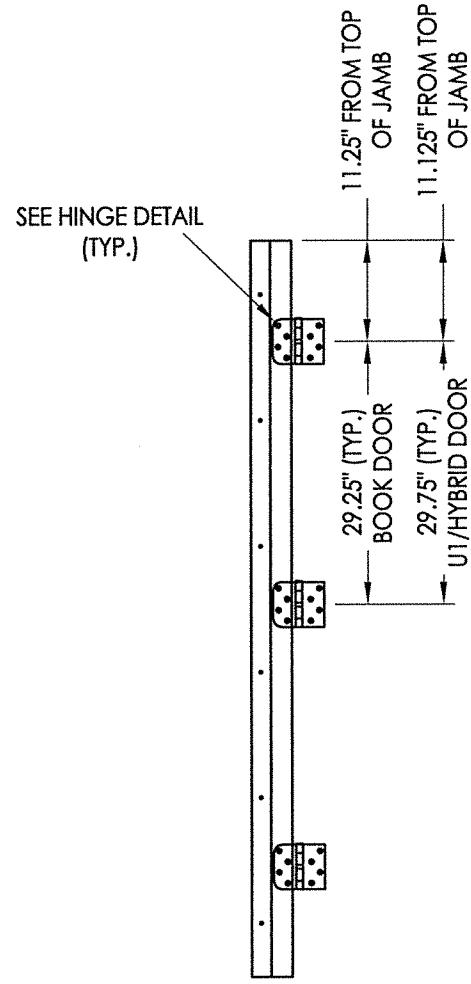
**DETAIL 1**  
Coastal Astragal Strike Plate @ Head



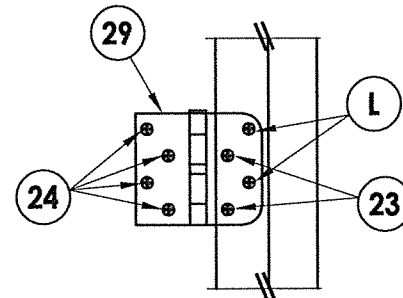
**LATCH & DEADBOLT STRIKE DETAILS**



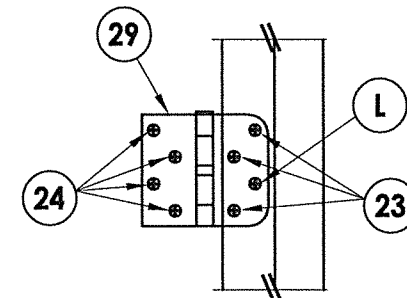
**ASTRAGAL**  
Latch and Deadbolt



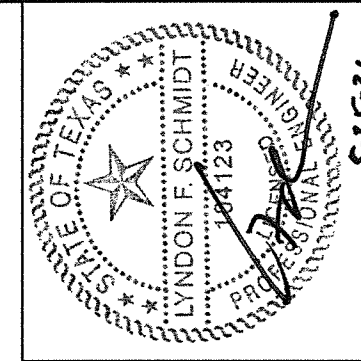
**HINGE JAMB**



**HINGE DETAIL**  
Inswing



**HINGE DETAIL**  
Outswing



Documents Prepared By: Lyndon F. Schmidt, P.E.  
TEXAS P.E. #104123

**RW** BUILDING CONSULTANTS, INC.  
P.O. Box 230 Valrico FL 33595  
Phone No.: 813.659.9197

TEXAS BOARD OF PROFESSIONAL ENGINEERS  
CERTIFICATE OF REGISTRATION # F-11852

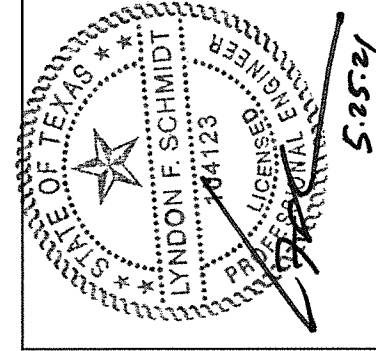
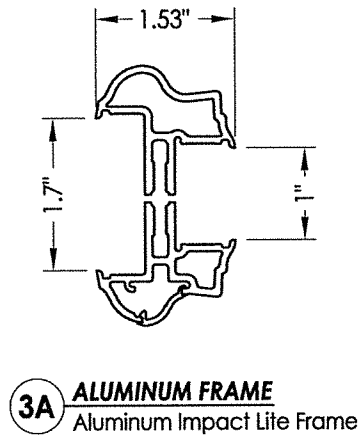
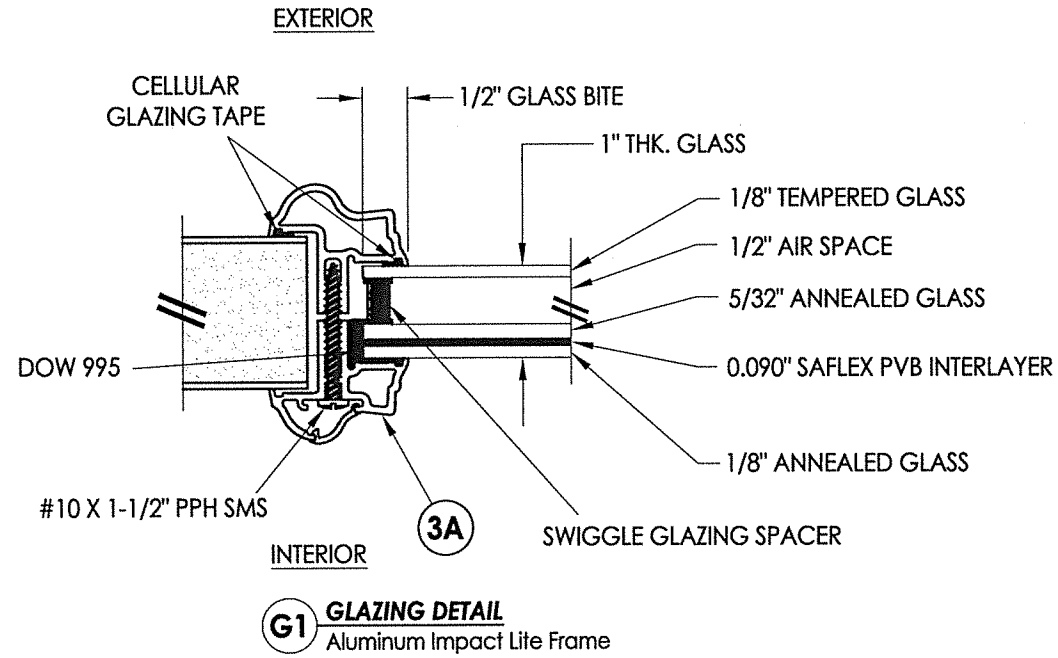
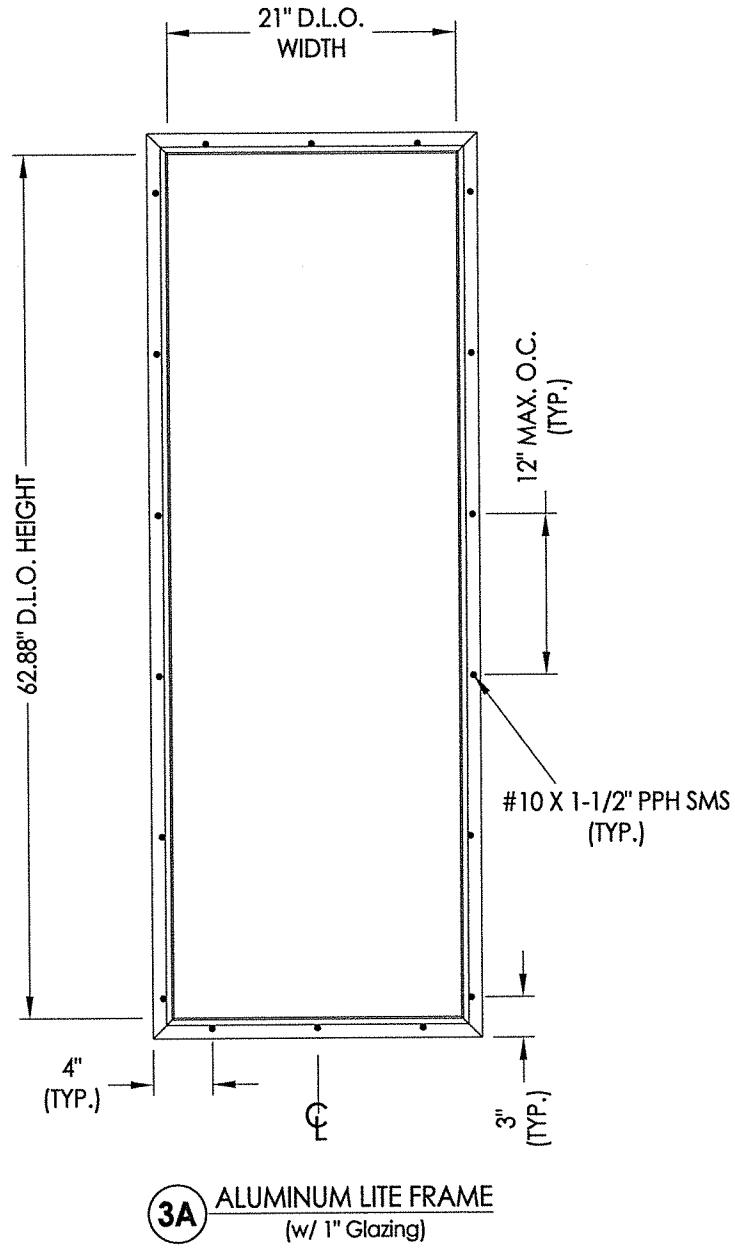
PRODUCT: THERMA-TRU  
FIBERGLASS DOOR

PART OR ASSEMBLY:  
HARDWARE DETAILS

NO.	DATE	REVISIONS	BY

DATE: 5/24/21  
SCALE: N.T.S.  
DWG. BY: RW  
CHK. BY: LFS  
DRAWING NO.: TX-5208  
SHEET 8 OF 10





Documents Prepared By: Lyndon F. Schmidt, P.E.  
TEXAS P.E. #104123

**RW** BUILDING CONSULTANTS, INC.  
P.O. Box 230 Vairico FL 33595  
Phone No.: 813.659.9197

TEXAS BOARD OF PROFESSIONAL ENGINEERS  
CERTIFICATE OF REGISTRATION # F-11852

PRODUCT: THERMA-TRU  
FIBERGLASS DOOR

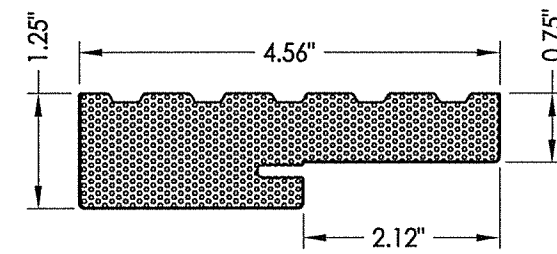
PART OR ASSEMBLY:  
LITE FRAME  
& GLAZING DETAILS

NO.	DATE	BY	REVISIONS

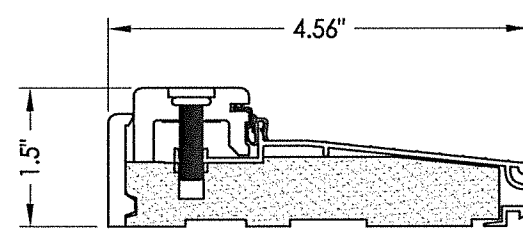
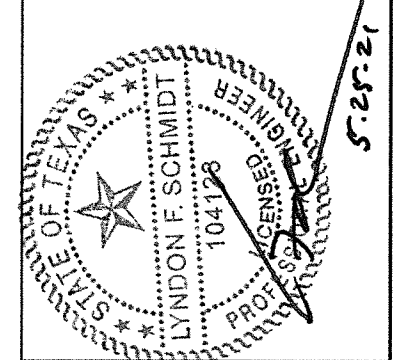
DATE: 5/24/21  
SCALE: N.T.S.  
DWG. BY: RW  
CHK. BY: LFS  
DRAWING NO.: TX-5208  
SHEET 9 of 10

Z:\Clients\Therma Tru PERMANENT\B - Texas Dept of Ins\TDI - ID XXXX - 6'8 GLZ FG Imp Comp Jambs (TX 5206-5208)\C - Drawings\TX-5206-5208.dwg

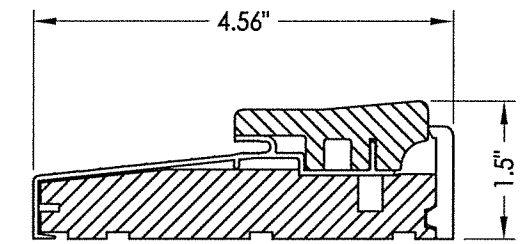
BILL OF MATERIALS		
ITEM #	DESCRIPTION	MATERIAL
A	2X FRAMING (SG >= 0.42)	WOOD
C	1/4" MAX. SHIM SPACE	-
D	1/4" PFH DeWALT OR ITW CONCRETE SCREW (1-3/4" MIN. EMBEDMENT)	STEEL
F	#10 X 2" PFH WOOD SCREW	STEEL
K	#10 PFH WOOD SCREW (1-3/4" MIN. EMBEDMENT)	STEEL
L	#10 X 2-1/2" PFH WOOD SCREW (1.15" MIN. EMBEDMENT)	STEEL
P	3/16" PFH ITW CONCRETE SCREW (1-3/4" MIN. EMBEDMENT)	STEEL
1	COMPOSITE JAMB	COMP
7	WEATHERSTRIP	FOAM
8	DOOR SWEEP	VINYL
9	SWEEP (USE w/ PUBLIC ACCESS THRESHOLD)	VINYL
10	#10 X 1-1/2" PPH SMS	STEEL
20	#8 X 2-1/2" PFH WOOD SCREW	STEEL
21	#12 X 1-1/2" PFH WOOD SCREW	STEEL
22	#8 X 3/4" PFH WOOD SCREW	STEEL
23	#9 X 3/4" PFH WOOD SCREW	STEEL
24	#9 X 1" PFH WOOD SCREW	STEEL
25	#9 X 2-1/2" PFH WOOD SCREW	STEEL
26	#8 X 5/8" PFH WOOD SCREW	STEEL
27	LATCH STRIKE PLATE	STEEL
28	DEADBOLT STRIKE PLATE	STEEL
28A	DEADBOLT SUB-STRIKE PLATE	STEEL
29	4" X 4" HINGE	STEEL
32	INSWING THRESHOLD	ALUM/COMP
33	OUTSWING THRESHOLD	ALUM/COMP
34	PUBLIC ACCESS THRESHOLD	ALUM
35	SIDELITE SPACER (INSWING)	VINYL
36	SIDELITE SPACER (OUTSWING)	VINYL
40	DOOR PANEL (BOOK)	-
41	DOOR PANEL (HYBRID)	-
42	DOOR PANEL (U1)	-
44	COASTAL ASTRAGAL (THERMA-TRU)	ALUM
50	SIDELITE PANEL	-
78	MULTIPOINT LOCK STRIKE PLATE @ HEAD	STEEL
79	MULTIPOINT LOCK STRIKE PLATE @ SILL	STEEL
80	COASTAL ASTRAGAL STRIKE PLATE	STEEL



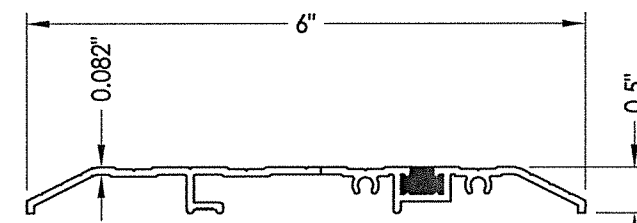
1 COMPOSITE JAMB



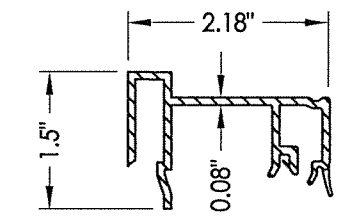
32 INSWING THRESHOLD  
Adjustable Composite Sill



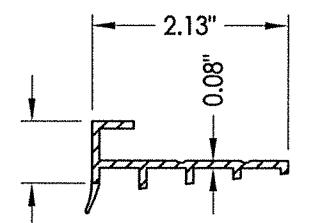
33 OUTSWING THRESHOLD  
Composite Sill



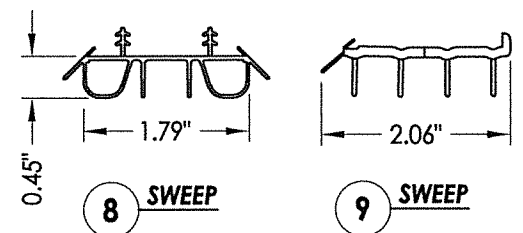
34 PUBLIC ACCESS THRESHOLD



35 SIDELITE SPACER  
Inswing

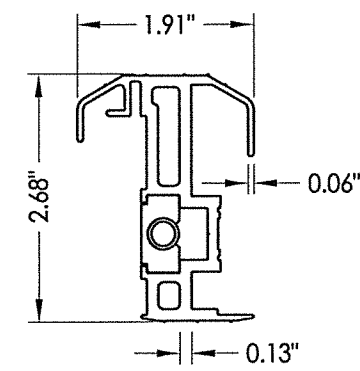


36 SIDELITE SPACER  
Outswing



8 SWEEP

9 SWEEP



44 COASTAL ASTRAGAL

**CONCRETE ANCHOR NOTES:**

- Concrete anchor locations at the corners may be adjusted to maintain the min. edge distance to mortar joints.
- Concrete anchor locations noted as "MAX. ON CENTER" must be adjusted to maintain the min. edge distance to mortar joints, additional concrete anchors may be required to ensure the "MAX. ON CENTER" dimension are not exceeded.
- Concrete anchor table:

ANCHOR TYPE	ANCHOR SIZE	MIN. EMBEDMENT	MIN. CLEARANCE TO MASONRY EDGE	MIN. CLEARANCE TO ADJACENT ANCHOR
ITW TAPCON®	1/4"	1-1/4"	2"	4"
DeWALT ULTRACON®	1/4"	1-1/4"	1"	4"
ITW TAPCON®	3/16"	1-1/4"	AS SHOWN	1-1/2"

**WOOD SCREW INSTALLATION NOTES:**

- Maintain a minimum 5/8" edge distance, 1" end distance, & 1" o.c. spacing of wood screws to prevent the splitting of wood.

Documents Prepared By: Lyndon F. Schmidt, P.E.  
TEXAS P.E. #104123

**RW** BUILDING CONSULTANTS, INC.  
P.O. Box 230 Valrico FL 33595  
Phone No.: 813.659.9197

TEXAS BOARD OF PROFESSIONAL ENGINEERS  
CERTIFICATE OF REGISTRATION # F-11852

PRODUCT: THERMA-TRU FIBERGLASS DOOR

PART OR ASSEMBLY: BILL OF MATERIALS & COMPONENTS

NO.	DATE	BY	REVISIONS

DATE: 5/24/21

SCALE: N.T.S.

DWG. BY: RW

CHK. BY: LFS

DRAWING NO.: TX-5208

SHEET 10 OF 10