



**"ORACODE 480i", "NOVA-D"
"SAFFIRE LX-D"
"SAFFIRE EVO LX-D"
"SAFFIRE EVO LZ-D"
"SAFFIRE EVO VR-D" SERIES**

**ELECTRONIC LOCK
in a FIBERGLASS DOOR
IN SWING / OUT SWING
"IMPACT"**

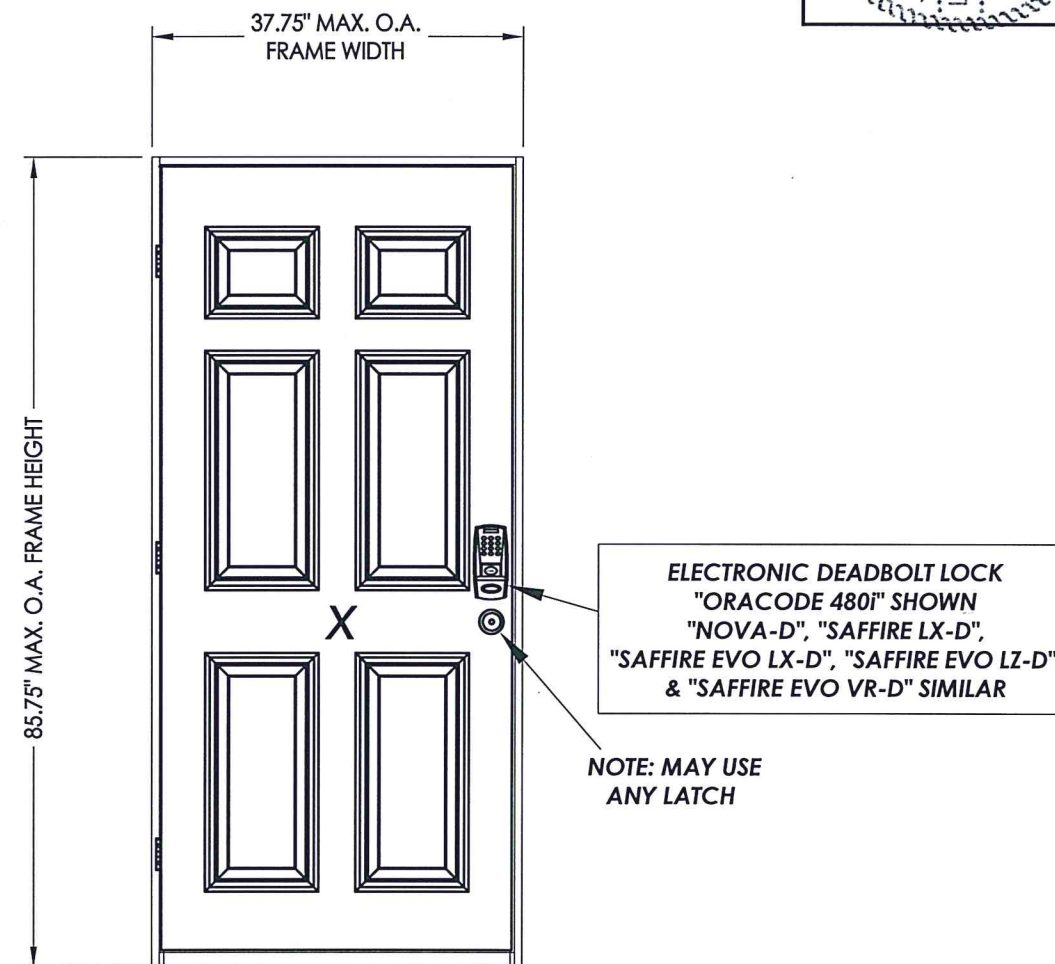
EVALUATED FOR USE IN THE STATE OF TEXAS

The Fiberglass Door system described herein complies with the 2018 International Residential Code (IRC), Sections R301 & R609 and the 2018 International Building Code (IBC), Sections 1404.13, 1609, 1709.5, 2403 and 2404 subject to the following conditions:

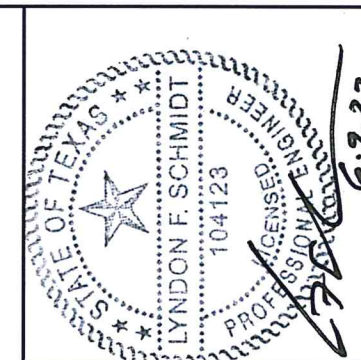
1. Anchors shall be as listed and spaced as shown in the details. Anchor embedment to base material shall be beyond wall dressing or stucco.
2. This system has been tested and evaluated as a large missile impact protective system for installation in areas that require wind borne debris protection. This product meets missile level "D" as defined in ASTM E 1996.
3. Allowable design pressure requirements must be equal to or less than the design pressure rating shown in the design pressure chart, sheet 1 of this drawing.
4. Conditions not covered by this drawing are subject to further engineering analysis.

TABLE OF CONTENTS

SHEET#	DESCRIPTION
1	Typical elevations, design pressures & general notes
2	Door panel details
3	Vertical cross sections
4	Horizontal cross section
5	Frame anchoring details
6	Bill of materials and components



MAX FRAME DIMENSION	DOOR PANEL MANUFACTURER	SWING	DESIGN PRESSURE (PSF)	
			POSITIVE	NEGATIVE
37.75" x 85.75"	Plastpro	IN SWING	+55.0	-65.0
37.75" x 84.63"	Plastpro	OUT SWING	+55.0	-65.0



Documents Prepared By: Lyndon F. Schmidt, P.E.
TEXAS P.E. #104123

RW BUILDING CONSULTANTS, INC.
P.O. Box 230 Valrico FL 33595
Phone No.: 813.659.9197

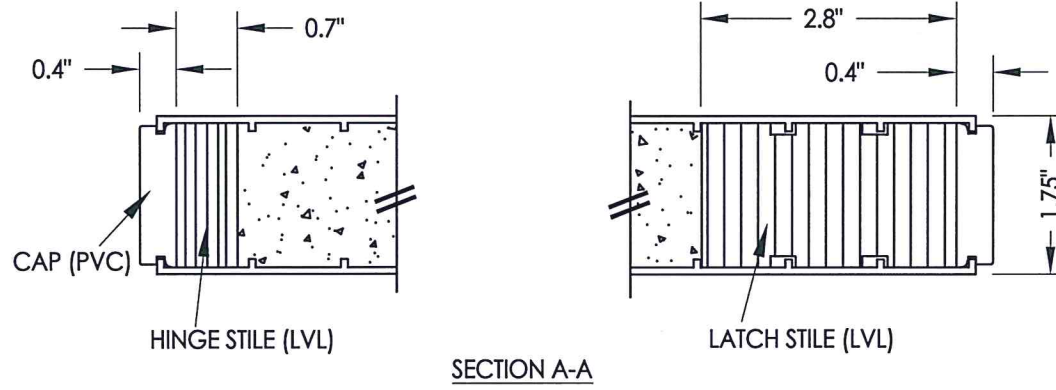
TEXAS BOARD OF PROFESSIONAL ENGINEERS
CERTIFICATE OF REGISTRATION # F-11852

PRODUCT: dormakaba ELECTRONIC LOCK FIBERGLASS DOOR

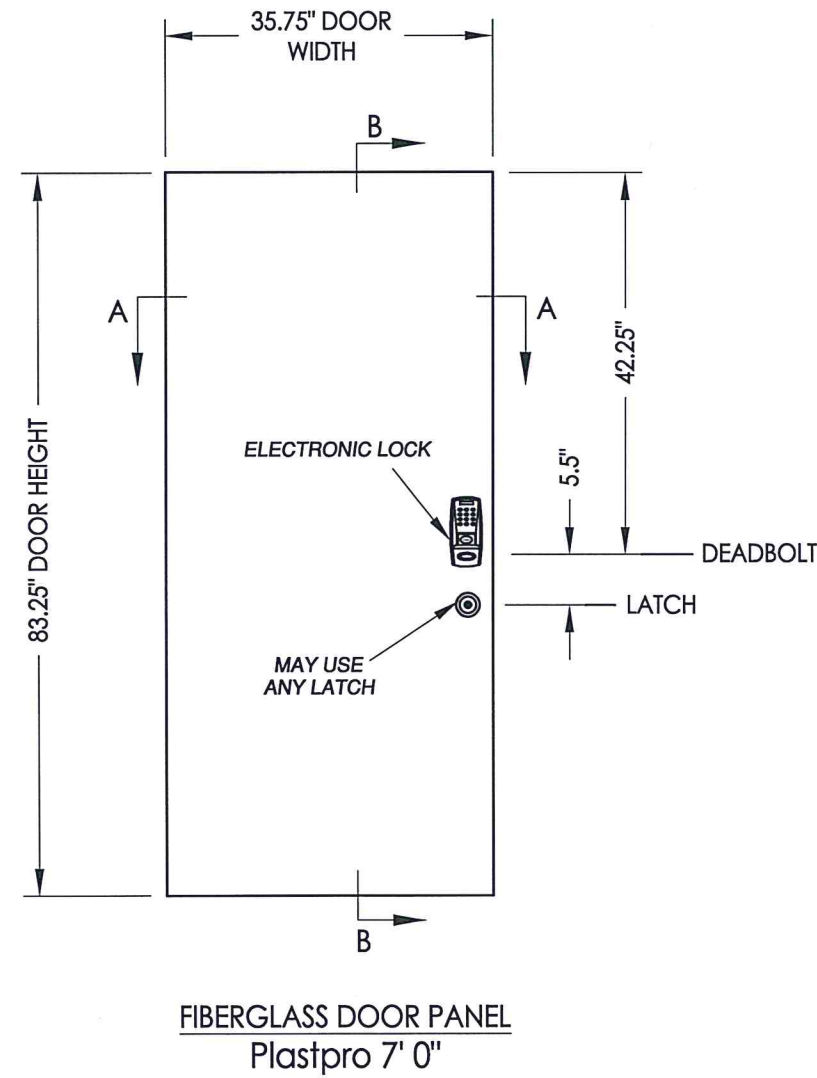
PART OR ASSEMBLY: TYPICAL ELEVATIONS, DESIGN PRESSURES & GENERAL NOTES

NO.	DATE	BY	REVISIONS
2	6/09/22	LFS	ADD "SAFFIRE EVO LZ-D & "SAFFIRE EVO VR-D SERIES"
1	1/13/22	LFS	ADD "SAFFIRE EVO LX-D" SERIES

DATE: 5/06/21
SCALE: N.T.S.
DWG. BY: LFS
CHK. BY: RW
DRAWING NO.: TX-5202
SHEET 1 OF 6

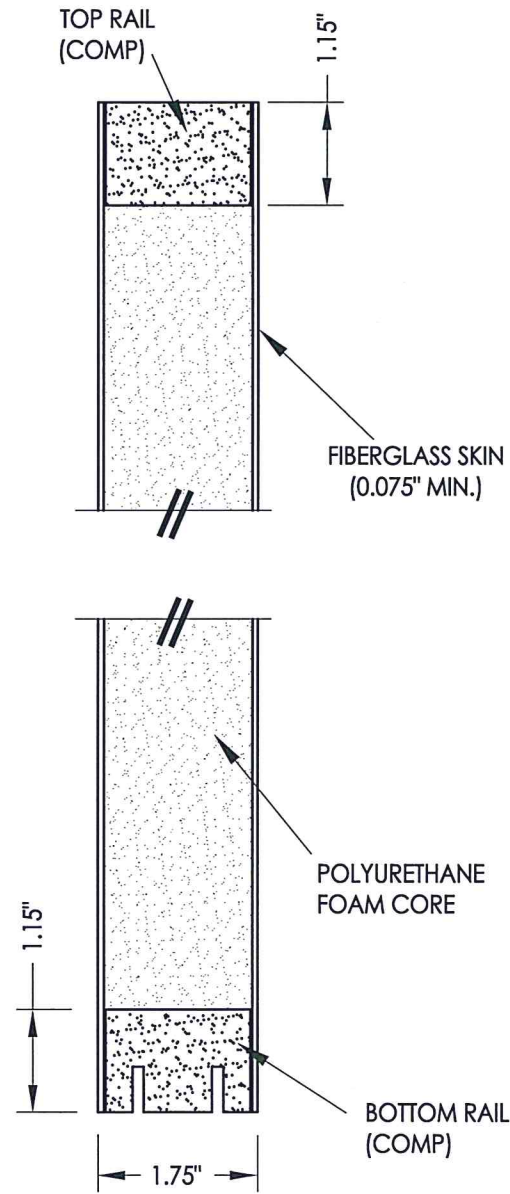


SECTION A-A



FIBERGLASS DOOR PANEL
Plastpro 7' 0"

DOOR TESTED WITHOUT LATCH - MAY USE ANY LATCH



SECTION B-B



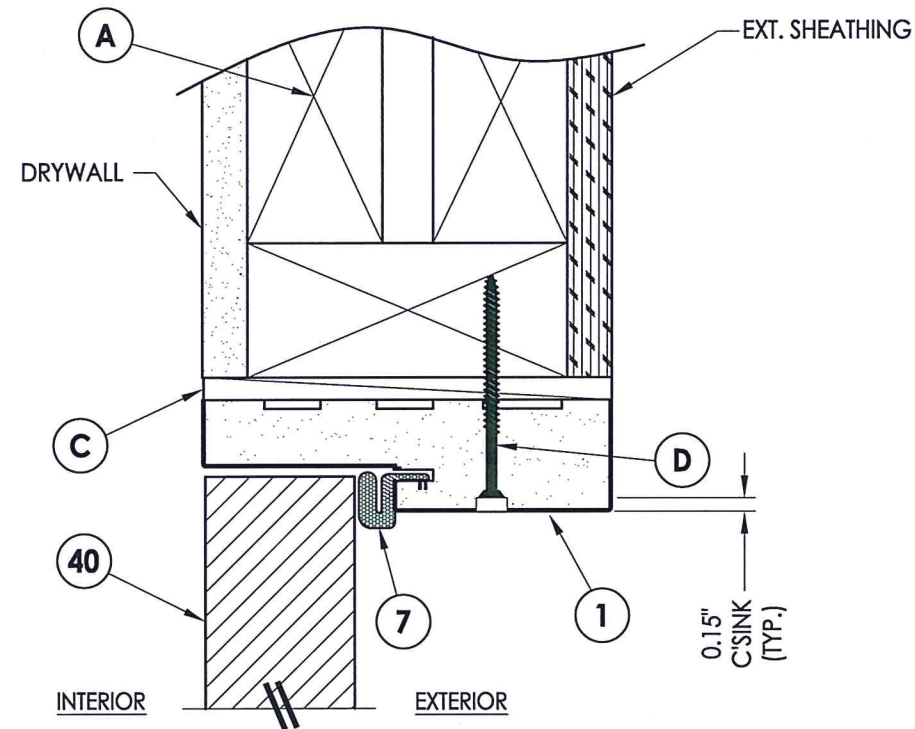
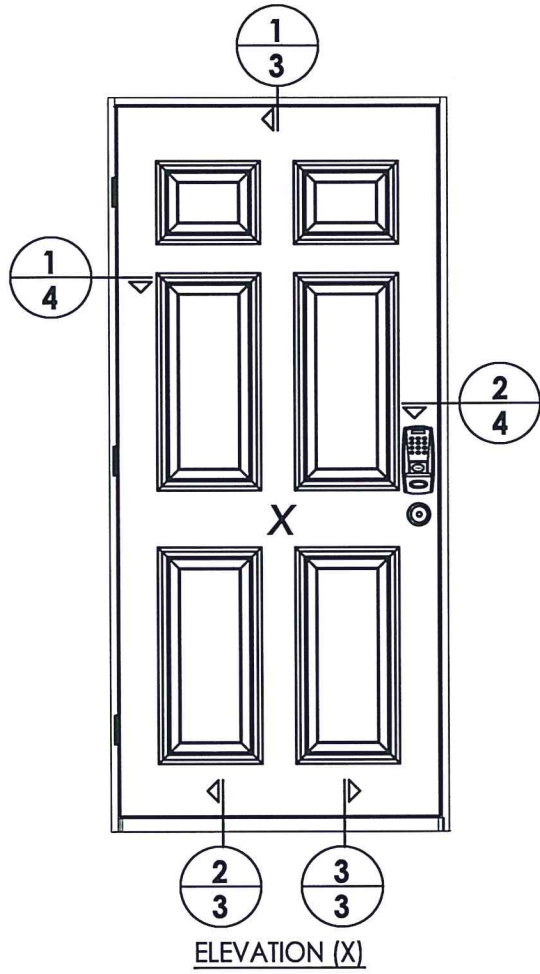
Documents Prepared By: Lyndon F. Schmidt, P.E.
TEXAS P.E. #104123

RW BUILDING CONSULTANTS, INC.
P.O. Box 230 Valrico FL 33595
Phone No.: 813.659.9197
TEXAS BOARD OF PROFESSIONAL ENGINEERS
CERTIFICATE OF REGISTRATION # F-11852

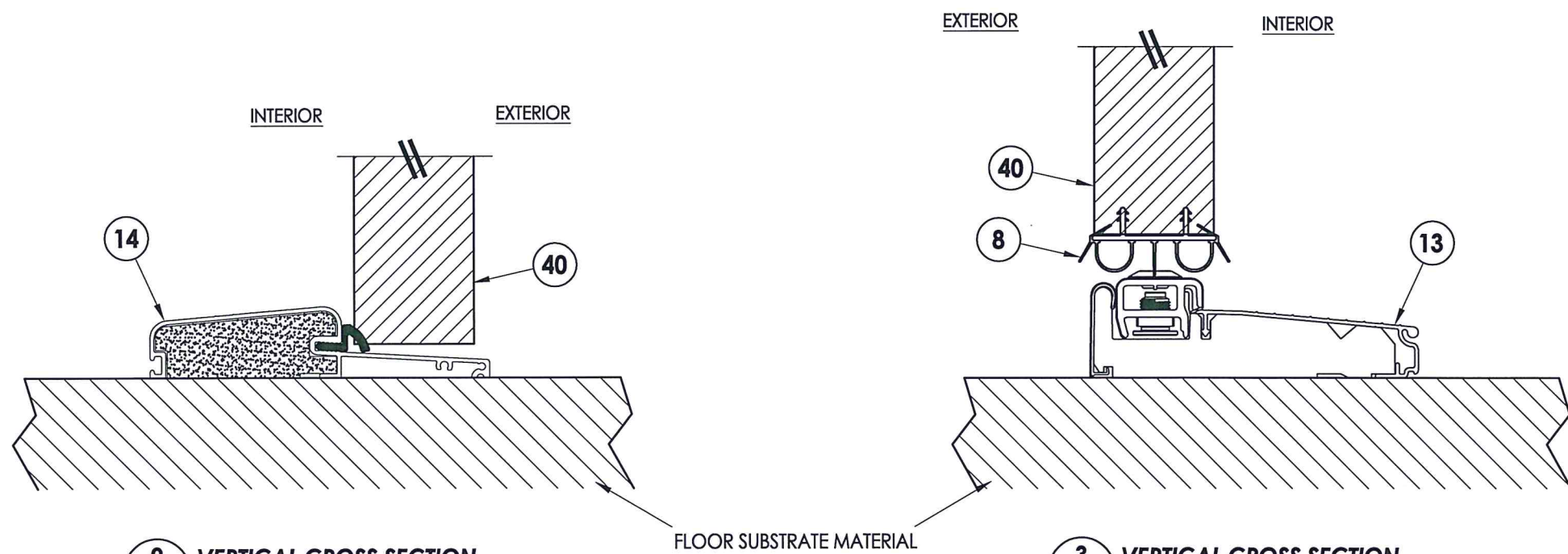
PRODUCT: dormakaba ELECTRONIC LOCK
FIBERGLASS DOOR
PART OR ASSEMBLY:
DOOR PANELS DETAILS

REVISIONS	
NO.	DATE
2	6/09/22
1	1/13/22

DATE: 5/06/21
SCALE: N.T.S.
DWG. BY: LFS
CHK. BY: RW
DRAWING NO.: TX-5202
SHEET 2 OF 6

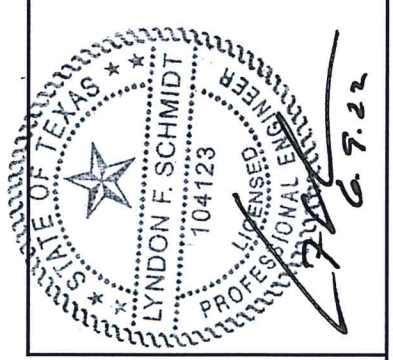


1 VERTICAL CROSS SECTION
3 Inswing shown (Outswing similar)



2 VERTICAL CROSS SECTION
3 Outswing configuration

3 VERTICAL CROSS SECTION
3 Inswing configuration



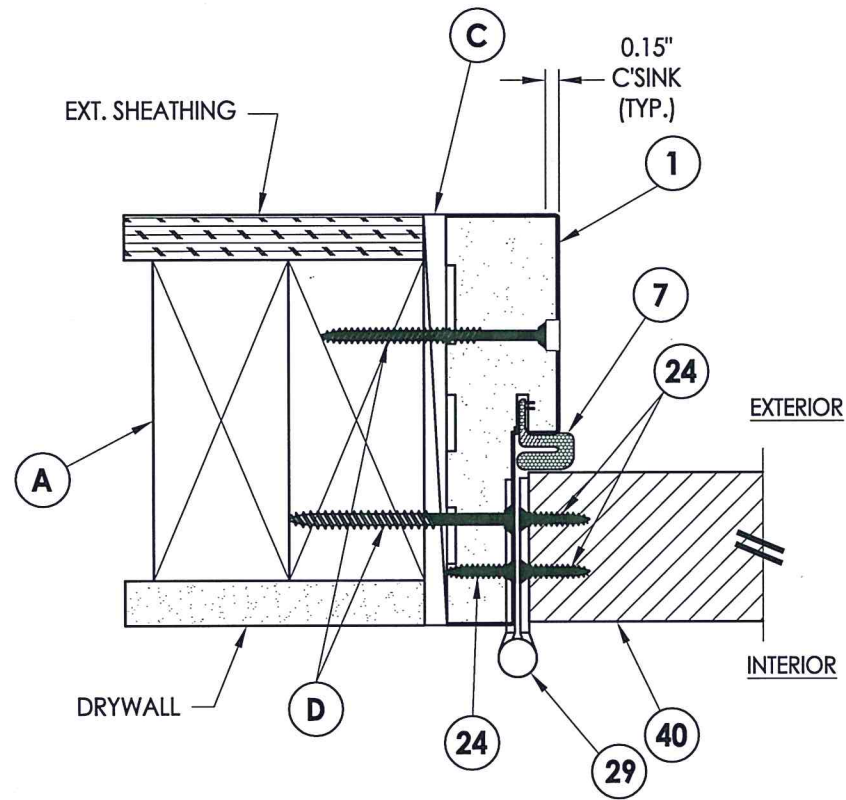
Documents Prepared By: Lyndon F. Schmidt, P.E.
 TEXAS P.E. #104123

RW BUILDING CONSULTANTS, INC.
 P.O. Box 230 Vairico FL 33595
 Phone No.: 813.659.9197

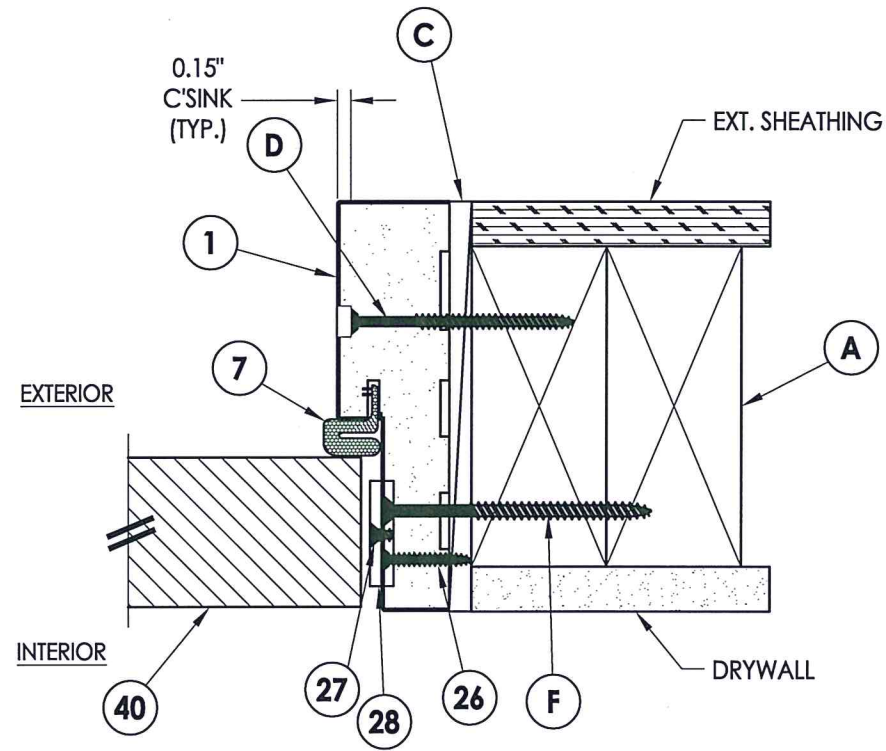
TEXAS BOARD OF PROFESSIONAL ENGINEERS
 CERTIFICATE OF REGISTRATION # F-11852

PRODUCT:		dormakaba ELECTRONIC LOCK FIBERGLASS DOOR	
PART OR ASSEMBLY:		VERTICAL CROSS SECTIONS	
NO.	DATE	BY	REVISIONS
2	6/09/22	LFS	ADD "SAFFIRE EVO LZ-D & "SAFFIRE EVO VR-D SERIES"
1	1/13/22	LFS	ADD "SAFFIRE EVO LX-D" SERIES

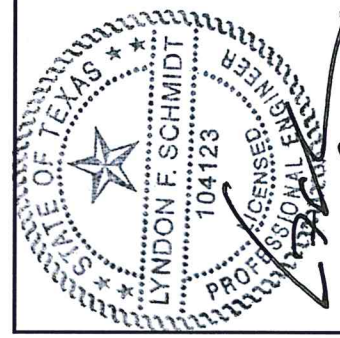
DATE: 5/06/21
 SCALE: N.T.S.
 DWG. BY: LFS
 CHK. BY: RW
 DRAWING NO.: TX-5202
 SHEET 3 OF 6



1 HORIZONTAL CROSS SECTION
 4 Inswing shown (Outswing similar)



2 HORIZONTAL CROSS SECTION
 4 Inswing shown (Outswing similar)



Documents Prepared By: Lyndon F. Schmidt, P.E.
 TEXAS P.E. #104123

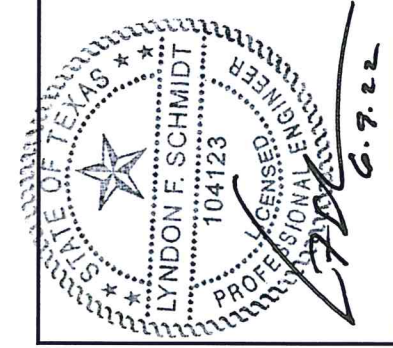
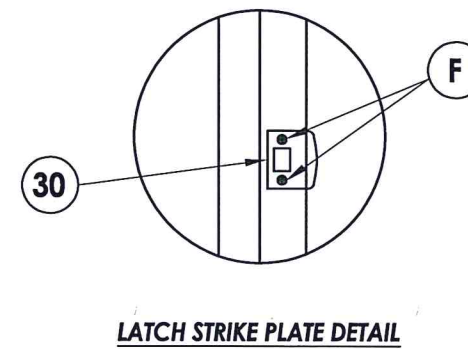
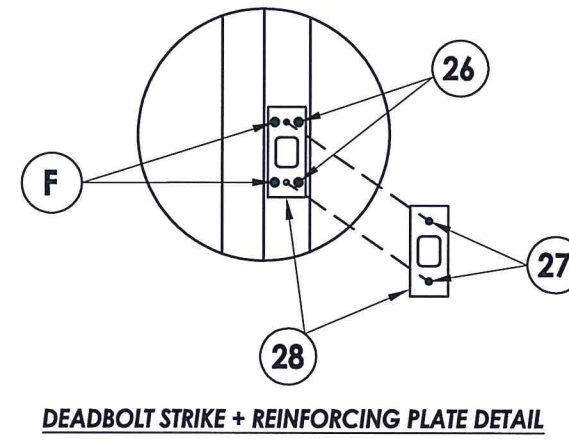
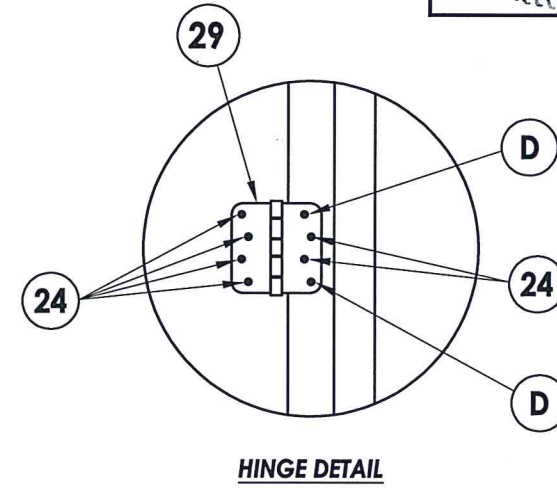
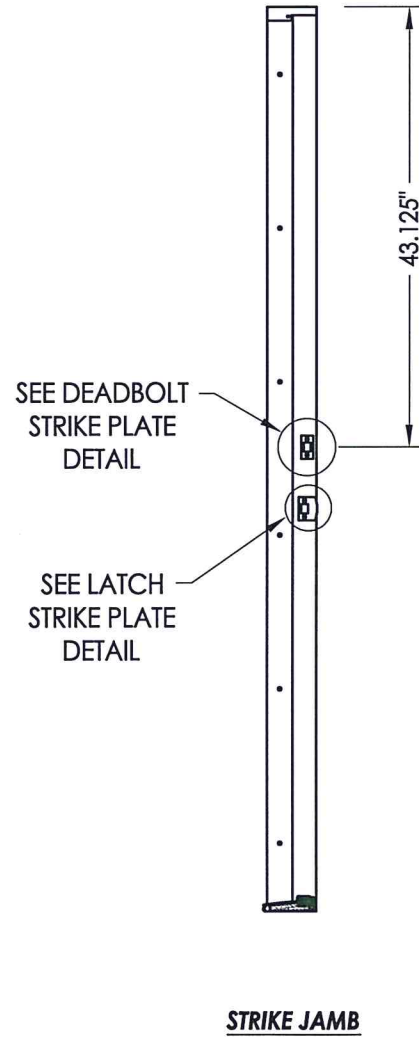
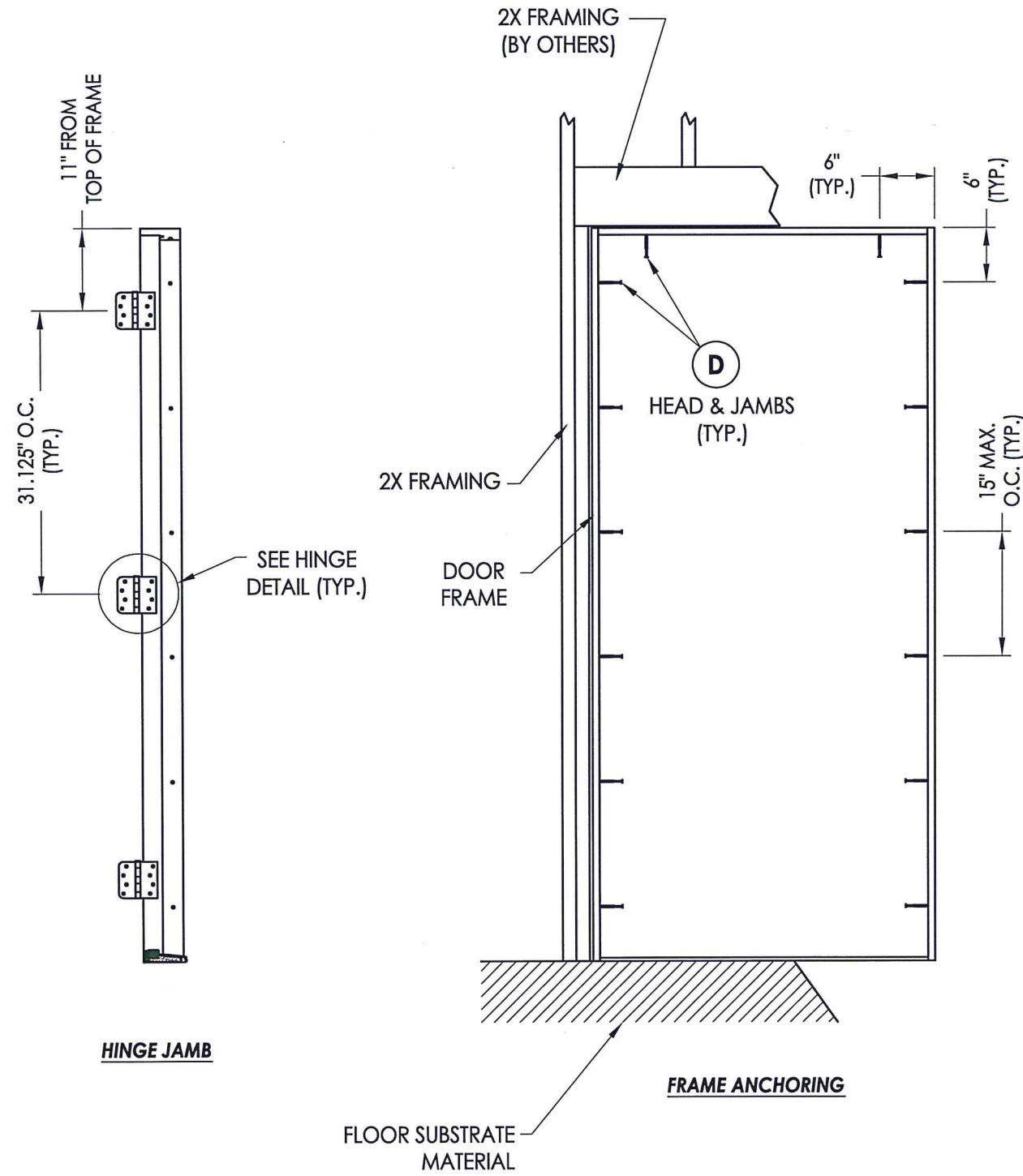
RW BUILDING CONSULTANTS, INC.
 P.O. Box 230 Valrico FL, 33595
 Phone No.: 813.659.9197
 TEXAS BOARD OF PROFESSIONAL ENGINEERS
 CERTIFICATE OF REGISTRATION # F-11852

PRODUCT: dormakaba ELECTRONIC LOCK
 FIBERGLASS DOOR

PART OR ASSEMBLY:
 HORIZONTAL CROSS SECTIONS

NO.	DATE	REVISIONS
2	6/09/22	ADD "SAFFIRE EVO LZ-D & "SAFFIRE EVO VR-D SERIES"
1	1/13/22	ADD "SAFFIRE EVO LX-D" SERIES
		BY

DATE: 5/06/21
 SCALE: N.T.S.
 DWG. BY: LFS
 CHK. BY: RW
 DRAWING NO.: TX-5202
 SHEET 4 OF 6



Documents Prepared By: Lyndon F. Schmidt, P.E.
TEXAS P.E. #104123

RW BUILDING CONSULTANTS, INC.
P.O. Box 230 Valrico FL 33595
Phone No.: 813.659.9197
TEXAS BOARD OF PROFESSIONAL ENGINEERS
CERTIFICATE OF REGISTRATION # F-11852

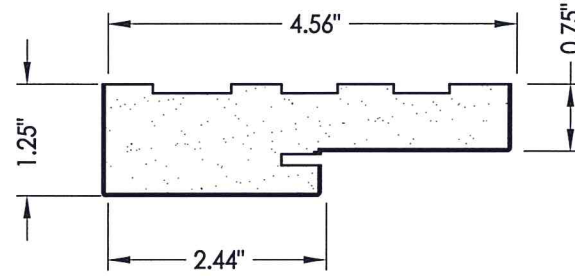
PRODUCT: dormakaba ELECTRONIC LOCK
FIBERGLASS DOOR

PART OR ASSEMBLY:
FRAME ANCHORING
DETAILS

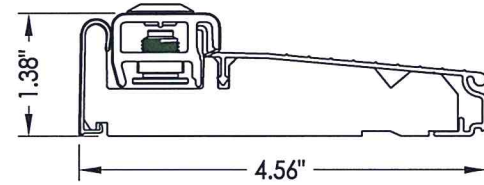
NO.	DATE	REVISIONS
2	6/09/22	ADD "SAFFIRE EVO LZ-D & "SAFFIRE EVO VR-D SERIES"
1	1/13/22	ADD "SAFFIRE EVO LX-D" SERIES
		BY

DATE: 5/06/21
SCALE: N.T.S.
DWG. BY: LFS
CHK. BY: RW
DRAWING NO.: TX-5202
SHEET 5 OF 6

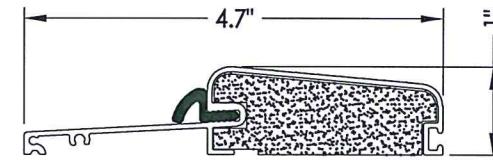
BILL OF MATERIALS		
ITEM #	DESCRIPTION	MATERIAL
A	2X FRAMING (SG >= 0.42)	WOOD
C	1/4" MAX. SHIM SPACE	-
D	#10 X 2-1/2" PFH WOOD SCREW (1.15" MIN. EMBEDMENT)	STEEL
F	#10 X 3" PFH WOOD SCREW	STEEL
1	COMPOSITE JAMB	POLY FIBER
7	WEATHERSTRIP (Q-LON)	FOAM
8	SWEEP	VINYL
13	INSWING THRESHOLD	ALUM/COMP
14	OUTSWING THRESHOLD	ALUM/COMP
23	#10 X 1-1/2" PPH SMS	STEEL
24	#10 X 3/4" PFH SMS	STEEL
26	#8 X 1" PFH WOOD SCREW	STEEL
27	#8-32 X 7/8" MACHINE SCREW	STEEL
28	DEADBOLT STRIKE + REINFORCING PLATE	STEEL
29	4" X 4" HINGE	STEEL
30	LATCH STRIKE PLATE	STEEL
40	DOOR PANEL (PLASTPRO)	-



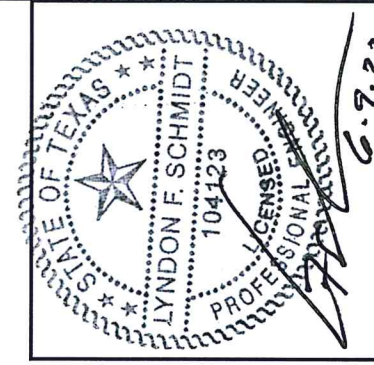
1 POLY FIBER JAMB



13 INSWING ADJUSTABLE THRESHOLD
Endura (Z SERIES)



14 OUTSWING THRESHOLD
Columbia



Documents Prepared By: Lyndon F. Schmidt, P.E.
TEXAS P.E. #104123

RW BUILDING CONSULTANTS, INC.
P.O. Box 230 Vairico FL 33595
Phone No.: 813.659.9197

TEXAS BOARD OF PROFESSIONAL ENGINEERS
CERTIFICATE OF REGISTRATION # F-11852

PRODUCT: dormakaba ELECTRONIC LOCK
FIBERGLASS DOOR

PART OR ASSEMBLY:
BILL OF MATERIALS
& COMPONENTS

NO.	DATE	REVISIONS
2	6/09/22	ADD "SAFFIRE EVO LZ-D & "SAFFIRE EVO VR-D SERIES"
1	1/13/22	ADD "SAFFIRE EVO LX-D" SERIES

DATE: 5/06/21

SCALE: N.T.S.

DWG. BY: LFS

CHK. BY: RW

DRAWING NO.:

TX-5202

SHEET 6 OF 6