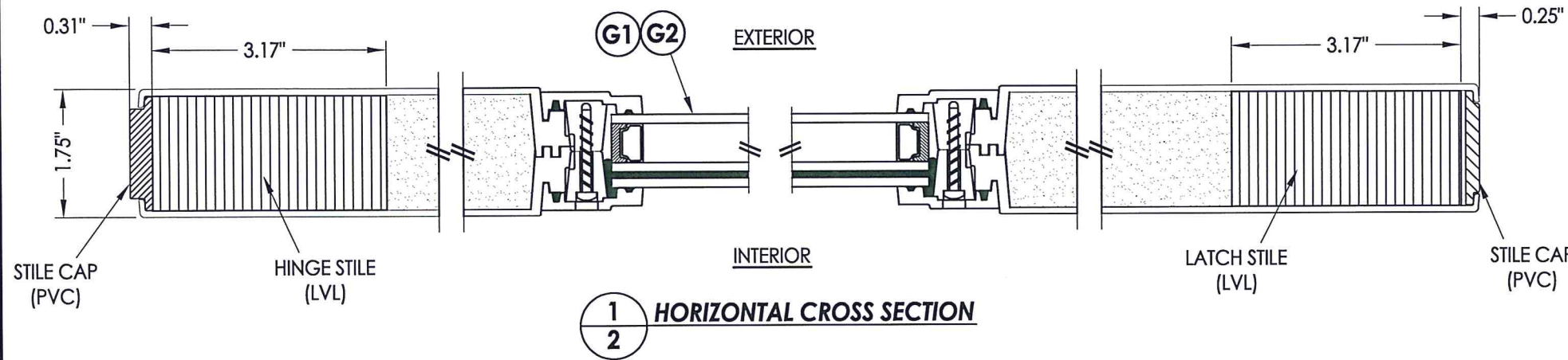
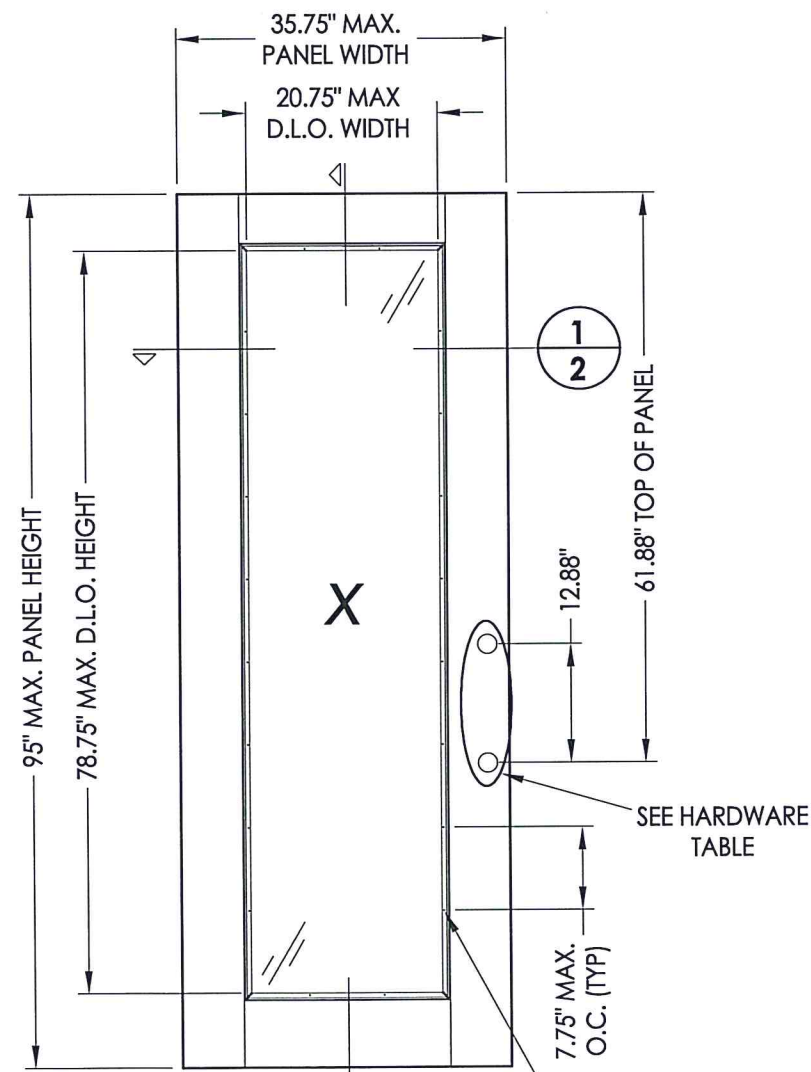


Z:\Clients\Trinity Glass PERMANENT\B - Texas Dept of Ins\DR-XXX 8-0 GLZ FG - IMP\IC - Drawings\TX-5172-74.dwg



1
2 HORIZONTAL CROSS SECTION



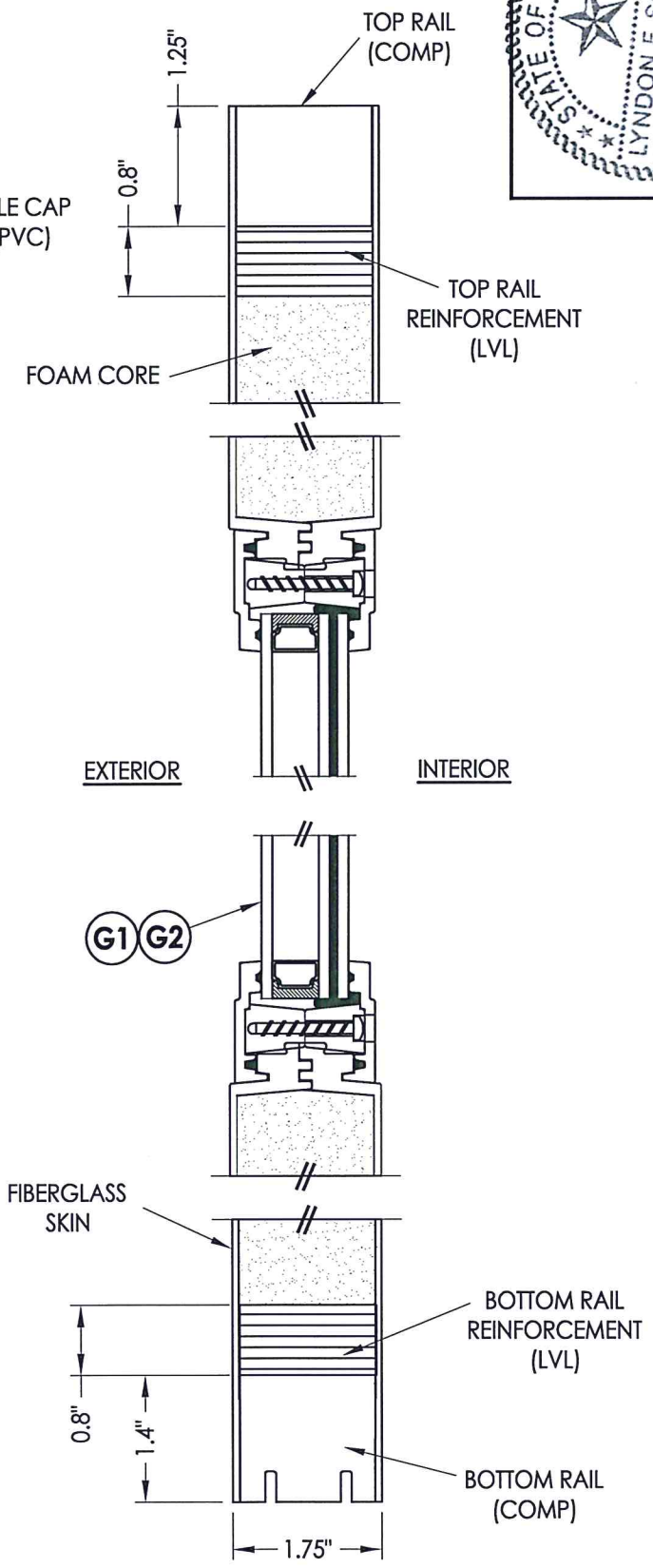
40 GLAZED DOOR PANEL
Fiberglass

#8 X 1-1/8" SELF
THREADING SCREW
(TYP.)

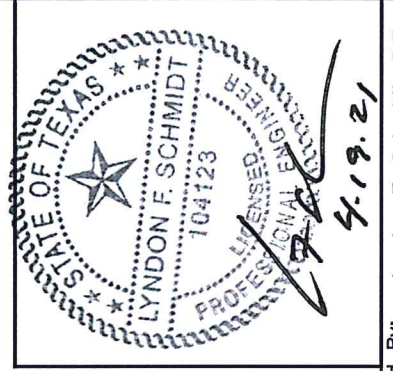
SEE HARDWARE
TABLE

| HARDWARE CHART | |
|----------------|----------------------------------|
| MANUFACTURER | MODEL |
| KWIKSET | KNOB: SIGNATURE SERIES |
| | DEADBOLT: SIGNATURE SERIES (980) |
| SCHLAGE | KNOB: F SERIES |
| | DEADBOLT: B60 SERIES |

DOOR SKIN: 0.075" MIN. THK. FIBERGLASS
CORE MATERIAL: POLYURETHANE FOAM



2
2 VERTICAL CROSS SECTION



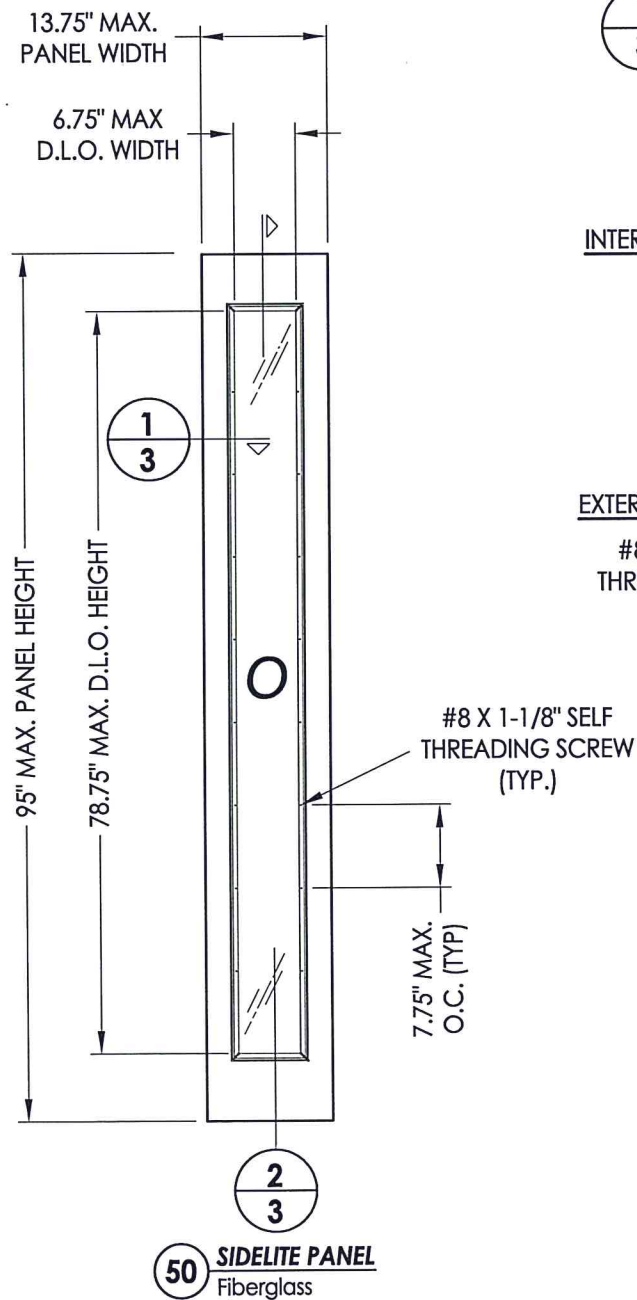
Documents Prepared By: Lyndon F. Schmidt, P.E.
TEXAS P.E. #104123

RW BUILDING CONSULTANTS, INC.
P.O. Box 230 Valrico FL 33595
Phone No.: 813.659.9197

CERTIFICATE OF REGISTRATION # F-11852

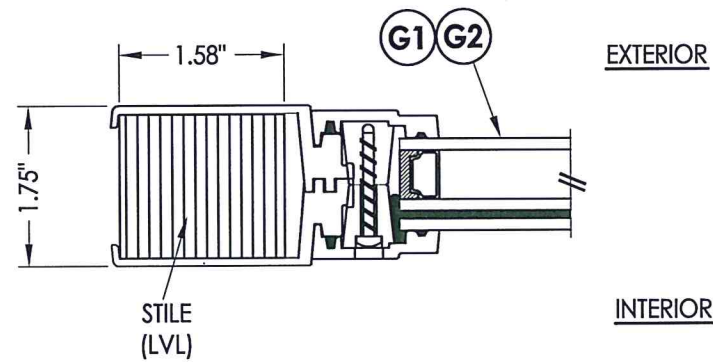
| | |
|-------------------|---------------------|
| PRODUCT: | TRINITY GLASS INT'L |
| PART OR ASSEMBLY: | DOOR PANEL DETAILS |
| NO. | DATE |
| BY | |
| REVISIONS | |
| DATE: | 4/15/21 |
| SCALE: | N.T.S. |
| DWG. BY: | RW |
| CHK. BY: | LFS |
| DRAWING NO.: | TX-5174 |
| SHEET | 2 OF 10 |

Z:\Clients\Trinity Glass PERMANENT\B - Texas Dept of Ins\DR-XXX 8-0 GLZ FG - IMP\C - Drawings\TX-5172-74.dwg

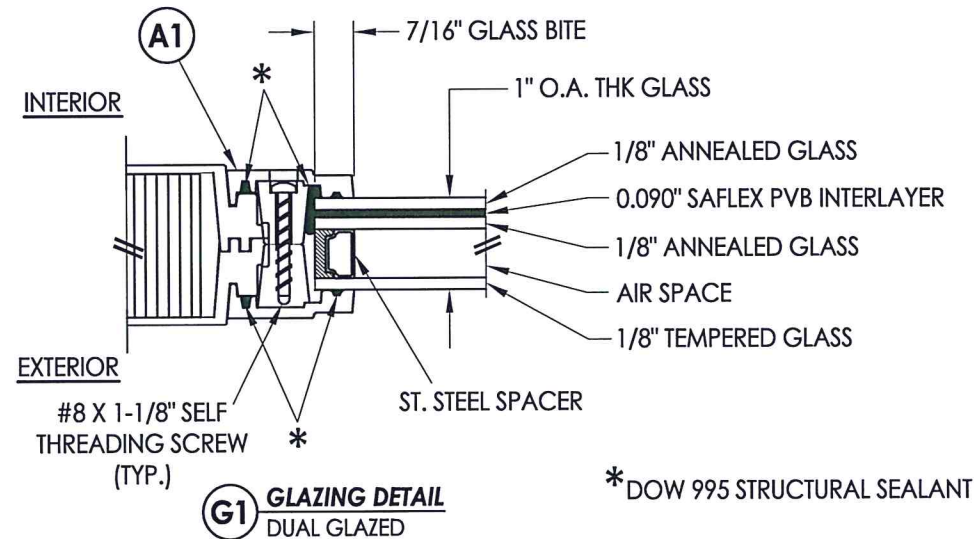


50 SIDELITE PANEL
Fiberglass

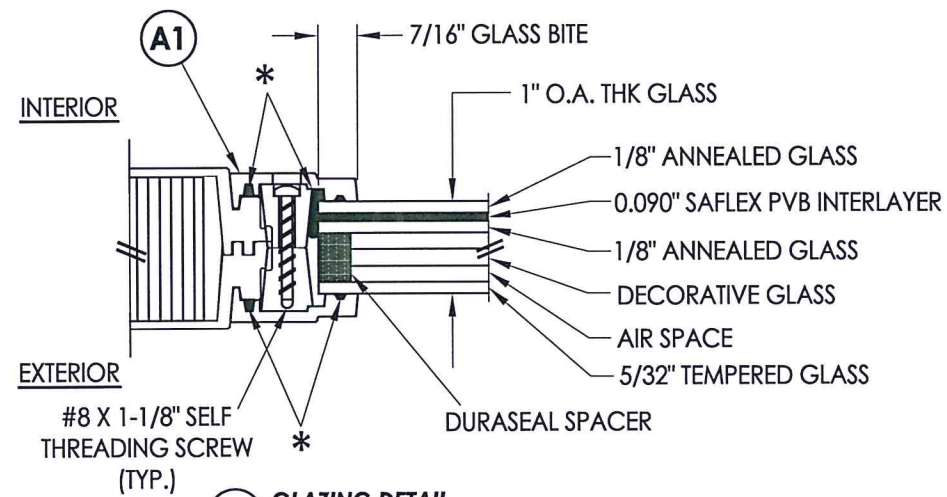
DOOR SKIN: 0.075" MIN. THK. FIBERGLASS
CORE MATERIAL: POLYURETHANE FOAM



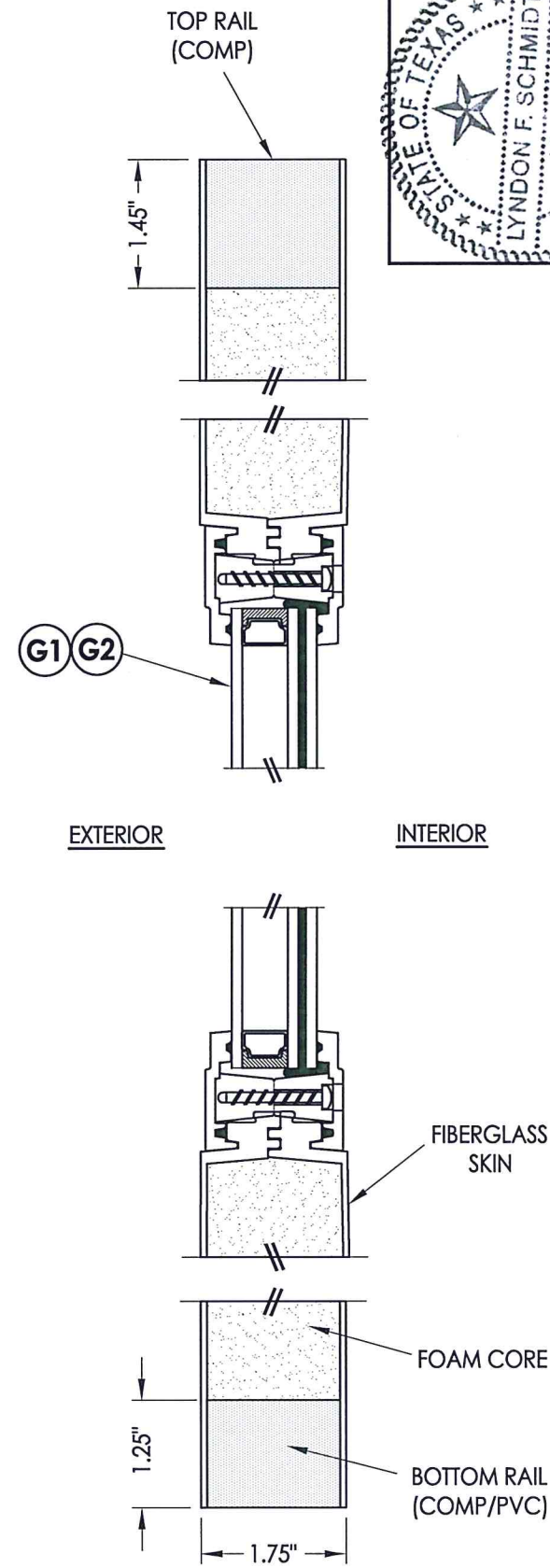
1 HORIZONTAL CROSS SECTION



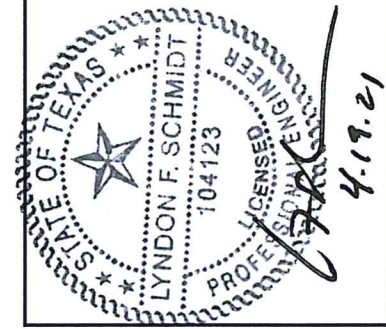
G1 GLAZING DETAIL
DUAL GLAZED



G2 GLAZING DETAIL
TRIPLE GLAZED



2 VERTICAL CROSS SECTION



Documents Prepared By: Lyndon F. Schmidt, P.E.
TEXAS P.E. #104123

RW BUILDING CONSULTANTS, INC.
P.O. Box 230 Valrico FL 33595
Phone No.: 813.659.9197

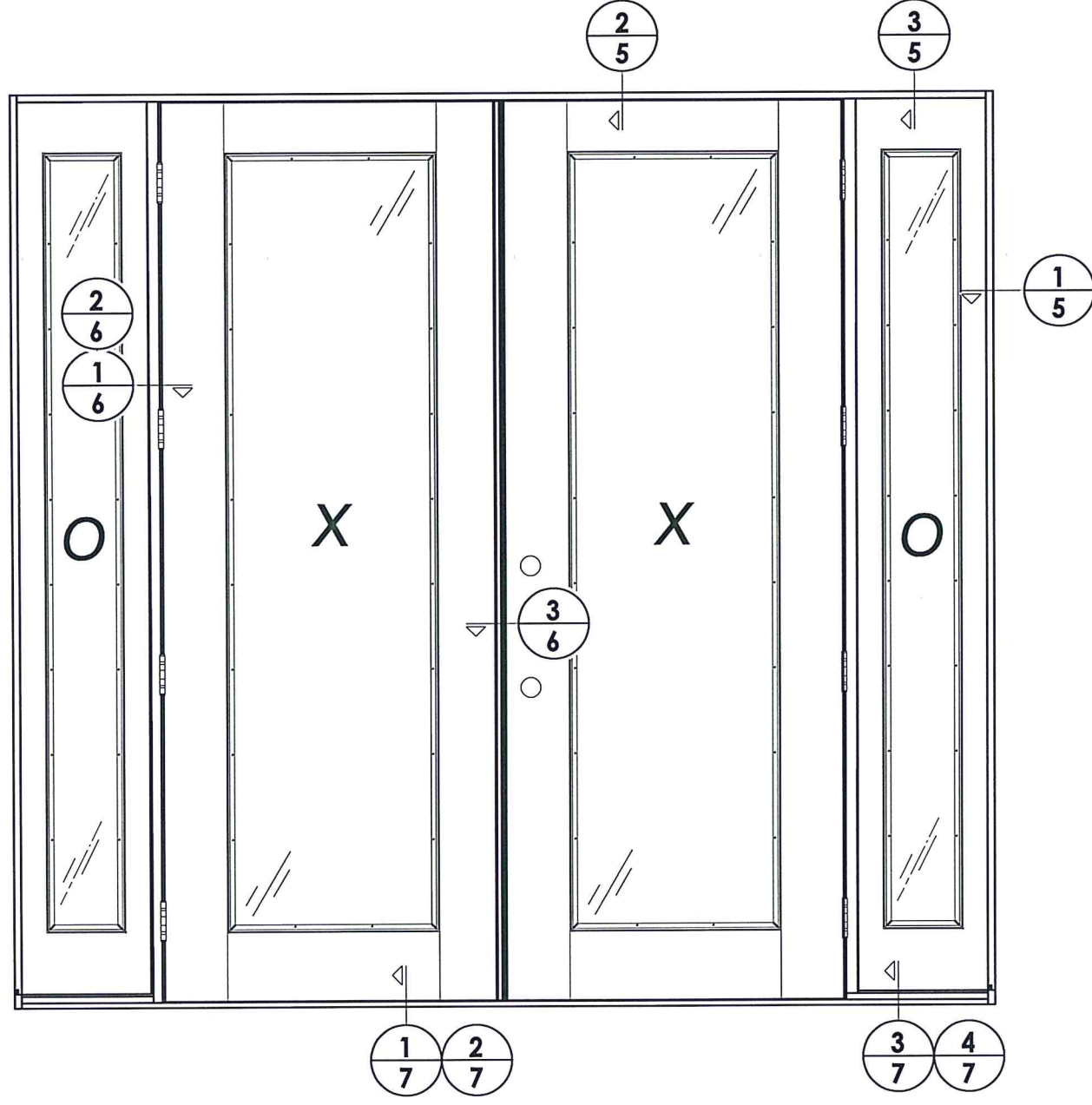
CERTIFICATE OF REGISTRATION # F-11852

| | |
|-------------------|---------------------|
| PRODUCT: | TRINITY GLASS INT'L |
| PART OR ASSEMBLY: | DOOR PANEL DETAILS |

| NO. | DATE | BY | REVISIONS |
|-----|------|----|-----------|
| | | | |
| | | | |
| | | | |

| | |
|--------------|---------|
| DATE: | 4/15/21 |
| SCALE: | N.T.S. |
| DWG. BY: | RW |
| CHK. BY: | LFS |
| DRAWING NO.: | TX-5174 |
| SHEET | 3 OF 10 |

© 2021 R.W. BUILDING CONSULTANTS INC.



Documents Prepared By: Lyndon F. Schmidt, P.E.
TEXAS P.E. #104123

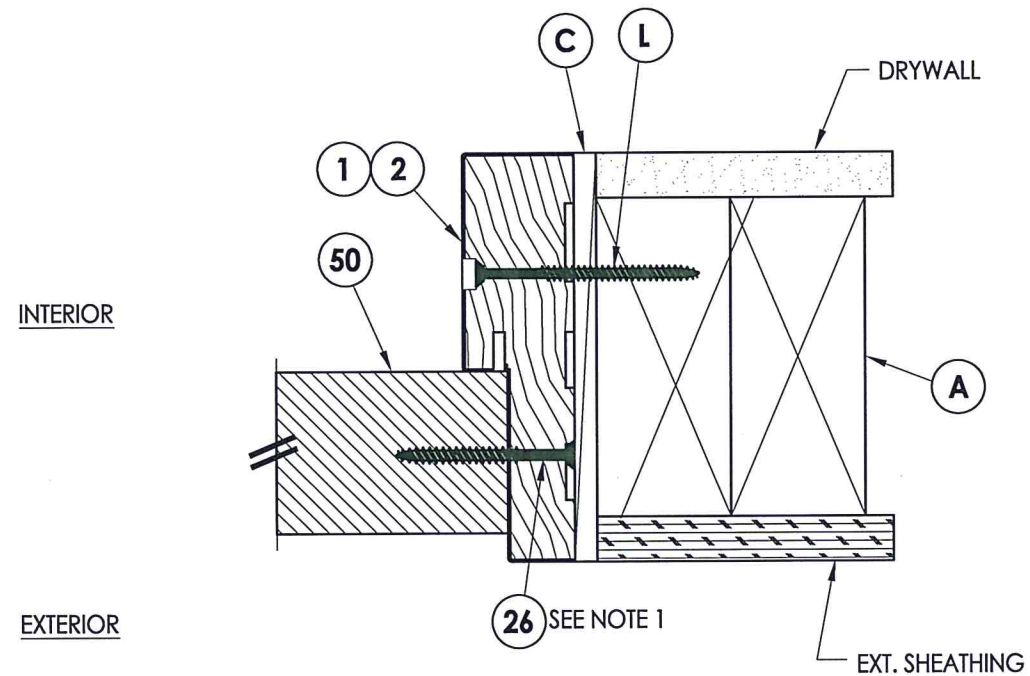
RW BUILDING CONSULTANTS, INC.
P.O. Box 230 Vairico FL 33595
Phone No.: 813.659.9197

CERTIFICATE OF REGISTRATION # F-11852

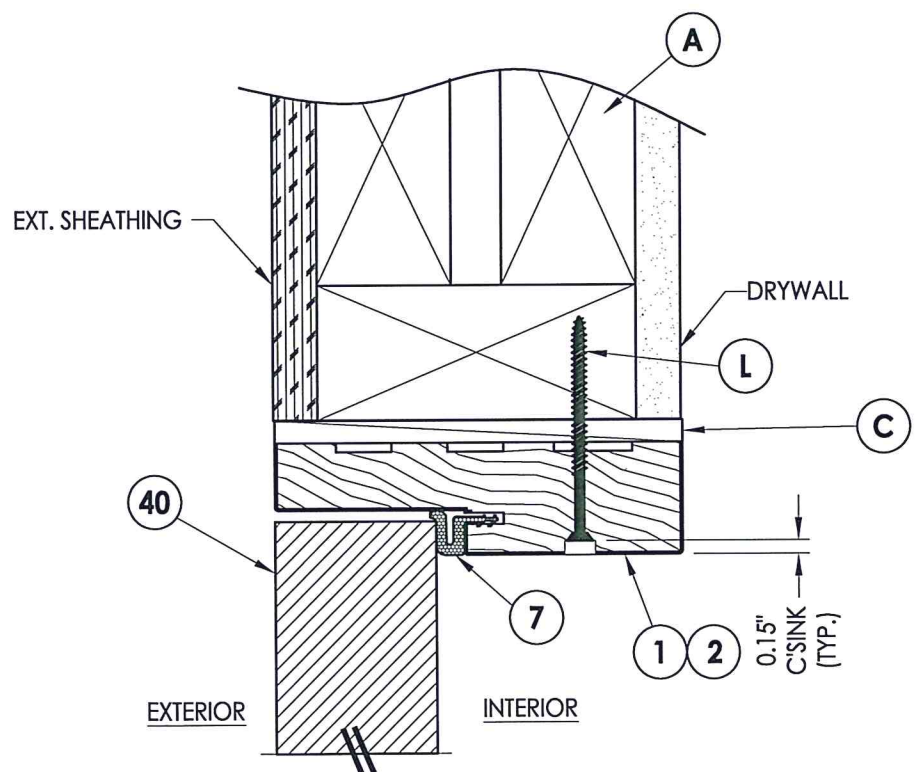
PRODUCT: TRINITY GLASS INT'L
PART OR ASSEMBLY: ELEVATIONS

| NO. | DATE | BY | REVISIONS |
|-----|------|----|-----------|
| | | | |
| | | | |
| | | | |
| | | | |
| | | | |

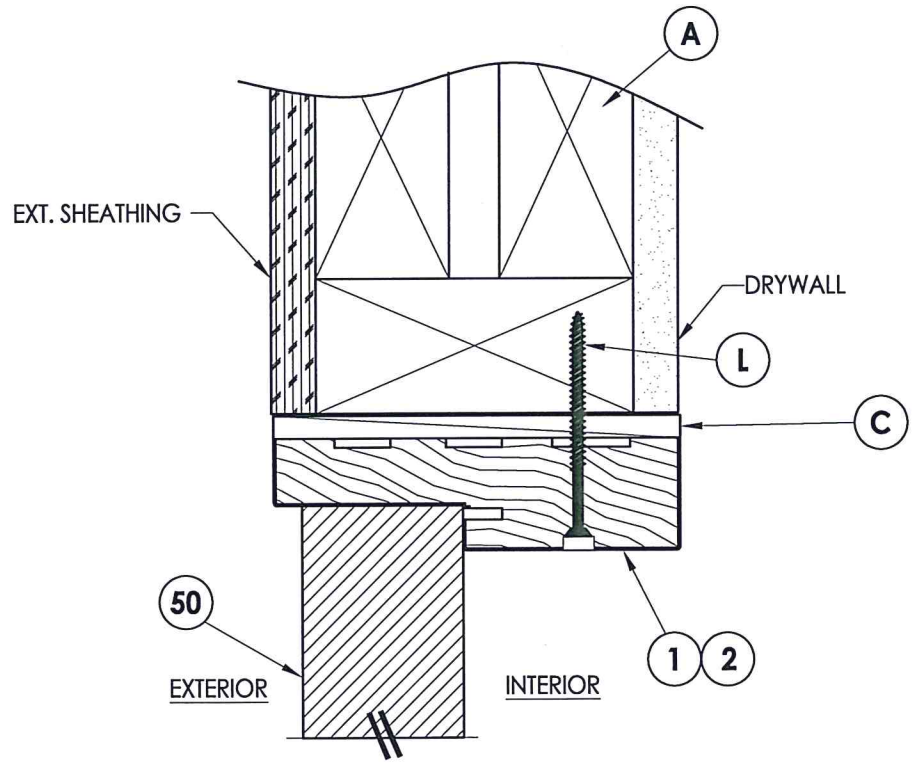
DATE: 4/15/21
SCALE: N.T.S.
DWG. BY: RW
CHK. BY: LFS
DRAWING NO.: TX-5174
SHEET 4 OF 10



1 HORIZONTAL CROSS SECTION
 5 Outswing shown (Inswing similar)

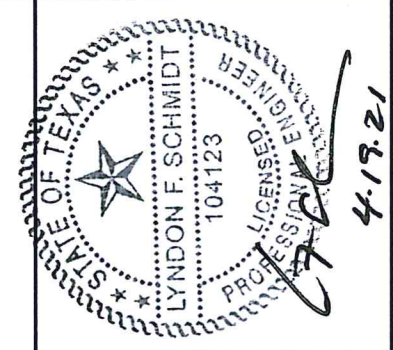


2 VERTICAL CROSS SECTION
 5 Outswing shown (Inswing similar)



3 VERTICAL CROSS SECTION
 5 Outswing shown (Inswing similar)

NOTES:
 1. Item #26 located 6" from each end and 3 more equally spaced (5 total).



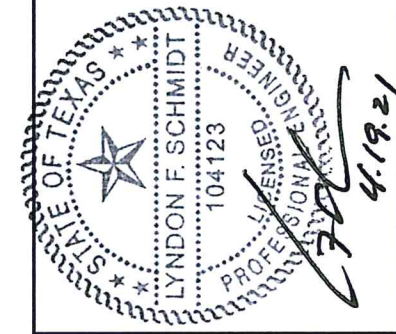
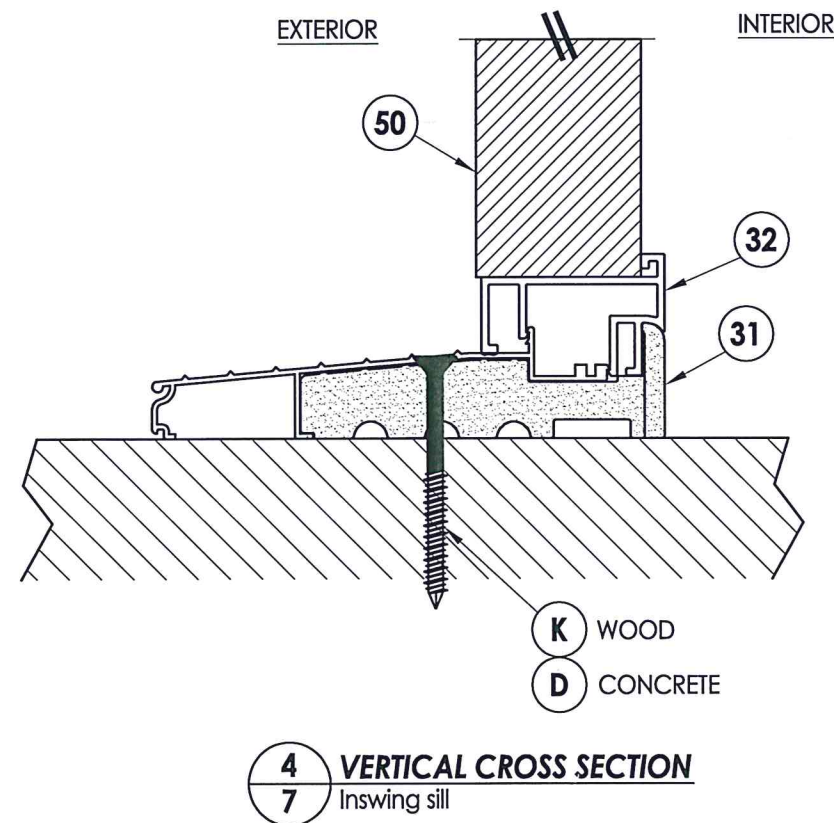
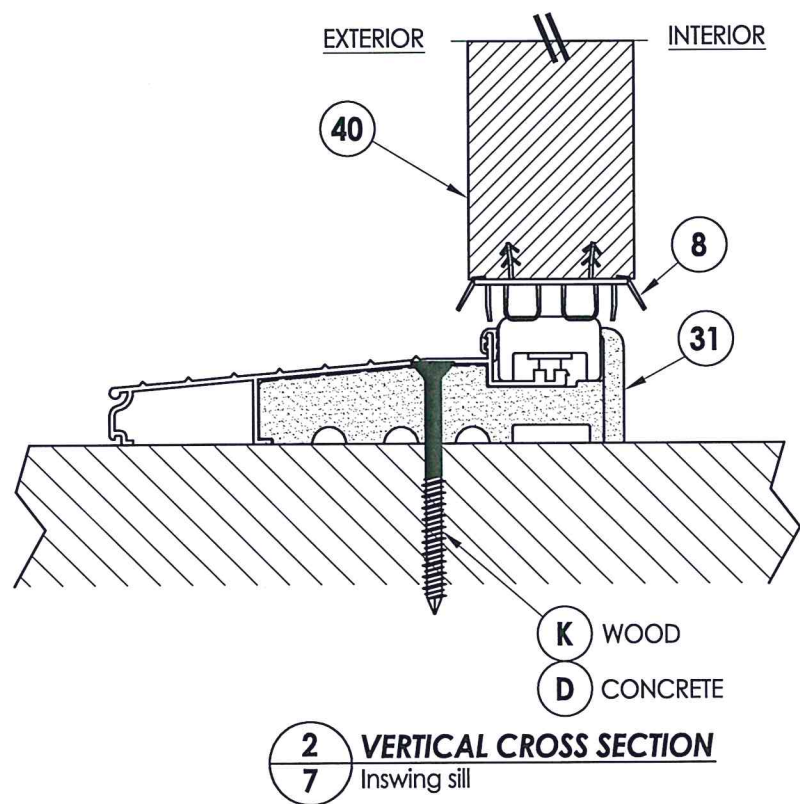
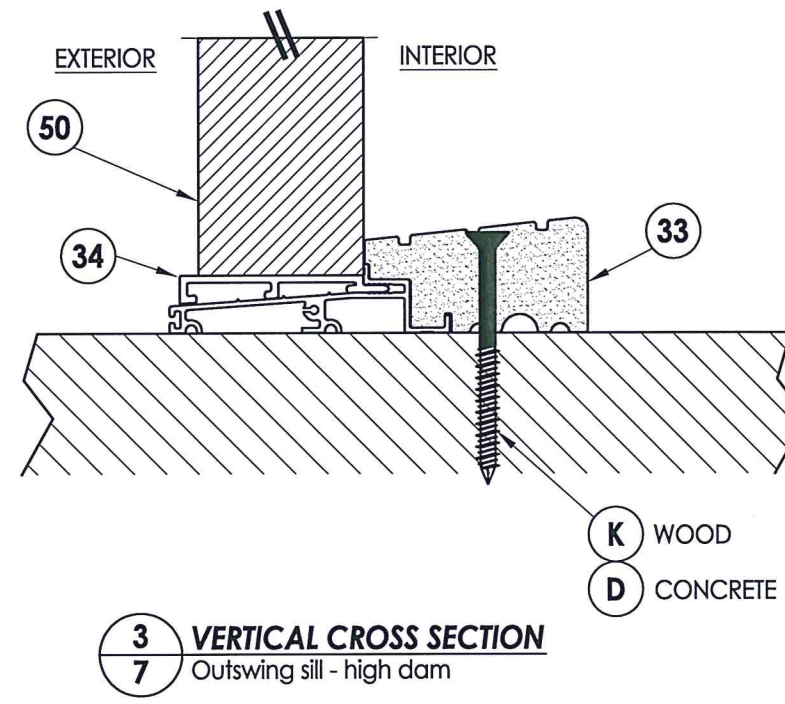
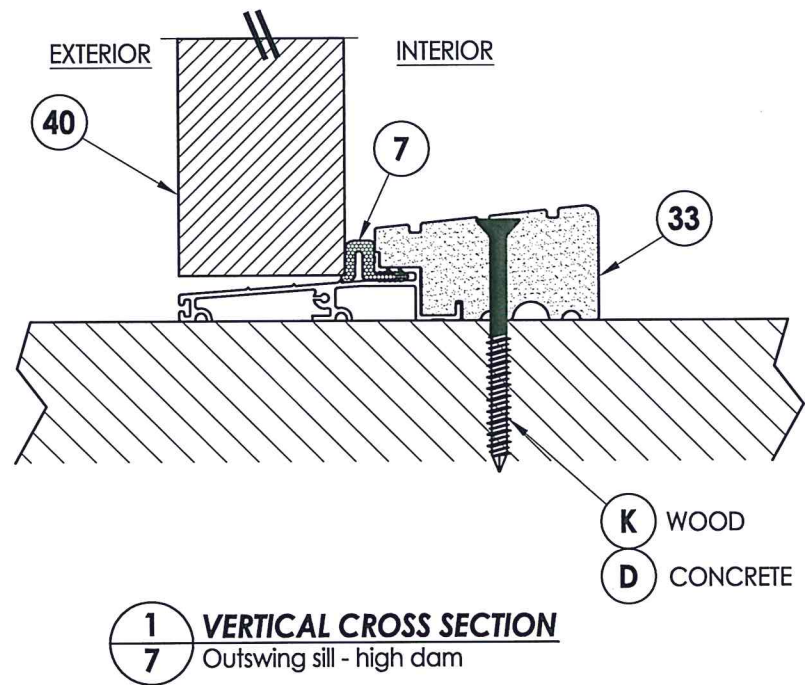
Documents Prepared By: Lyndon F. Schmidt, P.E.
 TEXAS P.E. #104123

RW BUILDING CONSULTANTS, INC.
 P.O. Box 230 Valrico FL 33595
 Phone No.: 813.659.9197

CERTIFICATE OF REGISTRATION # F-11852

| | |
|--|-----------|
| PRODUCT: TRINITY GLASS INT'L | |
| PART OR ASSEMBLY: HORIZONTAL & VERTICAL CROSS SECTIONS | |
| NO. | DATE |
| BY | REVISIONS |
| DATE: 4/15/21 | |
| SCALE: N.T.S. | |
| DWG. BY: RW | |
| CHK. BY: LFS | |
| DRAWING NO.: TX-5174 | |
| SHEET 5 OF 10 | |

Z:\clients\Trinity Glass PERMANENT\B - Texas Dept of Ins\DR-XXX 8-0 GLZ FG - IMP\C - Drawings\TX-5172-74.dwg

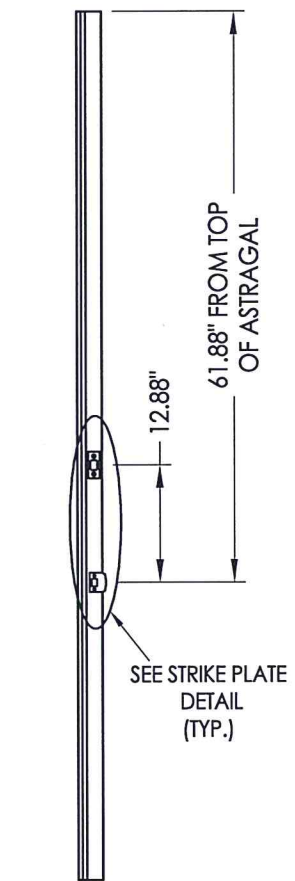
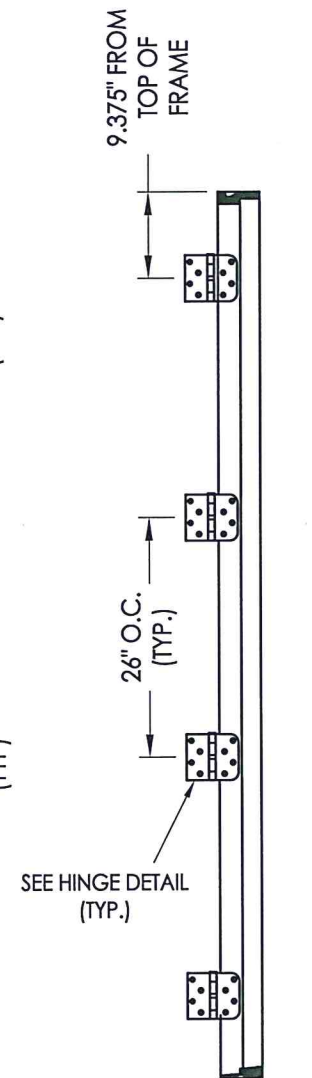
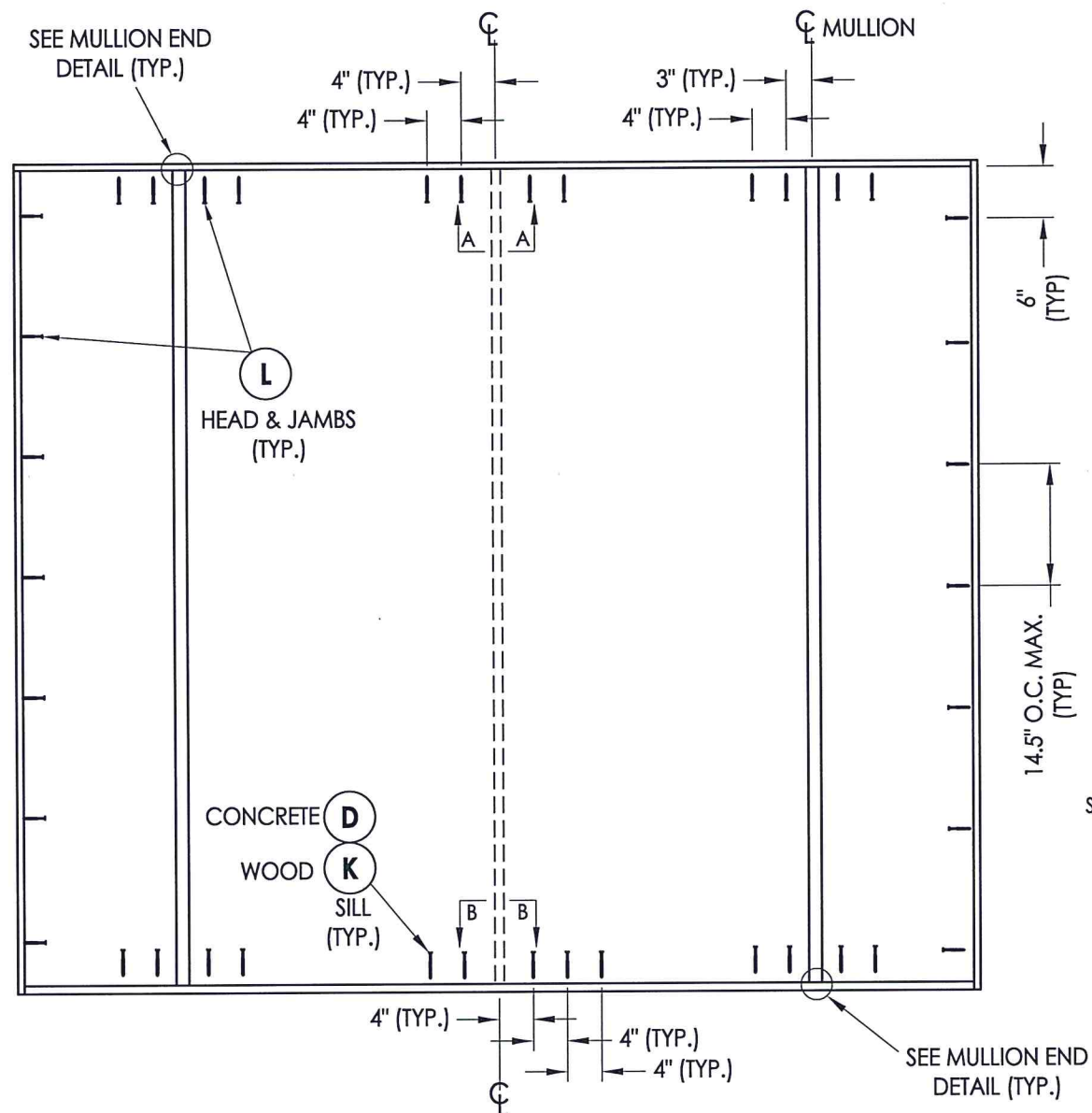


Documents Prepared By: Lyndon F. Schmidt, P.E.
TEXAS P.E. #104123

RW BUILDING CONSULTANTS, INC.
P.O. Box 230 Valrico FL 33595
Phone No.: 813.659.9197

CERTIFICATE OF REGISTRATION # F-11852

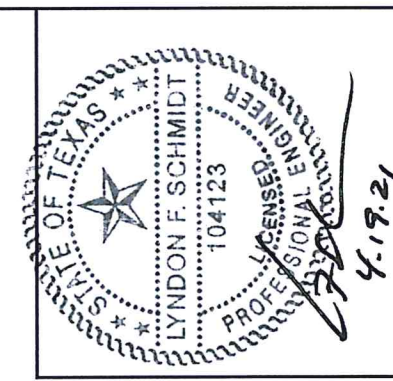
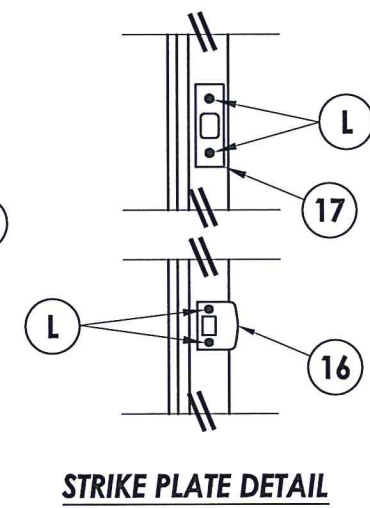
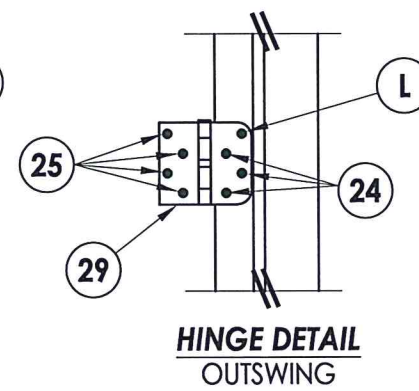
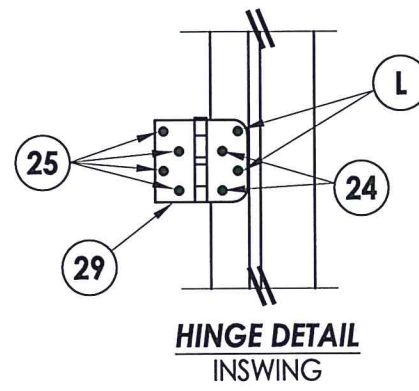
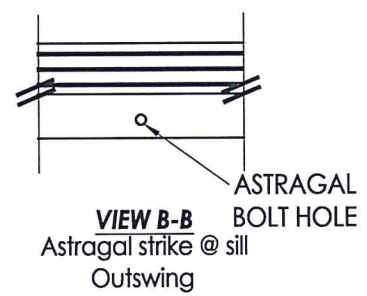
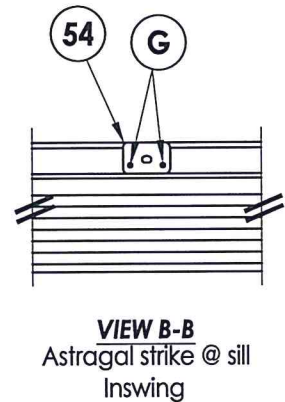
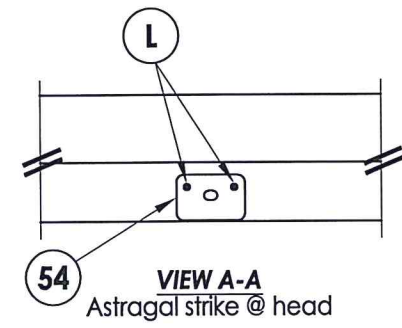
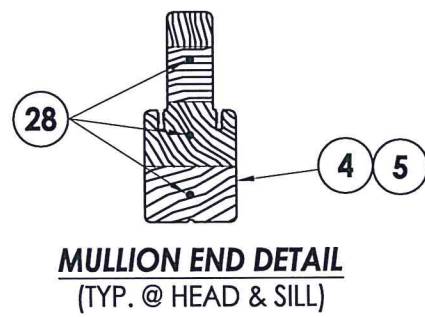
| | |
|---|-----------|
| PRODUCT: TRINITY GLASS INT'L | |
| PART OR ASSEMBLY: VERTICAL CROSS SECTIONS | |
| NO. | DATE |
| BY | REVISIONS |
| DATE: 4/15/21 | |
| SCALE: N.T.S. | |
| DWG. BY: RW | |
| CHK. BY: LFS | |
| DRAWING NO.: TX-5174 | |
| SHEET 7 of 10 | |



HINGE JAMB

ASTRAGAL

**OXO
FRAME ANCHORING**



Documents Prepared By: Lyndon F. Schmidt, P.E.
TEXAS P.E. #104123

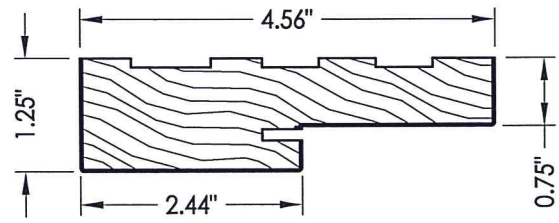
RW BUILDING CONSULTANTS, INC.
P.O. Box 230 Valrico FL 33595
Phone No.: 813.659.9197

CERTIFICATE OF REGISTRATION # F-11852

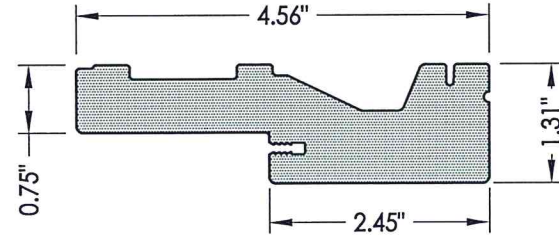
| | |
|-------------------|---------------------|
| PRODUCT: | TRINITY GLASS INT'L |
| PART OR ASSEMBLY: | FRAME ANCHORING |

| NO. | DATE | BY | REVISIONS |
|-----|------|----|-----------|
| | | | |
| | | | |
| | | | |
| | | | |

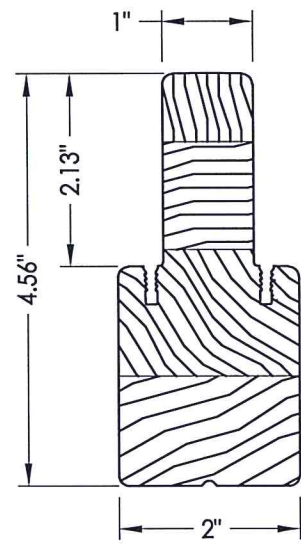
DATE: 4/15/21
SCALE: N.T.S.
DWG. BY: RW
CHK. BY: LFS
DRAWING NO.: TX-5174
SHEET 8 OF 10



1 HEAD & JAMBS
FINGER JOINT PINE

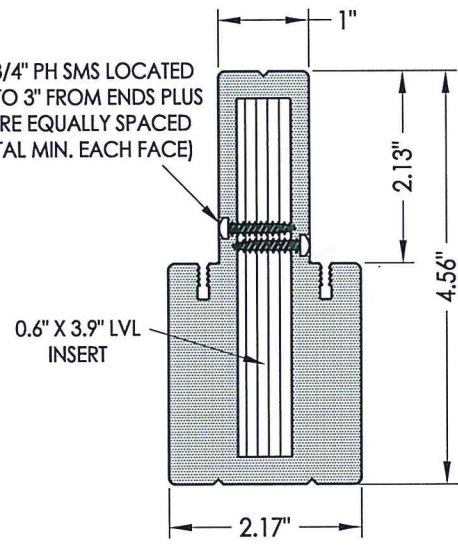


2 HEAD & JAMBS
PVC

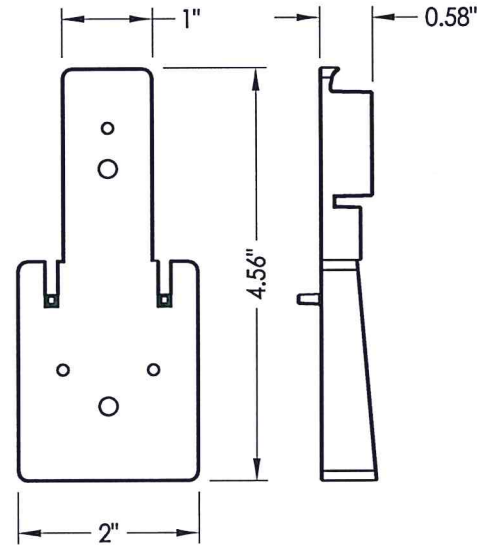


4 INTEGRAL MULLION
PINE

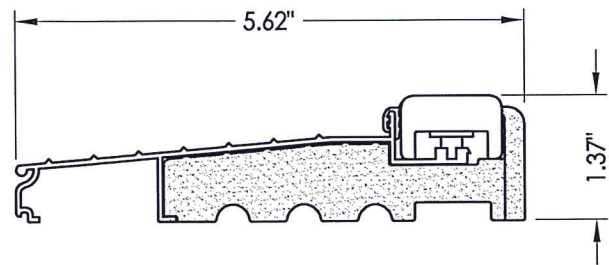
#8 X 3/4" PH SMS LOCATED
1-1/2" TO 3" FROM ENDS PLUS
5 MORE EQUALLY SPACED
(7 TOTAL MIN. EACH FACE)



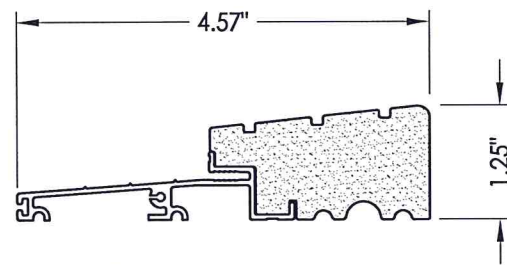
5 INTEGRAL MULLION
PVC/LVL



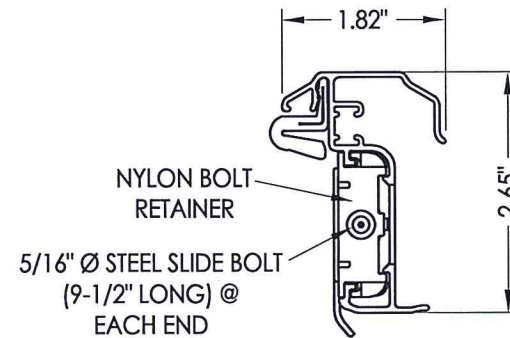
6 INTEGRAL MULLION BASE KIT
Optional



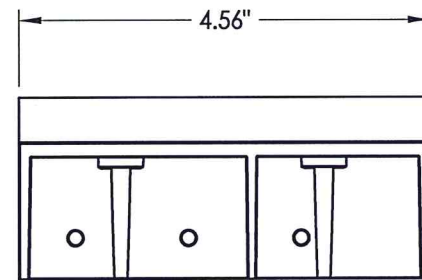
31 INSWING THRESHOLD



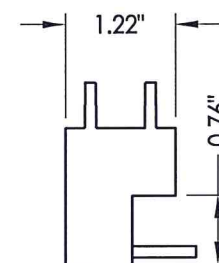
33 OUTSWING THRESHOLD
High-dam



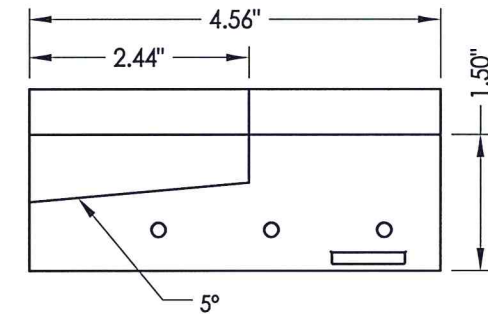
53 ULTIMATE HURRICANE ASTRAGAL
Endura Products



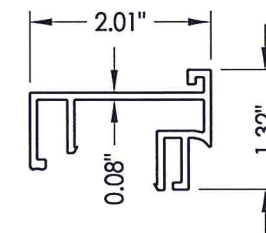
SILLKEY (LEFT)



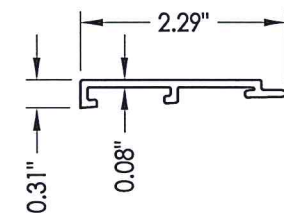
SILLKEY (RIGHT)



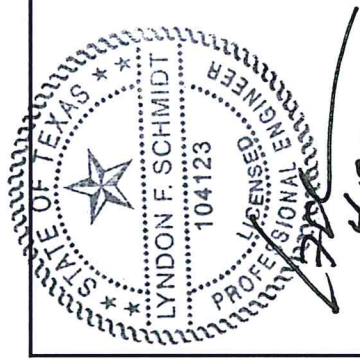
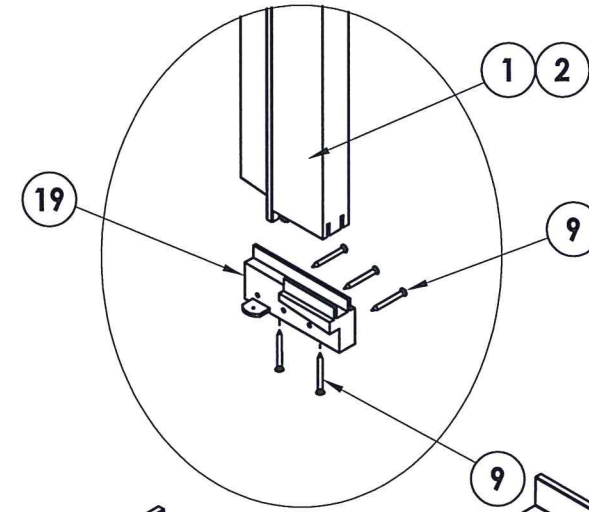
19 SILLKEY DETAILS
Optional



32 SIDELITE SPACER
Inswing



34 SIDELITE SPACER
Outswing



Documents Prepared By: Lyndon F. Schmidt, P.E.
TEXAS P.E. #104123

RW BUILDING CONSULTANTS, INC.
P.O. Box 230 Valrico FL 33595
Phone No.: 813.659.9197

CERTIFICATE OF REGISTRATION # F-11852

| | |
|------------------------------|---------------|
| PRODUCT: TRINITY GLASS INT'L | |
| PART OR ASSEMBLY: COMPONENTS | |
| NO. | DATE |
| BY | REVISIONS |
| DATE: 4/15/21 | SCALE: N.T.S. |
| DWG. BY: RW | CHK. BY: LFS |
| DRAWING NO.: TX-5174 | |
| SHEET 9 OF 10 | |

