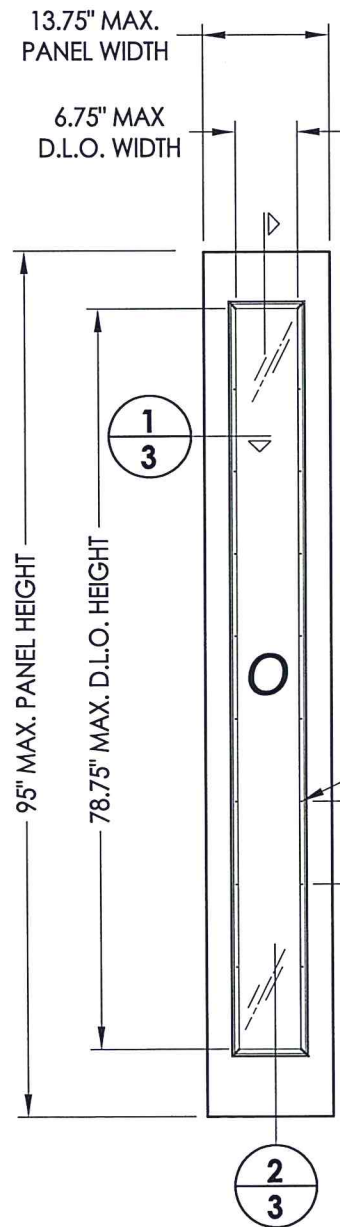
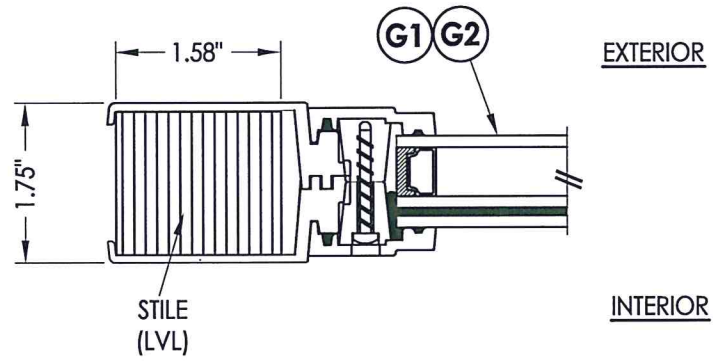


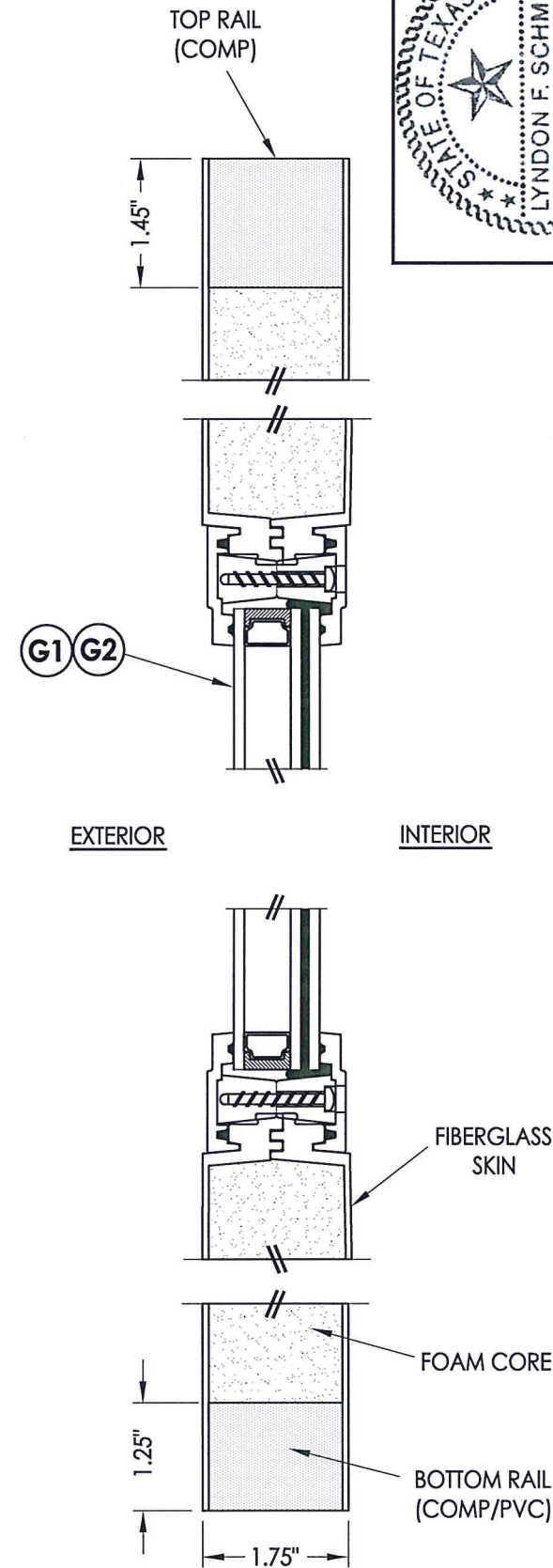
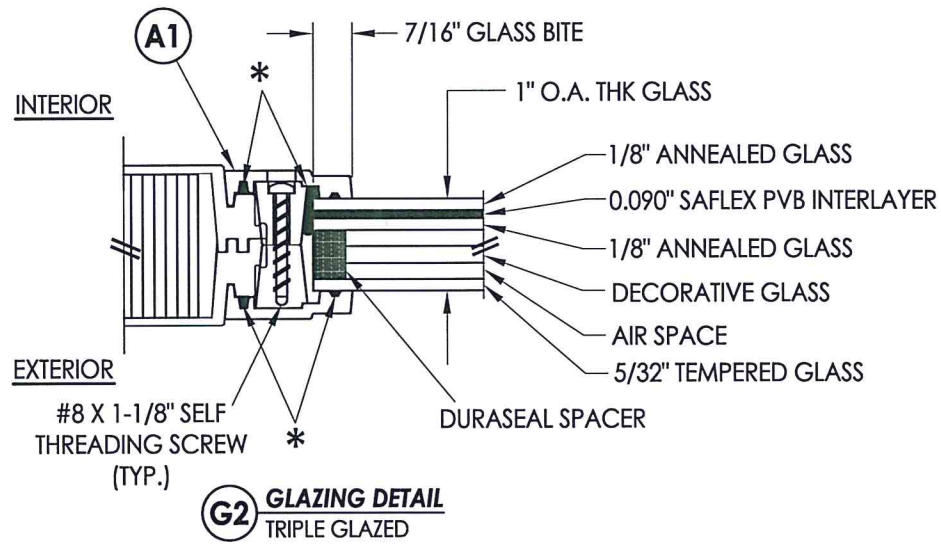
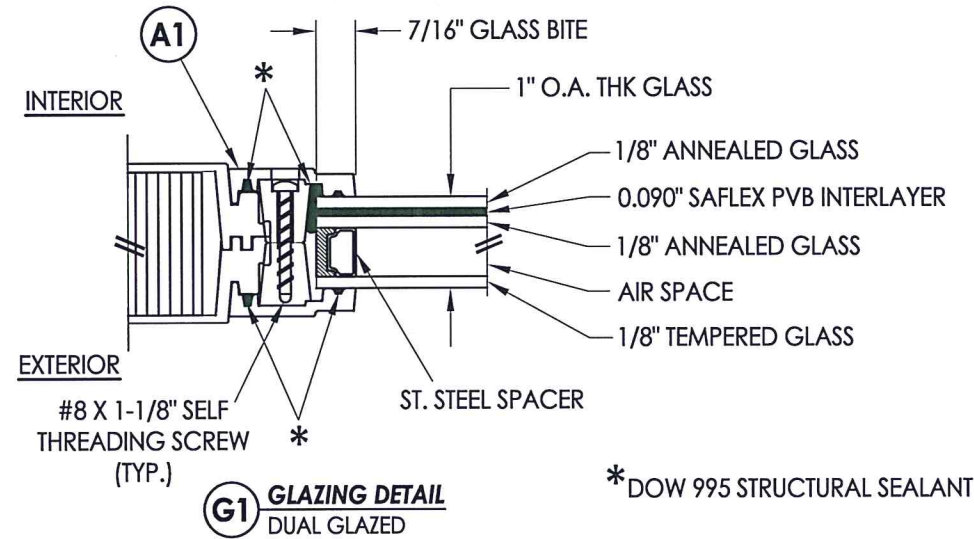
Z:\Clients\Trinity Glass Permanent\B - Texas Dept of Ins\DR-XXX 8-0 OP FG - IMPC - Drawings\TX-5166-68.dwg



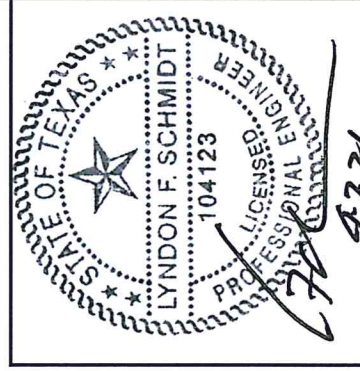
50 SIDELITE PANEL
Fiberglass



1 HORIZONTAL CROSS SECTION



2 VERTICAL CROSS SECTION



Documents Prepared By: Lyndon F. Schmidt, P.E.
TEXAS P.E. #104123

RW BUILDING CONSULTANTS, INC.
P.O. Box 230 Valrico FL 33595
Phone No.: 813.659.9197

PRODUCT: TRINITY GLASS INT'L

PART OR ASSEMBLY: DOOR PANEL DETAILS

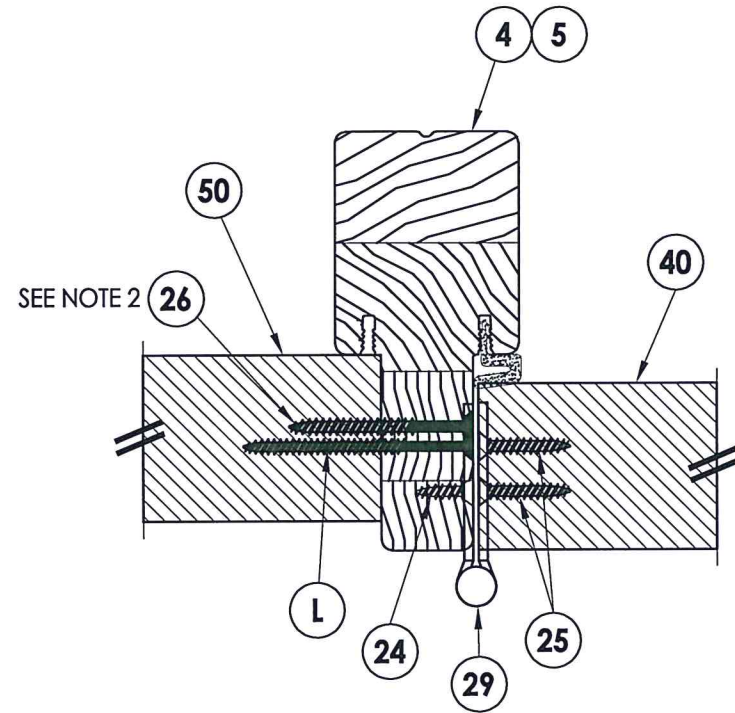
NO.	DATE	BY	REVISIONS

DATE: 3/25/21
SCALE: N.T.S.
DWG. BY: RW
CHK. BY: LFS
DRAWING NO.: TX-5168
SHEET 3 of 10

DOOR SKIN: 0.075" MIN. THK. FIBERGLASS
CORE MATERIAL: POLYURETHANE FOAM

NOTES:

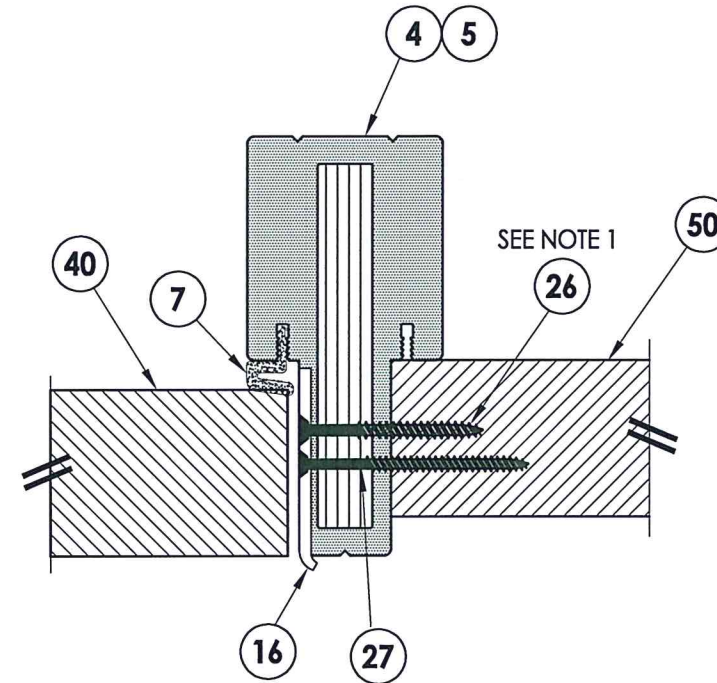
- Item #26 located @ 6", 20" & 34" from the head down and @ 6" & 20" from the sill up (5 screws total).
- Item #26 equally spaced between each hinge (3 total).



1 **HORIZONTAL CROSS SECTION**
6 Outswing shown - Inswing also approved

INTERIOR

EXTERIOR

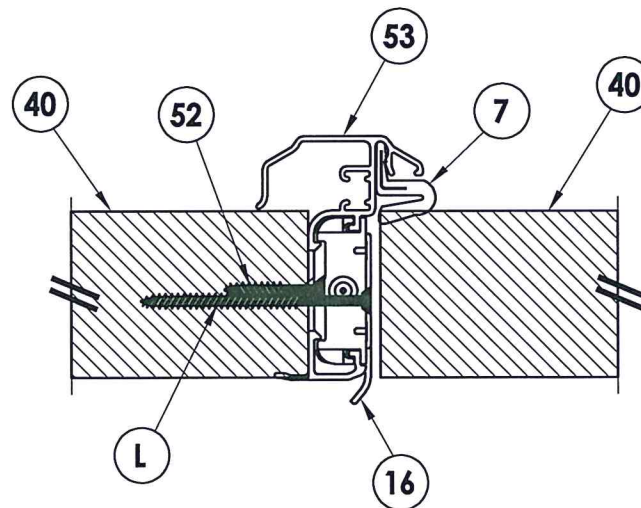


2 **HORIZONTAL CROSS SECTION**
6 Outswing shown - Inswing also approved

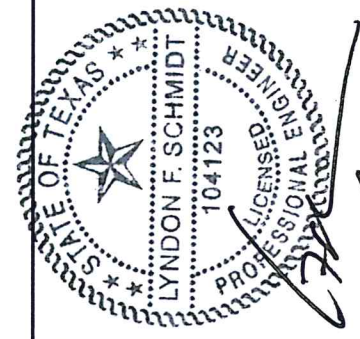
SEE NOTE 1

INTERIOR

EXTERIOR



3 **HORIZONTAL CROSS SECTION**
6 Outswing shown - Inswing also approved



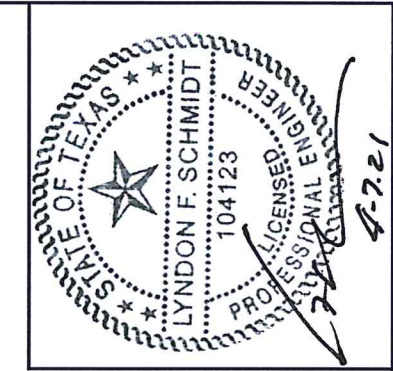
Documents Prepared By: Lyndon F. Schmidt, P.E.
 TEXAS P.E. #104123

RW BUILDING CONSULTANTS, INC.
 P.O. Box 230 Valrico FL 33595
 Phone No.: 813.659.9197

CERTIFICATE OF REGISTRATION # F-11852

PRODUCT: TRINITY GLASS INT'L	
PART OR ASSEMBLY: HORIZONTAL CROSS SECTIONS	
NO.	DATE
BY	
REVISIONS	
DATE: 3/25/21	
SCALE: N.T.S.	
DWG. BY: RW	
CHK. BY: LFS	
DRAWING NO.: TX-5168	
SHEET 6 OF 10	

BILL OF MATERIALS		
ITEM #	DESCRIPTION	MATERIAL
A	2X FRAMING (SG >= 0.42)	WOOD
C	1/4" MAX. SHIM SPACE	-
D	1/4" FH DeWALT OR ITW CONCRETE SCREW (1-3/4" MIN. EMBEDMENT)	STEEL
K	#10 FH WOOD SCREW (1-3/4" MIN. EMBEDMENT)	STEEL
L	#10 X 2-1/2" PFH WS (1.15" MIN. EMBEDMENT)	STEEL
1	HEAD & JAMB (FINGER JOINT PINE: SG >= 0.42)	WOOD
2	HEAD & JAMB	PVC
4	INTEGRAL MULLION (PINE: SG >= 0.42)	WOOD
5	INTEGRAL MULLION (PVC)	PVC
6	INTEGRAL MULLION BASE KIT	ABS
7	WEATHERSTRIP	FOAM
8	DOOR BOTTOM SWEEP	PVC
9	#6 X 1-1/4 PFH DRYWALL SCREW	STEEL
11	#9 X 2-1/4" PFH WOOD SCREW	STEEL
16	LATCH STRIKE PLATE	STEEL
17	DEADBOLT STRIKE PLATE	STEEL
18	DEADBOLT SUB-STRIKE PLATE	STEEL
19	SILLKEY	ABS
24	#9 X 3/4" PFH WS	STEEL
25	#9 X 1" PFH WS	STEEL
26	#10 X 2" PFH WS	STEEL
27	#8 X 2-1/2" PFH WOOD SCREW	STEEL
28	#10 X 3" PFH WOOD SCREW	STEEL
29	4" X 4" HINGE	STEEL
31	INSWING THRESHOLD ALUMINUM w/ COMPOSITE SUBSTRATE	ALUM/ COMP
32	SIDELITE SPACER - INSWING	PVC
33	OUTSWING HIGH - DAM THRESHOLD ALUMINUM w/ COMPOSITE SUBSTRATE	ALUM/ COMP
34	SIDELITE SPACER - OUTSWING	PVC
40	DOOR PANEL	-
50	SIDELITE PANEL	-
52	#8 X 1" FH WOOD SCREW	STEEL
53	ENDURA ULTIMATE HURRICANE ASTRAGAL	ALUM
54	ASTRAGAL STRIKE PLATE	STEEL



Documents Prepared By: Lyndon F. Schmidt, P.E.
 TEXAS P.E. #104123

RW BUILDING CONSULTANTS, INC.
 P.O. Box 230 Valrico FL 33595
 Phone No.: 813.659.9197

CERTIFICATE OF REGISTRATION # F-11852

PRODUCT: TRINITY GLASS INT'L

PART OR ASSEMBLY: BILL OF MATERIALS

NO.	DATE	BY	REVISIONS

DATE: 3/25/21
 SCALE: N.T.S.
 DWG. BY: RW
 CHK. BY: LFS
 DRAWING NO.: TX-5168
 SHEET 10 OF 10

CONCRETE ANCHOR NOTES:

- Concrete anchor locations at the corners may be adjusted to maintain the min. edge distance to mortar joints.
- Concrete anchor locations noted as "MAX. ON CENTER" must be adjusted to maintain the min. edge distance to mortar joints, additional concrete anchors may be required to ensure the "MAX. ON CENTER" dimension are not exceeded.
- Concrete anchor table:

ANCHOR TYPE	ANCHOR SIZE	MIN. EMBEDMENT	MIN. CLEARANCE TO MASONRY EDGE	MIN. CLEARANCE TO ADJACENT ANCHOR
ITW TAPCON®	1/4"	1-3/4"	2"	4"
DeWALT ULTRACON+®	1/4"	1-3/4"	1"	4"

WOOD SCREW INSTALLATION NOTES:

- Maintain a minimum 5/8" edge distance, 1" end distance, & 1" o.c. spacing of wood screws to prevent the splitting of wood.