

Z:\Clients\Therma Tru PERMANENT\B - Texas Dept of Ins\TDI - DR XXX - 6'8, 7' & 8' CC Glazed FG NonImp IS Dir Set Sidelites (TX 5152-5157)\C - Drawings\TX-5160-61.dwg

# THERMA TRU® DOORS

Classic-Craft®

## GLAZED FIBERGLASS SINGLE DOOR w/ DIRECT SET SIDELITE(S)

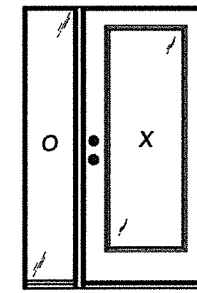
IN SWING  
"NON-IMPACT"

### EVALUATED FOR USE IN THE STATE OF TEXAS

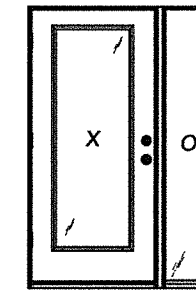
The Fiberglass Door system described herein complies with the 2018 International Residential Code (IRC), Sections R301 & R609 and the 2018 International Building Code (IBC), Sections 1404.13, 1609, 1709.5, 2403 and 2404 subject to the following conditions:

1. Anchors shall be as listed and spaced as shown in the details. Anchor embedment to base material shall be beyond wall dressing or stucco.
2. When used in areas requiring wind-borne debris protection this product is required to be protected with an impact resistant covering that complies with Section R301.2.1.2 of the IRC and Section 1609.1.2 of the IBC.
3. Allowable design pressure requirements must be equal to or less than the design pressure rating shown in the design pressure chart, sheet 1 of this drawing.
4. Conditions not covered by this drawing are subject to further engineering analysis.

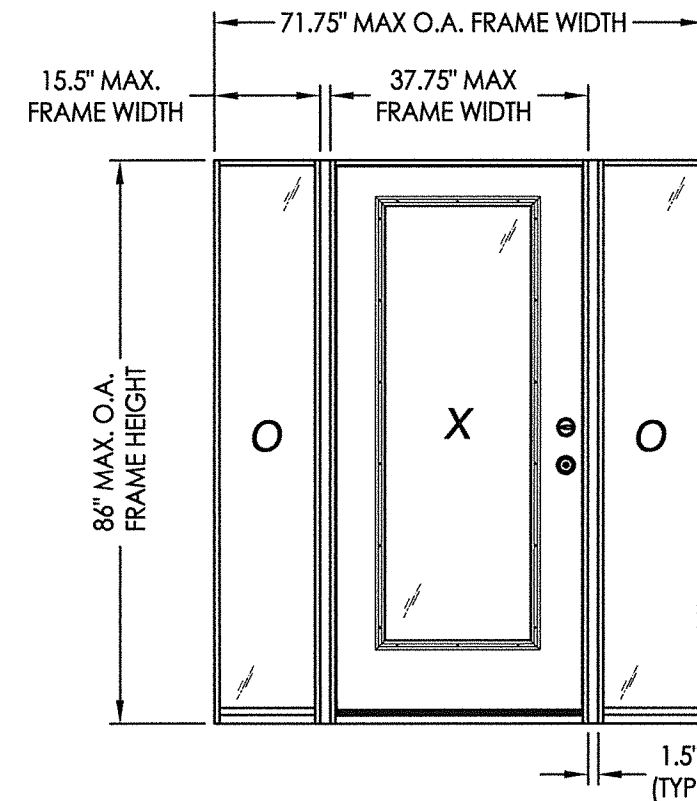
TABLE OF CONTENTS			
SHEET #	DESCRIPTION	SHEET #	
1	Typical Elevations, Design Pressures & General Notes	6	Vertical Cross Sections
2	Door Panel Details	7	Frame Anchoring
3	Sidelite Panel Details	8	Hardware Details
4	Elevations	9	Glazing Details
5	Horizontal Cross Sections	10	Bill of Materials & Components



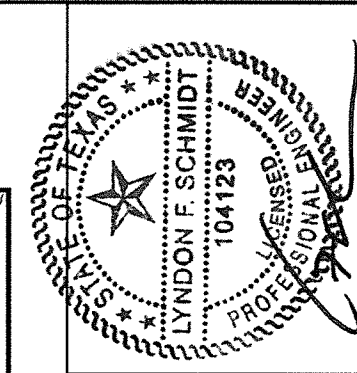
OX



XO



CONFIGURATION	2X REINFORCEMENT REQUIRED	DESIGN PRESSURE (PSF) w/ FJ PINE JAMBS		DESIGN PRESSURE (PSF) w/ COMPOSITE JAMBS	
		POSITIVE	NEGATIVE	POSITIVE	NEGATIVE
XO, OX, OXO	NO	+40.0	-45.0	+40.0	-45.0
	YES	+40.0	-45.0	+40.0	-45.0



3.4.21

Documents Prepared By: Lyndon F. Schmidt, P.E.  
TEXAS P.E. #104123

RW BUILDING CONSULTANTS, INC.  
P.O. Box 230 Valrico FL 33595  
Phone No.: 813.659.9197

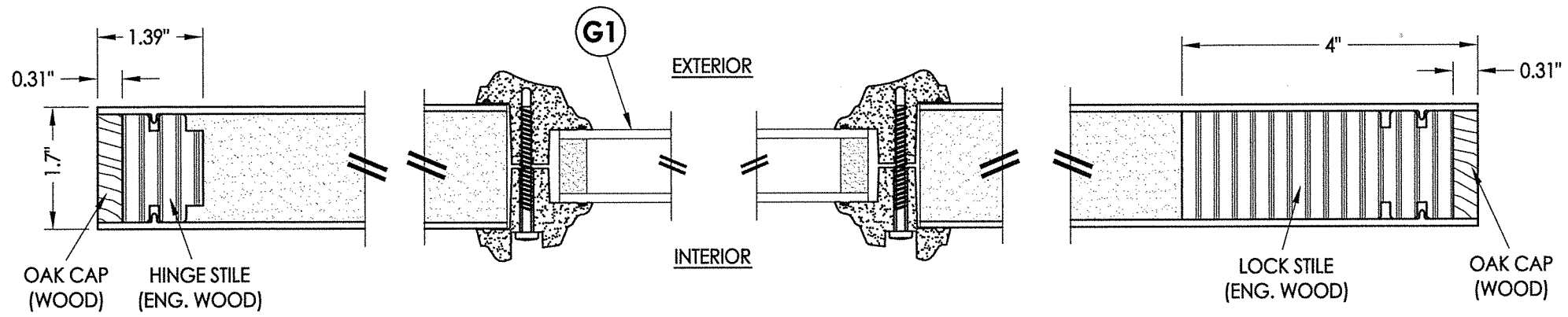
TEXAS BOARD OF PROFESSIONAL ENGINEERS  
CERTIFICATE OF REGISTRATION # F-11852

PRODUCT: THERMA-TRU FIBERGLASS DOOR  
PART OR ASSEMBLY: TYPICAL ELEVATION, DESIGN PRESSURES & GENERAL NOTES

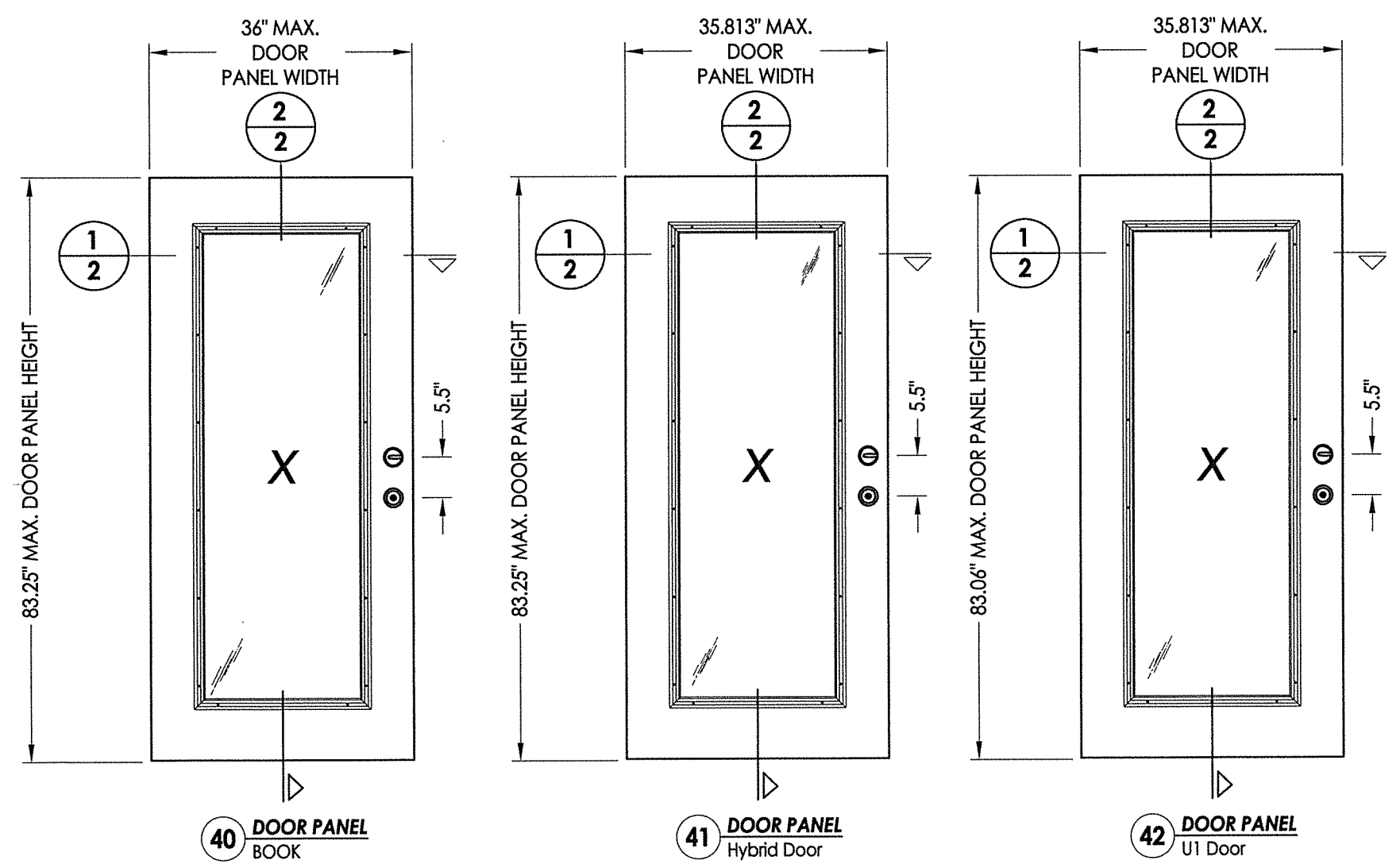
NO.	DATE	BY	REVISIONS

DATE: 1/06/21  
SCALE: N.T.S.  
DWG. BY: RW  
CHK. BY: LFS  
DRAWING NO.: TX-5160  
SHEET 1 of 10

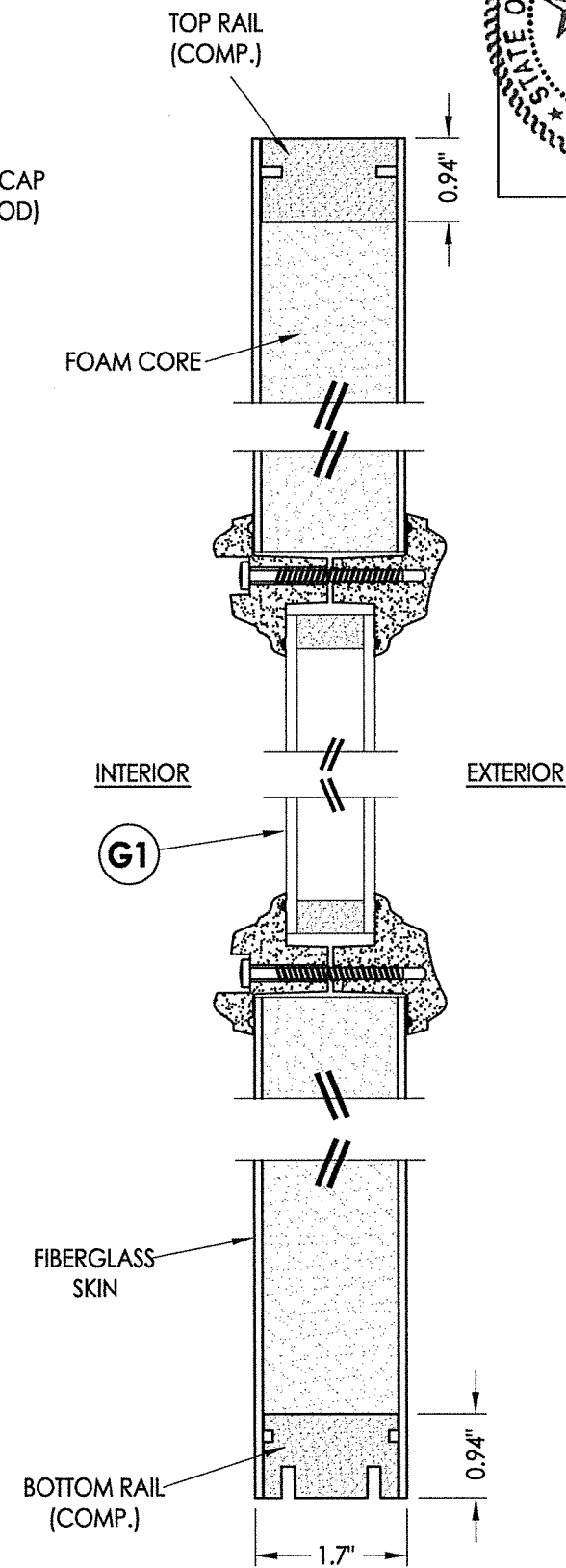
Z:\Clients\Therma Tru PERMANENT\B - Texas Dept of Ins\YDI - DR XXX - 68, 7' & 8' CC Glazed FG NonImp IS Dir Set Sidelites (TX 5152-5157)\C - Drawings\TX-5160-61.dwg



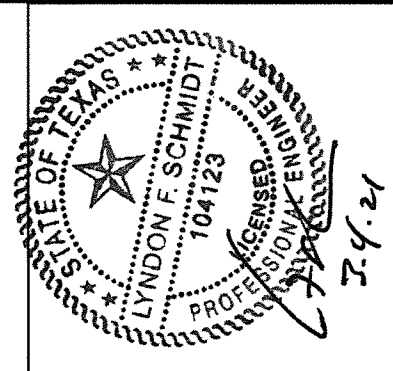
**1**  
**2** HORIZONTAL CROSS SECTION



**"Classic Craft" SERIES DOOR PANEL**  
 FIBERGLASS DOOR SKIN: 0.095" MIN. THK.  
 FOAM CORE: POLYURETHANE FOAM (1.9 PCF MIN.)



**2**  
**2** VERTICAL CROSS SECTION



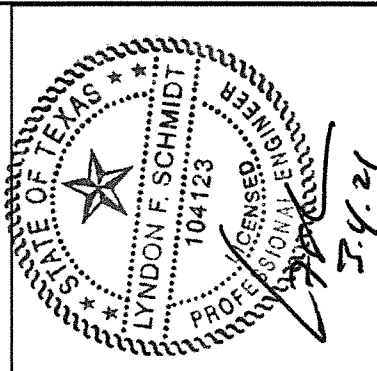
Documents Prepared By: Lyndon F. Schmidt, P.E.  
 TEXAS P.E. #104123  
**RW** BUILDING CONSULTANTS, INC.  
 P.O. Box 230 Valrico FL 33595  
 Phone No.: 813.659.9197  
 TEXAS BOARD OF PROFESSIONAL ENGINEERS  
 CERTIFICATE OF REGISTRATION # F-11852

PRODUCT: THERMA-TRU FIBERGLASS DOOR  
 PART OR ASSEMBLY: DOOR PANEL DETAILS

NO.	DATE	BY

DATE: 1/06/21  
 SCALE: N.T.S.  
 DWG. BY: RW  
 CHK. BY: LFS  
 DRAWING NO.: TX-5160  
 SHEET 2 OF 10

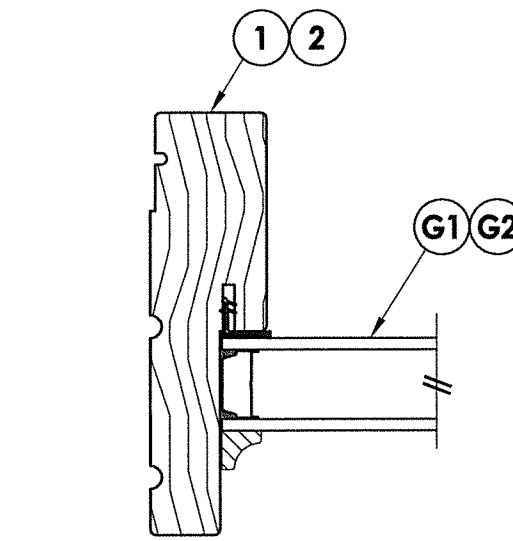
Z:\Clients\Therma Tru PERMANENT\B - Texas Dept of Ins\TDI - DR XXX - 6'8, 7' & 8' CC Glazed FG NonImp IS Dir Set Sidelites (TX 5152-5157)\C - Drawings\TX-5160-61.dwg



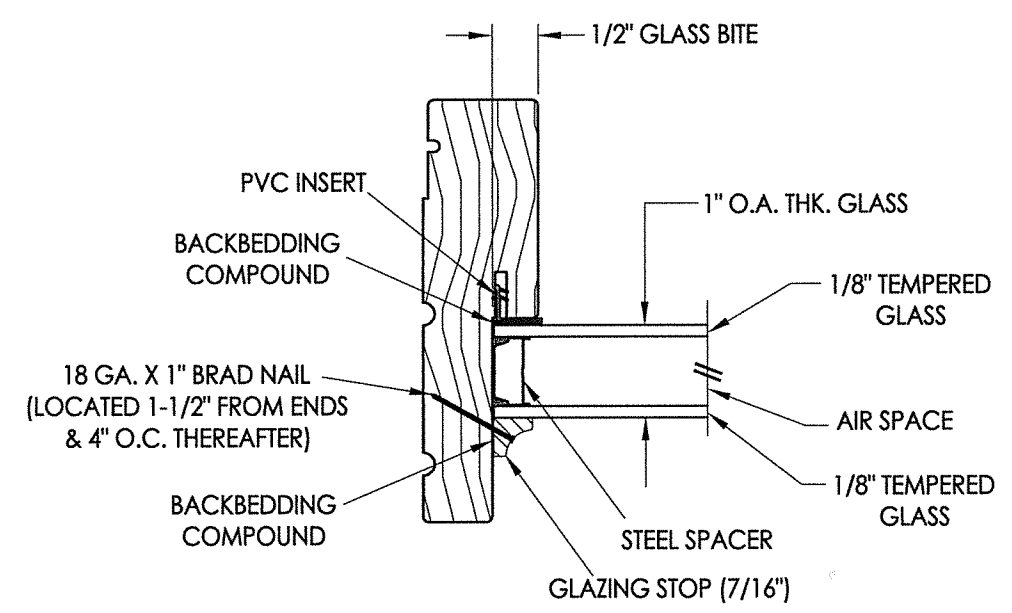
Documents Prepared By: Lyndon F. Schmidt, P.E.  
TEXAS P.E. #104123

**RW** BUILDING CONSULTANTS, INC.  
P.O. Box 230 Valrico FL 33595  
Phone No.: 813.659.9197

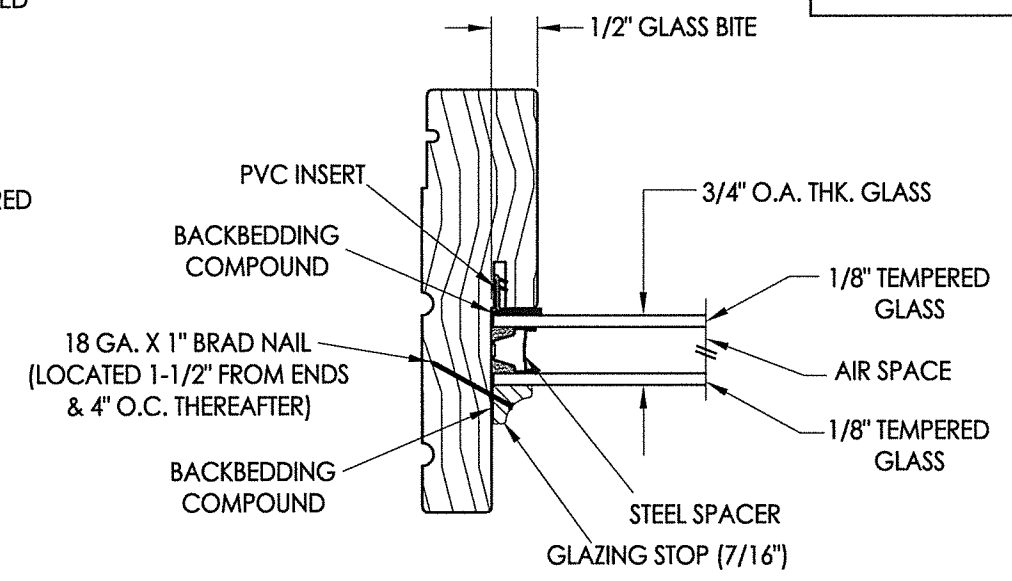
TEXAS BOARD OF PROFESSIONAL ENGINEERS  
CERTIFICATE OF REGISTRATION # F-11852



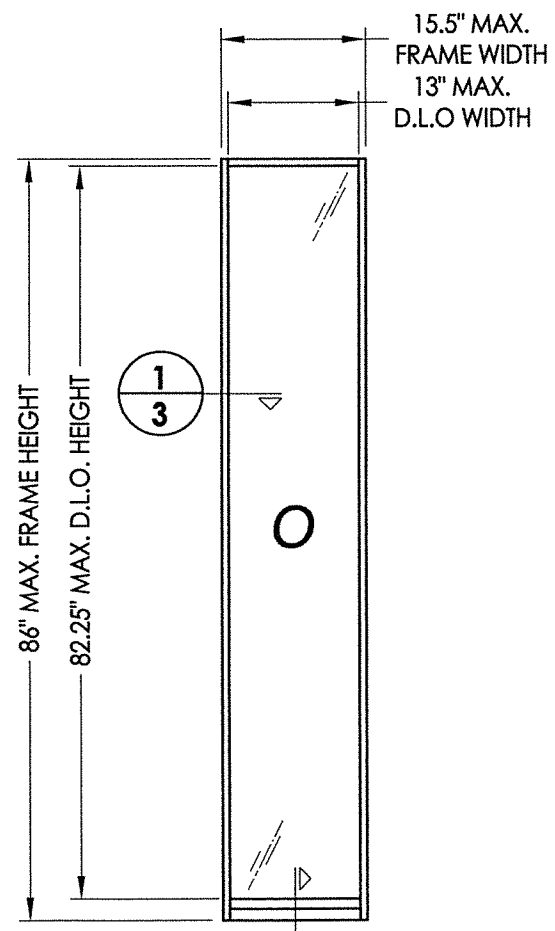
**1**  
**3** HORIZONTAL CROSS SECTION



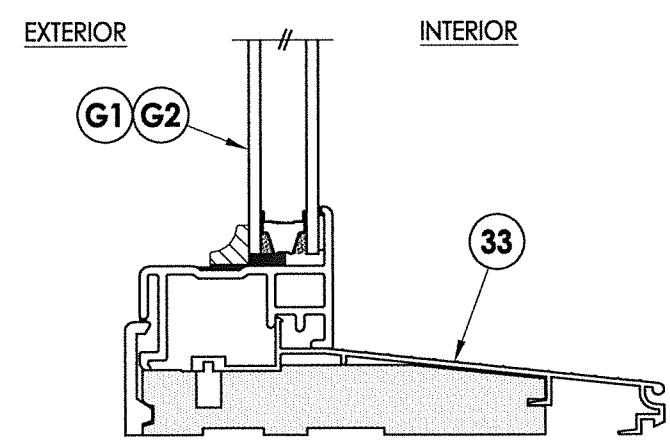
**G1** GLAZING DETAIL  
1" Insulated Glass



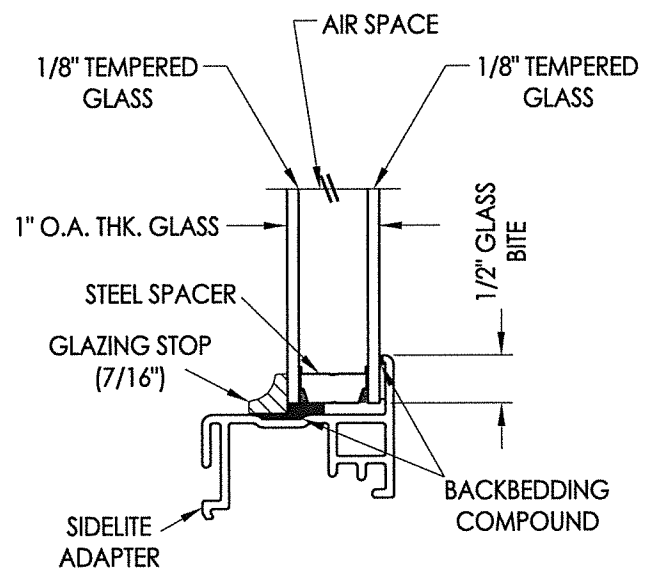
**G2** GLAZING DETAIL  
3/4" Insulated Glass



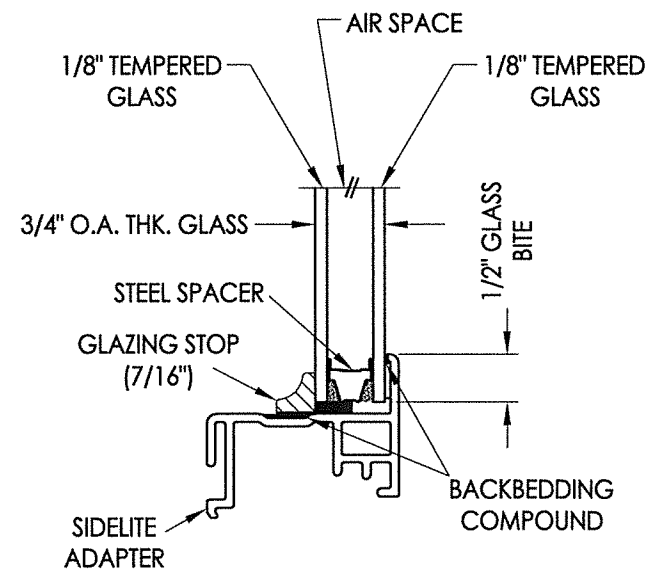
**50** DIRECT SET SIDELITE FRAME



**2**  
**3** VERTICAL CROSS SECTION

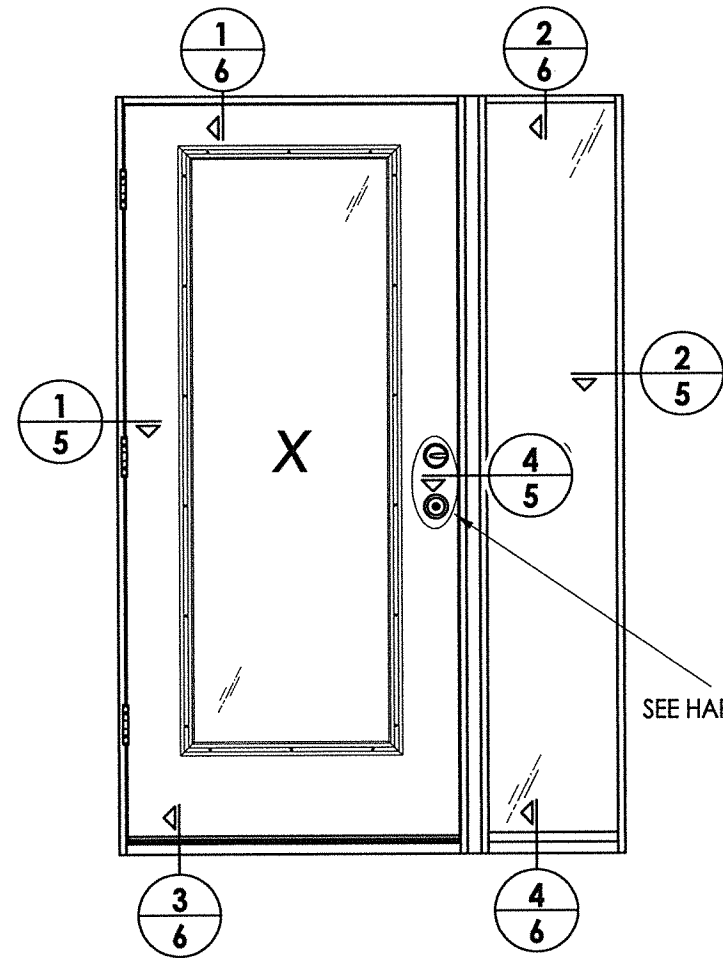


**G1** GLAZING DETAIL  
1" Insulated Glass

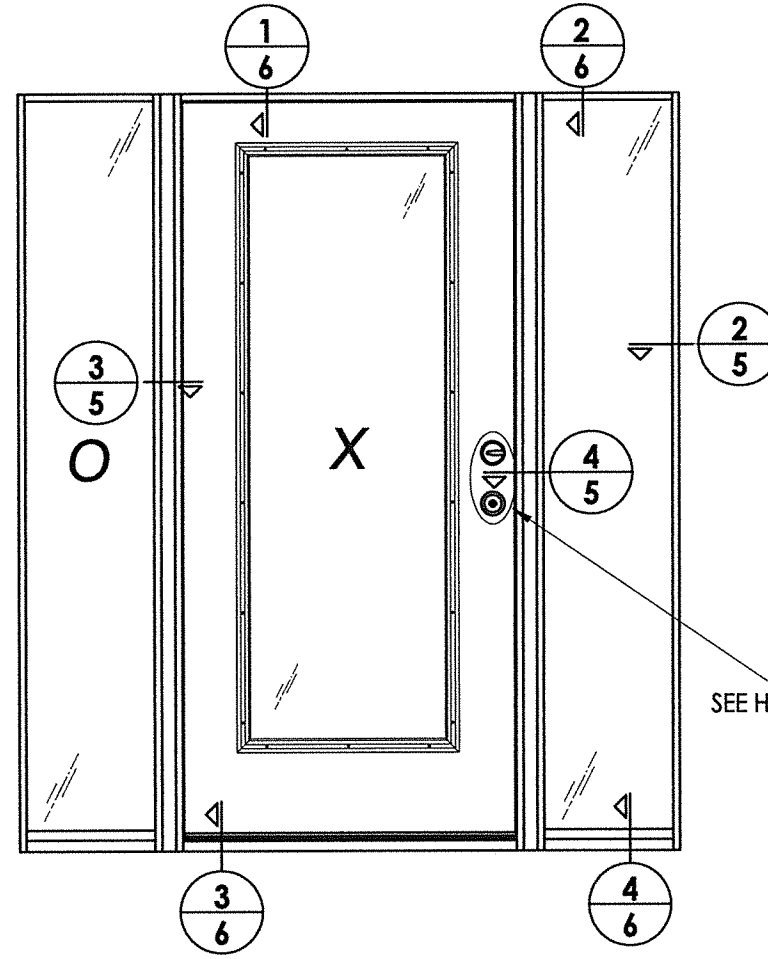


**G2** GLAZING DETAIL  
3/4" Insulated Glass

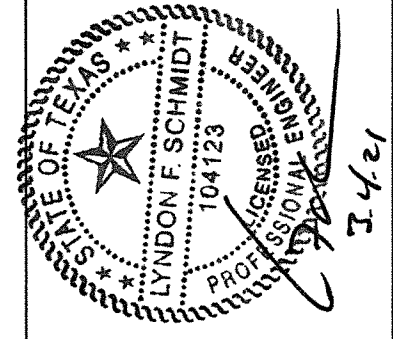
PRODUCT: THERMA-TRU FIBERGLASS DOOR	
PART OR ASSEMBLY: SIDELITE PANEL DETAILS	
NO.	DATE
BY	REVISIONS
DATE: 1/06/21	
SCALE: N.T.S.	
DWG. BY: RW	
CHK. BY: LFS	
DRAWING NO.: TX-5160	
SHEET 3 OF 10	



ELEVATION  
XO



ELEVATION  
OXO



Documents Prepared By: Lyndon F. Schmidt, P.E.  
TEXAS P.E. #104123

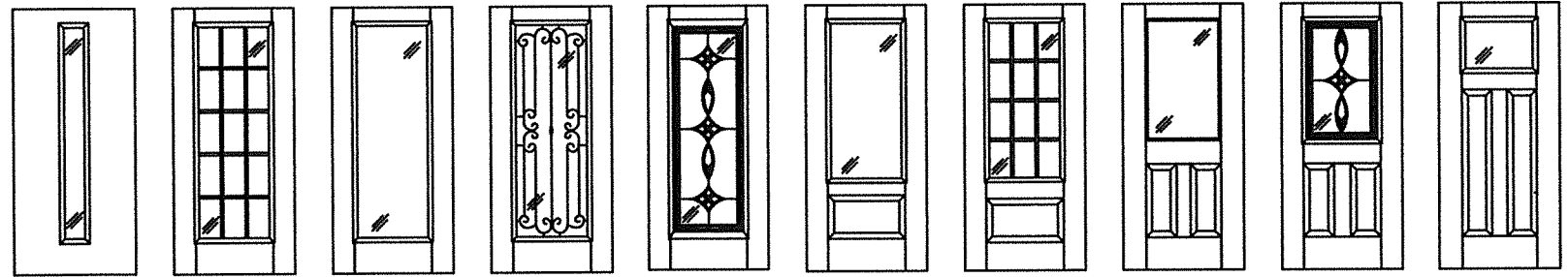
**RW** BUILDING CONSULTANTS, INC.  
P.O. Box 230 Valrico FL 33595  
Phone No.: 813.659.9197

TEXAS BOARD OF PROFESSIONAL ENGINEERS  
CERTIFICATE OF REGISTRATION # F-11852

PRODUCT: THERMA-TRU  
FIBERGLASS DOOR

PART OR ASSEMBLY:  
ELEVATIONS

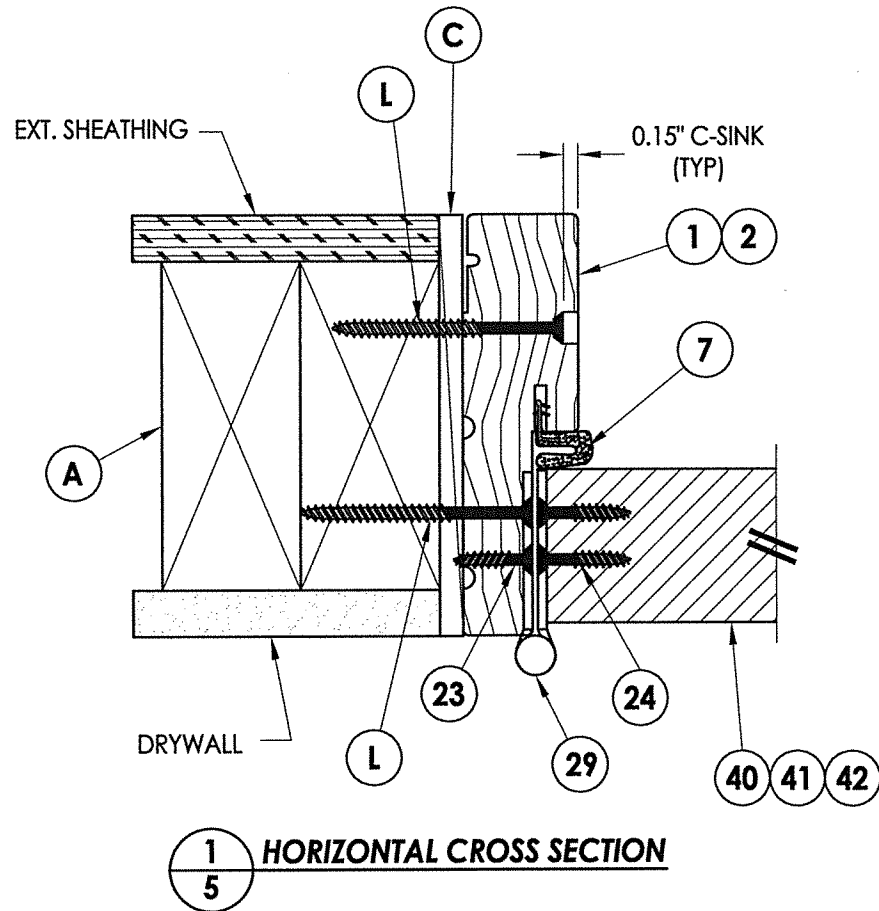
NO.	DATE	BY	REVISIONS



**Fiber-Classic/Smooth-Star Door Panel Options**  
Panel options shown are for illustration and are representative only  
(similar glazed panel configurations are allowed)

HARDWARE TABLE	
MANUFACTURER	MODEL
SCHLAGE	KNOB: F51
	DEADBOLT: B60
KWIKSET	KNOB: SIGNATURE SERIES
	DEADBOLT: SIGNATURE SERIES (980)

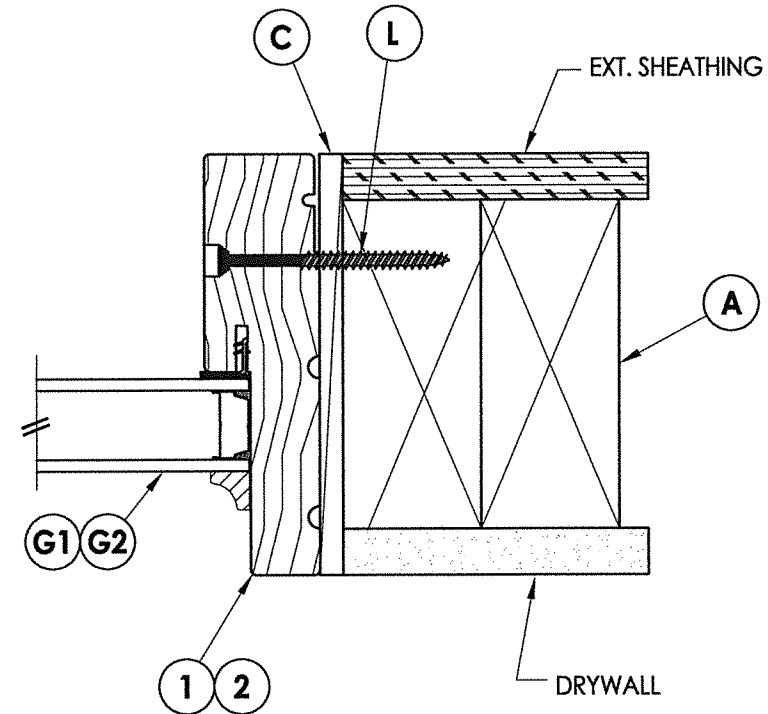
DATE: 1/06/21  
SCALE: N.T.S.  
DWG. BY: RW  
CHK. BY: LFS  
DRAWING NO.: TX-5160  
SHEET 4 OF 10



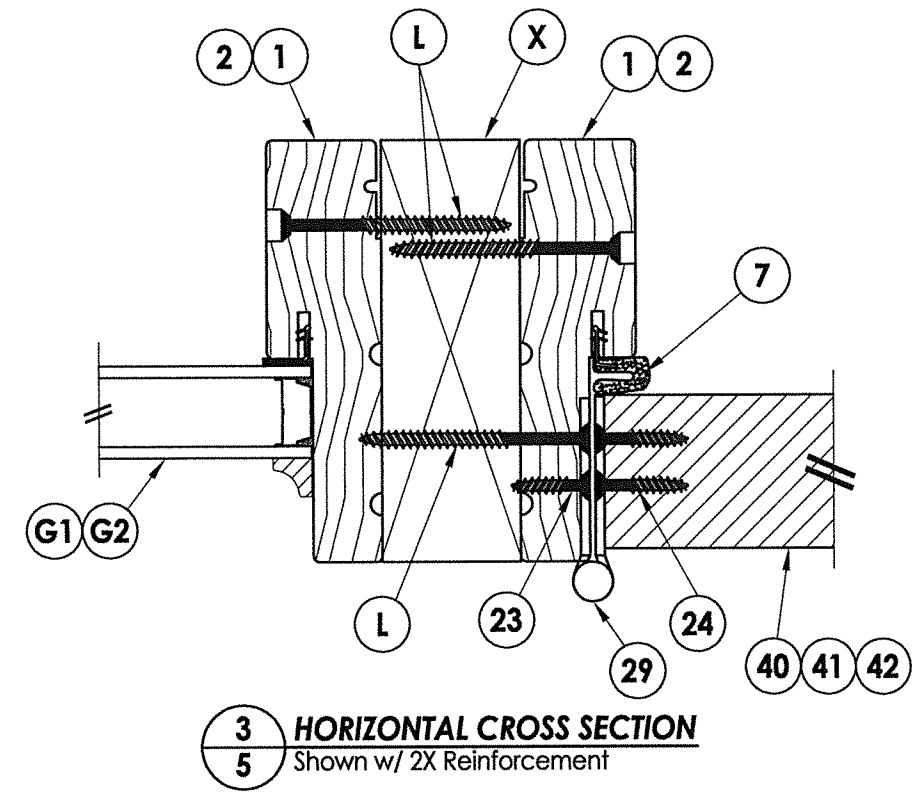
**1**  
**5** HORIZONTAL CROSS SECTION

EXTERIOR

INTERIOR



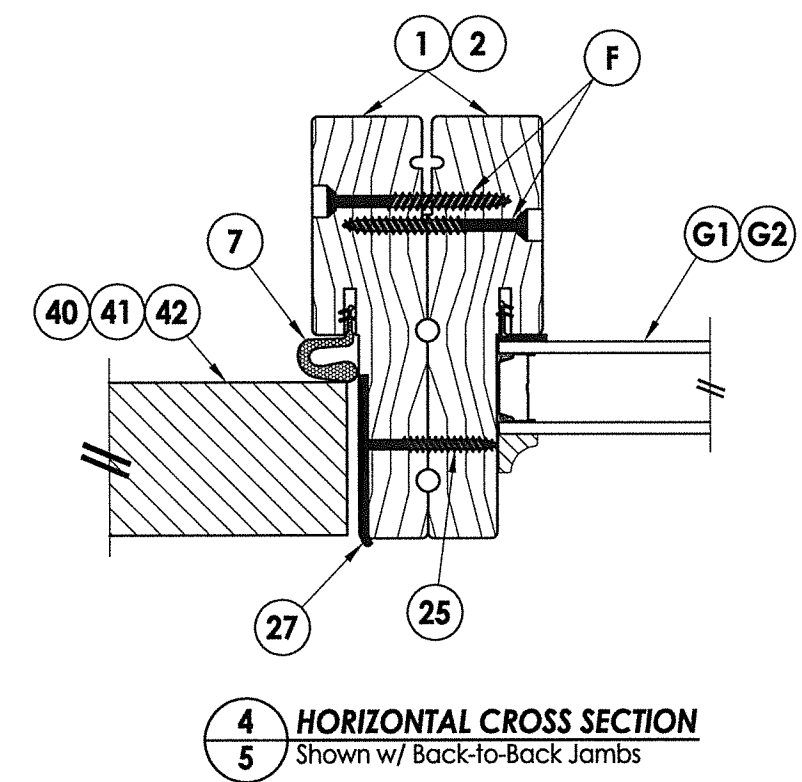
**2**  
**5** HORIZONTAL CROSS SECTION



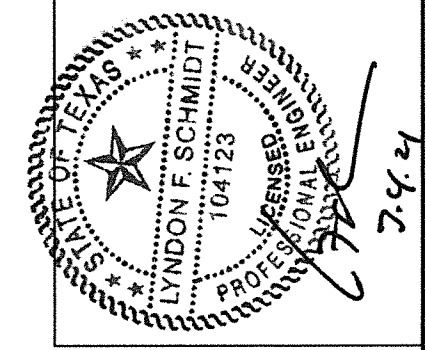
**3**  
**5** HORIZONTAL CROSS SECTION  
Shown w/ 2X Reinforcement

EXTERIOR

INTERIOR



**4**  
**5** HORIZONTAL CROSS SECTION  
Shown w/ Back-to-Back Jambs



Documents Prepared By: Lyndon F. Schmidt, P.E.  
TEXAS P.E. #104123

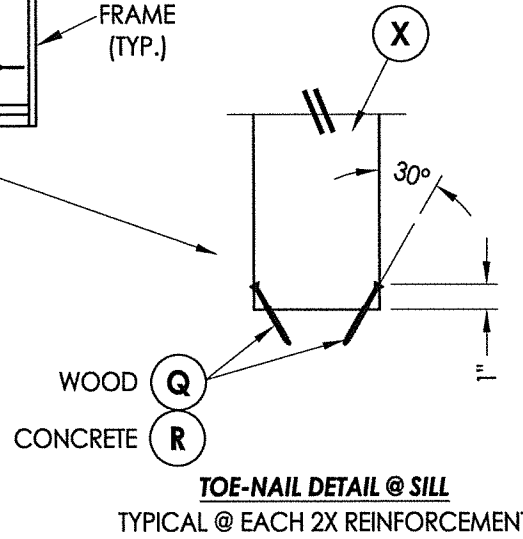
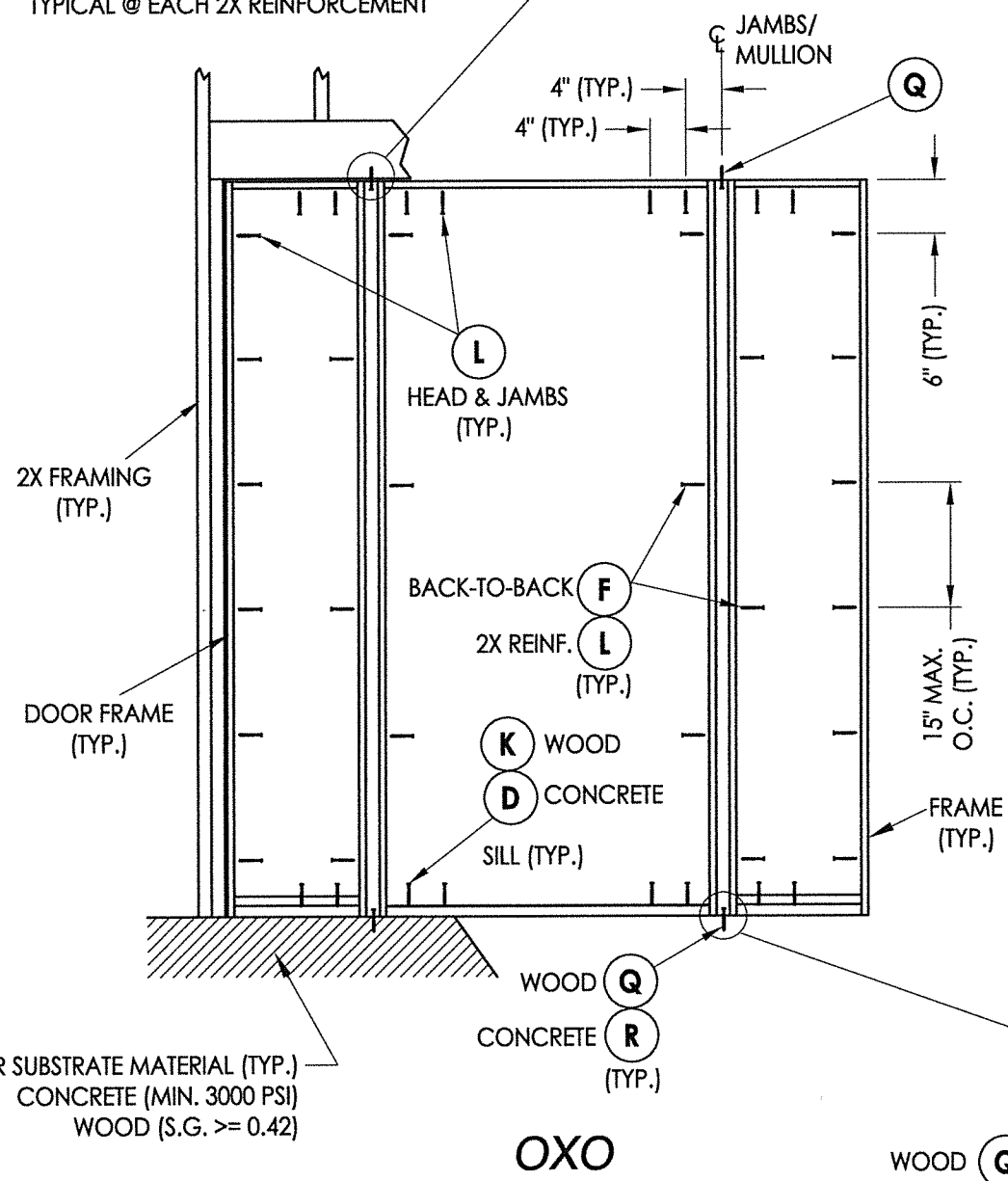
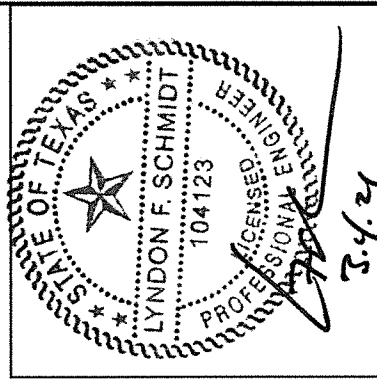
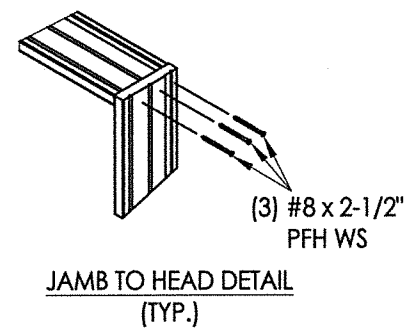
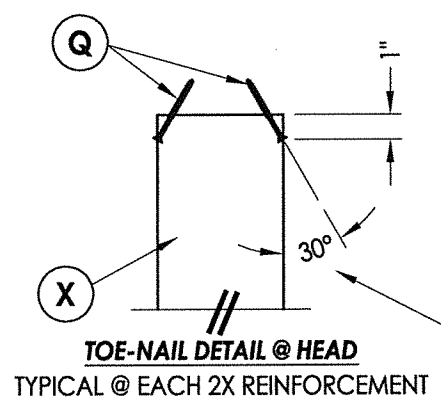
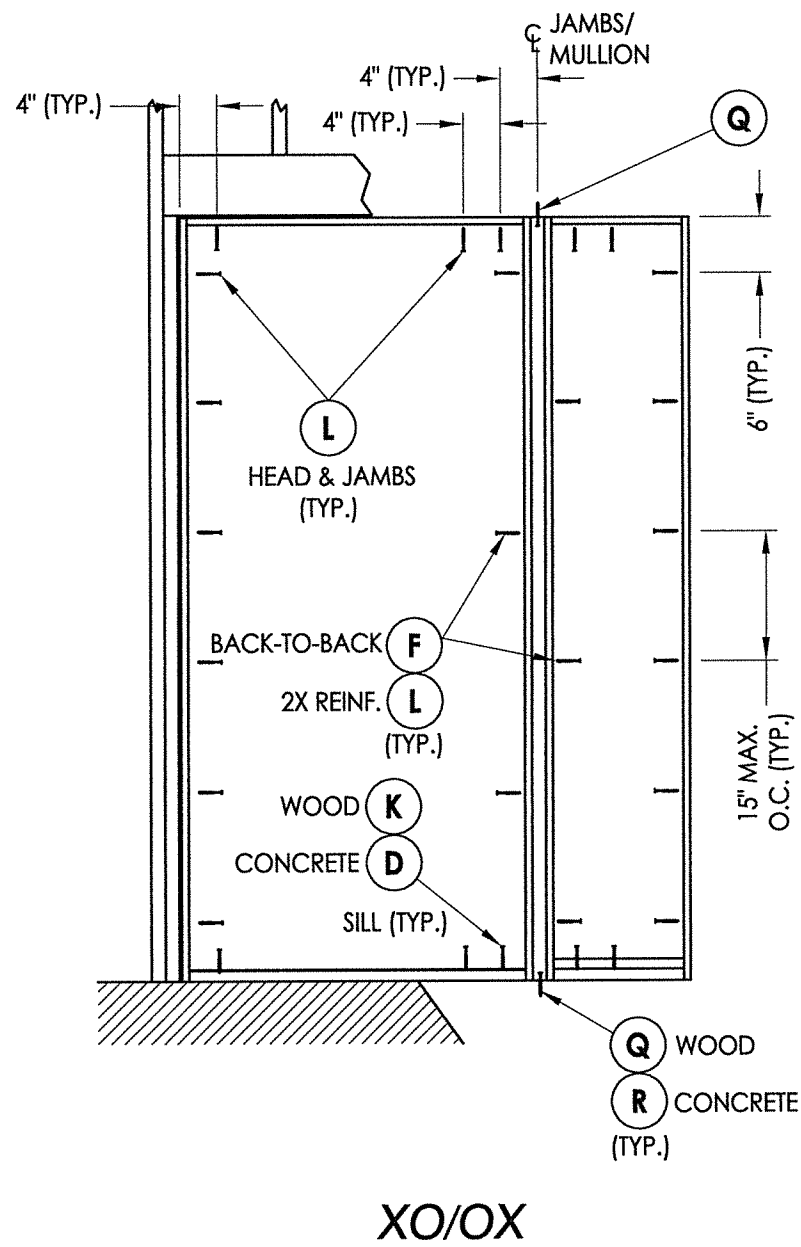
**RW** BUILDING CONSULTANTS, INC.  
P.O. Box 230 Vairico FL 33595  
Phone No.: 813.659.9197  
TEXAS BOARD OF PROFESSIONAL ENGINEERS  
CERTIFICATE OF REGISTRATION # F-11852

PRODUCT: THERMA-TRU  
FIBERGLASS DOOR  
PART OR ASSEMBLY: HORIZONTAL  
CROSS SECTIONS

NO.	DATE	BY

DATE: 1/06/21  
SCALE: N.T.S.  
DWG. BY: RW  
CHK. BY: LFS  
DRAWING NO.: TX-5160  
SHEET 5 OF 10





**FRAME ANCHORING**

FLOOR SUBSTRATE MATERIAL (TYP.)  
 CONCRETE (MIN. 3000 PSI)  
 WOOD (S.G. >= 0.42)

Documents Prepared By: Lyndon F. Schmidt, P.E.  
 TEXAS P.E. #104123

**RW** BUILDING CONSULTANTS, INC.  
 P.O. Box 230 Vairico FL 33595  
 Phone No.: 813.659.9197

TEXAS BOARD OF PROFESSIONAL ENGINEERS  
 CERTIFICATE OF REGISTRATION # F-11852

PRODUCT: THERMA-TRU FIBERGLASS DOOR

PART OR ASSEMBLY: FRAME ANCHORING

NO.	DATE	BY	REVISIONS

DATE: 1/06/21

SCALE: N.T.S.

DWG. BY: RW

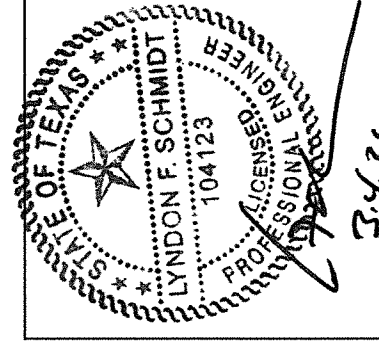
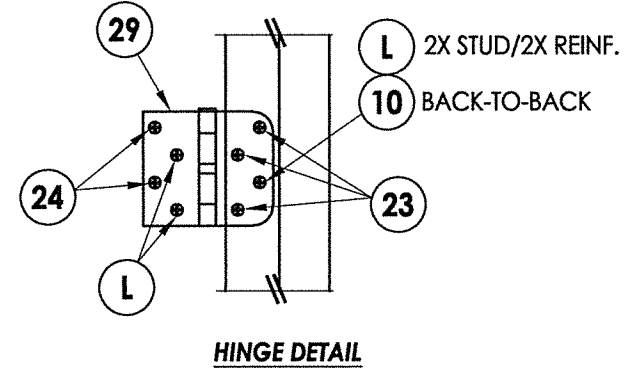
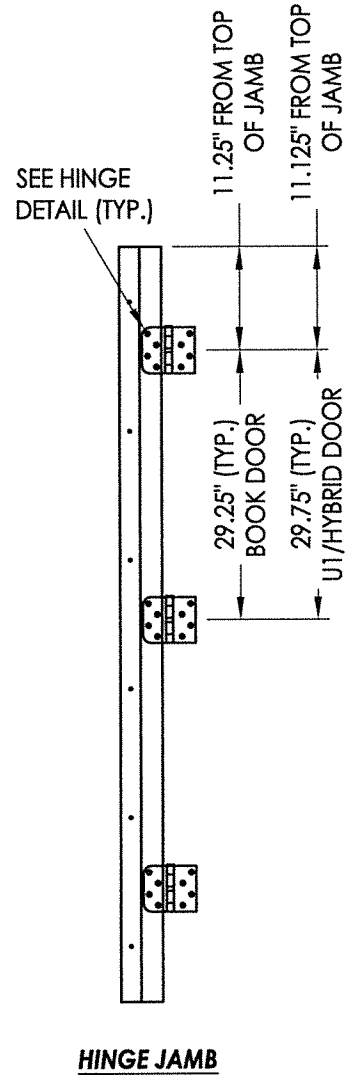
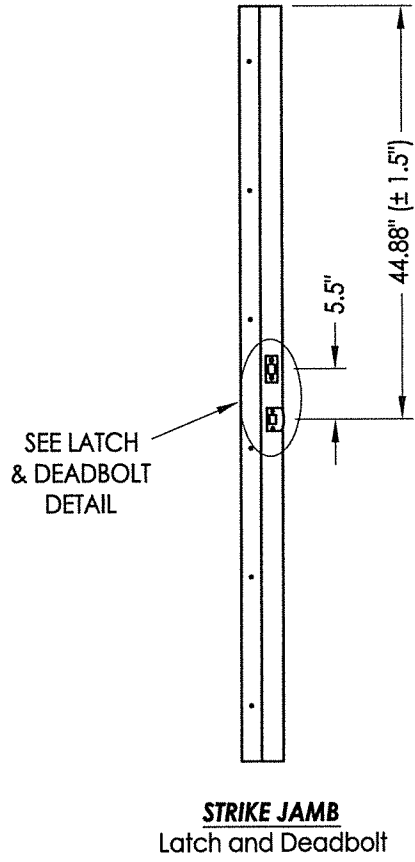
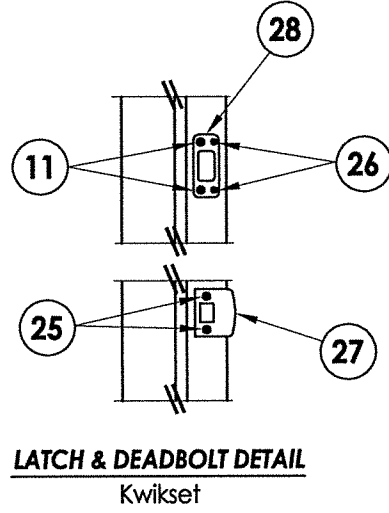
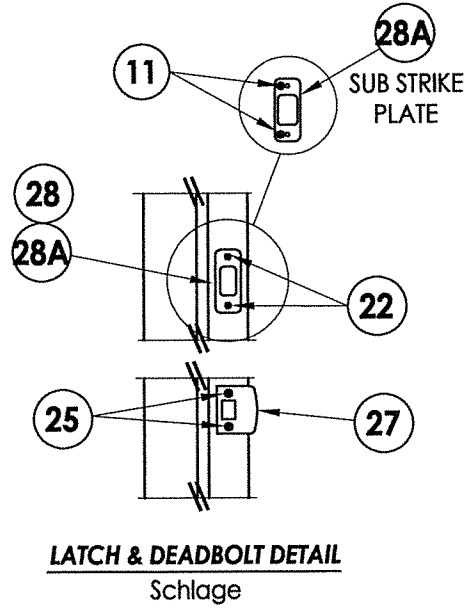
CHK. BY: LFS

DRAWING NO.: TX-5160

SHEET 7 of 10



**LATCH & DEADBOLT STRIKE DETAILS**



Documents Prepared By: Lyndon F. Schmidt, P.E.  
TEXAS P.E. #104123

**RW** BUILDING CONSULTANTS, INC.  
P.O. Box 230 Volrico FL 33595  
Phone No.: 813.659.9197  
TEXAS BOARD OF PROFESSIONAL ENGINEERS  
CERTIFICATE OF REGISTRATION # F-11852

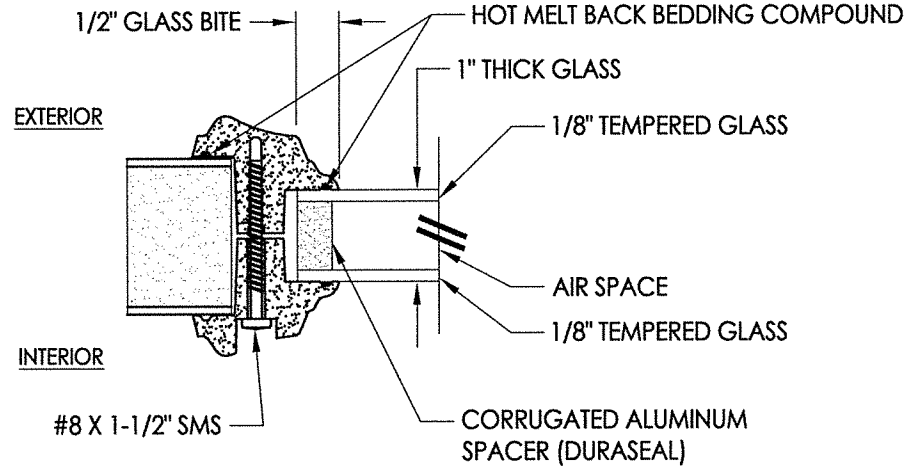
PRODUCT: THERMA-TRU  
FIBERGLASS DOOR

PART OR ASSEMBLY: HARDWARE DETAILS

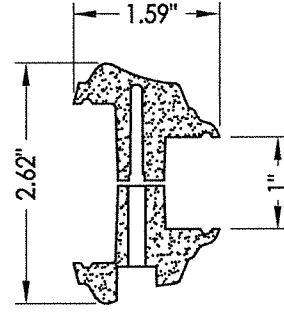
NO.	DATE	BY	REVISIONS

DATE: 1/06/21  
SCALE: N.T.S.  
DWG. BY: RW  
CHK. BY: LFS  
DRAWING NO.: TX-5160  
SHEET 8 OF 10

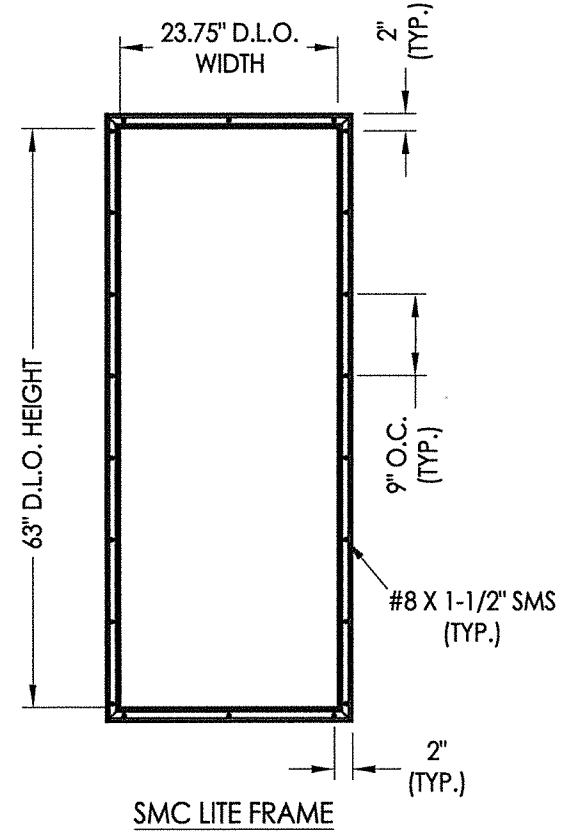




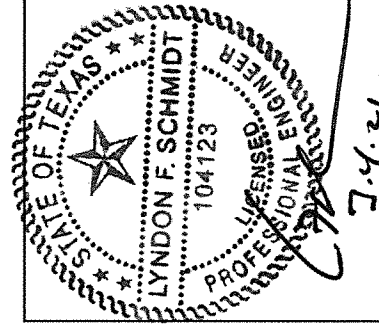
**G1** **GLAZING DETAIL**  
SMC LIP LITE FRAME



**SMC FULL LITE FRAME**



**SMC LITE FRAME**



Documents Prepared By: Lyndon F. Schmidt, P.E.  
TEXAS P.E. #104123

**RW** BUILDING CONSULTANTS, INC.  
P.O. Box 230 Valrico FL 33595  
Phone No.: 813.659.9197

TEXAS BOARD OF PROFESSIONAL ENGINEERS  
CERTIFICATE OF REGISTRATION # F-11852

PRODUCT: THERMA-TRU  
FIBERGLASS DOOR

PART OR ASSEMBLY:  
GLAZING DETAILS

NO.	DATE	BY

DATE: 1/06/21

SCALE: N.T.S.

DWG. BY: RW

CHK. BY: LFS

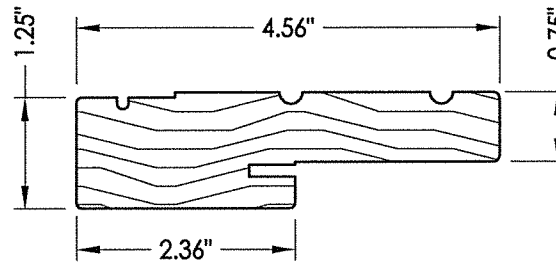
DRAWING NO.:  
TX-5160

SHEET 9 OF 10

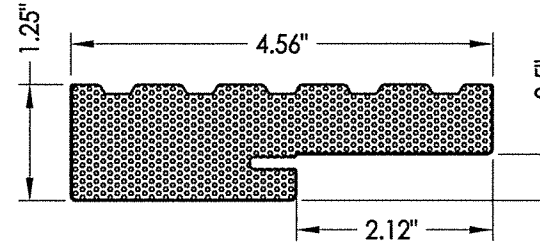
REVISIONS

Z:\Clients\Therma Tru PERMANENT\B - Texas Dept of Ins\TDI - DR XXX - 68, 7 & 8 - CC Glazed FG NonImp IS Dir Set Sidelites (TX 5152-5157)\C - Drawings\TX-5160-61.dwg

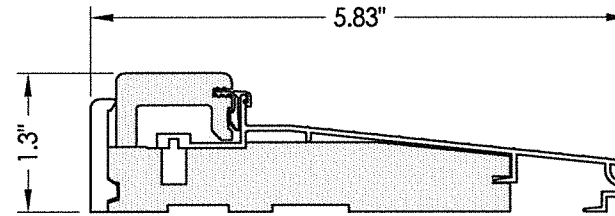
BILL OF MATERIALS		
ITEM #	DESCRIPTION	MATERIAL
B	2X BUCK (G >= 0.42)	WOOD
C	1/4" MAX. SHIM SPACE	-
D	1/4" PFH DeWALT OR ITW CONCRETE SCREW	STEEL
F	#10 X 2" PFH WOOD SCREW	STEEL
L	#10 X 2-1/2" PFH WOOD SCREW (1.15" MIN. EMBEDMENT)	STEEL
Q	#10 X 3" PFH WOOD SCREW (1.75" MIN. EMBEDMENT)	STEEL
R	3/16" X 3-1/4" ITW CONCRETE SCREW	STEEL
X	2X REINFORCEMENT (SG = 0.55)	WOOD
1	WOOD JAMB (FINGER JOINT PINE)	WOOD
2	COMPOSITE JAMB	COMP
7	WEATHERSTRIP	FOAM
8	DOOR SWEEP	VINYL
10	#10 X 1-1/2" PFH WOOD SCREW	STEEL
11	#12 X 1-1/2" PFH WOOD SCREW	STEEL
22	#8 X 3/4" PFH WOOD SCREW	STEEL
23	#9 X 3/4" PFH WOOD SCREW	STEEL
24	#9 X 1" PFH WOOD SCREW	STEEL
25	#8 X 1-1/2" PFH WOOD SCREW	STEEL
26	#8 X 5/8" PFH WOOD SCREW	STEEL
27	LATCH STRIKE PLATE	STEEL
28	DEADBOLT STRIKE PLATE	STEEL
28A	DEADBOLT SUB STRIKE PLATE	STEEL
29	4" X 4" HINGE	STEEL
32	INSWING THRESHOLD	ALUM/COMP
33	INSWING THRESHOLD w/ SIDELITE ADAPTER	ALUM/COMP
40	DOOR PANEL (BOOK)	-
41	DOOR PANEL (HYBRID)	-
42	DOOR PANEL (U1)	-



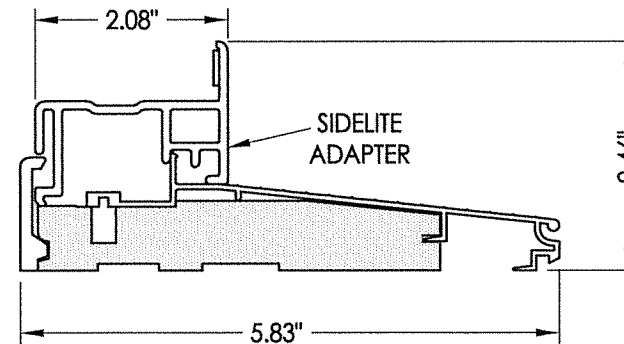
1 WOOD JAMB



2 COMPOSITE JAMB



32 INSWING THRESHOLD  
Adjustable Composite Sill



33 INSWING THRESHOLD w/ SIDELITE ADAPTER  
Composite Sill

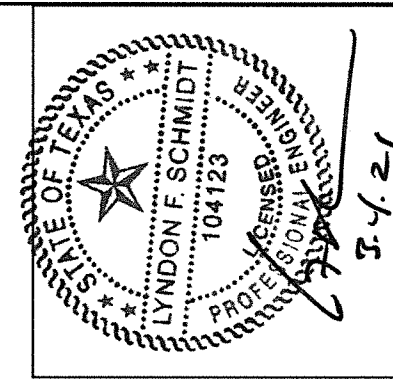
**CONCRETE ANCHOR NOTES:**

- Concrete anchor locations at the corners may be adjusted to maintain the min. edge distance to mortar joints.
- Concrete anchor locations noted as "MAX. ON CENTER" must be adjusted to maintain the min. edge distance to mortar joints, additional concrete anchors may be required to ensure the "MAX. ON CENTER" dimension are not exceeded.
- Concrete anchor table:

ANCHOR TYPE	ANCHOR SIZE	MIN. EMBEDMENT	MIN. CLEARANCE TO MASONRY EDGE	MIN. CLEARANCE TO ADJACENT ANCHOR
ITW TAPCON®	1/4"	1-3/4"	2"	4"
DeWALT ULTRACON®	1/4"	1-3/4"	1"	4"
ITW TAPCON®	3/16"	1-1/4"	3"	1-1/2"

**WOOD SCREW INSTALLATION NOTES:**

- Maintain a minimum 5/8" edge distance, 1" end distance, & 1" o.c. spacing of wood screws to prevent the splitting of wood.



Documents Prepared By: Lyndon F. Schmidt, P.E.  
TEXAS P.E. #104123

RW BUILDING CONSULTANTS, INC.  
P.O. Box 230 Vairico FL 33595  
Phone No.: 813.659.9197  
TEXAS BOARD OF PROFESSIONAL ENGINEERS  
CERTIFICATE OF REGISTRATION # F-11852

PRODUCT: THERMA-TRU FIBERGLASS DOOR  
PART OR ASSEMBLY: BILL OF MATERIALS & COMPONENTS

NO.	DATE	BY	REVISIONS

DATE: 1/06/21  
SCALE: N.T.S.  
DWG. BY: RW  
CHK. BY: LFS  
DRAWING NO.: TX-5160  
SHEET 10 OF 10