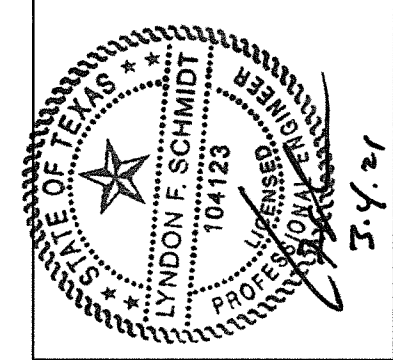


Z:\Clients\Therma Tru PERMANENT\B - Texas Dept of Ins\TDI - DR XXX - 6'8, 7' & 8' CC Glazed FG NonImp IS Dir Set Sidelites (TX 5152-5157)\C - Drawings\TX-5158-59.dwg

THERMA-TRU® DOORS

Classic-Craft®



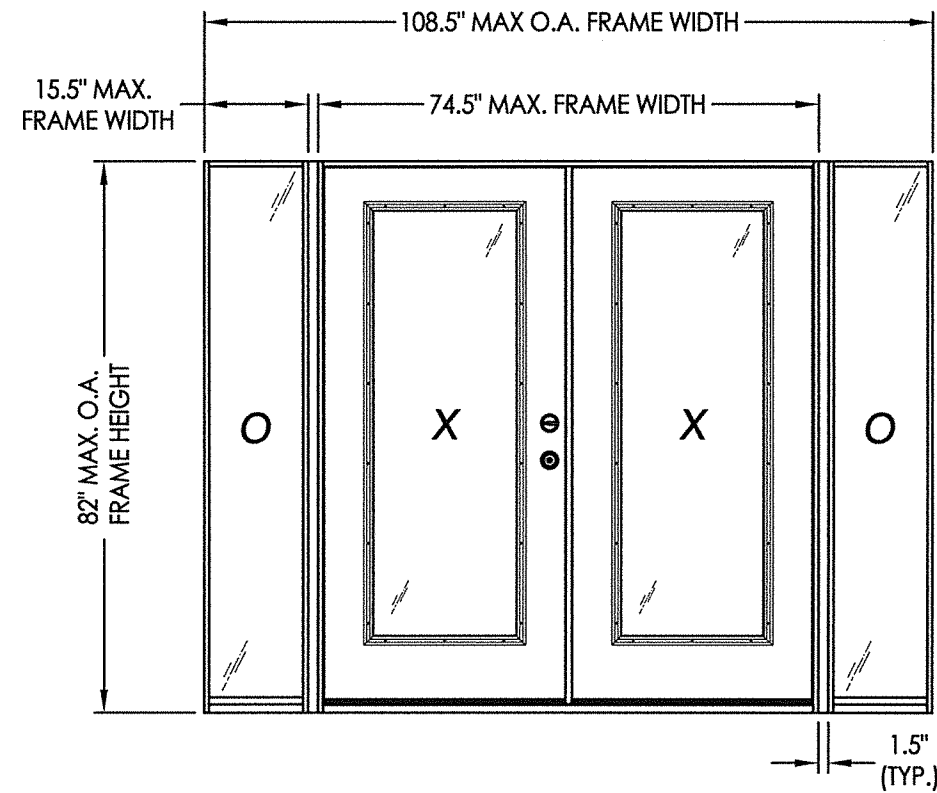
Documents Prepared By: Lyndon F. Schmidt, P.E.
TEXAS P.E. #104123

RW BUILDING CONSULTANTS, INC.
P.O. Box 230 Valrico FL 33595
Phone No.: 813.659.9197

TEXAS BOARD OF PROFESSIONAL ENGINEERS
CERTIFICATE OF REGISTRATION # F-11852

GLAZED FIBERGLASS DOUBLE DOOR w/ DIRECT SET SIDELITES

IN SWING
"NON-IMPACT"



EVALUATED FOR USE IN THE STATE OF TEXAS

The Fiberglass Door system described herein complies with the 2018 International Residential Code (IRC), Sections R301 & R609 and the 2018 International Building Code (IBC), Sections 1404.13, 1609, 1709.5, 2403 and 2404 subject to the following conditions:

1. Anchors shall be as listed and spaced as shown in the details. Anchor embedment to base material shall be beyond wall dressing or stucco.
2. When used in areas requiring wind-borne debris protection this product is required to be protected with an impact resistant covering that complies with Section R301.2.1.2 of the IRC and Section 1609.1.2 of the IBC.
3. Allowable design pressure requirements must be equal to or less than the design pressure rating shown in the design pressure chart, sheet 1 of this drawing.
4. Conditions not covered by this drawing are subject to further engineering analysis.

TABLE OF CONTENTS			
SHEET #	DESCRIPTION	SHEET #	
1	Typical Elevations, Design Pressures & General Notes	7	Vertical Cross Sections
2	Door Panel Details	8	Frame Anchoring
3	Door Panel Details	9	Hardware Details
4	Sidelite Panel Details	10	Glazing Details
5	Elevations	11	Bill of Materials & Components
6	Horizontal Cross Sections		

CONFIGURATION	DOOR GLAZING	2X REINFORCEMENT REQUIRED	ASTRAGAL	DESIGN PRESSURE (PSF) w/ FJ PINE JAMBS		DESIGN PRESSURE (PSF) w/ COMPOSITE JAMBS	
				POSITIVE	NEGATIVE	POSITIVE	NEGATIVE
OXXO	LIP LITE	NO	STANDARD	+40.0	-45.0	+40.0	-45.0
		YES	COASTAL	+40.0	-45.0	+45.0	-50.0
	FLUSH	NO	STANDARD	+50.0	-55.0	+40.0	-45.0
		YES	COASTAL	+50.0	-55.0	+45.0	-50.0

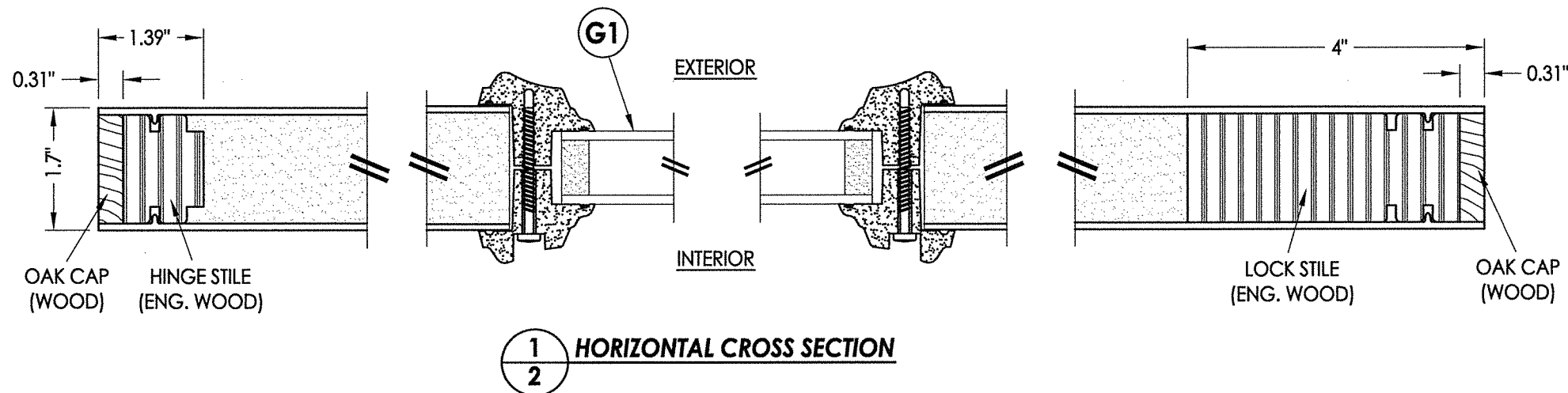
PRODUCT: THERMA-TRU FIBERGLASS DOOR

PART OR ASSEMBLY: TYPICAL ELEVATION, DESIGN PRESSURES & GENERAL NOTES

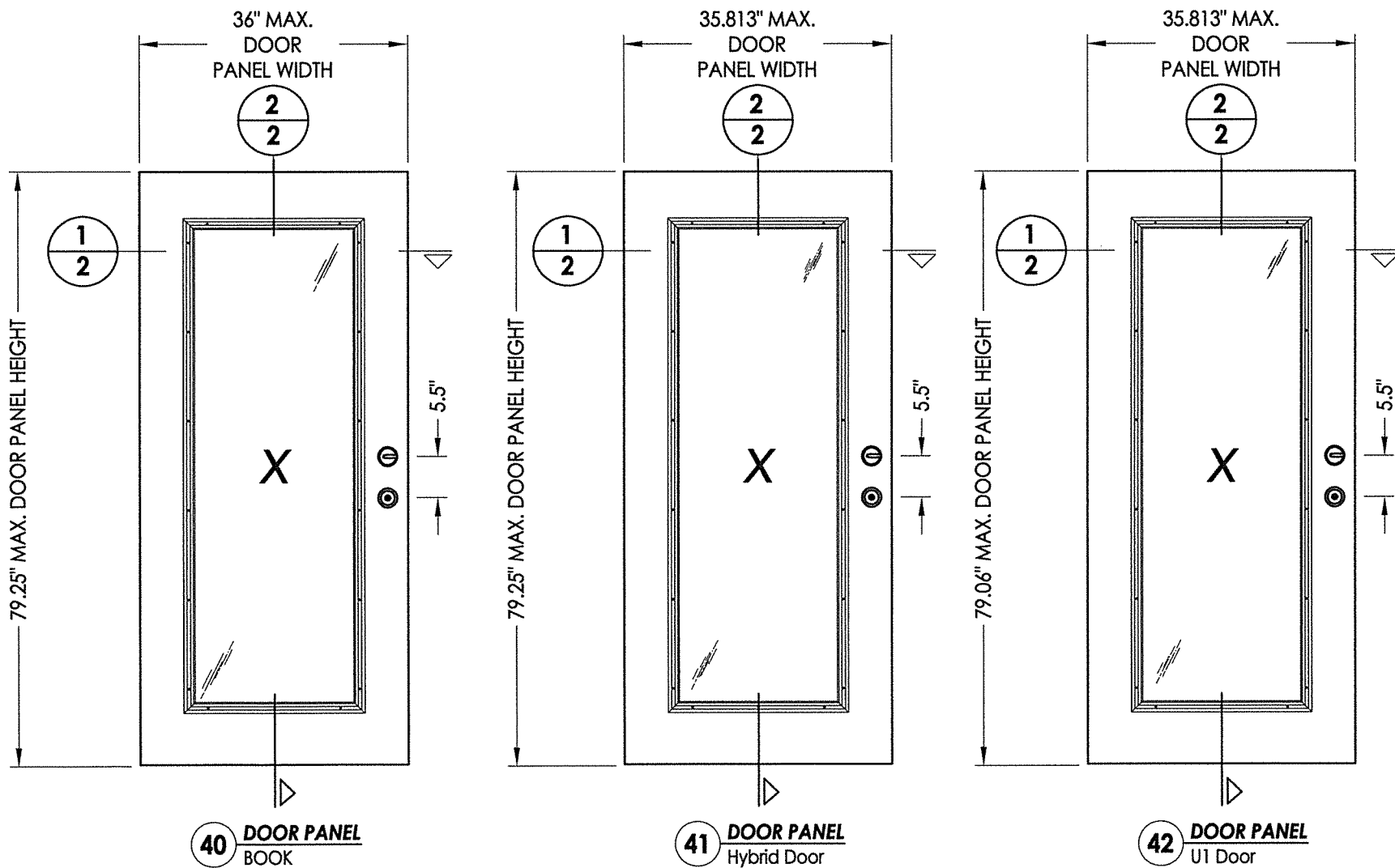
NO.	DATE	BY	REVISIONS

DATE: 1/06/21
SCALE: N.T.S.
DWG. BY: RW
CHK. BY: LFS
DRAWING NO.: TX-5159
SHEET 1 OF 11

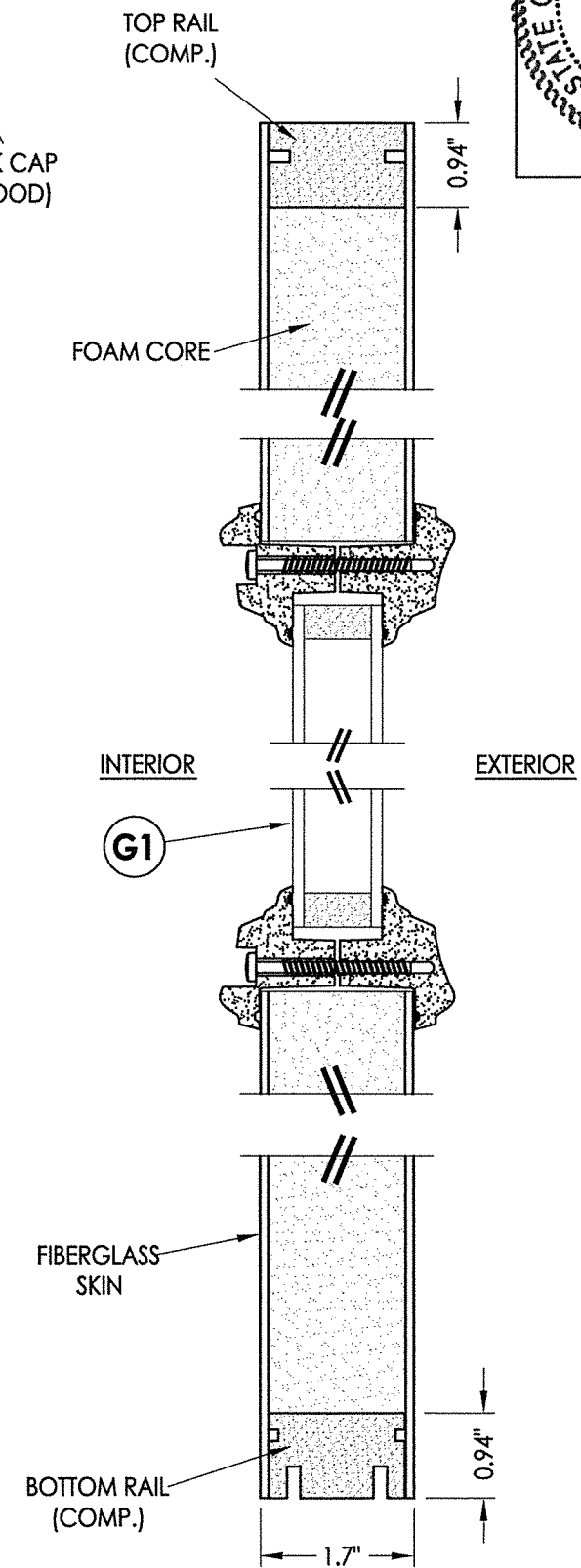
Z:\Clients\Therma Tru PERMANENT\B - Texas Dept of Ins\TDI - DR XXX - 6'8, 7' & 8' CC Glazed FG NonImp IS Dir Set Sidelites (TX 5152-5157)\C - Drawings\TX-5158-59.dwg



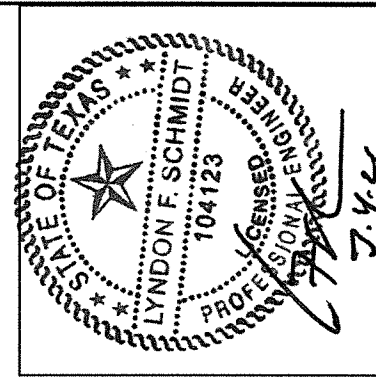
1
2 **HORIZONTAL CROSS SECTION**



"Classic Craft" SERIES DOOR PANEL
 FIBERGLASS DOOR SKIN: 0.095" MIN. THK.
 FOAM CORE: POLYURETHANE FOAM (1.9 PCF MIN.)



2
2 **VERTICAL CROSS SECTION**



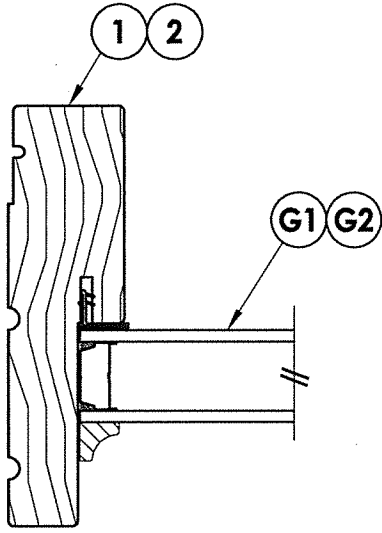
Documents Prepared By: Lyndon F. Schmidt, P.E.
 TEXAS P.E. #104123

RW BUILDING CONSULTANTS, INC.
 P.O. Box 230 Valrico FL 33595
 Phone No.: 813.659.9197
 TEXAS BOARD OF PROFESSIONAL ENGINEERS
 CERTIFICATE OF REGISTRATION # F-11852

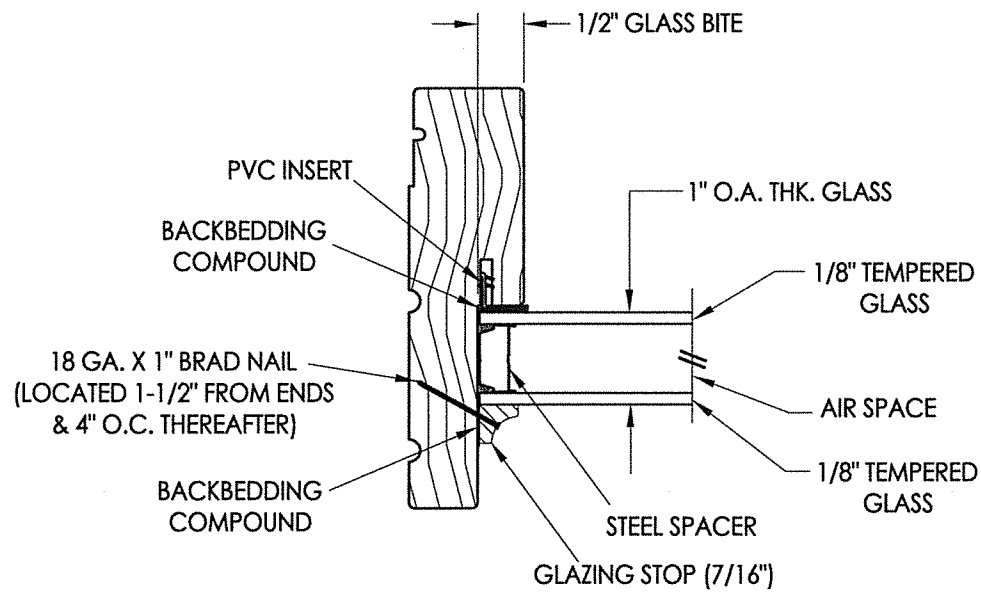
PRODUCT: THERMA-TRU
 FIBERGLASS DOOR
 PART OR ASSEMBLY: DOOR PANEL DETAILS

NO.	DATE	BY	REVISIONS

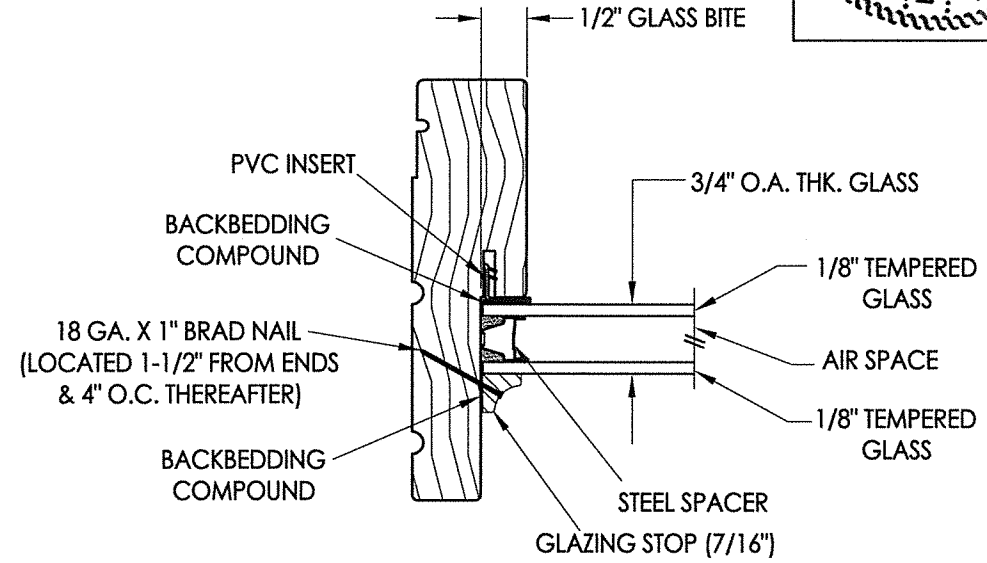
DATE: 1/06/21
 SCALE: N.T.S.
 DWG. BY: RW
 CHK. BY: LFS
 DRAWING NO.: TX-5159
 SHEET 2 OF 11



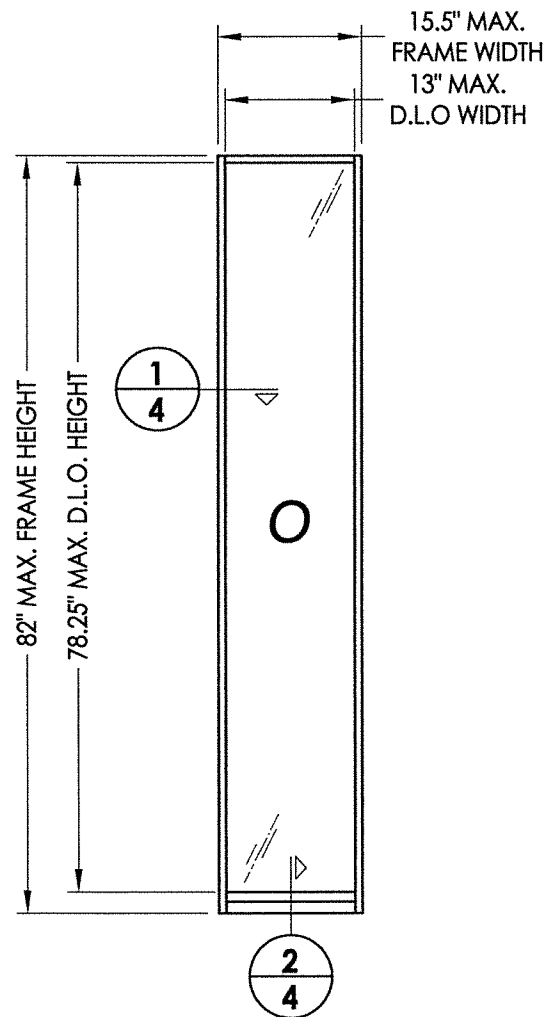
1
4 **HORIZONTAL CROSS SECTION**



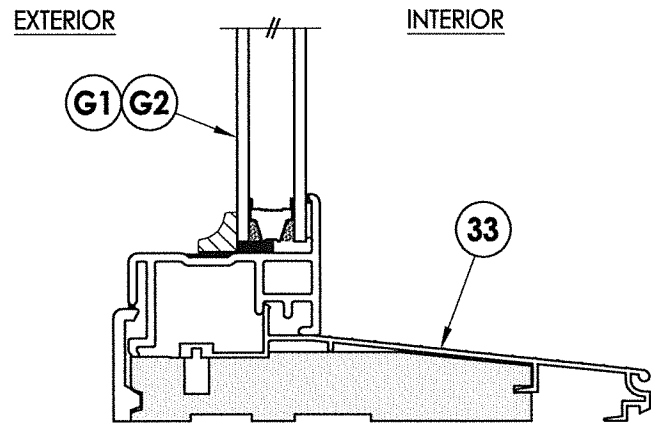
G1 **GLAZING DETAIL**
1" Insulated Glass



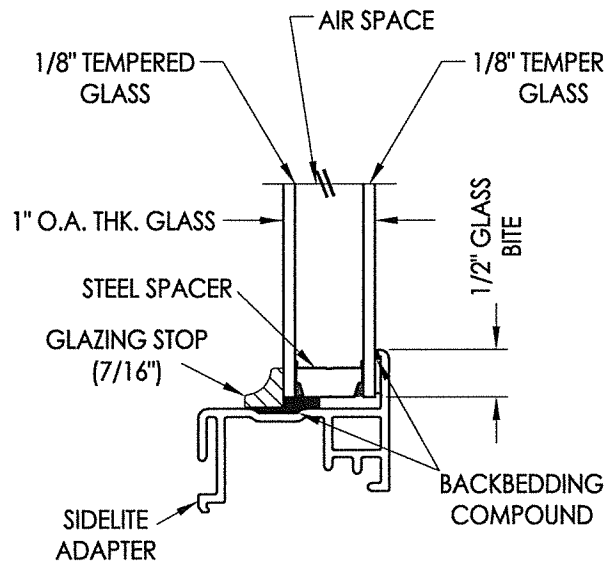
G2 **GLAZING DETAIL**
3/4" Insulated Glass



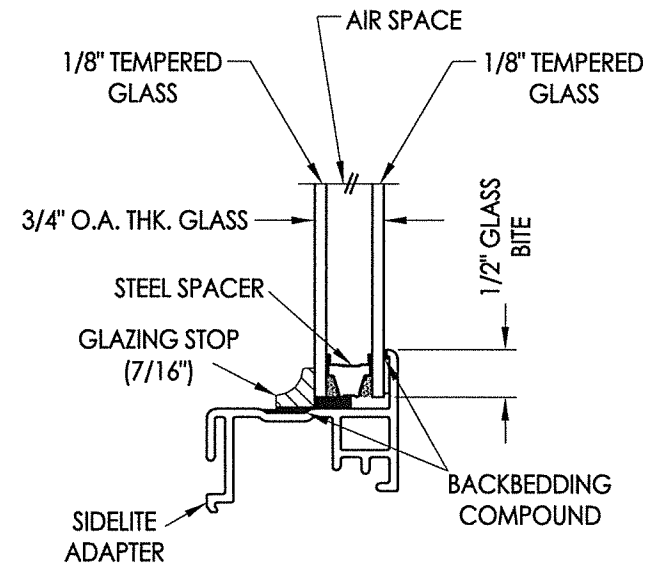
50 **DIRECT SET SIDELITE FRAME**



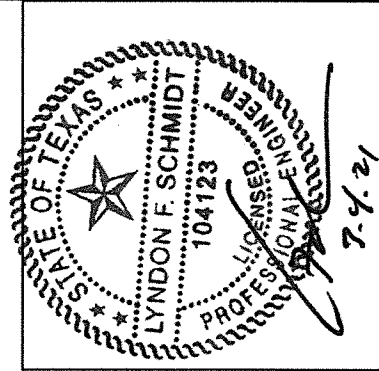
2
4 **VERTICAL CROSS SECTION**



G1 **GLAZING DETAIL**
1" Insulated Glass



G2 **GLAZING DETAIL**
3/4" Insulated Glass



Documents Prepared By: Lyndon F. Schmidt, P.E.
TEXAS P.E. #104123

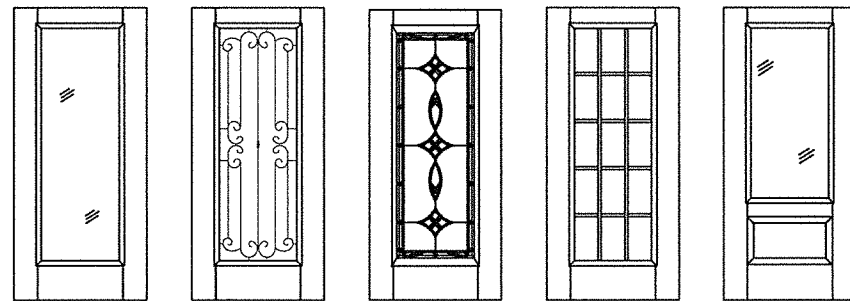
RW BUILDING CONSULTANTS, INC.
P.O. Box 230 Vairico FL 33595
Phone No.: 813.659.9197
TEXAS BOARD OF PROFESSIONAL ENGINEERS
CERTIFICATE OF REGISTRATION # F-11852

PRODUCT: THERMA-TRU
FIBERGLASS DOOR

PART OR ASSEMBLY:
SIDELITE PANEL DETAILS

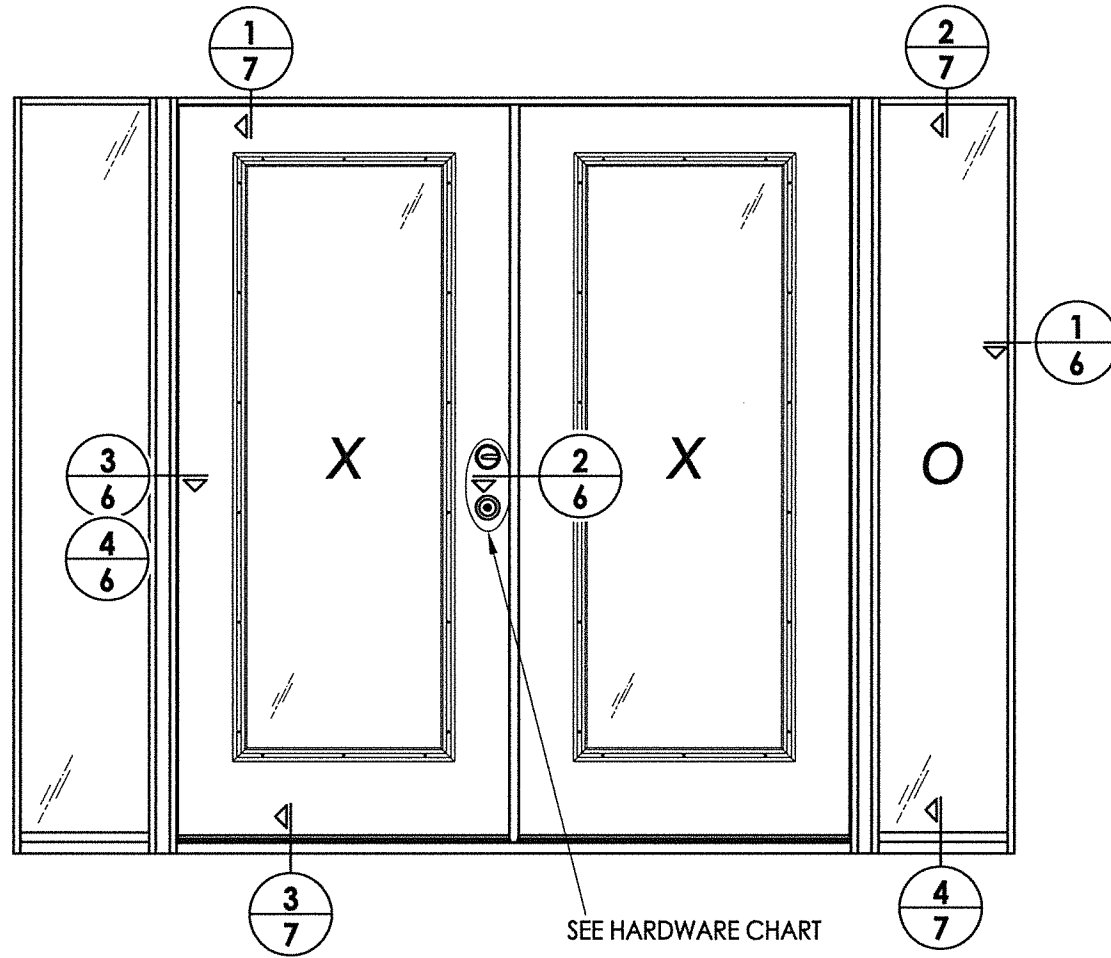
NO.	DATE	BY

DATE: 1/06/21
SCALE: N.T.S.
DWG. BY: RW
CHK. BY: LFS
DRAWING NO.: TX-5159
SHEET 4 OF 11



Classic Craft Door Panel Options

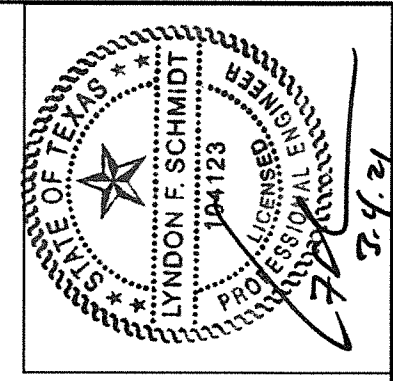
Products approved include all embossed and recessed panel doors.
 Similar glazed panel configurations are allowed.
 Panels shown are for illustration and are representative only.



ELEVATION
OXXO

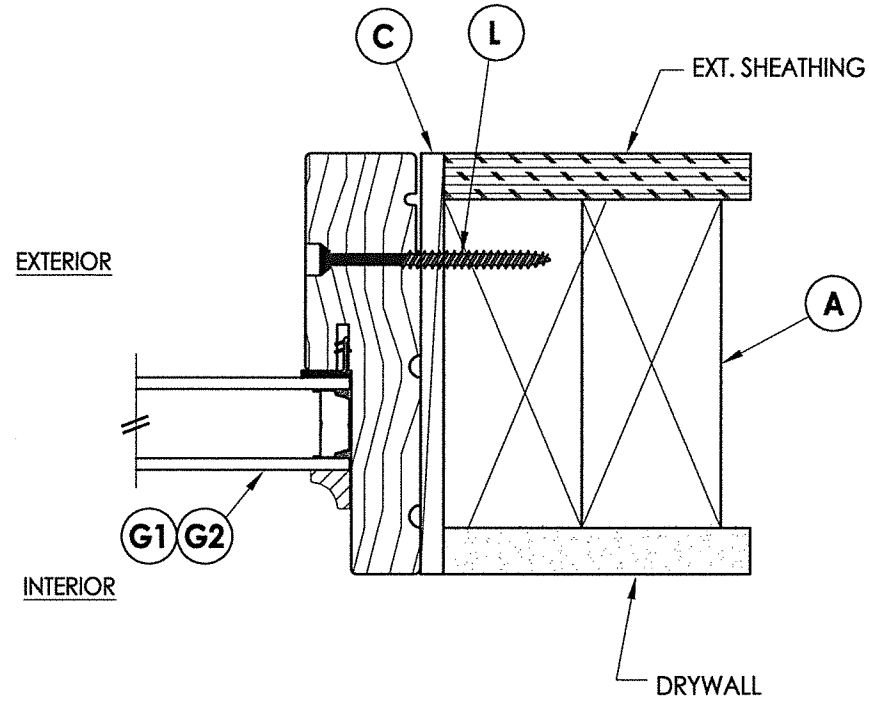
SEE HARDWARE CHART

HARDWARE TABLE	
MANUFACTURER	MODEL
SCHLAGE	KNOB: F51 DEADBOLT: B60
KWIKSET	KNOB: SIGNATURE SERIES DEADBOLT: SIGNATURE SERIES (980)

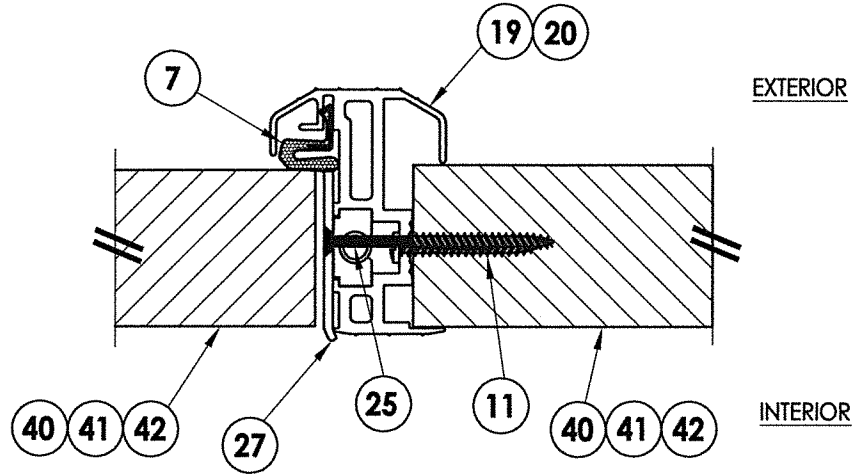


Documents Prepared By: Lyndon F. Schmidt, P.E.
 TEXAS P.E. #104123
 RW BUILDING CONSULTANTS, INC.
 P.O. Box 230 Vairico FL 33595
 Phone No.: 813.659.9197
 TEXAS BOARD OF PROFESSIONAL ENGINEERS
 CERTIFICATE OF REGISTRATION # F-11852

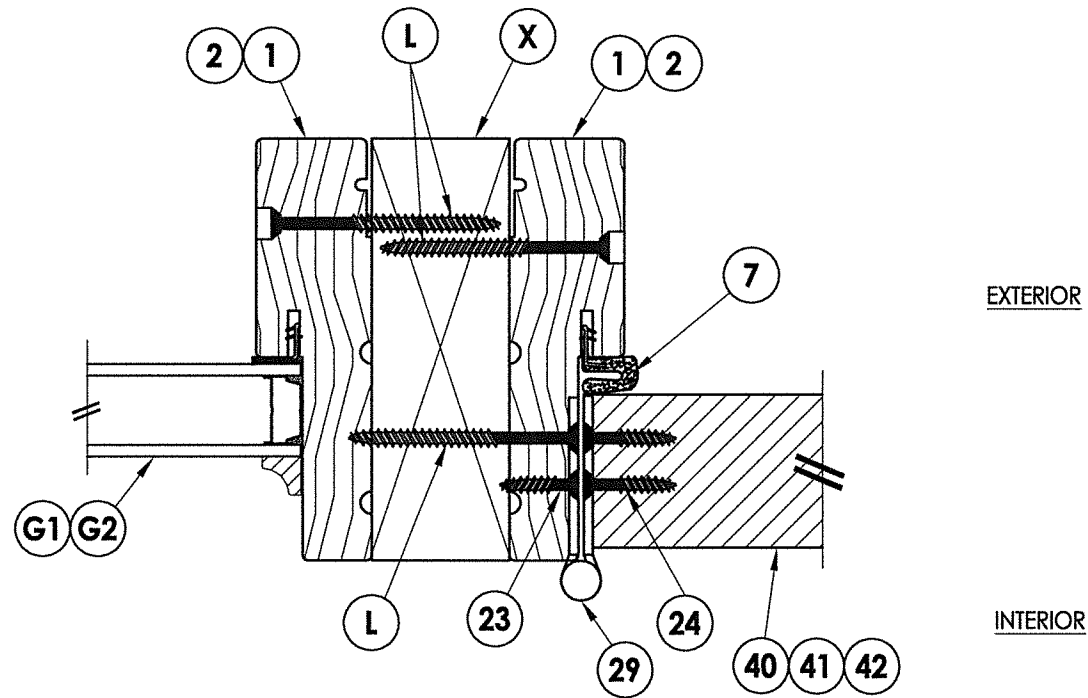
PRODUCT:	THERMA-TRU FIBERGLASS DOOR
PART OR ASSEMBLY:	ELEVATIONS
NO.	DATE
BY	REVISIONS
DATE:	1/06/21
SCALE:	N.T.S.
DWG. BY:	RW
CHK. BY:	LFS
DRAWING NO.:	TX-5159
SHEET	5 of 11



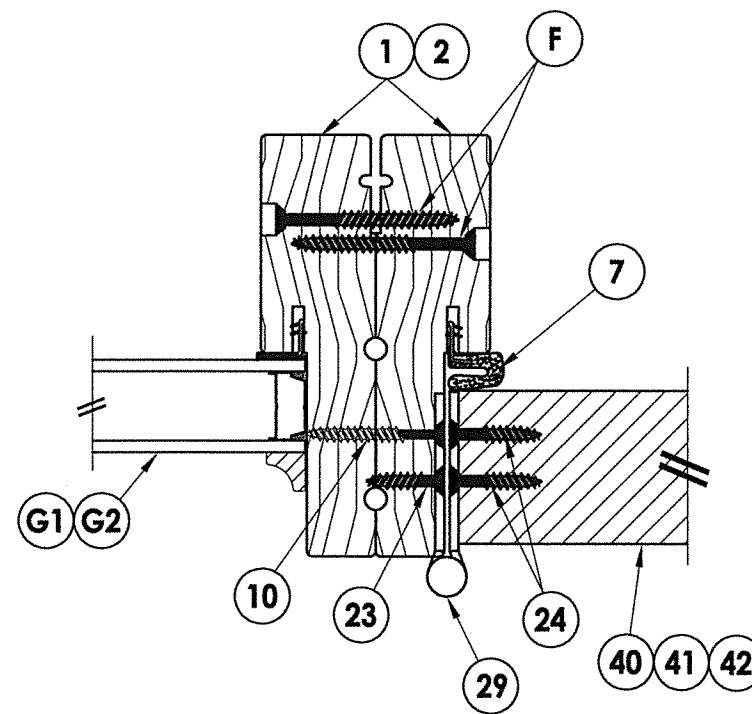
1
6 HORIZONTAL CROSS SECTION



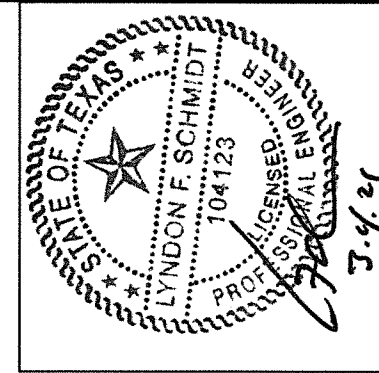
2
6 HORIZONTAL CROSS SECTION



3
6 HORIZONTAL CROSS SECTION
Shown w/ 2X Reinforcement



4
6 HORIZONTAL CROSS SECTION
Shown w/ Back-to-Back Jambs



Documents Prepared By: Lyndon F. Schmidt, P.E.
TEXAS P.E. #104123

RW BUILDING CONSULTANTS, INC.
P.O. Box 230 Valrico FL, 33595
Phone No.: 813.659.9197
TEXAS BOARD OF PROFESSIONAL ENGINEERS
CERTIFICATE OF REGISTRATION # F-11852

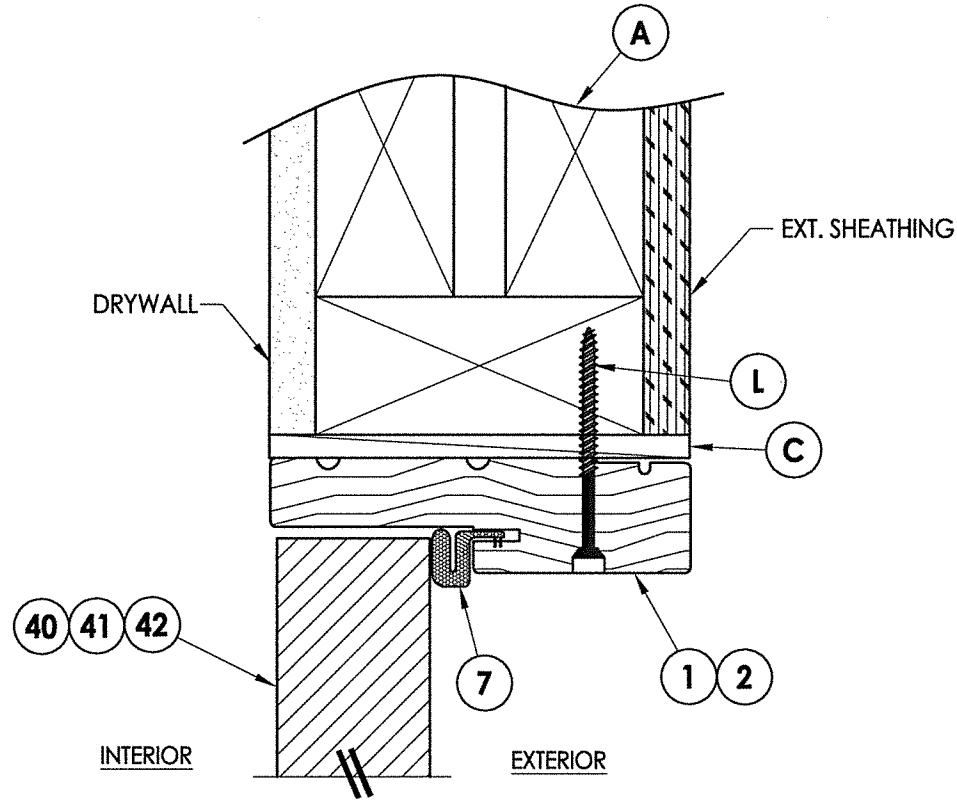
PRODUCT: THERMA-TRU
FIBERGLASS DOOR
PART OR ASSEMBLY:
HORIZONTAL
CROSS SECTIONS

NO.	DATE	BY	REVISIONS

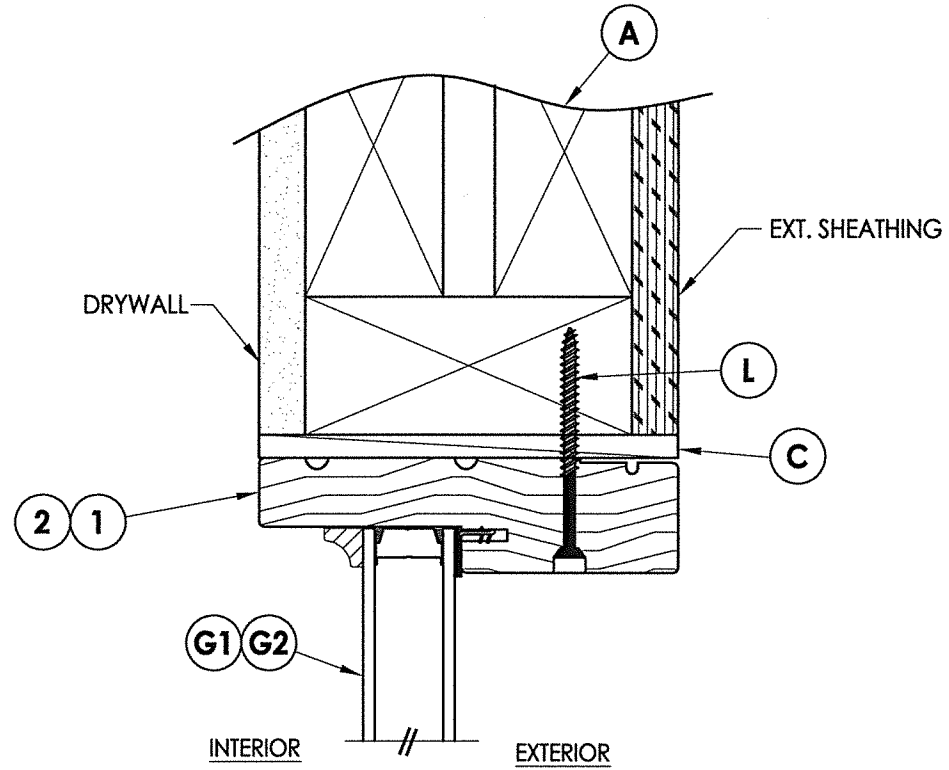
DATE: 1/06/21
SCALE: N.T.S.
DWG. BY: RW
CHK. BY: LFS
DRAWING NO.: TX-5159
SHEET 6 OF 11

Note:

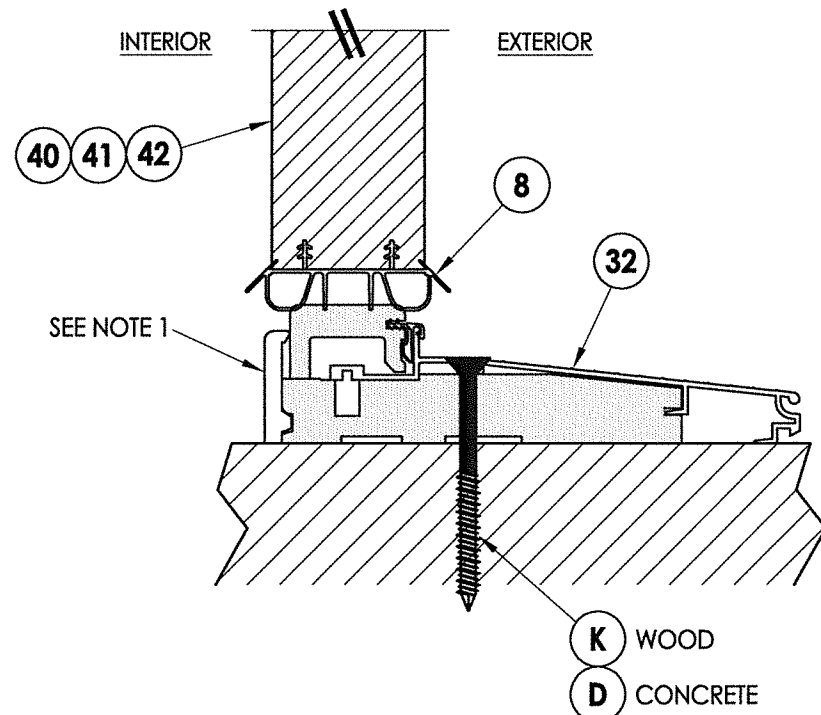
1. Sill Item #'s 32 & 33 are attached to jambs w/ (3) #8 X 2-1/2" pfh screws at each end.



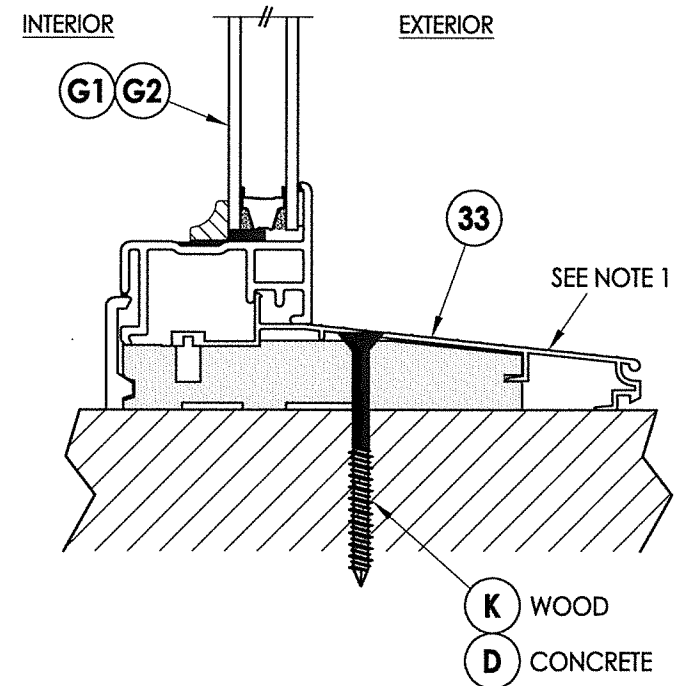
1
7 VERTICAL CROSS SECTION



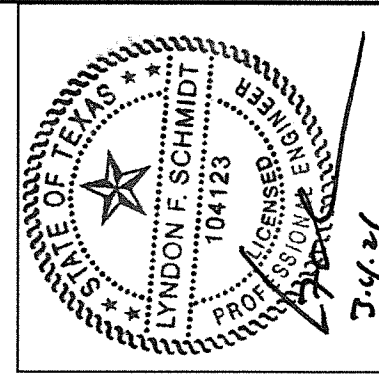
2
7 VERTICAL CROSS SECTION



3
7 VERTICAL CROSS SECTION
Inswing Sill



4
7 VERTICAL CROSS SECTION
Inswing Sill



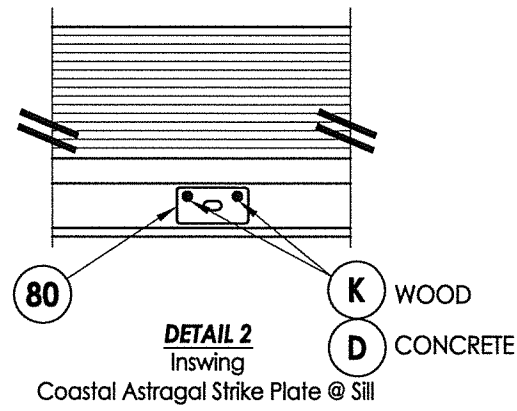
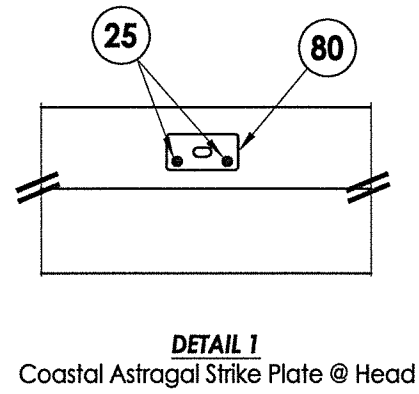
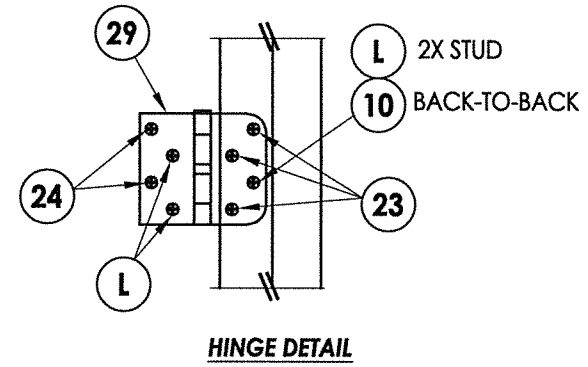
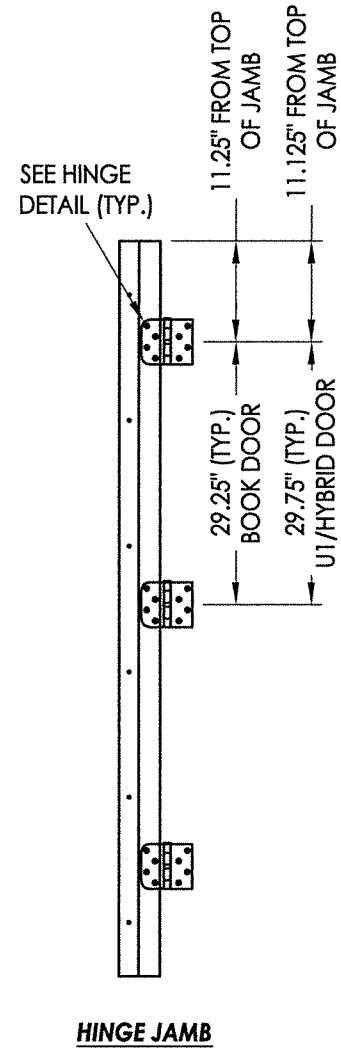
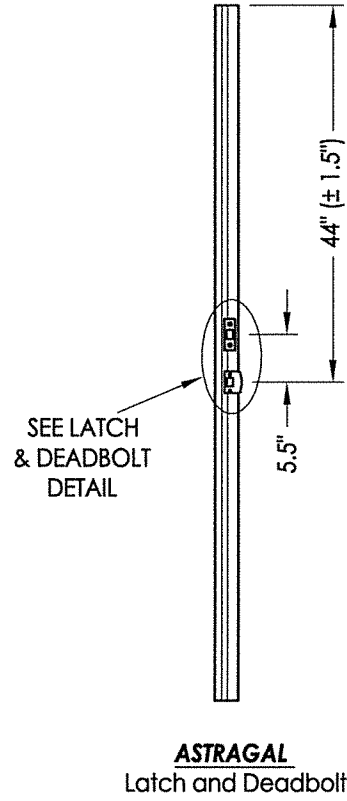
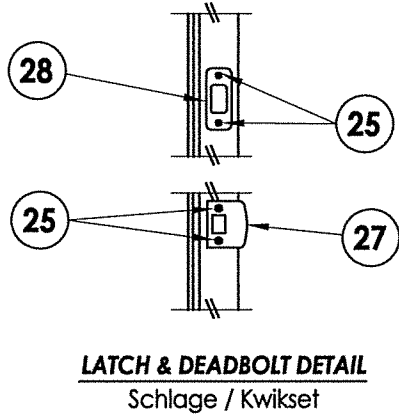
Documents Prepared By: Lyndon F. Schmidt, P.E.
TEXAS P.E. #104123

RW BUILDING CONSULTANTS, INC.
P.O. Box 230 Valrico FL 33595
Phone No.: 813.659.9197
TEXAS BOARD OF PROFESSIONAL ENGINEERS
CERTIFICATE OF REGISTRATION # F-11852

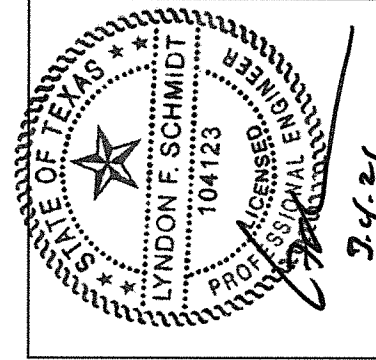
PRODUCT: THERMA-TRU
FIBERGLASS DOOR
PART OR ASSEMBLY:
VERTICAL
CROSS SECTIONS

NO.	DATE	BY	REVISIONS

DATE: 1/06/21
SCALE: N.T.S.
DWG. BY: RW
CHK. BY: LFS
DRAWING NO.: TX-5159
SHEET 7 OF 11



LATCH & DEADBOLT STRIKE DETAILS



Documents Prepared By: Lyndon F. Schmidt, P.E.
TEXAS P.E. #104123

RW BUILDING CONSULTANTS, INC.
P.O. Box 230 Vairico FL 33595
Phone No.: 813.659.9197

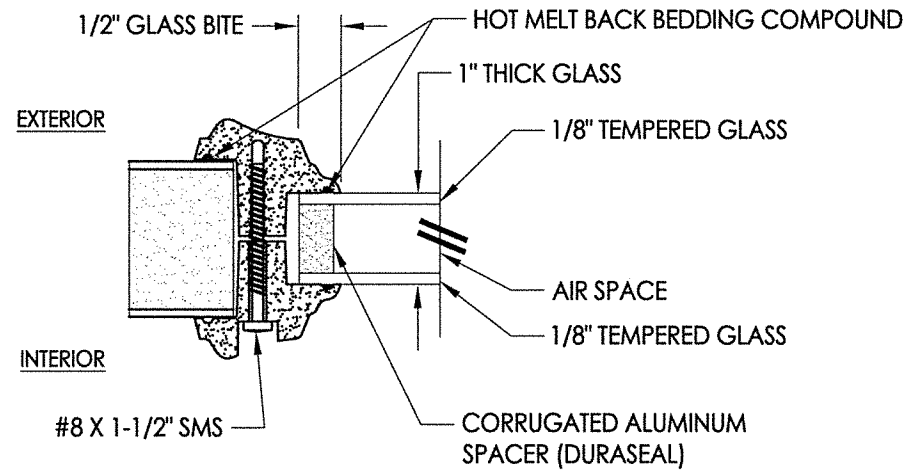
TEXAS BOARD OF PROFESSIONAL ENGINEERS
CERTIFICATE OF REGISTRATION # F-11852

PRODUCT: THERMA-TRU FIBERGLASS DOOR

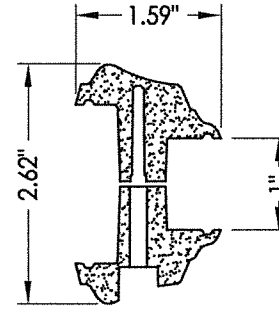
PART OR ASSEMBLY: HARDWARE DETAILS

NO.	DATE	BY	REVISIONS

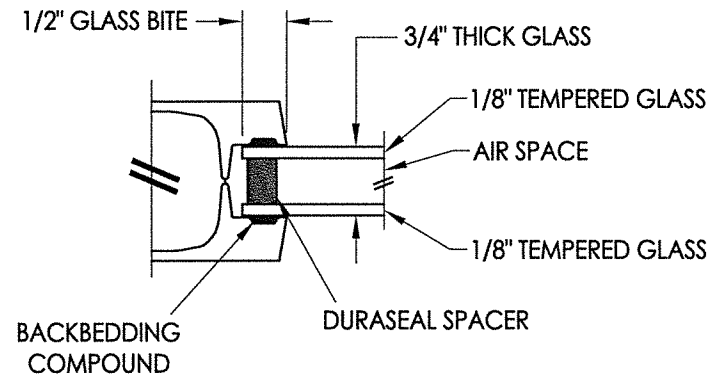
DATE: 1/06/21
SCALE: N.T.S.
DWG. BY: RW
CHK. BY: LFS
DRAWING NO.: TX-5159
SHEET 9 of 11



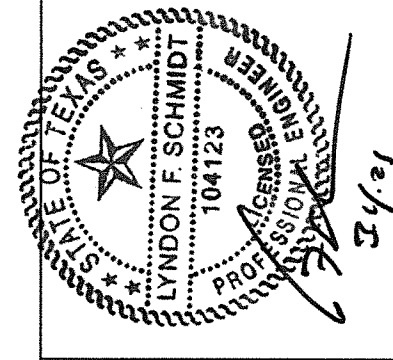
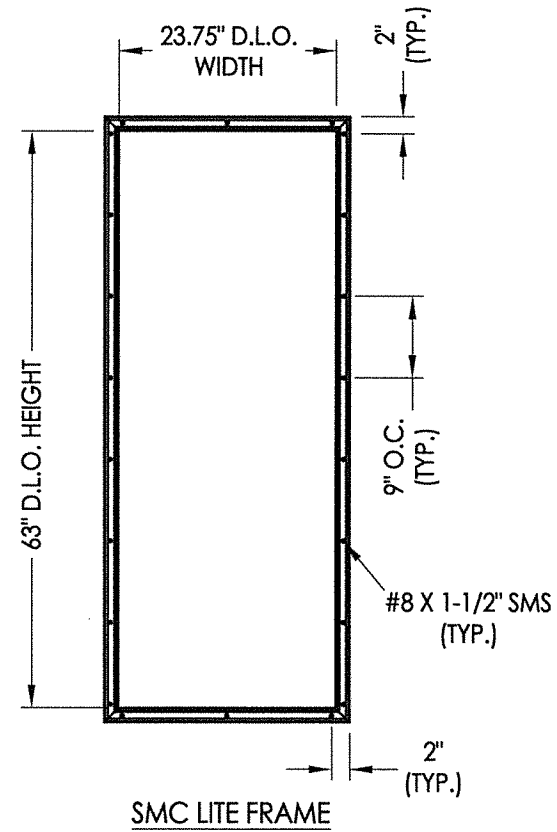
G1 GLAZING DETAIL
SMC LIP LITE FRAME



SMC FULL LITE FRAME



G2 GLAZING DETAIL
Flush Glazing



Documents Prepared By: Lyndon F. Schmidt, P.E.
TEXAS P.E. #104123

RW BUILDING CONSULTANTS, INC.
P.O. Box 230 Valrico FL 33595
Phone No.: 813.659.9197
TEXAS BOARD OF PROFESSIONAL ENGINEERS
CERTIFICATE OF REGISTRATION # F-11852

PRODUCT: THERMA-TRU
FIBERGLASS DOOR
PART OR ASSEMBLY:
GLAZING DETAILS

NO.	DATE	BY	REVISIONS

DATE: 1/06/21
SCALE: N.T.S.
DWG. BY: RW
CHK. BY: LFS
DRAWING NO.: TX-5159
SHEET 10 OF 11

