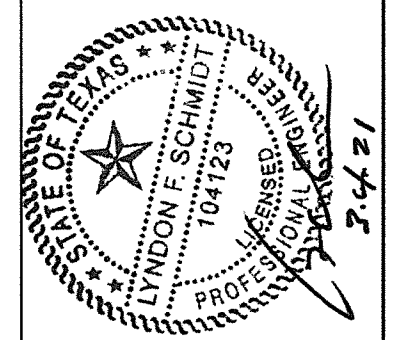


THERMA-TRU[®] DOORS

Fiber-Classic[®] & Smooth-Star[®]



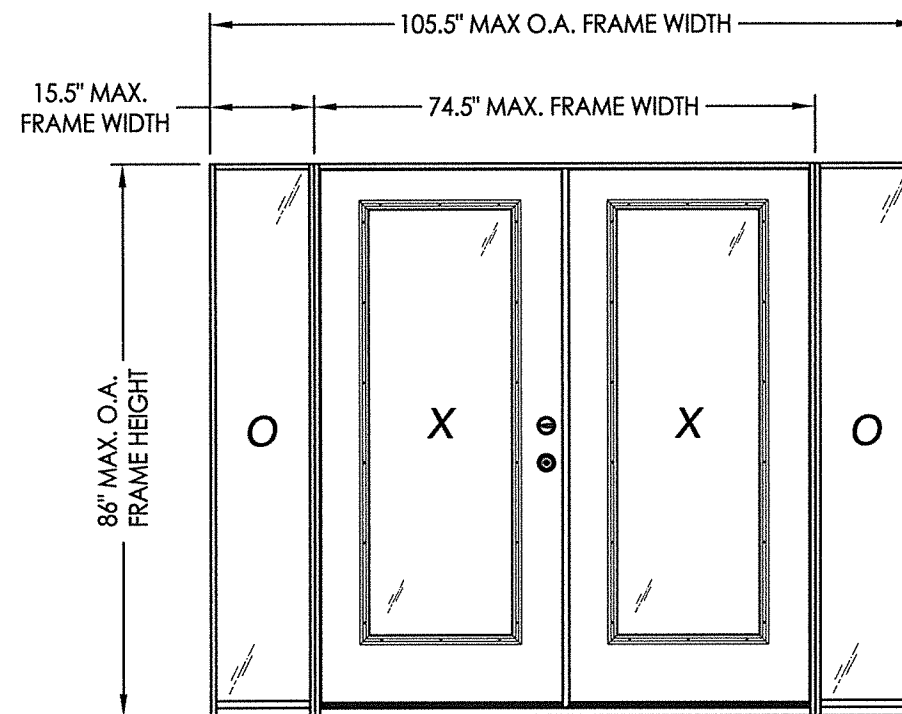
Documents Prepared By: Lyndon F. Schmidt, P.E.
TEXAS P.E. #104123

RW BUILDING CONSULTANTS, INC.
P.O. Box 230 Valrico FL 33595
Phone No.: 813.659.9197

TEXAS BOARD OF PROFESSIONAL ENGINEERS
CERTIFICATE OF REGISTRATION # F-11852

WOOD OR COMPOSITE EDGE GLAZED FIBERGLASS DOUBLE DOOR w/ DIRECT SET SIDELITES

**INSWING
"NON-IMPACT"**



EVALUATED FOR USE IN THE STATE OF TEXAS

The Fiberglass Door system described herein complies with the 2018 International Residential Code (IRC), Sections R301 & R609 and the 2018 International Building Code (IBC), Sections 1404.13, 1609, 1709.5, 2403 and 2404 subject to the following conditions:

1. Anchors shall be as listed and spaced as shown in the details. Anchor embedment to base material shall be beyond wall dressing or stucco.
2. When used in areas requiring wind-borne debris protection this product is required to be protected with an impact resistant covering that complies with Section R301.2.1.2 of the IRC and Section 1609.1.2 of the IBC.
3. Allowable design pressure requirements must be equal to or less than the design pressure rating shown in the design pressure chart, sheet 1 of this drawing.
4. Conditions not covered by this drawing are subject to further engineering analysis.
5. Fiber-Classic and Smooth-Star Door and Sidelite panels require the use of "J" part numbers. These door and sidelite panels must be stained or painted within six months of installation.

TABLE OF CONTENTS

SHEET #	DESCRIPTION	SHEET #	
1	Typical Elevations, Design Pressures & General Notes	6	Vertical Cross Sections
2	Door Panel Details	7	Frame Anchoring
3	Sidelite Panel Details	8	Hardware Details
4	Elevations	9	Glazing Details
5	Horizontal Cross Sections	10	Bill of Materials & Components

CONFIGURATION	2X REINFORCEMENT REQUIRED	ASTRAGAL	DESIGN PRESSURE (PSF) w/ FJ PINE JAMBS		DESIGN PRESSURE (PSF) w/ COMPOSITE JAMBS	
			POSITIVE	NEGATIVE	POSITIVE	NEGATIVE
OXXO	NO	STANDARD	+40.0	-45.0	+40.0	-45.0

PRODUCT: THERMA-TRU FIBERGLASS DOOR	
PART OR ASSEMBLY: TYPICAL ELEVATION, DESIGN PRESSURES & GENERAL NOTES	
NO.	DATE
BY	
REVISIONS	

DATE: 1/06/21

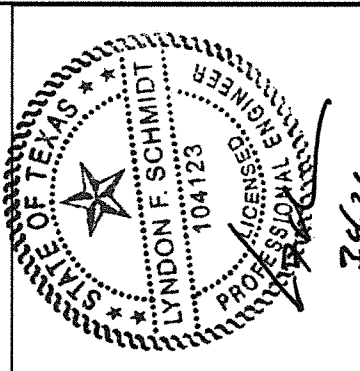
SCALE: N.T.S.

DWG. BY: RW

CHK. BY: LFS

DRAWING NO.: TX-5143

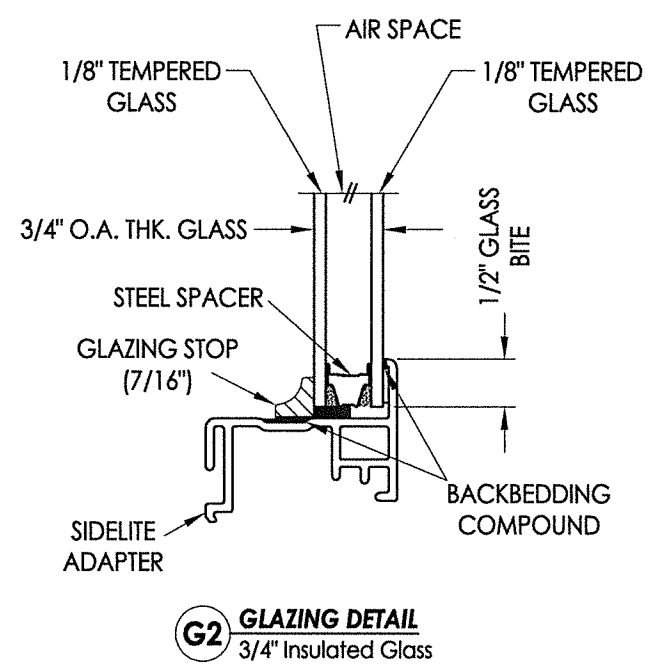
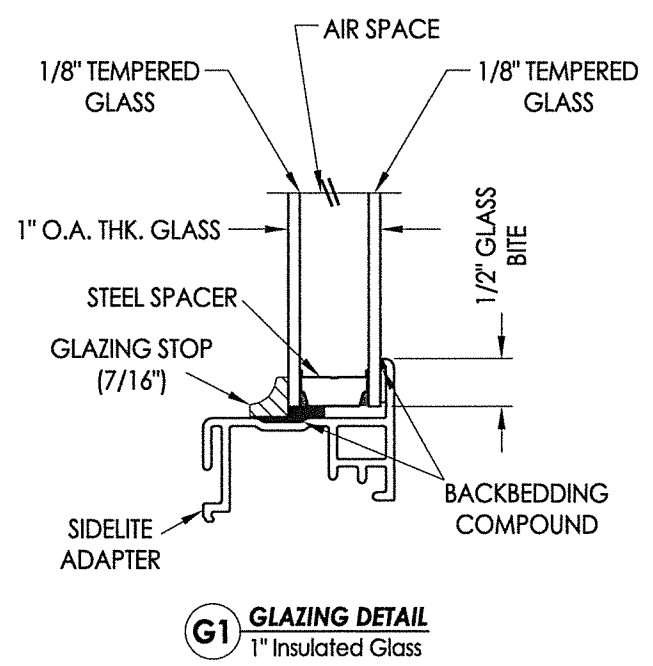
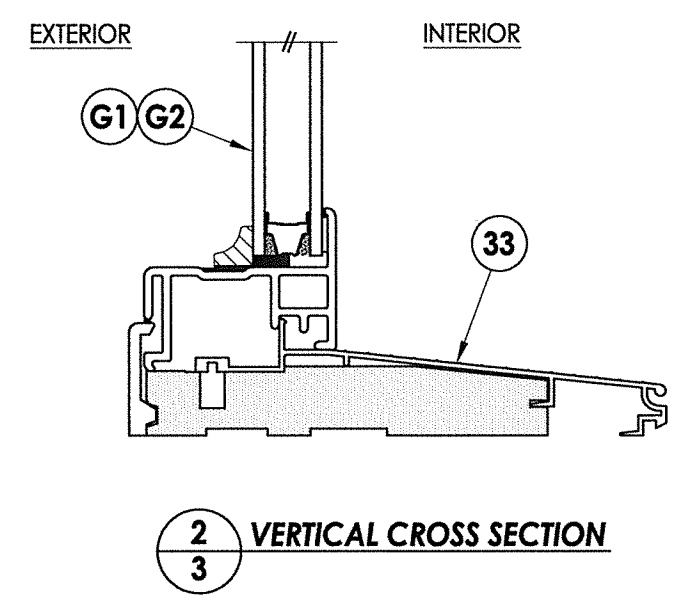
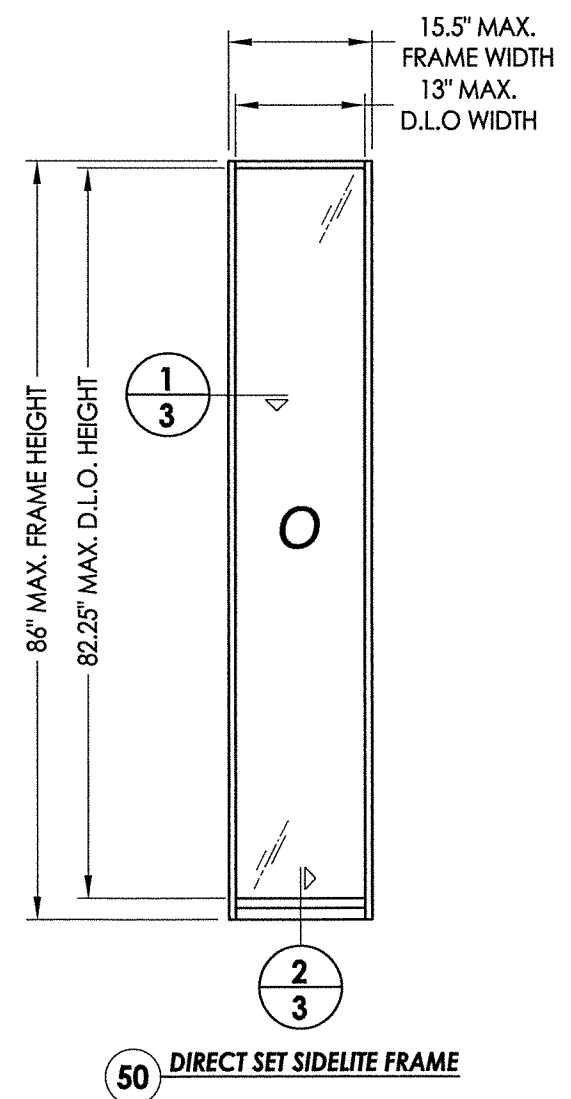
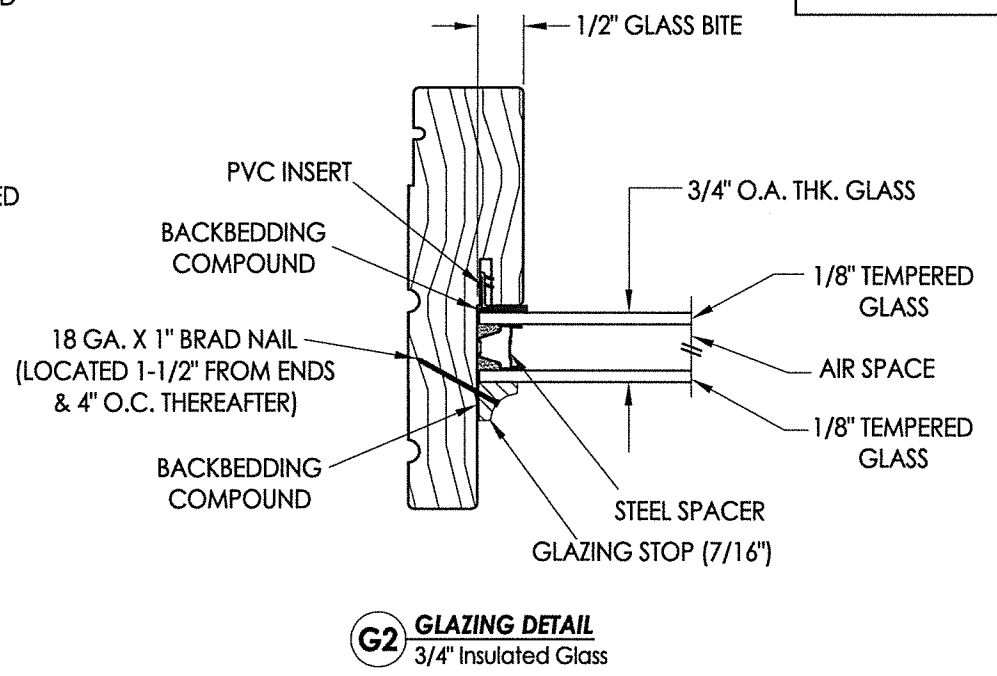
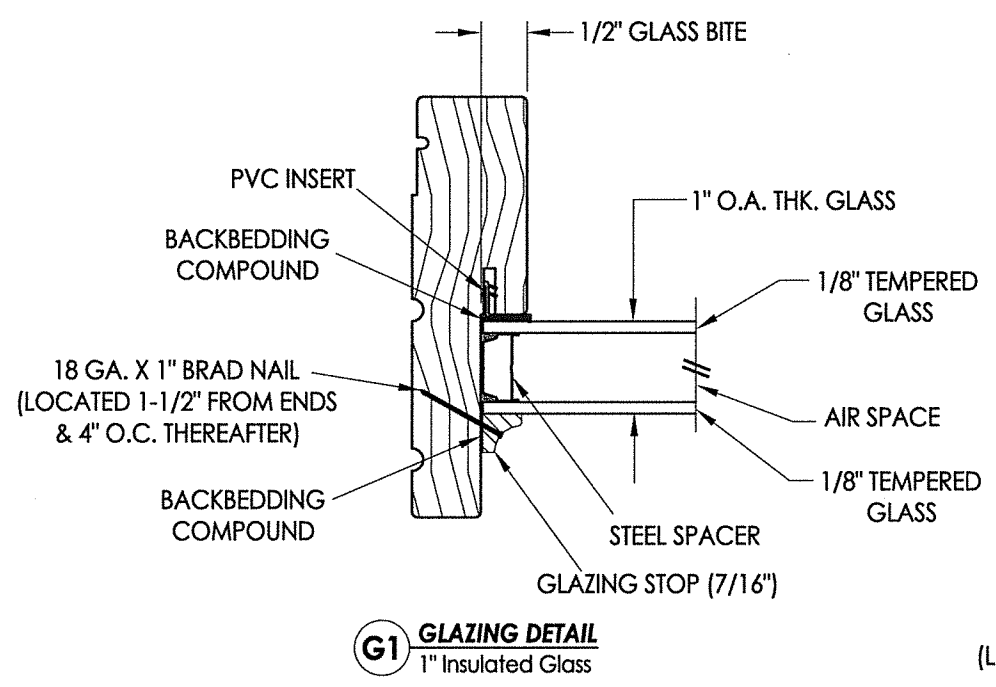
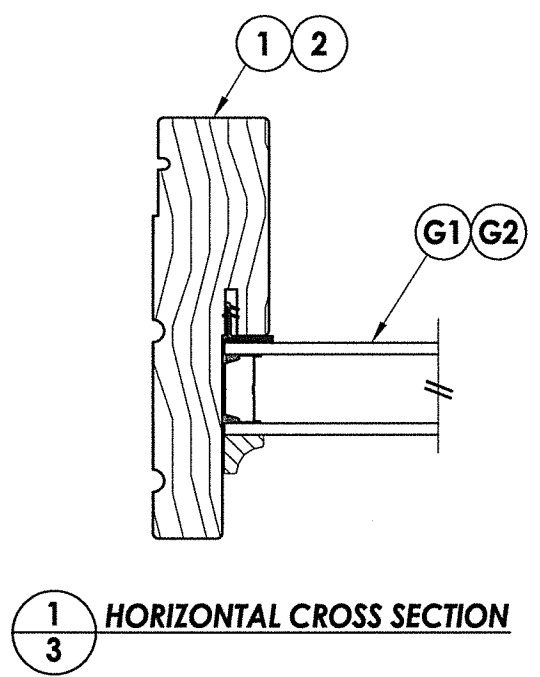
SHEET 1 OF 10



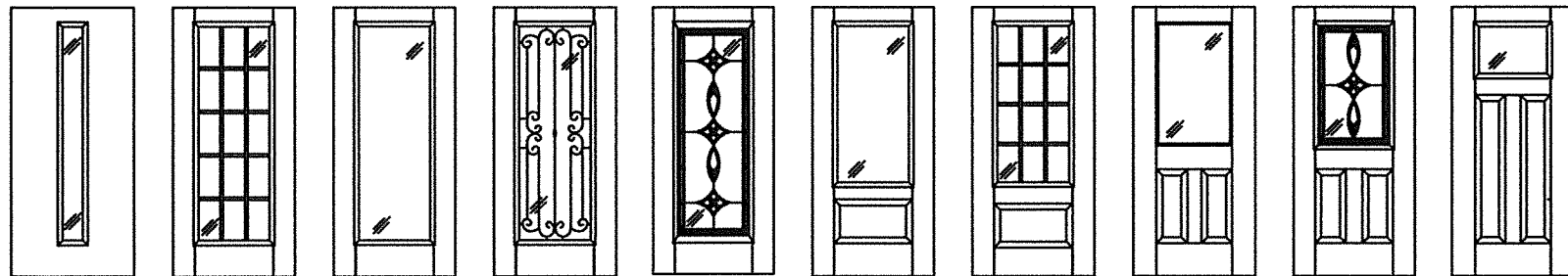
Documents Prepared By: Lyndon F. Schmidt, P.E.
 TEXAS P.E. #104123

RW BUILDING CONSULTANTS, INC.
 P.O. Box 230 Valrico FL 33595
 Phone No.: 813.659.9197

TEXAS BOARD OF PROFESSIONAL ENGINEERS
 CERTIFICATE OF REGISTRATION # F-11852

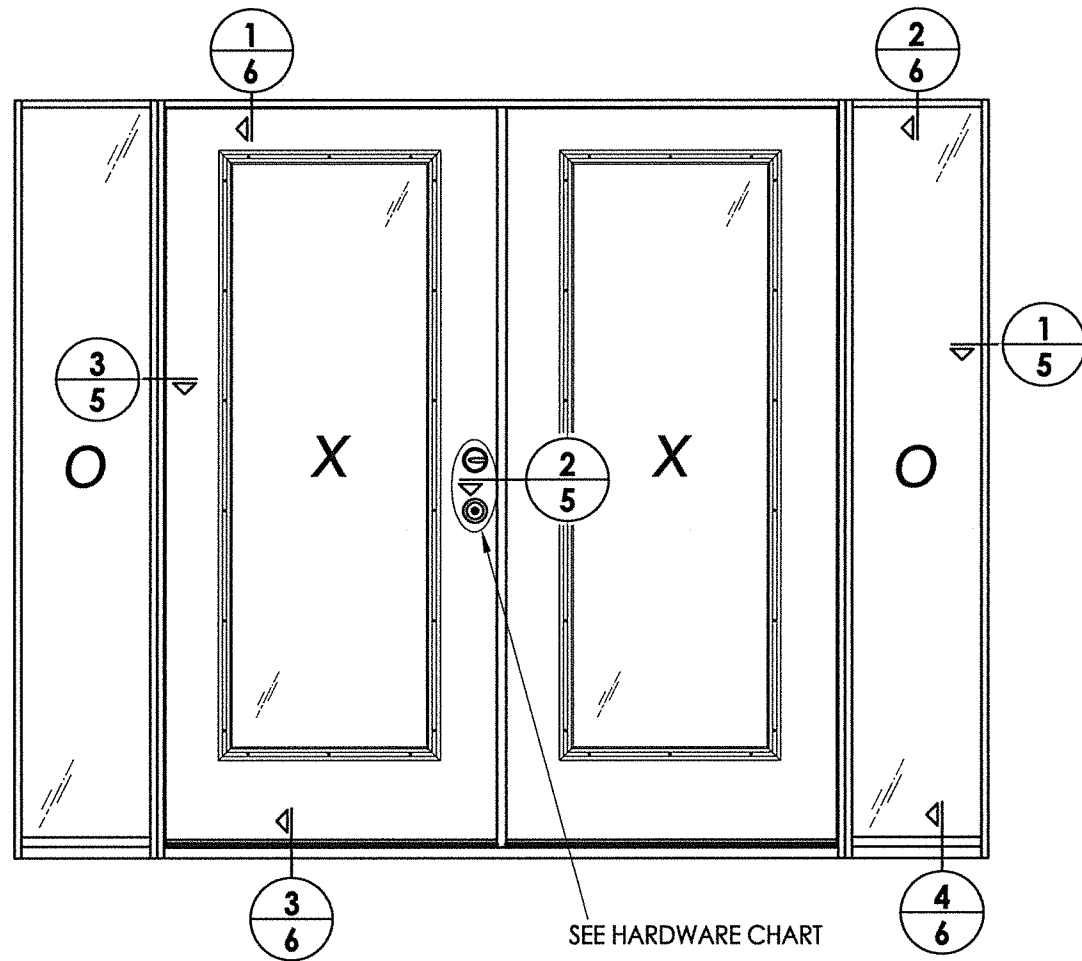


PRODUCT: THERMA-TRU FIBERGLASS DOOR	
PART OR ASSEMBLY: SIDELITE PANEL DETAILS	
NO.	DATE
BY	REVISIONS
DATE: 1/06/21	
SCALE: N.T.S.	
DWG. BY: RW	
CHK. BY: LFS	
DRAWING NO.: TX-5143	
SHEET 3 OF 10	



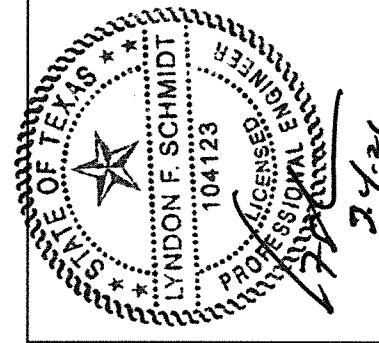
Fiber-Classic/Smooth-Star Door Panel Options

Panel options shown are for illustration and are representative only
(similar glazed panel configurations are allowed)



ELEVATION
OXXO

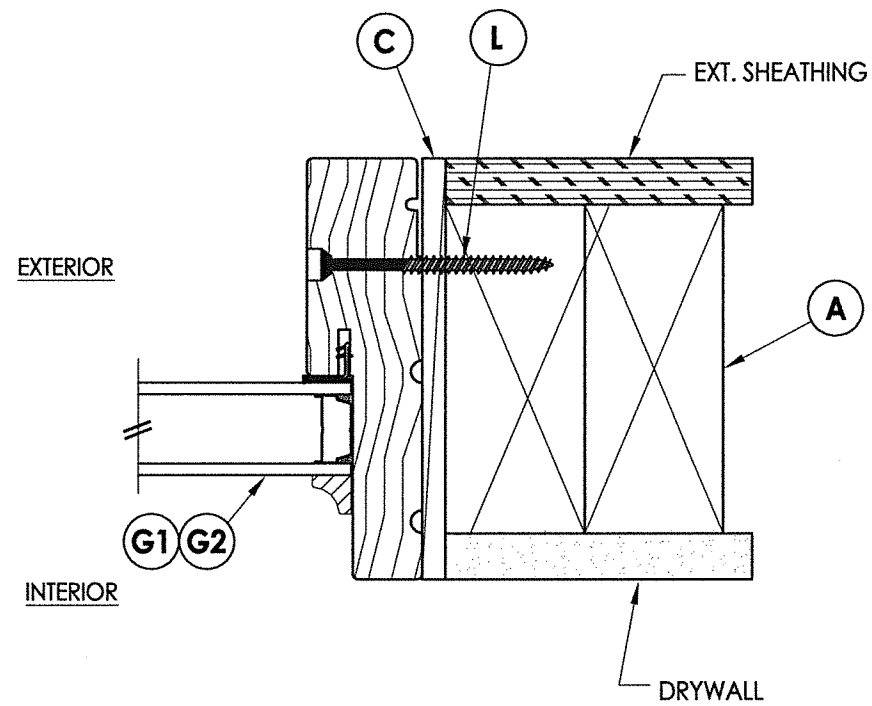
HARDWARE TABLE	
MANUFACTURER	MODEL
SCHLAGE	KNOB: F51 DEADBOLT: B60
KWIKSET	KNOB: SIGNATURE SERIES DEADBOLT: SIGNATURE SERIES (980)



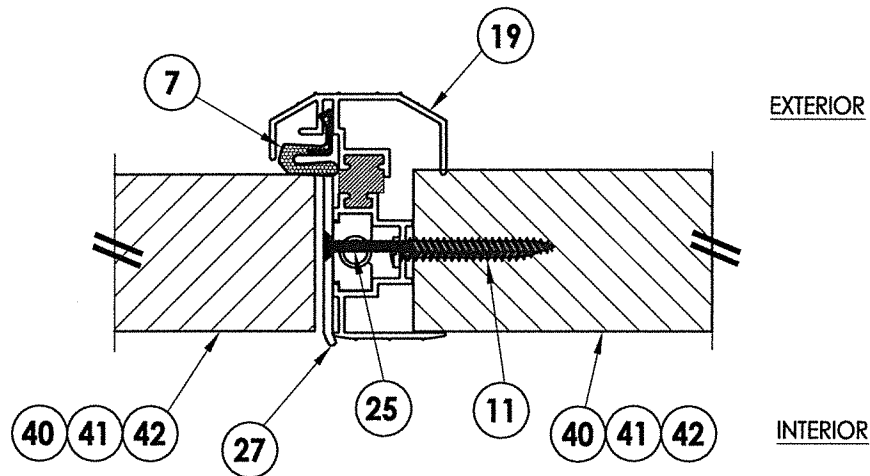
Documents Prepared By: Lyndon F. Schmidt, P.E.
TEXAS P.E. #104123

RW BUILDING CONSULTANTS, INC.
P.O. Box 230 Valrico FL 33595
Phone No.: 813.659.9197
TEXAS BOARD OF PROFESSIONAL ENGINEERS
CERTIFICATE OF REGISTRATION # F-11852

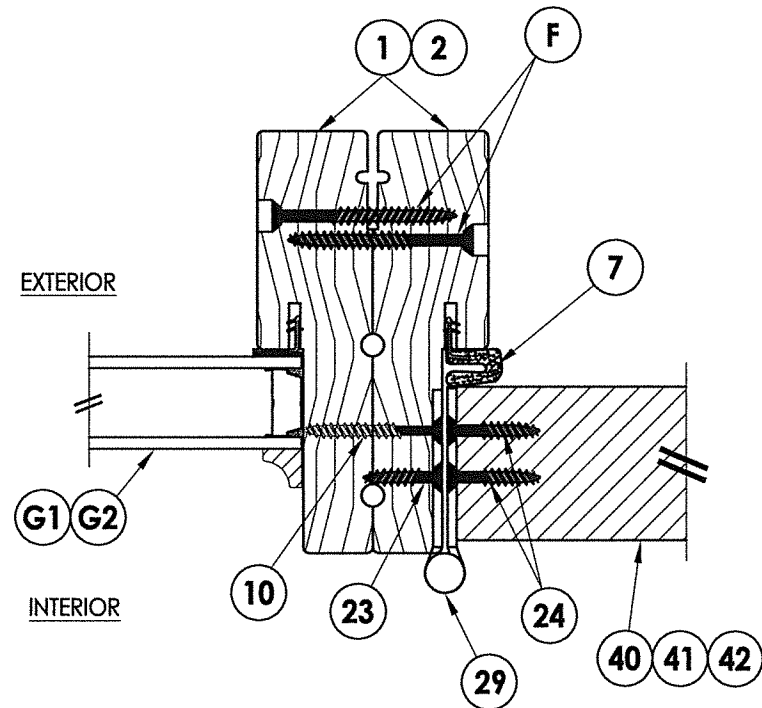
PRODUCT: THERMA-TRU FIBERGLASS DOOR	
PART OR ASSEMBLY: ELEVATIONS	
NO.	DATE
BY	REVISIONS
DATE: 1/06/21	
SCALE: N.T.S.	
DWG. BY: RW	
CHK. BY: LFS	
DRAWING NO.: TX-5143	
SHEET 4 OF 10	



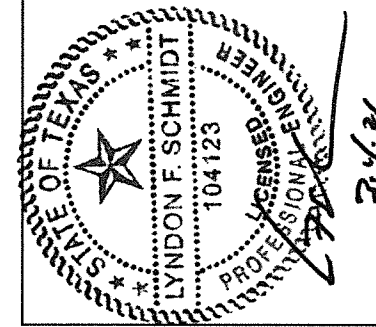
1
5 **HORIZONTAL CROSS SECTION**



2
5 **HORIZONTAL CROSS SECTION**



3
5 **HORIZONTAL CROSS SECTION**
Shown w/ Back-to-Back Jambs



Documents Prepared By: Lyndon F. Schmidt, P.E.
TEXAS P.E. #104123

R.W. BUILDING CONSULTANTS, INC.
P.O. Box 230 Valrico FL 33595
Phone No.: 813.659.9197

TEXAS BOARD OF PROFESSIONAL ENGINEERS
CERTIFICATE OF REGISTRATION # F-11852

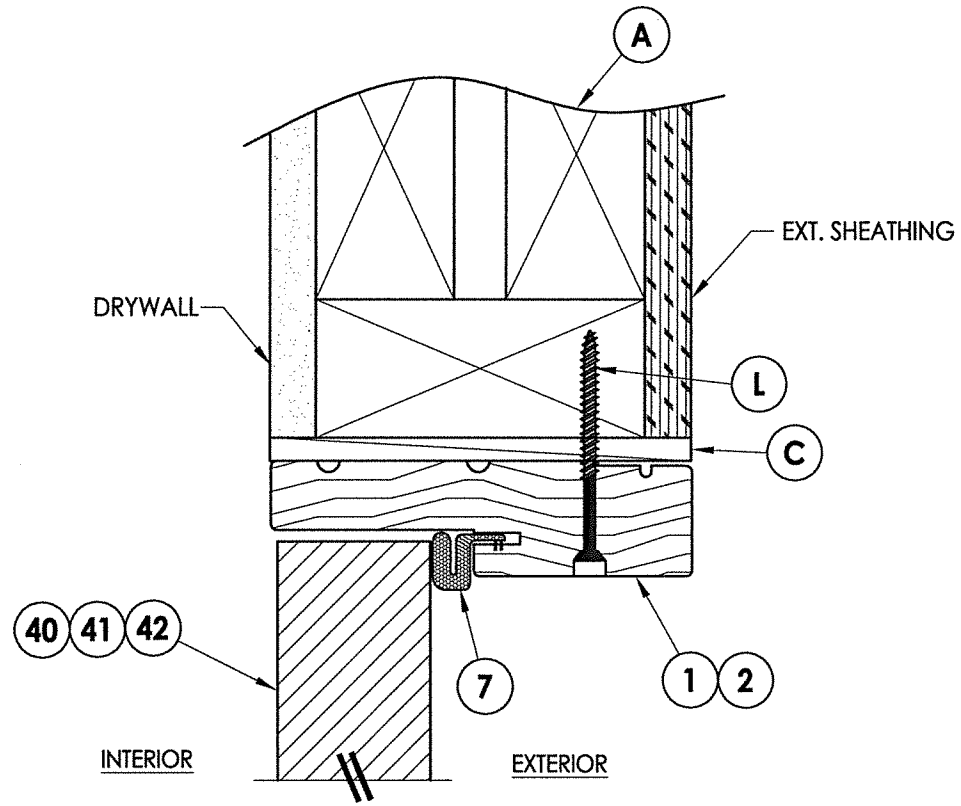
PRODUCT: THERMA-TRU
FIBERGLASS DOOR
PART OR ASSEMBLY:
HORIZONTAL
CROSS SECTIONS

NO.	DATE	REVISIONS	BY

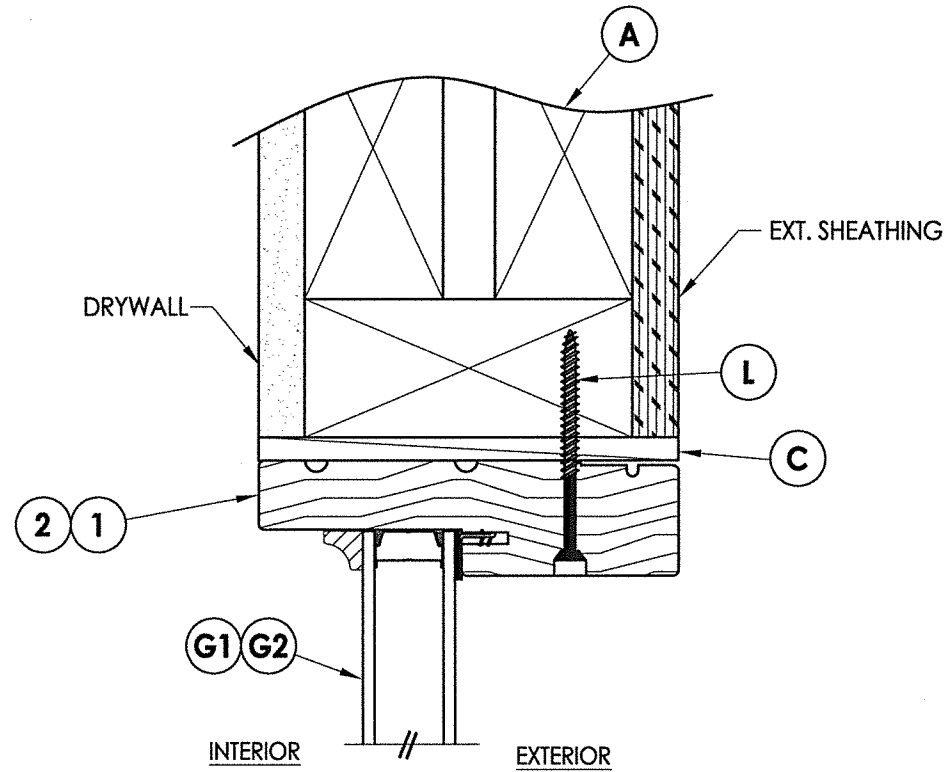
DATE: 1/06/21
SCALE: N.T.S.
DWG. BY: RW
CHK. BY: LFS
DRAWING NO.: TX-5143
SHEET 5 OF 10

Note:

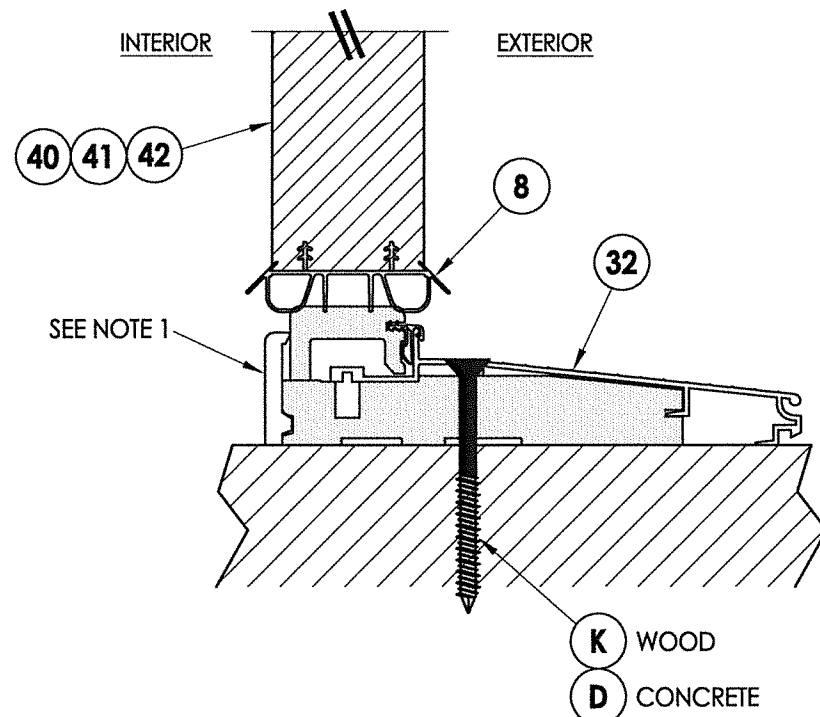
1. Sill Item #'s 32 & 33 are attached to jambs w/ (3) #8 X 2-1/2" pfh screws at each end.



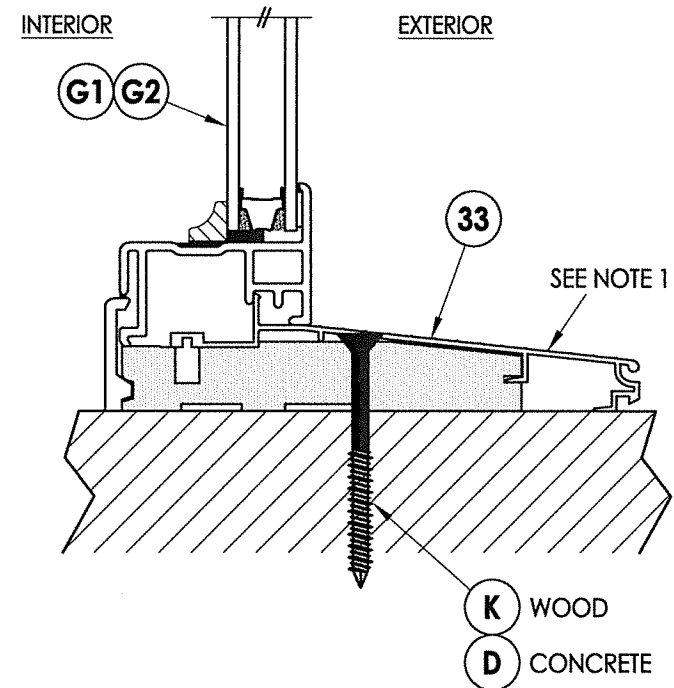
1
6 VERTICAL CROSS SECTION



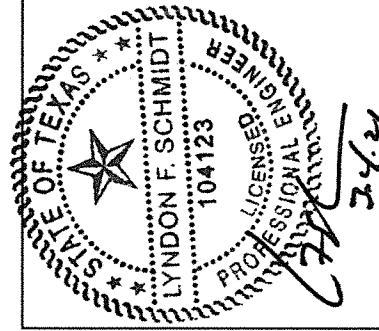
2
6 VERTICAL CROSS SECTION



3
6 VERTICAL CROSS SECTION
Inswing Sill



4
6 VERTICAL CROSS SECTION
Inswing Sill



Documents Prepared By: Lyndon F. Schmidt, P.E.
TEXAS P.E. #104123

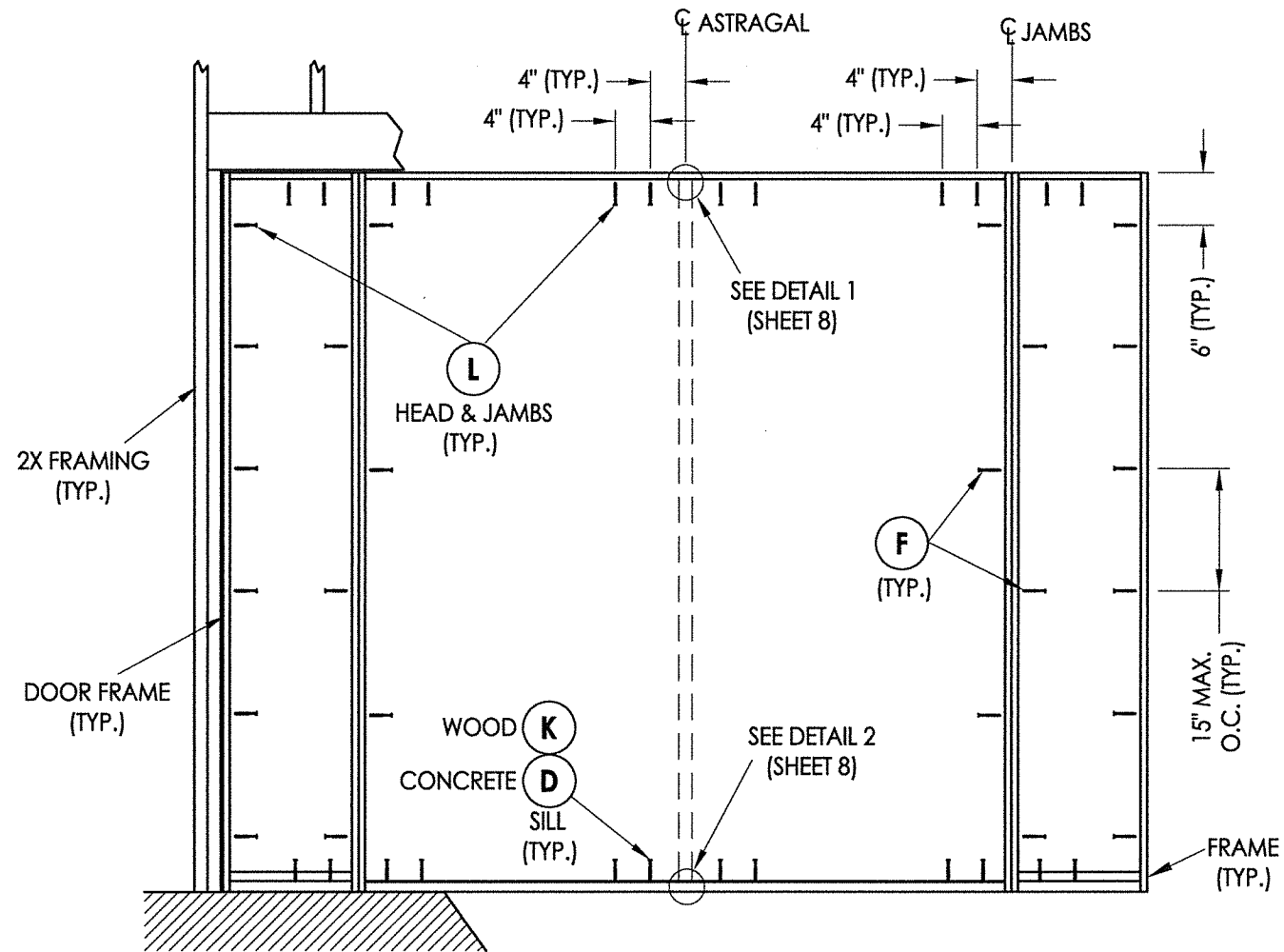
RW BUILDING CONSULTANTS, INC.
P.O. Box 230 Vairico FL 33595
Phone No.: 813.659.9197

TEXAS BOARD OF PROFESSIONAL ENGINEERS
CERTIFICATE OF REGISTRATION # F-11852

PRODUCT: THERMA-TRU
FIBERGLASS DOOR
PART OR ASSEMBLY: VERTICAL
CROSS SECTIONS

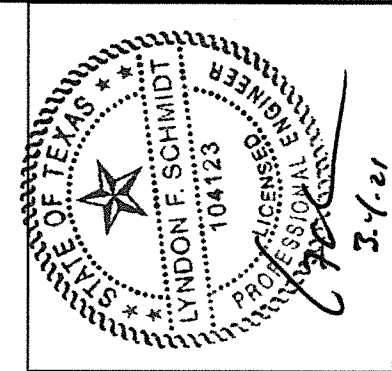
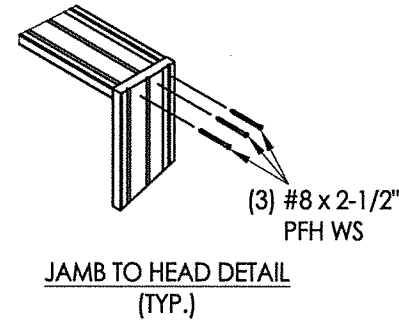
NO.	DATE	BY	REVISIONS

DATE: 1/06/21
SCALE: N.T.S.
DWG. BY: RW
CHK. BY: LFS
DRAWING NO.: TX-5143
SHEET 6 of 10



OXXO

FRAME ANCHORING



Documents Prepared By: Lyndon F. Schmidt, P.E.
TEXAS P.E. #104123

RW BUILDING CONSULTANTS, INC.
P.O. Box 230 Valrico FL 33595
Phone No.: 813.699.9197

TEXAS BOARD OF PROFESSIONAL ENGINEERS
CERTIFICATE OF REGISTRATION # F-11852

PRODUCT:	Therma-TRU FIBERGLASS DOOR		
PART OR ASSEMBLY:	FRAME ANCHORING		
NO.	DATE	BY	REVISIONS

DATE: 1/06/21

SCALE: N.T.S.

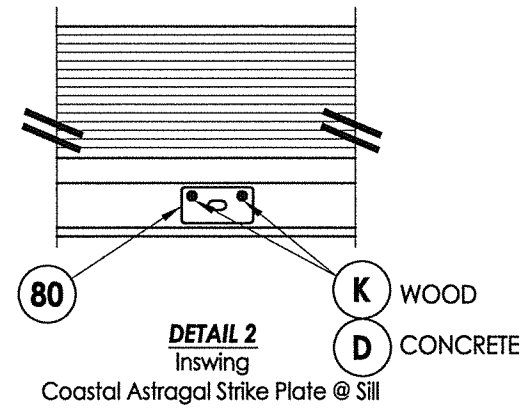
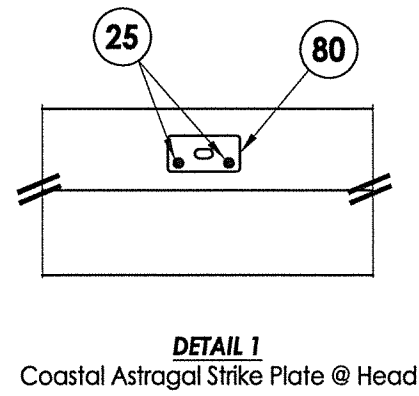
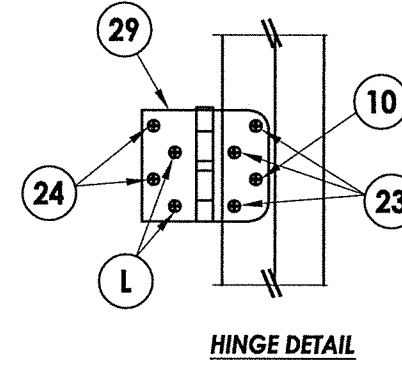
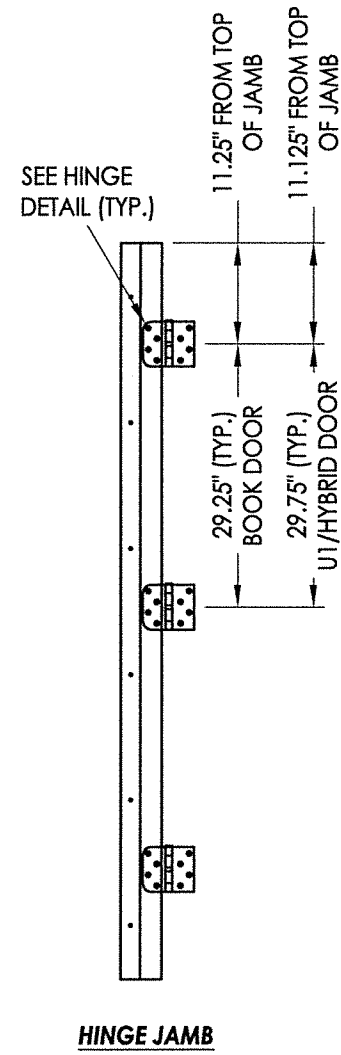
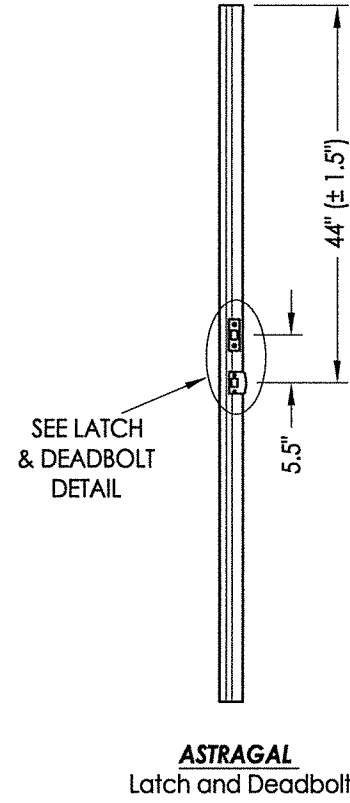
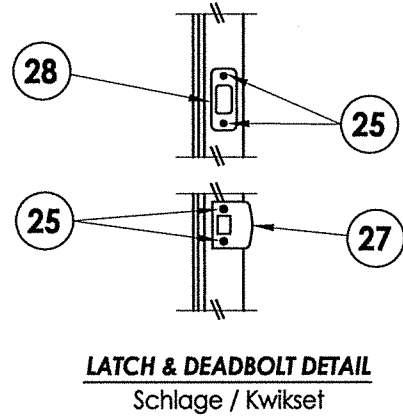
DWG. BY: RW

CHK. BY: LFS

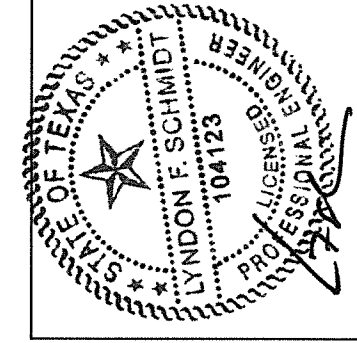
DRAWING NO.:

TX-5143

SHEET 7 OF 10



LATCH & DEADBOLT STRIKE DETAILS



Documents Prepared By: Lyndon F. Schmidt, P.E.
TEXAS P.E. #104123

RW BUILDING CONSULTANTS, INC.
P.O. Box 230 Vairico FL 33595
Phone No.: 813.659.9197

TEXAS BOARD OF PROFESSIONAL ENGINEERS
CERTIFICATE OF REGISTRATION # F-11852

PRODUCT: THERMA-TRU FIBERGLASS DOOR

PART OR ASSEMBLY: HARDWARE DETAILS

NO.	DATE	BY	REVISIONS

DATE: 1/06/21

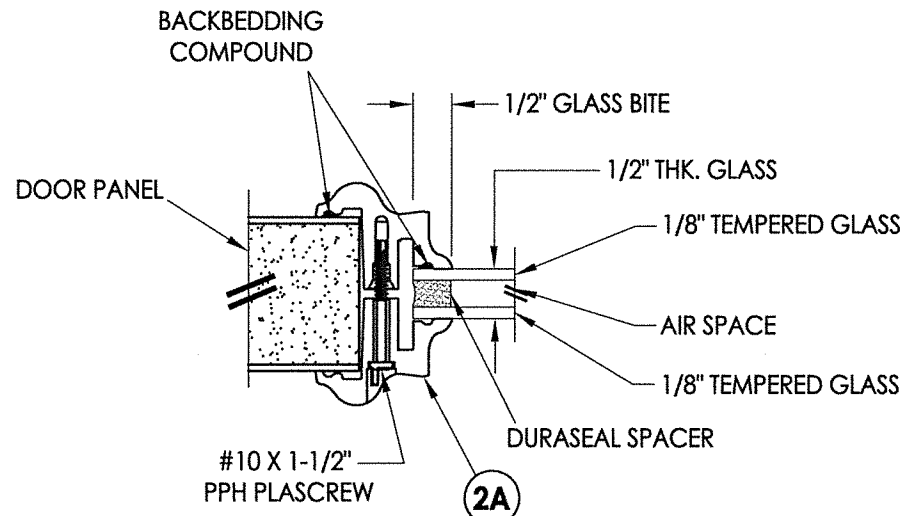
SCALE: N.T.S.

DWG. BY: RW

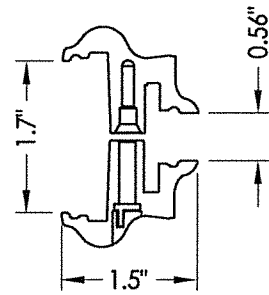
CHK. BY: LFS

DRAWING NO.: TX-5143

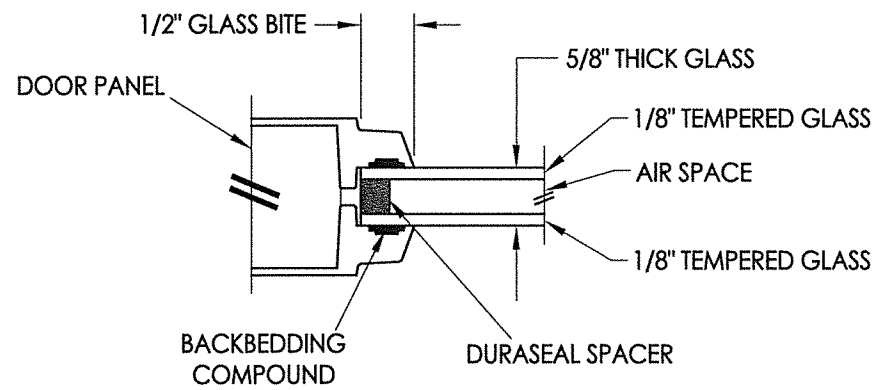
SHEET 8 OF 10



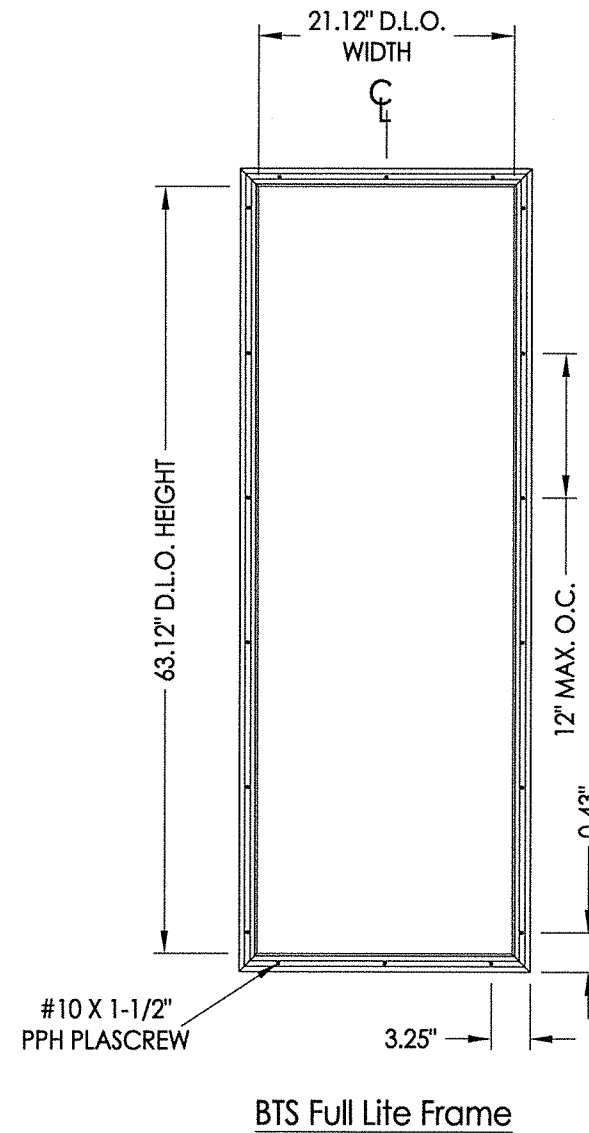
G1 GLAZING DETAIL
BTS Lite Frame
Door Panels



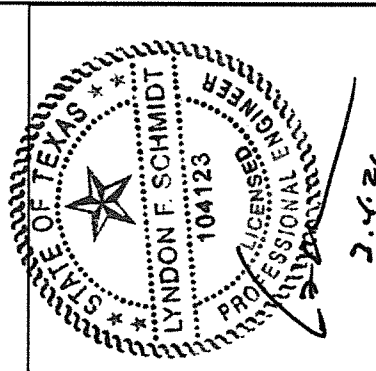
2A BTS LITE FRAME
1/2" Glazing



G2 GLAZING DETAIL
Flush Glazing
Door Panels



BTS Full Lite Frame



Documents Prepared By: Lyndon F. Schmidt, P.E.
TEXAS P.E. #104123

RW BUILDING CONSULTANTS, INC.
P.O. Box 230 Valrico FL 33595
Phone No.: 813.659.9197

TEXAS BOARD OF PROFESSIONAL ENGINEERS
CERTIFICATE OF REGISTRATION # F-11852

PRODUCT: THERMA-TRU
FIBERGLASS DOOR

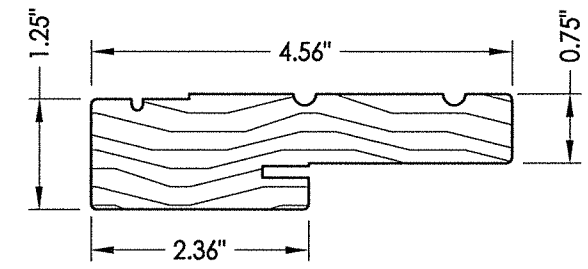
PART OR ASSEMBLY:
GLAZING DETAILS

NO.	DATE	BY	REVISIONS

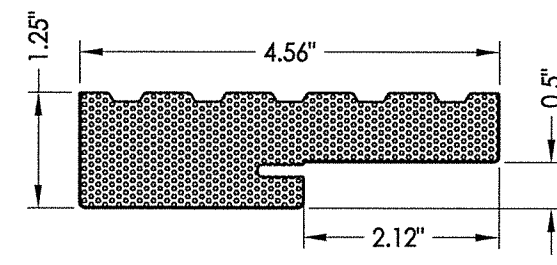
DATE: 1/06/21
SCALE: N.T.S.
DWG. BY: RW
CHK. BY: LFS
DRAWING NO.: TX-5143
SHEET 9 OF 10

Z:\Clients\Therma Tru PERMANENT\B - Texas Dept of Ins\TDI - DR XXX - 6'8, 7' & 8' Glazed FG NonImp IS Dir Set Sidelites (TX 5140-5145)\C - Drawings\TX-5142-43.dwg

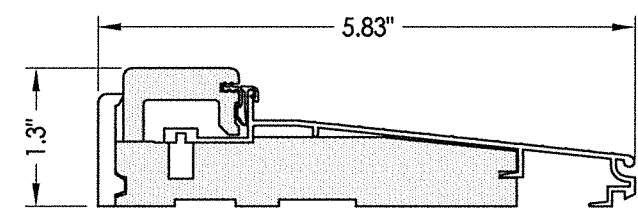
BILL OF MATERIALS		
ITEM #	DESCRIPTION	MATERIAL
B	2X BUCK (G >= 0.42)	WOOD
C	1/4" MAX. SHIM SPACE	-
D	1/4" PFH DeWALT OR ITW CONCRETE SCREW	STEEL
F	#10 X 2" PFH WOOD SCREW	STEEL
L	#10 X 2-1/2" PFH WOOD SCREW (1.15" MIN. EMBEDMENT)	STEEL
1	WOOD JAMB (FINGER JOINT PINE)	WOOD
2	COMPOSITE JAMB	COMP
7	WEATHERSTRIP	FOAM
8	DOOR SWEEP	VINYL
10	#10 X 1-1/2" PFH WOOD SCREW	STEEL
19	STANDARD ALUMINUM ASTRAGAL	ALUM
22	#8 X 3/4" PFH WOOD SCREW	STEEL
23	#9 X 3/4" PFH WOOD SCREW	STEEL
24	#9 X 1" PFH WOOD SCREW	STEEL
25	#8 X 1-1/2" PFH WOOD SCREW	STEEL
26	#8 X 5/8" PFH WOOD SCREW	STEEL
27	LATCH STRIKE PLATE	STEEL
28	DEADBOLT STRIKE PLATE	STEEL
28A	DEADBOLT SUB STRIKE PLATE	STEEL
29	4" X 4" HINGE	STEEL
32	INSWING THRESHOLD	ALUM/COMP
33	INSWING THRESHOLD w/ SIDELITE ADAPTER	ALUM/COMP
40	DOOR PANEL (BOOK)	-
41	DOOR PANEL (HYBRID)	-
42	DOOR PANEL (U1)	-
50	SIDELITE PANEL	-
80	ASTRAGAL STRIKE PLATE	STEEL



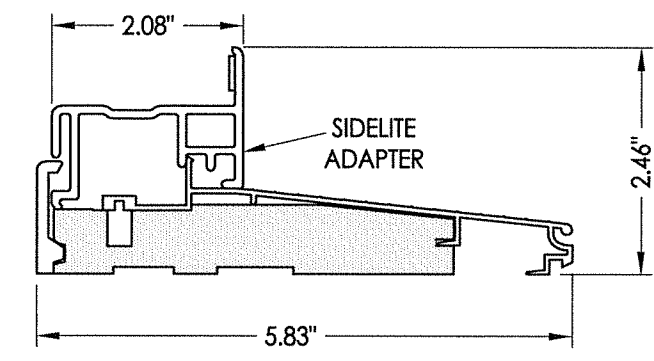
1 WOOD JAMB



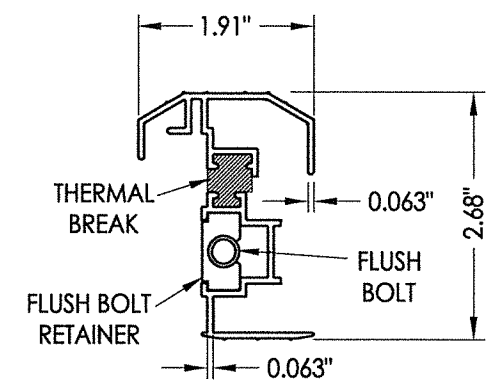
2 COMPOSITE JAMB



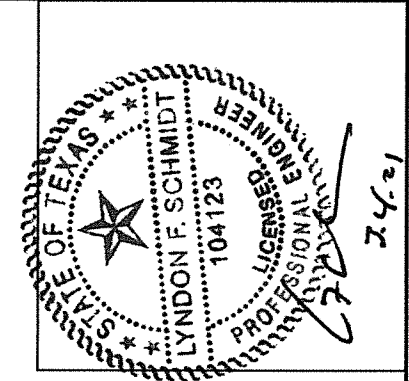
32 INSWING THRESHOLD
Adjustable Composite Sill



33 INSWING THRESHOLD w/ SIDELITE ADAPTER
Composite Sill



19 STANDARD ALUMINUM ASTRAGAL



Documents Prepared By: Lyndon F. Schmidt, P.E.
TEXAS P.E. #104123

RW BUILDING CONSULTANTS, INC.
P.O. Box 230 Valrico FL 33595
Phone No.: 813.659.9197

TEXAS BOARD OF PROFESSIONAL ENGINEERS
CERTIFICATE OF REGISTRATION # F-11852

PRODUCT: THERMA-TRU FIBERGLASS DOOR
PART OR ASSEMBLY: BILL OF MATERIALS & COMPONENTS

NO.	DATE	BY	REVISIONS

DATE: 1/06/21
SCALE: N.T.S.
DWG. BY: RW
CHK. BY: LFS
DRAWING NO.: TX-5143
SHEET 10 OF 10

CONCRETE ANCHOR NOTES:

- Concrete anchor locations at the corners may be adjusted to maintain the min. edge distance to mortar joints.
- Concrete anchor locations noted as "MAX. ON CENTER" must be adjusted to maintain the min. edge distance to mortar joints, additional concrete anchors may be required to ensure the "MAX. ON CENTER" dimension are not exceeded.
- Concrete anchor table:

ANCHOR TYPE	ANCHOR SIZE	MIN. EMBEDMENT	MIN. CLEARANCE TO MASONRY EDGE	MIN. CLEARANCE TO ADJACENT ANCHOR
ITW TAPCON®	1/4"	1-3/4"	2"	4"
DeWALT ULTRACON®	1/4"	1-3/4"	1"	4"

WOOD SCREW INSTALLATION NOTES:

- Maintain a minimum 5/8" edge distance, 1" end distance, & 1" o.c. spacing of wood screws to prevent the splitting of wood.